

DRL4813*1
DRL4813*1-2

**DelRay
Linear**



MONTIGO / DELRAY / DRL4813NI-2 / SPECKLED STONES + DRIFTWOOD

Features

- 4"/7" venting system
- 14 1/4" framing depth
- Flush face design

BTU LISTING

- DRL4813NI / 21,000 BTU
- DRL4813NI-2 / 21,000 BTU
- DRL4813LI / 19,000 BTU
- DRL4813LI-2 / 19,000 BTU

EFFICIENCY

- DRL4813NI / 63% P.4, 1-15
- DRL4813NI-2 / 63% P.4, 1-15
- DRL4813LI / 60% P.4, 1-15
- DRL4813LI-2 / 60% P.4, 1-15

DELRAY LINEAR

Standard

Linear burner + Ice fireglass

Proflame 2 BASIC control module

Options

- Propane conversion kit
- Remote control
- Fan kit
- Reflective black glass panels
- Invisimesh screen

DELRAY LINEAR FULL LOAD

Standard

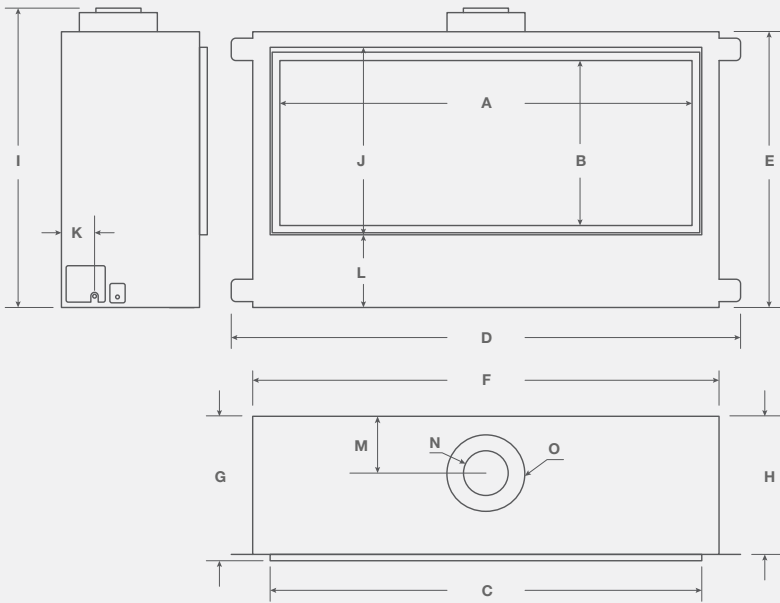
Linear burner + Ice fireglass

Full feature Proflame 2 remote control

- Remote controlled fans
- Reflective black glass panels
- Halogen downlighting
- Invisimesh screen

Options

- Propane conversion kit



	A	B	C	D	E	F	G	H	I	J	K	L	M	N	O	P	Q	R
DRL48	48 1/2	14 1/16	50 3/16	57 1/4	24 1/2	53 3/16	12 3/4	12 1/16	26 3/4	16 5/8	3 1/8	6 1/16	5	4	7	34	14 1/4	55 3/8

SPECS

	Gas Supply Pressure NG (shown in w.c.)	Gas Supply Pressure LP (shown in w.c.)	Venting	Clearance Top	Clearance Sides	Clearance Back	Clearance Floor	Front viewing area	Front glass type	Standard media	Remote control	Fans	Downlighting	Invisimesh Screen
DRL4813*1-2	5.5	13	4"/7"	21	1	2	0	48 1/2 x 14 1/16	Borosil.	HW1157	o	o	o	o
DRL4813*1	5.5	13	4"/7"	21	1	2	0	48 1/2 x 14 1/16	Borosil.	HW1157	+	+	-	+

QUICK DIMENSION CHART

DRL3613		DRL4813	
ACTUAL	FRAMING	ACTUAL	FRAMING
45 1/4	43 3/8	F.WIDTH	57 1/4 55 3/8
41 3/8	43 3/8	B.WIDTH	53 7/16 55 3/8
26 3/4	33 1/16	HEIGHT	26 3/4 33 1/16
12 3/4	14 1/4	DEPTH	12 3/4 14 1/4
36 1/2 x 14 1/16		VIEWING	48 1/2 x 14 1/16