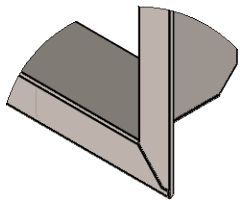
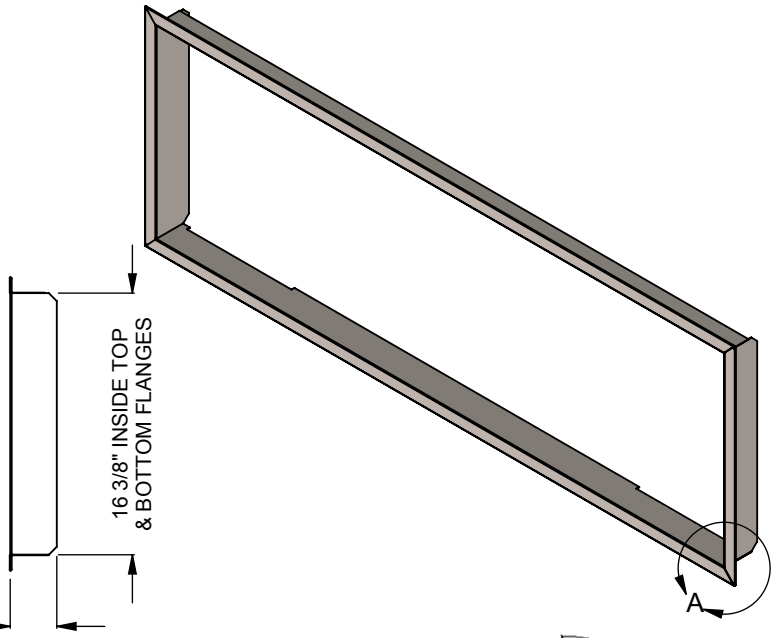
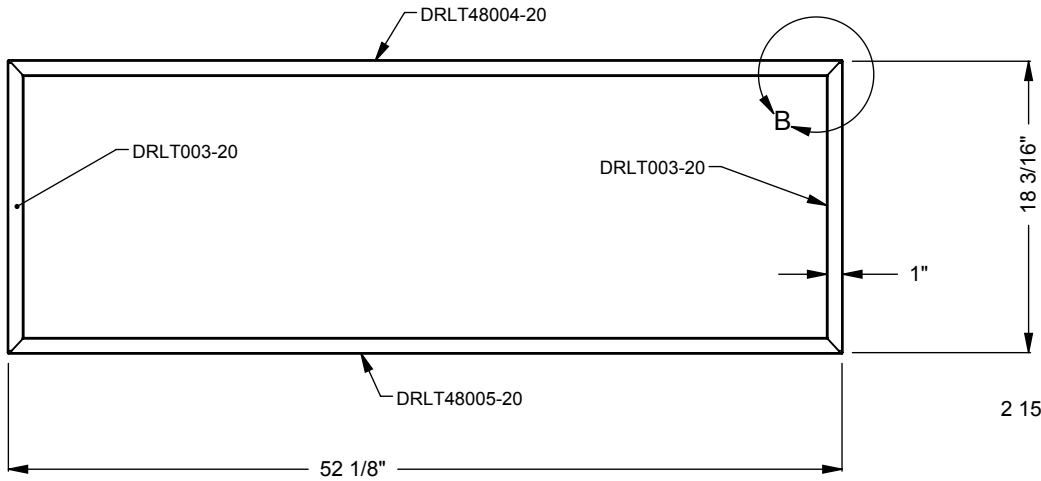
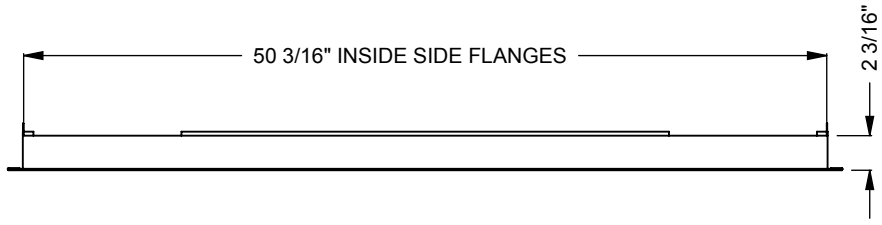
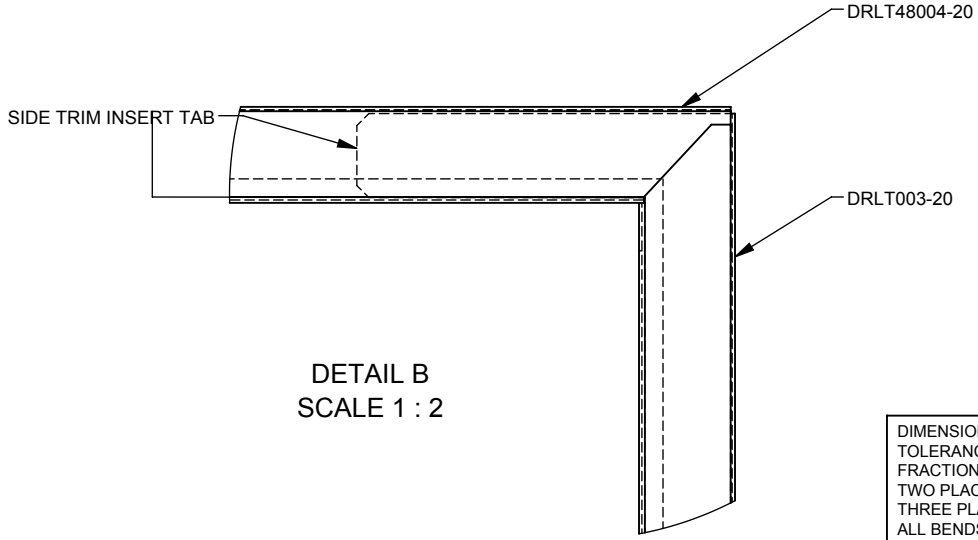


ITEM NO.	PART NUMBER	DESCRIPTION	QTY.	REVISION	MATERIAL
1	DRLT48004-20	TOP TRIM	1	B	SATIN/22
2	DRLT48005-20	BOTTOM TRIM	1	A	SATIN/22
3	DRLT003-20	SIDE TRIM	2	B	SATIN/22



DETAIL A
SCALE 1 : 4



DETAIL B
SCALE 1 : 2

DRL48 TRIM KIT 1.5" - 2"

DIMENSIONS ARE IN INCHES		NAME	DATE
TOLERANCES:		DRAWN BY	DB
FRACTIONAL ± 1/32"		CHECKED BY	2/6/2020
TWO PLACE DECIMAL ± .015"		MATERIAL	MTK
THREE PLACE DECIMAL ± .005"		K-FACTOR	
ALL BENDS ARE ASSUMED TO BE 90° UNLESS NOTED OTHERWISE.			

		REV.
		A
SIZE	DWG. NO.	
A	DRL48 1.5-2in TRIM FRAME ASSY	
SCALE 1:12	WEIGHT:	SHEET 1 OF 2