



WARRANTY REGISTRATION  
enviro.com/warranty

# G39LI / G39LID

DIRECT VENT FIREPLACE - IPI

## OWNER'S MANUAL



Intertek

C#4001609

**WARNING:** If the information in this manual is not followed exactly, a fire or explosion may result causing property damage, personal injury or loss of life. Installation and service must be performed by a qualified installer, service agency or the gas supplier.

CERTIFIED TO: ANSI Z21.88 / CSA 2.33 VENTED GAS FIREPLACE HEATERS

CSA 2.17 GAS FIRED APPLIANCES FOR HIGH ALTITUDES

Fr Version Française: [www.enviro.com/fr.html](http://www.enviro.com/fr.html)

50-3581

# SAFETY PRECAUTIONS

---



## **WARNING:**

### **FIRE OR EXPLOSION HAZARD**

**Failure to follow safety warnings exactly could result in serious injury, death, or property damage.**

- **Do not store or use gasoline or other flammable vapours and liquids in the vicinity of this or any other appliance.**
  
- **WHAT TO DO IF YOU SMELL GAS**
  - **Do not try to light any appliance.**
  - **Do not touch any electrical switch; do not use any phone in your building.**
  - **Leave the building immediately.**
  - **Immediately call your gas supplier from a neighbor's phone. Follow the gas supplier's instructions.**
  - **If you cannot reach your gas supplier, call the fire department.**
  
- **Installation and service must be performed by a qualified installer, service agency or the gas supplier.**

### **INSTALLER:**

Leave this manual with the appliance.

### **CONSUMER:**

Retain this manual for future reference.

This appliance may be installed in an after-market permanently located, manufactured (mobile) home, where not prohibited by local codes.

This appliance is only for use with the type of gas indicated on the rating plate. This appliance is not convertible for use with other gases, unless a certified kit is used.

Only doors certified with the appliance shall be used

Massachusetts installations (Warning): This product must be installed by a licensed plumber or gas fitter when installed within the Commonwealth of Massachusetts. Other Massachusetts code requirements: Flexible connector must not be longer than 36in., a shut off valve must be installed; only direct vent sealed combustion products are approved for bedrooms/bathrooms. A carbon monoxide detector is required in all rooms containing gas fired direct vent appliances. The fireplace damper must be removed or welded in the open position prior to installation of a fireplace insert.

# SAFETY PRECAUTIONS

FOR SAFE INSTALLATION AND OPERATION OF YOUR "ENVIRO" HEATER, PLEASE CAREFULLY READ THE FOLLOWING INFORMATION:

- All ENVIRO gas-fired appliances must be installed in accordance with their instructions. Carefully read all the instructions in this manual first. Consult the building authority having jurisdiction to determine the need for a permit prior to commencing the installation.
- **NOTE:** Failure to follow these instructions could cause a malfunction of the fireplace, which could result in death, serious bodily injury, and/or property damage.
- Failure to follow these instructions may also void your fire insurance and/or warranty.

## GENERAL

• Installation and repair should be done by a qualified service person. The appliance should be inspected before the first use and, at least, annually by a qualified service person. More frequent cleaning may be required due to excessive lint from carpeting, bedding material, etc. It is imperative the control compartments, burners and circulating air passageways of the appliance be kept clean.

• Due to high temperatures, the appliance should be located out of high traffic areas and away from furniture and draperies.

**Children and adults should be alerted to the hazards of high surface temperatures and should stay away to avoid burn or clothing ignition.**

• Young children should be carefully supervised when in the same room as the appliance. Toddlers, young children and others may be susceptible to accidental contact burns. A physical barrier is required if there is a risk for individuals in the house. To restrict access to a fireplace or stove install an adjustable safety gate to keep toddlers, young children and other at risk individuals out of the room and away from hot surfaces. Any safety screen, guard, or barrier removed for servicing an appliance must be replaced prior to operating the appliance.

• Clothing or other flammable materials should not be placed on or near the appliance.

• A barrier designed to reduce the risk of burns from the hot viewing glass is provided with this appliance and shall be installed for the protection of children and other at-risk individuals. If the barrier becomes damaged, the barrier shall be replaced with the manufacturer's barrier for this appliance.

## FOR YOUR SAFETY

• Installation and service must be performed by a qualified installer, service agency or gas supplier.

• This installation must conform to local codes or, in the absence of local codes, with the National Fuel Gas Code, ANSI Z223.1/NFPA 54, or the Natural Gas and Propane Installation Code, CSA B149.1.

• To prevent injury, do not allow anyone who is unfamiliar with the stove to operate it.

**• To prevent injury, if the pilot or pilot and burners have gone out on their own, open the glass door and wait 5 minutes to air out before attempting to relight the stove.**

• Always keep the area around these appliances clear of combustible material, gasoline and other flammable liquids and vapours.

• These appliances should not be used as a drying rack for clothing or for hanging Christmas stockings/decorations.

• Due to the paint curing on the stove, a faint odor and slight smoking will likely be noticed when the stove is first used. Open a window until the smoking stops.

Always connect this gas stove to a vent system and vent to the outside of the building envelope. Never vent to another room or inside the building. Make sure the specified vent pipe is used, properly sized and of adequate height to provide sufficient draft. Inspect the venting system annually for blockage and signs of deterioration.

**WARNING:** Failure to position the parts in accordance with the diagrams in this booklet, or failure to use only parts specifically approved with this appliance, may result in property damage or personal injury.

**WARNING:** Do not operate with the glass front removed, cracked or broken. Replacement of the glass should be done by a licensed or qualified service person.

• Never use solid fuels such as wood, paper, cardboard, coal, or any flammable liquids, etc., in this appliance.

• Do not use this appliance if any part has been under water. Immediately call a qualified service technician to inspect the appliance and to replace any part of the control system or any gas control which has been under water.

• Do not abuse the glass by striking it or slamming the door shut.

• If the G39 unit is pulled out of its installation, and the vent-air intake system is disconnected for any reason, ensure that the vent-air intake pipes are reconnected and re-sealed in accordance to the instructions noted in INITIAL INSTALLATION - DIRECT VENT



**HOT GLASS WILL CAUSE BURNS**

**DO NOT TOUCH GLASS UNTIL COOLED.**

**NEVER ALLOW CHILDREN TO TOUCH GLASS.**



A barrier designed to reduce the risk of burns from the hot viewing glass is provided with this appliance and must be installed for the protection of children and other at-risk individuals.

# TABLE OF CONTENTS

---

|  |           |
|--|-----------|
| <b>Safety Precautions</b> .....                      | <b>2</b>  |
| <b>Table of Contents</b> .....                       | <b>4</b>  |
| <b>Codes And Approvals</b> .....                     | <b>6</b>  |
| <b>Specifications</b> .....                          | <b>7</b>  |
| G39 Dimensions: .....                                | 7         |
| Rating Label & Lighting Instructions Location: ..... | 7         |
| <b>Operating Instructions</b> .....                  | <b>8</b>  |
| Lighting and Instructions: .....                     | 8         |
| System Description: .....                            | 9         |
| Technical Data.....                                  | 9         |
| Remote Transmitter: .....                            | 9         |
| Integrated Fireplace Controller (IFC):.....          | 10        |
| Operating Procedure: .....                           | 11        |
| Normal Sounds During Operation:.....                 | 14        |
| Pilot Light (does not apply to G39LID models):.....  | 14        |
| Air Shutter (Venturi): .....                         | 14        |
| <b>Maintenance And Service</b> .....                 | <b>15</b> |
| Routine Maintenance: .....                           | 15        |
| Cleaning The Glass: .....                            | 15        |
| Cleaning The Firebox: .....                          | 15        |
| Replacing the Glass: .....                           | 15        |
| Cleaning Decorative Surfaces: .....                  | 16        |
| Surround Panel Removal: .....                        | 16        |
| Door Cover Removal: .....                            | 17        |
| Glass Door Removal: .....                            | 17        |
| Burner Removal:.....                                 | 18        |
| Ember Lights Removal: .....                          | 19        |
| Fuel Conversion:.....                                | 20        |
| Conversion Kit Installation:.....                    | 20        |
| <b>Initial Installation</b> .....                    | <b>22</b> |
| Introduction: .....                                  | 22        |
| Unit Install Preparation: .....                      | 22        |
| Placement and Framing: .....                         | 24        |
| Finishing a Fireplace: .....                         | 25        |
| Cool Surface Activation: .....                       | 26        |
| Cool Surface Install Options: .....                  | 28        |
| Flat Wall Installation: .....                        | 31        |
| Recess Installation.....                             | 32        |
| Corner Installation: .....                           | 33        |
| Outdoor Install: .....                               | 34        |
| Floor Protection: .....                              | 35        |
| Mantel Requirements: .....                           | 35        |
| Minimum Venting Requirements: .....                  | 36        |
| Flex Venting: .....                                  | 37        |

# TABLE OF CONTENTS

---

|   |           |
|---|-----------|
| Clearances & Non-Combustible :          | 38        |
| TV Installation Considerations:         | 39        |
| Vent Termination Restrictions:          | 40        |
| Direct Vent:                            | 40        |
| General Venting Clearances:             | 41        |
| Approved Venting Parts:                 | 42        |
| Allowable Co-Axial Vent Configurations: | 43        |
| Exhaust Restrictor Setting:             | 45        |
| Horizontal Termination:                 | 46        |
| Vertical Termination:                   | 47        |
| Gas Line Connection and Testing:        | 49        |
| Electrical Requirements:                | 50        |
| <b>Secondary Installation</b>           | <b>51</b> |
| Panel and Media Installation:           | 51        |
| Log Set Installation:                   | 52        |
| <b>Troubleshooting</b>                  | <b>55</b> |
| <b>Parts List</b>                       | <b>56</b> |
| <b>Parts Diagram</b>                    | <b>57</b> |

# CODES AND APPROVALS

---

**DIRECT VENT ONLY:** This type is identified by the suffix DV. This appliance draws all of its air for combustion from outside the dwelling, through a specially designed vent pipe system.

This appliance has been tested and approved for installations from 0 feet to 4500 feet (1372 m) above sea level.

**In the USA:** The appliance may be installed at higher altitudes. Please refer to your American Gas Association guidelines which state: the sea level rated input of Gas Designed Appliances installed at elevations above 2000 (610 m) feet is to be reduced 4% for each 1000 feet (305 m) above sea level. Refer also to local authorities or codes which have jurisdiction in your area regarding the de-rate guidelines.

**In Canada:** When the appliance is installed at elevations above 4500 feet (1372 m), the certified high altitude rating shall be reduced at the rate of 4% for each additional 1000 feet (305 m).

- This appliance has been tested by INTERTEK and found to comply with the established VENTED GAS FIREPLACE HEATER standards in CANADA and the USA as follows:

## VENTED GAS FIREPLACE HEATER (G39; NATURAL GAS, PROPANE GAS)

TESTED TO: ANSI Z21.88 / CSA 2.33 VENTED GAS FIREPLACE HEATERS

CSA 2.17 GAS FIRED APPLIANCES FOR HIGH ALTITUDES

### This ENVIRO G39 Fireplace:

- Has been certified for use with either natural gas or propane (see rating label).
- Is not for use with solid fuels.
- Is approved for a bedroom or bed sitting room. (**IN CANADA:** must be installed with a listed wall thermostat. **IN USA:** see current ANSI Z223.1 for installation instructions.)
- Must be installed in accordance with local codes. If none exist, use current installation code CAN/CGA B149.1 in Canada or ANSI Z223.1/NFPA 54 in the USA.
- Must be properly connected to an approved venting system and not connected to a chimney flue serving a separate solid-fuel burning appliance.

**IMPORTANT NOTICE (Regarding first fire up):** When the unit is turned on for the first time, it should be turned onto high without the fan on (if equipped) for the first 4 hours. This will cure the paint, logs, gasket material and other products used in the manufacturing process. It is advisable to open a window or door, as the unit will start to smoke and can irritate some people. After the unit has gone through the first burn, turn the unit off including the pilot, let the unit get cold then remove the glass door and clean it with a good gas fireplace glass cleaner, available at your local ENVIRO dealer.



# SPECIFICATIONS

## G39 DIMENSIONS:

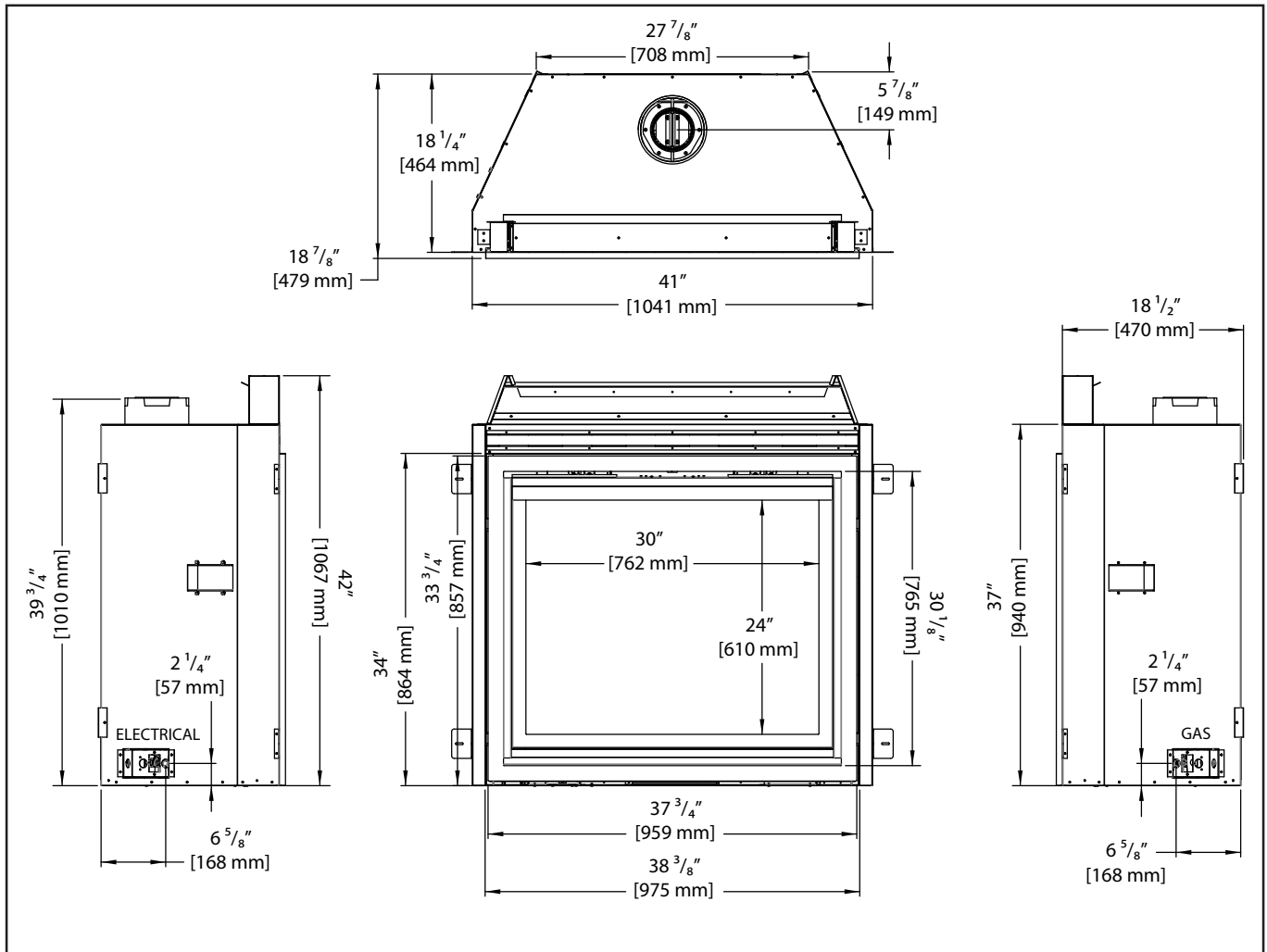


Figure 1: G39 Dimensions

## RATING LABEL & LIGHTING INSTRUCTIONS LOCATION:

Remove the surround completely to access the rating label and lighting instructions. The sheet is attached to a length of chain and are never to be tampered with or removed. All important information for your fireplace is on this label as well as the model specific serial number which you will need for warranty information. The sheet is located inside the cabinet under the gas valve.

# OPERATING INSTRUCTIONS

## For Your Safety, Read Safety Precautions And Lighting Instructions Before Operating

**WARNING: IF YOU DO NOT FOLLOW THESE INSTRUCTIONS EXACTLY A FIRE OR EXPLOSION MAY RESULT, CAUSING PROPERTY DAMAGE, PERSONAL INJURY OF LOSS OF LIFE.**

### LIGHTING AND INSTRUCTIONS:

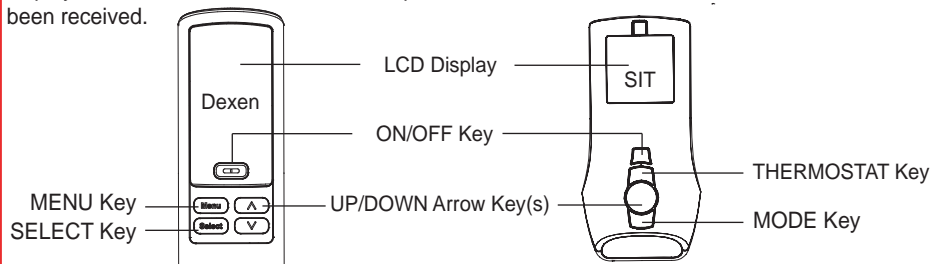
#### FOR YOUR SAFETY READ BEFORE OPERATING

**WARNING:** IF YOU DO NOT FOLLOW THESE INSTRUCTIONS EXACTLY, A FIRE OR EXPLOSION MAY RESULT CAUSING PROPERTY DAMAGE, PERSONAL INJURY OR LOSS OF LIFE.

- A. This appliance is equipped with an ignition device which automatically lights the pilot. Do not try to light the pilot by hand.
- B. BEFORE OPERATING smell all around the appliance area for gas. Be sure to smell next to the floor because some gas is heavier than air and will settle on the floor.
- WHAT TO DO IF YOU SMELL GAS:
- Do not try to light any appliance.
  - Do not touch any electrical switch; do not use any phone in your building.
  - Immediately call your gas supplier from a neighbor's phone. Follow the gas supplier's instructions.
  - If you cannot reach your gas supplier, call the fire department.
- C. Use only the remote supplied with this fireplace. Never use tools, don't try to repair it, call a qualified service technician. Force or attempted repair may result in a fire or explosion.
- D. Do not use this appliance if any part has been under water. Immediately call a qualified service technician to inspect the appliance and to replace any part of the control system and any gas control which has been under water.

#### OPERATING INSTRUCTIONS

1. STOP! Read the safety information above on this label.
2. Read the owner's manual including the section on "Remote Control" operation.
3. Turn off all electric power to the appliance.
4. Do not attempt to light the pilot by hand.
5. Wait five (5) minutes to clear out any gas. Then smell for gas, including near the floor. If you smell gas, STOP! Follow "B" in the safety information above on this label. If you don't smell gas, go to the next step.
6. Turn on all electric power to the appliance.
7. Using the remote control, press the ON/OFF key on the remote. "ON" will be indicated on the display of the remote and an audible "beep" will be heard at the unit to indicate the command has been received.



8. If the appliance will not operate, follow the instructions "To Turn Off Gas To Appliance" and call your service technician or gas supplier.

#### TO TURN OFF GAS TO APPLIANCE

1. Set thermostat to lowest setting, or press the ON/OFF or Power Key. "OFF" will be indicated on the display and an audible "Beep" will be heard at the unit to indicate the command has been received.
2. Turn off all electric power to the appliance if service is to be performed.

C-16320

Figure 2: Lighting Instruction Label



# OPERATING INSTRUCTIONS



**For G39LID models refer to the separate Dexen user manual supplied for remote control operations.**

## SYSTEM DESCRIPTION:

The Proflame 2 Remote Control System consists of two (2) elements:

1. Proflame 2 Transmitter.
2. Integrated Fireplace Controller (IFC) and wiring harness to connect to the gas valve, stepper motor battery holder, convection fan, and lights.

## ATTENTION!

- TURN "OFF" THE MAIN GAS SUPPLY OF THE APPLIANCE DURING INSTALLATION OR MAINTENANCE OF THE IFC.
- TURN "OFF" MAIN GAS SUPPLY TO THE APPLIANCE PRIOR TO REMOVING OR REINSERTING THE BATTERIES IN THE BATTERY HOLDER

## TECHNICAL DATA

### Transmitter (Remote Control):

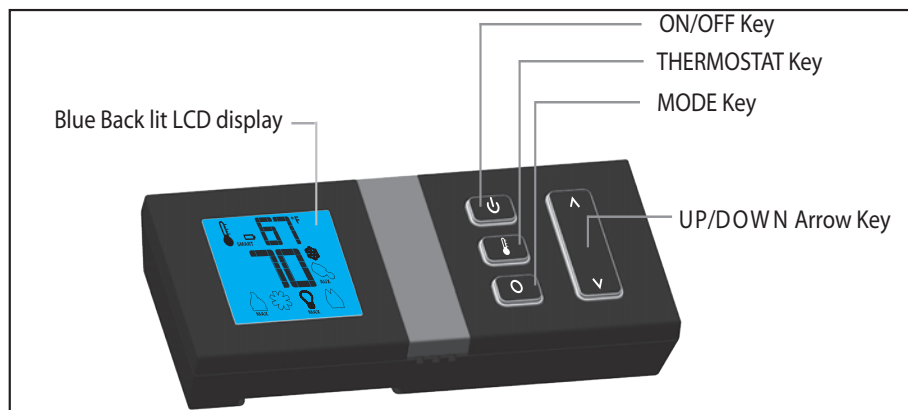
Supply voltage: 4.5 V (three 1.5 V AAA batteries)  
Radio frequency: 315 MHz

### Integrated Fireplace Controller (IFC):

Supply voltage: AC IN - 120 V / 60 Hz  
Battery Backup IN - 6 Vdc - 200mA (four 1.5 V AA batteries)  
Spark voltage / frequency: >10kV / 1Hz  
Comfort modulating fan: 120 V / 60 Hz / 2A  
Auxiliary: 120 V / 60 Hz / 5A

## REMOTE TRANSMITTER:

The Proflame 2 uses a streamline design remote transmitter to allow the user to interact with the system. The simple button layout and LCD display offer a user friendly experience. The MODE key is used to cycle through different features and the THERMOSTAT key is used to manage thermostatic functions. The transmitter is powered by three (3) AAA type batteries.



**Figure 3: Proflame 2 Transmitter.**

# OPERATING INSTRUCTIONS

**WARNING: Fire Hazard.** Can cause severe injury or death. The Transmitter causes ignition of the appliance. The appliance can turn on suddenly. Keep away from the appliance burner when operating the remote system.

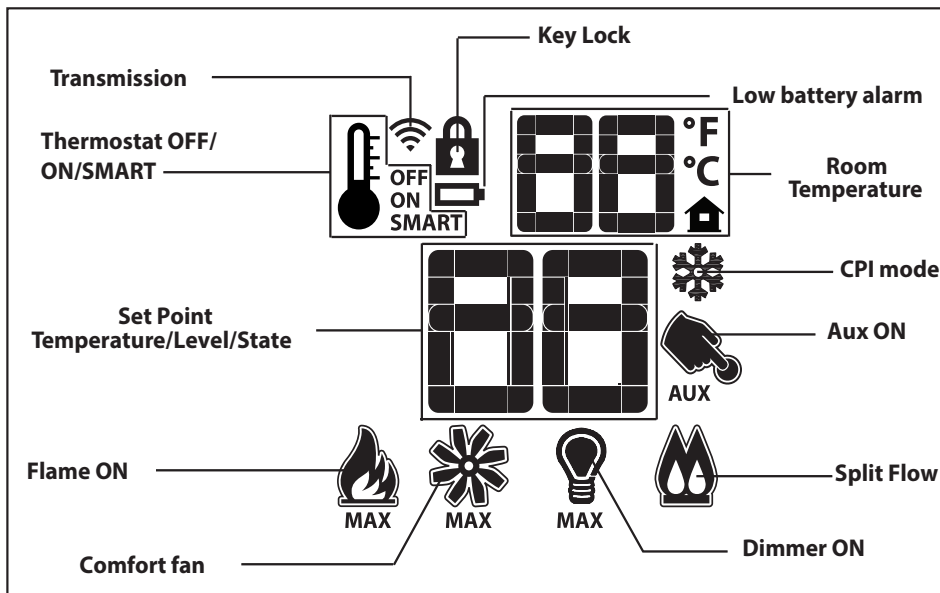


Figure 4: Proflame 2 Transmitter LCD Screen.

**CAUTION: Property Damage Hazard.** Excessive heat can cause property damage. The appliance can stay lit for many hours. Turn off the appliance if it is not going to be attended for any length of time. Always place the Transmitter where children cannot reach it.

## INTEGRATED FIREPLACE CONTROLLER (IFC):

The IFC is the master controller for your fireplace control system known as Proflame 2. This unit will control all aspects of the fireplace by receiving commands from the remote transmitter. This controller is powered by 120VAC but can also run off a (4) AA battery back-up if there is a power outage. Only main burner control can be used while operating with the battery back up; auxiliary components, such as the convection fan, cannot be used. Use the reset button (see Figure 5) to synchronize the remote transmitter to the IFC for the first time, or after batteries have been replaced.

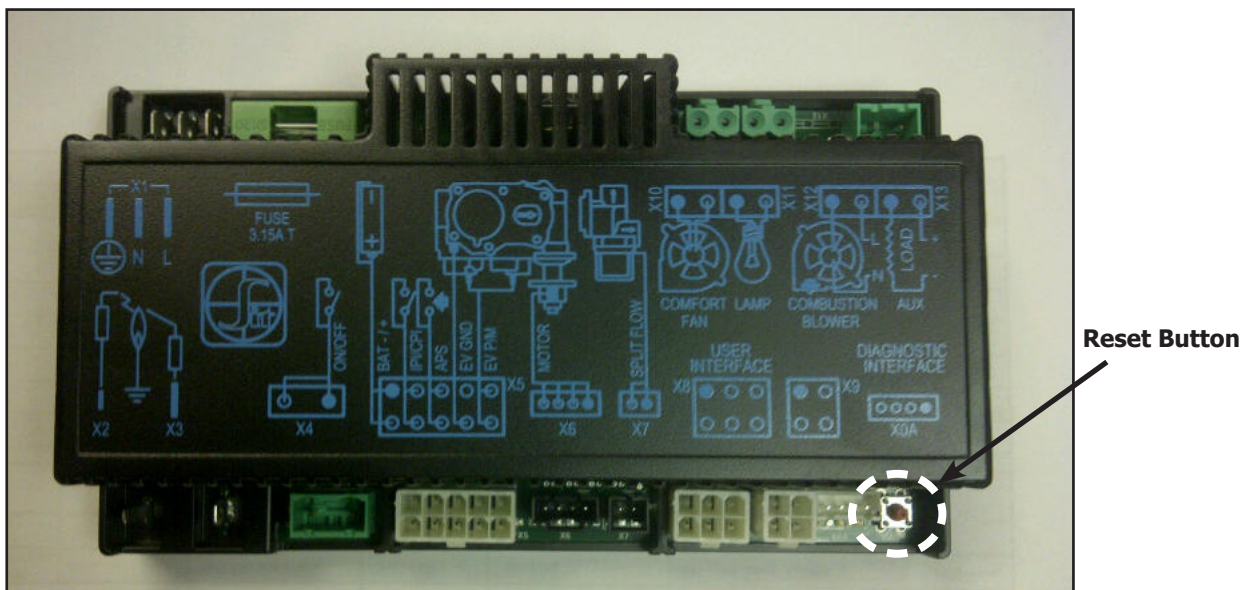


Figure 5: Integrated Fireplace Controller

# OPERATING INSTRUCTIONS

## OPERATING PROCEDURE:

### Initializing The System

Install the four (4) supplied AA batteries into the IFC battery holder. The remote transmitter should come from the manufacturer with the batteries already installed. Press the reset button on the IFC (see Figure 5) and listen for three (3) beeps. Press the ON key on the remote transmitter and listen for another beep sequence. Once the command has been accepted then the system is initialized and ready for use.

**Note: Other remote transmitters may interfere with the system if you have another within the vicinity.**

### Temperature Indication Display

Press the Thermostat key and the Mode key simultaneously while the system is OFF. The remote transmitter will indicate which temperature scale is being displayed ( $^{\circ}\text{C}$  or  $^{\circ}\text{F}$ ). Repeat this sequence to change the scale (see Figure 6).

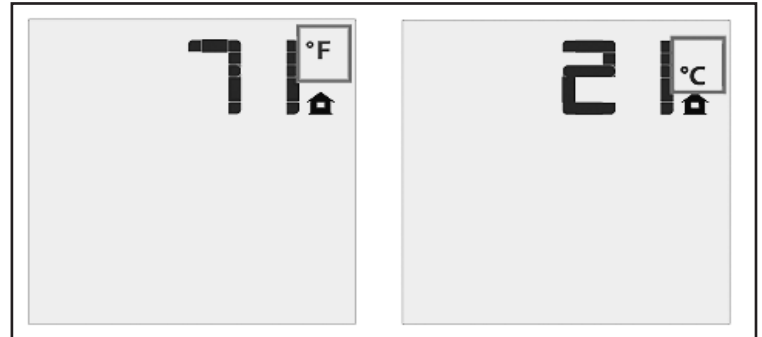


Figure 6: Temperature Scale Display

### Turn on the Appliance

Press the ON/OFF key on the remote transmitter; the display will illuminate and show all active icons. A single beep from the IFC will confirm the command from the remote and the start up sequence will begin. The spark electrode will ignite the pilot flame which will engulf the flame sensor hook. After the sensor reaches sufficient temperature, the main burner valve will open and the flame will ignite moments after.

**Note: If the pilot takes too long to ignite there may be air in the gas line. The system will enter a 5 minute lock-out and cancel the start-up procedure if too many spark attempts have been made. If pilot cannot light after 3 lock-out cycles then contact your gas fitter.**

### Continuous Pilot Mode

Press the Mode key with the fireplace turned off. Use the UP/DOWN key to cycle between intermittent pilot ignition (IPI) and continuous pilot ignition (CPI). Press the mode key to make your selection and the IFC will beep to confirm your command.

**Note: It is recommended to use CPI mode when the temperature outside is below  $50^{\circ}\text{F}$  ( $10^{\circ}\text{C}$ ) to keep the vent sufficiently heated to assist with warm-up procedure. Using CPI will also eliminate excessive condensation on the glass during start-up.**

**Note: This appliance is equipped with an on-demand pilot that, if left dormant, will shut down after 7 consecutive days.**

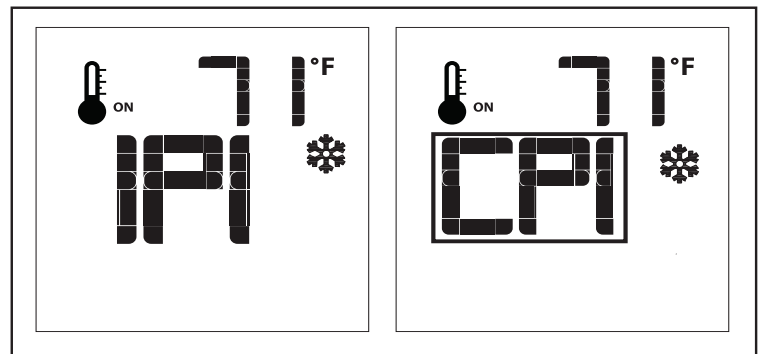


Figure 7: CPI Pilot Mode.

### Turn off the Appliance

Press the ON/OFF key on the transmitter to turn the fireplace off. The IFC will confirm your command with a single beep. The pilot light (IPI) and the main burner will turn off. The pilot will remain lit if the fireplace is in CPI mode. Room temperature information will still be displayed on the remote when the unit is off.

# OPERATING INSTRUCTIONS

## Room Thermostat (Transmitter Operation)

The remote transmitter acts as a room thermostat. The thermostat can be set to a desired temperature to control the comfort level in a room. Press the THERMOSTAT key to activate this function. The transmitter display will indicate the thermostat is ON and the set temperature can be adjusted with the UP/DOWN key. The flame will cycle on and off to regulate temperature in this mode.

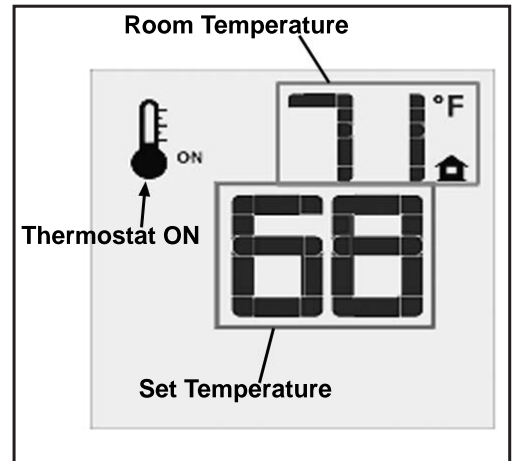


Figure 8: Thermostat Function

## Smart Thermostat (Transmitter Operation)

The remote acts as a smart thermostat. Press the THERMOSTAT key until SMART is displayed. The smart thermostat function has the ability to modulate the flame level with reference to the set point. The flame will level down when the actual temperature approaches the set temperature.

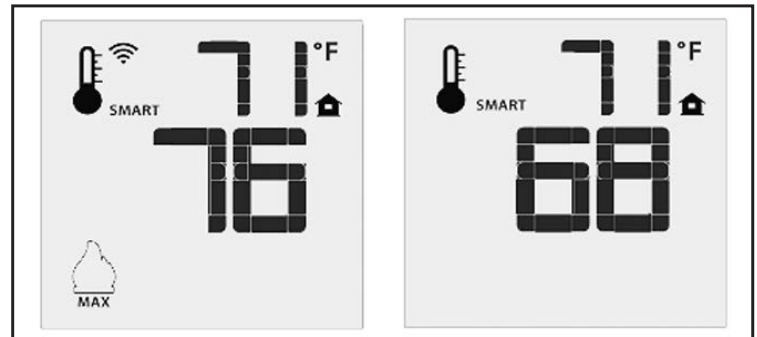


Figure 9: Smart Thermostat Function

## Remote Flame Control

The Proflame 2 remote control system has six (6) flame levels. Adjust the flame level using the UP/DOWN key; each time the button is pressed the IFC will beep to confirm your command. The remote display will show which level the flame is currently at.

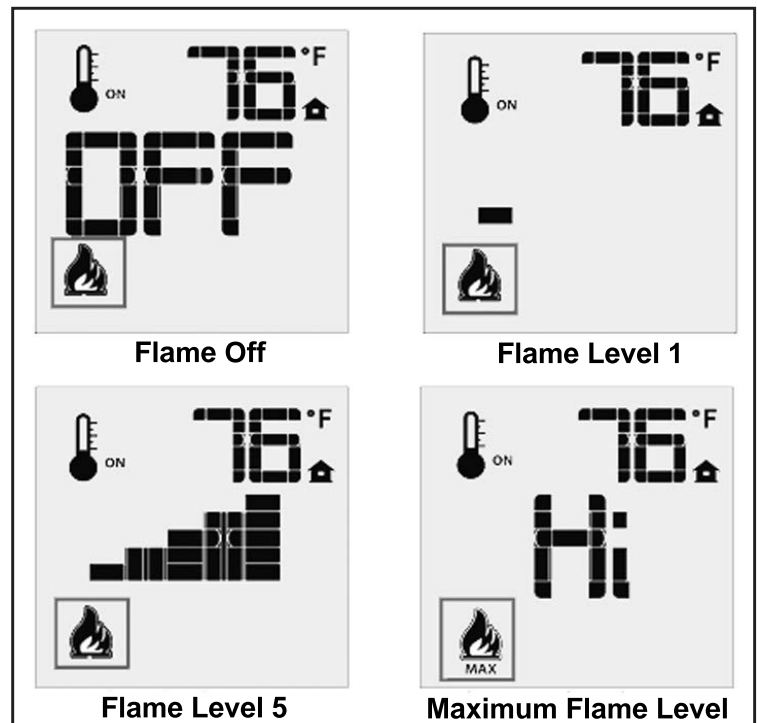


Figure 10: Flame Control

# OPERATING INSTRUCTIONS

## Fan Control

The Proflame 2 remote control system has six (6) fan speed levels. Adjust the fan speed using the UP/DOWN key; each time the button is pressed the IFC will beep to confirm your command. The remote display will show which level the fan speed is currently at.

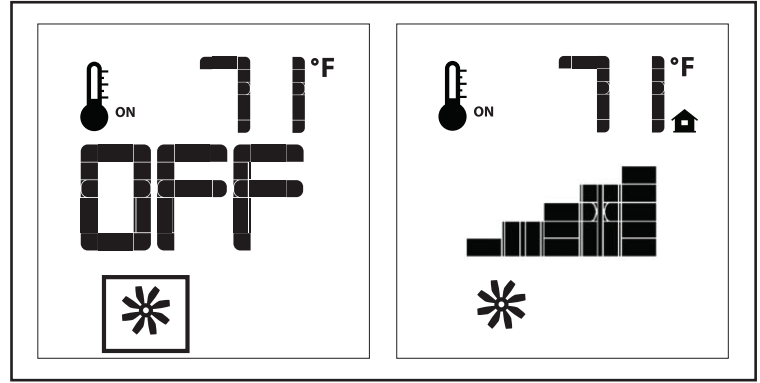


Figure 11: Fan Control

## Key lock

This function will lock the keys to avoid unsupervised operation. Press the MODE and UP key simultaneously to activate this function. Repeat this sequence to deactivate. A lock icon will be displayed on the screen when activated.



Figure 12: Key Lock

## Low Battery Power Detection

A low battery icon will be displayed on the remote transmitter when the batteries are low. It is advisable to change the batteries at this point before all power is lost from the remote.

There is no icon on the remote transmitter indicating low battery power for the IFC. The IFC will emit a beep when the ON/OFF key is pressed indicating the batteries are low.

The system will need to be initialized after battery replacement (see INITIALIZING THE SYSTEM). The life span of the batteries depends on various factors such as battery quality, ignition attempts, remote usage, and power outage duration.

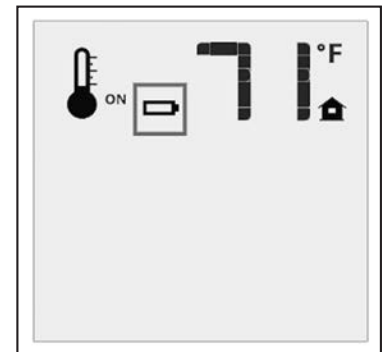


Figure 13: Low Battery

## Ember Lights Control

The ember lights are at the front of the fireplace and can be controlled with the transmitter. The Proflame 2 remote control system has six (6) light intensity levels. Adjust the light intensity using the UP/DOWN key; each time the button is pressed the IFC will beep to confirm your command. The remote display will show what level the ember lights are currently at.

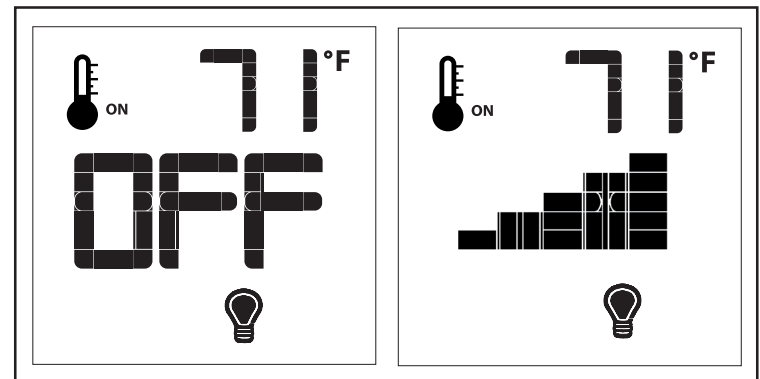


Figure 14: Ember Light Control

# OPERATING INSTRUCTIONS

## Aux Control

This function is not used on the G39LI or G39LID and can be disregarded.

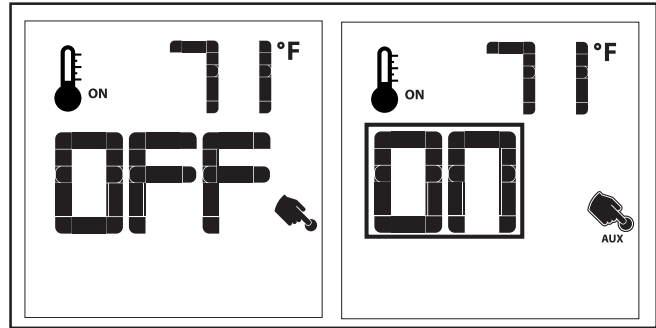


Figure 15: Aux Control

## NORMAL SOUNDS DURING OPERATION:

Table 1: Normal Sounds

| Component    | Normal Sound Description   |
|--------------|--|
| Main Unit    | Creaking when heating up or cooling down                                 |
| Burner       | Light pop or poof when turned on or off                                  |
| Pilot Flame  | Quiet whisper while the pilot flame is on                                |
| Blower / Fan | Air movement that increase and decreases with the speed of the blower    |
| Gas Valve    | Dull click when turning on or off, this is the valve opening and closing |

## PILOT LIGHT (DOES NOT APPLY TO G39LID MODELS):

The pilot flow adjustment is set to maximum at the factory and should not need to be adjusted. The pilot flame should cover  $\frac{3}{8}$ " to  $\frac{1}{2}$ " (10 to 13mm) of the flame sensor (see Figure 16). However, should the need arise, turn the adjustment screw to alter the pilot gas flow.

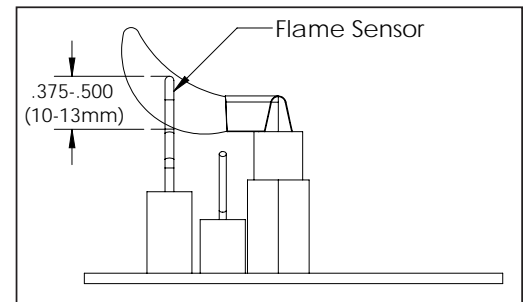


Figure 16: Pilot Light

## AIR SHUTTER (VENTURI):

The air shutter plays a very important role in flame appearance and combustion quality. The shutter adjusts how much air gets mixed with the gas before it ignites; adjustments can be made to accommodate various climates and vent configurations.

Remove surround to access the air shutter. Find the lever underneath the firebox (see Figure 17). Moving the lever right (closed) will make the flame appear more yellow and tall; moving the lever left (open) will make the flames appear more blue and short.

**Typically natural gas flames will require the shutter to be more closed.**

**Typically LP flames will require the shutter to be more open.**

If you cannot attain a healthy flame by making air shutter adjustments, you may have the incorrect restrictor setting or venting problem.

If the flame is very flickery, fast moving, and low then increase the restriction.

If the flame is very tall, lazy, and dirty then decrease the restriction.

More details can be found in the venting section of this manual.

**Caution: Wear heat resistant gloves when making adjustments to the air shutter. Perform adjustments after 15 minutes.**

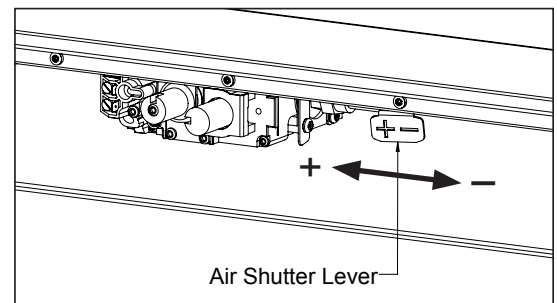


Figure 17: Air Shutter Location

# MAINTENANCE AND SERVICE

---

## ROUTINE MAINTENANCE:

---

Run through the following procedures to ensure the system is clean and working properly at least once a year. Check the burner to see if all the ports are clear and clean. Check the pilot to make sure it is not blocked by anything. The pilot flame should be blue with little or no yellow tips.

**WARNING:** Failure to position parts in accordance with this manual, or failure to use only parts specifically approved with this appliance may result in property damage or personal injury.

The venting system must be periodically examined; it is recommended the examination is done by a qualified agency.

## CLEANING THE GLASS:

---

**With the fireplace cooled**, remove the surround panel and glass door (See MAINTENANCE AND SERVICE - SURROUND PANEL REMOVAL and MAINTENANCE AND SERVICE - GLASS DOOR REMOVAL). Check the gasket material on the back of the glass, making sure that it is attached and intact.

During a cold start up, condensation will sometimes form on the glass. This is a normal condition with all gas fireplaces. This condensation can allow dust and lint to cling to the glass surface which requires periodic cleaning.

Initial paint curing of the appliance can leave a slight film behind the glass, a temporary problem. The glass will need cleaning about two weeks after installation.

**Use a mild glass cleaner and a soft cloth. Abrasive cleaners will damage the glass and painted surfaces.** Depending on the amount of use, the glass should require cleaning no more than two or three times a season.

**WARNING: Do not clean the glass when it is hot.**

## CLEANING THE FIREBOX:

---

Carefully remove the logs, they are fragile. Gently remove all the media and place on a paper towel. Vacuum the bottom of the firebox thoroughly. Carefully clean any dust off the logs and remove any lint from the burner and pilot. At this time, inspect the burner tube for cracking or severe warping. If a problem is suspected, contact the dealer. Check the logs for deterioration or large amounts of soot; a small amount on the bottom side of the logs is normal. Replace the logs as shown in the SECONDARY INSTALLATION - LOG SET INSTALLATION section. If new/more media is required, contact your nearest ENVIRO dealer.

## REPLACING THE GLASS:

---

The glass in the fireplace is a low emissivity tempered glass. If the glass is damaged in any way, a factory replacement is required (see PARTS LIST). Wear gloves when handling damaged glass door assembly to prevent personal injury. Do not operate with the glass front removed, cracked or broken. Removal and replacement of the glass from the door **must** be done by a licensed or qualified service person. **The glass must be purchased from an ENVIRO dealer. No substitute materials are allowed.** To remove the door (see MAINTENANCE AND SERVICE - GLASS DOOR REMOVAL). The replacement glass will come with a new gasket installed. Remove any silicone remnants from the door. Apply high temperature silicone around the perimeter of the door and install the new piece of glass with gasket. Apply even pressure to the glass to allow the silicone to adhere to the gasket material.

# MAINTENANCE AND SERVICE

---

## CLEANING DECORATIVE SURFACES:

---

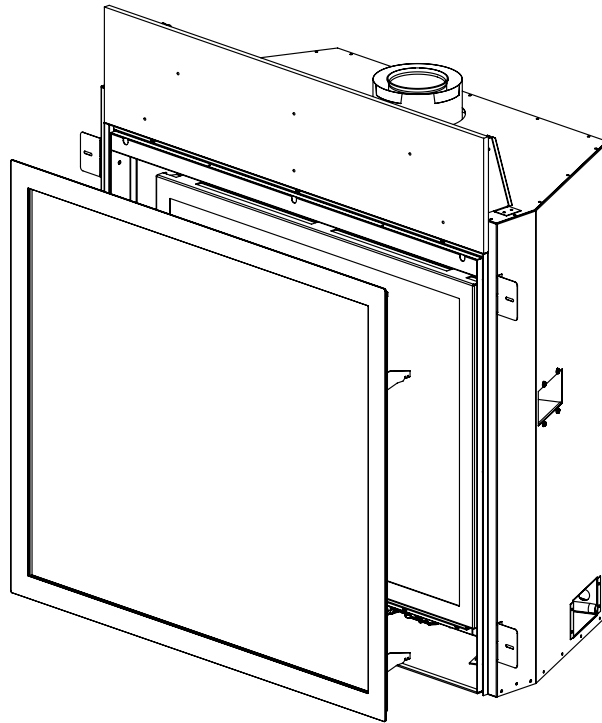
Painted and porcelain faces should be wiped with a damp cloth periodically. If a plated face has been purchased, it should be unpacked carefully to avoid getting anything on the surface of the finish, including cleaners, polish and finger prints. It is important to note that fingerprints and other marks can leave a permanent stain on plated finishes. **To avoid this, give the face a quick wipe with denatured alcohol on a soft cloth BEFORE lighting the fireplace.** Never clean the face when it is hot. Do not use other cleaners as they may leave a residue, which can become permanently etched into the surface.

## SURROUND PANEL REMOVAL:

---

**WARNING: Do not attempt to remove the surround panel until the unit has completely cooled.**

There are four mounting hooks that hold the surround into position (see Figure 18). To remove the surround, it is easiest to grab with both hands on either side and lift up and bring outward. Upon installation, some adjustment from left to right may be needed to center the surround.



**Figure 18: Surround Removal**



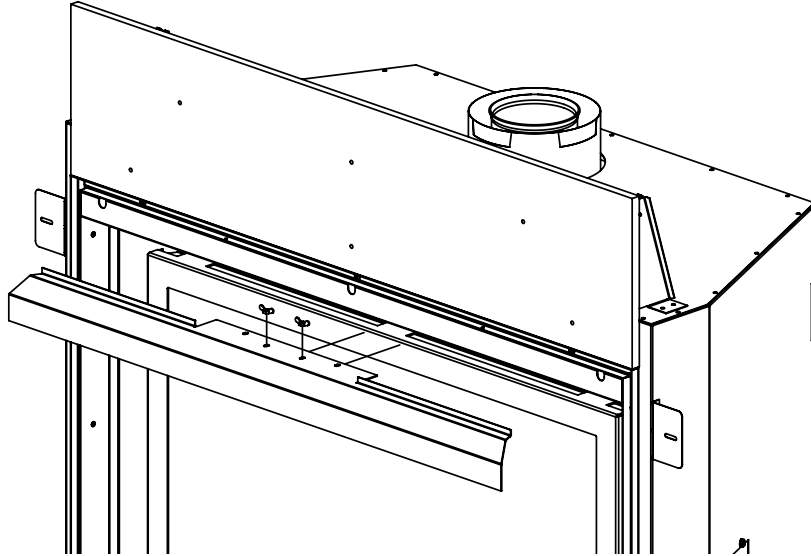
# MAINTENANCE AND SERVICE

---

## **DOOR COVER REMOVAL:**

To remove the door cover, remove the two (2) wing nuts using your fingers then lift up and outward. Wing nuts are only for shipping and do not need to be reinstalled.

**WARNING:** Do not touch or attempt to remove the glass door if the fireplace is not completely cold.



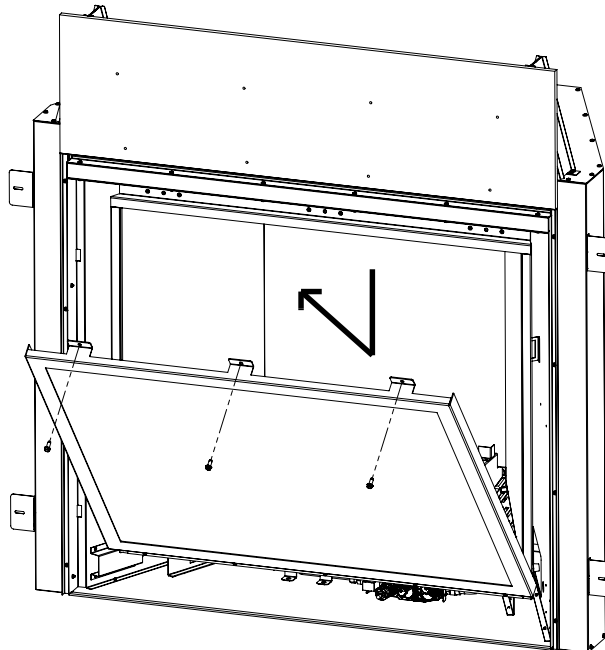
**Figure 19: Door Cover Removal**

## **GLASS DOOR REMOVAL:**

To remove the glass door use a 3/8 socket to remove the 3 upper bolts, rotate outward, and lift. To replace the door simply reverse the order; do not over tighten the bolts or they may strip.

**WARNING:** Do not touch or attempt to remove the glass door if the fireplace is not completely cold.

**WARNING:** Never operate the fireplace with the glass door removed.



**Figure 20: Glass Door Removal**

# MAINTENANCE AND SERVICE

---

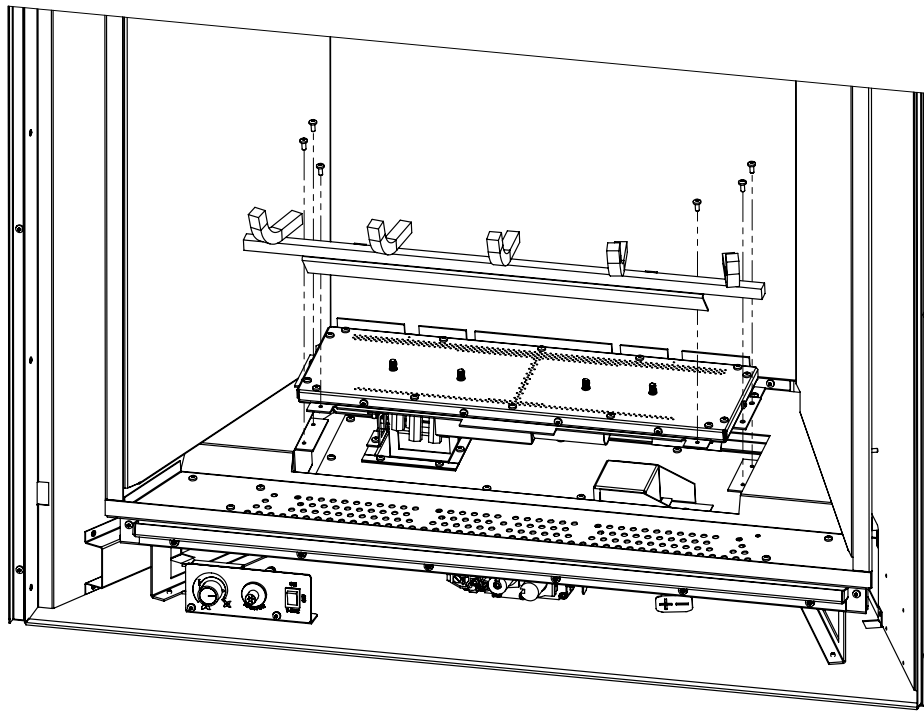
The burner will need to be removed for maintenance and fuel conversion, also liner removal or installation. Follow the procedure carefully.

**Proceed only when the unit has completely cooled down.**

## **BURNER REMOVAL:**

---

1. Remove the surround panel (see MAINTENANCE AND SERVICE - SURROUND PANEL REMOVAL).
2. Remove the door cover (see MAINTENANCE AND SERVICE - DOOR COVER REMOVAL).
3. Remove the glass door (see MAINTENANCE AND SERVICE - GLASS DOOR REMOVAL)
4. Remove log set (if installed).
5. Remove the two screws securing the log grate to the burner using a T-20 screw bit.
6. Remove the four T-20 screws securing the burner pan (see Figure 21). Slide the pan to the left and lift out. Reassemble in the reverse order.



**Figure 21: Front Burner Removal**

# MAINTENANCE AND SERVICE

## EMBER LIGHTS REMOVAL:

1. Disconnect electrical power to the unit.
2. Remove burner (see MAINTENANCE AND SERVICE - FRONT BURNER REMOVAL).
3. Remove glass media (if installed).
4. Remove light tray by removing the four (8) T-20 screws (see Figure 22).

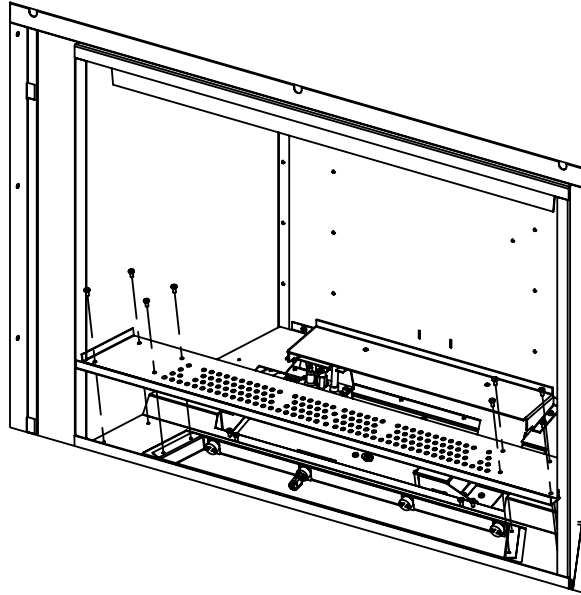


Figure 22: Media Tray Removal

5. Remove wire cover then lift up light tray to reveal wire plate, remove the four (4) T-20 screws and feed the wires out along with the light tray (see Figure 23). Disconnect the wire connectors to fully remove. Do not ever remove marettes.

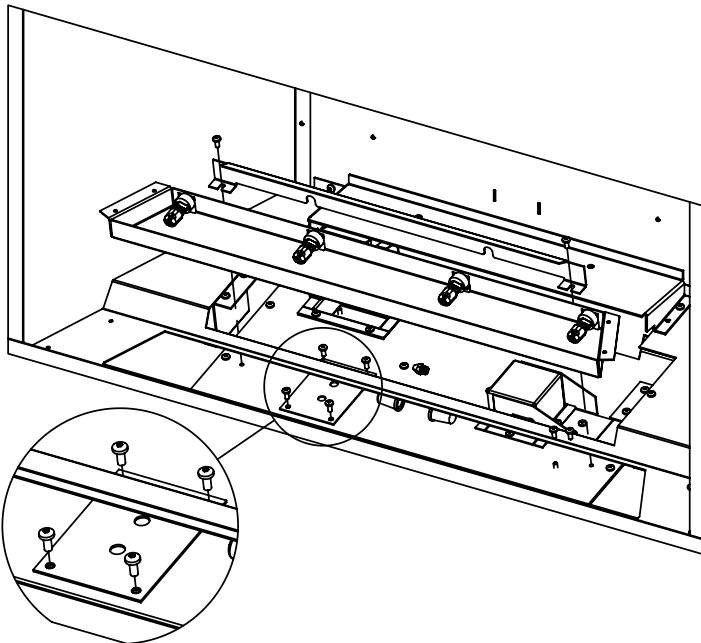


Figure 23: Wire Plate Removal

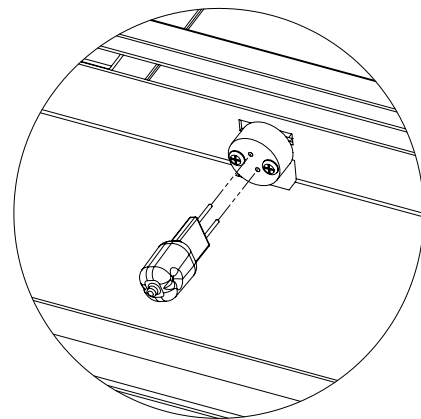


Figure 24: Halogen Bulb Replacement

6. Wear cotton gloves when replacing halogen bulbs. Grab bulb firmly at the base and pull straight out to remove; replace bulb as necessary. Grab new bulb by the styrofoam sleeve - it is vital that your bare fingers do not contact the bulb (see Figure 24). **The oils from your fingers will greatly reduce the life-span of the bulb.**
7. Reconnect electrical power.

# MAINTENANCE AND SERVICE

## FUEL CONVERSION:

### TO BE INSTALLED BY A QUALIFIED SERVICE AGENCY ONLY

Please read and understand these instructions before installing.

**Warning:** This conversion kit shall be installed by a qualified service agency in accordance with the manufacturer's instructions and all applicable codes and requirements of the authority having jurisdiction. If the information in these instructions is not followed exactly, a fire, explosion or production of carbon monoxide may result causing property damage, personal injury or loss of life. The qualified service agency is responsible for the proper installation of this kit. The installation is not proper or complete until the operation of the converted appliance is checked as specified in the manufacturer's instructions supplied with the kit.

### Kit Parts List for G39LI Model:

- 1 - Burner Orifice LP [DMS #52] NG [#36 DMS] as marked
- 1 - Pilot Orifice (LP)
- 1 - Stepper Motor w/ Hardware
- 1 - Installation Instruction Sheet
- 4 - Conversion Labels

Carefully inspect all parts supplied with this conversion kit. If any parts have been damaged or are missing, contact your dealer, distributor or courier company to have them replaced before starting this installation.

### CONVERSION KIT INSTALLATION:

1. **Disconnect the gas supply completely as well as any electrical power source before proceeding.**
2. Remove surround panel, door cover, glass door, burner (see MAINTENANCE AND SERVICE section of Owner's Manual).
3. Convert the existing burner orifices with the ones provided in this kit using a 3/8 inch deep socket.  
**WARNING: BE SURE TO INSTALL THE CORRECT ORIFICE INTO THE CORRECT PORT**



Figure 25: Pilot Orifice (not to scale)

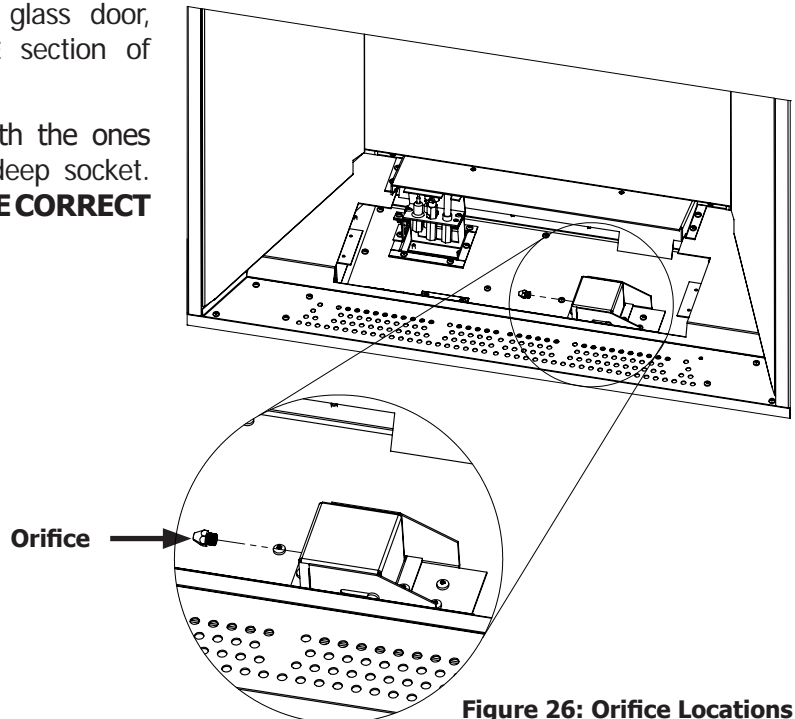
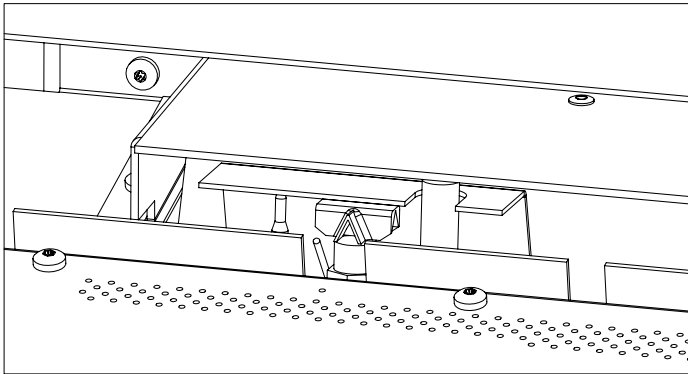


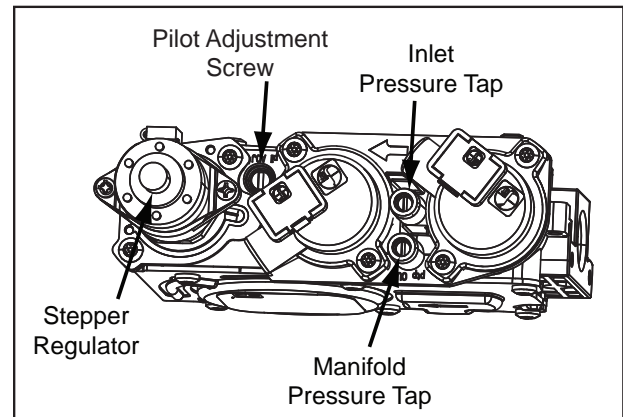
Figure 26: Orifice Locations

# MAINTENANCE AND SERVICE

4. Convert the existing pilot orifice with the one provided in this kit (see Figure 25) using a 7/16 inch wrench. Fully unthread and remove the pilot head and replace the orifice insert. Retighten pilot, if head does not reach proper orientation in the snug position then contact your Enviro dealer (see Figure 27).
5. Convert the gas valve:
  - a) Remove the existing stepper motor using a T20 screwdriver (see Figure 28).
  - b) Remove the rubber diaphragm and spring within; do not reuse.
  - c) Install the new stepper motor with integrated diaphragm assembly using longer hardware.
  - d) Plug new motor into the Control Module (IFC).



**Figure 27: Pilot Orientation**



**Figure 28: Gas Valve Diagram**

6. Reinstall burners, log grate, burner media, logs, and glass door (see MAINTENANCE AND SERVICE section of Owner's Manual).
7. Purge any air from gas line and reconnect to unit.
8. Use a small brush and apply a warm soapy water solution to all gas connections. If a gas leak is present, bubbling will occur. Gas leaks can be repaired by using a gas approved pipe thread sealant. **WARNING: NEVER USE AN OPEN FLAME WHEN TESTING FOR GAS LEAKS.**
9. Reconnect electrical power to the unit.
10. Light the pilot and recheck for leaks in the aluminum pilot line. If a leak is evident, contact your ENVIRO dealer for a pilot line replacement. **WARNING: DO NOT ATTEMPT TO FIX THIS LINE, IT MUST BE REPLACED IF DAMAGED.** The pilot should properly cover the flame sensor. If adjustment is necessary, turn the adjustment screw in the valve (see Figure 28) clockwise to decrease and counter-clockwise to increase until the correct flame is achieved (see Figure 16).
11. Start the main burner and verify full range of adjustment using the remote. Confirm the inlet and manifold gas pressures are within the acceptable range using a manometer (see INITIAL INSTALLATION - GAS LINE CONNECTION AND TESTING). If this unit has been installed at an altitude higher than 2000ft (610m) it is required to de-rate the unit accordingly.

**In the USA:** The appliance may be installed at higher altitudes. Please refer to your American Gas Association guidelines which state: the sea level rated input of Gas Designed Appliances installed at elevations above 2000 (610 m) feet is to be reduced 4% for each 1000 feet (305 m) above sea level. Refer also to local authorities or codes which have jurisdiction in your area regarding the de-rate guidelines.

**In Canada:** When the appliance is installed at elevations above 4500 feet (1372 m), the certified high altitude rating shall be reduced at the rate of 4% for each additional 1000 feet (305 m).

12. **MAKE SURE** that the conversion labels provided are installed on or close to the rating label to signify that the unit has been converted to a different fuel type.

# INITIAL INSTALLATION

## QUALIFIED INSTALLERS ONLY

### INTRODUCTION:

This section of the owner's manual is for the use of qualified technicians only. There are several installation safety guidelines that must be adhered to; carefully read the safety precautions at the front of this manual.

### UNIT INSTALL PREPARATION:

Review the diagram below to familiarize yourself with the parts included with the unit. Please review the following instructions carefully to ensure the unit is prepared properly before installation.

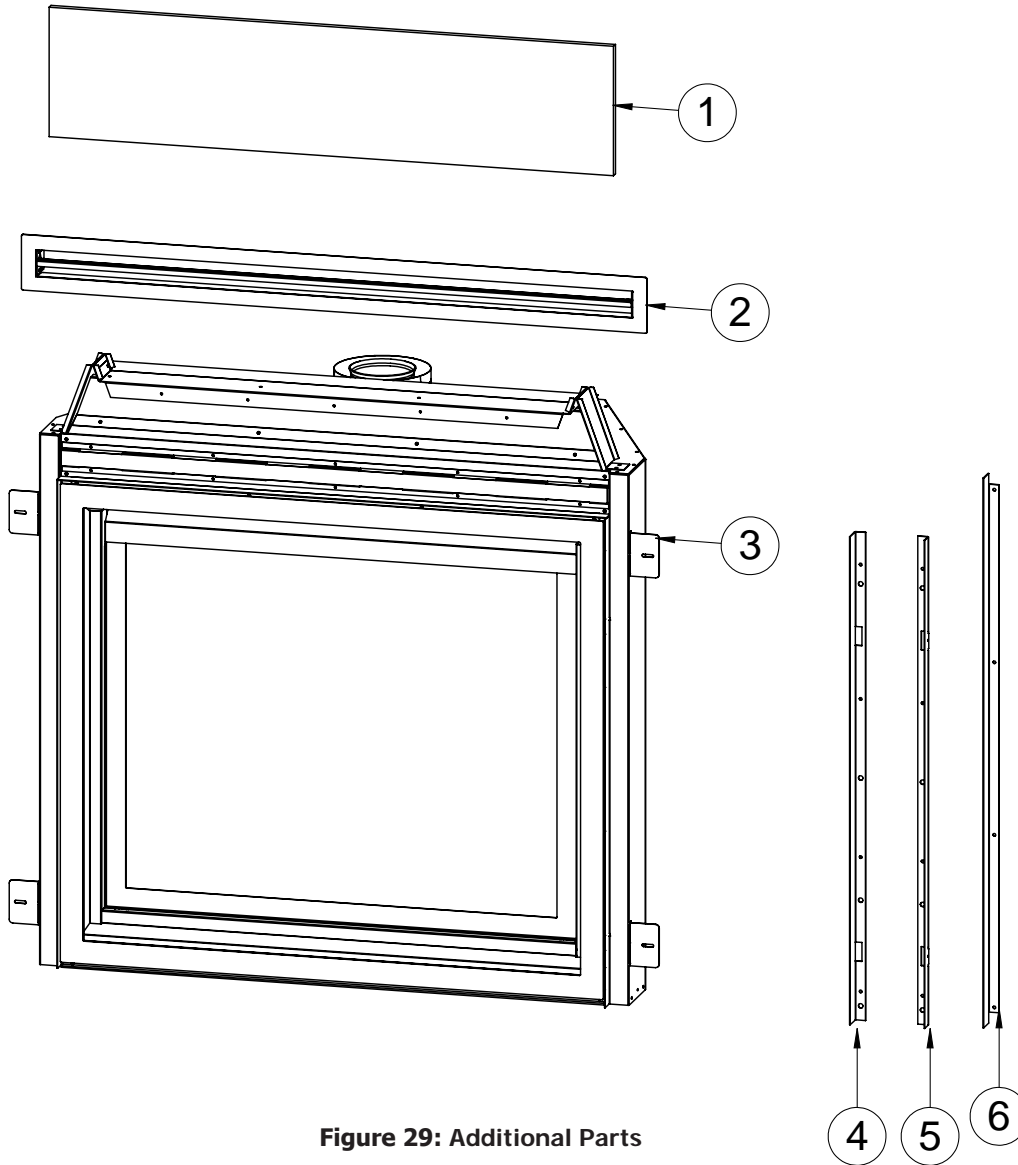


Figure 29: Additional Parts

Table 2: Additional Parts

| Item Number | Item Description            | Quantity |
|-------------|-----------------------------|----------|
| 1           | Non-Combustible Board       | 1        |
| 2           | Cool Surface System Bezel   | 1        |
| 3           | Stud Anchors                | 4        |
| 4           | Long Finishing Trim - Left  | 1        |
| 5           | Long Finishing Trim - Right | 1        |
| 6           | Long Finishing Trim - Top   | 1        |

# INITIAL INSTALLATION

## QUALIFIED INSTALLERS ONLY

### Nailing Flange:

There are four (4) nailing flanges to secure the unit to the framing, they are assembled flat from the manufacturer. Remove the upper T-20 screw and rotate each nailing flange upward until the bare nailing flange hole lines up and reinstall the T-20 screw. Bend the flange 90 degrees making it flush with the cabinet face.

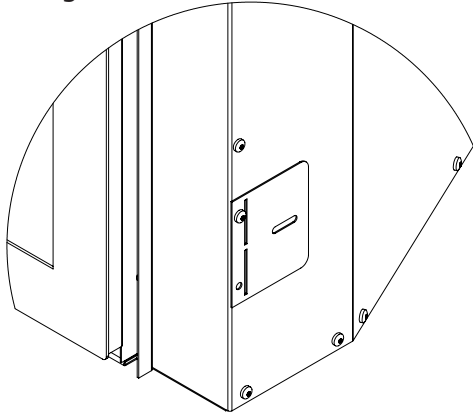


Figure 30: Nailing Flange Flat

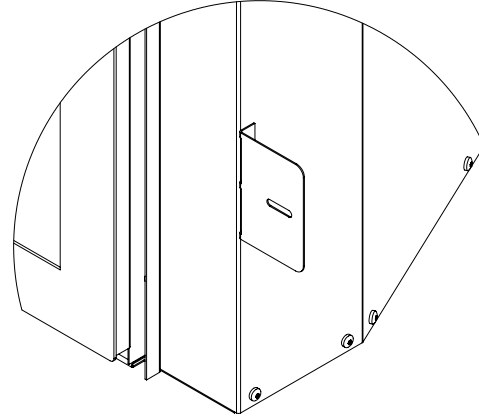


Figure 31: Nailing Flange Assembled

### Non-combustible board:

Install the supplied non-combustible facing board above the fireplace as shown below.

**CAUTION: TAKE CARE TO NOT SINK SCREW HEADS TOO DEEP INTO THE BOARD OR IT MAY CRACK.** This board is mandatory unless the COOL SURFACE SYSTEM is activated, if it is damaged contact you ENVIRO dealer.

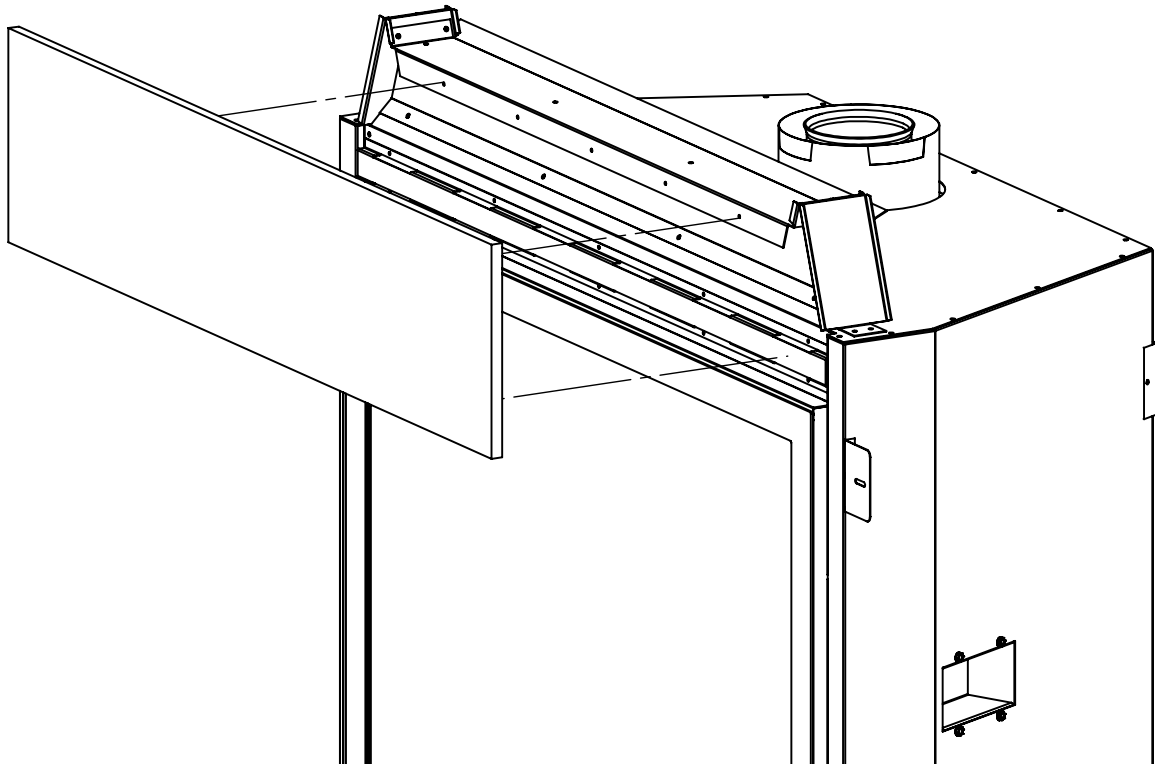
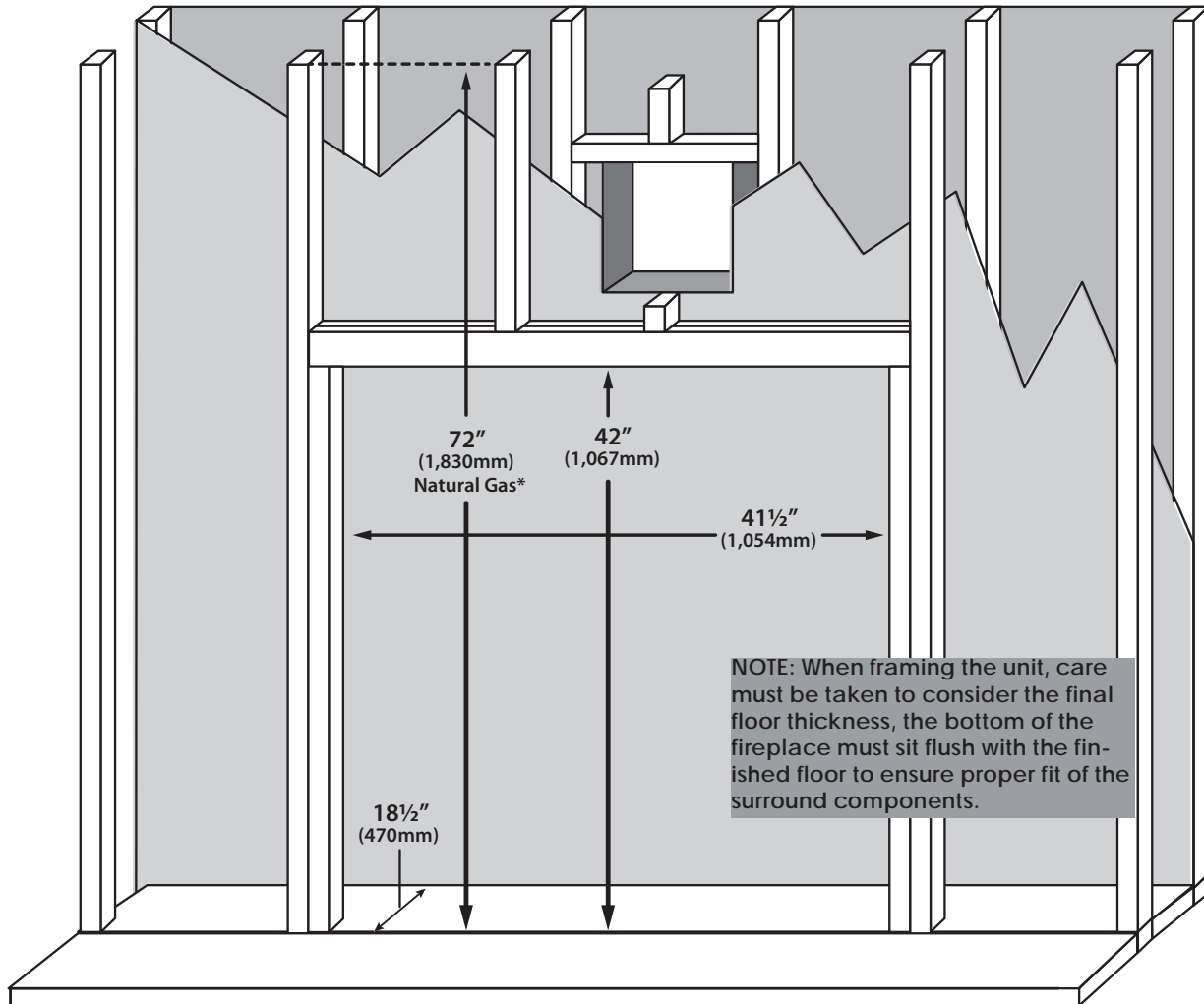


Figure 32: Non-combustible board

# INITIAL INSTALLATION

## QUALIFIED INSTALLERS ONLY

### PLACEMENT AND FRAMING:



**Figure 33: G39 Minimum Framing**

**Table 3: G39 Minimum Framing**

| Minimum Framing Dimensions      |         |        |
|---------------------------------|---------|--------|
| Depth                           | 18 1/2" | 470mm  |
| Width                           | 41 1/2" | 1054mm |
| Header Height                   | 42"     | 1067mm |
| Enclosure Ceiling (Natural Gas) | 72"     | 1829mm |
| Enclosure Ceiling (Propane)     | 82 1/2" | 2096mm |

**\*NOTE: Minimum enclosure ceiling height is increased when Fireplace has been converted to propane.**

The location for the fireplace can be raised, at floor level, or installed in a corner. There are minimum framing measurements for each situation. The basic rough opening should have the following dimensions (see Figure 33). The fireplace must be placed on a strong and level surface.

The gas line must be run to the right side of the fireplace, there is a 3/8 NPTM fitting to connect the gas line to. The electrical wiring must be brought to the left side. The location of the fireplace should be chosen so there will be at least a **36 inches (914 mm)** clearance from drapes, doors and other combustible materials.



# INITIAL INSTALLATION

## QUALIFIED INSTALLERS ONLY

### FINISHING A FIREPLACE:

The G39 comes with two different sized finishing trims. The fireplace comes with a short finishing trim set installed and a second long finishing trim set comes packaged with the fireplace:

**1. Short Finishing Trim** - This finishing trim comes mounted to the unit with screws. This finishing trim is 0.625" deep and will accommodate finishing materials up to 0.875" in thickness.

**2. Long Finishing Trim** - This finishing trim comes wrapped in foam on top of the unit. This finishing trim will accommodate finishing materials of 1" or more in thickness. The 0.625" Finishing trim installed on the unit will need to be removed and replaced with this trim. This is ideal for thicker finishes like stone.

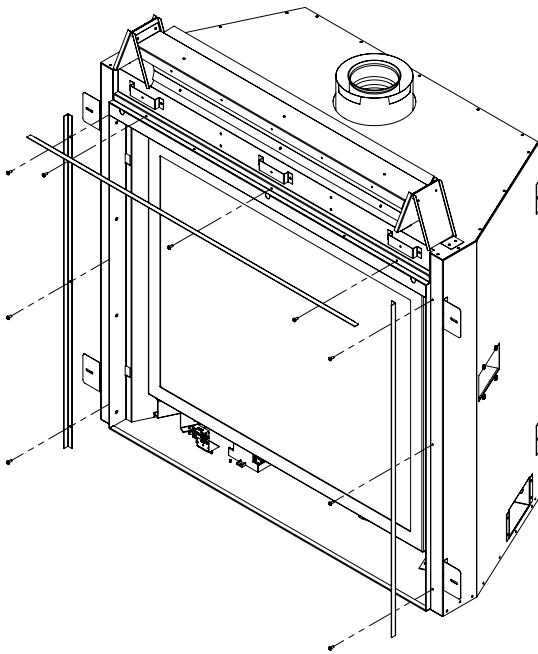


Figure 34: Outer finishing edge removal / replacement

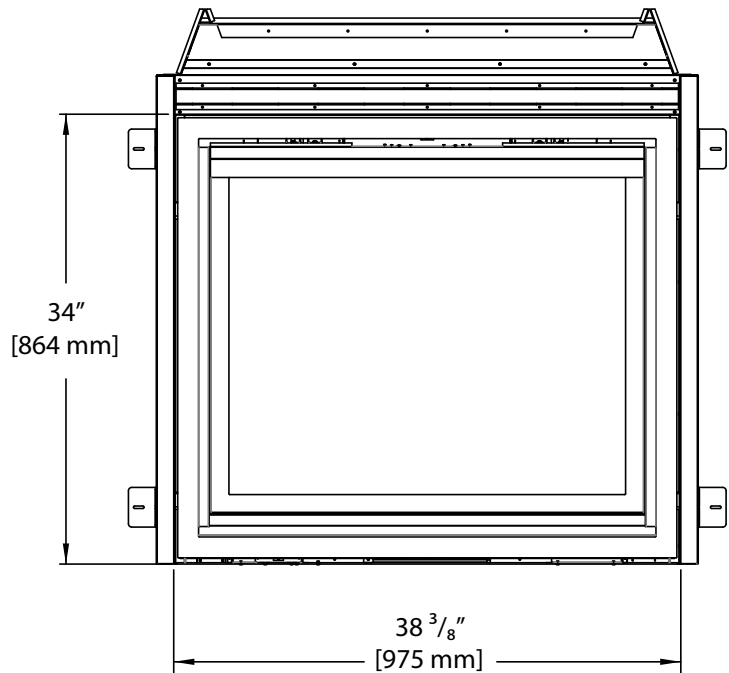


Figure 35: Outer finishing edge dimensions

**Combustible material may be brought up to any finishing edge ONLY if the Cool Surface System (CSS) has been correctly activated allowing heat in the chase to be vented.** This system keeps the front wall cool enough for any combustible materials. The supplied non-combustible board can still be used but is not mandatory when the CSS is activated, combustible material may overlap in this situation.

**If the CSS has NOT been activated (Traditional Install) you MUST use a non-combustible material directly above the fireplace extending up the front wall 9" from the top finishing edge,** it is recommended to use the supplied non-combustible board. Combustible material must **NOT** be brought up to the top finishing edge. Also combustible material **CANNOT** overlap the non-combustible board on a traditional installation.

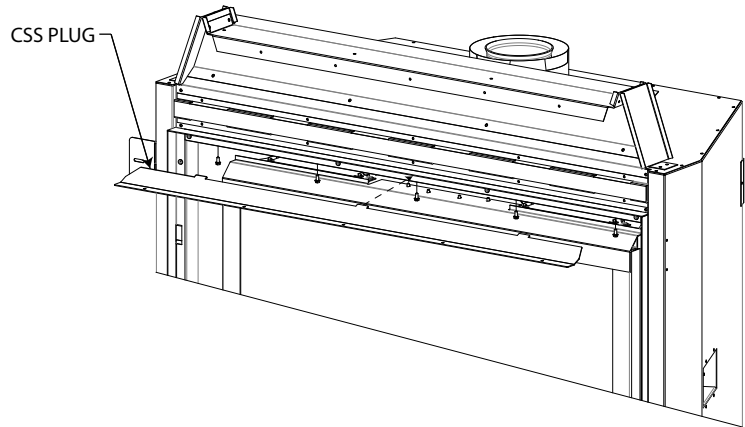
# INITIAL INSTALLATION

## QUALIFIED INSTALLERS ONLY

### COOL SURFACE ACTIVATION:

**WARNING: IT IS ESSENTIAL THAT THE CHASE IS VENTED IN A MANNER THAT RELIEVES THE ADDITIONAL HEAT ENTERING THE CHASE. ENSURE ONE OF THE AVAILABLE FRAMING OPTIONS HAVE BEEN CONSTRUCTED IN ACCORDANCE WITH THIS MANUAL. FAILURE TO DO SO CAN CREATE AN OVERHEATING SITUATION THAT COULD LEAD TO BUILDING FIRE.**

Ensure your chase has been constructed in a manner that vents the chase into the same room. It is not permitted to vent the chase into an adjoining room. The CSS bleeds heat off the fireplace into the chase as opposed to climbing up the front face. This dramatically lowers the front wall temperatures allowing the placement of delicate objects above the fireplace. Review the guidelines in the previous sections to ensure your install is in accordance with the framing specifications. Follow these instructions to activate the CSS feature. The non-combustible board included with the fireplace is no longer required when using CSS.



**Figure 36: CSS Plug Removal**

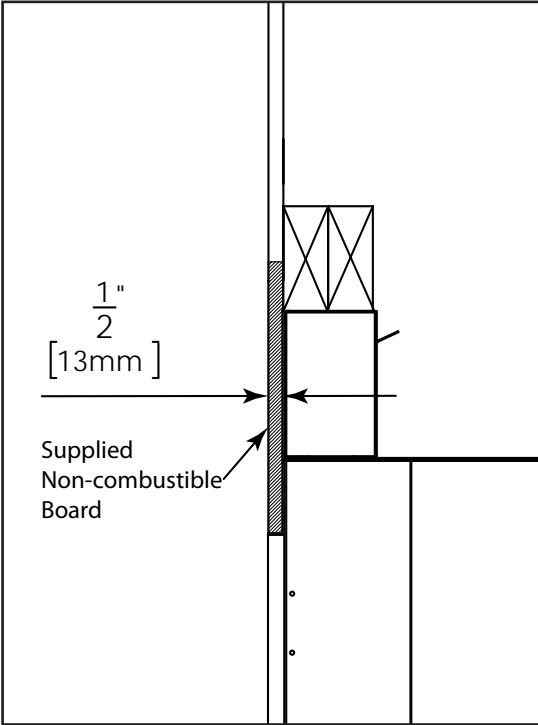
**Activation -** Remove CSS plug using 1/4" deep socket or flat head screwdriver.

**The CSS system is now activated.**

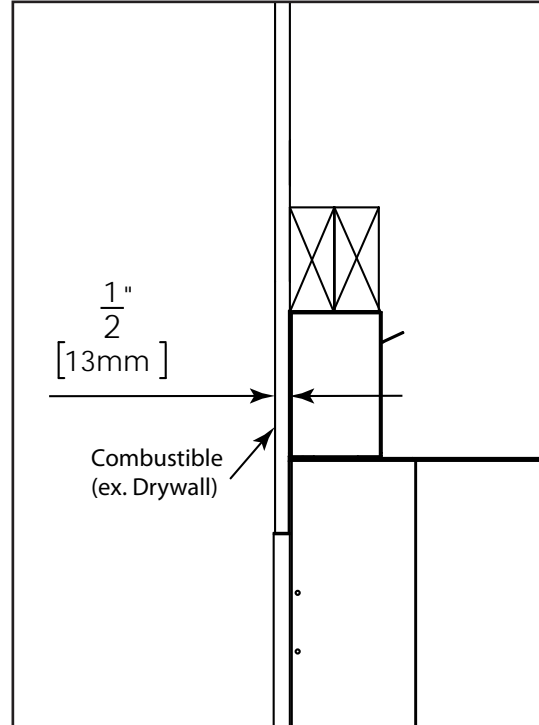
# INITIAL INSTALLATION

## QUALIFIED INSTALLERS ONLY

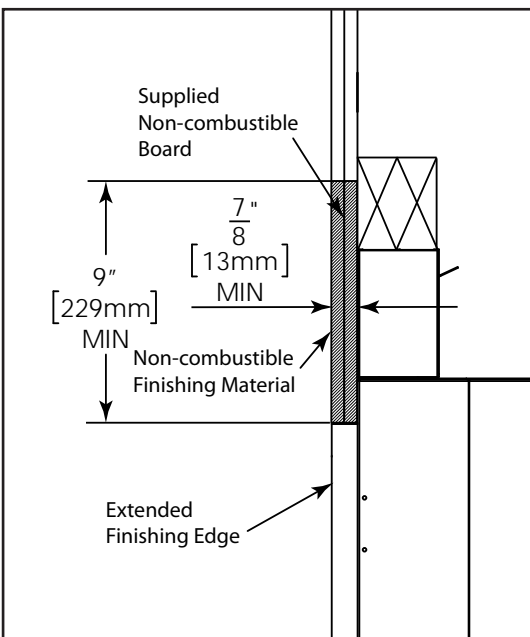
**Standard Install: the Non-combustible is mandatory.** Image shows single layer finishing material using the short finishing edge.



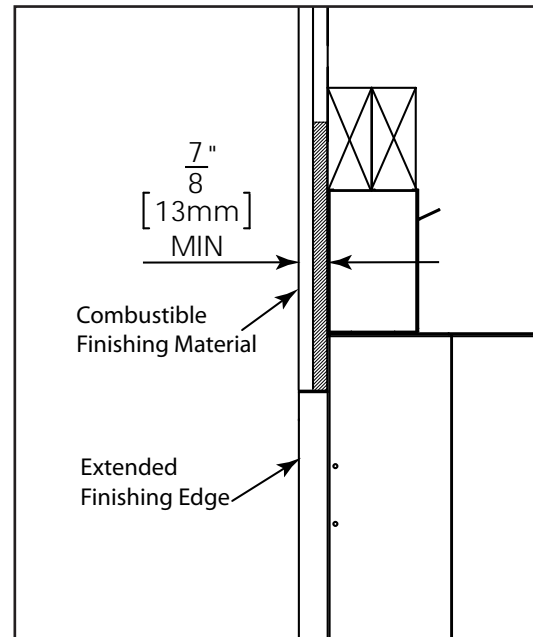
**Cool Surface System (CSS) Install:** Image shows the short finishing edge, **combustible** can be brought right down to the finishing edge.



**Standard Extended Install:** Using the supplied long finishing edge, **non-combustible** material may be layered on top of the supplied Non-combustible board. Supplied board not needed for thick **non-combustible** finishes like rock.



**Cool Surface System Extended Install:** Using the supplied long finishing edge, **combustible** material may be layered on top of the supplied Non-combustible board. Supplied board is not needed for thicker **combustible** finishes.



# INITIAL INSTALLATION

## QUALIFIED INSTALLERS ONLY

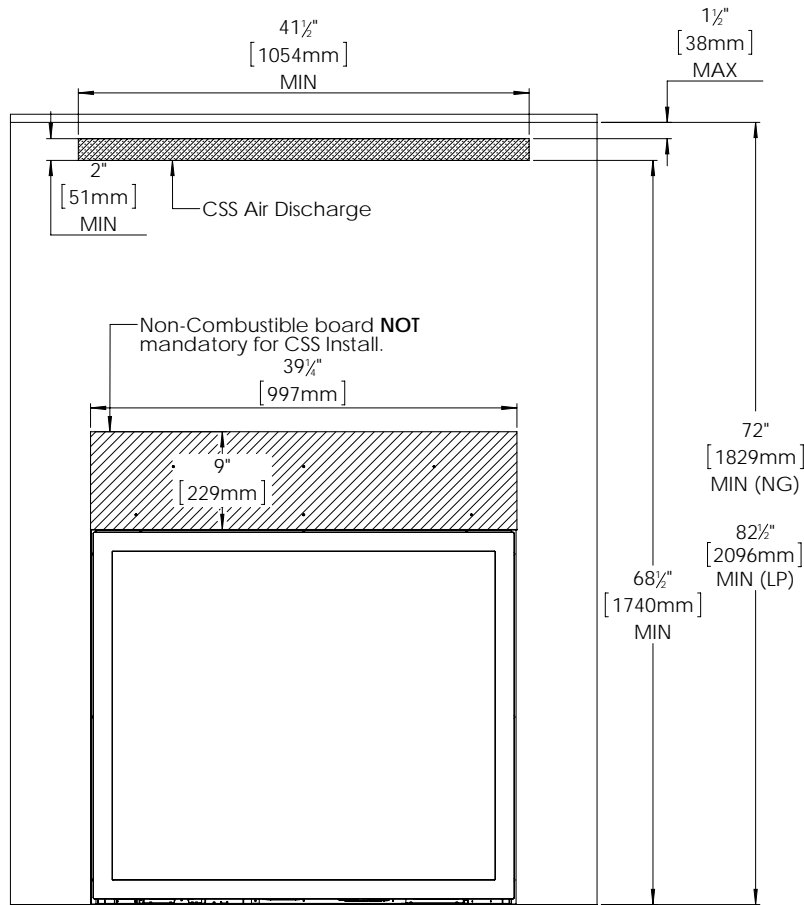
### COOL SURFACE INSTALL OPTIONS:

This fireplace is manufactured with a built-in heat distribution kit, referred to as the Cool Surface System (CSS). The purpose of the CSS is to dramatically reduce the front wall temperatures above your fireplace. This is very useful when delicate objects such as a TV or artwork are mounted above the unit. Using this feature will also allow you to use combustible facing materials right up to the finishing edge. It is extremely important these instructions are followed meticulously. If not installed correctly this could be very dangerous and could lead to building fire. If the CSS is activated it is crucial that the chase is vented in accordance to this manual. There are a few different options available to finish the CSS.

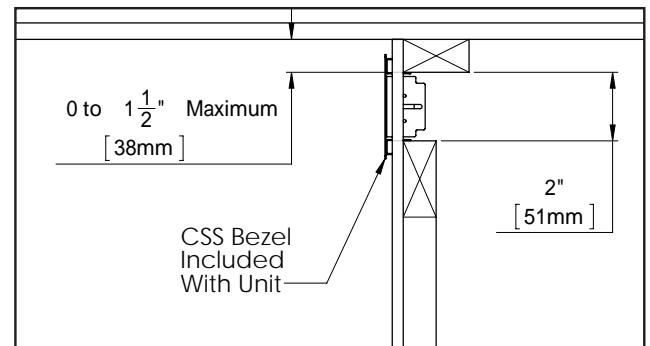
**Option 1: Front Discharge (flush wall installations)** - Construct the framing in a way that provides a minimum 41 1/2 inch (1054mm) by 2 inch (51mm) gap at the top of the facing wall. It is essential that these dimensions are respected and not deviated away from them when using combustible materials inside or outside the chase (see Figure 37).

**Option 2: Front Bezel** - The included bezel may be desired to accentuate the front discharge (Option 1). This installation will also cover the edge of the finishing material at the cutout. The top of the cutout must be 1 1/2" from the top of the chase (see Figure 37 & Figure 38). It is essential that these dimensions are followed and not to deviated from them when using combustible materials inside the chase.

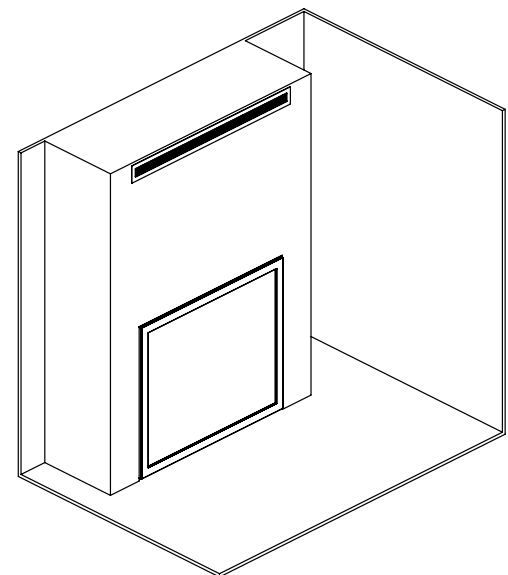
**Note:** If you wish to construct the CSS air discharge part way up a tall wall then it is essential to build a false ceiling inside the chase at the desired height to direct the rising heat out of the gap.



**Figure 37: Options 1 & 2 Front Discharge**



**Figure 38: Option 2 Front Bezel**



**Figure 39: Front Bezel Iso View**

# INITIAL INSTALLATION

## QUALIFIED INSTALLERS ONLY

**Option 3: Side Discharge (built-out installations)** - Construct the framing in a way that provides a minimum 17 inch (432mm) by 2½ inch (64mm) opening on each side of the chase. The top of the opening must be 1 ½" from the top of the chase (see Figure 40 & Figure 41)

**Note:** If you wish to construct the CSS air discharge part way up a tall wall then it is essential to build a false ceiling inside the chase at the desired height to direct the rising heat out of the gap.

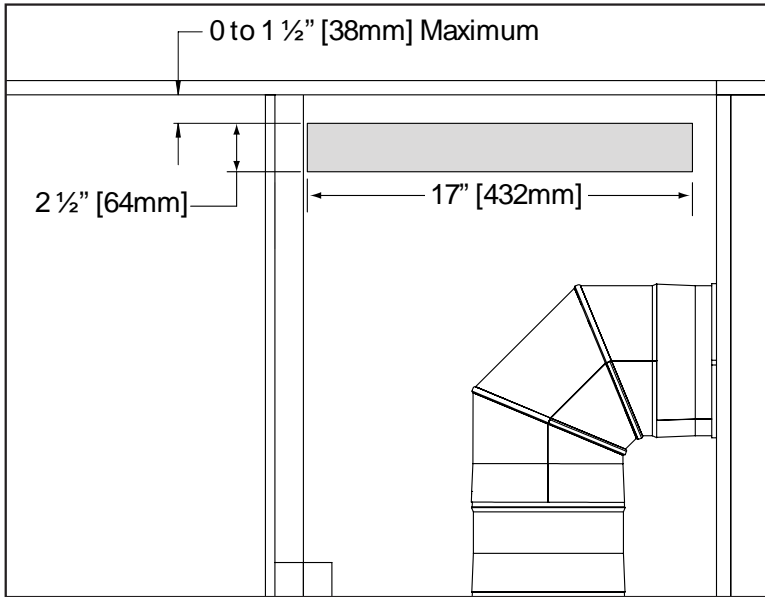


Figure 40: Option 3 Side Discharge

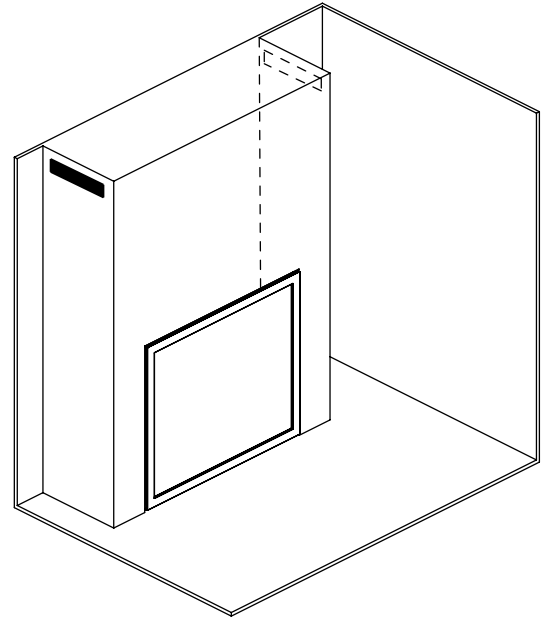


Figure 41: Side Discharge Iso View

**Option 4: Open Chase (built-out installations)** - This could be considered the most discreet option when considering the CSS. The chase must be constructed in a way that stops short of the ceiling, leaving it totally vented above. Minimum framing dimensions must be followed when constructing this option and not to deviated from them when using combustible materials. Consider **Option 5: Valance** to work in conjunction with this option.

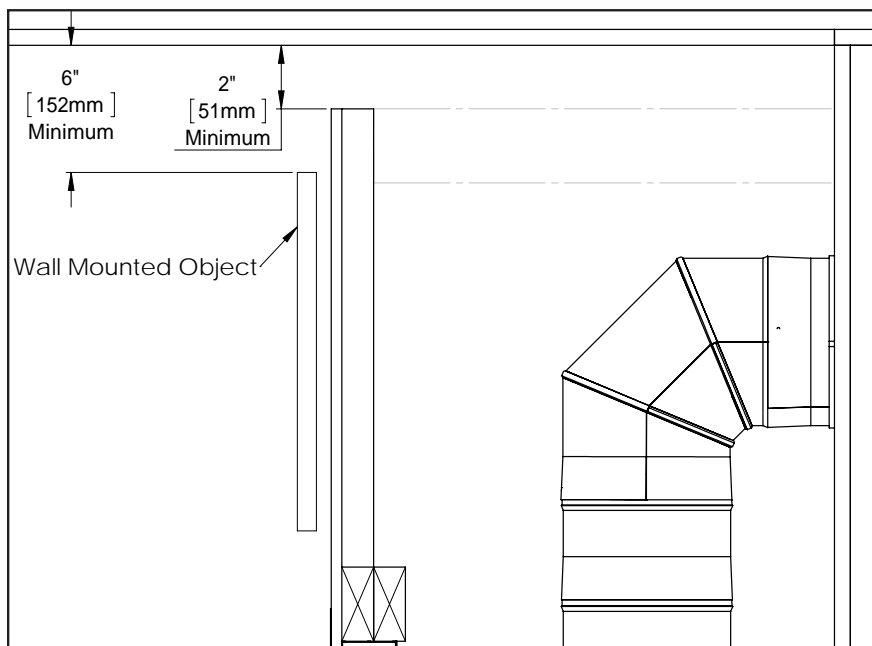


Figure 42: Option 2

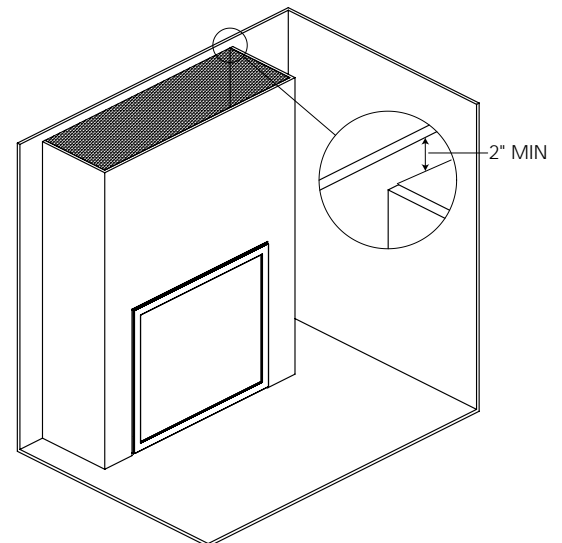


Figure 43: Open Chase Iso View

# INITIAL INSTALLATION

## QUALIFIED INSTALLERS ONLY

**Option 5: Valance** - A valance may be desired to accentuate or hide the CSS outlet. Consider framing option 1 or 4 to utilize the valance feature. This is an optional decorative feature that covers up the CSS outlet gap. Minimum opening and valance dimensions must be followed to ensure safe heat dissipation. Combustible material is acceptable when constructing the valance. It is acceptable to wrap the valance around the three sides of a built out chase (Option 4).

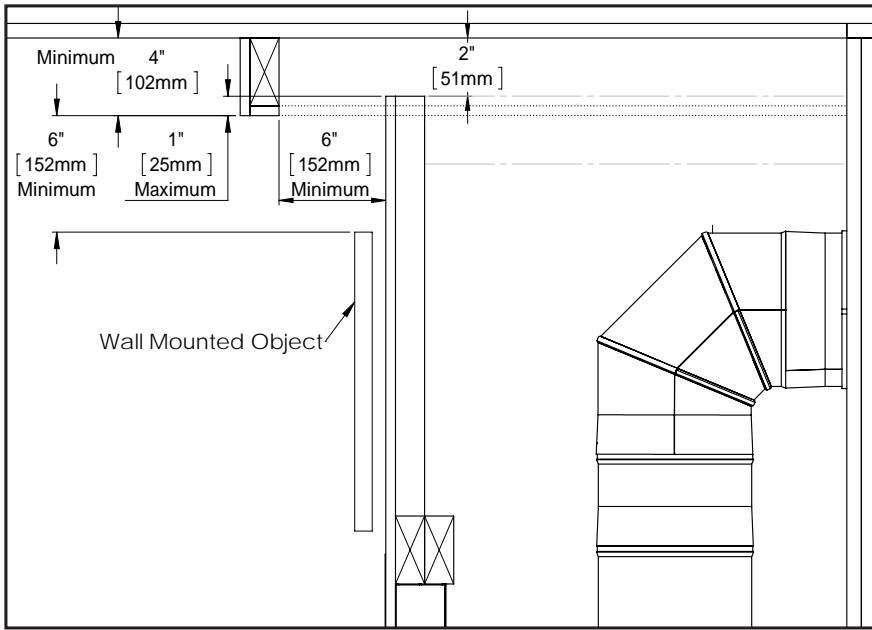


Figure 44: Valance Install

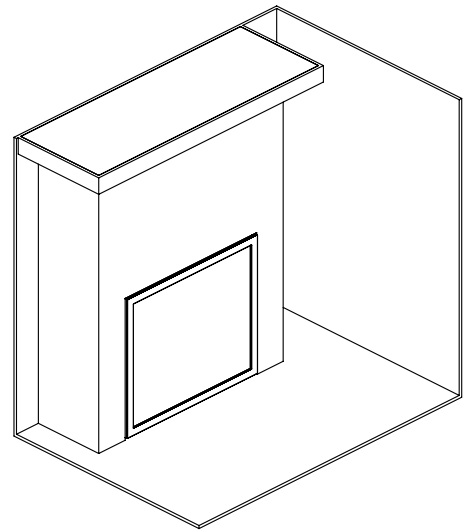


Figure 45: Valance Iso View

**Optional: False Ceiling** - If your ceiling dimension is greater than the minimum (See Figure 48) You may want the CSS Air discharge lower on the wall. To do this a false ceiling is required to properly evacuate the heat from the chase. (See Figure 46).

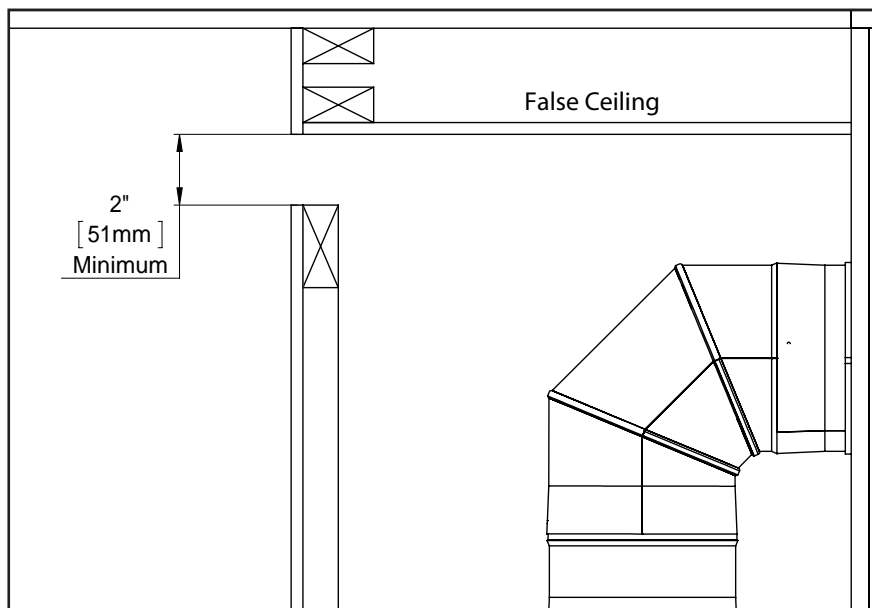


Figure 46: False Ceiling

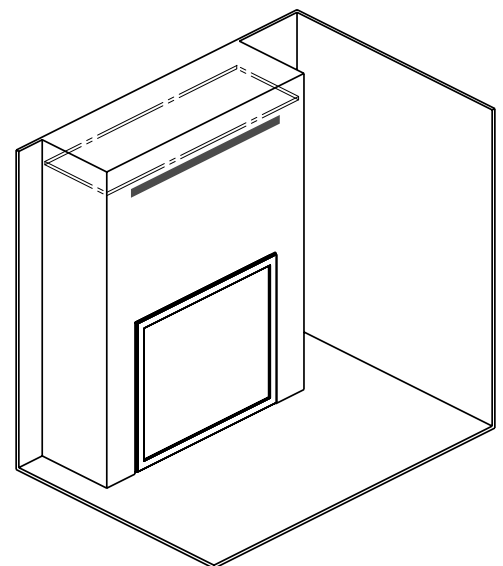


Figure 47: False Ceiling Iso View

# INITIAL INSTALLATION

## QUALIFIED INSTALLERS ONLY

**Option 6: No Visible Discharge w/ Chase Comfort Kit (50-4175)** - If use of the CSS system is desired/required but a visible discharge is not wanted anywhere then the Chase Comfort Kit may be used. The Chase Comfort Kit is a blower motor housing that gets mounted on the same exterior wall as the chase and discharges the heat outside. The Comfort Kit will always be in operation whenever the fireplace is on and the blower speed is non-adjustable. For more details and installation specifications refer to the 50-4175 Chase Comfort Kit manual.

### FLAT WALL INSTALLATION:

These are the minimum allowable dimensions required to safely operate the fireplace. Plan your entire installation before proceeding. These are minimum dimensions associated with natural gas only; adjust the ceiling dimensions by **adding 10.5" (266 mm) if using propane.**

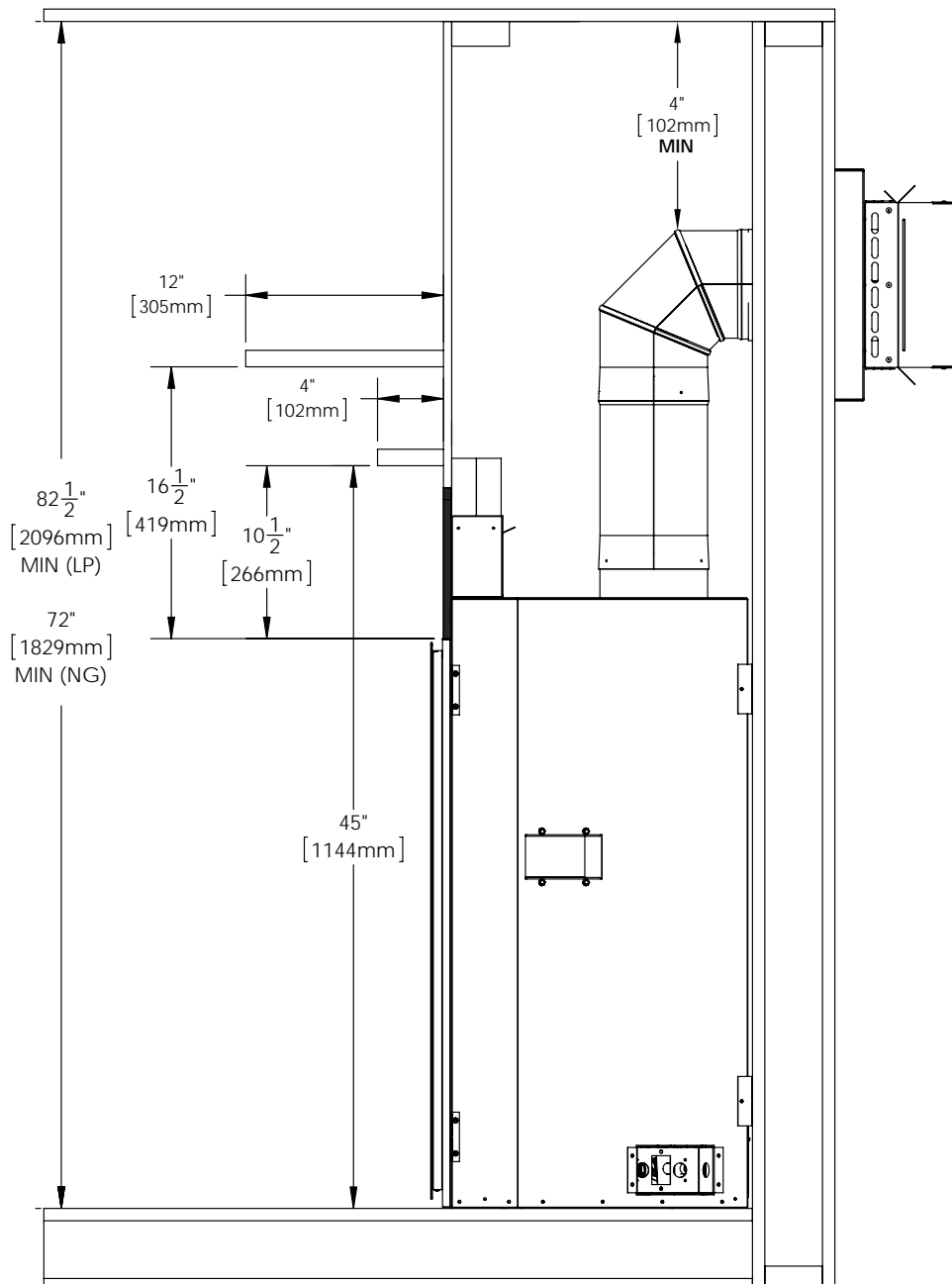


Figure 48: Flat Wall Installation

# INITIAL INSTALLATION

## QUALIFIED INSTALLERS ONLY

### RECESS INSTALLATION

These are the minimum allowable dimensions required to safely operate the fireplace. Plan your entire installation before proceeding. The maximum allowable depth for a recess in  $3\frac{1}{2}''$  (90mm) + Finishing material thickness.

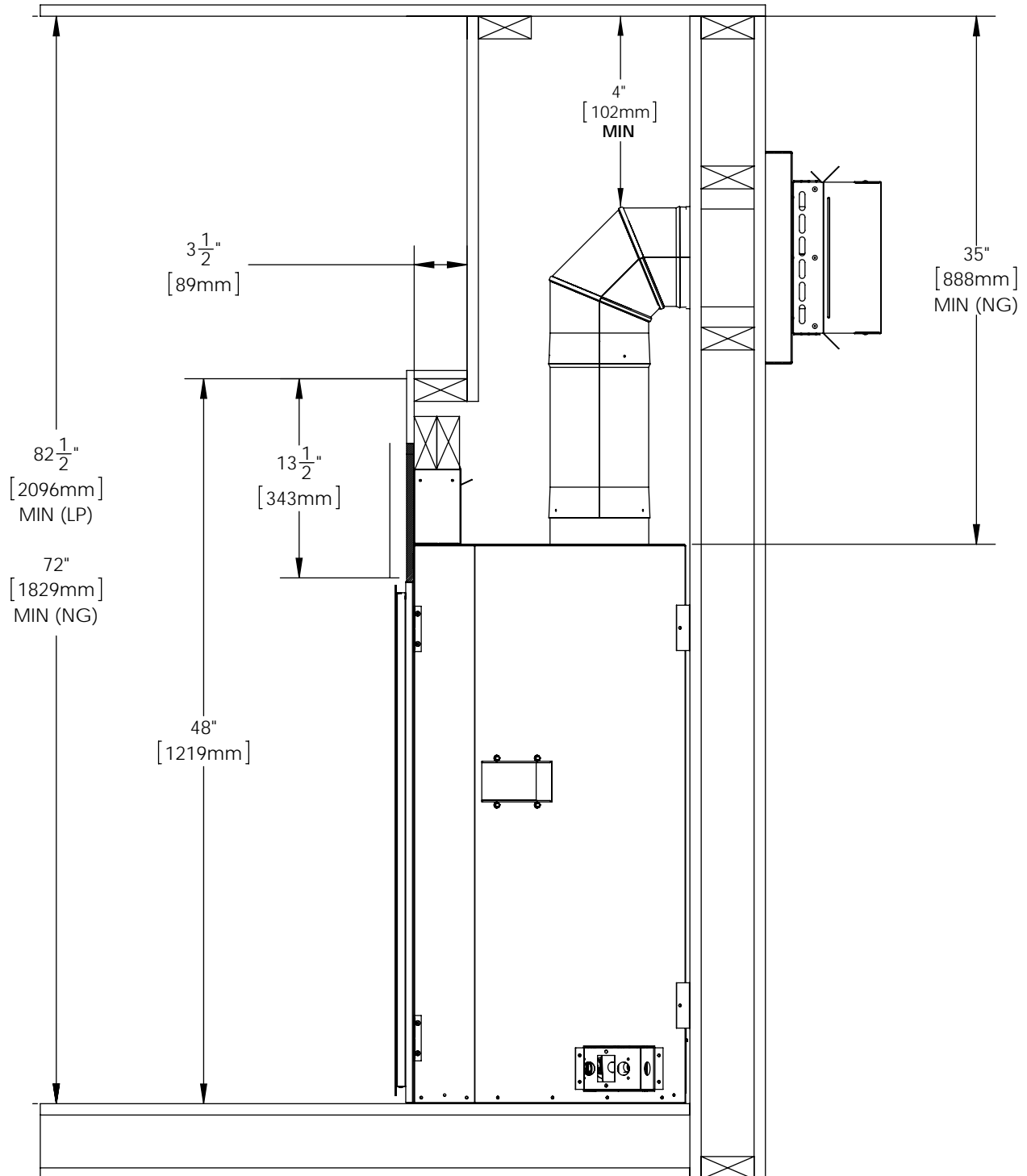


Figure 49: Recess Installation



# INITIAL INSTALLATION

## QUALIFIED INSTALLERS ONLY

### CORNER INSTALLATION:

These are the minimum allowable framing dimensions required to safely operate the fireplace in a corner install. Plan your entire installation before proceeding.

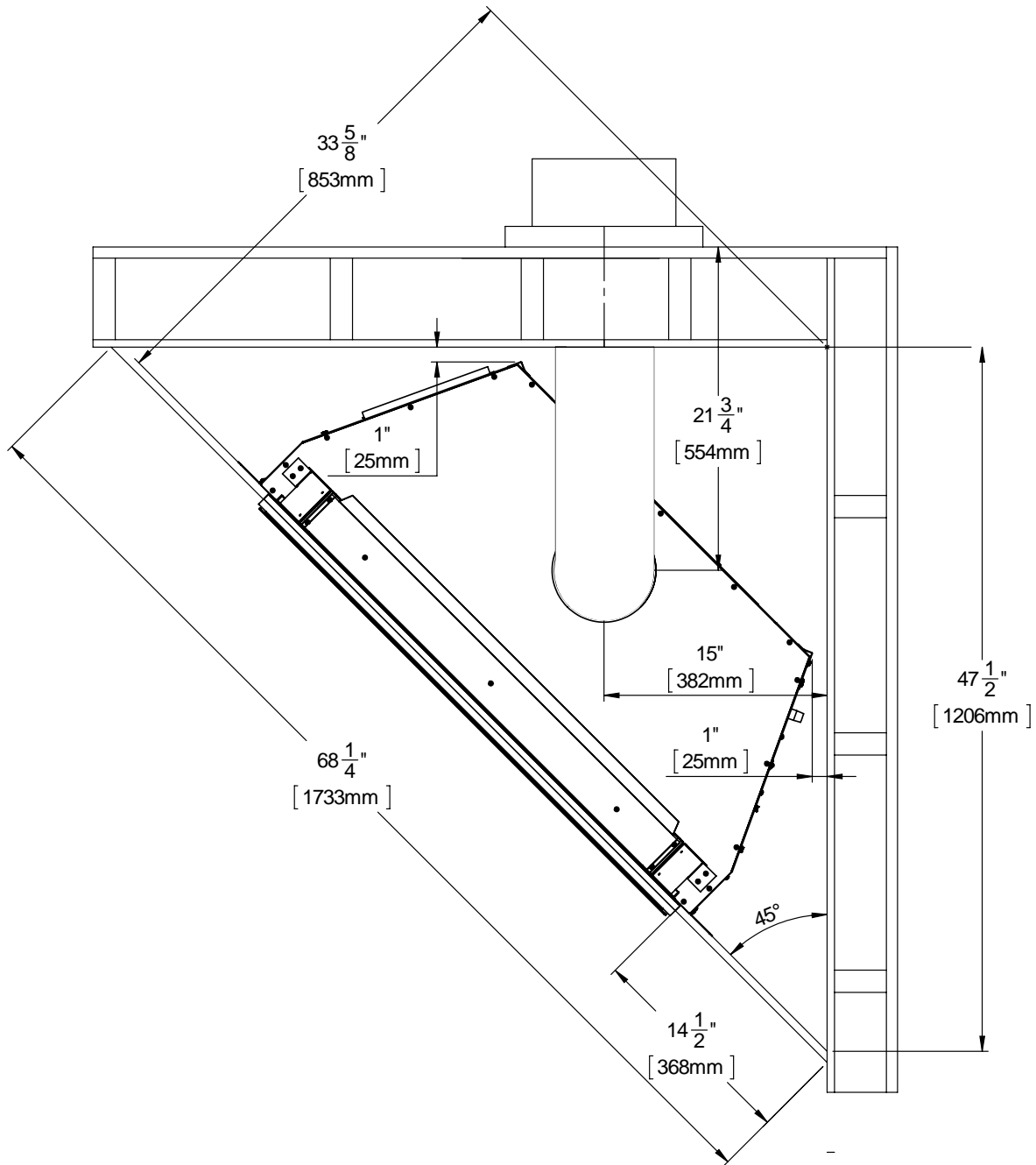


Figure 50: Corner Installation

# INITIAL INSTALLATION

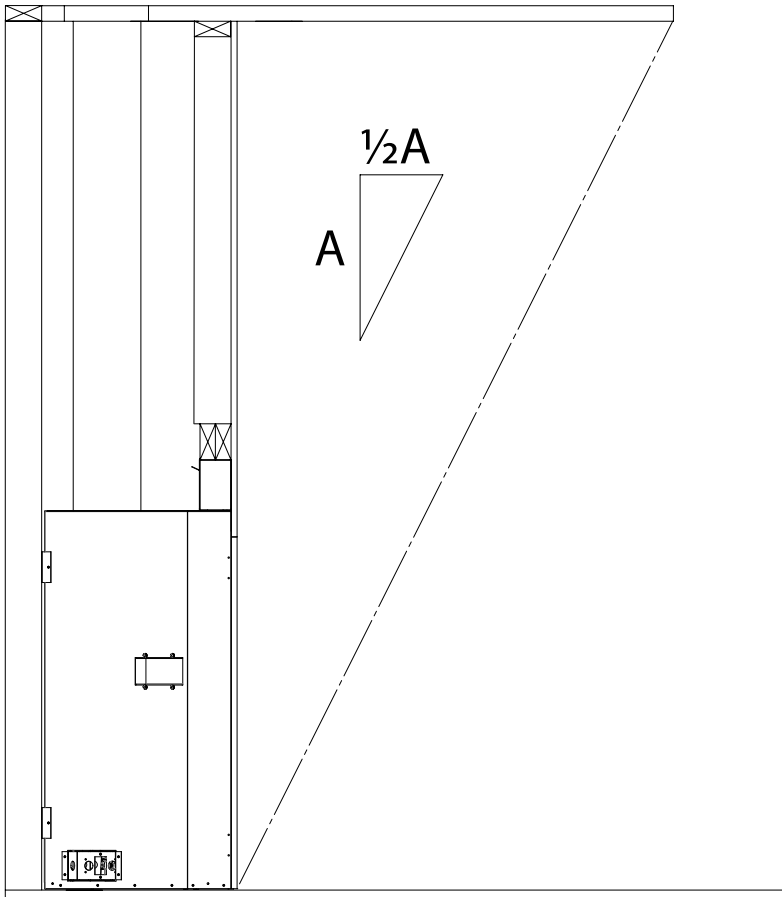
## QUALIFIED INSTALLERS ONLY

### OUTDOOR INSTALL:

**CAUTION** – Installation of an indoor gas fireplace with an outdoor exposure is not covered under the (ANSI Z21.88 – CSA 2.22 or ANSI Z21.50 – CSA 2.33) standard(s) used to certify the indoor gas-fired fireplace. The Intertek safety certification will not apply to this installation method. This installation method must be deemed acceptable by the Authority Having Jurisdiction (AHJ) prior to the indoor gas fireplace being installed.

G39 fireplaces may be installed in a covered outdoor area when following the requirements stated below:

- Fireplace must be installed in a weather proof enclosure while still following all clearance to combustible materials as outlined in the fireplace's manual.



**Figure 51: Overhang Depth Requirements**

- The fireplace cannot serve as part of the building's insulation or weatherproofing barrier. The building must be properly insulated and sealed from the outside prior to installation of the fireplace.
- The fireplace must be protected by an overhang with a depth that is at least equal to half of its height from the base of the fireplace, as shown in Figure 51.

**Example - If the overhang height = 8ft (2.4m) then the required overhang depth must be at least 4ft (1.2m)**

- The width of the covered overhang on each side of the fireplace must also be at least equal to half of its height

**Example - If the overhang height = 8ft (2.4m) then the overhang must extend at least 4ft (1.2m) past each side of the fireplace opening**

- Fireplace may only utilize the Cool Surface System (CSS), or any variant of it, when the covered overhang is flat with no pitch in front or to the side of the fireplace.

- For models equipped with remote control, neither "Smart Mode" nor Thermostat is permitted for use. The fireplace may not be wired to an external thermostat.
- Plated finish surround panels are not permitted for outdoor installation due to the high potential for oxidation to form on the surface.
- Any outdoor furnishings must be kept a minimum of 3ft (0.9m) away from the front of the fireplace.
- Electrical and gas connections must follow applicable codes and standards pertaining to outdoor installations.
- Horizontal termination caps must not discharge into the same space shared by the front of the fireplace. Vertical termination caps are recommended.

# INITIAL INSTALLATION

## QUALIFIED INSTALLERS ONLY

### FLOOR PROTECTION:

The fireplace must be placed on a solid and level floor; plywood is recommended for basic installations. A protective hearth in front of the unit is not required but highly recommended for the longevity of sensitive flooring materials in front of the fireplace.

If masonry is to be used, prepare the necessary foundation for the masonry load. When masonry construction is being used, a lintel must be used over top of the fireplace to support the added weight.

Consider the height of hearth finish material (stone, brick, etc.) when building a fireplace platform. The bottom of the fireplace must be level with finished hearth.

**WARNING: DO NOT OBSTRUCT THE BOTTOM AIR GAP WITH FLOORING MATERIAL. RAISE THE FIREPLACE TO MATCH FLOOR THICKNESS.**

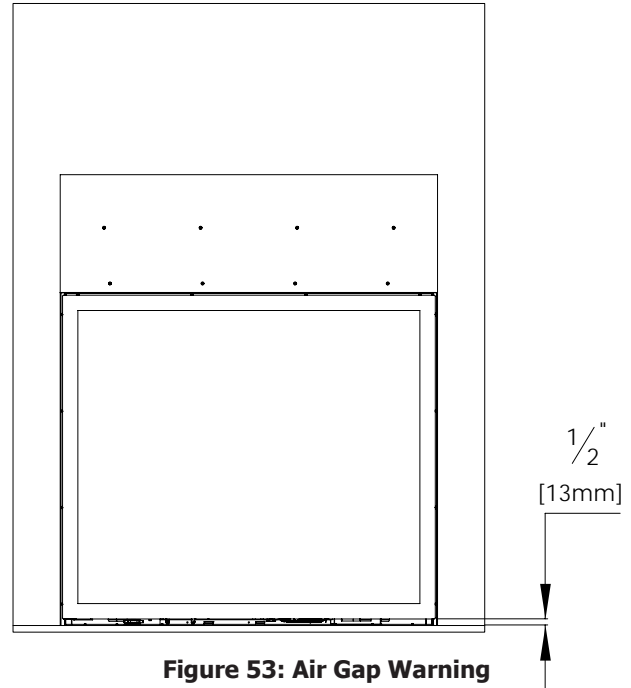


Figure 53: Air Gap Warning

### MANTEL REQUIREMENTS:

First determine what mantel height or depth you would like and use the graph to determine the minimum corresponding dimension. Mantel graph dimensions are measured from the bottom of the fireplace, if you wish to reference the mantel height from the tiling edge subtract 34 1/2" (876mm) from the mantel height depicted on the graph. If you plan to install a TV above your fireplace refer to the appropriate section for available options. **If you are activating the COOL SURFACE SYSTEM you are eligible to subtract 6" (152mm) from the mantel height shown in this diagram.**

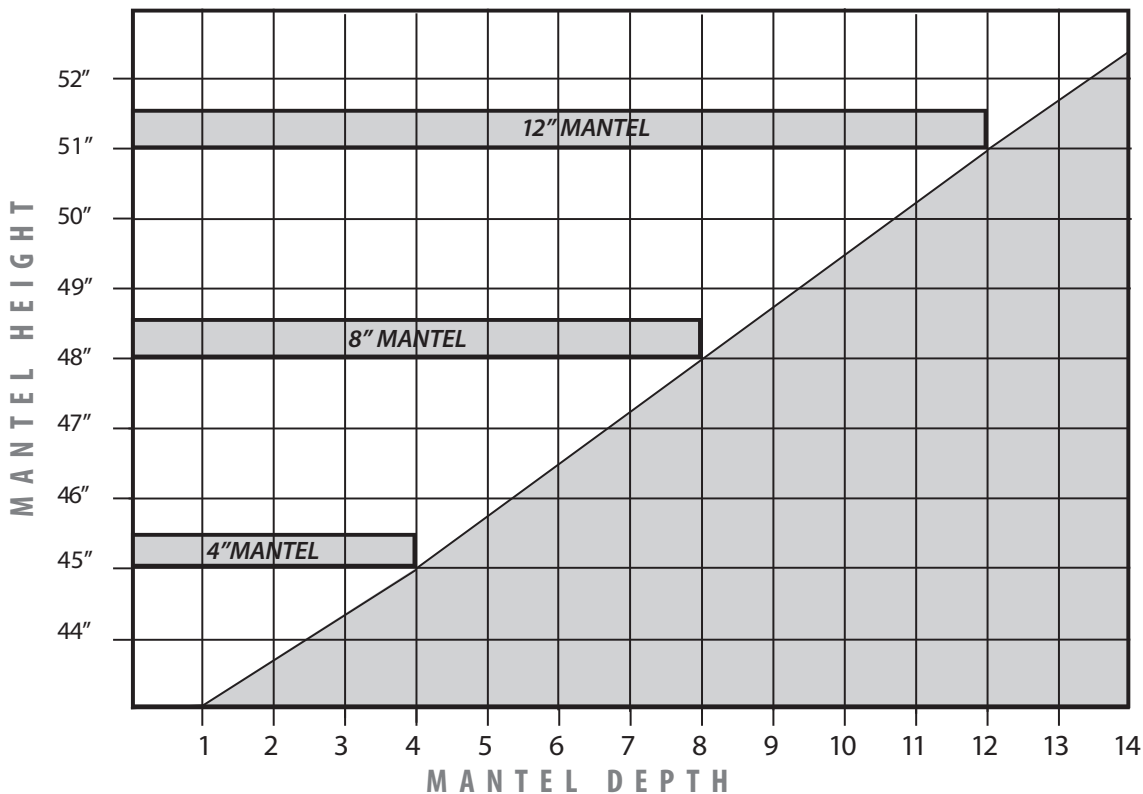


Figure 52: Mantel Graph

# INITIAL INSTALLATION

## QUALIFIED INSTALLERS ONLY

### MINIMUM VENTING REQUIREMENTS:

This appliance uses a 4" (102mm) exhaust / 6 5/8" (168mm) air intake vent pipe system. For safe and proper operation of the appliance follow the venting instructions exactly. Deviation from the minimum vertical length can create difficulty in burner start-up and sooting. Allow several minutes for the flame to stabilize after ignition under extreme vent configurations. It is recommended for vent lengths that pass through unheated spaces (garages, attics, crawl spaces) be insulated to minimize condensation.

**NOTE: Measure your total vent height on the unit before a hole is cut into the exterior wall; account for 1/4" (25mm) of rise for every 12" (305mm) of run to determine your thimble height.**

**NOTE: Center of thimble dimension is base on 12" section of vertical rise for Natural Gas (NG) installs and 12"+12" sections for units converted to Propane (LP).**

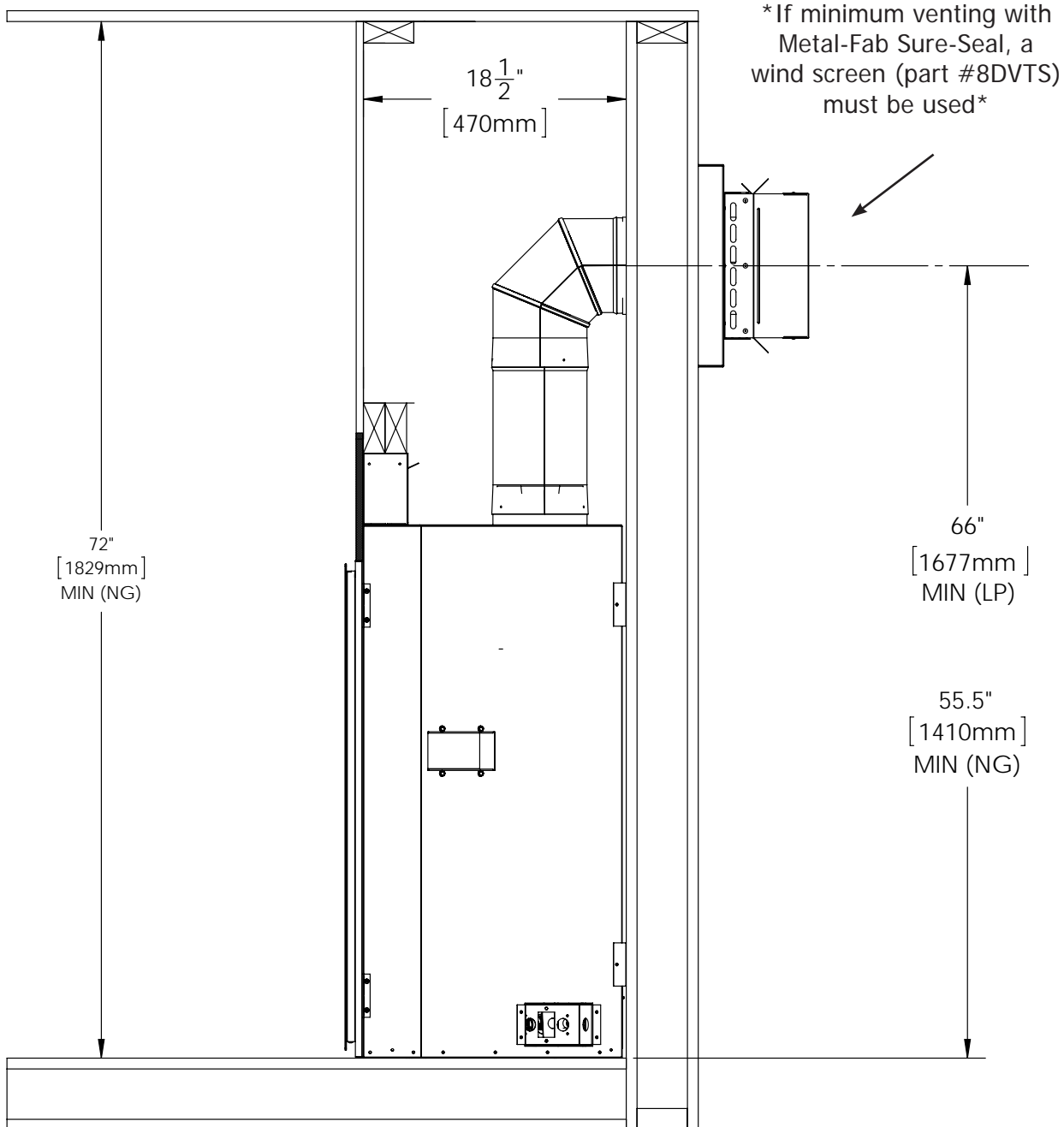


Figure 54: Minimum Vent (NG)

# INITIAL INSTALLATION

## QUALIFIED INSTALLERS ONLY

### FLEX VENTING:

This fireplace is certified to work with aluminium co-axial flex venting. Flex venting can be used in the same configurations as rigid pipe, see venting diagram for details. Flex venting is only to be used for the run, it must be adapted to rigid piping for exterior wall penetration and termination. **Note: Adhere to all rigid venting safety measures and clearances.**

Use 4X7 Flex Adapter Kit [50-3788]: This kit will allow you to adapt co-axial flex to the fireplace, make your vent run, then adapt back to rigid venting (**flex not included**).

Any 4X7 CSA or UL flue gas certified aluminum or stainless steel flex is acceptable. Proper spacers must be used to keep pipes from contacting each other. Proper venting spacers must be used, nothing makeshift. Examples of allowable flex pipe brands include, but are not limited to the following:

- M&G Duravent
- Selkirk Corp
- ICC
- Z-Flex
- Flexmaster
- Chim Flex
- Olympia
- BDM
- Metal-Fab

Only the flex venting and spacers are needed. You must use the flex adapter kit and a certified rigid pipe termination cap.

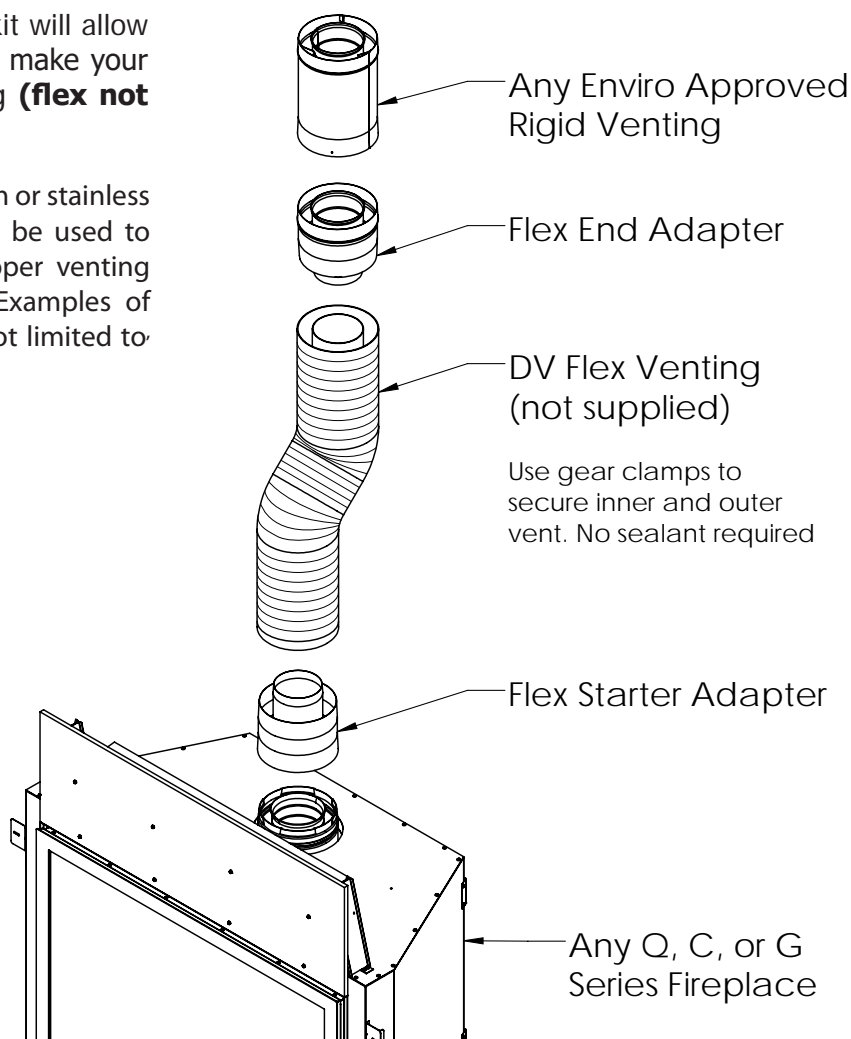


Figure 55: Flex Adapter Kit Install

#### INSTALLATION NOTES:

- Do not bend flex vent over 90 degrees.
- All horizontal runs should have a minimum 1/4" (6mm) rise per foot for optimal performance.
- Do not allow the inner flex pipe to contact the outer pipe, keep it pulled tight and use spacer springs.
- Spacers are required at the start, middle, and end of each elbow to ensure gap is maintained.
- Do not add any extensions to the preset kits, if more length is required, use rigid pipe.
- No need for liquid sealant; secure flex venting with aluminum vent tape and apply sufficient self-tapping screws.

# INITIAL INSTALLATION

## QUALIFIED INSTALLERS ONLY

### CLEARANCES & NON-COMBUSTIBLE :

When installing the fireplace as a zero clearance fireplace the correct clearances and materials must be used.

**ABOVE UNIT:** The supplied noncombustible board is required above the unit up to the header 9" MIN.

However this not required if the Cool Surface System has been properly installed.

**HEADER:** The header can be made up of wood 2x4 construction at or above the top standoffs.

**BELOW UNIT:** Is is recommended the fireplace sit a solid and level piece of 3/4" plywood.

**ADJACENT/SIDEWALL:** There must be a minimum distance of **7" (178mm)** from the finishing edge of the fireplace to an adjacent wall composed of combustible material.

**MANTEL:** It is not necessary to install a mantel, but if one is desired the guidelines as shown in "INITIAL INSTALLATION - MANTEL REQUIREMENTS".

**FLOOR:** The unit must be raised to accommodate flooring thickness. Always ensure convective air gaps around the unit remain unobstructed. Combustible flooring can be used but make sure to review the maximum allowable temperature for your specific flooring material. Since every home and installation is unique, temperatures should be verified at the time of install. A hearth should be installed if temperatures exceed the manufacturers maximum allowable temperature.

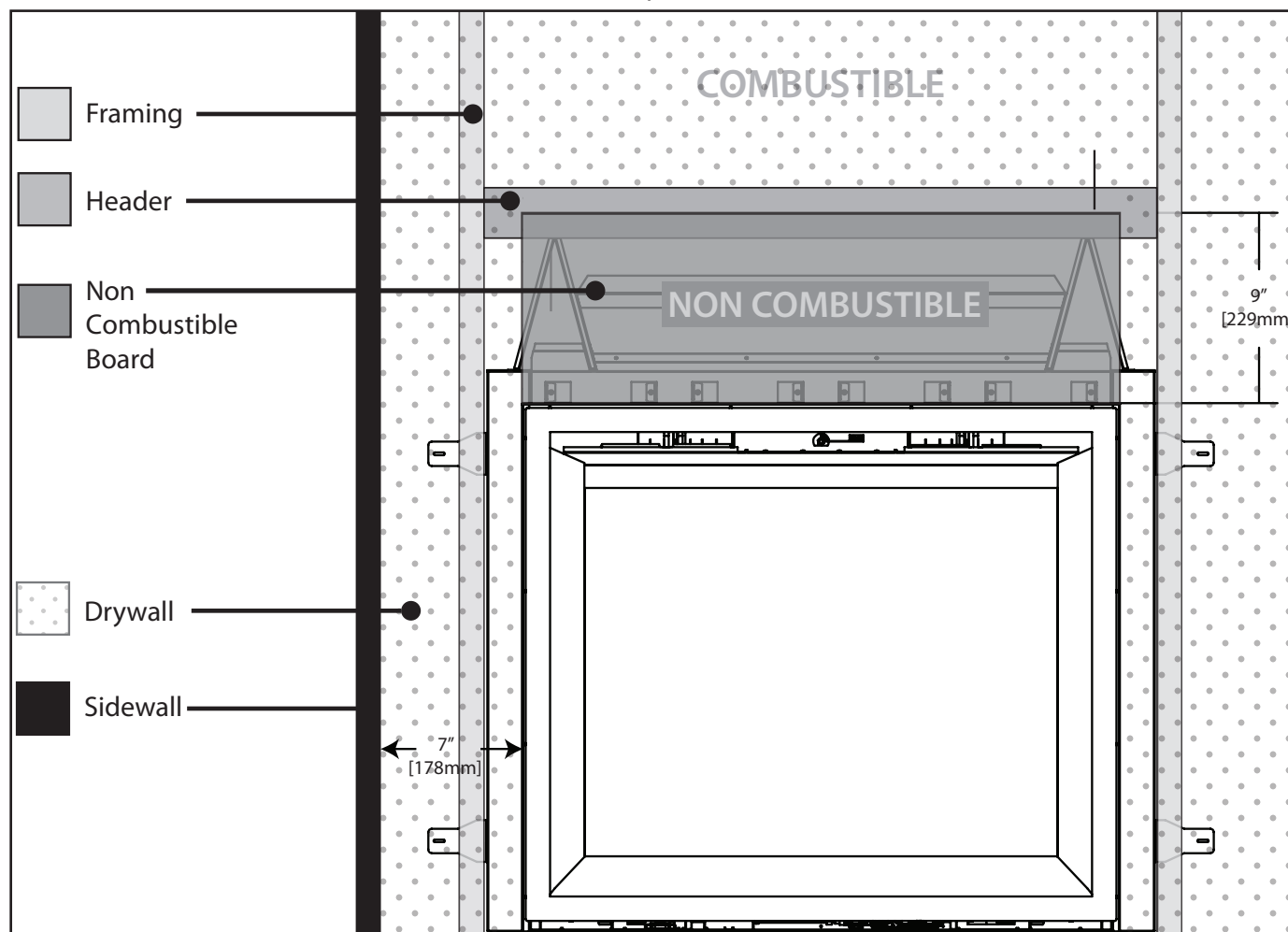


Figure 56: Typical Facing Layout

# INITIAL INSTALLATION

## QUALIFIED INSTALLERS ONLY

### TV INSTALLATION CONSIDERATIONS:

**Use of the Cool Surface System is highly recommended when mounting a TV or delicate artwork above the fireplace.** If the system is not desired, some considerations must be made to ensure above objects are protected from the heat. A recess, mantel, or a combination of both will be needed for heat protection.

**During testing temperatures did not exceed 120F over ambient in a 3 1/2" deep recess.** There is no guarantee that these temperatures will not harm the longevity of your TV. Make sure to consult your TV manufacturer's specifications to find the maximum allowable operating temperature. Since every home and installation is unique, temperatures should be verified at the time of install. A TV should not be installed if temperatures exceed the manufacturer's maximum allowable temperature.

**Mantel Only Installation:** Always maintain minimum clearances (see Figure 57). The total depth of the TV and wall mount will determine the minimum allowable mantel depth. This is required for a standard installation and highly recommended for CSS installations.

**Recess Installation:** Always maintain minimum clearances (see Figure 58). The total depth of the TV and wall mount as well as the recess depth will determine the minimum whether or not a mantel is recommended. A mantel may not be needed if the TV and Mount are low profile enough.

A mantle is not mandatory but highly recommended for protection of a TV. If choosing to not use a mantle you should place the TV as high up the wall as possible. Please consult the TV manufacturer's specifications to find the maximum allowable operating temperature. Temperatures should be confirmed on site after an extended burn.

See "INITIAL INSTALLATION - MANTEL CLEARANCES" and "INITIAL INSTALLATION - RECESS INSTALLATION" for more information.

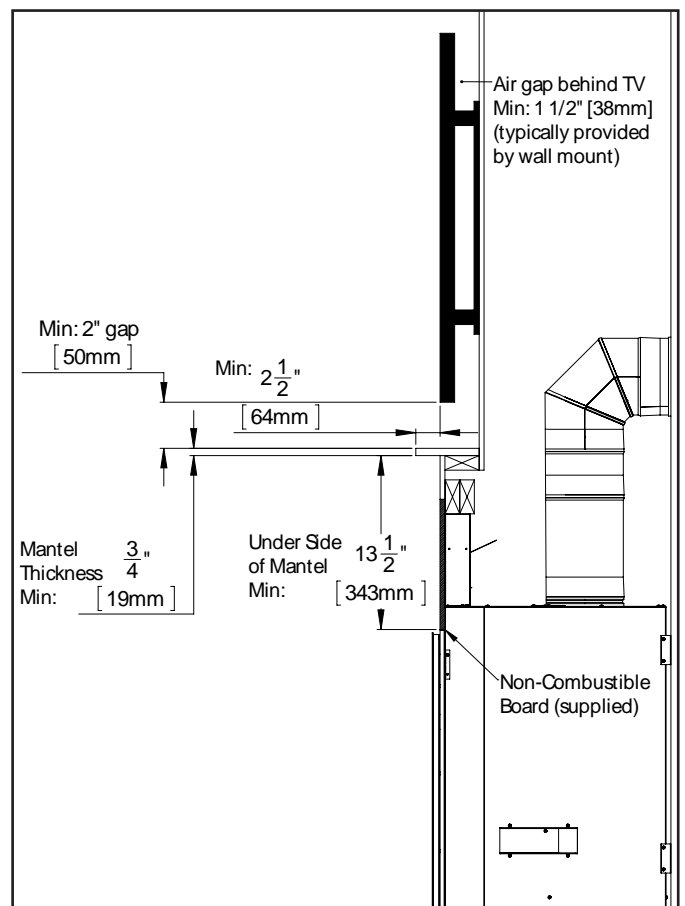
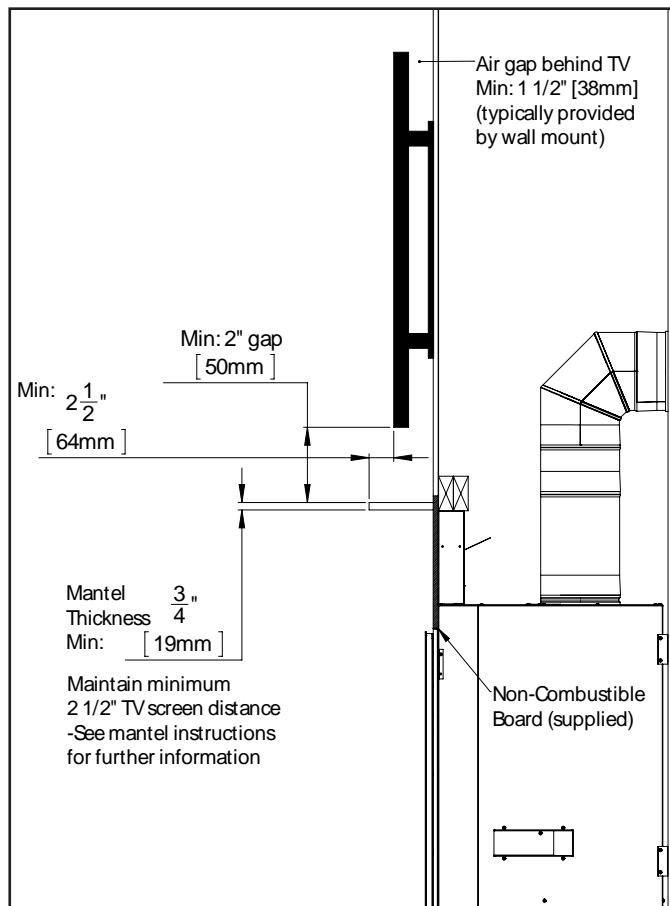


Figure 57: Minimum TV Install

Figure 58: Recess Minimum TV Install

# INITIAL INSTALLATION

## QUALIFIED INSTALLERS ONLY

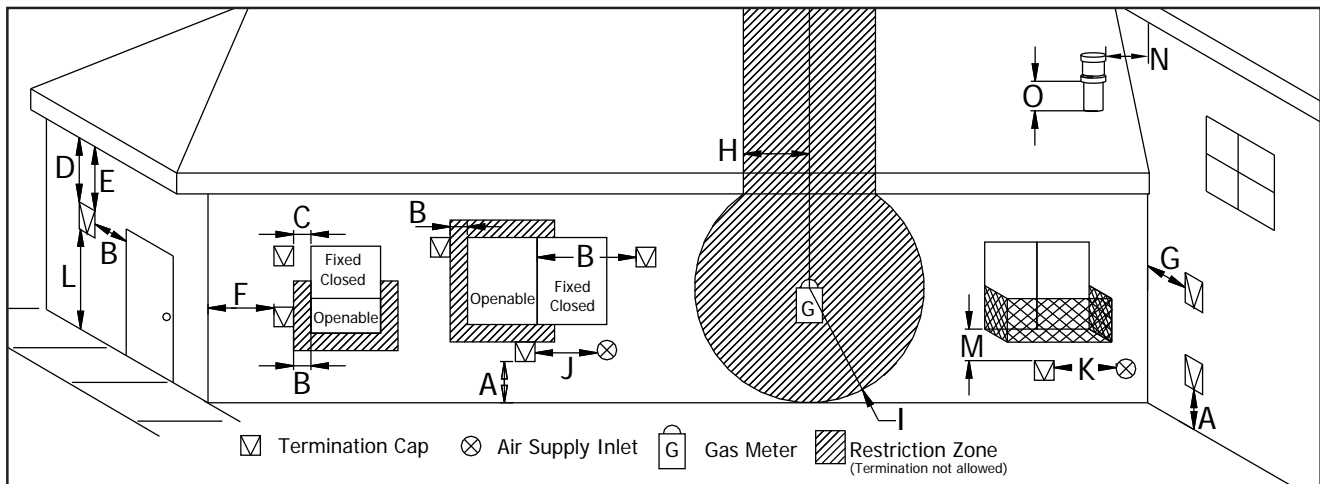
### DIRECT VENT:

#### WARNING:

- Follow the venting instructions exactly for safe and proper appliance operation.
- Use Mill Pac or high temp RTV silicone for all venting connections.
- Risk of fire, explosion, or asphyxiation if improper venting setup.
- Risk of fire, do not allow loose materials or insulation to contact vent pipe. Remove insulation to allow installation of thimble and maintain clearances to combustible materials.

This appliance uses a 4" (102mm) exhaust / 6 5/8" (168mm) air intake vent pipe system. For safe and proper operation of the appliance follow the venting instructions exactly. Deviation from the minimum vertical length can create difficulty in burner start-up and sooting. Allow several minutes for the flame to stabilize after ignition under extreme vent configurations. It is recommended for vent lengths that pass through unheated spaces (garages, attics, crawl spaces) be insulated to minimize condensation. Use at least three (3) screws at each vent connection. Check periodically that the vents are unrestricted, especially the exterior vent cap.

### VENT TERMINATION RESTRICTIONS:



**Figure 59: Vent Termination Restrictions, refer to Table 4**

**Table 4: Vent Termination Clearances MINIMUMS**

| Letter | Canadian Installation <sup>1</sup>   | US Installation <sup>2</sup>  | Description   |
|--------|--|---|---|
| A      | 12 in (30 cm)  |   | Clearance above grade, verandah, porch, deck, or balcony.   |
| B      | 12 in (30 cm)  |   | Clearance from window or door that may be opened.   |
| C      | 12 in (30 cm)*   |   | Clearance from permanently closed window (to prevent condensation).   |
| D      | 14 in (36 cm)  |   | Vertical clearance to ventilated soffit located above the terminal, within a horizontal distance of 14 in (36 cm) from center line of terminal. |
| E      |  |   | Clearance to unventilated soffit.   |
| F      | 12 in (30 cm)*   |   | Clearance to outside corner.  |
| G      | 12 in (30 cm)*   |   | Clearance to inside corner.   |
| H      | 3 ft (91 cm) within a height of 15 ft (4.5 m) above the meter/regulator assembly | 3 ft (91 cm) within a height of 15 ft (4.5 m) above the meter/regulator assembly* | Clearance to each side of center line extended above meter/regulator assembly.  |
| I      | 3 ft (91 cm)   | 3 ft (91 cm)*   | Radial clearance around service regulator vent outlet.  |



# INITIAL INSTALLATION

## QUALIFIED INSTALLERS ONLY

|   |                            |   |   |
|---|----------------------------|---|---|
| J | 12 in (30 cm)              |   | Clearance to non-mechanical air supply inlet to building, or the combustion air inlet to any other appliance. |
| K | 6 ft (1.83 m)              | 3 ft (91 cm) above if within 10 ft (3 m) horizontally | Clearance to mechanical air supply inlet.   |
| L | 7 ft (2.13 m) <sup>†</sup> | 7 ft (2.13 m) <sup>*†</sup>                           | Clearance above paved sidewalk or paved driveway located on public property.                                  |
| M | 12 in / 30 cm <sup>+</sup> | 12 in / 30 cm <sup>*+</sup>                           | Clearance under verandah, porch, deck, or balcony.  |
| N | 12 in (30 cm) <sup>*</sup> |   | Clearance horizontally to any surface (such as an exterior wall) for vertical terminations.                   |
| O | 12 in (30 cm)              |   | Clearance above roof line for vertical terminations.  |

<sup>1</sup> In accordance with the current CSA B149.1, Natural Gas and Propane Installation Code.

<sup>2</sup> In accordance with the current ANSI Z223.1 NFPA 54, National Fuel Gas Code.

\* These numbers are only estimates.

<sup>†</sup> A vent shall not terminate directly above a side walk or paved driveway that is located between two single family dwellings and it serves both dwellings.

<sup>+</sup> Permitted only if verandah, porch, deck, or balcony is fully open on a minimum of two sides beneath the floor.

**Clearances must be in accordance with local installation codes and requirements of the gas supplier.**

**NOTE: Venting terminals shall not be recessed into walls or siding.**

### GENERAL VENTING CLEARANCES:

A **1" (25 mm)** clearance to combustibles must be maintained around any vertical vent pipe. Around a horizontal vent pipe, the clearance to combustibles should be **3" (76 mm)** above and **1" (25 mm)** on the sides and bottom. When combustible materials are directly above the first 90° elbow, **4" (102 mm)** of clearance is necessary.

**Table 5: Vent Pipe Minimum Clearances**

|           | Vertical Pipe to the Side Walls | Horizontal Pipe to the Sides & Bottom | Above First Elbow | Above Subsequent Elbows | Above Horizontal Vent Pipe | Wall Frame 8" (203mm) or less |
|-----------|---------------------------------|---------------------------------------|-------------------|-------------------------|----------------------------|-------------------------------|
| Hard Pipe | 1" (25mm)                       | 1" (25 mm)                            | 4" (102 mm)       | 3" (76 mm)              | 3" (76 mm)                 | 3" top (76mm)                 |

See certified thimbles in venting section and frame accordingly (see Figure 63). A thimble will assure the proper support and spacing requirements for the vent pipe as it passes through the exterior wall.

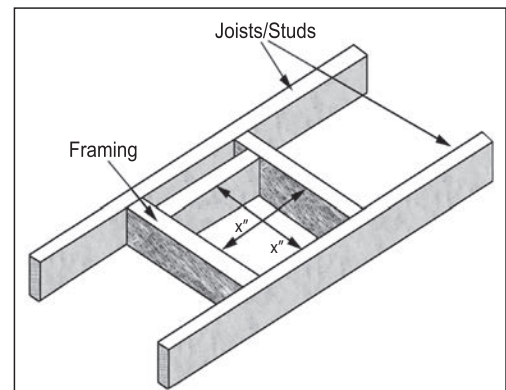
Installations in Canada require that a wall thimble be used for passing through walls and ceilings. All sealing and vapour barriers must comply with local building codes.

The venting configuration depends on the locations of walls, ceilings, and studs. However, the pipes cannot be of arbitrary length and arrangement. Certain guidelines have been set in "INITIAL INSTALLATION - ALLOWABLE CO-AXIAL VENT CONFIGURATIONS" because the length of the vertical and horizontal sections dramatically affects the burning efficiency of the fireplace.

#### WARNING:

**-This gas appliance must be direct vented and can't be connected to a chimney flue serving a separate solid-burning appliances.**

**-Venting terminals cannot be recessed into a wall or siding.**



**Figure 60: Thimble Framing**

# INITIAL INSTALLATION

## QUALIFIED INSTALLERS ONLY

### APPROVED VENTING PARTS:

This fireplace has been tested and certified for use with the venting brand names listed above in Table 6. Refer to Table 7 below for part numbers of commonly used parts for both venting systems. For more venting parts please visit the respective manufacturers' website.

**WARNING: Do not mix parts from different vent manufacturers' systems.**

**EXCEPTION TO WARNING:** This product has been evaluated by Intertek for using a DirectVent Pro starting collar in conjunction with venting brand names listed in Table 6. Use of these systems with the DirectVent Pro starting collar is deemed acceptable and does not affect the Intertek listing of the appliance.

Table 6: Approved Vent Manufacturers

| Manufacturer   | Brand Name      | Nominal Sizes |
|----------------|-----------------|---------------|
| ICC            | EXCELDirect     | 4" x 6 5/8"   |
| M&G Dura-Vent  | Direct Vent Pro | 4" x 6 5/8"   |
| Selkirk        | DIRECT-TEMP     | 4" x 6 5/8"   |
| Selkirk        | AMP DV          | 4" x 6 5/8"   |
| Metal-Fab Inc. | Sure-Seal       | 4" x 6 1/2"   |

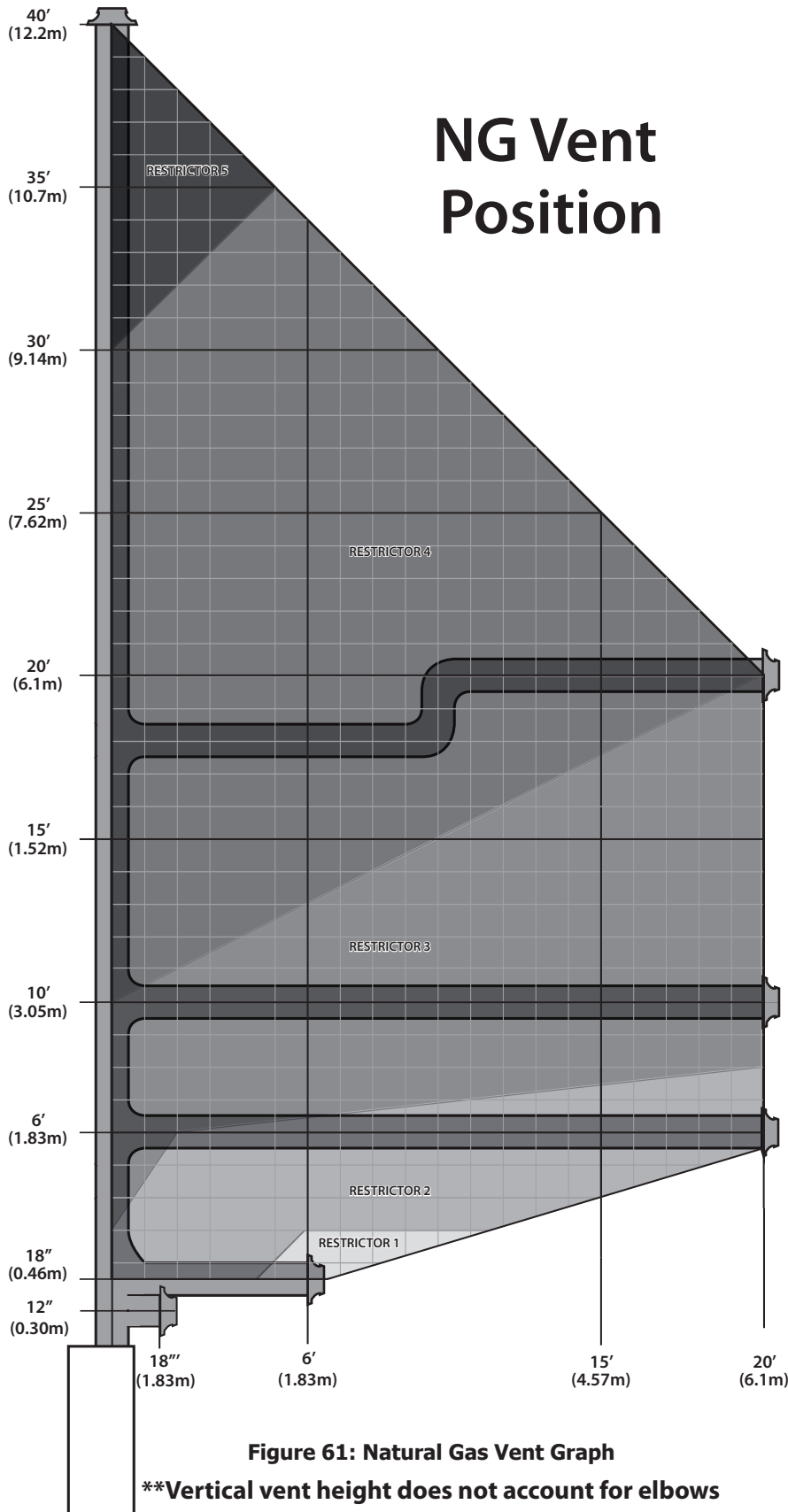
Table 7: Vent Part Numbers (must state if galvanized or black wanted)

| M&G Duravent<br>Direct Vent Pro | ICC<br>EXCELDirect | Selkirk<br>DIRECT-TEMP | Amerivent<br>AMV DV | Metal-Fab<br>Sure-Seal DV | Description                        |
|---------------------------------|--------------------|------------------------|---------------------|---------------------------|------------------------------------|
| 46DVA-06                        | 4DL6               | 4DT-06                 |                     | 4D6                       | 6" pipe length                     |
|                                 |                    |                        | 4D7                 |                           | 7" pipe length                     |
| 46DVA-09                        | 4DL9               | 4DT-09                 |                     |                           | 9" pipe length                     |
| 46DVA-12                        | 4DL1               | 4DT-12                 | 4D12                | 4D12                      | 12" pipe length                    |
| 46DVA-18                        |                    | 4DT-18                 |                     | 4D18                      | 18" pipe length                    |
| 46DVA-24                        | 4DL2               | 4DT-24                 | 4D2                 | 4D24                      | 24" pipe length                    |
| 46DVA-36                        | 4DL3               | 4DT-36                 | 4D3                 | 4D36                      | 36" pipe length                    |
| 46DVA-48                        | 4DL4               | 4DT-48                 | 4D4                 | 4D48                      | 48" pipe length                    |
| 46DVA-60                        |                    |                        |                     |                           | 60" pipe length                    |
| 46DVA-E30                       |                    |                        |                     |                           | 30° elbow                          |
| 46DVA-E45                       | 4DE45              | 4DT-EL45               | 4D45L               | 4D45L                     | 45° elbow                          |
| 46DVA-E90                       | 4DE90              | 4DT-EL90               | 4D90L               | 4D90A, 4D90L              | 90° elbow                          |
| 46DVA-VSS, DVA-BVS              | VSS                | 4DT-VS/VSK             | 4DHVS, DVSK         | 4DVS                      | Vinyl siding standoff/shield       |
| 46DVA-WT, 46DVA-WTU             | 4WT                | 4DT-WT                 | 4DWT                | 4DWT, 4DWT11              | Wall thimble                       |
| 46DVA-SC                        | SQSC, SC           | 4DT-SC                 | 4DSC                | 4DSC                      | Storm collar                       |
| 46DVA-WFS                       |                    | 4DT-FS                 |                     | 4DFSH                     | Wall Fire stop                     |
| 46DVA-FS                        | 4CS                | 4DT-FS                 | 4DFSP               | 4DFS, 4DSPFS              | Ceiling Fire stop                  |
| 46DVA-IS                        | 4AS                | 4DT-AIS                | 4DAIS12, AIS36      | 4DIS                      | Attic Insulation Shield            |
| 46DVA-WS                        | 4WS                | 4DT-WS/B               | 4DWS                | 4DWS                      | Wall strap/support/band            |
| 46DVA-VCH                       | 4SVT               |                        |                     | 4DVT                      | High wind vertical termination     |
| 46DVA-HC                        | 4HT                | 4DT-HC                 | 4DHCS               | 4DHT                      | High wind horizontal termination   |
| 46DVA-WG                        | 4HTS               |                        | 4DHWS               | 8DVTS                     | Horizontal Wind / Heat Guard       |
| 46DVA-VWG                       | 4SVTS              |                        |                     |                           | Vertical Wind Guard                |
|                                 |                    |                        |                     | 5DAL                      | 3" to 10" pipe, adjustable         |
| 46DVA-17TA                      |                    |                        |                     |                           | 11" to 17" pipe, adjustable        |
| 46DVA-24TA                      |                    |                        |                     |                           | 17" to 24" pipe, adjustable        |
|                                 | 4DLA30             |                        |                     |                           | 16.5" to 29" pipe, adjustable      |
|                                 | 4DLS1              |                        |                     |                           | 1 7/8" to 9" slip length pipe      |
|                                 | 4DLS2              |                        |                     |                           | 1 7/8" to 21" slip length pipe     |
| 46DVA-F6                        | 6EFA               | 4DT-AF6                | 4DF                 | 5DF                       | Flashing, 0/12 to 6/12 roof pitch  |
| 46DVA-F12                       | 6EFB               | 4DT-AF12               | 4DF12               | 5DF-12                    | Flashing, 7/12 to 12/12 roof pitch |
| 46DVA-FF                        | 6EF                |                        |                     | 5DFT                      | Flat Roof Flashings                |
| 46DVA-CFK                       | 4MF                |                        |                     |                           | Masonry Flashing                   |
| 46DVA-KCT                       | MA                 | 4DT-MCK                | 4DRCKM              |                           | Masonry Conversion Kit [USA only]  |

# INITIAL INSTALLATION

## QUALIFIED INSTALLERS ONLY

### ALLOWABLE CO-AXIAL VENT CONFIGURATIONS:



This shows the range of venting options using either vertical or horizontal terminations; any layout that remains within the shaded area is acceptable. Having the fewest number of elbows is ideal as they restrict air movement. The total length of horizontal vent pipe can not exceed 20 feet (6.1m) and the total vertical vent length can not exceed 40ft (12.2m). Any combination of rise and run can be used as long as it lays within the shaded area (a total of three (3) 90° elbows or six (6) 45° elbows can be used. In addition to what is shown, if a 90° elbow is used in the horizontal plane, 3 feet (91.4cm) must be subtracted from the allowable horizontal run (for each 45° elbow, 1½ feet (45.7cm) must be subtracted).

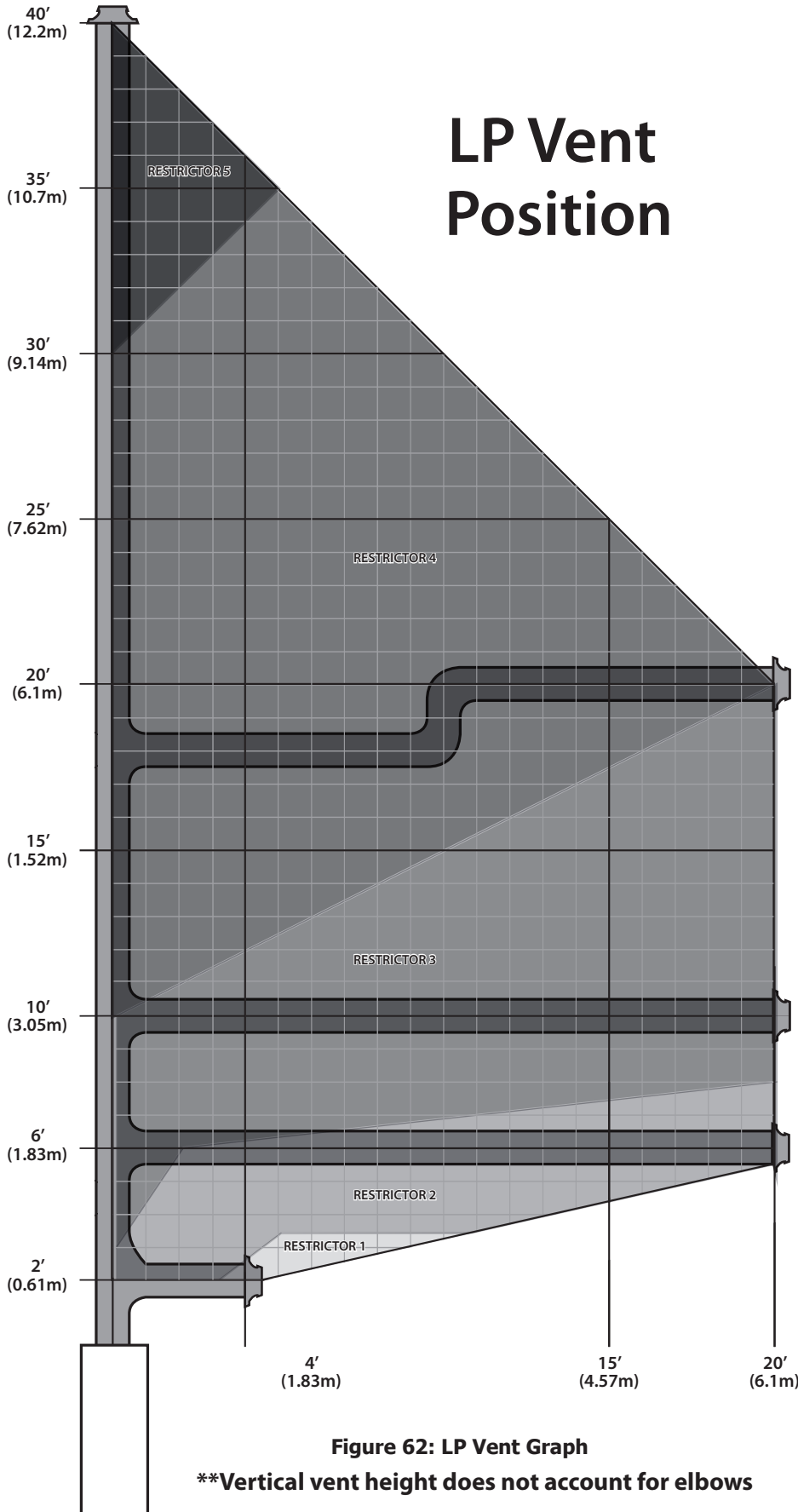
**Restrictor Setting:** Find the point on the graph where your vent configuration will terminate. Remember to consider elbows in the HORIZONTAL plane account for horizontal distance as stated above. Use the corresponding exhaust restrictor setting indicated on the graph. See the following section in this manual for restrictor details. Your climate and altitude may alter what restrictor is required for your particular application.

High wind guard required for all vertical vent runs with no horizontal run.  
**ICC EXCELDirect™-SVTS**  
**M&G Duravent Pro 46DVA-VWG**

**Does your vent configuration fall outside the limits?** Use our power vent kit (50-3884) for a much broader venting range.

# INITIAL INSTALLATION

QUALIFIED INSTALLERS ONLY



**ONLY use this venting diagram if your fireplace has been converted to LP.**

**Restrictor Setting:** Find the point on the graph where your vent configuration will terminate. Remember to consider elbows in the HORIZONTAL plane account for horizontal distance as stated above. Use the corresponding exhaust restrictor setting indicated on the graph. See the following section in this manual for restrictor details. Your climate and altitude may alter what restrictor is required for your particular application.

High wind guard required for all vertical vent runs with no horizontal run.  
**ICC EXCELDirect TM-SVTS**  
**M&G Duravent Pro 46DVA-VWG**

**Does your vent configuration fall outside the limits?** Use our power vent kit (50-3884) for a much broader venting range.

# INITIAL INSTALLATION

## QUALIFIED INSTALLERS ONLY

### EXHAUST RESTRICTOR SETTING:

**WARNING: Improperly set restrictor setting can cause overheating issues which can lead to building fire.**

It may be necessary to adjust the exhaust restrictor in order to control combustion quality and flame appearance. There are six different restrictor settings.

Determine what restrictor setting you require using the vent graphs in "INITIAL INSTALLATION - ALLOWABLE CO-AXIAL VENT CONFIGURATIONS. The restrictor is set to 1 when the flat edge of the dial is vertical (see Figure 64). Rotate the dial counter-clockwise to increase the restriction level successively until the appropriate setting is achieved. When the flat edge is horizontal the restrictor level is at its maximum (see Figure 63). The proper setting is crucial for an efficient burn and best possible flame appearance.

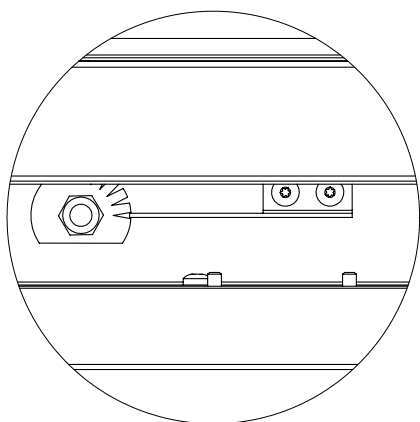
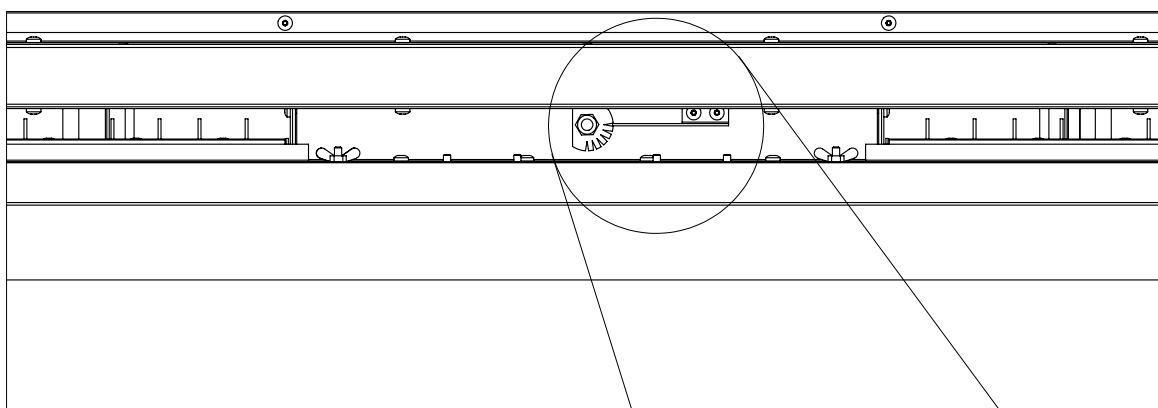
It may be necessary to deviate from the recommended setting as different altitudes and climates can vary the operation of the fireplace. With LP fueled fireplaces, it is always a good idea to offer slightly less restriction for higher altitudes to reduce the risk of sooting over an extended period.

**Step 1.** Remove surround panel to gain access to restrictor control.

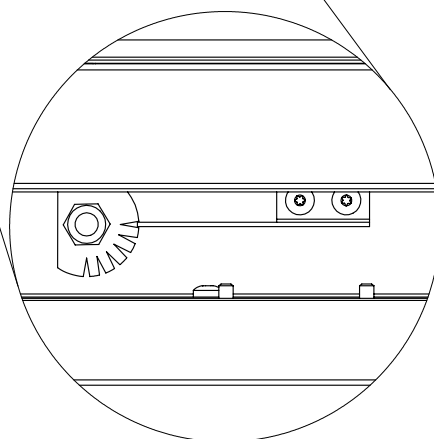
**Step 2.** Use a 7/16 socket with long extension to adjust the restrictor dial according to the vent graph.

**Step 3.** Allow unit to warm up sufficiently and make adjustment as needed.

**Step 4.** Allow unit to cool down and reinstall surround panel.



**Figure 63: Restrictor Setting 6**



**Figure 64: Restrictor Setting 1**

# INITIAL INSTALLATION

## QUALIFIED INSTALLERS ONLY

### HORIZONTAL TERMINATION:

1. A minimum of 12"(NG) or 24"(LP) vertical rise before an elbow is required when horizontally terminating with an approved venting cap.
2. Horizontal pipes must not be level. For every 12" (305 mm) of horizontal travel there should be at least ¼" (6.4 mm) of vertical rise. Never allow the vent to run downward, as this could cause high temperatures or even present the possibility of a fire.

3. The exterior of the horizontal vent termination must not be blocked or obstructed.
4. If the vent termination is not being attached to wood, the four wood screws provided should be replaced with material appropriate fasteners.
5. For buildings with vinyl siding, a vinyl standoff should be installed between the vent cap and the exterior wall. Attach the vinyl siding standoff to the horizontal termination. Note that the termination screws onto the flat portion of the standoff which provides an air space between the wall and the vent termination. The air gap prevents excessive heat from possibly melting the vinyl siding.
6. Horizontal pipes must be supported every 3' (914 mm). Plumber's "all round" strap will suffice.

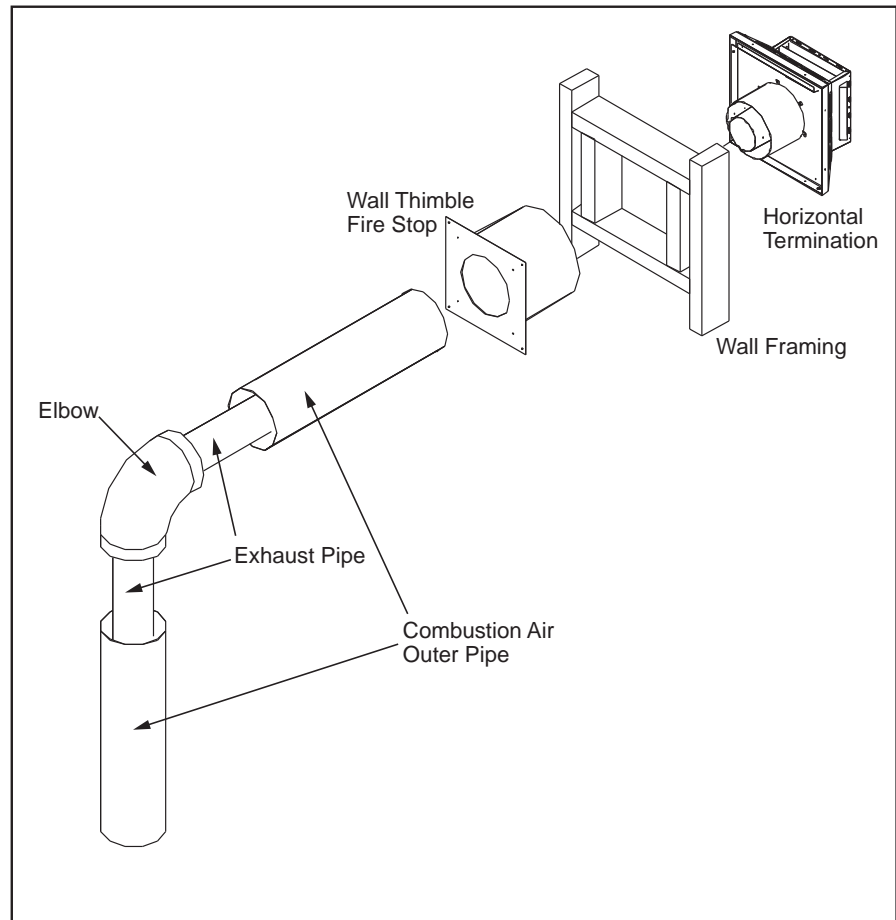


Figure 65: Horizontal Vent Termination

7. Ensure venting clearances are maintained, see page 41 for details.

**Step 1.** Set the fireplace in the desired location. Check to determine if wall studs will be in the way when the venting system is attached. If this is the case, the location of the fireplace may have to be adjusted or the venting may have to be offset.

**Step 2.** Many direct vent pipe sections are designed with special twist-lock connections. Dry fit the desired combination of pipe and elbows to the appliance adaptor.

**Step 3.** With the pipe in the correct position and attached to the fireplace, mark the wall for a hole as directed by specified wall thimble dimensions. Cut and frame the hole in the exterior wall where the vent will be terminated. If the wall being penetrated is made of a non-combustible material (i.e. masonry or concrete) a minimum **7 1/2" (191mm)** hole is acceptable.

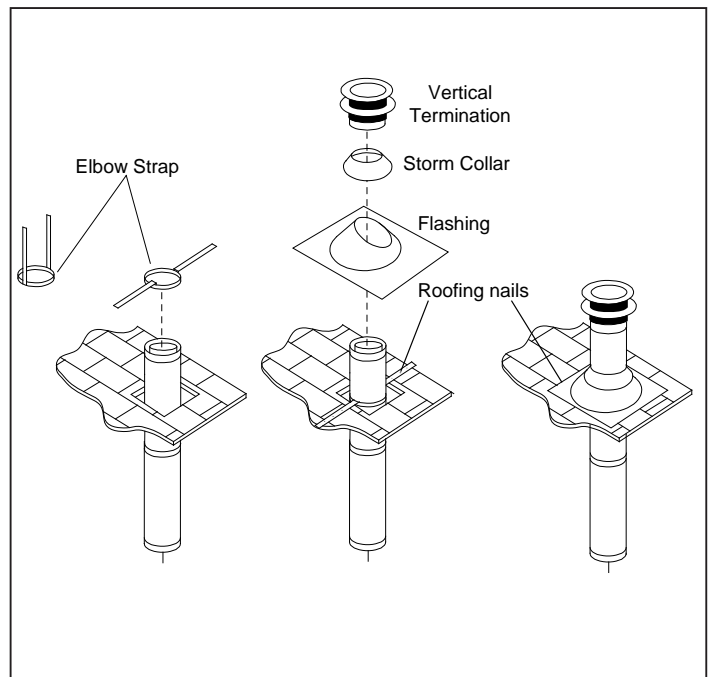
# INITIAL INSTALLATION

## QUALIFIED INSTALLERS ONLY

- Step 4.** The vent pipe must extend into the vent cap at least **1 1/4" (320 mm)**. Secure the connection between the vent cap and the pipe by attaching the two (2) sheet metal straps, which extend from the vent cap assembly to the outer wall of the vent pipe. Bend any remaining portion of the strap back towards the vent cap.
- Step 5.** Position the horizontal vent termination in the center of the thimble and attach to the exterior wall with the four screws provided. The arrow on the vent termination must be pointing up. Run a bead of high-temp silicone around the edges of the vent cap to make a seal with the wall. Ensure the proper clearances to combustibles have been maintained.

### VERTICAL TERMINATION:

- Step 1.** Check "INITIAL INSTALLATION - VENTING CLEARANCES" for required clearances to combustibles when passing through ceilings, walls, roofs, enclosures, attic rafters, or other nearby combustible surfaces. Do not pack air spaces with insulation.
- Step 2.** Set the fireplace in the desired location. Drop a plumb bob down from the ceiling to the fireplace flue exit and mark the location where the vent will penetrate the ceiling. Drill a small hole at this point. Next, drop a plumb bob from the roof to the hole and mark the spot where the vent will penetrate the roof. Determine if ceiling joists, roof rafters, or other framing will obstruct the venting system. Relocate the fireplace or offset the venting to avoid cutting load bearing members.

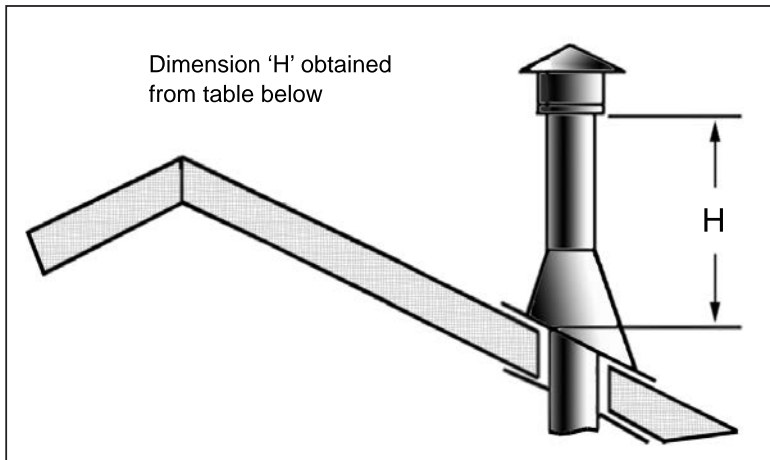


**Figure 66: Vertical Vent Termination**

- Step 3.** To determine the length of pipe required, measure room height, ceiling thickness, and vertical rise in an attic or second story. Firestops are required at each floor level beyond the first floor ceiling support/wall thimble cover or cathedral ceiling support box. If an offset is required to avoid obstructions, use a pair of 45 degree elbows. For proper support, use elbow straps with offsets. Use wall straps for long vertical runs. Attic insulation shield is required in attic.
- Step 4.** Measure roof pitch. Select the proper flashing and storm collar and determine the height above the roof (see Figure 66). A non-corrosive pipe material must be used for all exterior pipe lengths. Seal nail heads with silicone.

# INITIAL INSTALLATION

## QUALIFIED INSTALLERS ONLY



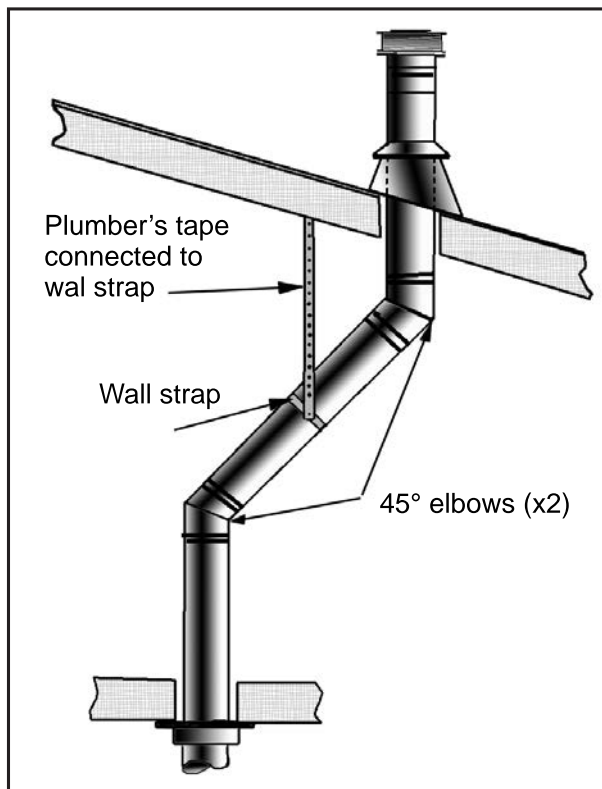
**Figure 67: Height of Vertical Termination; Reference Table 8**

**Table 8: Minimum 'H' for Figure 70.**

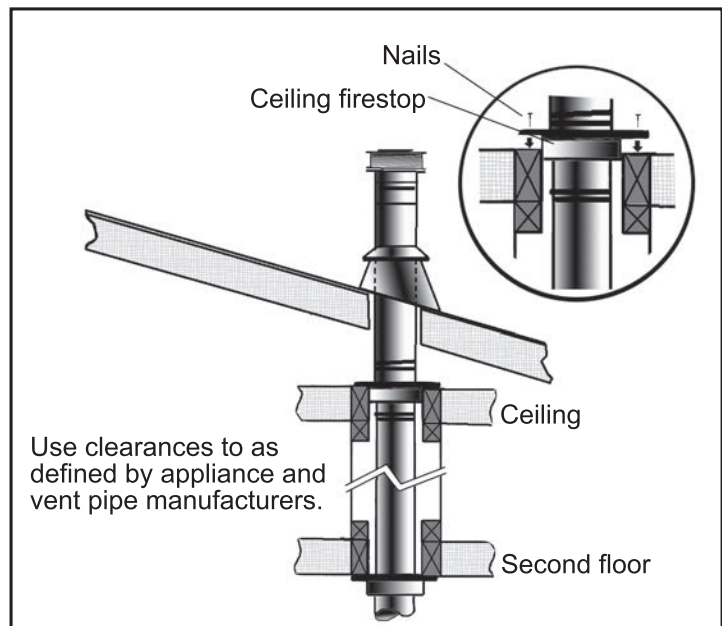
| Roof Pitch          | Minimum Height (H) |        |
|---------------------|--------------------|--------|
|                     | Feet               | Meters |
| Flat to 7/12        | 1                  | 0.3    |
| Over 7/12 to 8/12   | 1.5                | 0.46   |
| Over 8/12 to 9/12   | 2                  | 0.61   |
| Over 9/12 to 10/12  | 2.5                | 0.76   |
| Over 10/12 to 11/12 | 3.25               | 0.99   |
| Over 11/12 to 12/12 | 4                  | 1.22   |
| Over 12/12 to 14/12 | 5                  | 1.52   |
| Over 14/12 to 16/12 | 6                  | 1.83   |
| Over 16/12 to 18/12 | 7                  | 2.13   |
| Over 18/12 to 20/12 | 7.5                | 2.29   |
| Over 20/12 to 21/12 | 8                  | 2.44   |

### NOTES:

1. If an offset is necessary in the attic to avoid obstructions, it is important to support the vent pipe every **3' (914 mm)** using wall straps to avoid excessive stress on the elbows.
2. Use 45° degree elbows instead of 90° degree elbows when ever possible. The 45° degree elbow offers less restriction to the flow of flue gases and intake air.



**Figure 68: Multi-Story Vent Pipe Installation**



**Figure 69: Use of Wall Straps.**



# INITIAL INSTALLATION

## QUALIFIED INSTALLERS ONLY

### GAS LINE CONNECTION AND TESTING:

**WARNING:** Only persons licensed to work with gas piping may make the necessary gas connections to this appliance.

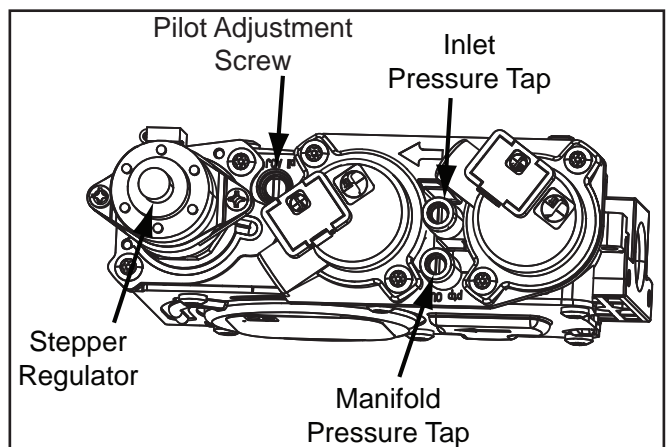
### GAS LINE CONNECTION

- This fireplace is equipped with a certified flexible pipe located on the right side of the unit terminating in a 3/8" Male NPT fitting. Consult your local authorities codes or the CAN/CGA B 149 (1 or 2) installation code in Canada, or in the USA gas installations follow either local codes or the current edition of the National Fuel Gas Code ANSI Z223.1.
- The efficiency rating of this appliance is a product thermal efficiency rating determined under continuous operating conditions and was determined independently of any installed system.

The appliance and its shutoff valves must be disconnected from the gas supply piping system during any pressure testing where the pressure exceeds 1/2 PSIG (3.45 KPa) or damage will occur to the valve.

The appliance must be isolated from the gas supply piping system by closing its individual manual shutoff valve during any pressure testing of the gas supply piping system at test pressures equal to or less than 1/2 psig (3.45 KPa).

**Always check for gas leaks with a soap and water solution after completing the required pressure test.**



**Figure 70: Fully Labeled Gas Valve.**  
See Dexten User Manual for G39LID valve details

### TO TEST VALVE PRESSURES

The pressure taps are located on the top right of the valve shown in Figure 70.

- Turn set screw 1 turn counter clockwise to loosen,
- Place 5/16" (8 mm) I.D. hose over pressure tap system.
- Check pressures using a manometer.
- When finished, release pressure, remove hose & tighten set screw.

**Table 9: Pressure and BTU Information.**

|                               | Natural Gas             | Propane                 |
|-------------------------------|-------------------------|-------------------------|
| <b>Main Orifice</b>           | DMS# 36                 | DMS #52                 |
| <b>Manifold Pressure</b>      | 3.6" W.C. (0.89 KPa)    | 10.0" W.C. (2.49 KPa)   |
| <b>Min. Manifold Pressure</b> | 1.6" W.C. (0.39 KPa)    | 6.4" W.C. (1.59 KPa)    |
| <b>Max Supply Pressure</b>    | 7.0" W.C. (1.74 KPa)    | 11.0" W.C. (2.74 KPa)   |
| <b>Min. Supply Pressure</b>   | 4.5" W.C. (1.12 KPa)    | 10.4" W.C. (2.59 KPa)   |
| <b>Max BTU/hr Input</b>       | 30,000 BTU/hr (8.79 KW) | 30,000 BTU/hr (8.79 KW) |
| <b>Min. BTU/hr Input</b>      | 19,000 BTU/hr (5.57 KW) | 23,000 BTU/hr (6.74 KW) |

**NEVER USE AN OPEN FLAME FOR LEAK TESTING.**

# INITIAL INSTALLATION

## QUALIFIED INSTALLERS ONLY

### ELECTRICAL REQUIREMENTS:

**WARNING:** The fireplace must be electrically connected and grounded in accordance with local codes or, in the absence of local codes, with the current CSA C22.1 Canadian Electrical Code Part 1, Safety Standards For Electrical Installations, or The National Electrical Code ANSI / NFPA 70 in the US.

**WARNING:** Disconnect electrical power supply before working on receptacle wiring.

**CAUTION:** When servicing controls, label all wires prior to disconnection. Wiring errors can cause improper and dangerous operation. Verify proper operation after servicing. If any of the original wire supplied with the appliance must be replaced, it must be replaced with 18 AWG wire with a temperature rating of 105°C.

**Note:** For G39LID specific wiring diagram refer to the Dexen user manual supplied and label attached to the fireplace.

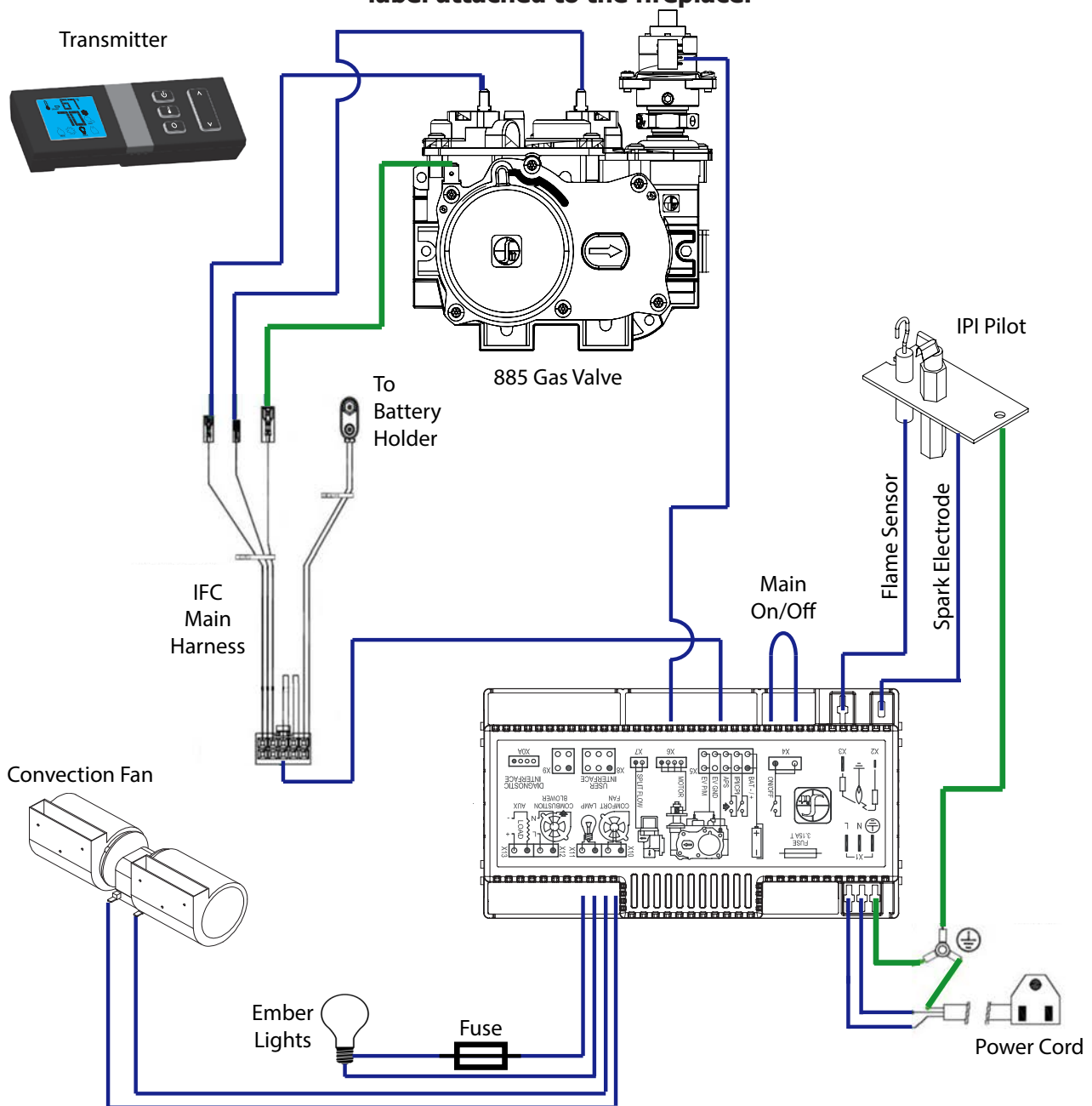


Figure 71: Proflame 2 Wiring Diagram

# SECONDARY INSTALLATION

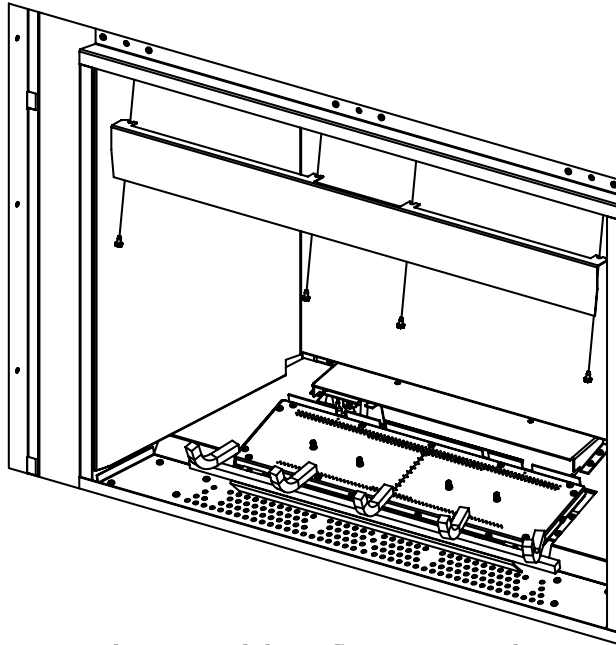
---

## PANEL AND MEDIA INSTALLATION:

---

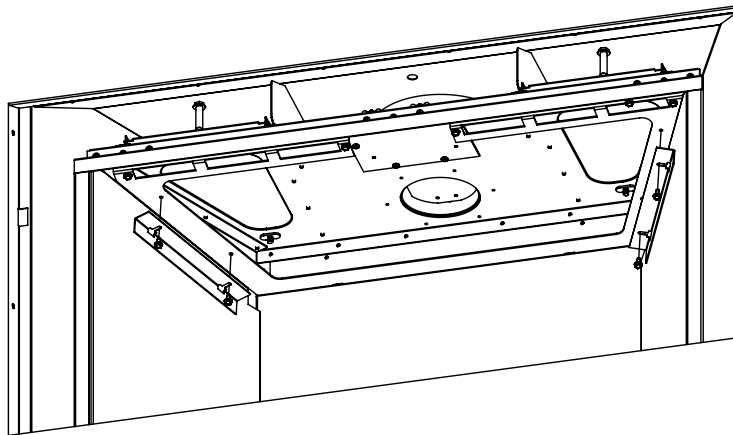
**Step 1.** Remove **surround panel, glass door, and burner.** (See "MAINTENANCE AND SERVICE" section).

**Step 2.** Remove light deflector by loosening four retaining screws with a 5/16 socket (see Figure 72).



**Figure 72: Light Deflector Removal**

**Step 3.** Remove the liner retainers one at a time using a 5/16 socket. The screws only have to be loosened, not completely removed, as the retainers are key slotted. Remove the side liners first, then the rear (see Figure 73).



**Figure 73: Liner Retainers**

**Step 4.** Prepare new liners for installation. Wear clean vinyl gloves when handling the liners, the ceramic material can irritate your skin. Take care not to damage the liners as they are very fragile and can chip easily. If handling porcelain liners, it is still a good idea to wear gloves as the oils from your fingers can stain the enameled coating. If the liners arrive damaged, please contact your ENVIRO dealer for replacement.

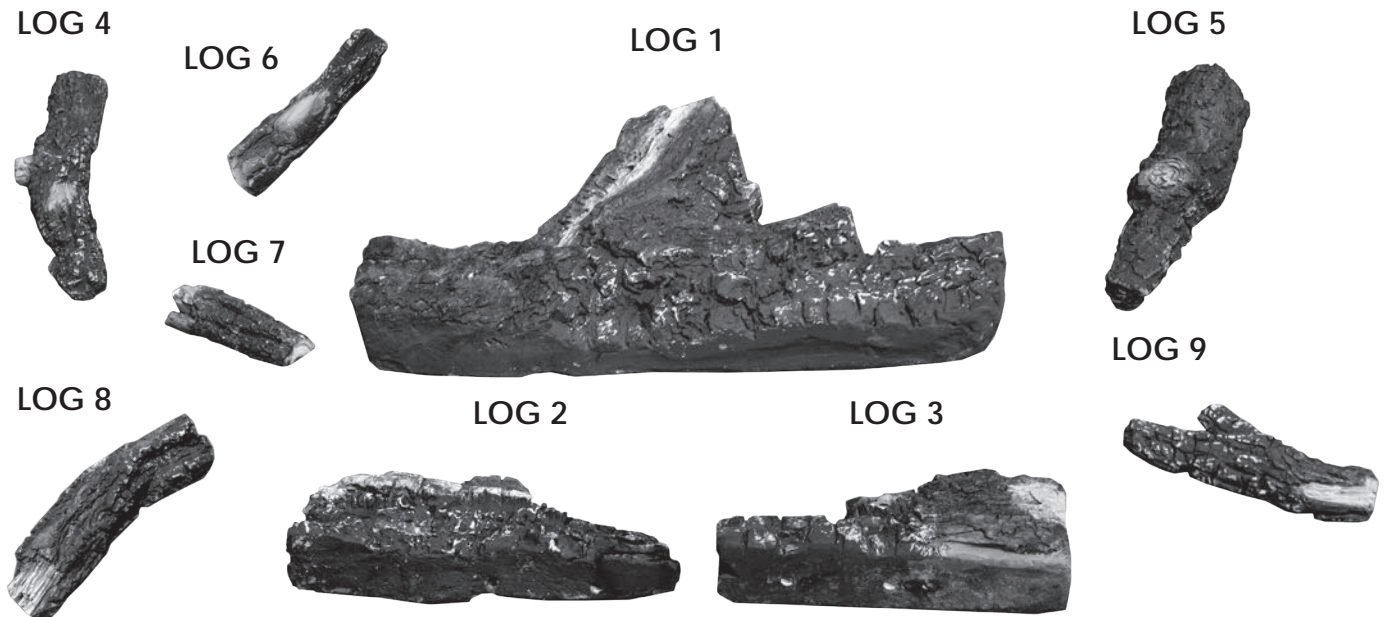
**Step 5.** Replace liners back into position starting with the rear. Please note that any liner options containing brick will have to be aligned with each other. The rear liner will only line up with the side liners in one position. Line up the top corners ahead of time to determine the installation direction. Retighten retainers once liners are in position.

**Step 6.** Reinstall removed components.

# SECONDARY INSTALLATION

## LOG SET INSTALLATION:

The placement of the logs is not arbitrary. If they are positioned incorrectly, the flames can be impinged and will not burn correctly creating a hazardous environment. Carefully set the logs in place using the figures provided. Wear vinyl gloves when handling the logs, the ceramic material can irritate your skin. Take care not to damage the logs as they are very fragile and can chip easily. If any logs arrive damaged, please contact your ENVIRO dealer for replacement.



### Step 1

Fill the bottom of the ember bed with the glass media provided. Evenly spread the vermiculite and ember wool on the front burner as shown. Then place Log 1 all the way to the back of the unit.

**Warning: Too much vermiculite over burner ports may cause sooting.**



### Step 2

Place Log 2 on the left side in front of the grate arms. Line up the Log 2 bottom sockets with the points on the ember bed.



## SECONDARY INSTALLATION

---

### Step 3

---

Place Log 3 on the right side in front of the grate arms. Line up the Log 3 bottom sockets with the points on the ember bed.



### Step 4

---

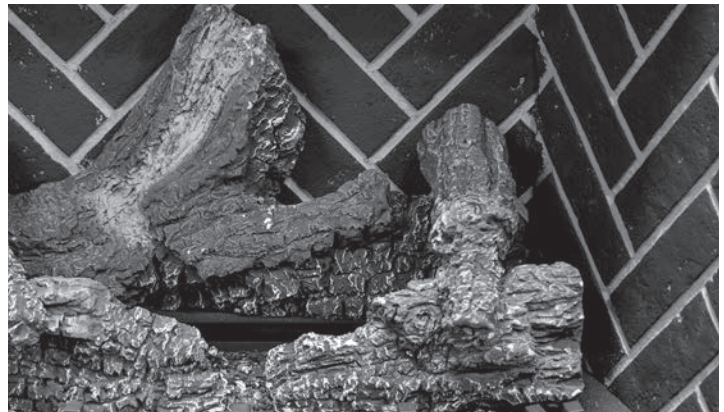
Place Log 4 to the right, on the top of Log 1 and Log 2. There is a pin for location on Log 1.



### Step 5

---

Place Log 5 to the left, on top of Log 1 and Log 3. There is a pin for location on Log 1.



### Step 6

---

Place Log 6 between the grate arms, with the bottom socket resting on the edge of the ember bed.



## SECONDARY INSTALLATION

---

### Step 7

---

Rest Log 7 at an angle on top of the log grate and Log 6.



### Step 8

---

Place Log 8 between the grate arms, with the bottom of the log resting on the edge of the ember bed.



### Step 9

---

Place Log 9 between the grate arms, with the bottom of the log resting on the edge of the ember bed.



# TROUBLESHOOTING

Table 10: Troubleshooting

**Note: For G39LID specific troubleshooting refer to the Dexen user manual supplied**

| Problem                               | Possible Cause  | Solution   |
|---------------------------------------|---|--|
| Locking conditions                    | Reset the Proflame IFC board  | · Turn the system off by pressing the ON/OFF button on the transmitter   |
|                                       |   | · After approximately 2 seconds press the ON/OFF button on the transmitter again.  |
|                                       |   | · In the manual flame control mode, use the down arrow button to reduce the flame to off, indicated by the word OFF displayed on the transmitter LCD screen. |
|                                       |   | · Wait approximately 2 seconds and press the up arrow button, the ignition sequence will start.  |
| Main burners will not start           | The pilot flame has gone out  | · See "Pilot will not remain lit"  |
|                                       | The remote control is not working correctly                             | · Replace the batteries  |
|                                       | The thermostat is disconnected or set too high                          | · Set the thermostat to a lower temperature  |
|                                       | Problem with thermopile circuit   | · Check gas line pressure<br>· Check wiring to thermostat for breaks<br>· Check for flame impingement on thermopile  |
| Flame lifting                         | Leak in vent pipe   | · Check for leaks in vent connections  |
|                                       | Improper vent configuration   | · Check vent configuration with manual   |
|                                       | Terminal may be re-circulating flue gases                               | · Check to see if terminal is on correctly   |
|                                       |   | · May need to install high wind termination cap.<br>· Contact dealer   |
| Blue Flames                           | The heater has just been started  | · Normal during start up: flame will yellow as the fireplace heats up  |
|                                       | Improper air shutter adjustment   | · Adjust air shutter – contact your dealer   |
| Glass fogs up                         | Normal condition: after the appliance warms up the glass will be clear. | **Due to additives in gas, glass may get hazy during operation** Clean as needed.  |
| Flames are burning "dirty" or sooting | The logs are placed incorrectly   | · Check log positioning  |
|                                       | Improper air shutter adjustment   | · Increase primary air by opening the air shutter and/or by opening the vent restrictor  |
|                                       |   | · Check for proper venting and blockage of the vent termination<br>· See also "Burners will not remain lit"  |
|                                       | Incorrect rating input  | · Check manifold pressure and clock input rating for over-firing   |

# PARTS LIST

**Note: For G39LID specific replacement parts refer to the Dexen user manual supplied**

**Table 11: Parts List**

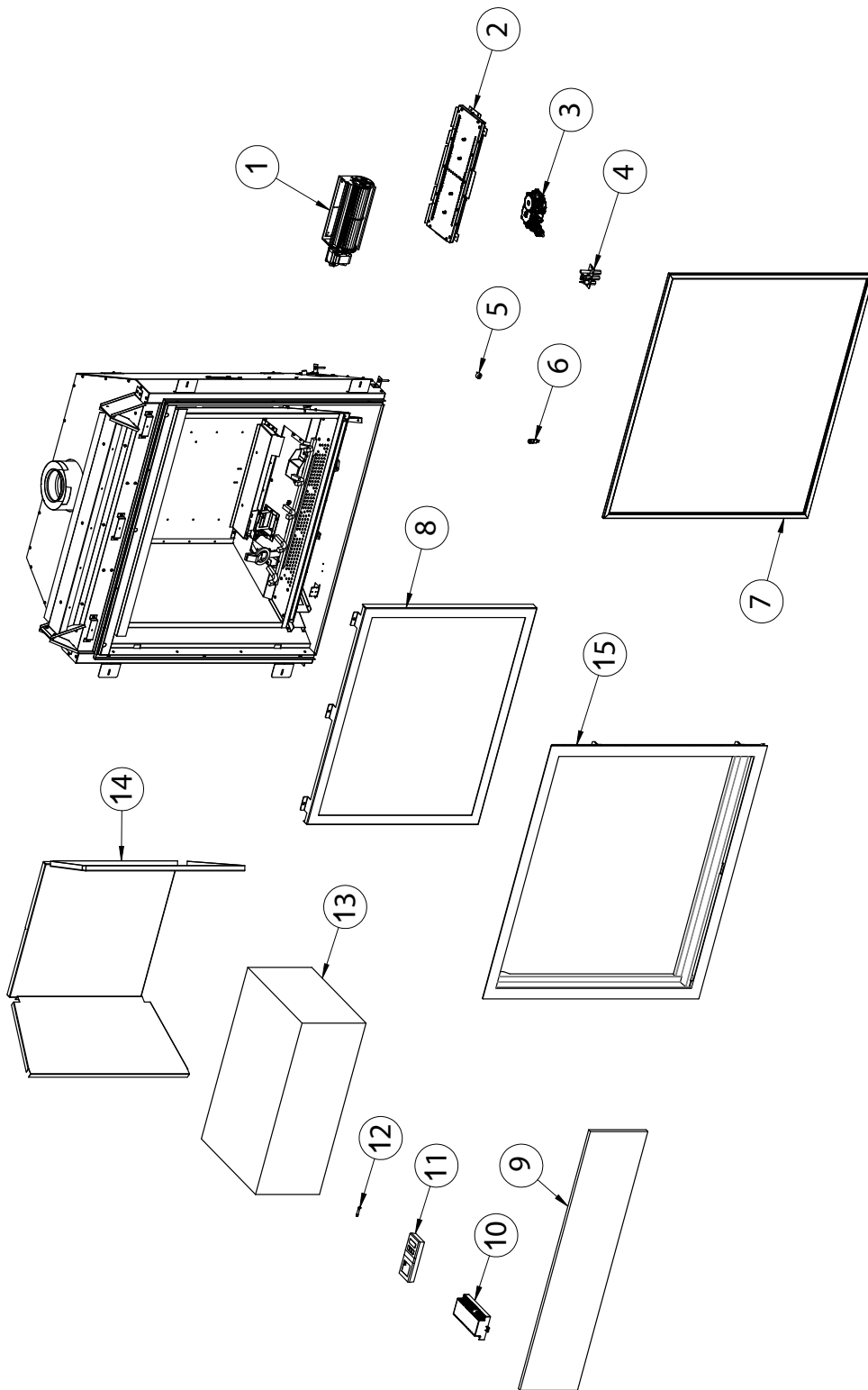
| <b>Reference #</b> | <b>Part Description</b>                  | <b>Part #</b> |
|--------------------|--|---------------|
| 1                  | Convection Fan Only                      | 50-3577       |
| 2                  | Log Burner                               | 50-3585       |
| 3                  | S.I.T. IPI Valve                         | 50-2682       |
| 4                  | PSE IPI Pilot Assembly (2021)            | 50-4058       |
| 5                  | Halogen Socket w/ Wires                  | 50-2028       |
| 6                  | 35W Halogen Bulb                         | 50-3291       |
| 7                  | G39 Safety Screen                        | 50-3578       |
| 8                  | G39 Door Complete (tempered)             | 50-3583       |
| -                  | G39 Door Glass w/ Gasket ONLY (tempered) | 50-3584       |
| 9                  | G39 Non-combustible Board                | 50-3635       |
| 10                 | Integrated Fireplace Controller          | 50-3791       |
| 11                 | Proflame 2 Remote Transmitter            | 50-3028       |
| 12                 | 2A Barrell Light Fuse                    | 50-2075       |
|                    |  |               |

**Table 12: Options List**

| <b>Reference #</b> | <b>Part Description</b>                     | <b>Part #</b> |
|--------------------|---|---------------|
| 13                 | Traditional Log Set                         | 50-3535       |
|                    | Birch Log Set                               | 50-3534       |
| 14                 | Painted Black Liners                        | 50-3536       |
| -                  | Porcelain Liners                            | 50-3498       |
| -                  | Brown Brick Liners                          | 50-3410       |
| -                  | Black Brick Liners                          | 50-3655       |
| -                  | Herringbone Liners                          | 50-3429       |
| -                  | Ledgestone Liners                           | 50-3497       |
| 15                 | G39-2 Slim Face - Black Painted             | 50-4297       |
| -                  | G39 Forgeworks Face - Midnight Bronze       | 50-3501       |
|                    | G39 Andirons                                | 50-3565       |
|                    | 4x7 Flex Vent Adaptor Kit                   | 50-3788       |
| -                  | 12 oz. Can of Metallic Black Touch Up Paint | PAINT-12-MB   |



# PARTS DIAGRAM





# Warranty for Enviro Gas Products

Sherwood Industries Ltd. ("Sherwood") hereby warrants, subject to the terms and conditions herein set forth, this product against defects in material and workmanship during the specified warranty period starting from the date of original purchase at retail. In the event of a defect of material or workmanship during the specified warranty period, Sherwood reserves the right to make repairs or to assess the replacement of a defective product at Sherwood's factory. The shipping costs are to be paid by the consumer. All warranties by Sherwood are set forth herein and no claim shall be made against Sherwood on any oral warranty or representation.

## Conditions

- A completed warranty registration must be submitted to Sherwood within 90 days of original purchase via the online warranty registration page or via the mail-in warranty registration card provided. Have the installer fill in the installation data sheet in the back of the manual for warranty and future reference.
- This warranty applies only to the original owner in the original location from date of install.
- The unit must have been properly installed by a qualified technician or installer, and must meet all local and national building code requirements.
- The warranty does not cover removal and re-installation costs.
- Sherwood Industries Ltd. reserves the right to make changes without notice.
- Sherwood Industries Ltd. and its employees or representatives will not assume any damages, either directly or indirectly caused by improper usage, operation, installation, servicing or maintenance of this appliance.
- A proof of original purchase must be provided by you or the dealer including serial number.
- This warranty does not cover any discoloration of the safety screen mesh.

## Exclusions

An expanded list of exclusions is available at [www.enviro.com/help/warranty.html](http://www.enviro.com/help/warranty.html)

This warranty does not cover:

- Damage as a result of improper usage or abuse.
- Damage caused from over-firing due to incorrect setup or tampering.
- Damage caused by incorrect installation.

## To the Dealer

- Provide name, address and telephone number of purchaser and date of purchase.
- Provide date of purchase. Name of installer and dealer. Serial number of the appliance. Nature of complaint, defects or malfunction, description and part # of any parts replaced.
- Pictures or return of damaged or defective product may be required.

## To the Distributor

- Sign and verify that work and information are correct.

### Sherwood Industries Ltd.

6782 Oldfield Road, Victoria, BC . Canada V8M 2A3  
 Online warranty registration: [www.enviro.com/warranty/](http://www.enviro.com/warranty/)

| Category   | One Year | Two Year | Limited Lifetime (7yr) |
|--|----------|----------|------------------------|
| Parts <sup>1,2</sup> (unit serial number required) |          | ✓        |                        |
| Firebox Liner Panels <sup>3</sup>                  |          | ✓        |                        |
| Firebox  |          |          | ✓                      |
| Heat Exchanger                                     |          |          | ✓                      |
| Burner   |          |          | ✓                      |
| Ceramic Logs <sup>4</sup>                          |          |          | ✓                      |
| Ceramic Glass <sup>5</sup>                         | ✓        |          |                        |
| Pedestal / Legs (excluding finish)                 |          |          | ✓                      |
| Door Assembly                                      |          |          | ✓                      |
| Surround Panels (excluding finish)                 |          |          | ✓                      |
| Exterior Panels (excluding finish)                 |          |          | Up to 5 years          |
| Electrical Components                              |          | ✓        |                        |
| Exterior Surface Finishing                         | ✓        |          |                        |
| Labour   | ✓        |          |                        |

<sup>1</sup> Whereas warranty has expired, replacement parts will be warranted for 90 days from part purchase date. Labour not included. Unit serial number required.

<sup>2</sup> Westport Fan Kit covered for up to 5 years from purchase date. Labour not included. Unit serial required.

<sup>3</sup> Excluding damage to the finish caused by improper setup of the appliance, or color changes.

<sup>4</sup> Log set and panels excludes wear and tear or breakage caused by cleaning or service.

<sup>4</sup> Glass is covered for thermal breakage. Photos of box, inside of door, and unit serial # must be supplied for breakage due to shipping.

<sup>6</sup> Exterior Surface finishing covers plating, enamel or paint and excludes colour changes, chipping, and fingerprints. Travel costs not included.

# INSTALLATION DATA SHEET

The following information must be recorded by the installer for warranty purposes and future reference.

NAME OF OWNER:  
\_\_\_\_\_  
  
ADDRESS:  
\_\_\_\_\_  
\_\_\_\_\_  
\_\_\_\_\_  
  
PHONE: \_\_\_\_\_

NAME OF DEALER:  
\_\_\_\_\_  
  
ADDRESS:  
\_\_\_\_\_  
\_\_\_\_\_  
\_\_\_\_\_  
  
PHONE: \_\_\_\_\_

MODEL: \_\_\_\_\_  
SERIAL NUMBER: \_\_\_\_\_  
DATE OF PURCHASE: \_\_\_\_\_ (dd/mm/yyyy)  
DATE OF INSTALLATION: \_\_\_\_\_ (dd/mm/yyyy)  
  
 NATURAL GAS (NAT)       PROPANE (LPG)  
  
INLET GAS PRESSURE: \_\_\_\_\_ in wc  
MAIN BURNER ORIFICE: \_\_\_\_\_ # DMS  
PILOT ORIFICE # \_\_\_\_\_ OR \_\_\_\_\_ in diam.  
INSTALLER'S SIGNATURE:  
\_\_\_\_\_

NAME OF INSTALLER:  
\_\_\_\_\_  
  
ADDRESS:  
\_\_\_\_\_  
\_\_\_\_\_  
\_\_\_\_\_  
  
PHONE: \_\_\_\_\_

MANUFACTURED BY:  
SHERWOOD INDUSTRIES LTD.  
6782 OLDFIELD RD. SAANICHTON, BC, CANADA V8M 2A3  
www.enviro.com  
February 2024  
C-16992