

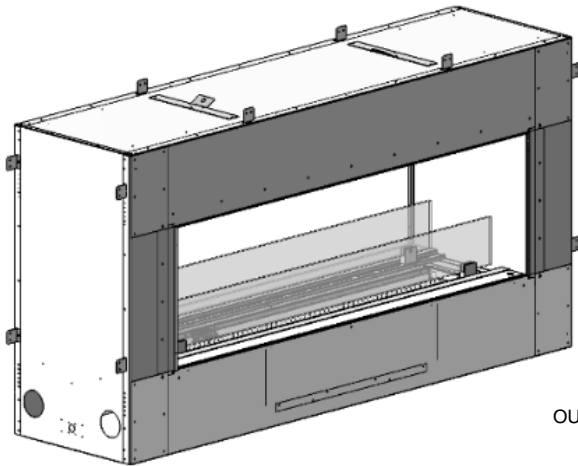
# OUTDOOR LINEAR FIREPLACE MANUAL



**OUTDOOR FIREPLACES:** OFP4336S1, OFP4336S1P2, OFP4336S2, OFP4336S2P2, OFP5548S1, OFP5548S1P2, OFP5548S2, OFP5548S2P2, OFP7972S1, OFP7972S1P2, OFP7972S2, OFP7972S2P2

-CERTIFIED FOR USA & CANADA- ANSI Z21.97-2017 • CSA 2.41-2017  
OUTDOOR DECORATIVE GAS APPLIANCES

ALL OUTDOOR FIREPLACES ARE SHIPPED AS NATURAL GAS (NG) SYSTEMS AND REQUIRE A CONVERSION KIT FOR PROPANE (LP) CONVERSION.



OFP S1 / S2  
OUTDOOR FIREPLACE

**INSTALLER:** Leave this manual with the appliance.  
**CONSUMER:** Retain this manual for future reference.

## DANGER



### CARBON MONOXIDE HAZARD

This appliance can produce carbon monoxide which has no odor.

Using it in an enclosed space can kill you.

Never use this appliance in an enclosed space such as a camper, tent, car or home.

This appliance is designed as an “attended appliance”. Adults must be present when the unit is operating. **DO NOT** leave this unit burning when unattended. If this product is left burning unattended it may cause damage or serious injury.

This appliance is not intended for use in temperatures below freezing.

## DANGER

### FIRE OR EXPLOSION HAZARD

If you smell gas:

- Shut off gas to the appliance.
- Extinguish any open flame.
- If odor continues, leave the area immediately.
- After leaving the area, call your gas supplier or fire department.

Failure to follow these instructions could result in fire or explosion, which could cause property damage, personal injury, or death.

## WARNING

Do not store or use gasoline or other flammable vapors and liquids in the vicinity of this or any other appliance.

An LP-cylinder not connected for use shall not be stored in the vicinity of this or any other appliance.

## WARNING

For Outdoor Use Only.

Installation and service must be performed by a qualified installer, service agency, or the gas supplier.

## WARNING

If the information in this manual is not followed exactly, a fire or explosion may result causing property damage, personal injury, or loss of life.

## Pre-installation Questions and Answers

### About curing of the paint

Your stove or fireplace has been painted with the highest quality silicone stove paint. This paint dries quickly in 15-20 minutes when first applied at the factory. However, due to the high temperature silicone components, the paint will cure when heat is applied to the appliance as it is first used. The following information applies to the curing process to get the paint fully hard and durable. **Note: Use of painter's tape is not recommended, as it may damage the paint.**

Fire the appliance four successive times for 10 minutes each firing and a 5-minute cool down between each. Be aware during log and firebox paint curing that a white deposit may be developing on the inside of the glass doors. It is important to remove this white deposit from the glass doors using a fireplace glass cleaner.

- Babies, small children, pregnant women and pets should leave the area during the cure phase.
- Ventilate well, open doors and windows.
- Do not touch during curing.

### Why does my fireplace or stove give off odor?

It is normal for your fireplace to give off some odor at first. This is due to the curing of the paint, adhesives, silicones and any undetected oil from the manufacturing process as well as the finishing materials used with the installations (e.g. marble, tile and the adhesives used to adhere this product to the walls can react with heat and cause odors).

It is recommended that you burn your gas fireplace or stove for a minimum of four hours at a time with the fan off (if a fan is present) after the curing of the paint has been completed. These odors can last upward to 40 hours of burn time; keep burning at a minimum of four hours per use until odors dissipate.

### Noise coming from the fireplace?

Noise is caused by the expansion and contraction of metal as the appliance heats up and cools down. This is normal and is similar to the sounds produced by a furnace or heating duct. This noise does not affect the operation or longevity of your fireplace.

### Note to the Installer:

Be sure appliance is working properly and its operation (including remote control operation, if included) is fully explained to and understood by the customer.

### -Operating Instructions-

1. Be sure to read and understand all the instructions in this manual before operation of appliance.
2. Ensure all wiring is correct and properly enclosed to prevent possible shock.
3. Check for gas leaks.
4. If brick or porcelain liners are used, ensure they are installed.
5. Verify that the pilot can be seen when lighting the appliance. If not, the log or rock placement is incorrect.
6. If the unit is turned off, you must wait a minimum of 60 seconds before re-lighting it.

## Important Information About Outdoor Fireplaces

### Before you build in this appliance:

- Do not insulate around the appliance. Heat buildup could lead to component failure.
- Pay attention to all clearances to combustibles and specifications stated in this manual.
- Drainage- If this appliance is installed in a location where it will be exposed to water and moisture, drainage is an important consideration.
- Inadequate drainage will cause rust, which is not covered by the warranty.

### Information about outdoor fireplaces

- Outdoor fire burning appliances may not function properly at all times regardless of the circumstances.
- Wind can greatly affect flame performance. If used in windy conditions a wind guard is recommended.
- Outdoor units require adequate ventilation in order to burn properly.
- Restricted access to air is not only dangerous for persons near the appliance, but the appliance also will not function correctly.
- This appliance consumes air, burns fuel, and emits heat and exhaust gases.
- Only approved media and accessories listed in this manual should be used with this appliance.
- This appliance is not intended for use in temperatures below freezing.
- The pilot burner (if equipped) should be OFF, and covered to protect it from the elements when not in use.



**HOT GLASS WILL CAUSE BURNS.  
DO NOT TOUCH GLASS UNTIL COOLED.  
NEVER ALLOW CHILDREN TO TOUCH GLASS.**

If a barrier for this appliance becomes damaged, the barrier shall be replaced with the manufacturer's barrier for this appliance.

## - Table of Contents -

Pre-installation Questions and Answers.....	2
Important Information About Outdoor Fireplaces.....	2
Table of Contents.....	3-4
Warnings.....	5
Gas Line Installation.....	5
Enclosures for LP (Propane) Gas Supply Systems.....	6
Locating Your Appliance.....	7
Clearance Specifications.....	8
OFP4336S1 and OFP4336S2 Dimensions.....	9
OFP5548S1 and OFP5548S2 Dimensions.....	10
OFP7972S1 and OFP7972S2 Dimensions.....	11
Handling Unit.....	12
Adjustable Support Guides (Supplied with Fireplace).....	13
Optional Framing.....	14
Combustible Clearances.....	15
Surround Installation OFP43SS / OFP55SS / OFP79SS.....	16
Weather Cover Installation – OFP4336 / 5548 / 7972.....	17
Weather Cover Safety Switch.....	18
Safety Screen Installation – OFP4336 / 5548 / 7972 Fireplaces.....	19
Wind Guard Glass Installation.....	20
About Stainless Steel Parts and Accessories.....	20
Burner Removal / Installation.....	21
Glass Filler Panels for Proflame 2 OB Burners with LED Lights.....	22
Proflame 2 OB Burners with LED Lights – Seal Glass Filler Panels.....	23-24
<b>- Accessories and Options -</b>	
Glass Media for Outdoor Burners.....	25
Optional Media Accessories.....	25-26
<b>- Maintenance -</b>	
Burner System Maintenance.....	27
General Maintenance Instructions.....	28
<b>- Burner System and Lighting -</b>	
Millivolt Lighting Instructions.....	29
Optional Electronic Spark Assist for Millivolt Systems.....	30
IPI Lighting Instructions.....	31
Gas Specifications – All Burner Systems.....	32
LP Cylinder Requirements.....	33
LP Conversion Kits.....	33
Gas Conversion- Part A – Millivolt & IPI Valve Systems.....	34
Gas Conversion for Millivolt Pilot .....	35
Gas Conversion Instructions for IPI Pilot .....	36
Gas Conversion for Modulator – PART C – Millivolt & IPI Systems.....	37
Troubleshooting the Gas Control System.....	38

<b>- IPI Proflame 2 -</b>	
Access to Valve and P2 Box.....	39
P2 Box Wiring Diagram.....	40
Proflame 2 Parts List.....	41
Proflame 2 Schematic Drawing.....	41
Proflame 2 Module and Remote Control.....	42
<b>- LED Lighting -</b>	
LED Lighting- Outdoor Fireplaces.....	43
LEDRGB – Multicoloured LED Kit Operating Guide.....	44
<b>- Parts Lists -</b>	
Outdoor Burners- Plumbing Parts.....	45-46
Barbara Jean Series- Parts List.....	47-48
<b>- Warranty -</b>	
Limited Warranty.....	49

# WARNING

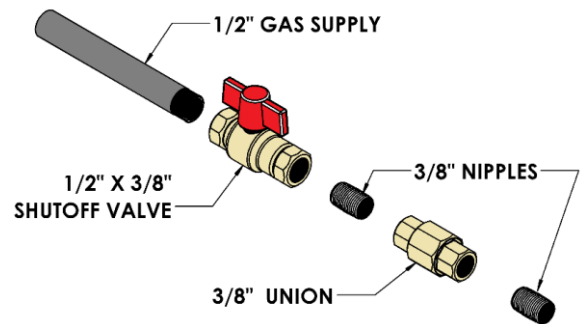
## FOR SAFE INSTALLATION AND OPERATION OF YOUR GAS FIREPLACE PLEASE NOTE THE FOLLOWING:

1. when an appliance is for connection to a fixed piping system, the installation must conform with local codes or, in the absence of local codes, with the National Fuel Gas Code, ANSI Z223.1 • NFPA 54; National Fuel Gas Code; Natural Gas and Propane Installation Code, CSA B149.1; or Propane Storage and Handling Code, CSA B149.2, as applicable.
2. This appliance, when installed, must be electrically grounded in accordance with local codes or, in the absence of local codes, with the National Electrical Code, ANSI/NFPA 70; or the Canadian Electrical Code, CSA C22.1, if applicable.
3. THIS UNIT IS NOT FOR USE WITH SOLID FUEL.
4. Always keep the appliance clear and free from combustible materials, gasoline, and other flammable vapors and liquids.
5. Inspect the fuel supply connection (including the hose for LP models) before each use of the appliance. See Lighting Instructions for removal of Access Panel.
6. If it is evident there is excessive abrasion or wear, or the hose is damaged, it must be replaced prior to the appliance being put into operation. Locate the hose out of pathways where people may trip over it or in areas where the hose may be subject to accidental damage
7. Locate the hose out of pathways where people may trip over it or in areas where the hose may be subject to accidental damage.
8. Children and adults should be alerted to the hazards of the high surface temperatures of this appliance and should stay away to avoid burns or ignition of clothing.
9. Young children should be carefully supervised when they are in the area of the appliance.
10. Clothing or other flammable material should not be placed on or near the appliance. This appliance should not be used as a drying rack for clothing.
11. Any safety screen or guard removed for servicing an appliance must be replaced prior to operating the appliance.
12. Installation and repair should be done by a qualified service person. The appliance should be inspected before use and at least annually by a professional service person. More frequent cleaning may be required due to excessive lint from carpeting, et cetera. It is imperative that control compartments, burners and circulating air passageways of the appliance be kept clean.
13. Do not use this appliance if any part has been under water. Immediately call a qualified service technician to inspect the unit and to replace any part of the control system and any gas control which has been underwater.
14. Remove all loose materials from the appliance (manual, remote control, etc.) before connecting gas and electricity.
15. Ensure that the remote control is "OFF" before connecting gas and electricity to the appliance.

## - Gas Line Installation -

This gas appliance should be installed by a qualified installer in accordance with local building codes and with current CAN/CGA - B149.1 or .2 installation codes for Gas Burning appliances and equipment in Canada and the National Fuel Gas Code ANSI Z223 in the U.S.A.

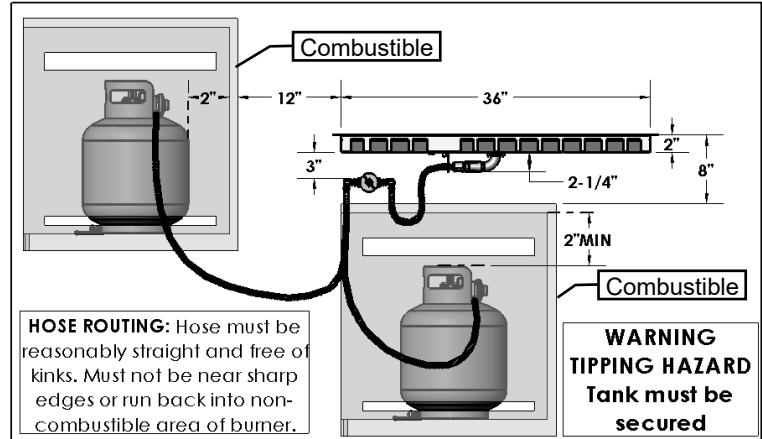
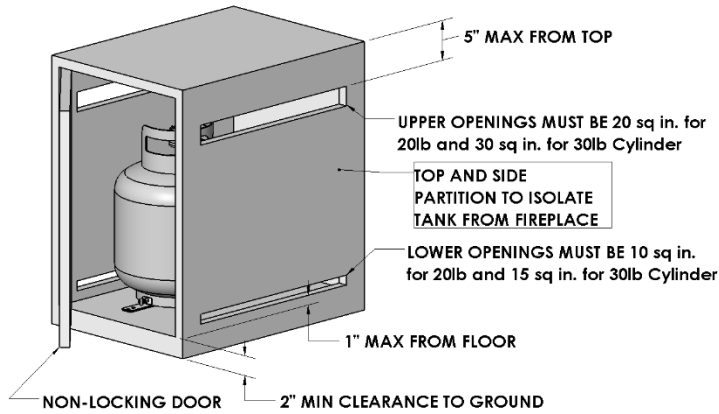
1. The gas pipeline can be brought in through either the left side or the bottom of the appliance. A knockout is provided at either location to allow for the gas pipe installation and testing of any gas connection.
2. The gas control inlet is 3/8" NPT. Typical installation layout for rigid pipe is shown at right.
3. When using copper or flex connector, use only approved fittings. Always provide a union so that gas line can be easily disconnected for burner or fan servicing. See gas specification for pressure details and ratings.
4. When a vertical section of gas pipe is required for the installation, a condensation trap is needed. See CAN/CGA-B149.1 or .2 for code details.
5. For natural gas, a minimum of 3/8" iron pipe with gas minimum pressure of 4.5" w.c. must be used for supply from the gas meter. Consult with the local gas utility if any questions arise concerning pipe sizes.
6. Ports are accessible for test gauge connection both on the inlet and outlet of the gas valve.
7. Turn the gas supply ON and check for leaks. DO NOT USE OPEN FLAME FOR THIS PURPOSE. Use an approved leak testing solution.
8. The appliance and its individual shutoff valve must be disconnected from the gas supply piping system during any pressure testing of that system at test pressures in excess of 1/2psig [3.5 KPa].
9. The appliance must be isolated from the gas supply piping system by closing its individual shutoff valve during any pressure testing of the gas supply piping system at test pressures equal to or less than 1/2psig [3.5 KPa].



Note: The gas line connection may be made of 1/2" rigid pipe, 1/2" copper pipe or an approved flex connector. Since some municipalities have additional local codes, it is always best to consult your local authorities and the current CAN/CGA - B149.1 or .2 installation code in Canada or the National Fuel Gas code ANSI Z223.1 in the U.S.A.

**IMPORTANT:** Always check for gas leaks with a soap and water solution. DO NOT USE OPEN FLAME FOR LEAK TESTING.

# Enclosures for LP (Propane) Gas Supply Systems



If you build an enclosure for an LP gas cylinder you must follow these specifications. You must also follow local codes.

An enclosure for an LP-gas cylinder shall be ventilated by openings at both the upper and lower levels of the enclosure. This shall be accompanied by one of the following:

- a. One side of the enclosure shall be completely open; or
- b. For an enclosure having four sides, a top, and a bottom:
  1. At least two ventilation openings shall be provided in the sidewalls of the enclosure, located within 5 in (217 mm) of the top of the enclosure, equally sized, spaced at a minimum of 90 degrees (1.57 rad), and unobstructed. The opening(s) shall have a total free area of not less than 1 square inch per pound (14.2 cm<sup>2</sup>/kg) of stored fuel capacity.
  2. Ventilation opening(s) shall be provided at floor level of the enclosure and shall have a total free area of not less than 1/2 square inches per pound (7.1 cm<sup>2</sup>/kg) of stored fuel capacity. If ventilation openings at floor level are in a sidewall, there shall be at least two openings. The bottom of the openings shall be 1 in (25.4 mm) or less from the floor level and the upper edge no more than 5 in (127 mm) above the floor level. The openings shall be equally sized, spaced at a minimum of 90 degrees (1.57 rad), and unobstructed.
  3. Every opening shall have minimum dimensions so as to permit the entrance of a 1/8 in (3.2 mm) diameter rod.
  4. Ventilation openings in sidewalls shall not communicate directly with other enclosures of the appliance.

The cylinder valve shall be readily accessible for hand operation. A door on the enclosure to gain access to the cylinder valves is acceptable, provided it is non-locking and can be opened without the use of tools. Designs using a cover to gain access to the cylinder and cylinder valve shall be provided with handles or equivalent at a minimum of 180 degrees apart to facilitate lifting of the cover.

The enclosure for the LP-gas cylinder shall isolate the cylinder from the burner compartment to provide:

- a. Shielding from radiation;

- b. A flame barrier; and
- c. Protection from foreign material.

There shall be a minimum clearance of 2 in (50.8 mm) between the floor of the non-disposable LP-gas cylinder enclosure and the ground.

The design of the fireplace shall be such that:

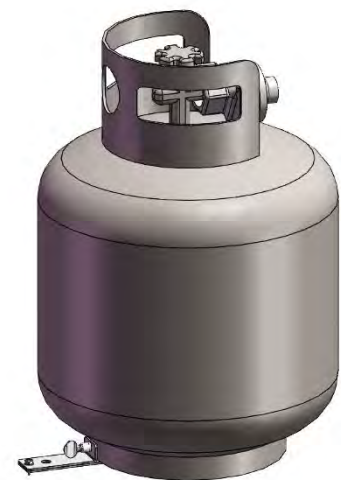
- a. A non-disposable LP-gas cylinder can be connected, disconnected, and the connections inspected and tested outside the cylinder enclosure; and
- b. Those connections which could be disturbed when installing the cylinder in the enclosure can be leak tested inside the enclosure.

Be certain to mount or set the LP-gas cylinder on a flat stable surface and retain it to prevent it from tipping. Purge the gas supply line of any trapped air prior to the first firing of the unit.

**WARNING:** During the initial purging and subsequent lightings, NEVER allow gas valve to remain in "OPEN" position without first placing a burning match on the top of the burner.

Test fire the unit after referring to the SAFETY INFORMATION and LIGHTING INSTRUCTIONS.

If LP-Gas outdoor fire pits are used continuously after a couple of hours, you could see the possibility of the flame decreasing in size. If this happens, turn off the control valve and the tank valve and wait a couple of hours before lighting again or switch propane tanks. The propane tank is freezing up due to the volume of gas being taken out of the tank.



LP cylinder with retention device attached.

## Locating Your Appliance

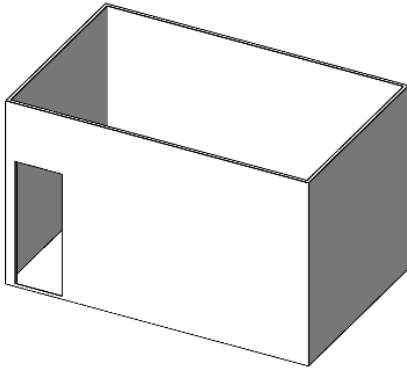
**Note:** Ventilation and air flow comes from openings in the walls and ceiling. Open floor space around the appliance must not be considered ventilation and air flow space.

- This unit requires combustion air and will produce exhaust gases. Install in an open-air situation with natural ventilation and without stagnant areas.
- Avoid installing in tight spaces and corners.
- Be aware of combustibles (i.e. furniture) near appliance. Clearance is 12" when using a wind guard.
- By definition, an outdoor space is not enclosed. Any area in which these appliances are used shall comply with the structures shown below.

## Locating Your Appliance – Outdoor Spaces

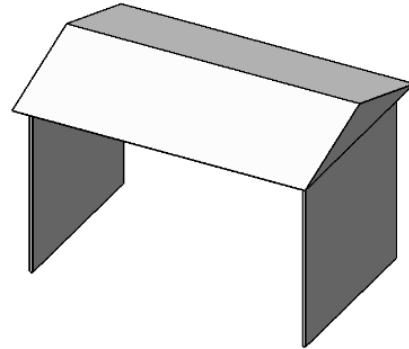
This appliance may be installed within the following structures:

1.



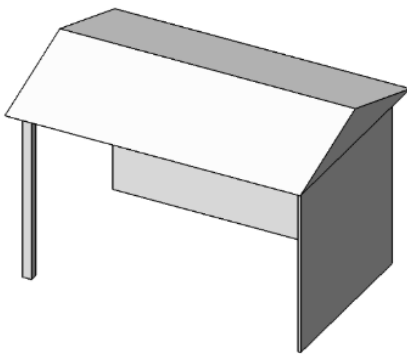
Walls on all sides (Minimum area of 96 square feet), but with no overhead cover and at least one permanent opening (doorway) at ground level.

2.



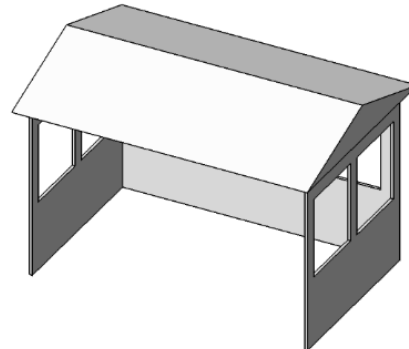
Within a partial enclosure that includes an overhead cover and no more than two side walls.

3.



These side walls may be parallel, as in a breezeway, or at right angles to each other.

4.



Within a partial enclosure that includes an overhead cover and three side walls, as long as **30 percent** or more of the horizontal periphery of the enclosure is permanently open.

All models can be installed safely in a screened porch area within the following guidelines:

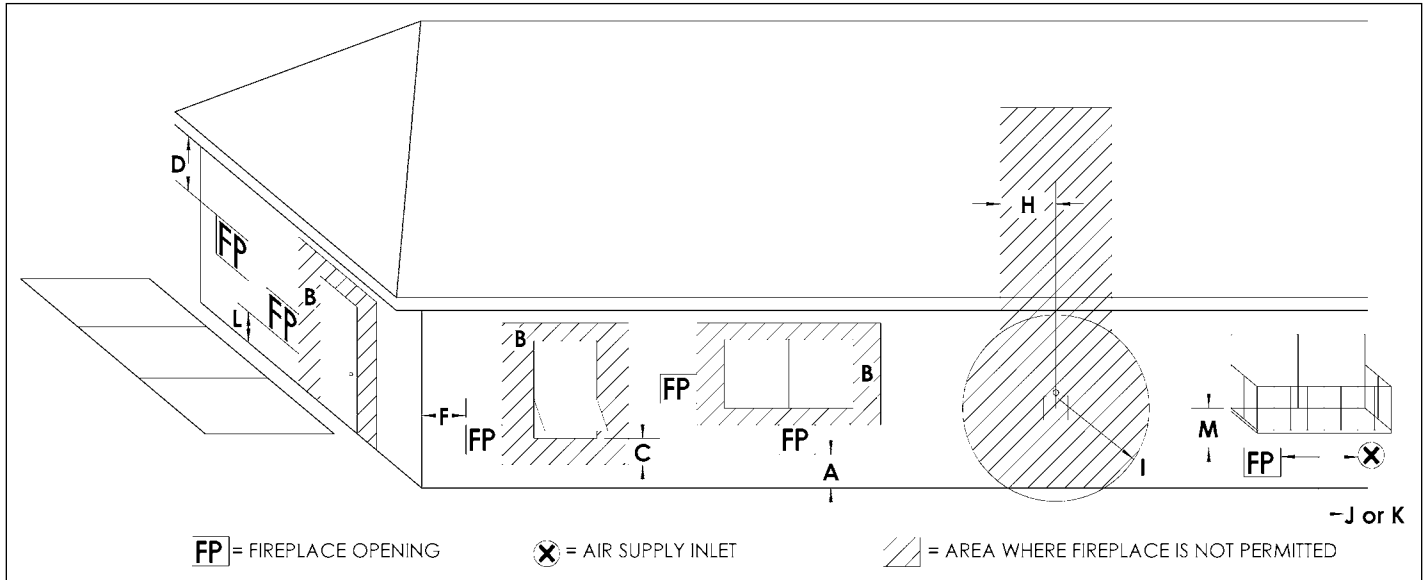
Minimum porch area is 96sq. feet with two sides fully open.

A minimum of two (2) walls can be screened, but must be open to outside ventilation, with a minimum screen area of 64 sq. feet, and a minimum side wall height of 78" inches.

**WARNING -RISK OF FIRE-**

All minimum clearances must be adhered to.

# Clearance Specifications for OFP4336 / OFP5548 / OFP7972



A =	2in.....	Clearances above grade, veranda, porch, deck or balcony.	I =	3ft (USA)..... 6ft (Canada)	Clearance to service regulator vent outlet and electric service.
B =	12in..... 36in.....	Clearances to window or door that may be opened, or to permanently closed window. Vinyl windows or siding.	J =	9in (USA)..... 12in (Canada)	Clearance to non-mechanical air Supply inlet to building or the combustion air inlet to any other appliance.
C =	12in.....	Clearance below an operable window.	K =	3ft (USA)..... 6ft (Canada)	Clearance to a mechanical air supply inlet
D =	47in.....	Vertical clearance to unventilated soffit or to or to ventilated soffit located above the fireplace.	L* =	54in.....	Clearance above paved sidewalk or a paved driveway located on <b>public</b> property.
	60in.....	Vinyl clad soffits.	M** =	47in.....	Clearance under veranda, porch, deck, balcony or overhang.
G =	3-1/2in..... 48in.....	Clearance to inside corner. Vinyl windows or siding.		Not allowed....	Vinyl.
H =	3ft. (Canada)	Not to be installed above a gas meter/regulator assembly within 3ft horizontally from the center line of the regulator.			

NOTE: Diagrams & Illustrations not to scale.

\* A fireplace shall not open directly above a sidewalk or paved driveway which is located between two single family dwellings and services both dwellings.

\*\*Only permitted if veranda, porch, deck or balcony is fully open on a minimum of 2 sides beneath the floor, or if the screened porch guidelines are followed.

**Note 1:** Local codes or regulations may require different clearances.

This appliance can be installed safely in a screened porch area within the following guidelines:

Minimum porch area is 96sq. feet with two sides fully open.

A minimum of two (2) walls can be screened, but must be open to outside ventilation, with a minimum screen area of 64 sq. feet, and a minimum side wall height of 78" inches.

**Note:** There may be some odor and small amounts of soot associated with burning the fireplace in a screened porch. Ensuring good cross draft ventilation and routine maintenance of the fireplace will maximize comfort and cleanliness.

**Note:** This appliance must not be installed inside or through an exterior wall.

**Note:** This appliance may be installed against the outside of an exterior wall provided that all clearance requirements have been met.



# Outdoor Fireplaces

## OFF4336S1 and OFF4336S2 Dimensions (Outdoor Fire Place)

### SINGLE SIDE

#### OFF4336S1

(Millivolt/Natural Gas)

Convert to LP with Conversion Kit

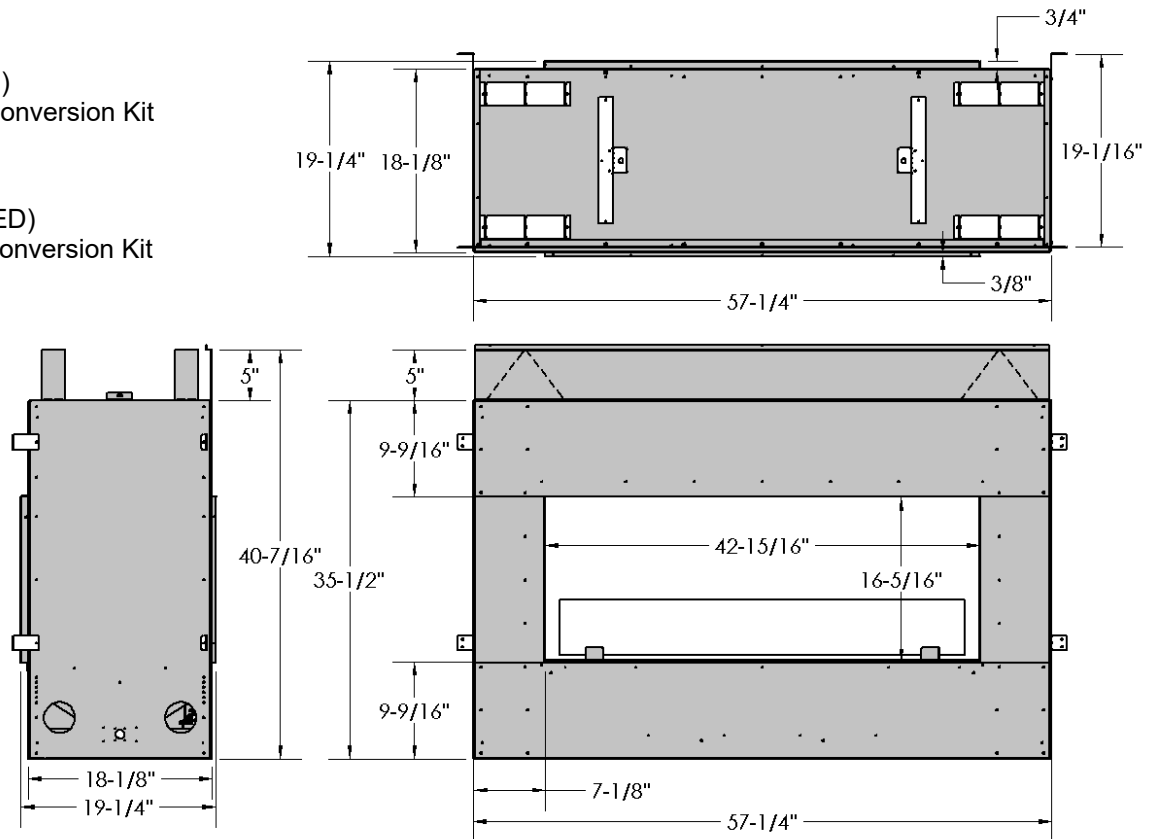
36OB-CKLP

#### OFF4336S1P2

(IPI2/Natural Gas, LED)

Convert to LP with Conversion Kit

36OB-CKLP2



### SEE THRU

#### OFF4336S2

(Millivolt/Natural Gas)

Convert to LP with Conversion Kit

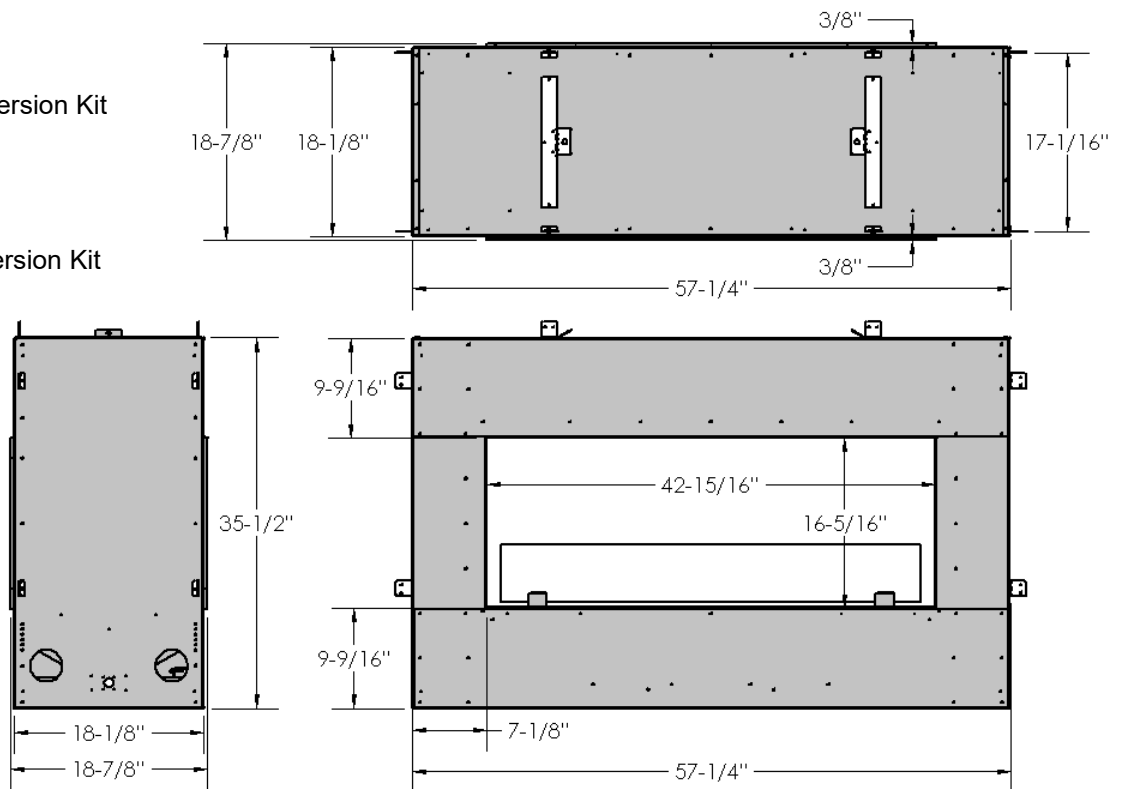
36OB-CKLP

#### OFF4336S2P2

(IPI2/Natural Gas, LED)

Convert to LP with Conversion Kit

36OB-CKLP2



# Outdoor Fireplaces

## OFP5548S1 and OFP5548S2 Dimensions (Outdoor Fire Place)

### SINGLE SIDE

#### OFP5548S1

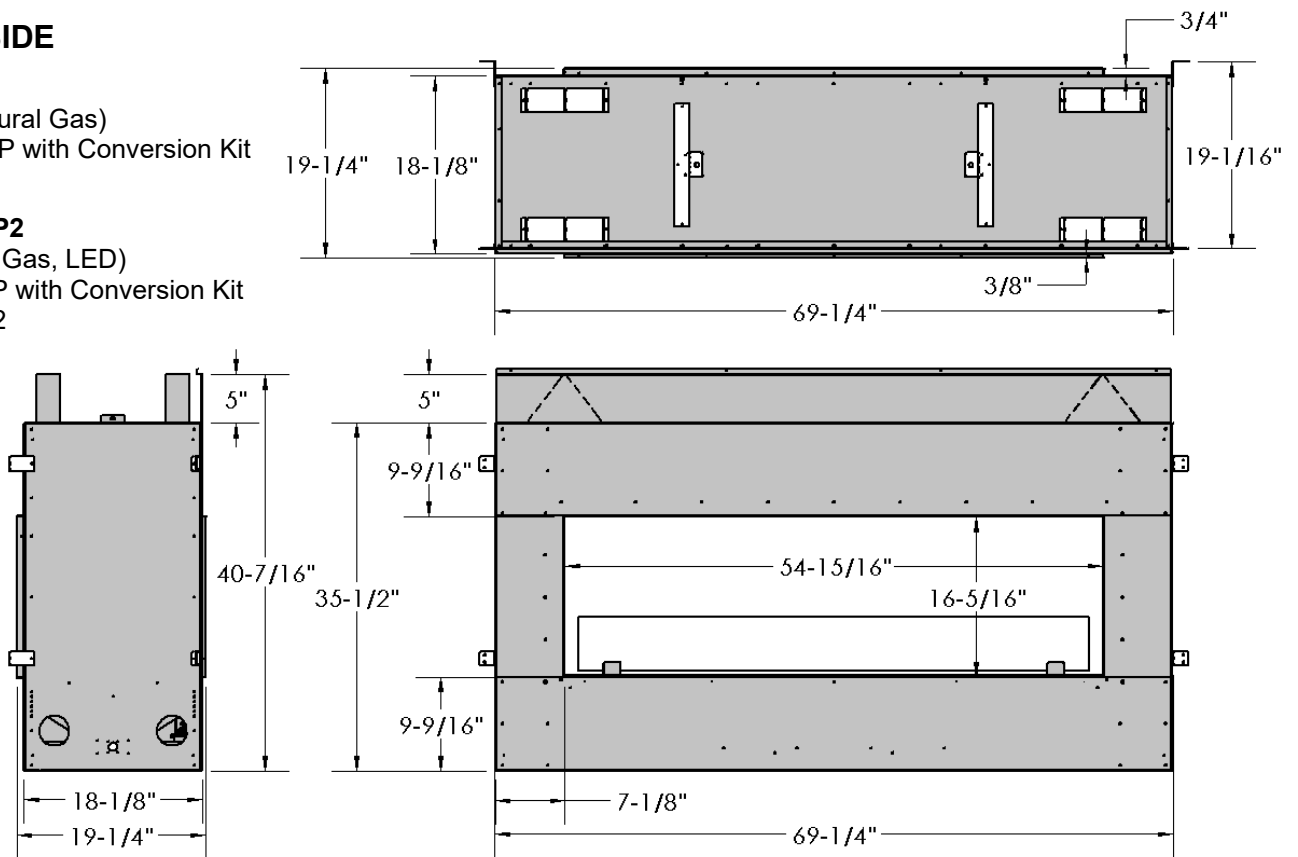
(Millivolt/Natural Gas)

Convert to LP with Conversion Kit  
48OB-CKLP

#### OFP5548S1P2

(IPI2/Natural Gas, LED)

Convert to LP with Conversion Kit  
48OB-CKLP2



### SEE THRU

#### OFP5548S2

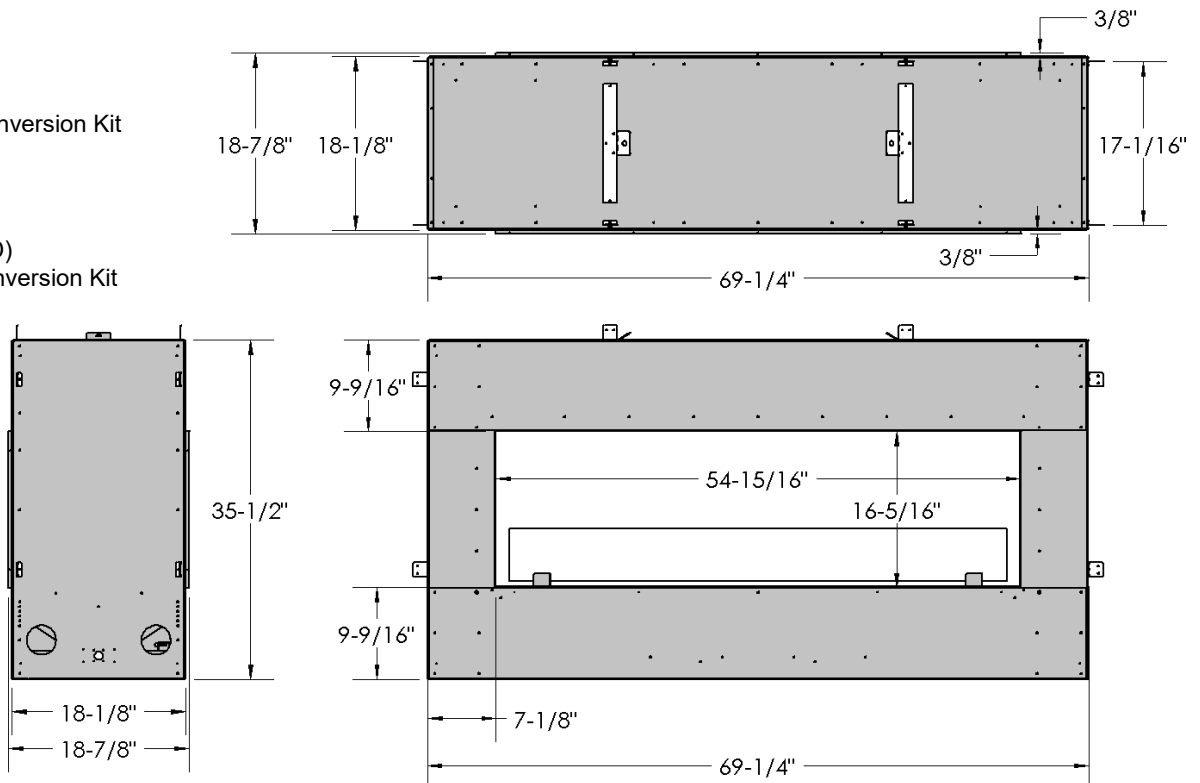
(Millivolt/Natural Gas)

Convert to LP with Conversion Kit  
48OB-CKLP

#### OFP5548S2P2

(IPI2/Natural Gas, LED)

Convert to LP with Conversion Kit  
48OB-CKLP2



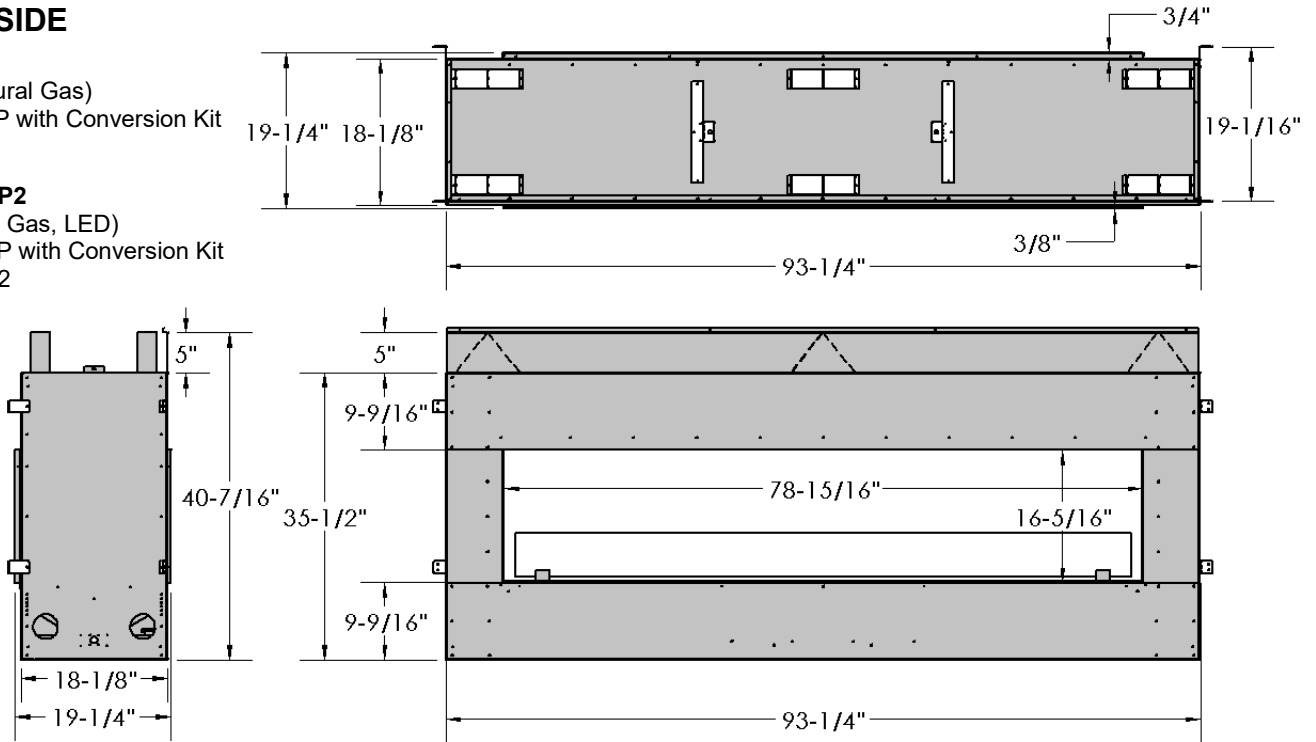
# Outdoor Fireplaces

## OFF7972S1 and OFF7972S2 Dimensions (Outdoor Fire Place)

### SINGLE SIDE

**OFF7972S1**  
(Millivolt/Natural Gas)  
Convert to LP with Conversion Kit  
72OB-CKLP

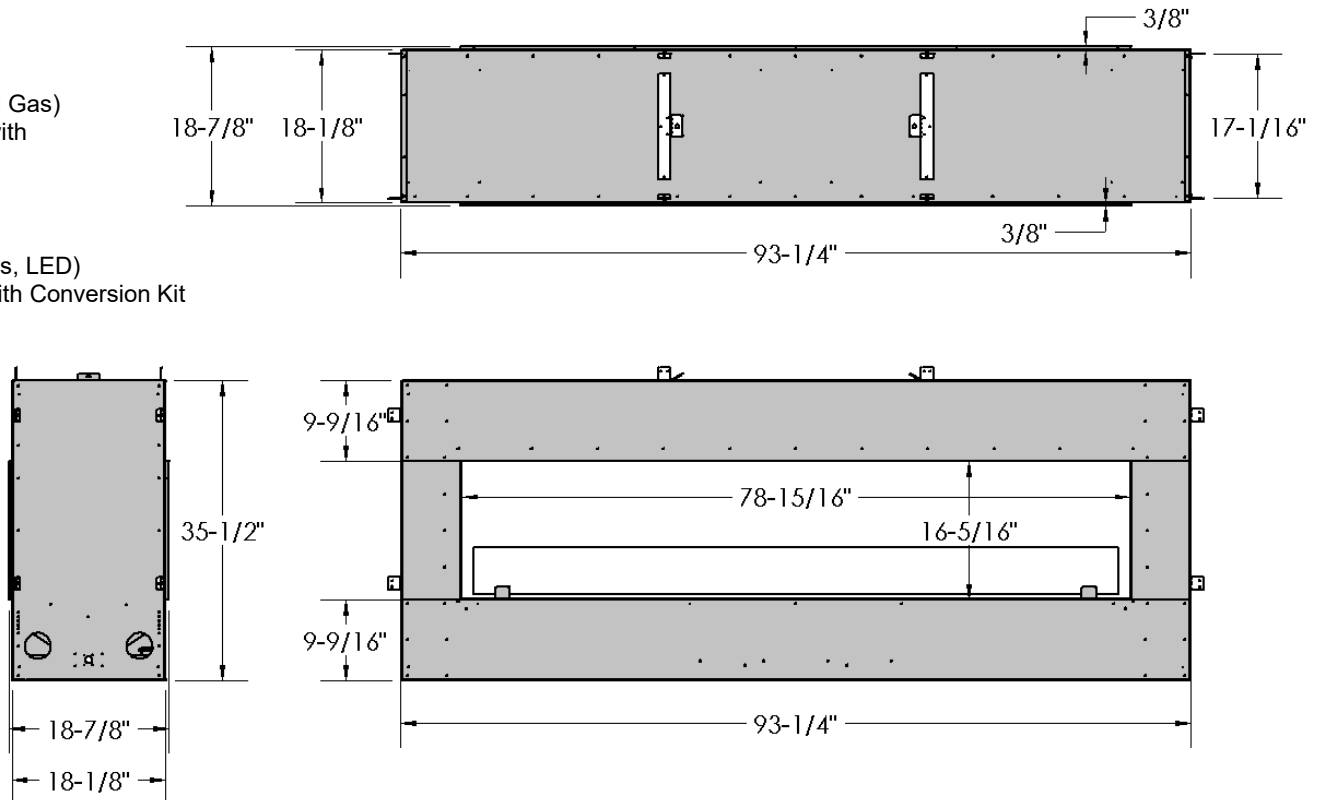
**OFF7972S1P2**  
(IPI2/Natural Gas, LED)  
Convert to LP with Conversion Kit  
72OB-CKLP2



### SEE THRU

**OFF7972S2**  
(Millivolt/Natural Gas)  
Convert to LP with  
Conversion Kit  
72OB-CKLP

**OFF7972S2P2**  
(IPI2/Natural Gas, LED)  
Convert to LP with Conversion Kit  
72OB-CKLP2



# Outdoor Fireplaces – Handling Unit – OFP4336 / OFP5548 / OFP7972

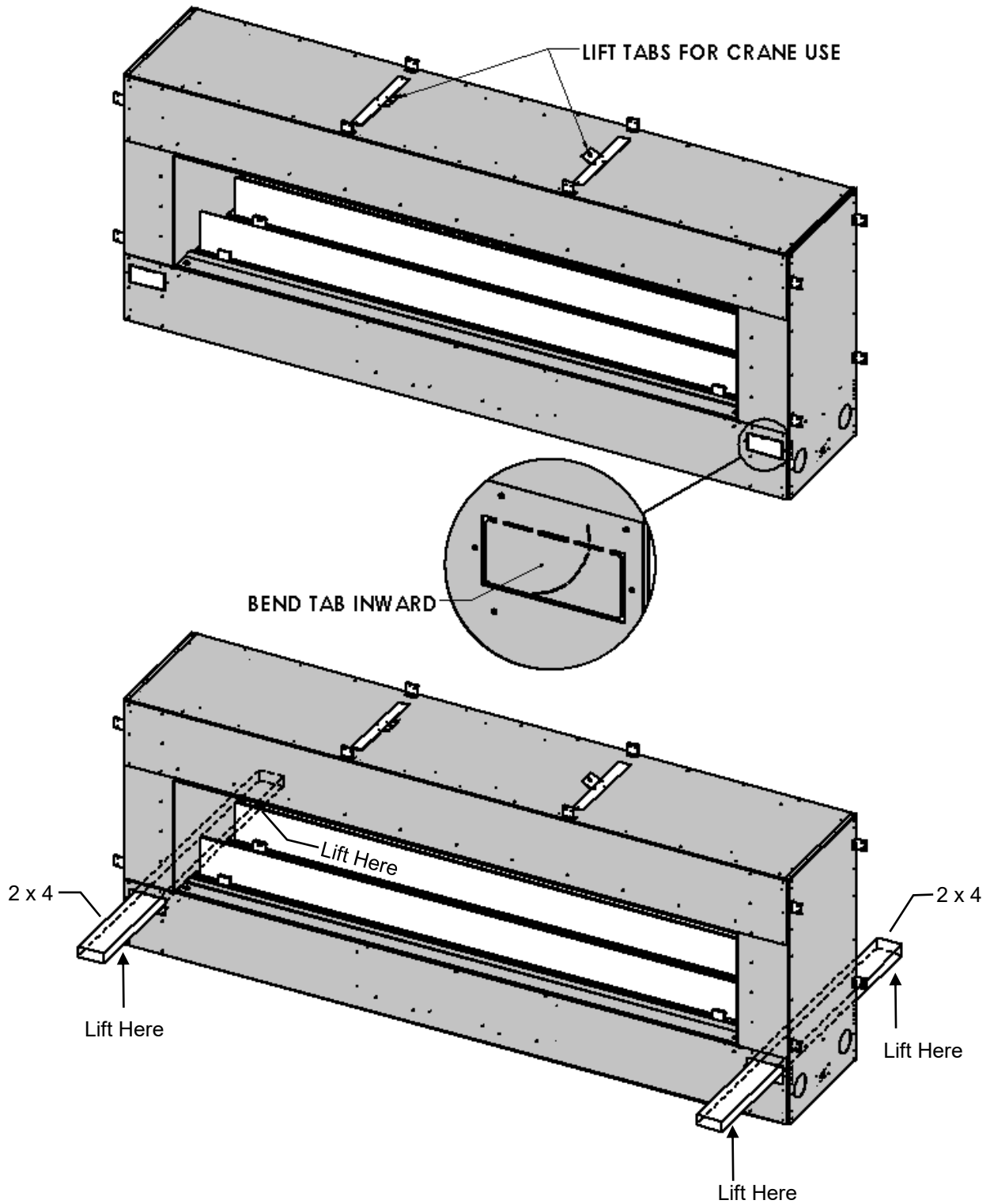
**⚠ CAUTION: UNIT IS EXTREMELY HEAVY**

Ensure that fireplace is properly supported when handling.

Tab cutouts on the faces of the appliance can be used to assist with handling and locating fireplace.

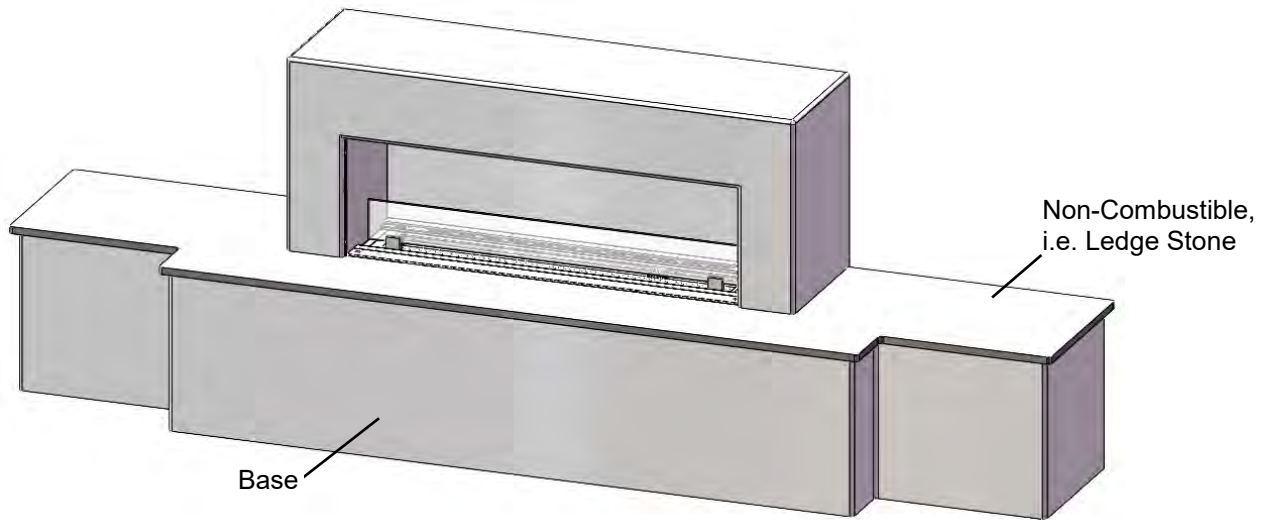
Cutouts are for Hand use or 2 x 4 use.

Lift Tabs are for crane use.

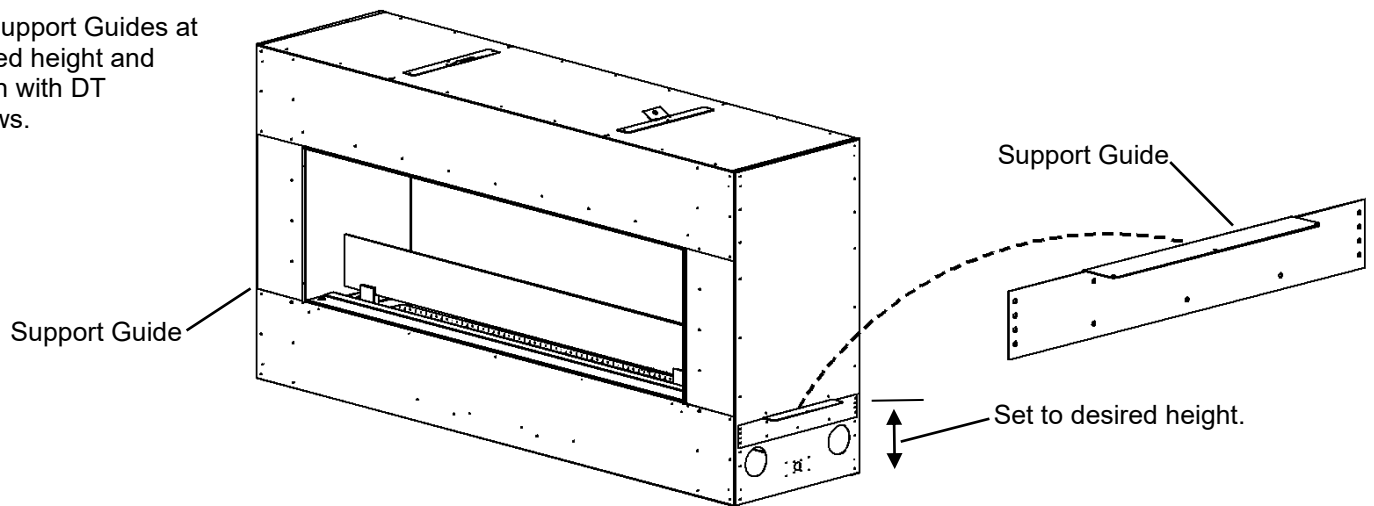


# OFP4336 / 5548 / 7972 S1 or S2 – Adjustable Support Guide -Hearth Flush With Fireplace Opening-

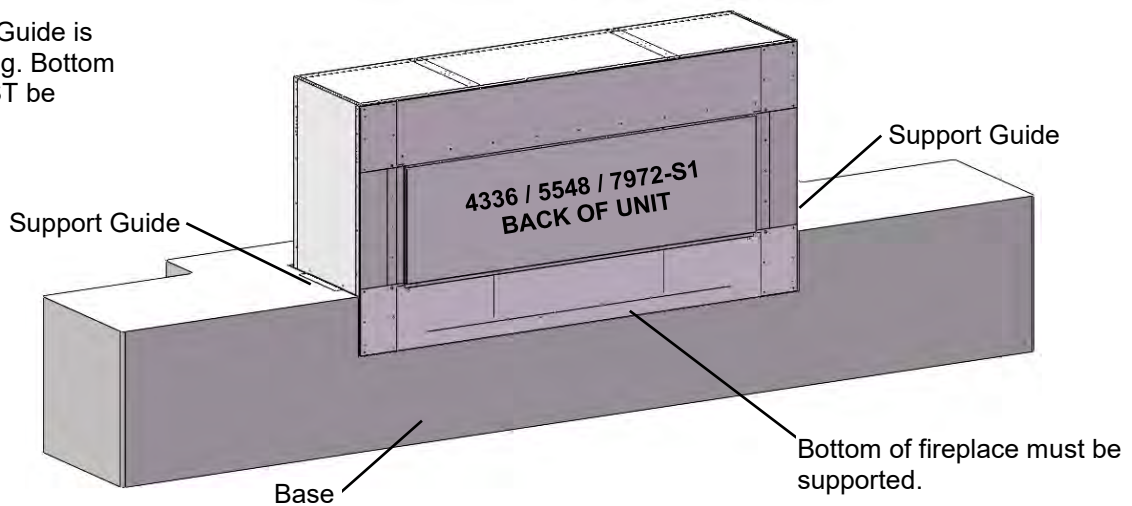
Adjustable Support Guides on the sides of the fireplace can be used to assist installation.



Set Support Guides at desired height and attach with DT Screws.



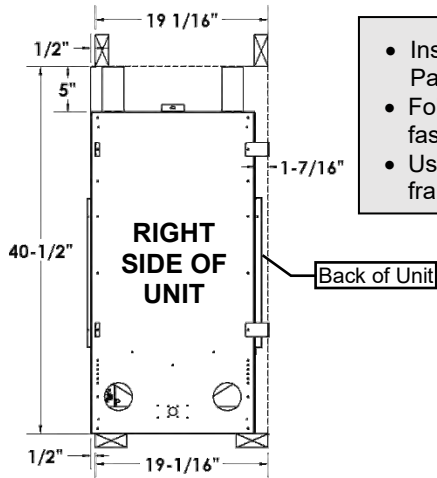
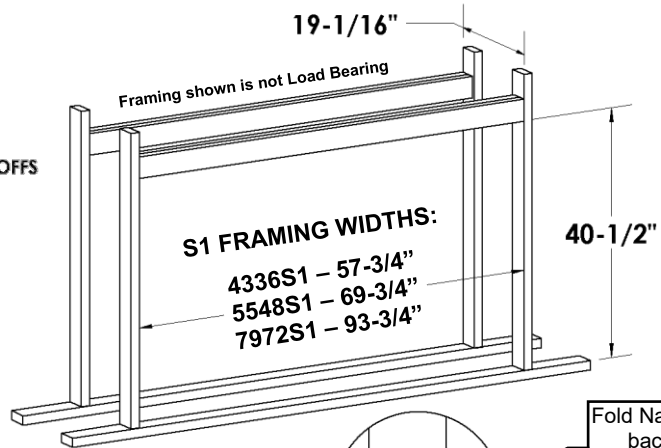
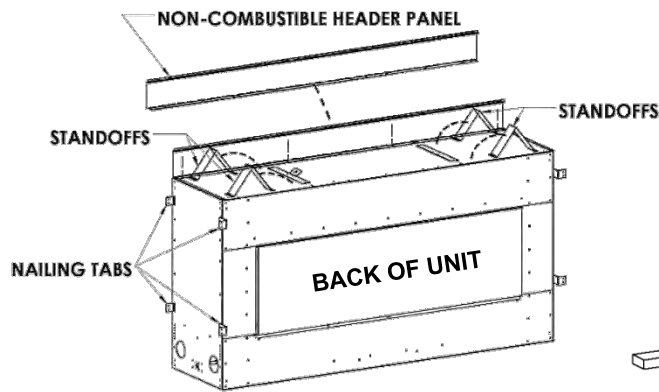
NOTE: Support Guide is NOT load bearing. Bottom of fireplace MUST be supported.



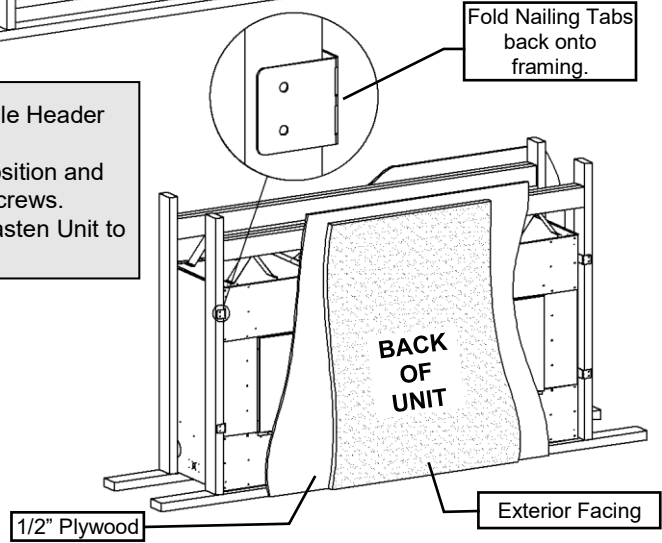
# Outdoor Fireplaces

OPTIONAL FRAMING: OFP4336 / OFP5548 / OFP7972 (S1 & S2)

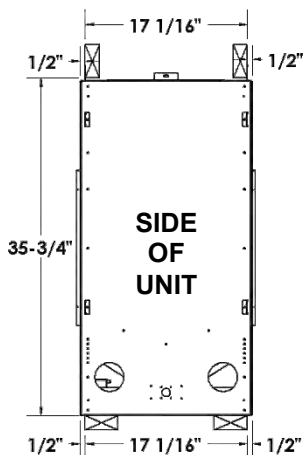
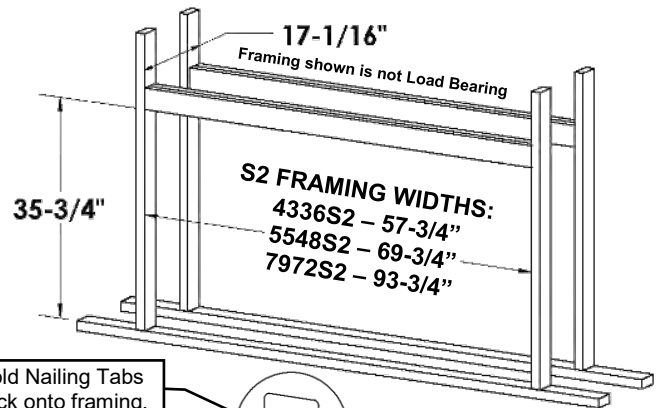
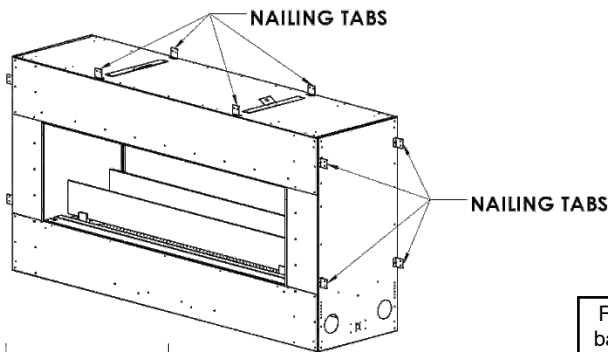
## 4336 / 5548 / 7972-S1 Single Sided Framing



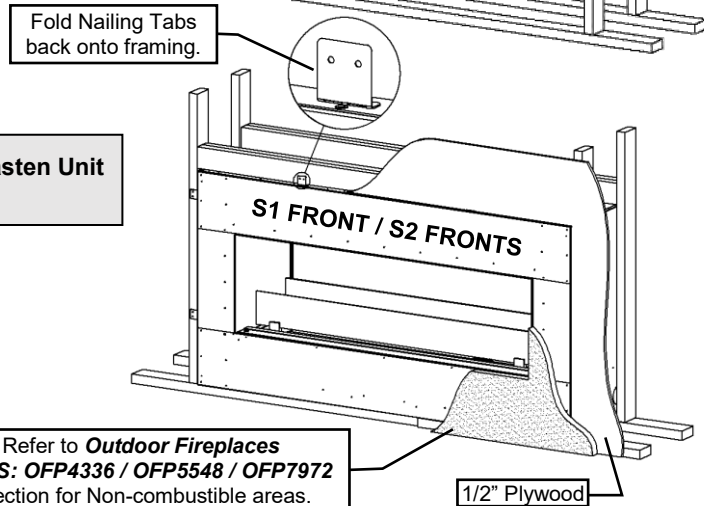
- Install Non-combustible Header Panel.
- Fold Standoffs into position and fasten in place with Screws.
- Use Nailing Tabs to fasten Unit to framing.



## 4336 / 5548 / 7972-S2 See Through Framing



- Use Nailing Tabs to fasten Unit to framing.

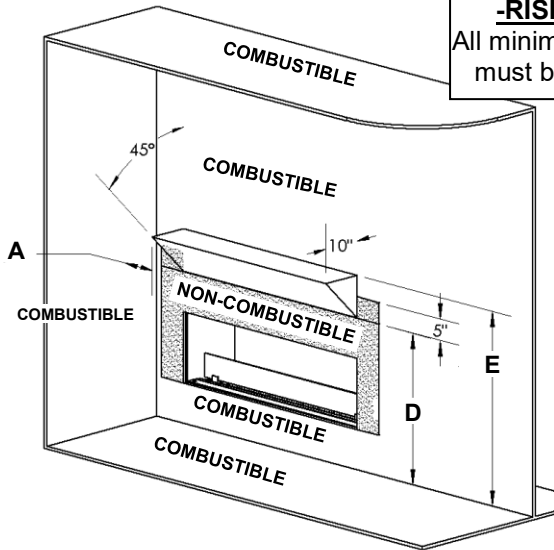


Facing – Refer to *Outdoor Fireplaces CLEARANCES: OFP4336 / OFP5548 / OFP7972 (S1 & S2) section* for Non-combustible areas.

# Outdoor Fireplaces CLEARANCES: OFP4336 / OFP5548 / OFP7972 (S1 & S2)

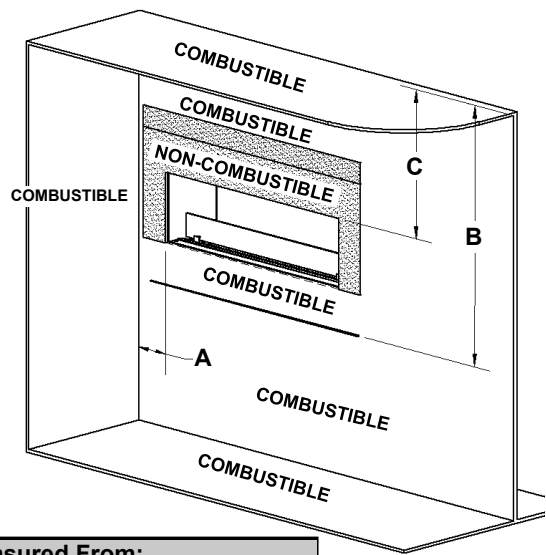
The sides and top of the front face of these appliances must be covered with non-combustible materials only.

## FLOOR INSTALLATION

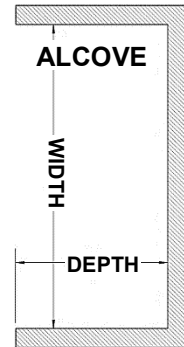


**WARNING**  
**-RISK OF FIRE-**  
 All minimum clearances must be adhered to.

## ELEVATED INSTALLATION

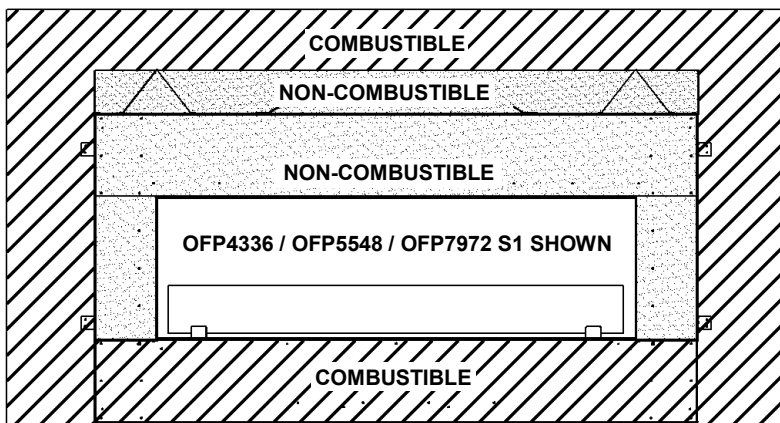


Clearance	Dimension	Measured From:
A: Side wall	8-1/2"	Side of fireplace opening
B: Ceiling	61"	Bottom of Unit
C: Ceiling	35"	Top of fireplace opening
D: Mantel Height- Bottom	35-1/2"	Bottom of Unit
E: Mantel Height- at 10" Depth	45-1/2"	Bottom of Unit
Combustibles In Front of Unit	36"	Face or Facing of Fireplace
Top, Sides and Back of Appliance	0"	Standoffs
ALCOVE		
Alcove Depth- All Units	36"	Face or Facing of Fireplace
Alcove Width- OFP4336S1 & S2	60" = Fireplace Opening (43") plus Side wall Dim A (8-1/2") x 2	
Alcove Width- OFP5548S1 & S2	72" = Fireplace Opening (55") plus Side wall Dim A (8-1/2") x 2	
Alcove Width- OFP7972S1 & S2	96" = Fireplace Opening (79") plus Side wall Dim A (8-1/2") x 2	

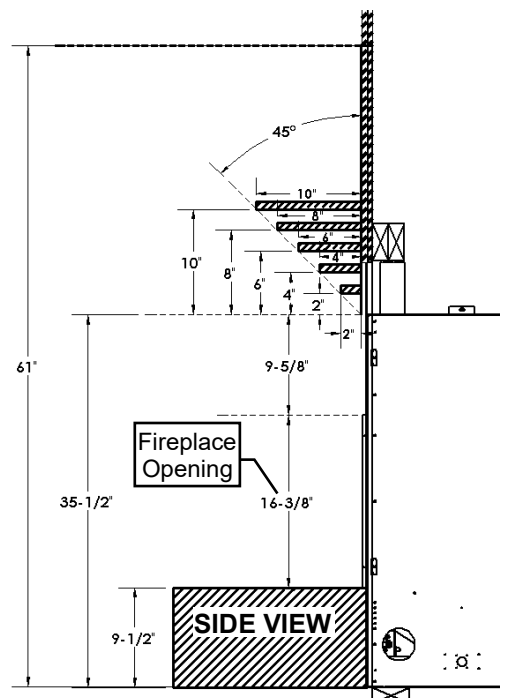


Sides and Top of Front Faces of OFP4336 / OFP5548 / OFP7972 S1 and S2 Fireplaces can be covered by Non-combustible materials only (i.e. brick, stone, tile, concrete board, etc.).

Mantel Dimensions are from front face or Non-Combustible Facing Materials covering fireplace.



**WARNING**  
**Combustible Objects on Non-Combustible Mantel**  
 Combustible objects must not be placed on a Non-combustible Mantel unless the mantel meets the dimensional requirements for a Combustible Mantel. Determine whether your mantel conforms to the requirements of a Combustible Mantel.



# Surround Installation

# OFP43SS / OFP55SS / OFP79SS

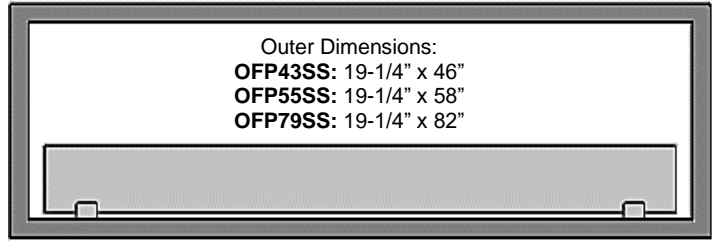
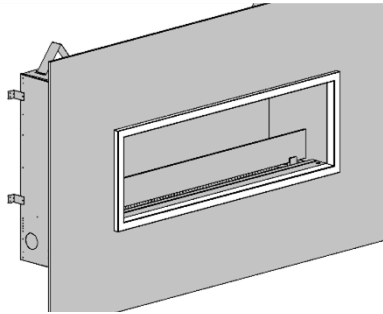
### Parts List:

- [1] Surround Frame
- [2] Side Filler Panels (1LH & 1RH)
- [5] Stainless Steel Screws

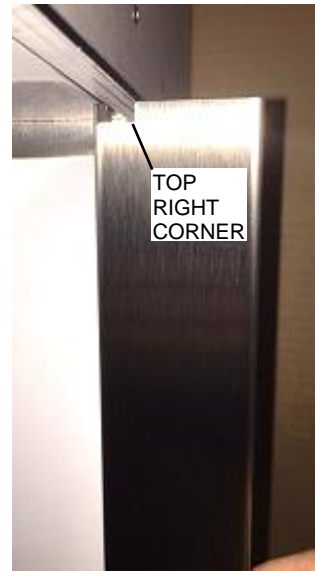
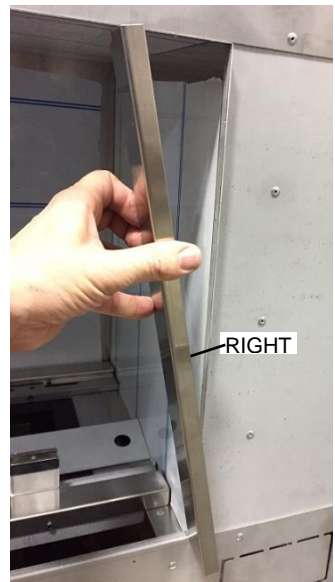
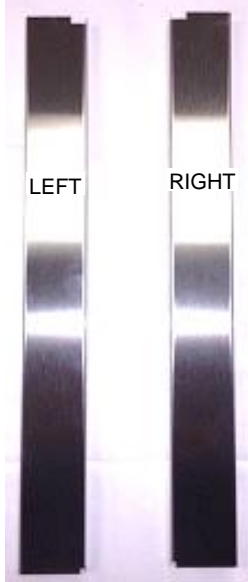
Surround Face is 1-1/2" wide x 1" deep

Surround Frames are 1" Deep, with a 3/4" space behind the frame. The fireplace face may be covered with non-combustible materials.

**WARNING:** Failure to position the parts in accordance with these diagrams or failure to use only parts specifically approved with this appliance may result in property damage or personal injury.



**CAUTION:** Stainless Steel requires room to expand and contract. Allow a minimum 1/8" gap between finishing materials and perimeter of surround.

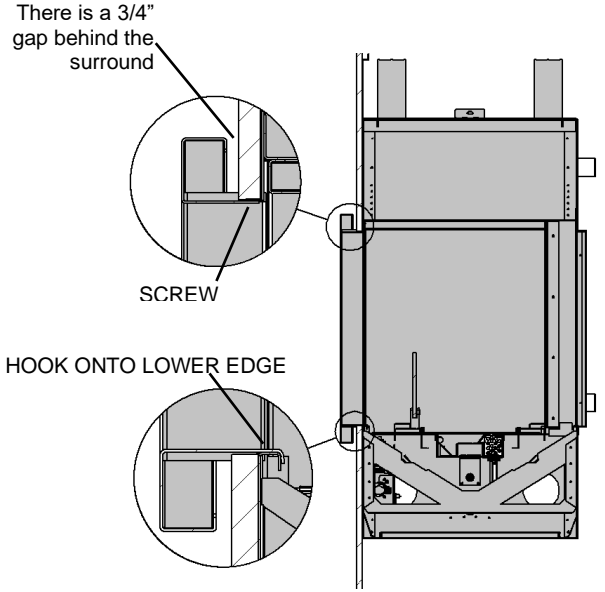


**STEP 1:** Place bottom of Side Filler into gap at corner of opening.

**STEP 2:** Push Side Filler into place. Repeat procedure for other side.



**STEP 3:** Hook Surround Frame onto Lower Edge of fireplace opening.



**STEP 4:** Push Surround Frame into place and attach with screws into top lip of opening.

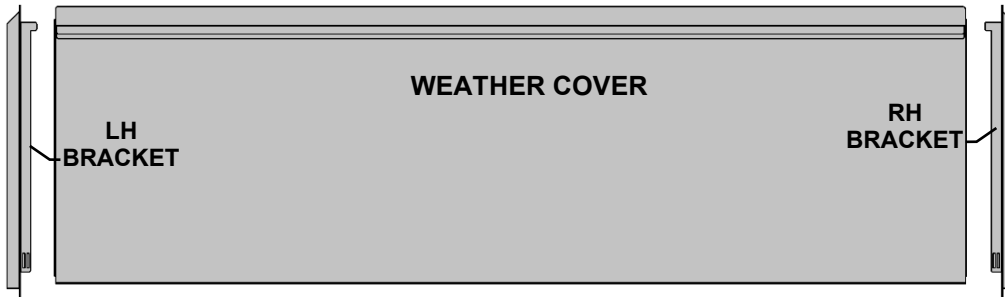


# Weather Cover Installation – OFP4336 / 5548 / 7972 Fireplaces

**Kits:** OFP43WC, OFP55WC, OFP79WC

**Contents:** 1 Weather Cover, 2 Mount Brackets

**- WARNING -**  
**PILOT KNOB MUST BE TURNED TO THE "OFF" POSITION BEFORE INSTALLING WEATHER COVER.**  
**SERIOUS DAMAGE CAN BE CAUSED TO THE APPLIANCE AND PROPERTY IF PILOT IS LEFT ON AND THE MAIN BURNER IS TURNED ON WHEN WEATHER COVER IS INSTALLED.**  
**ANY DAMAGE CAUSED AS A RESULT OF THE PILOT OR MAIN BURNER BEING LEFT ON WHEN A WEATHER COVER IS INSTALLED WILL NOT BE COVERED UNDER WARRANTY.**



## STEP ONE: INSTALL MOUNT BRACKETS (May already be installed on Fireplace)

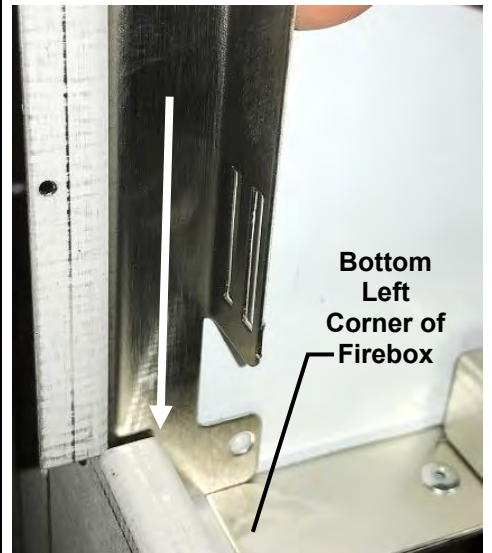
1. Remove Access Cover from fireplace.



2. Insert Mount Brackets into upper corners and in between front face and side panel of firebox as shown below.

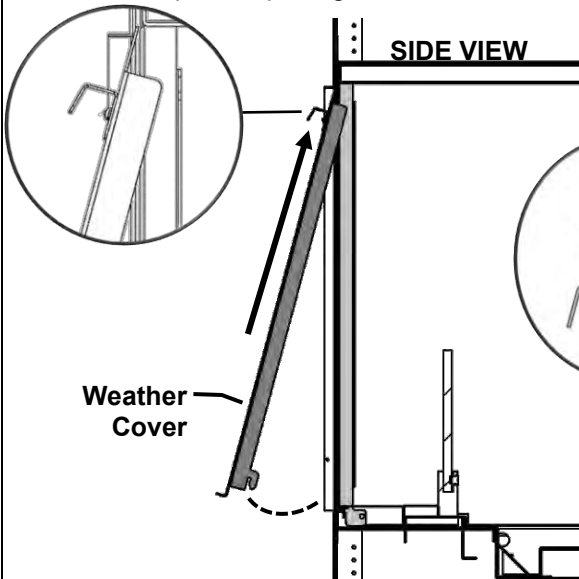


3. Push Mount Bracket down into place. Replace Access Cover.

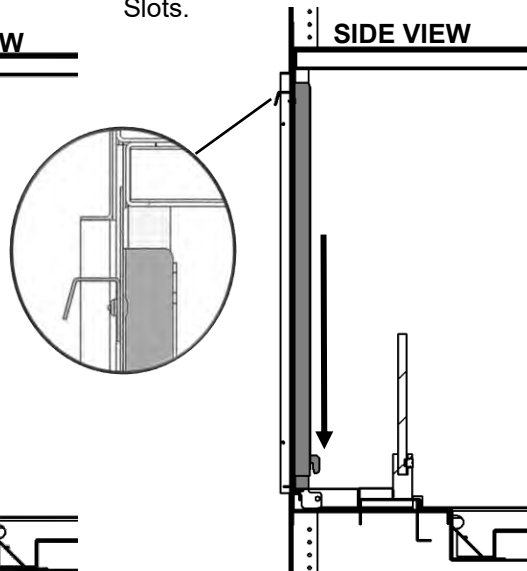


## STEP TWO: INSTALL WEATHER COVER

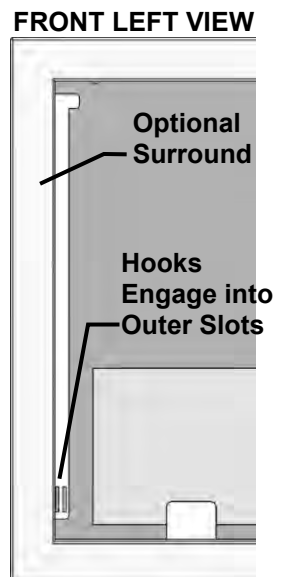
1. Insert Top of Weather Cover into Slot above Fireplace Opening.



2. Lower Weather Cover slowly and engage Hooks into Slots.



3. Weather Cover will engage into outer Slots.



# OFP 4336 / 5548 / 7972 – Weather Cover Safety Switch -

**NOTE:** Barbara Jean Outdoor Fireplaces with the following serial numbers or higher are equipped with a Weather Cover Safety Switch:

OFP4336: OB36MVN – SN# 5813

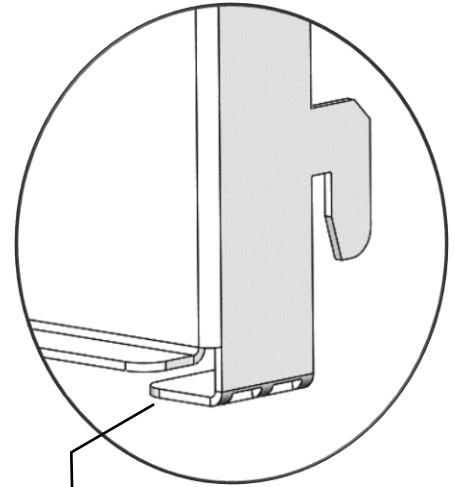
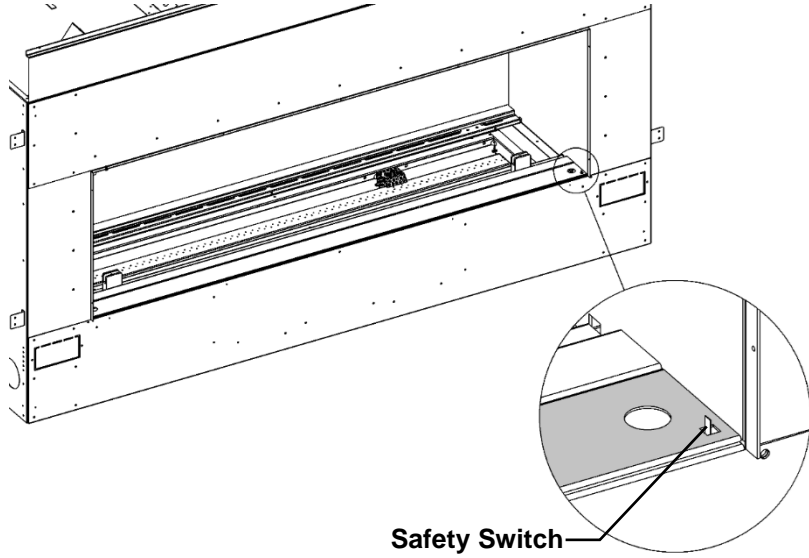
OFP5548: OB48MVN – SN#5798

OFP7972: OB72MVN SN#1359

This switch ensures that if the Weather Cover is installed, the fireplace cannot be accidentally turned on (i.e., with a remote control).

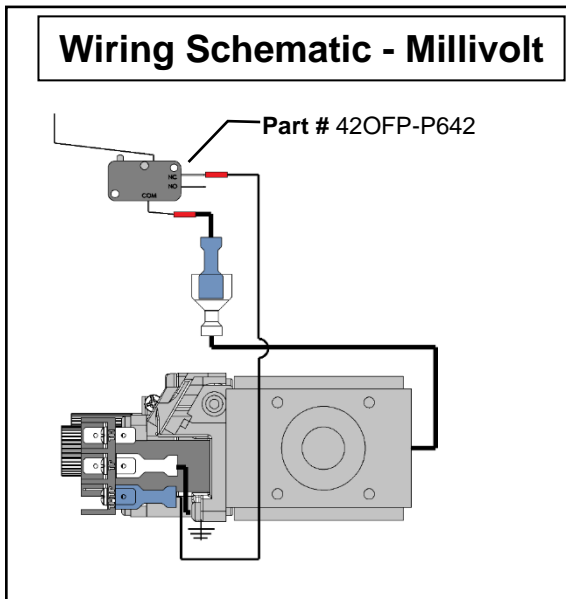
**IMPORTANT NOTE: Safety Switch Lever must be protruding from Access Cover for fireplace to operate.**

**IF FIREPLACE WILL NOT LIGHT:** Ensure that Safety Switch Lever is not stuck under the Access Cover (See below).

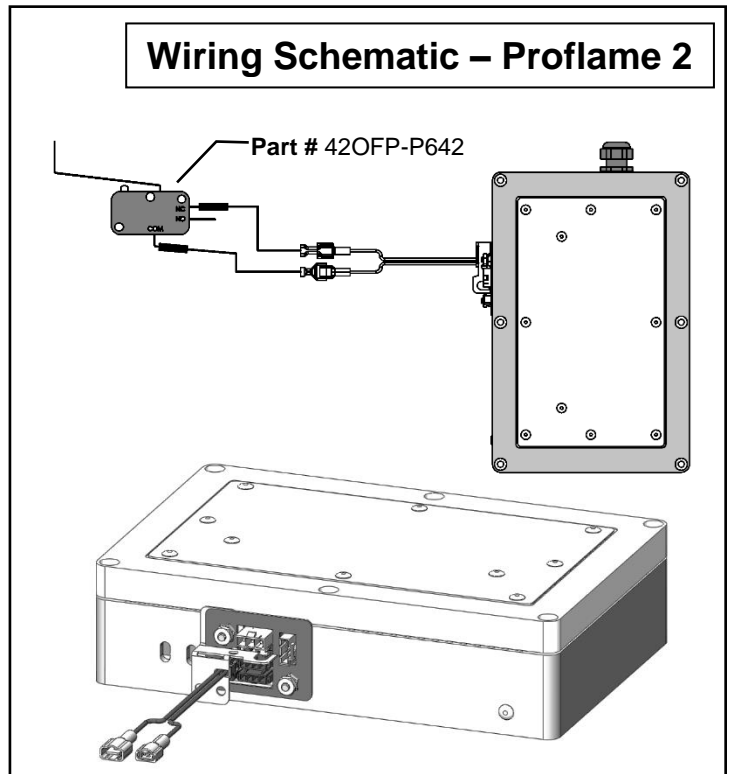


**Safety Switch Lever** will be depressed by the tab on the right side of the Weather Cover. This will prevent the fireplace from accidental ignition when the optional Weather Cover is installed.

## Wiring Schematic - Millivolt



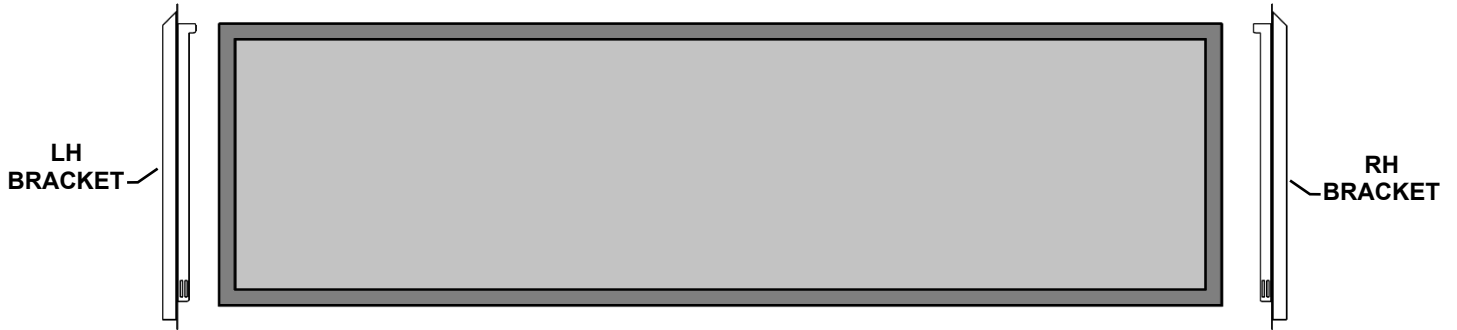
## Wiring Schematic – Proflame 2



# Safety Screen Installation – OFP4336 / 5548 / 7972 Fireplaces

**Kits:** OFP43SC, OFP55SC, OFP79SC

**Contents:** 1 Safety Screen, 2 Stainless Steel Mount Brackets

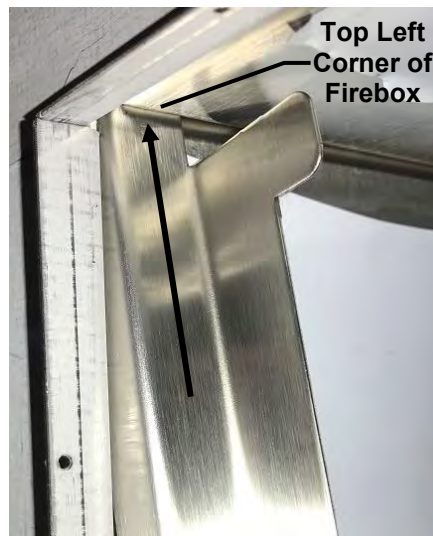


## STEP ONE: INSTALL MOUNT BRACKETS- (May already be installed on Fireplace)

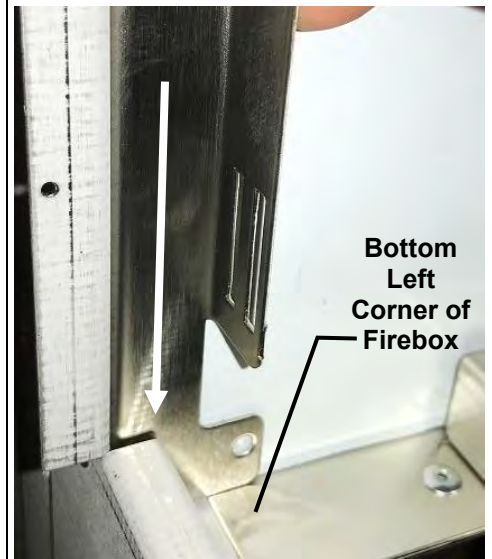
1. Remove Access Cover from fireplace.



2. Insert Mount Brackets into upper corners and in between front face and side panel of firebox as shown below.

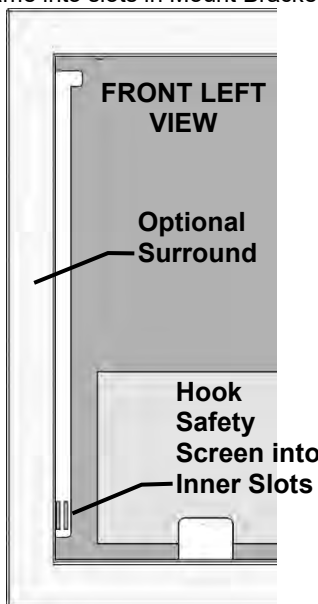


3. Push Mount Bracket down into place. Replace Access Cover.

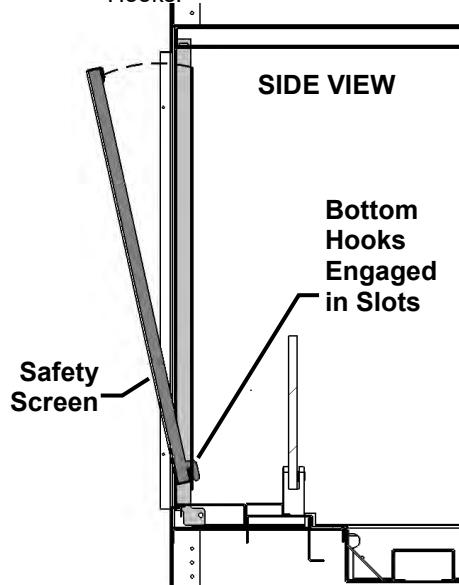


## STEP TWO: INSTALL SCREEN

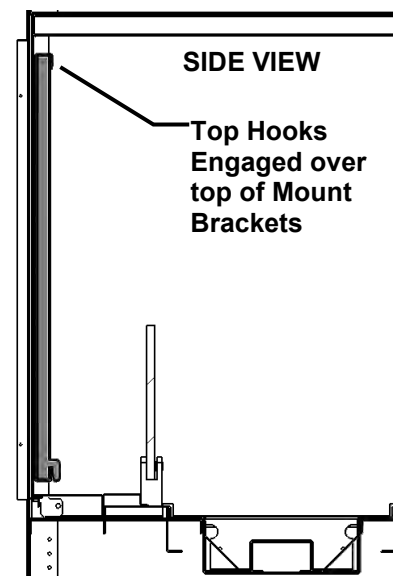
1. Insert Bottom Hooks on Screen Frame into slots in Mount Brackets.



2. Tilt Safety Screen and insert Bottom Hooks.



3. Lift Top Hook on Screen Frame over top of Mount Brackets.

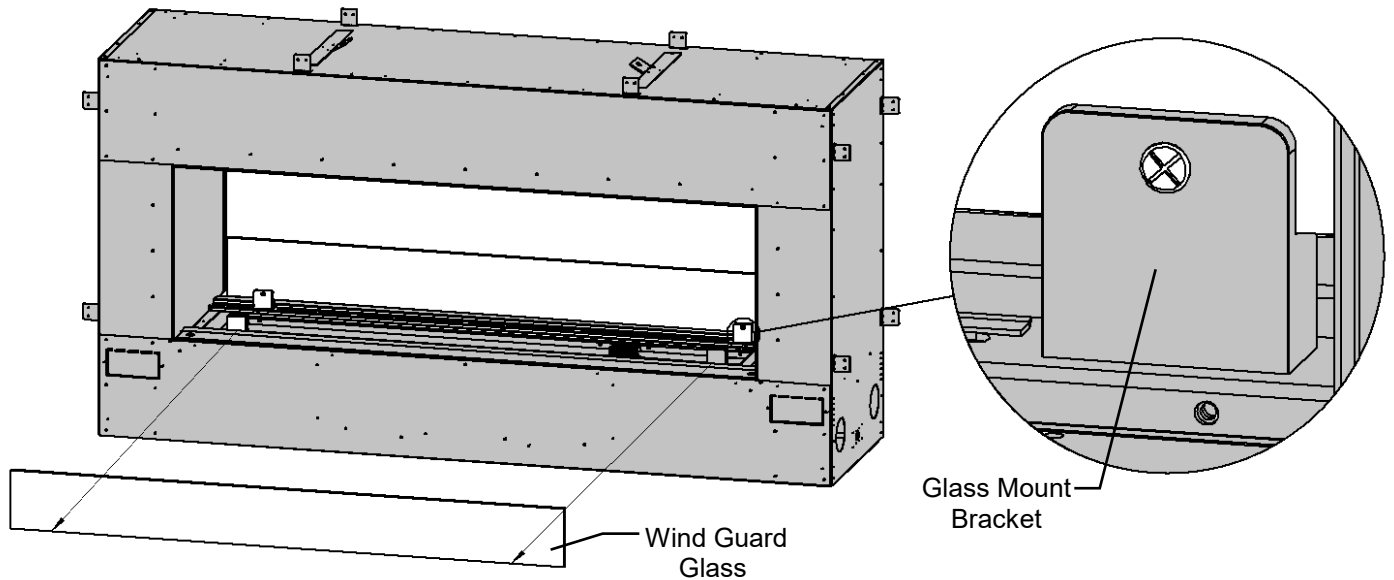


## OFP4336 / OFP5548 / OFP7972 Wind Guard Glass Installation

Wind Guard Glass must be installed for safety and in order for unit to function properly.

**Step one:** Place Wind Guard Glass into Glass Mount Brackets.

**Step two:** Center Wind Guard Glass in appliance and tighten screws in Glass Mount Brackets. **Do NOT over tighten.**



**WARNING:** Failure to position the parts in accordance with these diagrams or failure to use only parts specifically approved with this appliance may result in property damage or personal injury.

## Stainless Steel Parts And Accessories

**NOTE:** The protective wrap on stainless steel parts is best removed at room temperature. A hair dryer may be helpful.

### Cleaning Stainless Steel

Stainless steel tends to oxidize or stain in the presence of chlorides and sulfides, particularly in coastal areas and other harsh environments, such as the warm, highly humid atmosphere around pools and hot tubs. These stains could be perceived as rust, but can be easily removed or prevented. To provide stain prevention and removal, wash all stainless steel surfaces every 3-4 weeks or as often as required with fresh water and/or stainless steel cleaner.

**Notes on Cleaning Stainless Steel Surfaces:** Do not use abrasive cleaners or steel wool on any painted, or stainless steel parts. Doing so will scratch the finish. Exterior surfaces should be cleaned with warm soapy water. Use a stainless steel or a non-abrasive cleaner. Always wipe in the direction of the grain.

Over time, stainless steel parts discolor when heated, usually to a golden or brown hue. This discoloration is normal and does not affect the performance of the appliance.

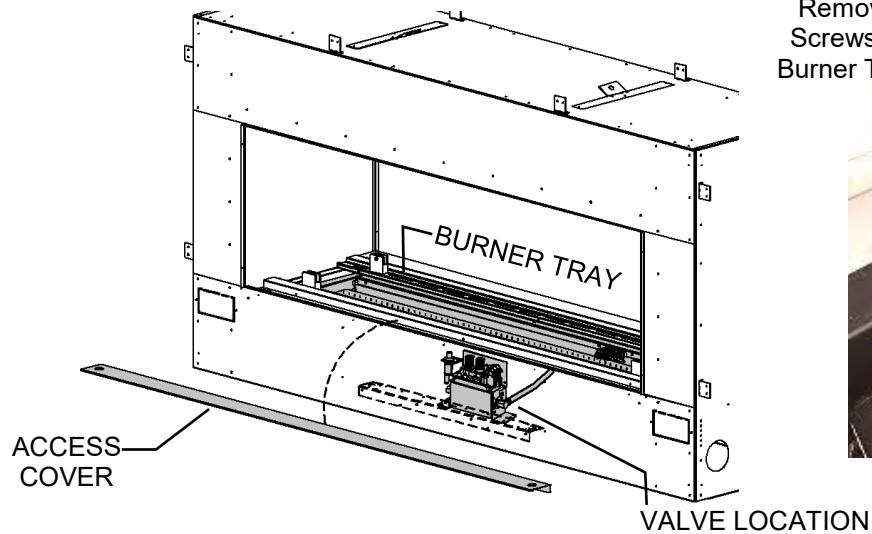


# OFP4336 / OFP5548 / OFP7972 -Burner Removal / Installation

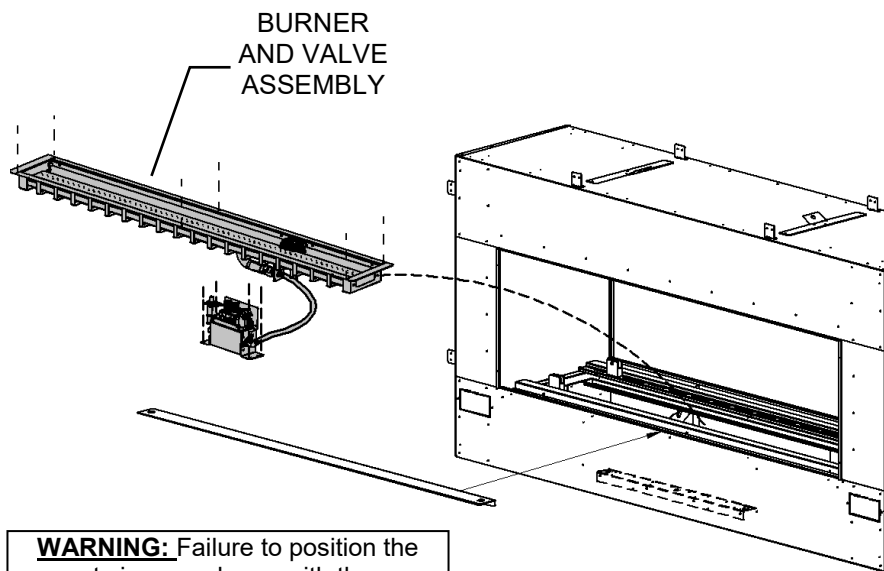
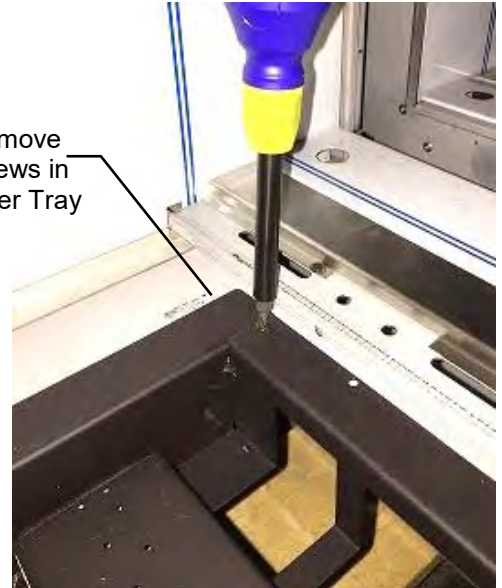
**⚠ THE FOLLOWING MUST BE PERFORMED BY QUALIFIED INSTALLERS ONLY.**

## To remove burner:

1. Disconnect gas supply. **Caution: only a qualified person should do this.**
2. Remove Access Cover.
3. Remove Screws in Burner Tray and Valve Bracket.



Remove  
Screws in  
Burner Tray



**WARNING:** Failure to position the parts in accordance with these diagrams or failure to use only parts specifically approved with this appliance may result in property damage or personal injury.

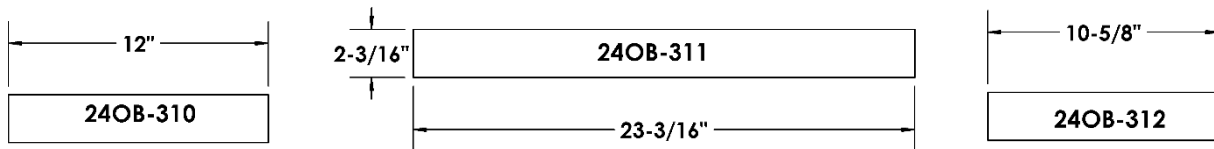


Remove  
Screws from  
Valve  
Bracket

**TO INSTALL BURNER, REVERSE ABOVE STEPS.**

# Glass Filler Panels for Proflame 2 OB Burners with LED Lights

Glass Filler Panels			
Burner	Part Number	Quantity Used	Part Length
24OB	24OB-311	1	23.170"
	24OB-312	2	10.465"
36OB	24OB-310	2	12.000"
	24OB-311	1	23.170"
	24OB-312	2	10.465"
48OB	24OB-310	4	12.000"
	24OB-311	1	23.170"
	24OB-312	2	10.465"

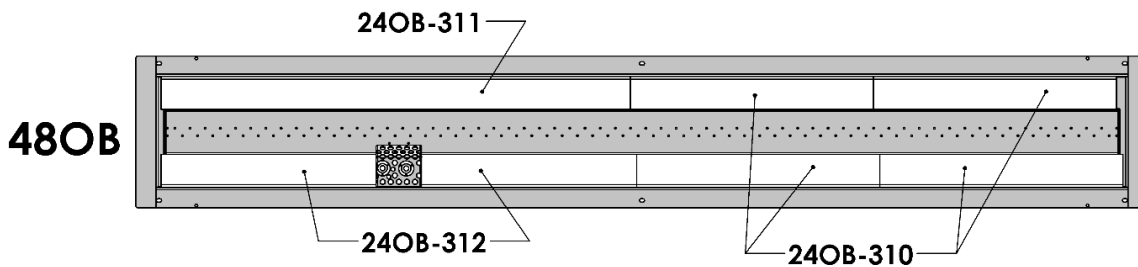
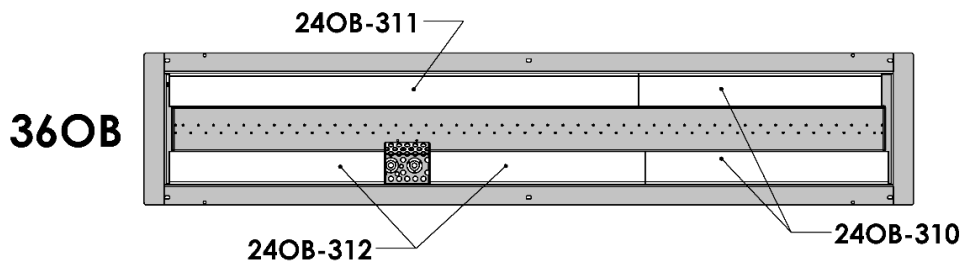
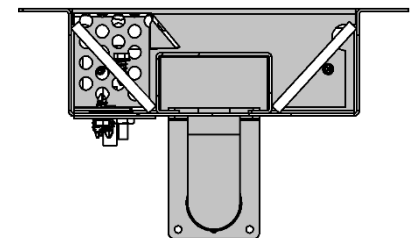
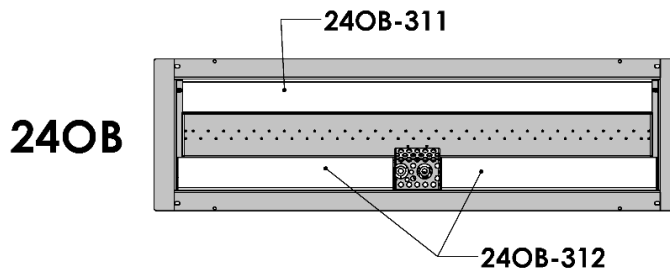


Placement locations of Glass Filler Panels shown below.

**Note:** 72" Burners consist of [2] 36" Burners.

96" Burners consist of [2] 48" Burners.

**END VIEW**



## Proflame 2 OB Burners with LED Lights – Seal Glass Filler Panels –

Glass Filler Panels must be sealed with **Mill-Pac Sealant**, and the joints and ends covered with the **Glass Joint Clips** provided.

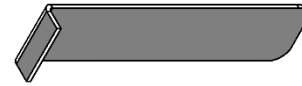
This procedure will prevent flames from rolling underneath the burner tray.

Follow the installation procedure below.

Parts: (Qty. 1) Tube Black Mill-Pac Sealant



(Qty. 10) Glass Joint Clips



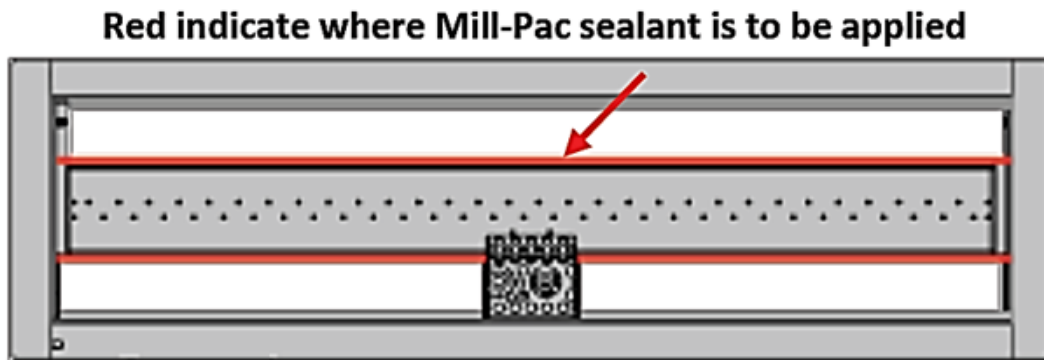
### 1. Locate Glass Filler Panels Shipped with Appliance.

Have them ready to install once sealant is applied.

### 2. Apply Mill-Pac Sealant along the bottom edge of both sides of the burner tube.

- Ensure the pilot assembly and shield are installed before installing glass filler panels.
- Using the supplied tube of Mill-Pac Sealant, apply a small amount along the bottom edge of the burner tube sides.

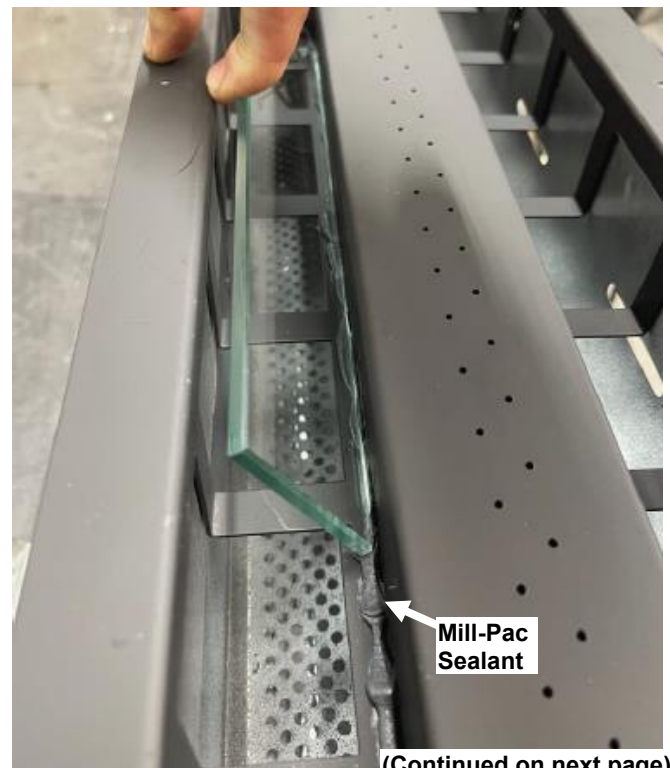
**NOTE: Do not apply Mill-Pac Sealant under the pilot shield.**



### 3. Install Glass Filler Panels into Burner Assembly.

- Refer to the chart and diagrams on the previous page for proper placement of the Glass Filler Panels.
- Place the bottom edge of the glass panels into the sealant on the burner tube side, and set them in place in the burner tray.

**NOTE: Ensure that there is no gap between the glass panels, and those next to the pilot shield are tight against it.**

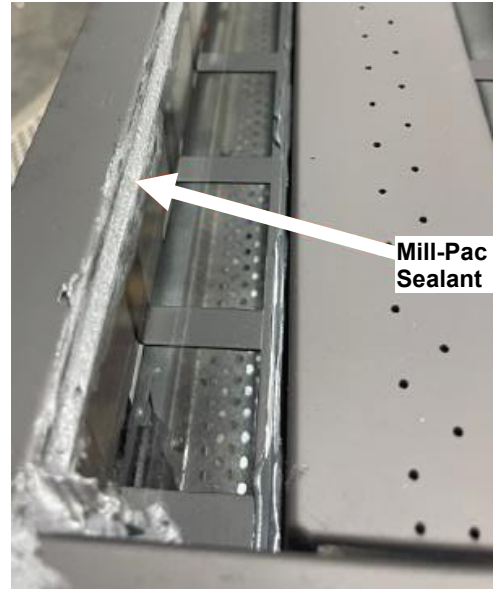


(Continued on next page)

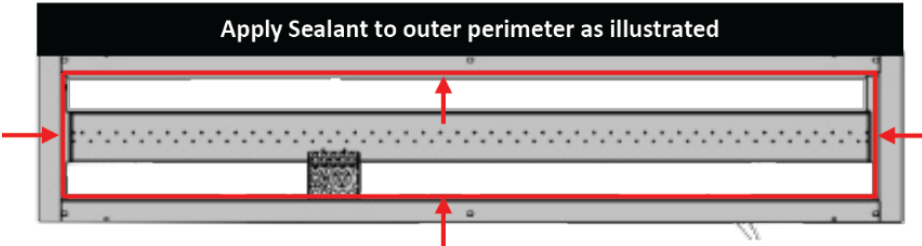
#### 4. Seal the top of the Glass Filler Panels.

- Apply a bead of Mill-Pac Sealant along the top edges of the Glass Filler Panels.
- Using cardboard or a spatula, press and smooth the sealant between the glass panels and the top edge of the burner tray to create a smooth seal. Remove excess sealant.

**NOTE: The faces of the glass panels must remain clear of sealant.**

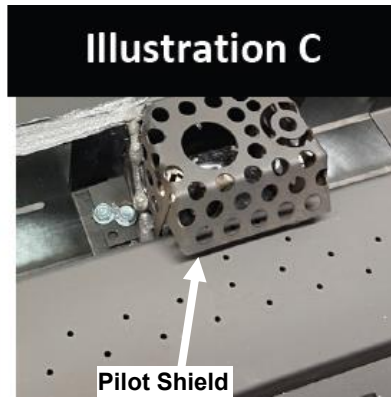
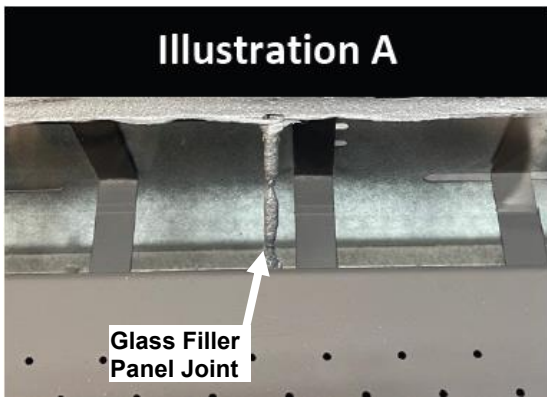


Apply Sealant to outer perimeter as illustrated



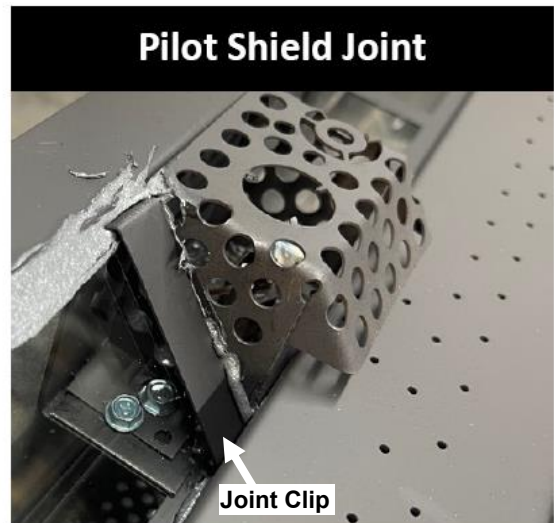
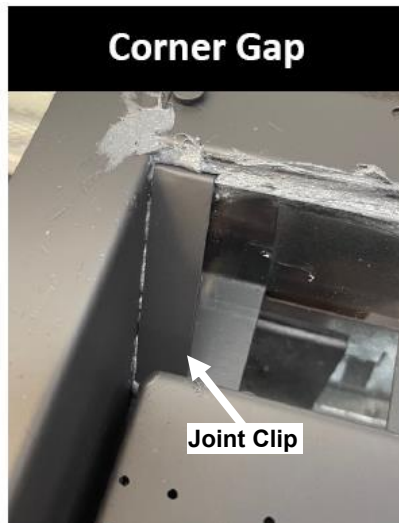
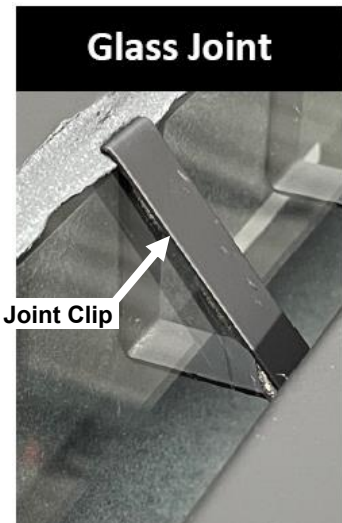
#### 5. Seal Glass Filler Panel Joints and Corners.

Apply a thin layer of sealant to the joints between glass panels, as well as at the ends. Seal the end of the glass panels against the pilot shield.



#### 6. Install Joint Clips over joints and corners.

Place a Joint Clip over all Glass Filler Panel Joints, and press into the Mill-Pac Sealant. Also install Joint Clips into the Corners and against the Pilot Shield.





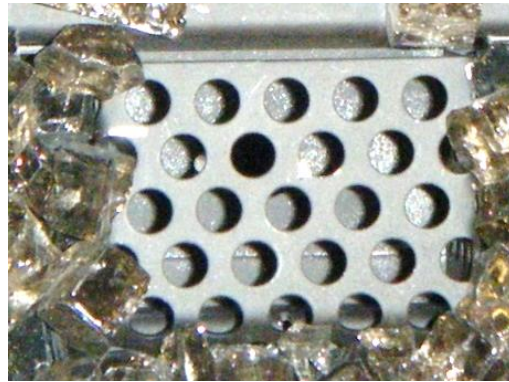
## Glass Media for Outdoor Burners

Choose Glass Media - 5 lbs. per Foot of Burner (i.e.: 24" burner = 10lbs)

Product Number	Description
<b>MQG5ZG</b>	Glass Media - ZIRCON Glacier Ice - 5 lbs. <b>NOTE:</b> For OB36 use 4 bags (20 lbs.) For OB48 use 5 bags (25 lbs.) For OB72 use 8 bags (40 lbs.) For OB96 use 10 bags (50 lbs.)
<b>MQG5A</b>	Glass Media - 1/2" Cobalt Blue - 5 lbs.
<b>MQG5B</b>	Glass Media - 1/2" Black - 5 lbs.
<b>MQG5C</b>	Glass Media - 1/2" Bronze - 5 lbs.
<b>MQG5W</b>	Glass Media - 1/2" White - 5lbs.

Spread glass evenly in burner tray.

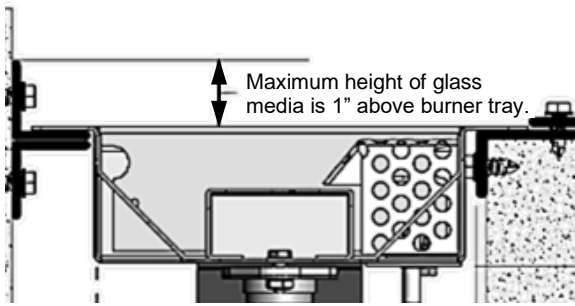
**Pilot Shield must not be covered**, as a delayed ignition can occur (See photo below).



Pilot Area Must **Not** Be Covered.

Use of any other glass can alter the performance of the unit and is not covered under warranty.

Discoloration of glass media may occur if placed on the burner, this is not covered under warranty.



**SIDE VIEW**



## Optional Media Accessories

**MQRBD3 – Driftwood Log Set – 5 piece**



Place Logs Randomly as shown. Do not cover Pilot.

## Optional Media Accessories

### MQRBD4 – Driftwood Log Set – 3 piece



Place Logs Randomly as shown. Do not cover Pilot.

### MQROCK2 – Rock Set, Contemporary Collection – Natural

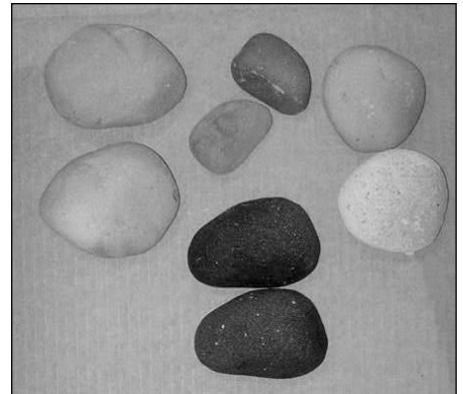
### MQROCK3 – Rock Set, Contemporary Collection – Multi-Colored

### MQSTONE – Decorative Stones – 80 Piece Set

### MQSTONE10 – Decorative Stones – 10 Piece Set

Place Rocks and Stones randomly. Do not cover Pilot.

Not all Rocks or Stones will be used on all models.



### RBCB1 – Canonballs – Assorted Size and colors- 14 pieces



Place Canonballs randomly. Do not cover Pilot. Not all Canonballs will be used on all models.

### **NOTE**

- Pilot Area Must Not Be Covered, as delayed ignition can occur.
- Be Careful Not To Cover Any Part Of The Burner Tube As Cannonballs may become discolored or sooting may occur.

## Burner System Maintenance

It is recommended to annually inspect and clean the Burner System to prevent malfunction and / or sooting. This operation should be performed by your dealer or a qualified technician.

### -CAUTION-

Before servicing the burner system ensure that the gas supply is turned OFF and disconnect all electrical connections to the appliance. Allow the appliance to cool to room temperature. Note that the pilot assembly may be hot in an intermittent or standing-pilot system—even if the main burner was never on. Exercise caution when working within the area.

**-ALL WORK SHOULD BE PERFORMED BY A QUALIFIED AND CERTIFIED TECHNICIAN-**

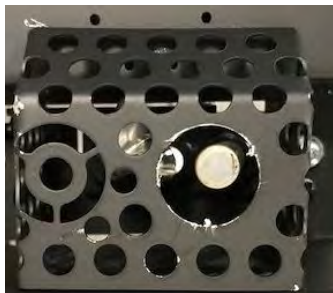
**This appliance is not intended for use in temperatures below freezing.**

### Monthly Flame Inspection

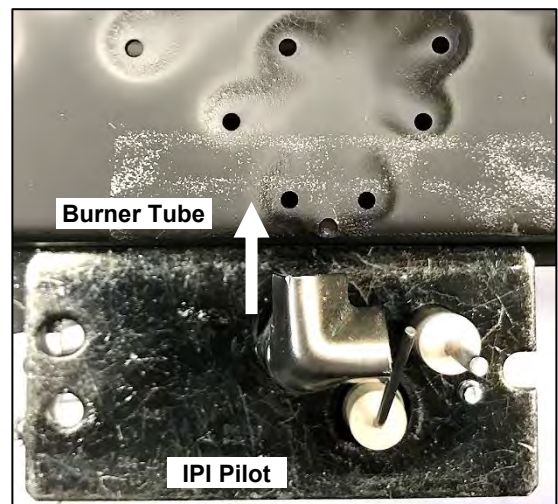
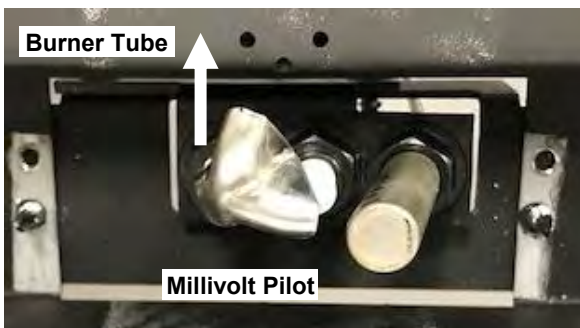


It is recommended to turn on the unit at least once a month and inspect the flame pattern to ensure there are no problems with the burner tube (Flame should appear similar to the above picture).

Pilot Shield should be visually inspected monthly to ensure proper operation and for signs of deterioration due to flame exposure. Replace if necessary.



**Pilot Must Maintain This Relationship with Burner. Pilot Area Must Not Be Covered with Media i.e., Glass.**



The appliance should be inspected before initial use and inspected and cleaned at least annually by a qualified field service person.

Tampering is DANGEROUS and voids all warranties. Any component that is found to be faulty, must be replaced with an approved component.

If the burner is damaged it must be replaced with an approved burner. Refer to parts list at the back of this manual.

To obtain proper operation, it is imperative that the burner flame characteristics are steady, not lifting or floating. Check the burner flame patterns with **Burner System Maintenance** Section.

Periodically remove media and examine the burner. If dirty, clean with a soft brush. Also examine the area around the burner air shutter. Any dirt or lint in this area should be removed. This will ensure long life and trouble free operation. Replace media (rocks, logs, glass, etc.) as shown in manual. When the appliance is put back in service, check the burner flame patterns with **Burner System Maintenance** Section.

Periodically check the hose connecting the LP-gas cylinder to ensure it is not damaged in any way.

#### **FOR SAFE INSTALLATION AND OPERATION NOTE THE FOLLOWING:**

The Burner/Log Assembly has been engineered and permanently adjusted for proper flame control.

Label all wires prior to disconnection when servicing controls. Wiring errors can cause improper and dangerous operation. Verify proper operation after servicing.

Cylinders must be stored outdoors in a well ventilated area out of the reach of children. Disconnected cylinders must have threaded valve plugs tightly installed and must not be stored in a building, garage or any other enclosed area.

Storage of this appliance indoors is permissible only if it has been disconnected from its fuel supply (natural gas line or LP gas cylinder).

The LP gas cylinder supply system must be arranged for vapor withdraws.

The LP gas cylinder used must include a collar to protect the cylinder valve.

When an LP model is not in use, the LP gas must be turned off at the supply cylinder.

The appliance and its individual shut off valve must be disconnected from the gas supply piping system during any pressure testing of the system at test pressures in excess of ½ psi (3.5 kPa).

The appliance must be isolated from the gas supply piping system by closing its individual manual shutoff valve during any pressure testing of the gas supply piping system at test pressures equal to or less than ½ psi (3.5 kPa).

#### **CLEANING**

It is recommended to annually inspect and clean the unit to prevent malfunction and / or sooting. This operation should be performed by your dealer or a qualified technician.

Carefully remove media (log set, Rocks, Glass, etc.). Gloves are recommended.

**Warning:** Turn off Unit and allow to cool before cleaning. Only a qualified service technician should service and repair appliance.

- Do not use cleaning fluids to clean logs.
- Use a soft bristle brush or a vacuum with brush attachment.
- Vacuum loose particles and dust from burner and valve
- Inspect Burner Plate, Pilot, Valve, and Mixing Sleeve for spider webs or other blockages.
- If the burner or any other component is found to be faulty, it must be replaced prior to operation of the appliance with an approved component. **Replacement burner must be as specified in the manual.**
- Replace media. Refer to the appropriate page in this manual for proper placement of contents, such as logs.

# Millivolt System, Lighting, and Burner Control

## FOR YOUR SAFETY READ BEFORE LIGHTING

**WARNING:** If you do not follow these instructions exactly, a fire or explosion may result causing property damage, personal injury or loss of life.

### BEFORE LIGHTING

- A This appliance has a pilot which must be lighted by hand. When lighting the pilot, follow these instructions exactly.
- B Smell all around the appliance area for gas. Be sure to smell next to the floor because some gas is heavier than air and will settle on the floor.

#### WHAT TO DO IF YOU SMELL GAS

- Do not try to light an appliance.
- Do not touch any electrical switch; do not use any phone in your building.

- Immediately call your gas supplier from a neighbour's phone. Follow the gas supplier's instructions.
  - If you cannot reach your gas supplier, call the fire department.
- C Use only your hand to push or turn the gas control knob. Never use tools. If the knob will not push in or turn by hand, don't try to repair it. Call a qualified technician. Force or attempted repair may result in a fire or explosion.
- D Do not use the appliance if any part has been under water. Immediately call a qualified service technician to inspect the appliance and to replace any part of the control system which has been under water.

### LIGHTING INSTRUCTIONS

- Stop! Read the safety information above this label.
- Remove anything covering the burner (i.e., Burner Lid, Weather Cover).
- Locate valve under the burner assembly.
- If the control knob is not already in the off position, i.e. the word "OFF" in the 9 o'clock position, then push in the gas control knob slightly and turn ⤵ clockwise to "OFF". NOTE: Knob cannot be turned from "PILOT" to "OFF" unless knob is pushed in slightly. Do not use force.
- Wait five [5] minutes to clear out any gas. If you then smell gas. STOP! Follow "B" in the safety information above on this label. If you don't smell gas then go to the next step.
- Now push in the control knob slightly and turn ⤵ counter-clockwise to the "PILOT" position.
- Push in the control knob all the way and hold it. With the other hand push in the red igniter button until you hear a click. Now observe closely the pilot burner located on the rear center-left hand side of the main burner.

- If a flame has appeared then continue to depress the control knob for 20 seconds. If the flame did not appear then continue to depress the red igniter button every 5 seconds until a flame is established. NOTE: If after 30 seconds a flame has not yet been established then turn the control knob back to the off position and repeat steps 5, 6 & 7.
- Once the pilot has been established hold the control knob in the depressed position for approximately 25 seconds before releasing. If the flame goes out then repeat steps 7 and 8.
    - If the knob does not pop up when released, stop and immediately call your service technician or gas supplier.
    - If the pilot will not stay lit after several tries, turn the gas control to "OFF" and call your service technician.
  - Now turn the control knob to the "ON" position. The burner will not light unless the ON/OFF switch is turned "ON".
  - Replace any panels that were removed to access the valve.

### TO TURN OFF THE APPLIANCE

- Locate valve under the burner assembly.
- Push in the gas control knob slightly and turn ⤵ clockwise to the "OFF" position. Do not force.

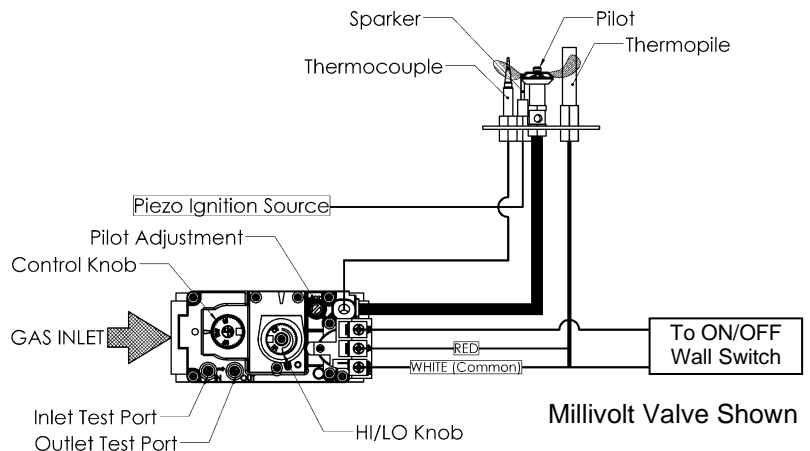
- Replace any panels that were removed to access the valve.

**NOTE:** Only one ON/OFF Switch should be connected to the appliance at any one time.

Recommended Maximum Lead Length (Double Wire)  
When Using Wall Switch:

Wire Size	Max. Length
14ga	100ft [30.4m]
16ga	64ft [19.5m]
18ga	40ft [12.1m]
20ga	25ft [7.6m]
22ga	15ft [4.5m]

**CAUTION: DO NOT WIRE 120V POWER TO MILLIVOLT SWITCHES.**

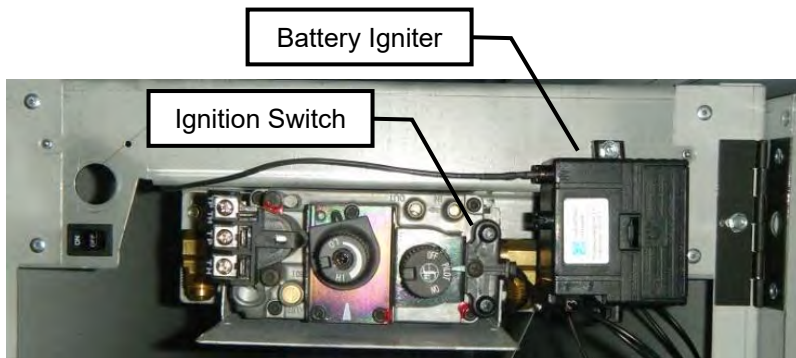
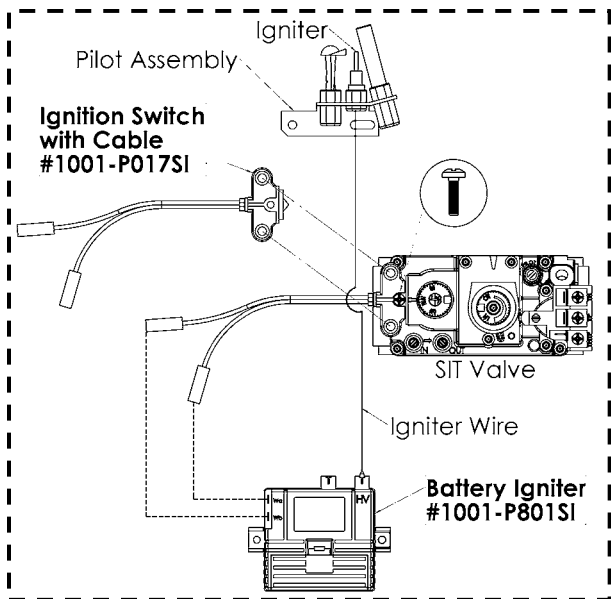


# Optional Electronic Spark Assist

# MVN / MVP Valve Systems

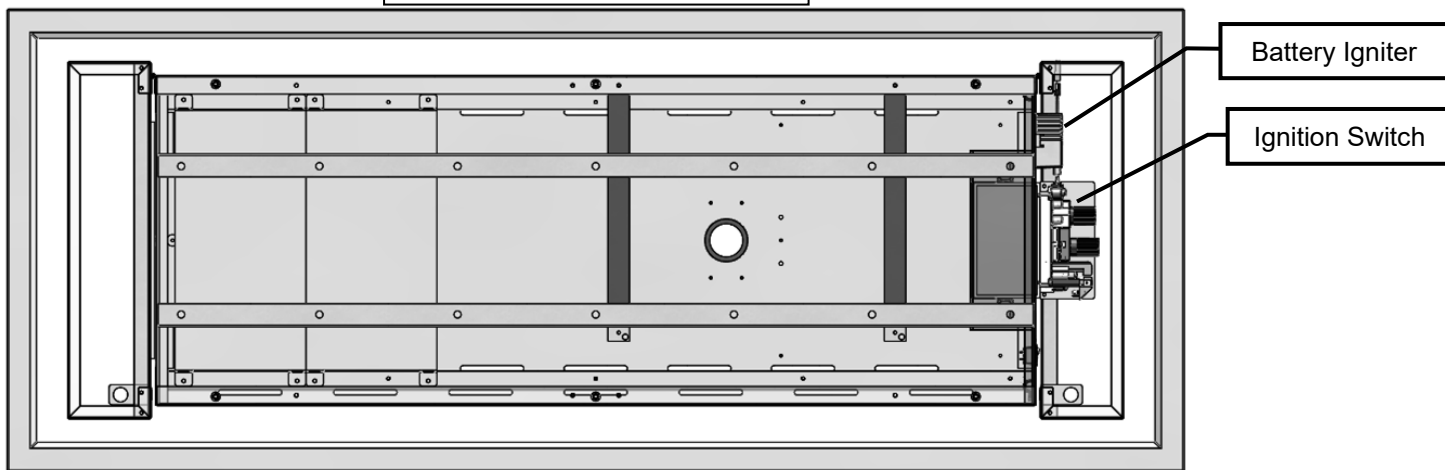
(Part Number OFP42SA)

A Battery powered module is available to assist in lighting the pilot burner. See below for installation.

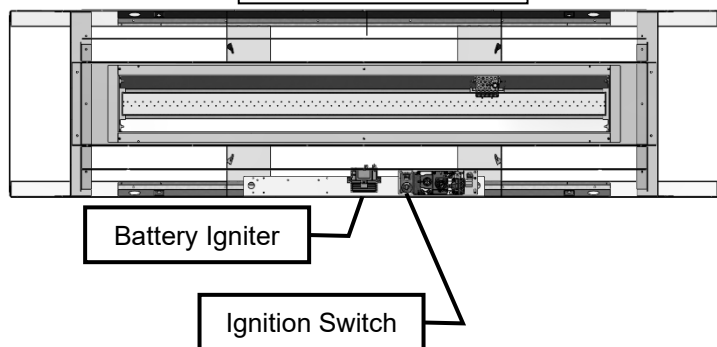


OLTG / OLTB

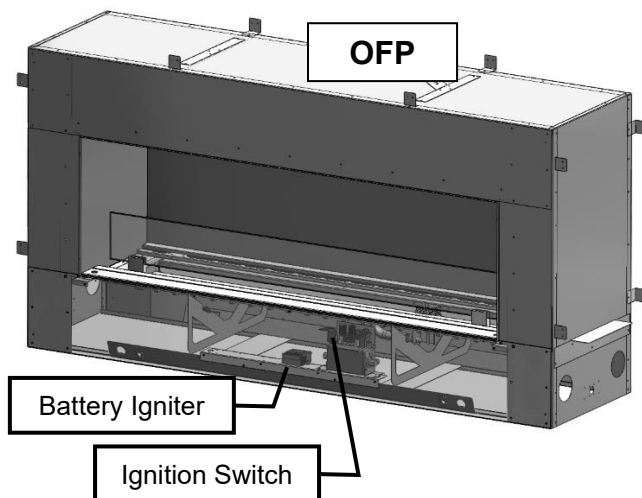
OLTG / OLTB – Top View



OFP – Top View



OFP



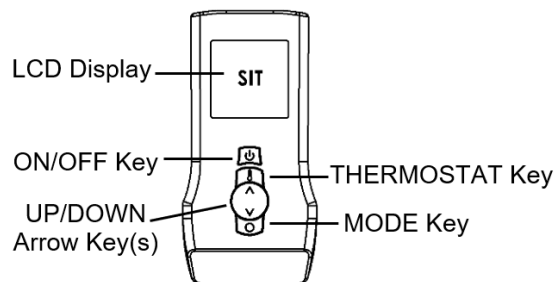
## - IPI LIGHTING INSTRUCTIONS - FOR YOUR SAFETY READ BEFORE LIGHTING

**WARNING: If you do not follow these instructions exactly, a fire or explosion may result causing property damage, personal injury or loss of life.**

- A. This appliance is equipped with an ignition device which automatically lights the pilot. Do not try to light the pilot by hand.
- B. **BEFORE OPERATING** smell around the appliance area for gas. Be sure to smell next to the floor because some gas is heavier than air and will settle on the floor.
- WHAT TO DO IF YOU SMELL GAS
- Do not try to light any appliance.
  - Do not touch any electric switch; do not use any phone in your building.
  - Immediately call your gas supplier from a neighbor's phone. Follow the gas supplier's instructions.
- If you cannot reach your gas supplier, call the fire department.
  - C. Do not use this appliance if any part has been under water. Immediately call a qualified service technician to inspect the appliance and replace any part of the control system and any gas control which has been under water.
  - D. If the gas valve requires repair, call a qualified service technician. Force or attempted repair may result in a fire or explosion.

## OPERATING INSTRUCTIONS

1. Stop! Read the safety information above on this label.
2. Read the owner's manual including the section on "Remote Control" operation if applicable.
3. Turn off all electric power to the appliance.
4. This appliance is equipped with an ignition device which automatically lights the pilot. Do not try to light the pilot by hand.
5. Wait five (5) minutes to clear out any gas. Then smell for gas, including near the floor. If you smell gas, STOP! Follow "B" in the safety information above this label. If you do not smell gas, go to next step.
6. Turn on all electric power to the fireplace.
7. Turn "On" Switch that operates the Main Burner. For **Remote Control** units, press the ON/OFF key on the remote control. "ON" will be displayed on the LCD display and a "beep" will be heard at the unit to indicate the command has been received.
8. If the appliance will not operate, follow the instructions "To Turn Off Gas To Appliance" and call your service technician or gas supplier.



## TO TURN OFF GAS TO APPLIANCE

1. For **Remote Control** units, press the ON/OFF key on the remote control. "OFF" will be displayed on the LCD display and a "beep" will be heard at the unit to indicate the command has been received.
2. Turn off all electric power to the fireplace if service is to be performed.

## - Gas Specifications -

### Millivolt Valve Systems

Models	Fuel	Gas Control	Max / Min (Btu)	Orifice Size (0-4500ft)	Air Shutter Opening	Gas Inlet Size	Gas Supply Pressure (Inches w.c.)	Manifold Pressure Low	Manifold Pressure High
OB36MVN	Natural Gas	Millivolt Adjustable	39,000Lo 60,000Hi	#25	1/16" Open	S.I.T. Nova 3/8"NPT	5.5" Min 7" Normal 10" Max	1.6" w.c. [0.40KPa]	3.5" w.c. [0.87KPa]
OB36MVP	Propane	Millivolt Adjustable	48,000Lo 60,000Hi	#43	Fully Open	S.I.T. Nova 3/8"NPT	11" Min 11" Normal 13" Max	6.3" w.c. [1.57KPa]	10" w.c. [2.61KPa]
OB48MVN	Natural Gas	Millivolt Adjustable	54,000Lo 80,000Hi	#14	1/16" Open	S.I.T. Nova 3/8"NPT	5.5" Min 7" Normal 10" Max	1.6" w.c. [0.40KPa]	3.5" w.c. [0.87KPa]
OB48MVP	Propane	Millivolt Adjustable	61,000Lo 80,000Hi	#37	Fully Open	S.I.T. Nova 3/8"NPT	11" Min 11" Normal 13" Max	6.3" w.c. [1.57KPa]	10" w.c. [2.61KPa]
OB72MVN	Natural Gas	Millivolt Adjustable	83,000Lo 120,000Hi	#19 [2ea]	1/16" Open	S.I.T. Nova 1/2"NPT	5.5" Min 7" Normal 10" Max	1.6" w.c. [0.40KPa]	3.5" w.c. [0.87KPa]
OB72MVP	Propane	Millivolt Adjustable	91,000Lo 115,000Hi	#43[2ea]	Fully Open	S.I.T. Nova 1/2"NPT	11" Min 11" Normal 13" Max	6.3" w.c. [1.57KPa]	10" w.c. [2.61KPa]

### IPI Valve Systems

Models	Fuel	Gas Control	Max / Min (Btu)	Orifice Size (0-4500ft)	Air Shutter Opening	Gas Inlet Size	Gas Supply Pressure (Inches w.c.)	Manifold Pressure Low	Manifold Pressure High
OB36IPN	Natural Gas	IPI Adjustable	39,000Lo 60,000Hi	#25	1/16" Open	S.I.T. Nova 3/8"NPT	5.5" Min 7" Normal 10" Max	1.6" w.c. [0.40KPa]	3.5" w.c. [0.87KPa]
OB36IPP	Propane	IPI Adjustable	48,000Lo 60,000Hi	#43	Fully Open	S.I.T. Nova 3/8"NPT	11" Min 11" Normal 13" Max	6.3" w.c. [1.57KPa]	10" w.c. [2.61KPa]
OB48IPN	Natural Gas	IPI Adjustable	54,000Lo 80,000Hi	#14	1/16" Open	S.I.T. Nova 3/8"NPT	5.5" Min 7" Normal 10" Max	1.6" w.c. [0.40KPa]	3.5" w.c. [0.87KPa]
OB48IPP	Propane	IPI Adjustable	61,000Lo 80,000Hi	#37	Fully Open	S.I.T. Nova 3/8"NPT	11" Min 11" Normal 13" Max	6.3" w.c. [1.57KPa]	10" w.c. [2.61KPa]
OB72IPN	Natural Gas	IPI Adjustable	117,000	#19 [2ea]	1/16" Open	S.I.T. IPI 1/2"NPT	5.5" Min 7" Normal 10" Max	1.6" w.c. [0.40KPa]	3.5" w.c. [0.87KPa]
OB72IPP	Propane	IPI Adjustable	115,000	#43[2ea]	Fully Open	S.I.T. IPI 1/2"NPT	11" Min 11" Normal 13" Max	6.3" w.c. [1.57KPa]	10" w.c. [2.61KPa]



## LP Cylinder Requirements

**NOTE:** Cylinders acceptable for use inside this appliance must be compatible with the retention means shown here.

The LP gas supply cylinder used with LP models must be constructed and marked in accordance with the specifications for LP-gas cylinders of the U.S. Department of Transportation (DOT) *Specifications for LP-Gas Cylinders, or the Standard for Cylinders, Spheres and Tubes for Transportation of Dangerous Goods and Commission, CAN/CSA-B339*, as applicable.

The LP gas supply cylinder used with LP models must be provided with a listed overfilling prevention device.

The pressure regulator and hose assembly supplied with LP models (PN# **27FP-900FF or 24OFS-P120**) must be used. Replacement pressure regulators and hose assemblies must be those specified in this manual.

Always check for gas leaks with a soap and water solution. **DO NOT USE OPEN FLAME FOR LEAK TESTING.**

When an LP model is not in use, the LP-gas must be turned off at the supply cylinder.

At altitudes above 4500ft appliances should be derated 4% every 1000ft. However, check with local gas supplier as fuel supply may already be adjusted.

Refer to **Burner System Maintenance** for proper pilot orientation.

Refer to **Burner System Maintenance** for pilot and main burner flame appearance.

Refer to **Gas Line Installation** for leak testing procedures.

Refer to **Gas Specifications** for manifold pressures.

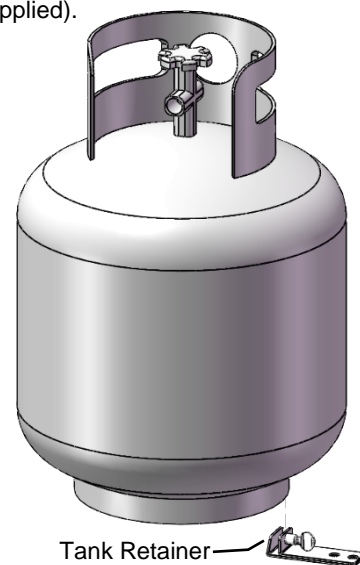
Refer to **Gas Specifications** for gas inlet pressures.

Refer to **Gas Specifications** for input rates.

Refer to **Lighting Instructions** for normal sequence of the ignition system.

### **TANK RETAINER - Included with LP Conversion Kits**

1. Connect foot ring of LP Tank to Tank Retainer with thumbscrew.
2. Fasten Tank retainer to mounting surface with lag screw.
3. Concrete anchor required for concrete surface (not supplied).



## - LP Conversion Kits -

Kit Number	Description	Pilot Orifice	Burner Orifice Brass (1000-255)	Air Shutter	Hi/Lo Regulator (if applicable)
24OB-CKLP	LP Conversion for OB24 - Millivolt-	1001-P150SI #23 (977.150)	#49	Fully Open	1001-P202si (0.907.202)
24OB-CKLP2	LP Conversion for OB24 -IPI-	PSE Pilot No Orifice	#49	Fully Open	1002-P012SI (907.012)
36OB-CKLP	LP Conversion For OB36 -Millivolt-	1001-P150SI #23 (977.150)	#43	Fully Open	1001-P202si (0.907.202)
36OB-CKLP2	LP Conversion For OB36 -IPI-	PSE Pilot No Orifice	#43	Fully Open	1002-P012SI (907.012)
48OB-CKLP	LP Conversion For OB48 -Millivolt-	1001-P150SI #23 (977.150)	#37	Fully Open	1001-P202si (0.907.202)
48OB-CKLP2	LP Conversion For OB48 -IPI-	PSE Pilot No Orifice	#37	Fully Open	1002-P012SI (907.012)
72OB-CKLP	LP Conversion For OB72 -Millivolt-	1001-P150SI #23 (977.150)	#43 [Qty 2]	Fully Open	1001-P202si (0.907.202)
72OB-CKLP2	LP Conversion For OB72 -IPI-	PSE Pilot No Orifice	#43 [Qty 2]	Fully Open	1002-P012SI (907.012)
96OB-CKLP	LP Conversion For OB96 -Millivolt-	1001-P150SI #23 (977.150)	#37 [Qty 2]	Fully Open	1001-P202si (0.907.202)

**All LP Conversion Kits include a Tank retainer. This Bracket is NOT USED on Outdoor Fire Tables.**

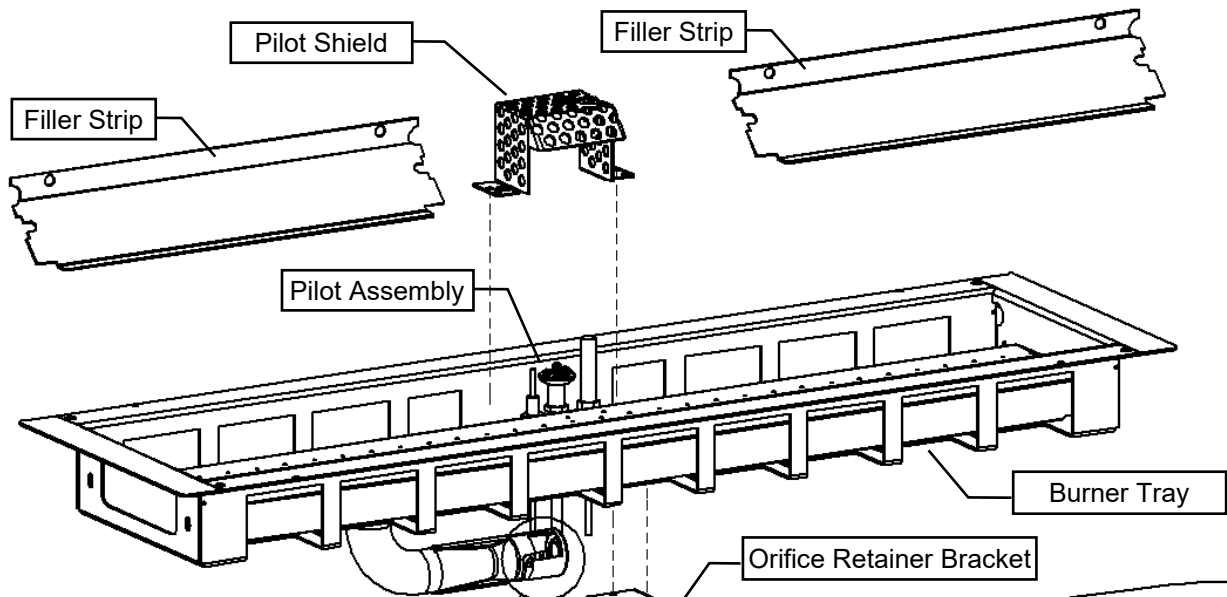
## Gas Conversion –PART A – MILLIVOLT & PROFLAME IPI SYSTEMS -

### **NOTE: CONVERSION SHOULD BE COMPLETED BEFORE BURNER IS INSTALLED.**

Caution- the gas supply shall be shut off prior to disconnecting the electrical power, before proceeding with the conversion.

#### TO CONVERT MILLIVOLT & Proflame IPI GAS SYSTEMS:

1. Remove [2] screws from Orifice Retainer Bracket.
2. Remove Burner Orifice from Air Shutter. Using a 1/2" wrench, disconnect Burner Orifice from brass fitting and replace with appropriate Burner Orifice.
3. Set Air Shutter Adjustment to **Fully Open for LP**, and **1/16"** for **NG**.
4. Re-insert new Burner Orifice into Air Shutter.
5. Re-attach Orifice Retainer Bracket to Burner Tray.
6. Remove Filler Strips and Pilot Shield to access Pilot Assembly.
7. Install new Pilot Orifice and Hi/Lo Valve Regulator by following instructions supplied with Conversion Kit (also see Parts B & C of Conversion Kit Instructions).



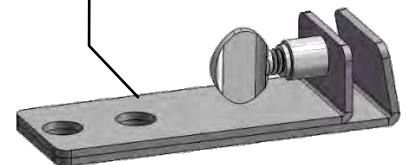
#### **Air Shutter Adjustment:**

- 1/16" for Natural Gas
- Fully Open for Propane

**WARNING:** Failure to position the parts in accordance with these diagrams or failure to use only parts specifically approved with this appliance may result in property damage or personal injury.

**TANK RETAINER**  
Included with all LP Conversion Kits  
**NOT USED ON FIRE TABLES.**

**Burner Orifice**  
See Chart for Size



### **WARNING**


This conversion kit shall be installed by a qualified service agency in accordance with the manufacturer's instructions and all applicable codes and requirements of the Authority Having jurisdiction. If the information on in these instructions is not followed exactly, a fire, explosion or production of carbon monoxide may result causing property damage, personal injury or loss of life.

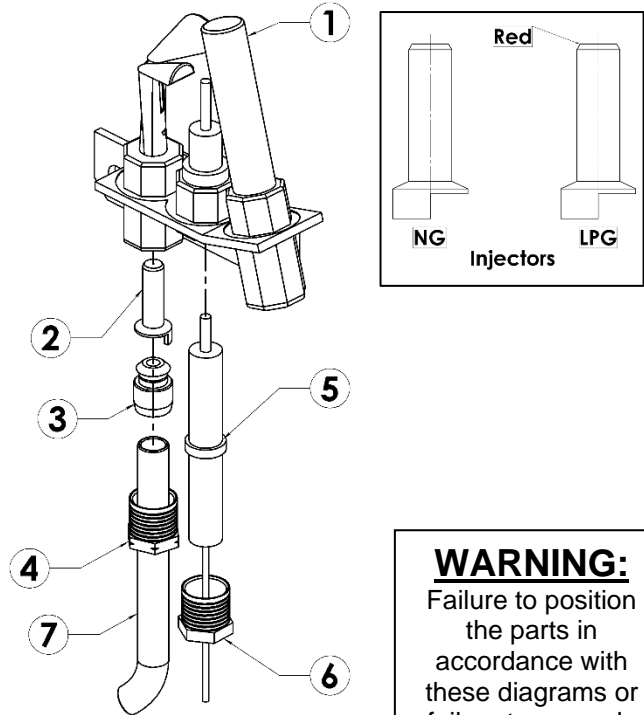
The qualified service agency is responsible for the proper installation of this kit. The installation is not proper and complete until the operation of the converted appliance is checked as specified in the manufacturer's instructions supplied with the kit.

## Gas Conversion – 1001-P503SI Pilot - Millivolt - Part B

### **Warning!**

This conversion kit shall be installed by a qualified service agency in accordance with the manufacturer's instructions and all applicable codes and requirements of the authority having jurisdiction. If the information in these instructions is not followed exactly, a fire, explosion, or production of carbon monoxide may result in causing property damage, personal injury or loss of life. The qualified service agency is responsible for the proper installation of this kit. The installation is not proper and complete until the operation of the converted appliance is checked as specified in the manufacturer's instructions supplied with the kit.

1. Shut off the gas supply to the appliance.
  2. Allow the pilot burner to cool to room temperature.
-  Warning:** Touching a hot pilot burner can result in injury.
3. Using a 10mm wrench, remove the pilot tube from the pilot burner assembly. The olive and injector can now be removed from the bottom of the pilot hood.
  4. Verify that the new injector is proper for the application. LPG injectors have a RED top surface, while NG injectors do not. Refer to the Parts List in this manual for the proper injector.
  5. Insert new injector into bottom of pilot hood. Replace olive and reconnect pilot tube.



ITEM NO.	PART NUMBER
1	Thermopile
2	Injector
3	Olive
4	Pilot Tube Nut
5	Spark Electrode
6	Electrode Nut
7	1/4" Pilot Tube

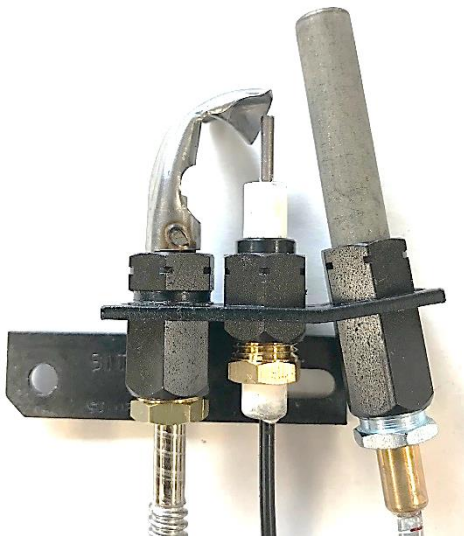
### **WARNING:**

Failure to position the parts in accordance with these diagrams or failure to use only parts specifically approved with this appliance may result in property damage or personal injury.

### - **Warning -**

This conversion kit must only be applied as part of a conversion kit supplied by the appliance Manufacturer for the specific appliance, and type of gas being converted.

**Installer Notice:** These instructions must be left with appliance.

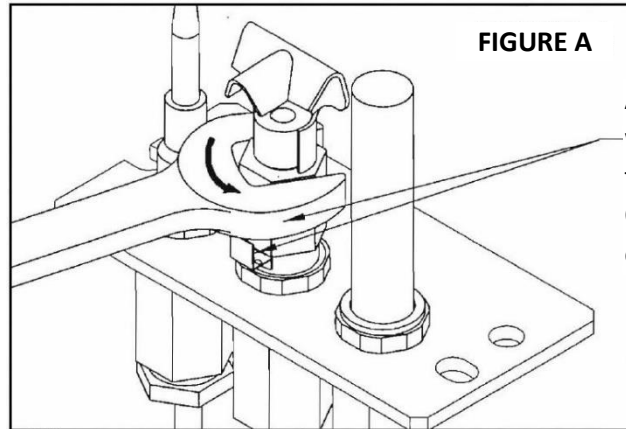


Part Number	Description
1 1000-P136WR	Thermopile
2 1001-P150si	Orifice Propane
1001-P132si	Orifice Natural Gas
3 1001-P025si	Olive
4 1001-P056si	Nut for Olive
5 1001-P069si	Igniter c/w wire
6 1001-P037si	Nut
7 26IDV-P324	Stainless Steel Gas Connector

# IPI Pilot - Gas Conversion Instructions Part B- for Convertible Orifice in Flat Plate Style Bracket Pilot ("C" Series) - 10 02-PSEC7524 Pilot

**NOTE:** it is not necessary to remove the pilot tube for gas conversion.

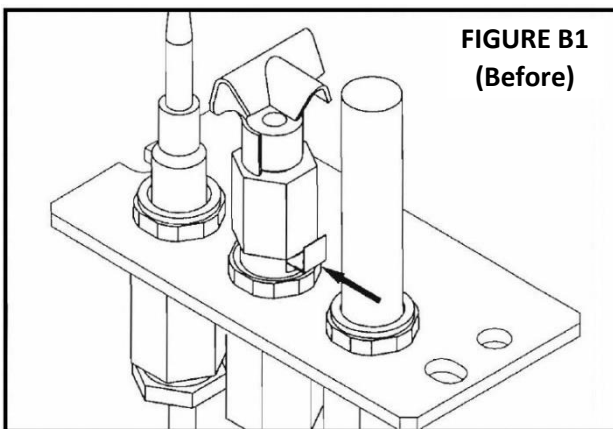
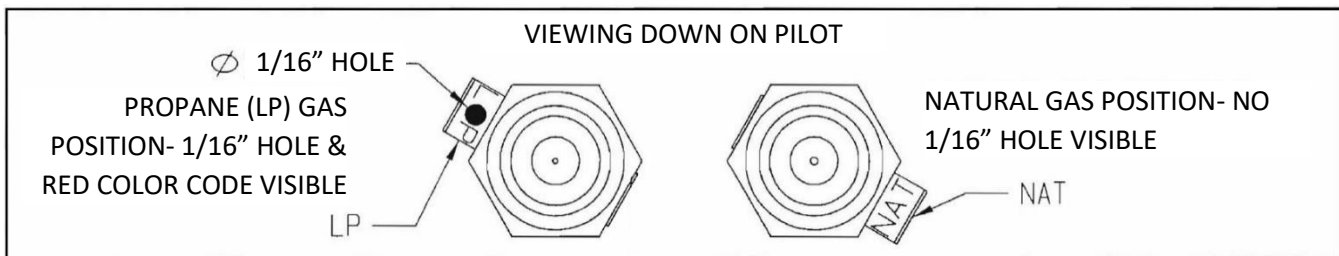
- 1) Loosen (CCW Rotation) the Pilot Target Hex Fitting 1/4 turn with a 7/16" end wrench as shown in **figure A**. Use caution to avoid bending Orifice Strip by improper placement of end wrench.
- 2) Push Orifice Strip Tab all the way against the hex fitting as shown in **figure B1 & B2**.



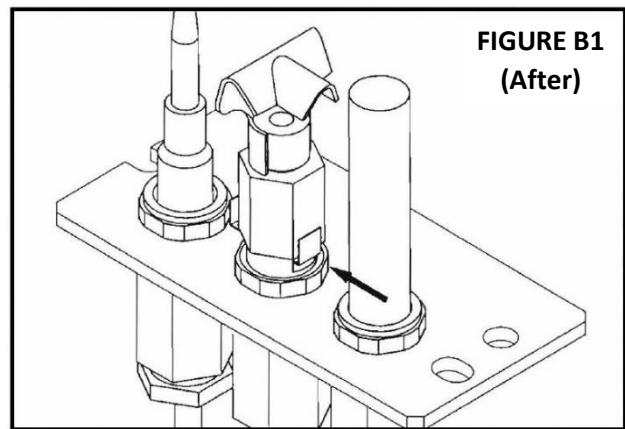
**FIGURE A**

Avoid contacting Orifice Strip with end wrench. Failure to do this can cause distortion of the Orifice Strip when loosening or tightening.

**NOTE:** Orifice Strip may be randomly located on any side of the Hex Fitting.

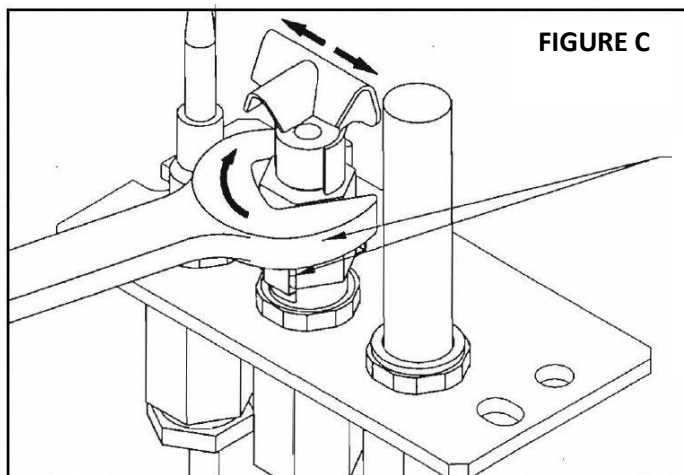


**FIGURE B1  
(Before)**



**FIGURE B1  
(After)**

- 3) Re-tighten the Pilot Target Hex Fitting until the Pilot Target aligns with the Thermocouple & Thermopile as shown in **figure C**. Use caution to avoid bending Orifice Strip by improper placement of end wrench.



**FIGURE C**

Avoid contacting Orifice Strip with end wrench. Failure to do this can cause distortion of the Orifice Strip when loosening or tightening.

- 4) Installation is complete.

7.252.136

# installation instructions

## 820 NOVA mV

### Modulating Conversion Kit

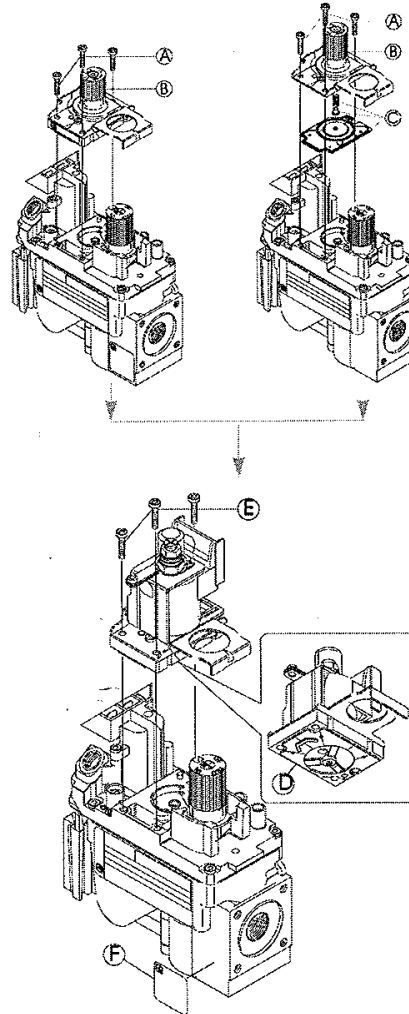


**WARNING!**

The installation of this conversion kit must only be undertaken by a qualified and certified gas appliance installer.

**MODULATING PRESSURE REGULATOR CONVERSION KIT INSTALLATION OR REPLACEMENT INSTRUCTIONS.**

- 1 Turn control knob to the OFF position, and shut off the gas supply to the valve.
- 2 Using a Torx T20, or slotted screwdriver, remove and discard the three pressure regulator mounting screws (A), pressure regulator tower (B), and the spring and diaphragm assembly (C).  
(If applicable)
- 3 Insure that the rubber gasket (D) is properly positioned and install the new modulating pressure regulator assembly to the valve using the new screws (E) supplied with the kit. Tighten screws securely.  
(Reference torque = 25 In.Lb.)
- 4 Install the enclosed identification label (F) to the valve body where it can be easily seen.
- 5 Apply gas to system and re-light appliance according to manufacturers instructions.
- 6 With the main burner "ON", test the new pressure regulator assembly for leaks using a soap solution.
- 7 Relight the main burner in both the HI and LO positions, and verify proper burner ignition and operation.



**WARNING!**

This modulating conversion kit must ONLY be applied as part of a conversion kit supplied by the APPLIANCE MANUFACTURER for the specific appliance, and type of gas, being converted.

**INSTALLER NOTICE.** These instructions must be left with appliance.



**SIT Group**

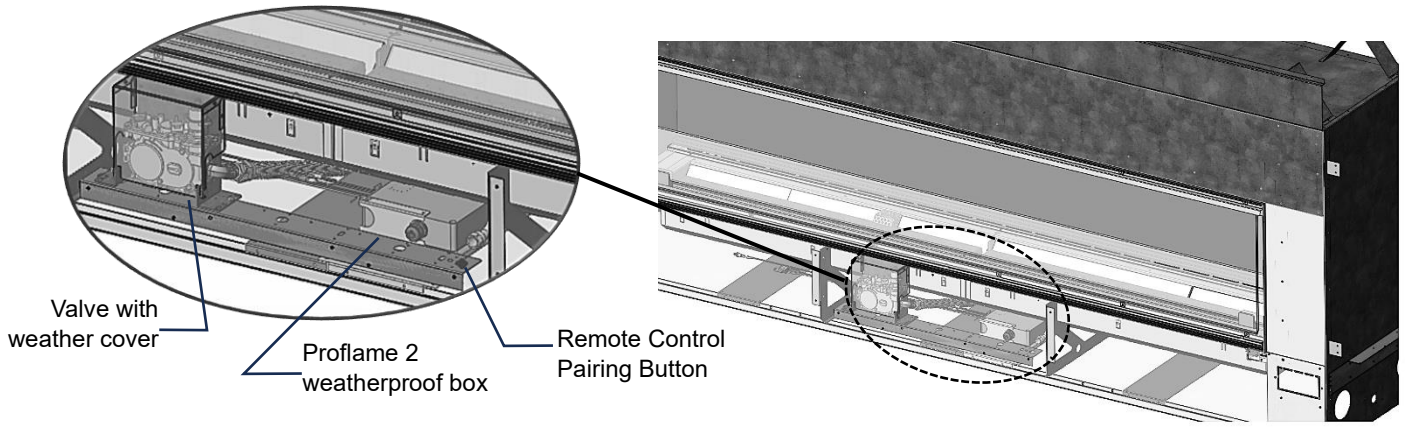
## Outdoor Burners - Troubleshooting the Gas Control System

NOTE: Before troubleshooting the gas control system, be sure external gas shut off is in the "ON" position.

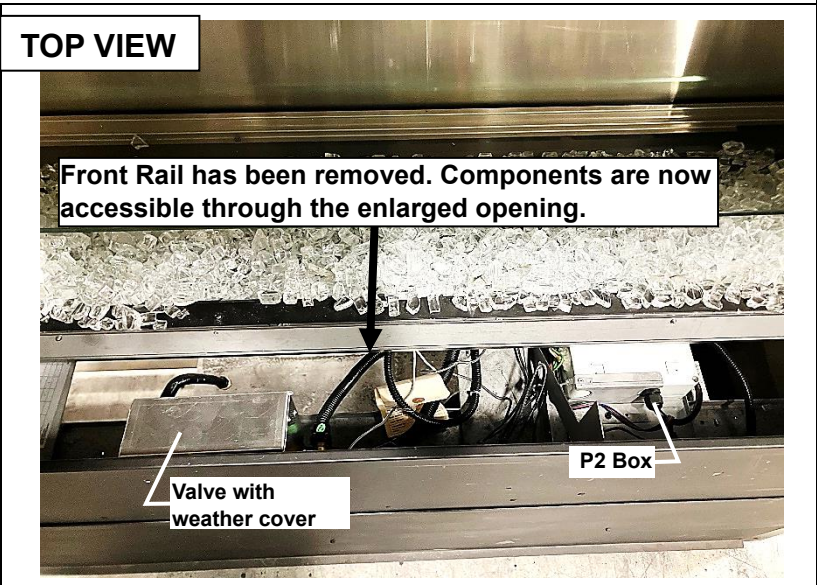
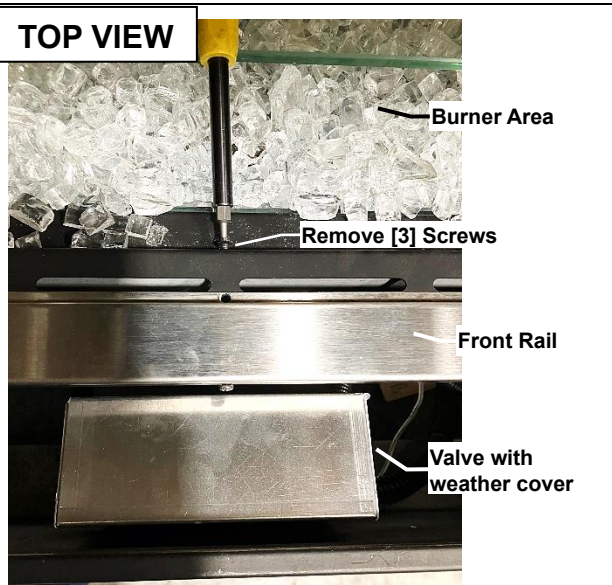
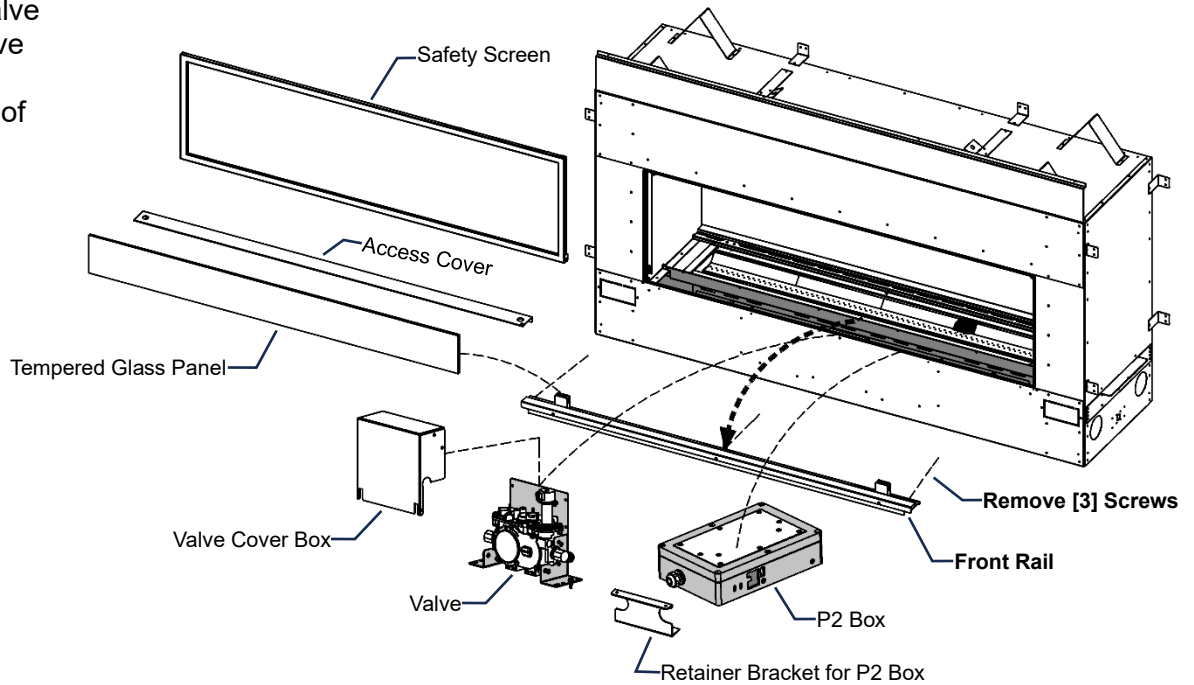
Problem	Possible Causes	Corrective Action
<b>Spark igniter will not light</b>	Defective or misaligned electrode at pilot.	Check for spark at electrode and pilot: if no spark and electrode wire is properly connected, replace igniter.
	Defective igniter (push-button)	Using a match, light pilot, If pilot lights, turn off pilot and push the red button again. If pilot will not light, check gap at electrode and pilot- gap should be 1/8" to 1/4" to have a strong spark.
<b>Pilot will not light</b>	Safety Switch is Depressed.	Clear any obstructions and make sure Lever Arm is not bent or damaged.
<b>Pilot will not stay lit after carefully following lighting instructions.</b>	Defective Valve Magnet	Turn valve knob "ON", place wall switch "ON". Millivolt meter should read greater than 100mv. If the reading is okay and the burner does not come on, replace the gas valve.
<b>Pilot burning, no gas to burner, Valve knob "ON", Wall Switch "ON"</b>	Wall Switch or wires defective	Check wall switch and wires for proper connections. Jumper wire across terminals at wall switch. If burner comes on, replace defective wall switch. If okay, jumper wire across wall switch wires at valve. If burner comes on, wires are faulty or connections are bad.
	Generator may not be generating sufficient voltage	Check generator with millivolt meter. Take reading at generator terminals of gas valve. Should read 325 millivolts minimum while holding valve knob depressed in pilot position and wall switch "OFF". Replace faulty generator if reading is below specified minimum.
	Plugged burner orifice	Check burner orifice for stoppage and remove.
	Defective automatic valve operator	Remove all switch wires from gas valve. Install jumper wires from TPTH and TH terminals of gas valve. Turn valve "ON". If main burner does not light, replace valve.
<b>Frequent Pilot outage problem</b>	Pilot flame may be too low or blowing (high) causing the pilot safety to drop out	Clean and/or adjust pilot flame for maximum flame impingement on generator.  Check gas pressure. Increase gas pressure or gas line size if necessary.
	Windy Conditions	-Move appliance to a less windy area if possible -Use when conditions are less windy -Install a wind guard
<b>Burners burn with yellow flame, accompanied by the smell of gas.</b>	Possible spider web or other debris.	Thoroughly clean burner venturi.

# Proflame 2 System – OFP4336 / 5548 / 7972 Access to Valve and P2 Box

**CAUTION:** Qualified installers only. Ensure power supply is shut off. Label all wires prior to disconnecting. Wiring errors can cause improper and dangerous operation.



To access the Valve or P2 Box, remove [3] screws from Front Rail inside of the Burner area.

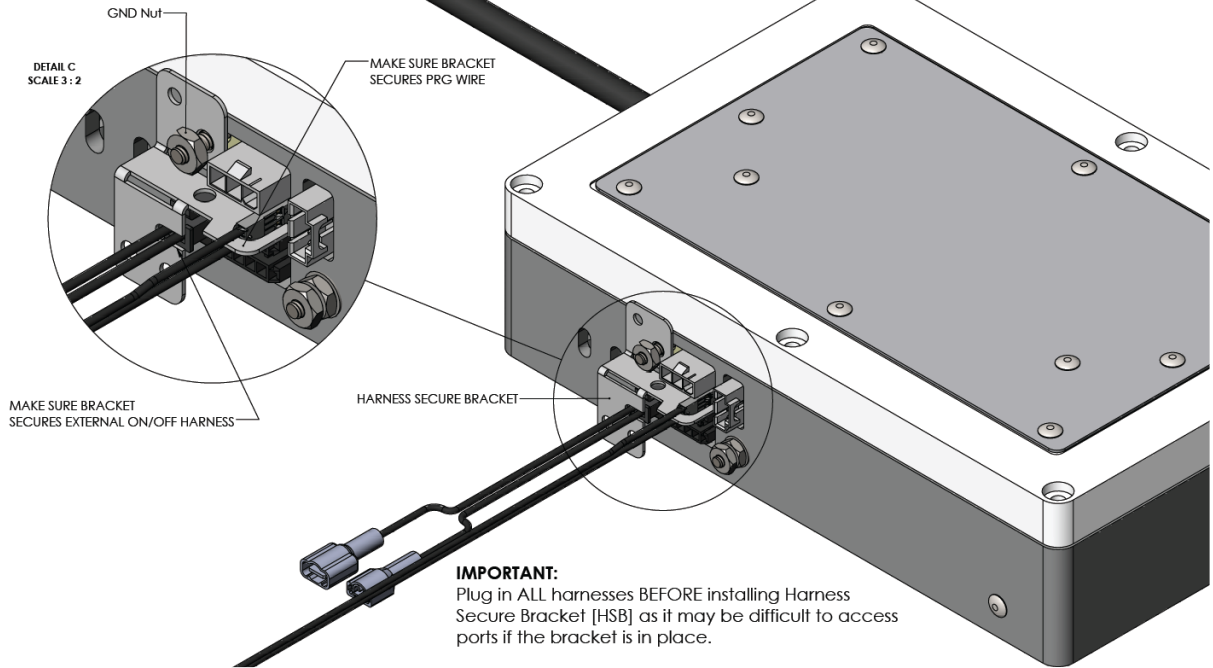


# Proflame 2 System –P2 Box Wiring Diagram

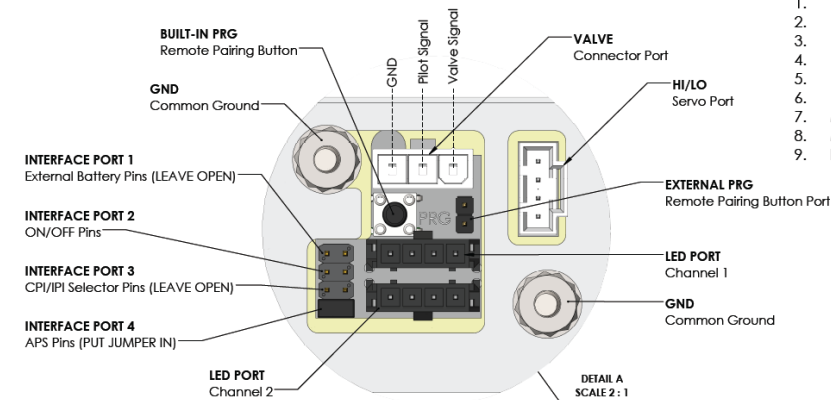


**CAUTION: Qualified installers only. Ensure power supply is shut off. Label all wires prior to disconnecting. Wiring errors can cause improper and dangerous operation.**

## HARNESS SECURE BRACKET



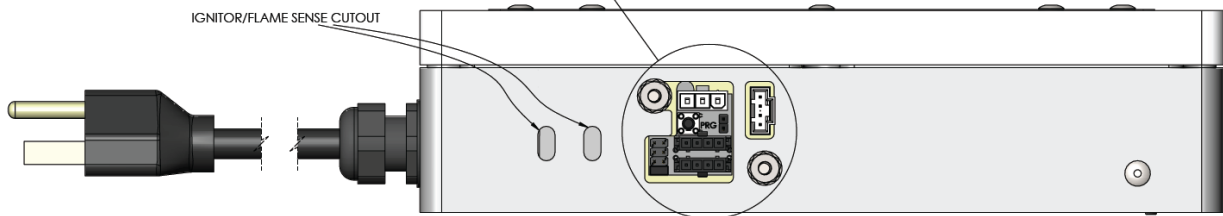
## PORT PINOUT



## OFF7972 P2 CONNECTIONS SUMMARY

1. Plug in VALVE harness.
2. Plug in HI/LO Servo harness.
3. Plug in LED 1 into LED PORT (doesn't matter which).
4. Plug in LED 2 into LED PORT (doesn't matter which).
5. Plug in External PRG Pushbutton to EXTERNAL PRG port.
6. Plug in External ON/OFF harness to INTERFACE PORT 2.
7. Make sure Interface Port 1 is open (i.e. NO JUMPER).
8. Make sure Interface Port 3 is open (i.e. NO JUMPER).
9. INTERFACE PORT 4 must have JUMPER.

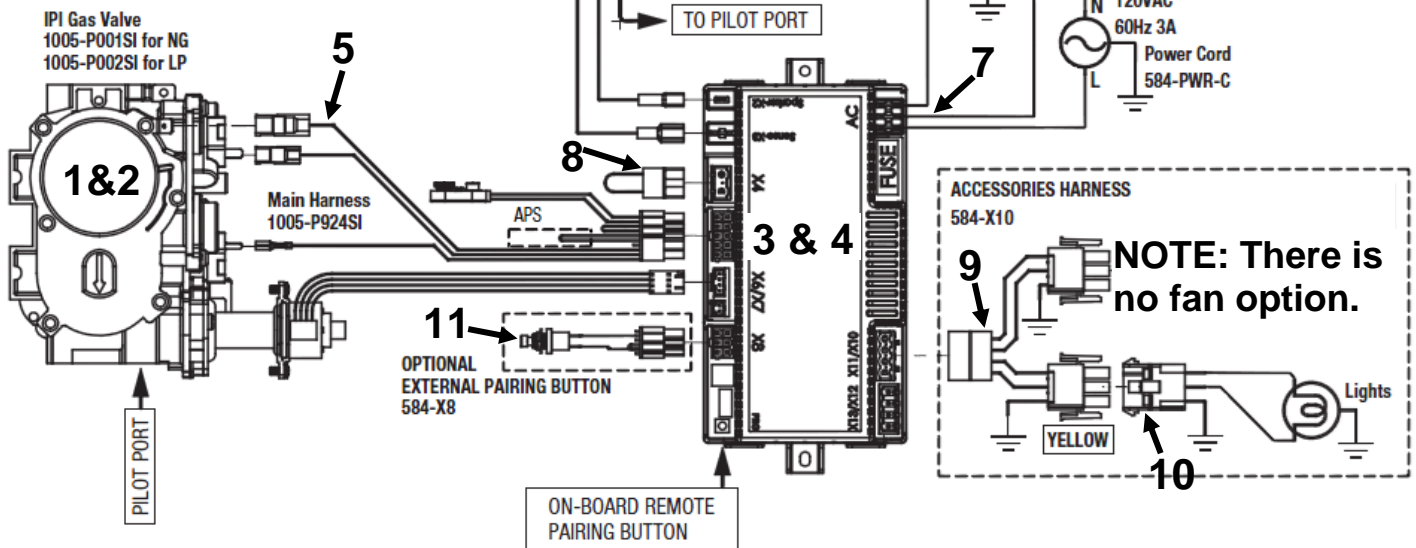
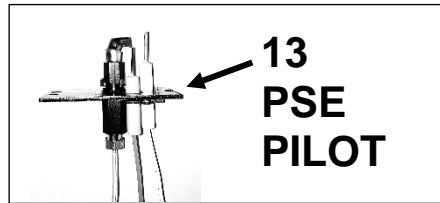
**JUMPER**  
Scale 1:1  
CAUTION: Handle carefully. It is very small and can get lost if dropped.





IPI PROFLAME 2 - COMPONENT PARTS		
	PART NO.	DESCRIPTION
1.	1005-P001SI	Valve IPI Proflame PF2 885.001 NG - Stepper
2.	1005-P002SI	Valve IPI Proflame PF2 885.002 LP - Stepper
3.	1005-P325SI	Module IPI - Proflame 2 - 584.325
4.	1005-P627SI	Module IPI - Proflame 2 - Basic - 584.627
5.	1005-P924SI	Harness PF2 - 584.924
6.	GTMFL	Transmitter- PF2 - 584.090 - WiFi Version
6b.	1005-P042SI	Transmitter- PF2 - 584.042 - Non-WiFi Version
6c.	1005-P080SI	Transmitter- PF2 - 584.080 - WiFi Version
<b>For Replacement Transmitters, Replace with Same Part Number</b>		
7.	584-PWR-C	Wire Harness PF2 – Power Cord
8.	584-X4P	Terminal Block
9.	584-X10	Wire Harness PF2
10.	584-ACC01-C	Wire Harness PF2 - Fan/Light
11.	584-X8-B	Wire Harness PF2 - Optional Reset Harness
12.	584-X12	Optional Power Vent Harness

IPI - PF1 AND PF2 COMMON COMPONENTS		
	PART NO.	DESCRIPTION
13.	1002-P0345PSE	Pilot Burner Convertible NG – 24"
14.	1001-P280SI	TC - Tubing W/Fittings 1/8 2.182.280
15.	1002-P012SI	IPI Stepper Kit - LP 907.012
16.	1002-P013SI	IPI Stepper Kit - NG 907.013
		<b>P2 CONVERSION</b>
17.	1002-P014SI	IPI Reg Kit - LP Hi-Lo 907.014
18.	1002-P016SI	IPI Reg Kit - NG Hi-Lo 907.016
		<b>P1 CONVERSION</b>
19.	1002-P017SI	TC - Electrode Cable & Sparker IPI 915.017 24"
20.	1002-P119SI	TC - Electrode Cable & Sparker IPI 35" (Infinite, ZCVRB47, VRB46)
21.	1002-P12BH	IPI Battery Housing- <b>Not available</b>
22.	1002-P903SI	TC - Electrode Flame Sense IPI 007.253/915.903 24"
23.	1002-P910SI	TC - Electrode Flame Sense 35" (Infinite, ZCVRB47, VRB46)



**⚠ WARNING: Electrical Grounding Instructions:**

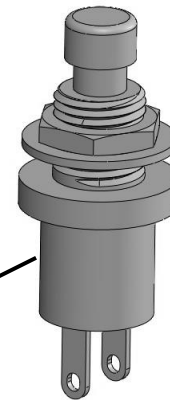
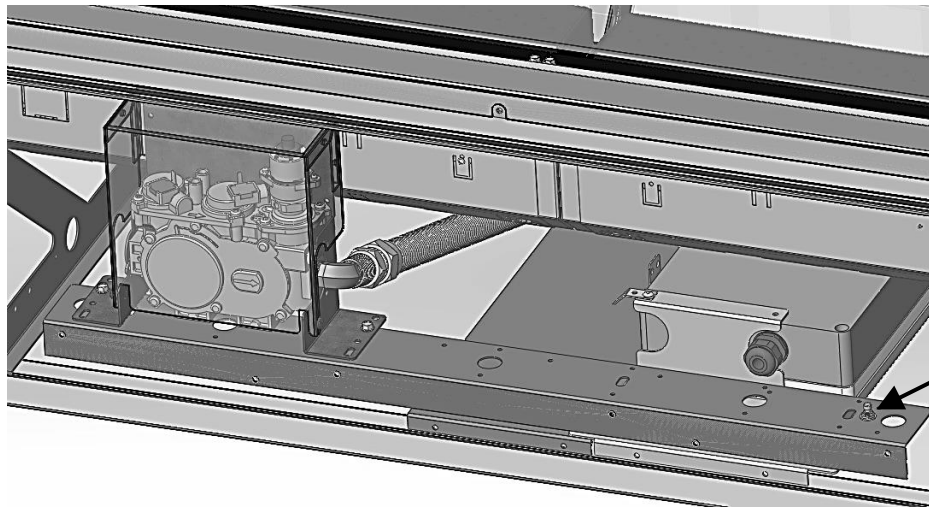
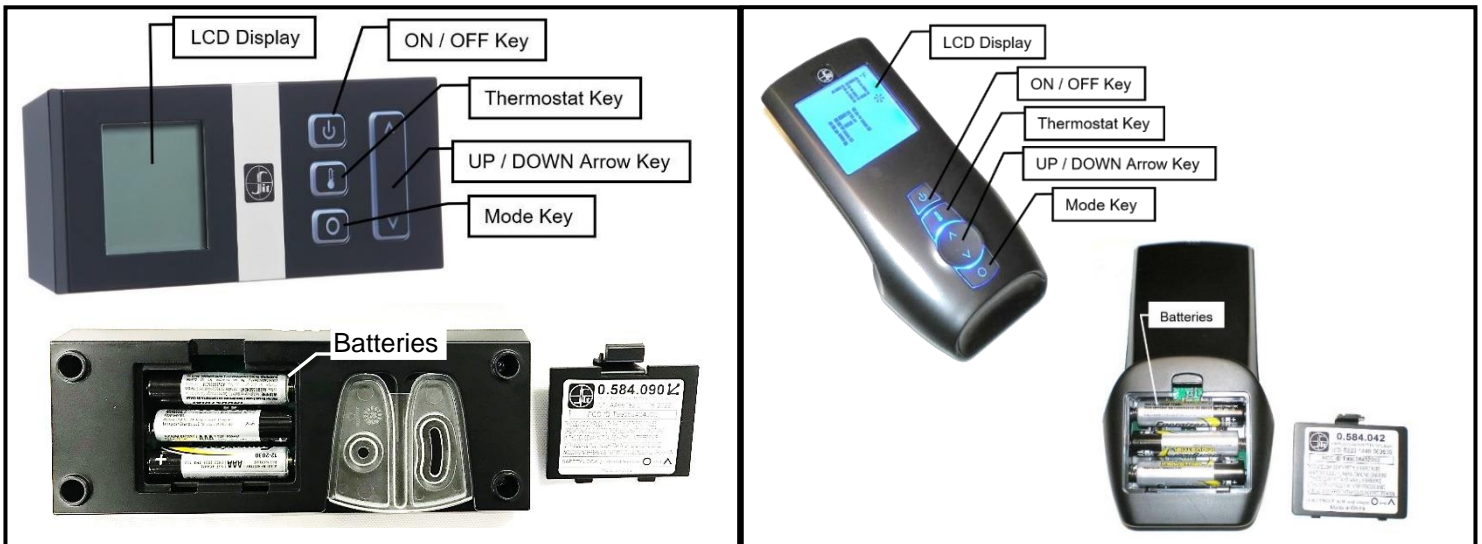
This appliance is equipped with a three prong (grounding) plug for your protection against shock hazard and should be plugged directly into a properly grounded three-prong receptacle. Do not cut or remove the grounding prong from this.

**The fireplace receptacle must be connected to an external GFI protected outlet installed near the fireplace.**

**Before Servicing:**

1. Ensure all power supply is shut off.
2. Label all wires prior to disconnecting when servicing control. Wiring errors can cause improper and dangerous operation.

## Proflame 2 IPI - IFC Module and Remote Control



**Remote Control  
Pairing Button**

### Pairing Remote Control:

- Install the 3 AAA type batteries in the battery bay, located on the base of the Remote Control. Note polarity of the batteries and insert them as indicated.
- Connect the AC power supply to the IFC Module.
- Press the SW1 button on the IFC Module so the IFC will “beep” and a red LED is illuminated to indicate that the IFC Module is ready to synchronize with a Remote Control within 10 seconds. With the batteries already installed in the Remote Control, push the ON button. The receiver will “beep” four times to indicate the Remote Control’s command is accepted.

The system is now initialized.

### Resetting Proflame 2 IFC Module for Manual Use

If the transmitter gets misplaced, is broken, or is no longer wanted the PF2 Module can be reset to a manual system. A manual on/off switch or thermostat may be installed at the X4 connector (this connection is Jumped at the factory) no power is required.

**Note: the fireplace accessories (fan, lights) will retain the last settings they had before being reset to manual mode.**

The following sequence must be followed to reset the PF2 Module:

- Press the Red **SW1** button until you hear three beeps.
- Within 10 seconds press the **SW1** button again until you hear it beep.
- The PF2 Module may now be turned on/off manually (x4 connector) by a switch (not supplied), the pilot will remain on CPI (continuous pilot ignition) mode, all other functions of main burner, fan and lights will be on the high setting.

### Low Battery Power Detection

When the Remote Control’s batteries are low, a Battery Icon will appear on the LCD display before all power is lost. When the batteries are replaced, this icon will disappear.

# LED Lighting – OFP Outdoor Fireplaces

Please follow the current ANSI/NFPA 70 National Electrical Code in the USA and CAN/CSA C22.1 Canadian National Electrical Code in Canada.

**NOTE:** If appliance is directly connected to an electrical supply, it must be anchored using anchor points provided in bottom of appliance. Use cord and wire restraints provided also.

## ⚠ WARNING

### Electrical Grounding Instructions

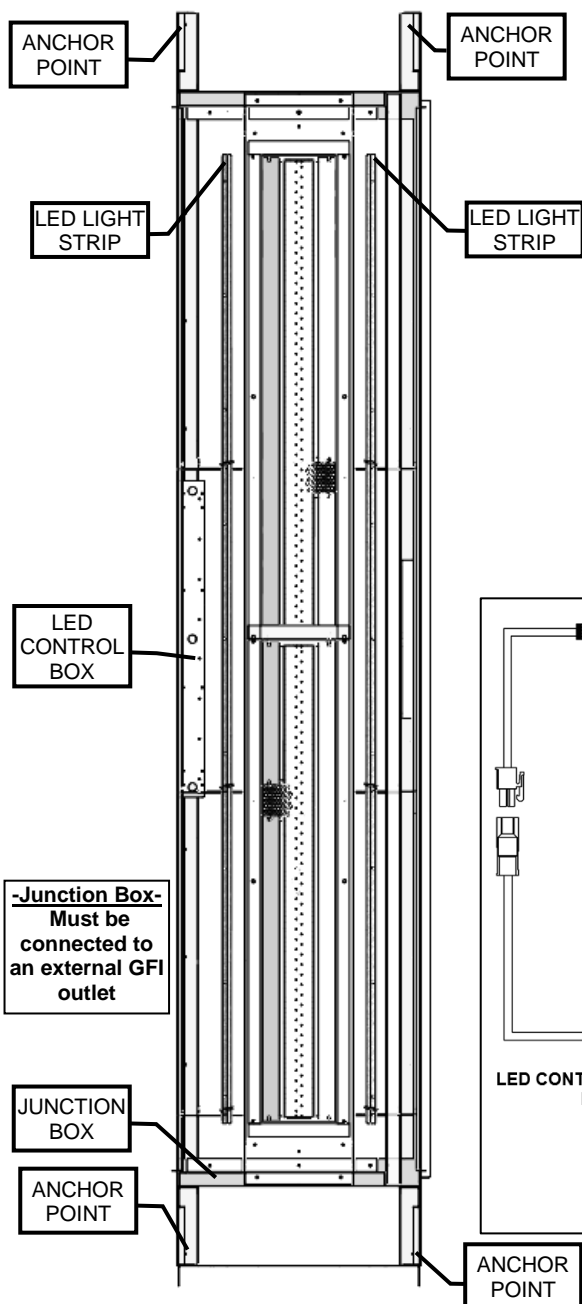
This appliance is equipped with a three prong (grounding) plug for your protection against shock hazard and should be plugged directly into a properly grounded three-prong receptacle. Do not cut or remove the grounding prong from this.

**The fireplace receptacle must be connected to an external GFI protected outlet installed near the fireplace.**

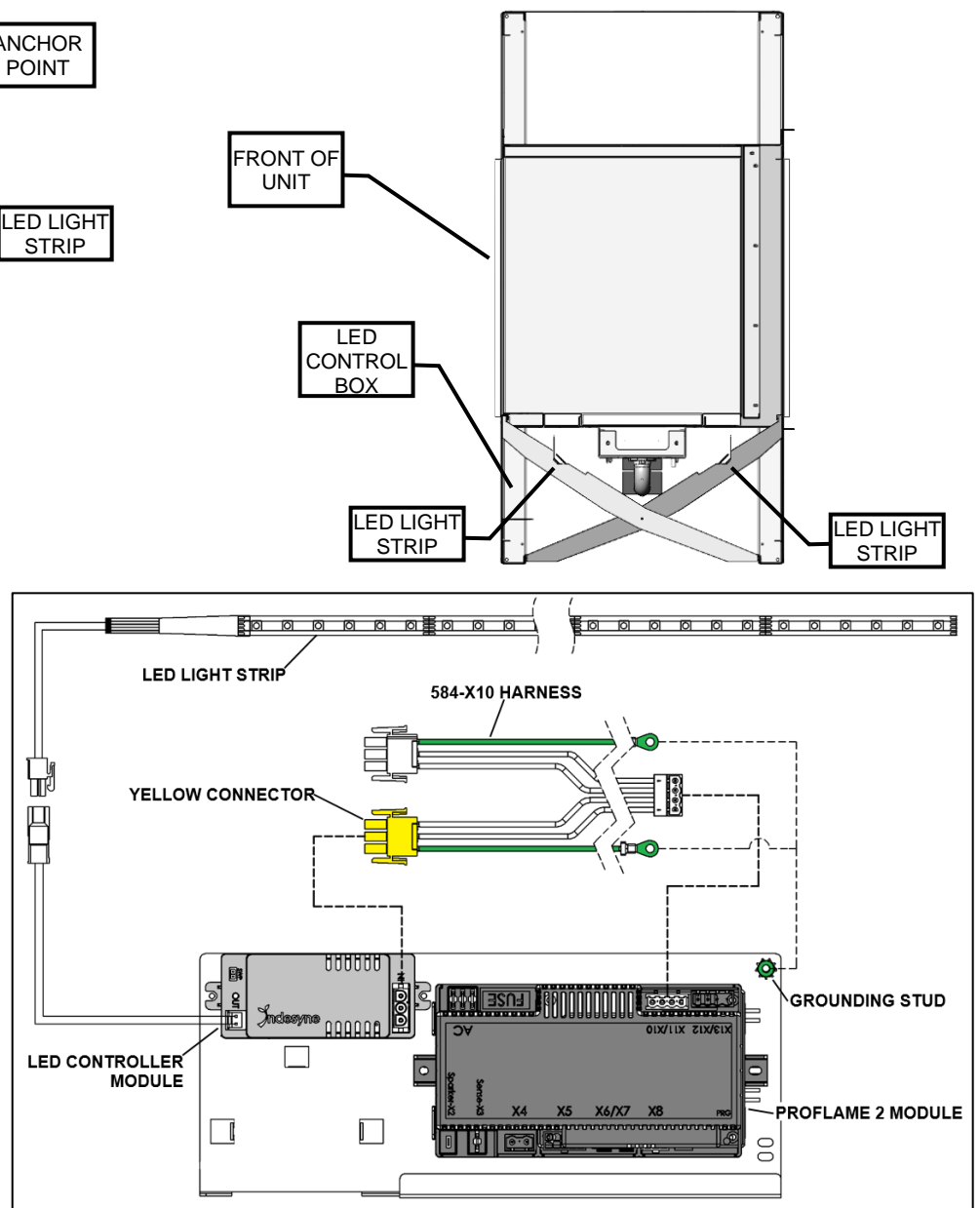
### Before Servicing

1. Ensure all power supply is shut off.
2. Label all wires prior to disconnecting when servicing control. Wiring errors can cause improper and dangerous operation.

**OFP - TOP VIEW**



**OFP – RIGHT SIDE VIEW**



For models equipped with Proflame 2 control system and multicoloured LED kit only.

**SUMMARY**

1. On remote, ensure appliance is switched ON and LIGHTS level is set to "HI".
2. Using the AUX controls on the Proflame 2 remote, toggle between "ON" and "OFF" to increment and cycle through various colour options.
3. To switch the LEDs OFF, cycle through to COLOUR MODE 0.



1. On the Proflame 2 remote, use the OPTION button [O] to select LIGHT controls. In the LIGHT controls, make sure the level is set to "HI".

2. On the Proflame 2 remote, use the OPTION button [O] to select AUX controls.

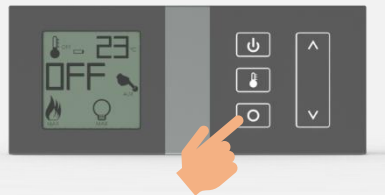
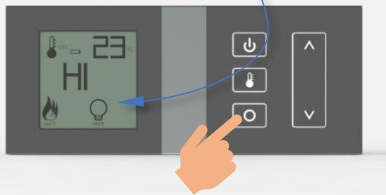
**IMPORTANT: To cycle through Colour Modes, make sure the Proflame 2 remote has the AUX controls selected.**

3. While inside AUX controls, use UP [^] and DOWN [v] buttons to cycle through to various colour modes.

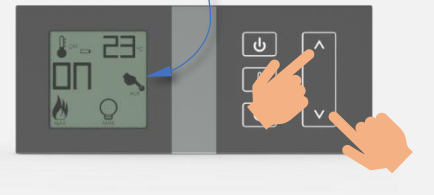
For example: Press the UP button [^] to get to Colour Mode 1. Then, press DOWN [v] to increment the selection to, Colour Mode 2. Pressing UP [^] again will increment to, Colour Mode 3. Repeat the toggling process between UP [^] and DOWN [v] until your desire Colour Mode has been selected.

Once Colour Mode 22 is reached, the system will restart back to Mode 0 on the next toggle.

LIGHT Controls Indicator



AUX Controls Indicator



**LED COLOUR MODES**

Mode 0	OFF	Mode 6	Dim Green	Mode 12	Dim Yellow	Mode 18	Dim Purple
Mode 1	Animated Mix	Mode 7*	Fading Green	Mode 13*	Fading Yellow	Mode 19*	Fading Purple
Mode 2	Red	Mode 8	Blue	Mode 14	Cyan	Mode 20	White
Mode 3	Dim Red	Mode 9	Dim Blue	Mode 15	Dim Cyan	Mode 21	Dim White
Mode 4*	Fading Red	Mode 10*	Fading Blue	Mode 16*	Fading Cyan	Mode 22*	Fading White
Mode 5	Green	Mode 11	Yellow	Mode 17	Purple		

\* Available on RGB System 2 only.



**TIPS**

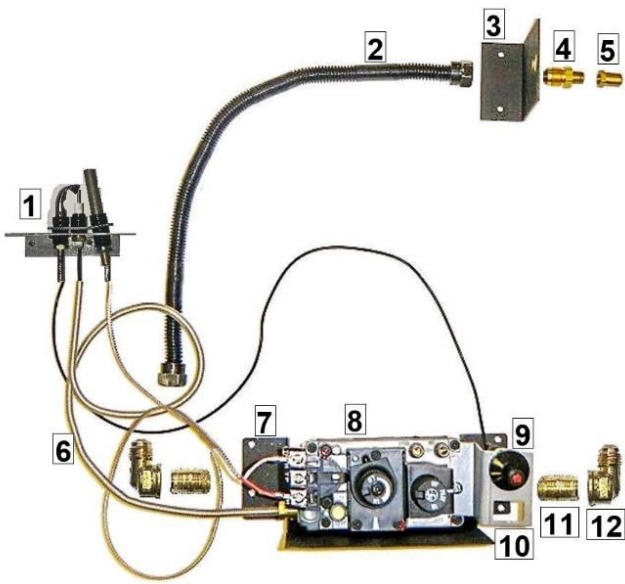
Appliances can operate lights without flames activated. To achieve this, simply use the OPTION [O] button to engage FLAME controls, and then repeatedly press the DOWN button [v] to set the flames OFF.



FLAME Controls Indicator

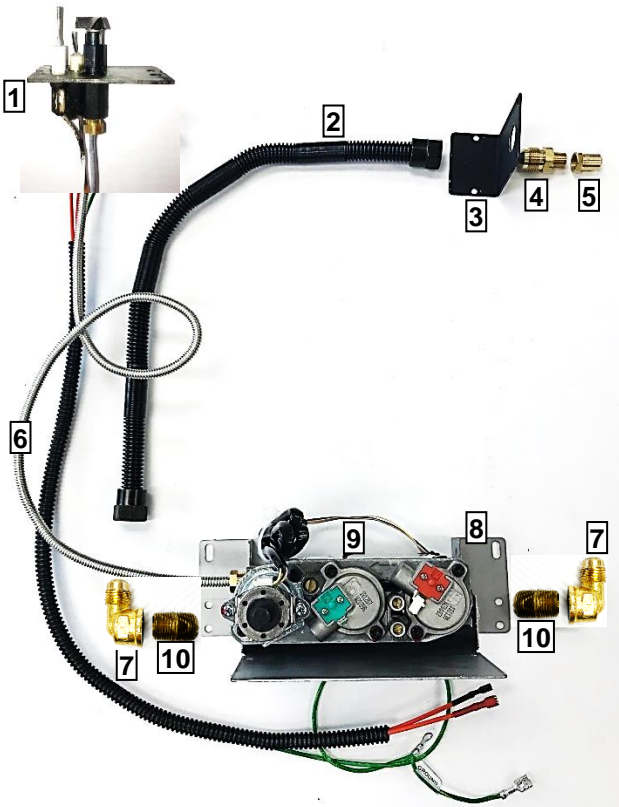
# Outdoor Fireplaces –Plumbing Parts- OB36 / 48

## OB36MVN / OB48MVN



Part	Description
1. 24OB-P503A	Pilot Assembly (c/w Mount Plate) (1001-P714SI – SIT Pilot- no longer used)
2. 42MCV-P16FF	3/8" Stainless Steel Flex Connector -16" Long
3. 24OB-102	Orifice Retainer Bracket
4. 27FP-P904FF	3/8" Tube OD x 1/8"MPT
5. 1000-255	Brass Orifice, NG or LP (Specify size). Refer to Chart in Manual
6. 26IDV-P324A	Pilot Tube with Fittings
7. 24OB-109	Valve Bracket
8. 1001-P640SI	Millivolt Valve NG –Hi/Lo
9. 1000-214	Piezo Igniter
10. 36HB-115	Piezo Bracket
11. 1001-P112C	3/8" Close Nipple- Brass (2 Required)
12. 1001-P506C	90° Elbow- 3/8" Tube O.D. x 3/8" Female Pipe

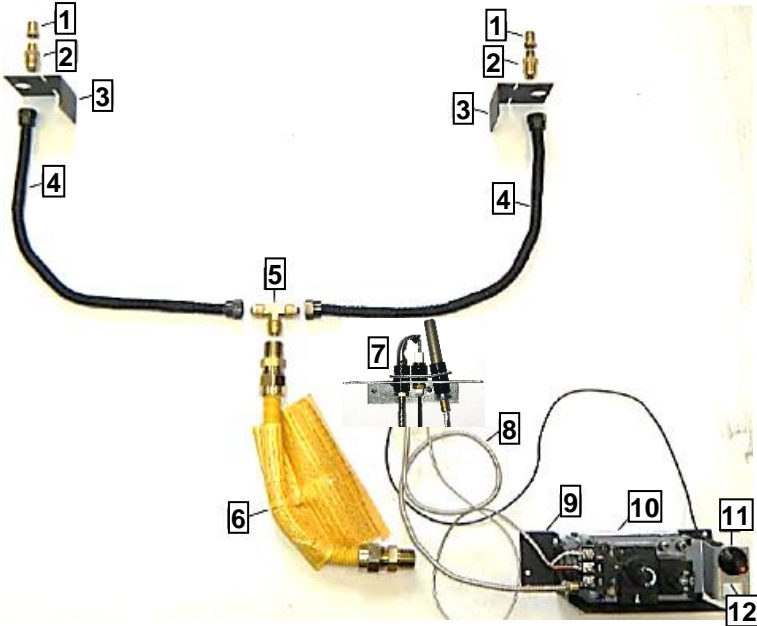
## OB24IPN / OB36IPN / OB48IPN



Part	Description
1. 1002-P0345PSE	Pilot Assembly (c/w Mount Plate) (1000-P166SI – SIT Pilot- no longer used)
2. 42MCV-P16FF	3/8" Stainless Steel Flex Connector -16" Long
3. 24OB-102	Orifice Retainer Bracket
4. 27FP-P904FF	3/8" Tube OD x 1/8"MPT
5. 1000-255	Brass Orifice, NG or LP (Specify size). Refer to Chart in Manual
6. 26IDV-P324A	Pilot Tube with Fittings
7. 1001-P506C	90° Elbow- 3/8" Tube O.D. x 3/8" Female Pipe
8. 24OB-109	Valve Bracket
9. 1005-P001SI	IPI Valve NG
10. 1001-P112C	3/8" Close Nipple- Brass

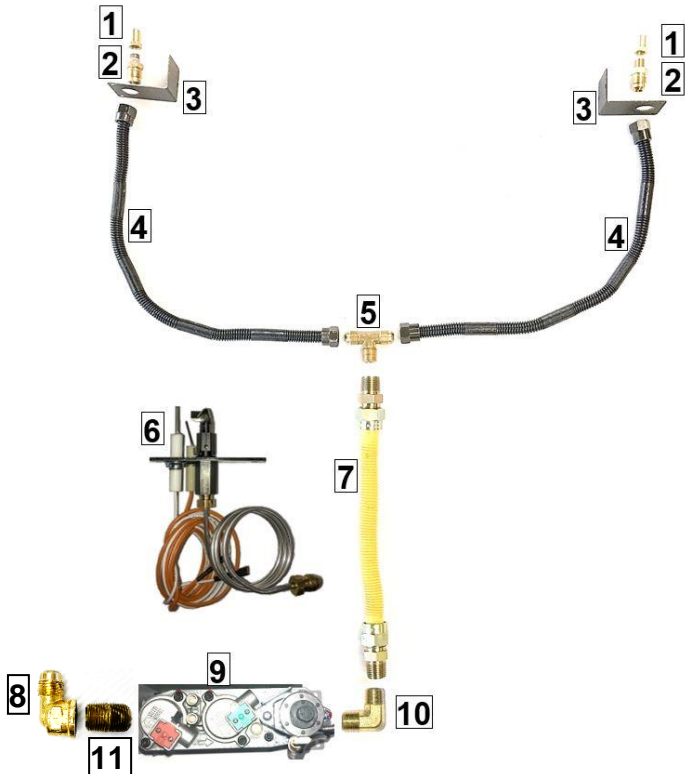
# Outdoor Fireplaces –Plumbing Parts- OB72

## OB72MVN



Part	Description
1. 1000-255	Brass Orifice, NG or LP (Specify size). Refer to Chart in Manual
2. 27FP-P904FF	3/8" Tube OD x 1/8"MPT
3. 24OB-102	Orifice Retainer Bracket
4. 42MCV-P16FF	3/8" Stainless Steel Flex Connector -16" Long
5. 24L-P456C	Brass Tee, 3/8" Tube OD x 3/8" MPT
6. 24L-P1212	1/2" Yellow Flex (c/w Connectors) – 12" Long
7. 24OB-P503A	Pilot Assembly (c/w Mount Plate) (1001-P714SI – SIT Pilot- no longer used)
8. 26IDV-P324	Pilot Tube with Fittings
9. 24OB-109	Valve Bracket
10. 1001-P658SI	Millivolt Valve NG, 1/2" Hi Output
11. 1000-214	Piezo Igniter
12. 36HB-115	Piezo Bracket

## OB72IPN



Part	Description
1. 1000-255	Brass Orifice, NG or LP (Specify size). Refer to Chart in Manual
2. 27FP-P904FF	3/8" Tube OD x 1/8"MPT
3. 24OB-102	Orifice Retainer Bracket
4. 42MCV-P16FF	3/8" Stainless Steel Flex Connector -16" Long
5. 24L-P456C	Brass Tee, 3/8" Tube OD x 3/8" MPT
6. 1002-P0345PSE	Pilot Assembly (c/w Mount Plate) (1000-P166SI – SIT Pilot- no longer used)
7. 24L-P1212	1/2" Yellow Flex – 12" Long
8. 1001-P506C	90° Elbow- 3/8" Tube O.D. x 3/8" Female Pipe
9. 1005-P001SI	IPI Valve NG
10. 24OB-P99C	3/8" NPT 90° Elbow
11. 1001-P112C	3/8" Close Nipple- Brass

## Outdoor Linear Fireplaces- Parts List

Listed for Canada and USA

NUMBER	DESCRIPTION
--------	-------------

### Outdoor Fireplaces

OFP4336S1	Outdoor Linear Fireplace - 36" Burner - Millivolt Natural Gas - Single Side
OFP4336S2	Outdoor Linear Fireplace - 36" Burner - Millivolt Natural Gas - See Through
OFP4336S1P2	Outdoor Linear Fireplace - 36" Burner - IPI Natural Gas – LED Lights – Remote Control - Single Side
OFP4336S2P2	Outdoor Linear Fireplace - 36" Burner - IPI Natural Gas – LED Lights – Remote Control - See Thru
OFP5548S1	Outdoor Linear Fireplace - 48" Burner - Millivolt Natural Gas - Single Side
OFP5548S2	Outdoor Linear Fireplace - 48" Burner - Millivolt Natural Gas - See Thru
OFP5548S1P2	Outdoor Linear Fireplace - 48" Burner - IPI Natural Gas – LED Lights – Remote Control - Single Side
OFP5548S2P2	Outdoor Linear Fireplace - 48" Burner - IPI Natural Gas – LED Lights – Remote Control - See Thru
OFP7972S1	Outdoor Linear Fireplace - 72" Burner - Millivolt Natural Gas - Single Side
OFP7972S2	Outdoor Linear Fireplace - 72" Burner - Millivolt Natural Gas - See Thru
OFP7972S1P2	Outdoor Linear Fireplace - 72" Burner - IPI Natural Gas – LED Lights – Remote Control - Single Side
OFP7972S2P2	Outdoor Linear Fireplace - 72" Burner - IPI Natural Gas - LED Lights – Remote Control - See Thru

### Replacement Burners c/w Valve

OB36MVN**	Linear Burner 36" - Millivolt Valve Natural Gas - 60,000 BTU
OB36IPN**	Linear Burner 36" - IPI Valve Natural Gas, LED Lights, Remote Control - 60,000 BTU
OB48MVN**	Linear Burner 48" - Millivolt Valve Natural Gas - 80,000 BTU
OB48IPN**	Linear Burner 48" - IPI Valve Natural Gas, LED Lights, Remote Control - 80,000 BTU
OB72MVN**	Linear Burner 72" - Millivolt Valve Natural Gas - 120,000 BTU
OB72IPN**	Linear Burner 72" - IPI Valve Natural Gas, LED Lights, Remote Control - 120,000 BTU

\*\*Millivolt and IPI valve systems are shipped as NG systems (MVN & IPN) and require a Conversion Kit for LP conversion.

### Conversion Kits

36OB-CKLP	LP Conversion Kit for OB36-MVN c/w #43 Burner Orifice, Pilot Orifice, Regulator
36OB-CKLP2	LP Conversion Kit for OB36-IPN c/w #43 Burner Orifice, Regulator
48OB-CKLP	LP Conversion Kit for OB48-MVN c/w #37 Burner Orifice, Pilot Orifice, Regulator

48OB-CKLP2	LP Conversion Kit for OB48-IPN c/w #37 Burner Orifice, Regulator
------------	--

72OB-CKLP	LP Conversion Kit for OB72-MVN c/w (Qty 2) #43 Burner Orifices, Pilot Orifice, Regulator
-----------	--

72OB-CKLP2	LP Conversion Kit for OB72-IPN c/w (Qty 2) #43 Burner Orifices, Regulator
------------	---

### Glass Media

**5 lbs. per Foot of Burner (i.e.: 24" burner = 10lbs)**

MQG5ZG	Glass Media - ZIRCON Glacier Ice - 5 lbs
MQG5A	Glass Media - 1/2" Cobalt Blue - 5 lbs
MQG5B	Glass Media - 1/2" Black - 5 lbs
MQG5C	Glass Media - 1/2" Bronze - 5 lbs
MQG5W	Glass Media - 1/2" White - 5lbs

### Rocks And Logs

MQRBD3	Drift Wood - Log Set - 5 pcs.
MQRBD4	Drift Wood - Log Set 3 pcs.
MQROCK2	Rock Set - Contemporary Collection - Natural
MQROCK3	Rock Set - Contemporary Collection - Multi-Colored
MQSTONE	Decorative Stones - 80 pc. Set
MQSTONE10	Decorative Stones - 10 pc. Set
RBCB1	Cannonballs - Assorted size and colors x 14

### Optional Accessories

OFP42SA	Spark Assist - (AA Battery not included) -Millivolt Units Only
OBUVM2	Universal Valve Bracket Mount (for Custom Applications)

### Burner Replacement Parts

36OB-100A	Replacement Burner– No Valve
48OB-100A	Replacement Burner– No Valve
36OB-FSK	Filler Strip Kit (3 Pcs.)
48OB-FSK	Filler Strip Kit (3 Pcs.)
72OB-FSK	Filler Strip Kit (6 Pcs.)
24OB-258	Pilot Shield

### Replacement Glass and Brackets

36G-101	Glass Panel- 5-1/2"H x 40-3/16"W
48G-101	Glass Panel- 5-1/2"H x 52-3/16"W
72G-101	Glass Panel- 5-1/2"H x 76-3/16"W
72G-P202	Glass Mount Bracket- c/w neoprene glass mount screws. For OFP series fireplaces.

**Optional Surrounds**

OFP43SS	Stainless Steel Surround for OFP54336S1 (1 required) or OFP4336S2 (2 required)
OFP55SS	Stainless Steel Surround for OFP5548S1 (1 required) or OFP5548S2 (2 required)
OFP79SS	Stainless Steel Surround for OFP7972S1 (1 required) or OFP7972S2 (2 required)

**Safety Screen Barriers**

OFP43SC	Safety Screen Barrier – OFP4336
OFP55SC	Safety Screen Barrier – OFP5548
OFP79SC	Safety Screen Barrier – OFP7972

**Optional Weather Covers**

OFP43WC	Stainless Steel Weather Cover for OFP54336S1 (1 required) or OFP4336S2 (2 required)
OFP55WC	Stainless Steel Weather Cover for OFP5548S1 (1 required) or OFP5548S2 (2 required)
OFP79WC	Stainless Steel Weather Cover for OFP7972S1 (1 required) or OFP7972S2 (2 required)

**Miscellaneous Items**

27FP-900FF	LP Regulator & 5ft Hose (I4T60GRQC)
24OFS-P120	LP Regulator & 10ft Hose (I6C120FS6GRQC)



# LIMITED WARRANTY



Save this certificate. It gives you specific legal rights, and you may also have other rights which may vary from one province or state to another.

In the event your unit needs servicing contact your dealer or contractor who installed or services your unit. When requesting service, please have the model and serial number from each unit readily available. If your dealer needs assistance, the distributor is available for support and we, in turn support the distributor's efforts.

Fill in the installation date and model and serial numbers of the unit in the space provided below and retain this limited warranty for your files.

## GENERAL TERMS

This limited warranty applies only while the unit remains at the site of the original installation and only if the unit is installed inside the continental United States, Alaska, Hawaii and Canada. The warranty applies only if the unit is installed and operated in accordance with the printed instructions and in compliance with applicable installation, building codes and good trade practices.

The burner is warranted against defects for five years. All other components such as gas valves, thermocouples, igniters, lights and media are warranted against defects for one year.

This limited warranty further does not cover any scratches, dents, painted finishes, corrosion or discoloring by heat, abrasive and chemical cleaners, nor chipping on porcelain powder coated parts.

During the first year after installation, we will provide a replacement for any component part of your unit found to be defective in materials or workmanship. The part to be replaced must be returned to our distributor in exchange for the replacement part.

In lieu of providing a replacement part, we may, at our option, provide the distributor's component purchase price from us or a credit equal to the distributor's component purchase price from us toward the purchase of any new unit which we distribute. If a credit is given in lieu of a replacement part, the rating plate from the unit being replaced must be submitted on a warranty claim and the unit being replaced must be made available to our distributor for disposition.

In establishing the date of installation for any purpose including determination of the starting date for the term of this limited warranty, reasonable proof of the original installation date must be presented\*, otherwise the effective date will be based upon the date of manufacture plus thirty (30) days.

Any labor, material, freight and/or handling charges associated with any repair or replacement pursuant to this limited warranty will be your responsibility. In this warranty the word "installation" means original installation.

We will not be responsible for and you the user will pay for: (a) damages caused by accident, abuse, negligence, misuse, riot, fire, flood, or Acts of God (b) damages caused by operating the unit where there is a corrosive atmosphere containing chlorine, fluorine, or any other damaging chemicals (other than in a normal residential environment) (c) damages caused by any unauthorized alteration or repair of the unit affecting its stability or performance (d) damages caused by improper matching or application of the unit or the unit's components (e) damages caused by failing to provide proper maintenance and service to the unit (f) any expenses incurred for erecting disconnecting or dismantling the unit (g) parts or supplies used in connection with service or maintenance (h) damage repairs, inoperation or inefficiency resulting from faulty installation or application (i) electricity or fuel costs or any increase in electricity or fuel cost whatsoever including additional or unusual use of supplemental electric heat.

We shall not be liable for any incidental, consequential, or special damages or expenses in connection with any use or failure of this unit. We have not made and do not make any representation or warranty of fitness for a particular use or purpose and there is no implied condition of fitness for a particular use or purpose. We make no express warranties except as stated in this limited warranty. No one is authorized to change this limited warranty or to create for us any other obligation or liability in connections with this unit. Any implied warranties shall last for one year after the original installation. Some states and provinces do not allow the exclusion or limitation of incidental or consequential damages or do not allow limitations on how long an implied Warranty or condition lasts so the above limitations or exclusions may not apply to you. The provisions of this limited warranty are in additions to and not a modification of or subtraction from any statutory warranties and other rights and remedies provided by law.

Model No.: \_\_\_\_\_ Serial No.: \_\_\_\_\_

Date Installed: \_\_\_\_\_

\*You must retain the original records that can establish the installation date of your unit.