

QUALITY FIREPLACES FOR LIFE.  
GAS INSERT

KOZY HEAT FIREPLACES | ROOSEVELT 29

KOZY HEAT  
FIREPLACES



Roosevelt 29 Birch Log shown with a Forged screen front in Vintage Bronze, and a Rustic Brick refractory.

# ROOSEVELT 29

TRADITIONAL LOG | BIRCH LOG | BEACH ACCENT KIT



Roosevelt 29 Traditional Log shown with a Prairie Screen Front in black, and a Black Glass panel refractory.



## THE ROOSEVELT 29

Old wood burning fireplaces are inefficient and can potentially pose a safety threat to your home, but it is tough to beat the tradition of sitting around a large open fireplace. The **Roosevelt** gas insert series offers a clean face, louverless look that maximizes the viewing area. When combined with our hand-crafted high definition logs and realistic flame, you'll soon forget that old drafty fireplace that you once had. With multiple design options available the **Roosevelt** can be customized to match any décor, and you'll feel good knowing that safety, efficiency, and quality were our top priorities in creating a fire just for your family!

# FIREPLACE OPTIONS & ACCESSORIES

## Fronts



**Rectangle Screen Front**  
with a Beach Accent Kit & Black Enamel refractory  
*Available in Black*



**Prairie Screen Front**  
with Traditional Logs & Black Glass refractory  
*Available in Black, Rust, Titanium*



**Arched Prairie Full Door**  
with Birch Logs & LedgeStone Refractory  
*Available in Black*



**Arched Mission Screen Front**  
with Traditional Logs & Chicago Brick refractory  
*Available in Vintage Bronze, Weathered Charcoal*



**Forged Screen Front**  
with Birch Logs & Rustic Brick refractory  
*Available in Vintage Bronze, Weathered Charcoal*

## Refractory Options



Rustic Brick



Chicago Brick



LedgeStone



Enamel Panel



Black Glass Panel

## Media & Refractory



Traditional Logs



Birch Logs



Beach Accent Kit

## IPI Control



Komfort Kontrol Remote



Traditional Logs



Birch Logs



Beach Accent Kit



# SPECIFICATIONS

Model	Roosevelt 29
Height	19-7/8"
Front Width	29-5/8"
Back Width	20-1/16"
Depth	16"
Weight	125 lbs
Viewing Area	25-1/8" x 15-1/2"
BTU NG High / Low	30,000 / 10,000
BTU LP High / Low	30,000 / 10,000
ENERGUIDE P.4 NG / LP	70.09% / 70.42%
STEADY STATE NG / LP	74.96% / 75.85%
AFUE% NG / LP	74.35% / 68.56%
Valve System	IPI
Media Options	Traditional Logs, Birch Logs & Beach Accent Kit
Refractory Options <i>(Required for Installation)</i>	Rustic Brick, Chicago Brick, LedgeStone, Enamel Panels, Black Glass Panels
Rear Split Flow Burner	Standard
Ember Bed Light Kit	Standard
Fan Kit	Standard
Screen Front	Required

Features, Options & Specifications are subject to change.

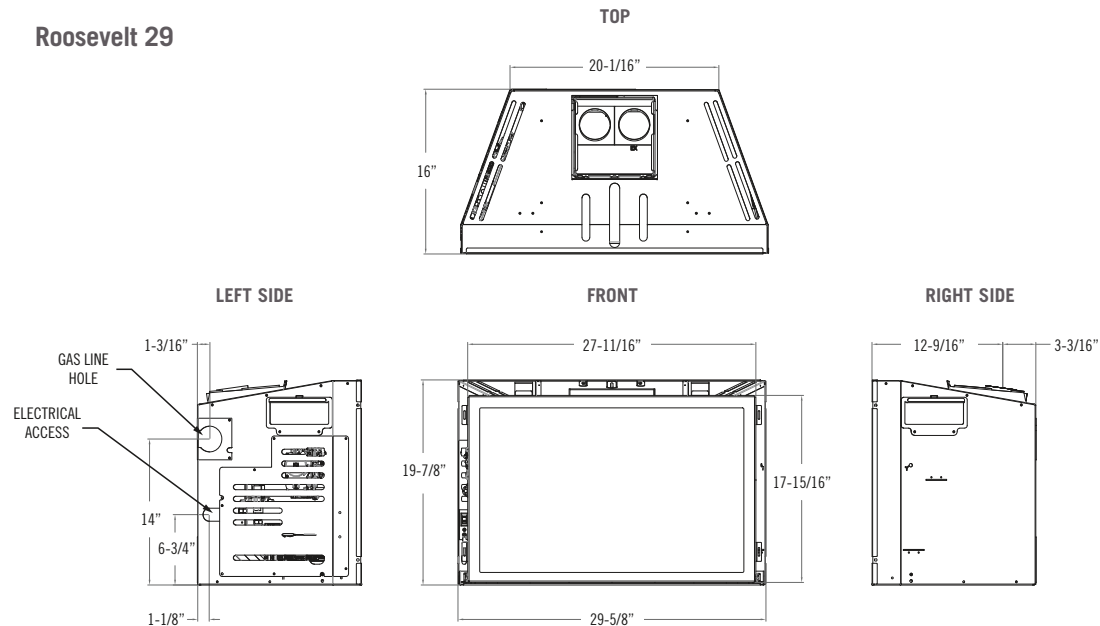
## Clearances

Model	Roosevelt 29
From insert to combustible	Refer to the Manual
From insert to combustible side wall	4"
Mantel 9" deep from top of insert	8-1/4"

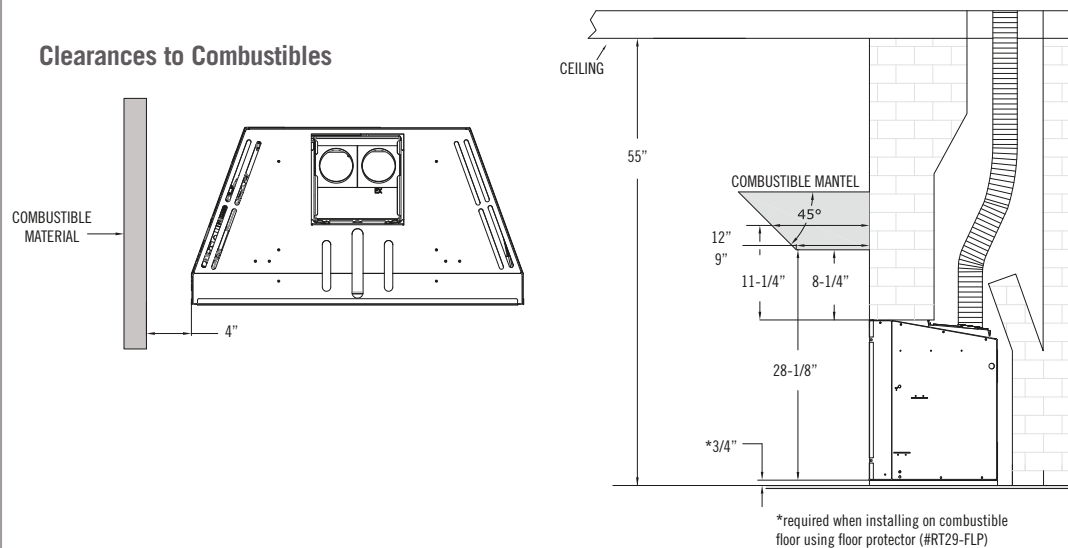
### Each unit factory tested

Refer to the installation manuals for complete installation & venting requirements. See additional mantel clearance configurations in the installation manual.

## Roosevelt 29



## Clearances to Combustibles



## Existing Fireplace Requirements

**Existing Fireplace Opening must be at least:**

- Height: 20"
- Front Width: 29-3/4"
- Depth: 16"
- Back Width: 20-3/8"

## Existing Chimney:

**Inside Diameter:**

- Factory built solid fuel chimney: 7" min
- Masonry Chimney: 6" x 8" min
- Minimum Chimney Height: 10'
- Maximum Chimney Height:
  - Natural Gas: 50'
  - Liquid Propane: 40'

## Vent System Approval & Requirements

- Kozy Heat #816 & #816- CAP
- BDM™
- American Metal™ Products (Ameri-Vent)
- Metal Fab™
- Selkirk Metalbestos™
- ICC™
- Simpson Dura-Vent™

## Shroud Dimensions

\*Shroud is Required for Installation

25" x 38"

27-1/2" x 42"

30" x 44"

\*Custom sizes available where applicable

In order to continually provide the highest quality product available, features/options, specifications & dimensions are subject to change. Refer to the unit installation manual for complete installation instructions. Installation must conform with local building codes. **In some regions it may be possible that this appliance qualifies for an energy rebate. See your local dealer for details regarding promotions and qualifications.**

Product Line:



**For complete information on the Kozy Heat product line, please contact us at:**

**FOR CALIFORNIA RESIDENTS ONLY**

**⚠ California Proposition 65 Warning**

**WARNING:** This product can expose you to chemicals including Carbon Monoxide, that is an externally vented by-product of fuel combustion, which is [are] known to the State of California to cause birth defects or other reproductive harm. For more information, visit [www.P65Warnings.ca.gov](http://www.P65Warnings.ca.gov).

Manufactured by Hussong Mfg. Co., Inc.  
204 Industrial Park Drive, Lakefield, MN 56150  
Phone 1-800-253-4904 [www.kozyheat.com](http://www.kozyheat.com)

9-18

