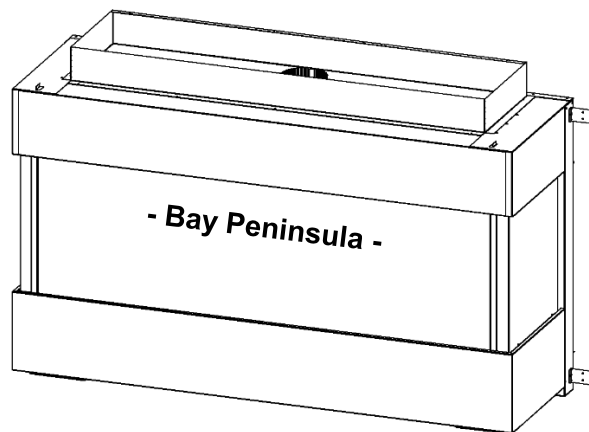
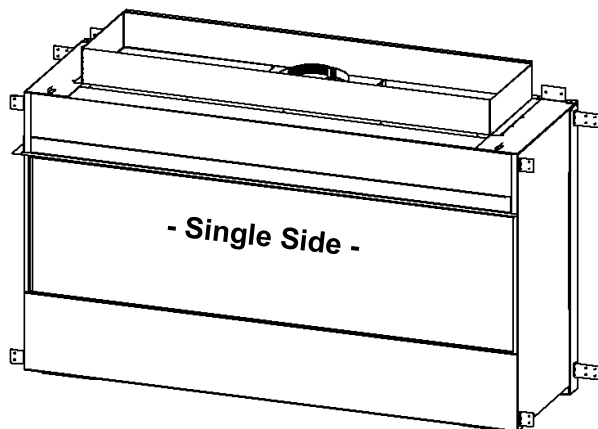


# Installation Instructions

Model Numbers: **Single Side Units:**  
MQVL48N, MQVL48NE, MQVL48NE2, MQVL48LP,  
MQVL48LPE, MQVL48LPE2

**Bay Peninsula Units:**  
MQVLB48N, MQVLB48NE, MQVLB48NE2,  
MQVLB48LP, MQVLB48LPE, MQVL48BLPE2

Certified to: ANSI Z21.88-2017/CSA 2.33-2017 and CSA2.17-2017  
VENTED GAS FIREPLACE HEATER



- Certified for use with *Adjustable Vented Platform (AVP)*, and *Heat Distribution System (HDS)* -

**⚠ WARNING:**  
**FIRE OR EXPLOSION HAZARD**

Failure to follow safety warnings exactly could result in serious injury, death, or property damage.

-Do not store or use gasoline or other flammable vapors and liquids in the vicinity of this or any other appliance.

**-WHAT TO DO IF YOU SMELL GAS**

- Do not try to light any appliance.
- Do not touch any electrical switch; do not use any phone in your building.
- Leave the building immediately.
- Immediately call your gas supplier from a neighbor's phone. Follow the gas supplier's instructions.
- If you cannot reach your gas supplier, call the fire department

-Installation and service must be performed by a qualified installer, service agency or the gas supplier.

**INSTALLER:** Leave this manual with the appliance.      **CONSUMER:** Retain this manual for future reference.

This appliance may be installed in an aftermarket, permanently located, manufactured home (USA only) or mobile home, where not prohibited by local codes.

This appliance is only for use with the type of gas indicated on the rating plate. This appliance is not convertible for use with other gases, unless a certified kit is used.

**IT IS THE RESPONSIBILITY OF THE HOME OWNER TO ENSURE THAT NO ONE TOUCHES A HOT APPLIANCE.**

- If the barrier becomes damaged, the barrier shall be replaced with the manufacturer's barrier for this appliance.
- Any safety screen, guard, or barrier removed for servicing the appliance, must be replaced prior to operating the appliance.
- Children and adults should be alerted to the hazards of the high surface temperatures of this appliance and should stay away to avoid burns or ignition of clothing.
- Do not clean when the glass is hot.
- Young children should be carefully supervised when they are in the same room as the appliance. Toddlers, young children and others may be susceptible to accidental contact burns.

- A physical barrier is recommended if there are at risk individuals in the house. To restrict access to a fireplace or stove, install an adjustable safety gate to keep toddlers, young children and other at risk individuals out of the room and away from hot surfaces.
- Do not leave the fireplace remote control where it is accessible to children.

**! DANGER**



**HOT GLASS WILL CAUSE BURNS.  
DO NOT TOUCH GLASS UNTIL COOLED.  
NEVER ALLOW CHILDREN TO TOUCH GLASS.**

A barrier designed to reduce the risk of burns from the hot viewing glass is provided with this appliance and shall be installed for the protection of children and other at-risk individuals.

If the barrier becomes damaged, the barrier shall be replaced with the manufacturer's barrier for this appliance.

**! WARNING:**

**A HORIZONTAL VENT CERTIFIED GUARD (SAFETY CAGE) IS AVAILABLE WHEN REQUIRED BY LOCAL CODES.**

**SAFETY CAGES ARE AVAILABLE FOR ALL HORIZONTAL VENT TERMINATIONS. CHECK WITH YOUR DEALER.**

- **TERMINATION CAP IS HOT!** Do not place flammable materials on or within 24 inches of termination caps.
- It is imperative that the vent termination be located observing the minimum clearances as shown in manual.
- There must not be any obstruction such as bushes, garden sheds, fences, decks or utility buildings within 24" from the front of the termination plate.
- Do not locate termination where excessive snow or ice build-up may occur. Be sure to check vent termination area after snow falls and clear to prevent accidental blockage of venting system. When using snow blowers, make sure snow is not directed towards vent termination area.
- Venting terminal shall not be recessed into a wall or siding.

## Warnings, Installations and Operations - Installation Regulations

This gas appliance must be installed by a qualified installer in accordance with local building codes, or in the absence of local codes, with the current CAN/CSA-B149.1 or .2 Installation Code (in Canada) or the current National Fuel Gas Code Z223.1- NFPA 54 when installed in the United States. This appliance, when installed, must be electrically connected and grounded in accordance with local codes, or in the absence of local codes, with the current CSA C22.1 Canadian Electrical Code or with the National Electrical Code; ANSI/NFPA 70 when installed in the United States. In the U.S.A. Thermostats are not permitted for Vented Gas Fireplaces (ANSI Z21.50b-Decorative).



**FOR SAFE INSTALLATION AND OPERATION OF YOUR GAS FIREPLACE PLEASE NOTE THE FOLLOWING:**

1. Do not clean when the glass is hot.
2. Do not use abrasive cleaners.
3. Using a substitute glass will void all product warranties.
4. For safe operation, glass doors must be closed.
5. When purging the gas line, the glass front must be removed.
6. Do not strike or abuse glass. Take care to avoid breakage.
7. Do not alter gas orifice.
8. No substitute materials may be used other than factory supplied components.
9. This appliance gives off high temperatures and should be located out of heavy traffic areas and away from furniture and draperies.
10. Children and adults should be alerted to the hazards of the high surface temperatures of this appliance and should stay away to avoid burns or ignition of clothing.
11. Young children should be carefully supervised when they are in the same room as the appliance. Toddlers, young children and others may be susceptible to accidental contact burns. A physical barrier is recommended if there are at risk individuals in the house. To restrict access to a fireplace or stove, install an adjustable safety gate to keep toddlers, young children and other at risk individuals out of the room and away from hot surfaces.
12. Under no circumstances should any solid fuels (wood, paper) be used in this appliance.
13. Under no circumstances should this appliance be modified. Any parts that have to be removed for servicing should be replaced prior to operating this appliance.
14. Any safety screen, guard, or barrier removed for servicing an appliance must be replaced prior to operating the appliance.
15. Installation and repair should be done by a qualified service person. The appliance should be inspected before use and at least annually by a professional service person. More frequent cleaning may be required due to excessive lint from carpeting, bedding material, et cetera. It is imperative that control compartments, burners and circulating air passageways of the appliance be kept clean. Make sure that the gas valve and pilot light are turned off before you attempt to clean this unit.
16. Clothing or other flammable material should not be placed on or near the appliance. This appliance should not be used as a drying rack for clothing nor should Christmas stockings or decorations be hung from it.
17. Do not use this heater if any part has been under water. Immediately call a qualified service technician to inspect the heater and to replace any part of the control system and any gas control which has been under water.
18. Do not operate appliance unless completely installed as per installation instructions.
19. Failure to position the parts in accordance with these diagrams or failure to use only parts specifically approved with this appliance may result in property damage or personal injury.
20. **WARNING: Do not operate appliance with the glass front removed, cracked or broken. Replacement of the glass should be done by a licensed or qualified service person.**
21. The appliance area must be kept clear and free from combustible materials, gasoline, and other flammable vapors and liquids.
22. The front of the fireplace gives off high temperatures that could ignite combustible material which is kept close to the front of the unit.
23. Ensure that power to the Fireplace is turned off before servicing.
24. Do not operate this Fireplace without the glass front or with a broken glass.
25. Improper installation, adjustment, alteration, service or maintenance can cause injury or property damage. Refer to the owner's information manual provided with this appliance. For assistance or additional information consult a qualified installer, service agency, or the gas supplier.
26. Operation of this appliance when not connected to a properly installed and maintained venting system or tampering with the blocked vent shutoff system can result in carbon monoxide (CO) poisoning and possible death.
27. This appliance is equipped with a three-prong (grounding) plug for your protection against shock hazard and should be plugged directly into a properly grounded three-prong receptacle. Do not cut or remove the grounding prong from this plug.
28. Gas fired appliances may be used only for supplemental heat and/or decorative purposes and under no circumstances shall they provide a primary heat source.
29. This appliance must not be connected to a chimney flue serving a separate solid-fuel burning appliance.

# MQVL48 / MQVLB48 Table of Contents

Warnings.....	2-3
Table of Contents.....	4-5
Installation Requirements for the Commonwealth of Massachusetts.....	6
Carbon Monoxide (CO) Detector.....	6
Pre-installation Questions and Answers.....	7
Operations and Maintenance Instructions.....	7
Mobile Home/Manufactured Housing Installation.....	8
<b>INSTALLATION &amp; FRAMING</b>	
Framing Your Gas Fireplace.....	9
Fireplace Installations in Covered Outdoor Locations.....	10
Marquis MQVL48 / MQVLB48 Units - Vented Chase Requirements.....	11
VL48AVP Optional Adjustable Vented Platform Base.....	12-13
Framing – Platform Base.....	14
VL48EG Grill Installation.....	15
VL48EGS Side Grill.....	16
VL48HDS Optional Heat Distribution System.....	17
Clearance to Combustibles.....	18
Mantel Clearances / Adjacent Wall.....	19
<b>MQVL48 Single Side</b>	
Locating Your Appliance.....	20
Fireplace Dimensions.....	20
Nailing Tab Guide.....	21
Single Side Framing.....	22
Using Tile Lip.....	23
Facing Requirements.....	23
VL48S1BL / VL48S1SS -Surround Installation for MQVL48.....	24
MQVL48SEP Side Extension Panels.....	25
<b>MQVLB48 Bay Peninsula</b>	
Locating Your Appliance .....	26
Fireplace Dimensions.....	26
Bay Peninsula Framing.....	27
Bay Peninsula Nailing Tabs and Framing.....	28
VLBCK48 Corner Kit.....	29-30
Using Tile Lip.....	31
Facing Requirements.....	31
<b>General Installation, Use, And Maintenance</b>	
Glass Door Front Removal / Installation.....	32
Glass Door Side Removal - MQVLB48 Peninsula Bay.....	32
Door and Glass Information.....	33
MQVL48 / MQVLB48 Glass Safety Barrier Installation / Removal.....	34
Component Locations.....	35
Halogen Lamps.....	36
LED Lighting.....	37
<b>Accessories and Options</b>	
VL48PLB / VL48PLE Porcelain Liner Installation.....	38
MQVL48RGB Glass Back Liner Installation.....	39-40
MQVL48RGE Glass End Panel Installation.....	41-42
MQVL48RLFB / MQVL48RLFE Fluted Liner Installation.....	43
MQ Glass.....	44
MQ46D Driftwood Log.....	44
MQROCK2, MQROCK3, MQRBD1.....	45

MQ STONE Decorative Stone Set.....	45
MQEMBER.....	45
MQRBD3 - 5 Pc. Driftwood Log Set.....	46
MQLOGF48D- 6 Pc. Driftwood Log Set.....	47
<b>Burner System</b>	
Gas Line Installation / Gas Specifications Chart.....	48
Millivolt System, Lighting, and Burner Control.....	49
Annual Inspection List for Determining Safe Operation of a Direct Vent Gas Fireplace.....	50
Troubleshooting the Gas Control System.....	51
Burner System Maintenance.....	52
Gas Conversion Part A.....	53
Gas Conversion for Top Convertible Pilot – Part B.....	54
Gas Conversion for Modulator – Part C.....	55
Burner Tube Removal.....	56
Burner System Removal and Installation.....	56
<b>Proflame 1</b>	
Overview / Components.....	57
Remote Control Operation.....	58
Proflame 1 Parts List.....	59
Configuration #2: Remote ON/OFF and Manual HI/LO Capabilities.....	60
Configuration #3: Remote ON/OFF, variable HI/LO, and Fan Capabilities.....	61
Operating the Receiver Without Batteries- Millivolt and Proflame 1.....	62
Electronic Ignition Lighting Instructions.....	63
<b>Proflame 2</b>	
Proflame 2 Parts List / Basic System / Configuration GTMFL.....	64
Proflame 2 Module and Remote Control.....	65
Cold Climates – CPI Setting - Proflame 2 Remote Control.....	66
Proflame 2 Remote Control Operation.....	67-68
Proflame 2 Label Diagram.....	69
<b>Venting</b>	
Vent Termination.....	70
General Vent Installation.....	71
Installation of Side Wall Venting.....	71
Venting Routes And Components.....	72
Horizontal Venting Table.....	72
Venting Straight Up Through Roof.....	73-74
Approved for Power Vent PVH58.....	75
<b>Parts Lists</b>	
PVH58 Parts List.....	76
Fireplace Models.....	77
MQVL48 / MQVL48B Parts List.....	78-79
<b>Warranty</b>	
Limited Lifetime Warranty.....	80

## Installation Requirements for the Commonwealth of Massachusetts

In the Commonwealth of Massachusetts, the installer or service agent shall be a plumber or gas fitter licensed by the Commonwealth.

When installed in the Commonwealth of Massachusetts or where applicable codes; the unit shall be installed with a CO detector per the requirements listed below.

1. For direct-vent appliances, mechanical-vent heating appliances or domestic hot water equipment, where the bottom of the vent terminal and the air intake is installed below four feet above grade the following requirements must be satisfied:
  - A. If there is not one already present, on each floor level where there are bedroom(s), a carbon monoxide detector and alarm shall be placed in the living area outside the bedroom(s). The carbon monoxide detector shall comply with NFPA 720.
  - B. A carbon monoxide detector shall be located in the room that houses the appliance or equipment and shall:
    - Be powered by the same electrical circuit as the appliance or equipment such that only one service switch services both the appliance and the carbon monoxide detector;
    - Have battery back-up power;
    - Meet ANSI./UL 2034 Standards and comply with NFPA 720; and
    - Have been approved and listed by a Nationally Recognized Testing Laboratory as recognized under 527 CMR.
  - C. A Product-approved vent terminal must be used, and if applicable, a Product-approved air intake must be used. Installation shall be in strict compliance with the manufacturer's instructions. A copy of the installation instructions shall remain with the appliance or equipment at the completion of the installation.
  - D. A metal or plastic identification plate shall be mounted at the exterior of the building, four feet directly above the location of vent terminal. The plate shall be of sufficient size to be easily read from a distance of eight feet away, and read "Gas Vent Directly Below".
2. For direct-vent appliances, mechanical-vent heating appliances or domestic hot water equipment where the bottom of the vent terminal and the air intake is installed above four feet above grade the following requirements must be satisfied:
  - A. If there is not one already present, on each floor level where there are bedroom(s), a carbon monoxide detector and alarm shall be placed in the living area outside the bedroom(s). The carbon monoxide detector shall comply with NFPA 720.
  - B. A carbon monoxide detector shall:
    - Be located in the room that houses the appliance or equipment;
    - Be either hard-wired or battery powered or both; and
    - Shall comply with NFPA 720.

A Product-approved vent terminal must be used, and if applicable, a Product-approved air intake must be used. Installation shall be in strict compliance with the manufacturer instructions. A copy of the installation instructions shall remain with the appliance or equipment at the completion of the installation.

For the state of Massachusetts a **T-handle gas shut-off valve** must be used on a gas appliance. This T-handle gas shut-off valve must be listed and approved by the state of Massachusetts. This is in reference to the state of Massachusetts state code CMR238.

## Carbon Monoxide (CO) Detector

NOTE: It is recommended that a Carbon Monoxide (CO) Detector be installed in or near bedrooms and on all levels of your home. Place a detector about 15ft [4.5m] outside the room that houses your gas appliance.

Certified for installation in a bedroom or bed/sitting room. In Canada must be installed with listed millivolt thermostat. In USA see local codes.

## Pre-installation Questions and Answers

### About curing of the paint

Your stove or fireplace has been painted with the highest quality silicone stove paint. This paint dries quickly in 15-20 minutes when first applied at the factory. However, due to the high temperature silicone components, the paint will cure when heat is applied to the appliance as it is first used. The following information applies to the curing process to get the paint fully hard and durable.

Fire the appliance four successive times for 10 minutes each firing and a 5 minute cool down between each. Be aware during log and firebox paint curing that a white deposit may be developing on the inside of the glass doors. It is important to remove this white deposit from the glass doors using a fireplace glass cleaner.

- Babies, small children, pregnant women and pets should leave the area during the cure phase.
- Ventilate well, open doors and windows.
- Do not touch during curing.

### Why does my fireplace or stove give off odour?

It is normal for your fireplace to give off some odor at first. This is due to the curing of the paint, adhesives, silicones and any undetected oil from the manufacturing process as well as the finishing materials used with the installations (e.g. marble, tile and the adhesives used to adhere this product to the walls can react with heat and cause odours).

It is recommended that you burn your gas fireplace or stove for a minimum of four hours at a time with the fan off (if a fan is present) after the curing of the paint has been completed. These odours can last upward to 40 hours of burn time; keep burning at a minimum of four hours per use until odours dissipate.

### Noise coming from the fireplace?

Noise is caused by the expansion and contraction of metal as the appliance heats up and cools down. This is normal and is similar to the sounds produced by a furnace or heating duct. This noise does not affect the operation or longevity of your fireplace.

It is also normal for the fan to make some noise when it comes on. This noise can be reduced somewhat by turning down the speed of the fan with the variable speed control. Be aware, however, that this will reduce the volume of heated air circulated into the room by the fan.

### Note to the Installer:

Be sure appliance is working properly and its operation (including remote control operation, if included) is fully explained to and understood by the customer.

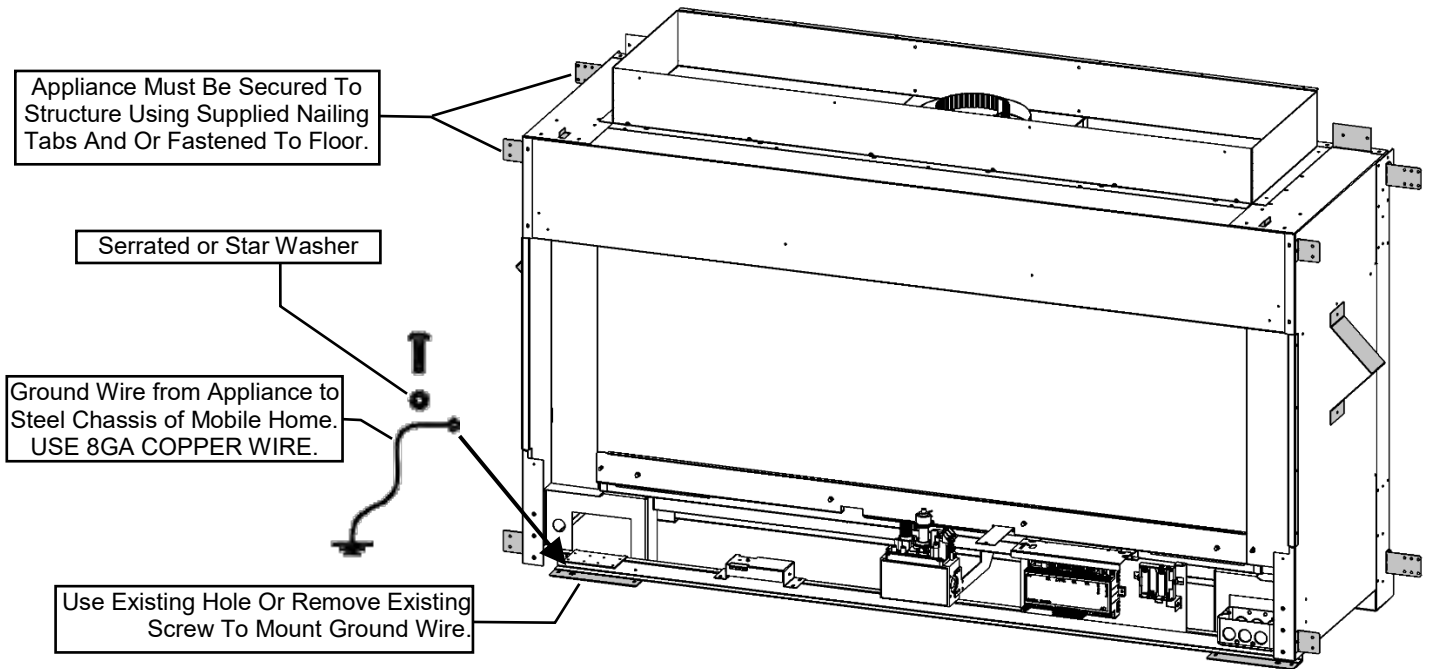
## Operations and Maintenance Instructions

For safe installation and operation note the following:

- Be sure to read and understand all the instructions in this manual before operation of appliance.
- Ensure all wiring is correct and properly enclosed to prevent possible shock.
- Check for gas leaks.
- Make sure the glass door is properly installed before operation. Never operate the appliance with the glass door removed.
- Make sure venting and termination cap are installed and unobstructed.
- If brick or porcelain liners are used, ensure they are installed.
- Verify that the pilot can be seen when lighting the appliance. If not, the log or rock placement is incorrect.
- If the unit is turned off, you must wait a minimum of 60 seconds before re-lighting it.
- Venting systems should be periodically examined by a qualified agency.
- The flow of combustion and ventilation air must not be obstructed.
- The Burner/Log Assembly has been engineered and permanently adjusted for proper flame control.
- Periodically remove the logs from the grate assembly and vacuum any loose particles from the grate and burner areas. See Log Placement page to remove logs. Vacuum burner parts and replace logs.
- Never use your gas fireplace as a cooking device.
- Label all wires prior to disconnection when servicing controls. Wiring errors can cause improper and dangerous operation. Verify proper operation after servicing.
- Areas in and around the Chase Vent Openings should be cleaned annually.

## Mobile Home/Manufactured Housing Installation

This Direct Vent System Appliance must be installed in accordance with the manufacturer's installation instructions and the Manufactured Home Construction and Safety Standard Title 24 CFR, Part 3280, or the current Standard for Fire Safety Criteria for Manufactured Home Installations, Sites, and Communities ANSI/NFPA 501A, and with CAN/CSA Z240 MH Mobile Home Standard in Canada.



THE VENTED GAS FIREPLACE HEATERS (ANSI Z21.88-2009) IN THIS MANUAL MAY BE INSTALLED IN MANUFACTURED (MOBILE) HOMES AFTER FIRST SALE IN THE USA.

THE VENTED GAS FIREPLACE HEATERS (ANSI Z21.88-2009) IN THIS MANUAL MAY BE INSTALLED IN MANUFACTURED (MOBILE) HOMES IN CANADA.

Please follow the current ANSI/NFPA 70 National Electrical Code in the USA and CAN/CSA C22.1 Canadian National Electrical Code in Canada.

An appliance must be grounded to the steel chassis of the home with 8 ga. copper wire using a serrated or star washer to penetrate paint or protective coating to insure grounding.  
Use carriage bolt at the attachment point (see diagram above) to secure the appliance to the floor.



**Warning:** Do not compromise the structural integrity of the manufactured home wall, floor or ceiling, during installation of appliance or venting.

**For required venting components see venting installation in appropriate section of this manual.**

Certified for installation in a bedroom or bed/sitting room. In Canada must be installed with listed millivolt thermostat. In USA see local codes.



This section is intended for qualified installers only. Before beginning, make note of where the gas and electrical accesses are located on the unit. This will streamline the construction process. Furthermore, familiarize yourself with the venting and clearance requirements (see Venting section) for this appliance. Failure to comply with those requirements can seriously compromise the safety and operation of the fireplace.

**Specifications**

1. Cold climate installation recommendation: When installing this fireplace against non-insulated exterior wall or chase, it is recommended that the outer walls be insulated to conform to applicable insulation codes. Drywall & vapor barrier must be installed over insulation to prevent contact of insulation and unit.
2. Choose fireplace location and frame in accordance with the fireplace framing dimensions specified (view diagrams).
3. Drywall or other combustible material can extend up to the Drywall Stops located on the sides of the unit, and up to the bottom and top.
4. A Hearth is not required for this unit.

**Vertical Venting in Cold Climates**

In cold climate conditions where temperatures go below -10 degrees Celsius or 14 degrees Fahrenheit, we recommend that the chase be insulated and where the vent pipe enters into the attic space that the pipe be wrapped with an insulated Mylar sleeve. This will increase the temperature of the vent and help the appliance to vent properly in cold weather conditions.

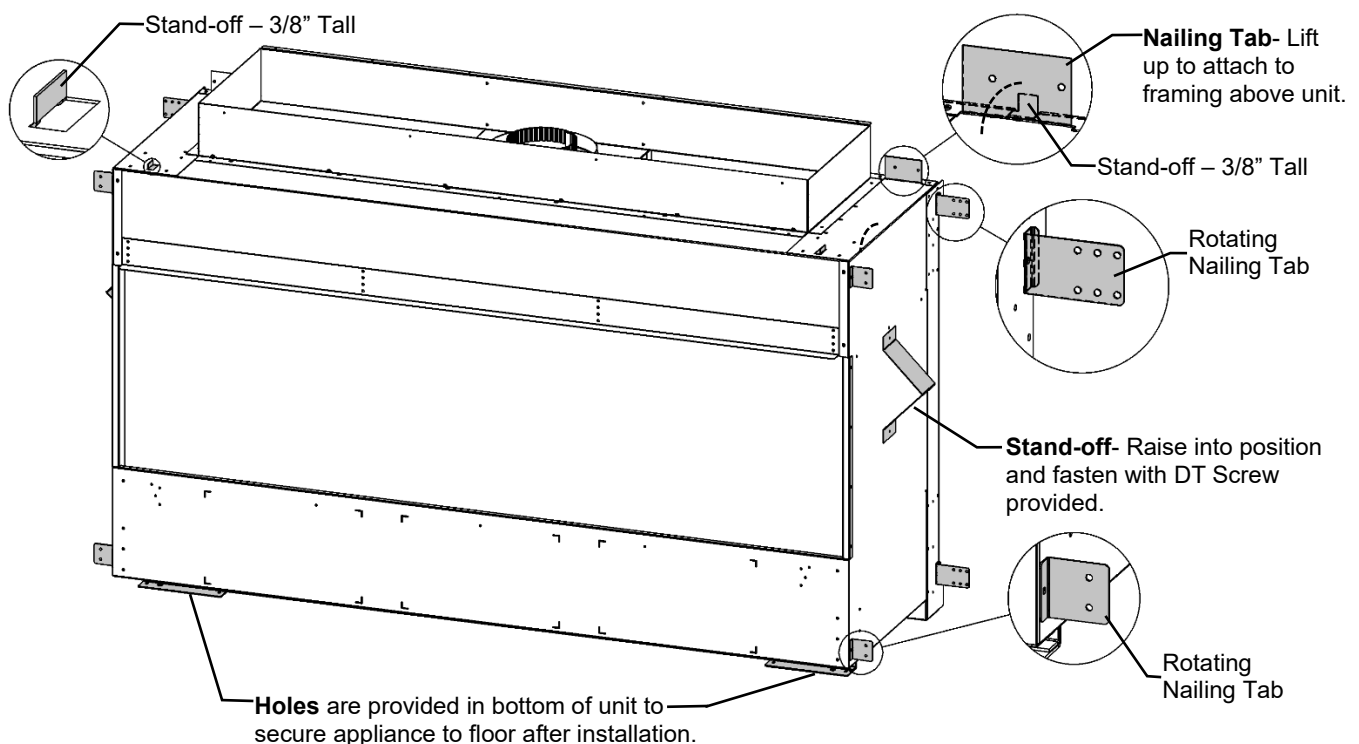
It is also important in vertical vented direct vent appliances that the appliance be operated daily during the winter months as this will help stop the termination from freezing up. We recommend using a thermostat (Not permitted for decorative vented gas fireplaces installed in the U.S.A.) set at room temperature to allow the unit to cycle.

For IPI models it may be necessary to set the appliance to Standing Pilot mode to maintain heat in the cavity. The purpose of this procedure is to prevent cold air from penetrating the chimney and then onto the living space. Therefore, when the internal temperature is slightly elevated the fireplace is able to freely exhaust its combustion and hence making it easier to startup.

Certified for installation in a bedroom or bed sitting room. In Canada must be installed with listed millivolt thermostat (Not permitted for decorative vented gas fireplaces installed in the U.S.A.). In USA see local codes.

**Stand-off and Nailing Tab Locations**

Make note of where the stand-off locations are. These stand-offs are provided as indicators to illustrate the boundaries for framing. Therefore, no framing material is permitted to extend beyond these stand-offs.

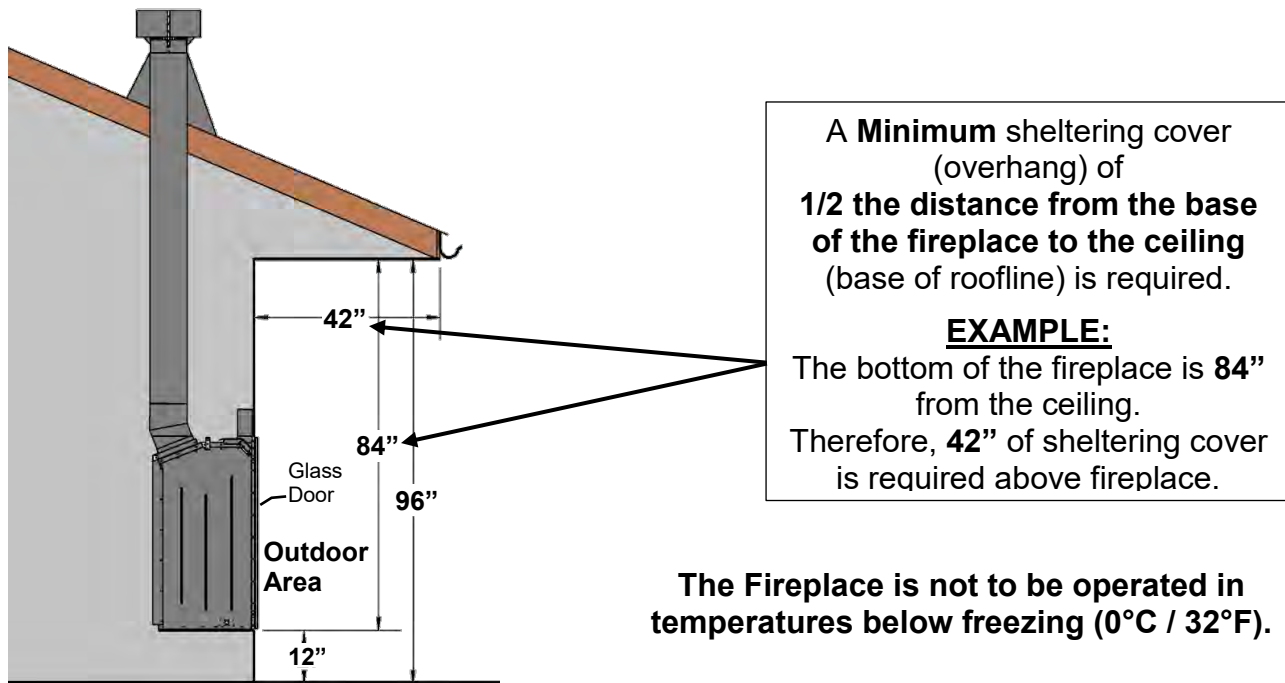
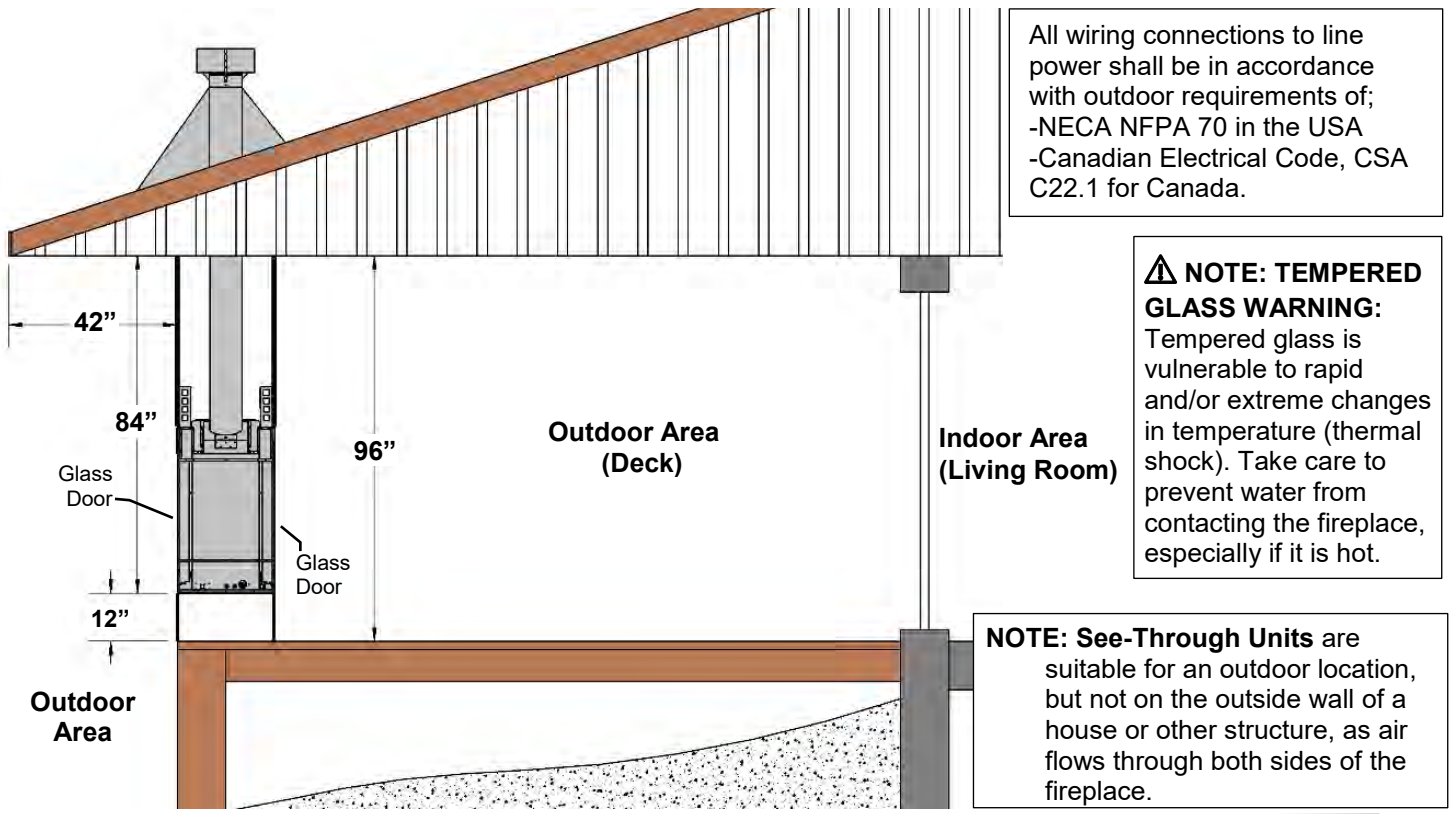


# Fireplace Installations in Covered Outdoor Locations – FOR BASIC MILLIVOLT UNITS ONLY- NO FAN – NO LIGHTS-

**CAUTION** – Installation of an indoor gas fireplace with an outdoor exposure is not covered under the (ANSI Z21.88 – CSA 2.22 or ANSI Z21.50 – CSA 2.33) standard(s) used to certify the indoor gas-fired fireplace. The Intertek safety certification will not apply to this installation method. This installation method must be deemed acceptable by the Authority Having Jurisdiction (AHJ) prior to the indoor gas fireplace being installed.

Kingsman and Marquis Direct Vent fireplaces may be installed into outdoor locations provided they are suitably protected from direct water impingement.

However, all installation clearances in the appliance manual must be observed. Framing, Clearances to Combustibles, Mantel Heights, Facing Requirements, Venting Installation, etc. **Use supplied Safety Screen.**



# MQVL48 / MQVLB48

# VENTED CHASE REQUIREMENTS

**FIREPLACE CHASE MUST BE VENTED AT TOP AND BOTTOM-** Minimum 151 square inches free air opening at the top of the chase, and minimum 84 square inches free air opening at the bottom of the chase.

Chase Vent Openings **LARGER** than the required minimums **ARE** allowed and will reduce surface temperatures.

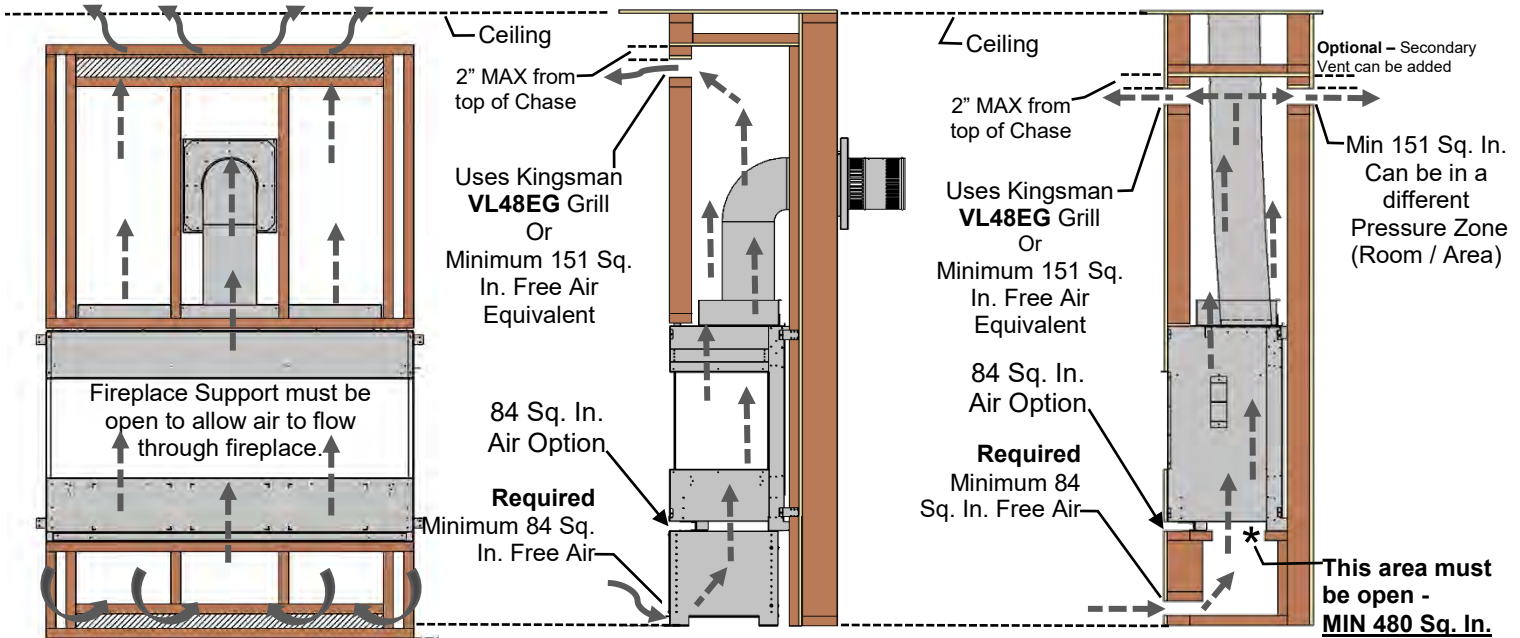
Platform must have minimum 480 Square inches free air opening.

**HEAT CANNOT BE DISCHARGED INTO THE WALLS, FLOOR, OR CEILING.** Heat must exit through the required vented chase opening near the ceiling.

**ELECTRICAL WIRES IN CHASE MUST BE PROPERLY ATTACHED TO INSIDE WALL OF CHASE. DO NOT RUN WIRES ABOVE APPLIANCE.** Please follow the current CSA C22.1 Canadian Electrical Code or the National Electrical Code; ANSI/NFPA 70 when installed in the United States.

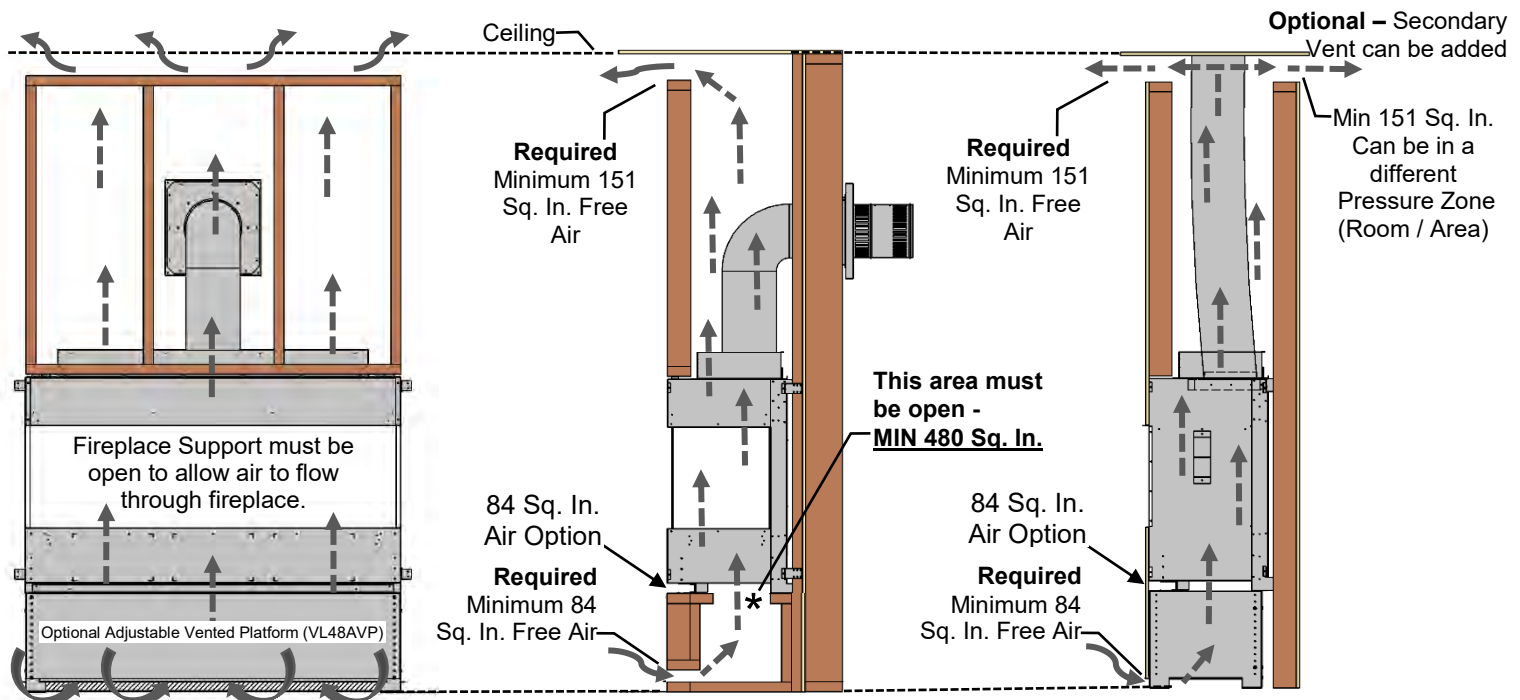
**⚠️** If using insulation in vented chase (i.e. for outside wall), wall board / drywall is required to support all insulation.  
 Vented chase must be clean and free of all debris (i.e. loose insulation, pieces of wood, etc.)

## -Framing for Vented Chase with Grills-



# MQVL48 / MQVLB48

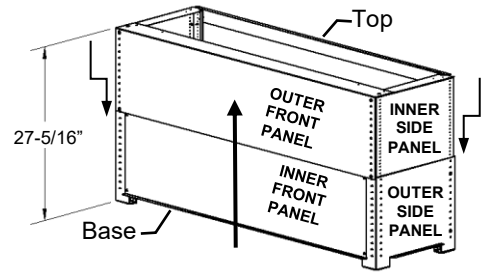
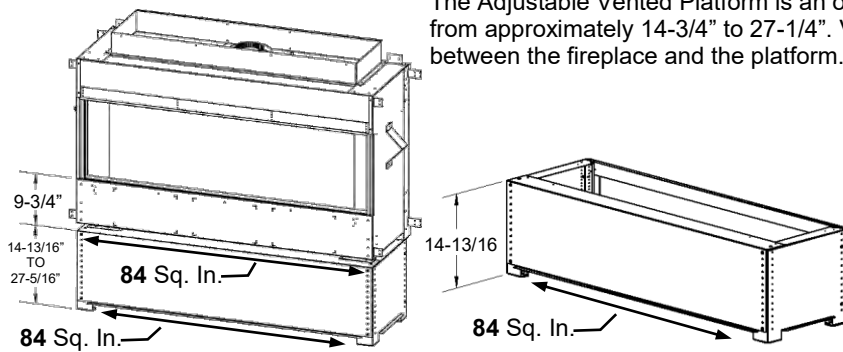
# -Framing for Vented Chase with Openings - No Grills-



# VL48AVP Adjustable Vented Platform

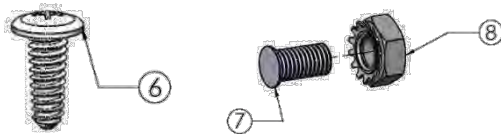
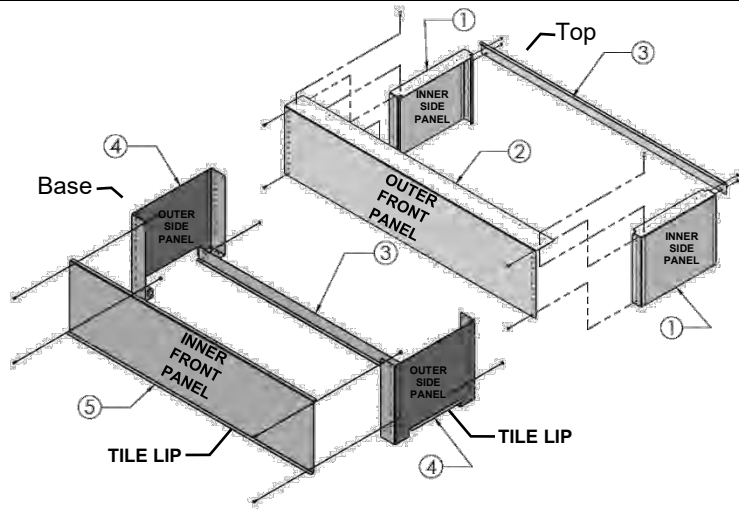
**-OPTION**

The Adjustable Vented Platform is an optional installation base. Height is variable from approximately 14-3/4" to 27-1/4". Venting slots are provided at the bottom and between the fireplace and the platform.

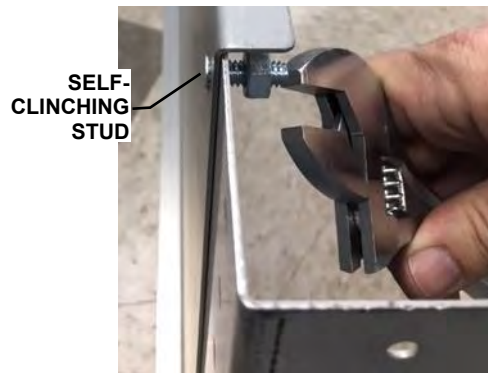
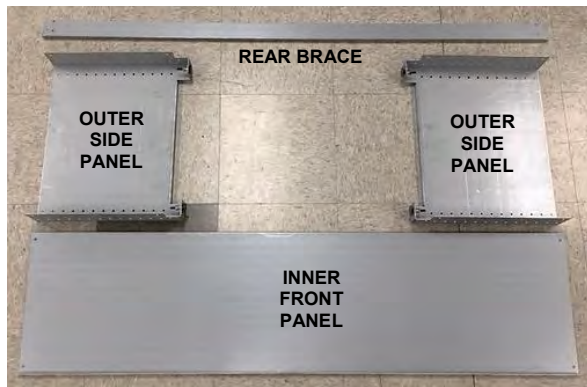


## VL60AVP PARTS LIST

ITEM NO.	DESCRIPTION	QTY.
1	Inner Side Panel	2
2	Outer Front Panel	1
3	Rear Brace	2
4	Outer Side Panel	2
5	Inner Front Panel	1
6	#8 x 5/8" Low Profile Screw	28
7	1/4-20 x 1/2" Self-Clinching Stud	4
8	1/4-20 Nut with Serrated Washer	4

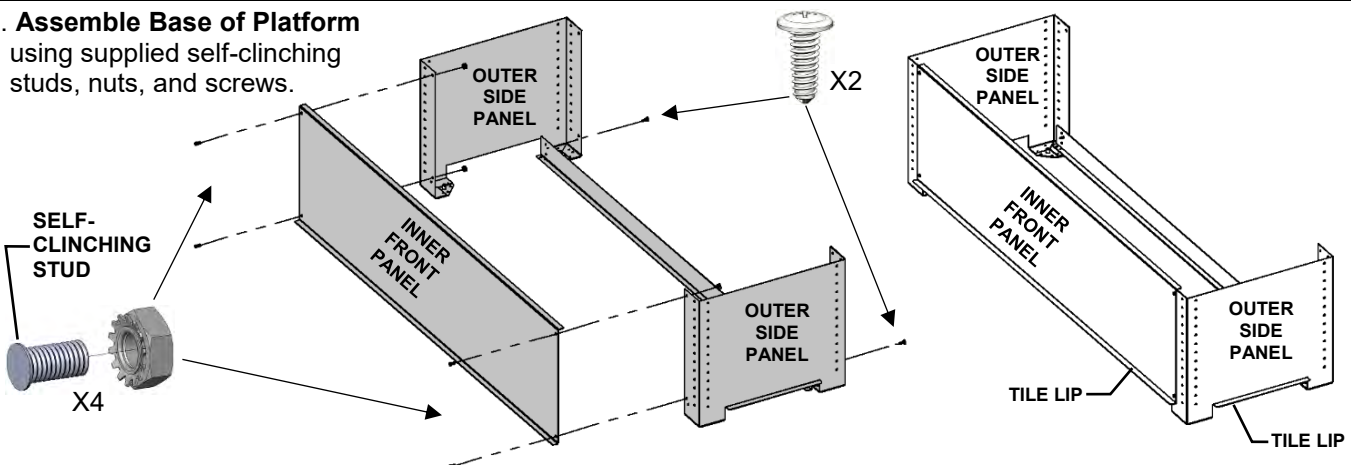


## STEP ONE: ASSEMBLE BASE



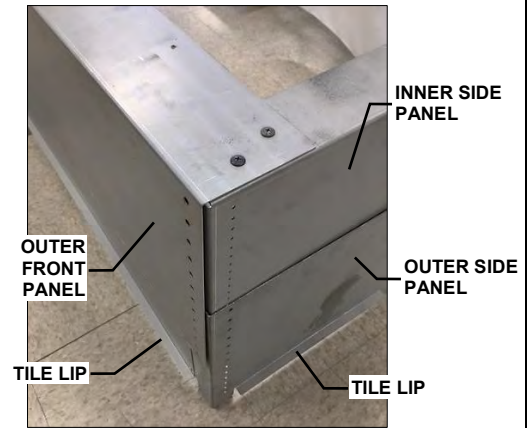
### 1. Assemble Base of Platform

using supplied self-clinching studs, nuts, and screws.

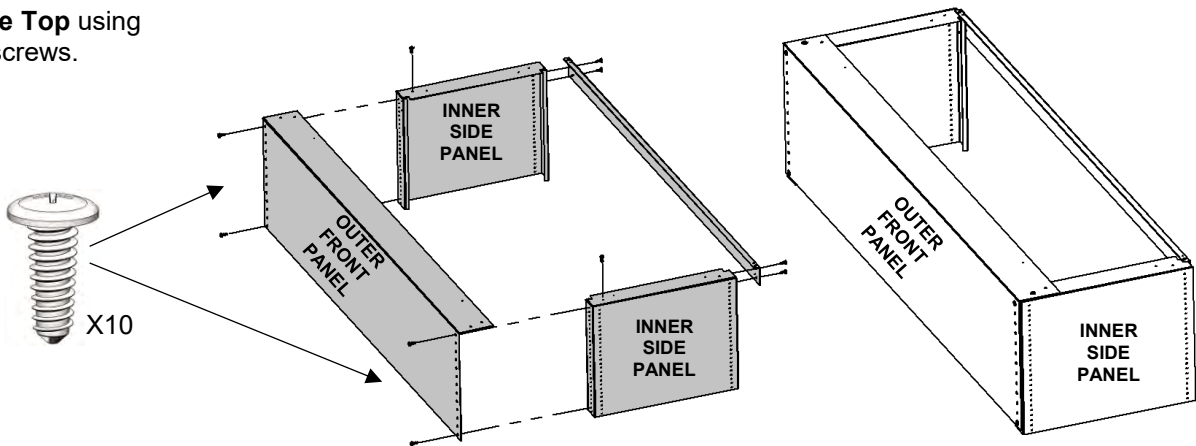


CONTINUED ON NEXT PAGE

## STEP TWO: ASSEMBLE TOP

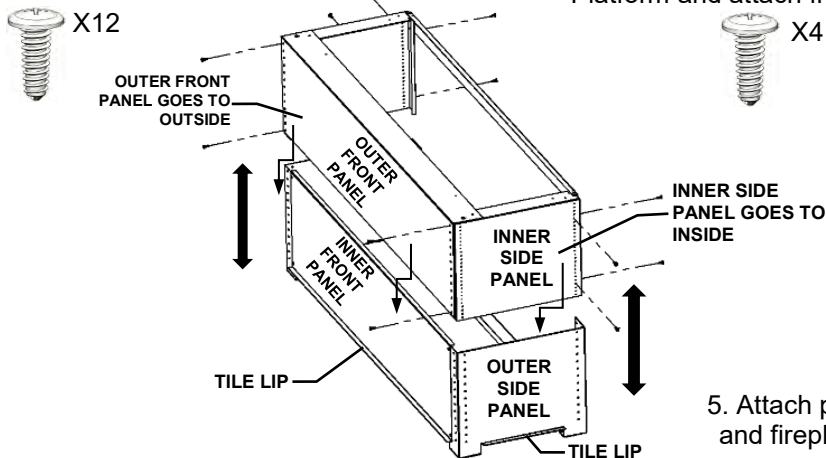


2. Assemble Top using supplied screws.

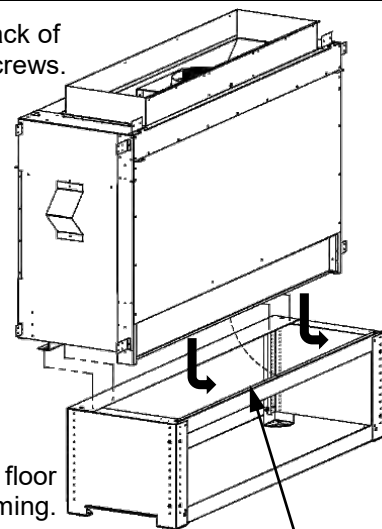


## STEP THREE: ASSEMBLE PLATFORM AND SET AT DESIRED HEIGHT

3. Set Platform at desired height and fix with screws.



4. Hook back of fireplace into back of Platform and attach front with screws.



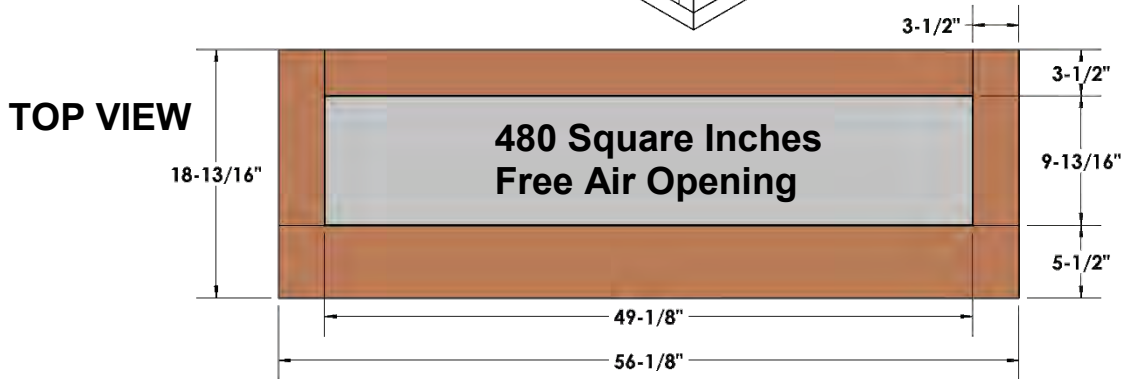
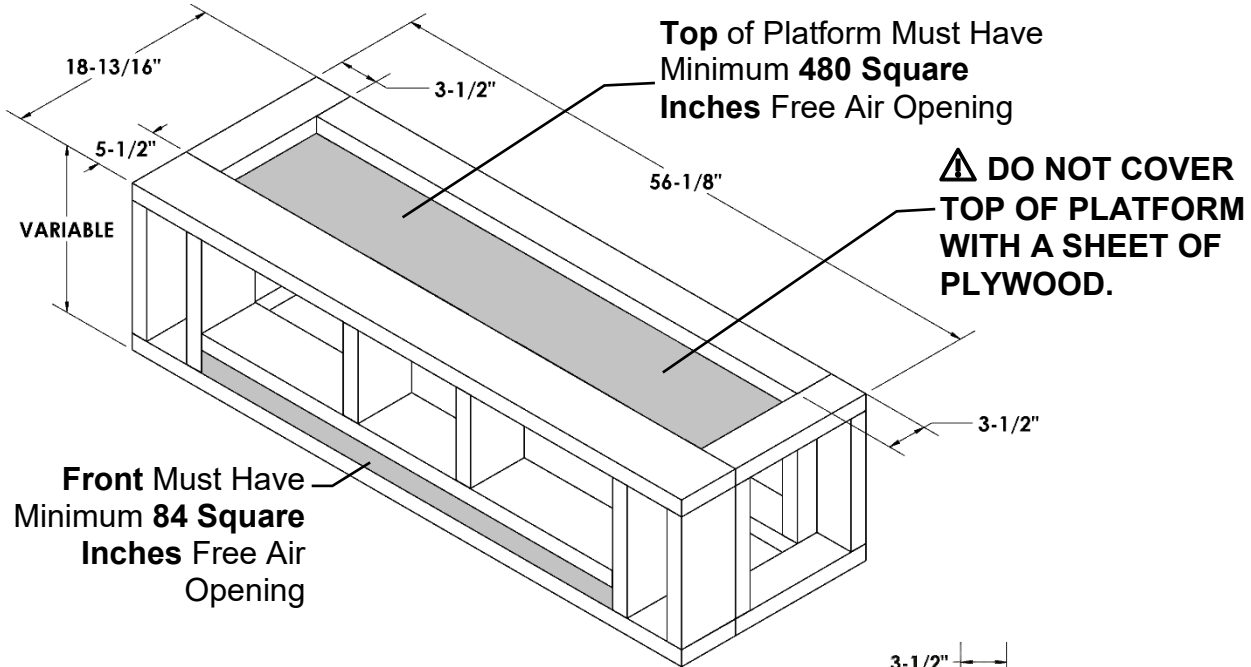
5. Attach platform to floor and fireplace to framing.

### NOTES:

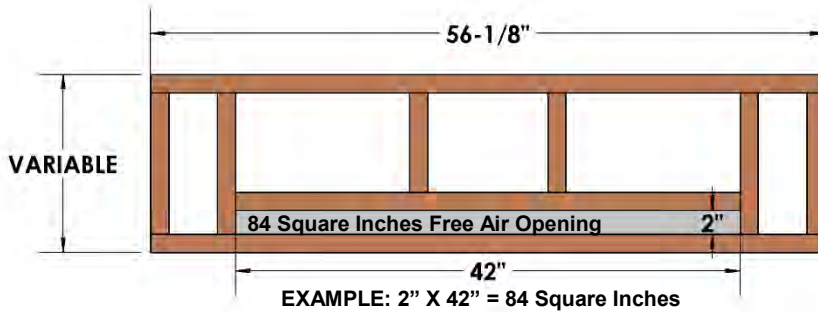
- The slot at the bottom front **AND** the front space between the fireplace and the AVP both have the required minimum **84** square inches of opening. Either one may be used.
- The side openings have 20-1/4 square inches of opening each. They can be closed in if the required minimum **84** square inches of opening has been achieved.
- If you wish to cover the AVP down to the floor on the sides, install a layer of 5/8" drywall down to the Tile Lip. This will allow for the installation of the final finishing materials down to the floor.



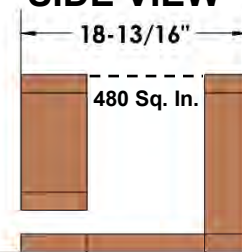
A Platform Base has air opening requirements that must be met.



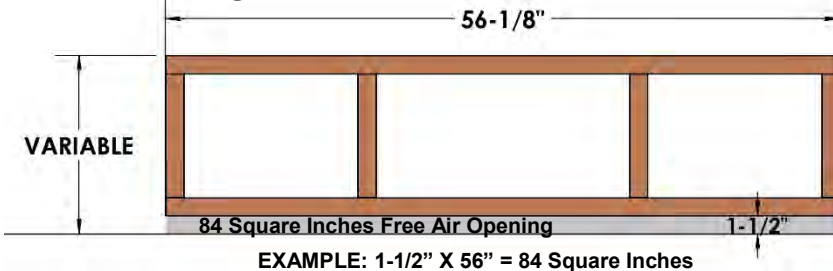
**EXAMPLE 1: FRONT VIEW**



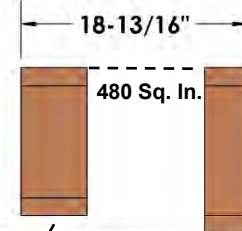
**SIDE VIEW**



**EXAMPLE 2: FRONT VIEW**



**SIDE VIEW**



Opening must not be blocked by floor covering.

# VL48EG Grill Installation- Compatible with both Vented Chase and HDS -Option-

## Parts List:

- [1] Louver Grill (ready to paint)
- [1] Outer Trim Grill Mount (ready to paint)
- [1] Upper Frame for Hidden Grill Mount
- [1] Lower Frame for Hidden Grill Mount
- [6] #6 Black Screws

**\*This Grill Meets Minimum Opening Air Free Requirements\***

This Kit comes with two installation options:

**Outer Trim Grill Mount** - For a Quick and simple installation.

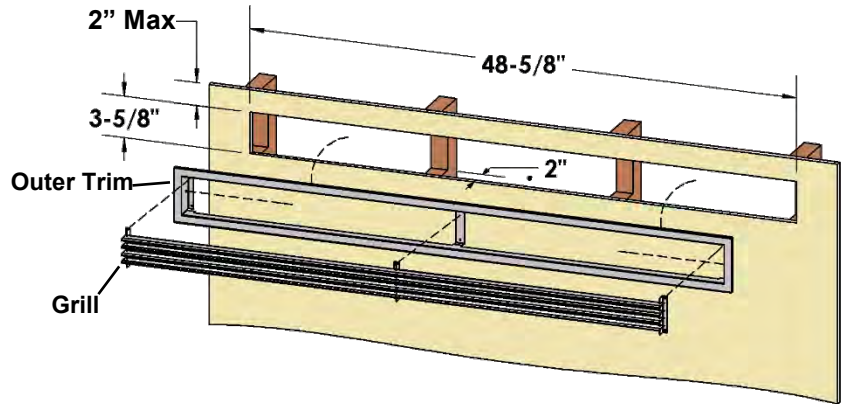
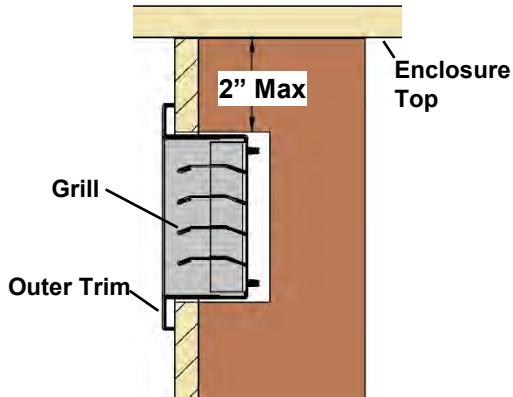
**Hidden Grill Mount** - For a very clean installation with only the grill visible in the finished opening.

**⚠ Grill openings must be within 2" of enclosure top. This is to prevent excess heat from becoming trapped in the top of the chase. See installation section of manual.**

### **USING OUTER TRIM MOUNT:** -Required Opening Dimension is **48-5/8" wide x 3-5/8" tall x 2" deep.**

Insert Trim into opening and fasten to framing with a wood screw at each end.

-Then insert Grill and attach with supplied #6 black screws. **Do not over tighten screws.**



### **USING HIDDEN GRILL MOUNT:**

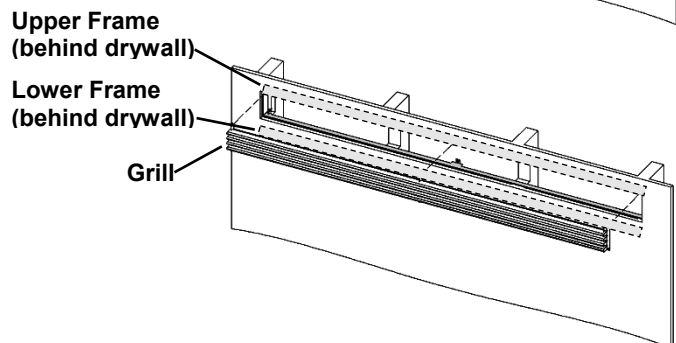
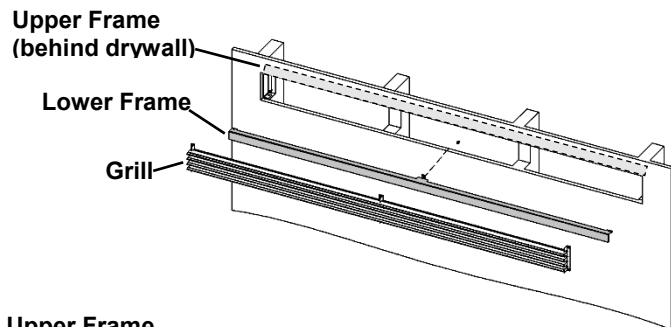
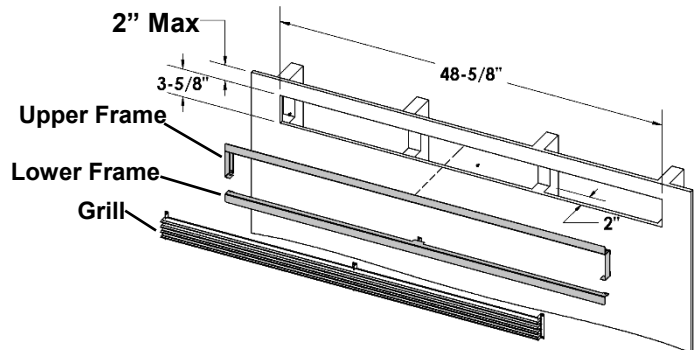
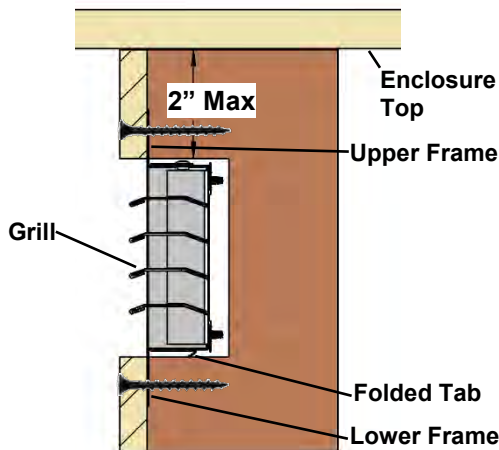
-Required Opening Dimension is **48-5/8" wide x 3-5/8" tall x 2" deep.**

-Insert Upper Frame into opening and push between drywall and framing studs. Attach to drywall with screws.

-Insert Lower Frame into opening and push between drywall and framing studs. Fold tabs at each of Lower Frame end to lock in place. Attach to drywall with screws.

-Completely finish wall.

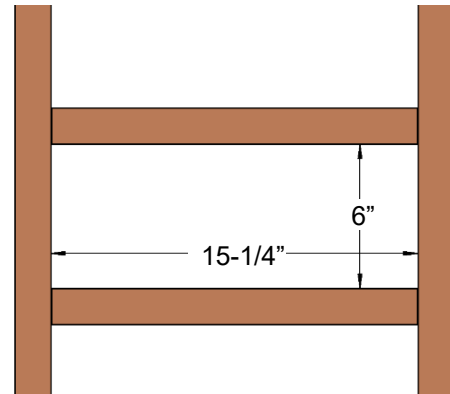
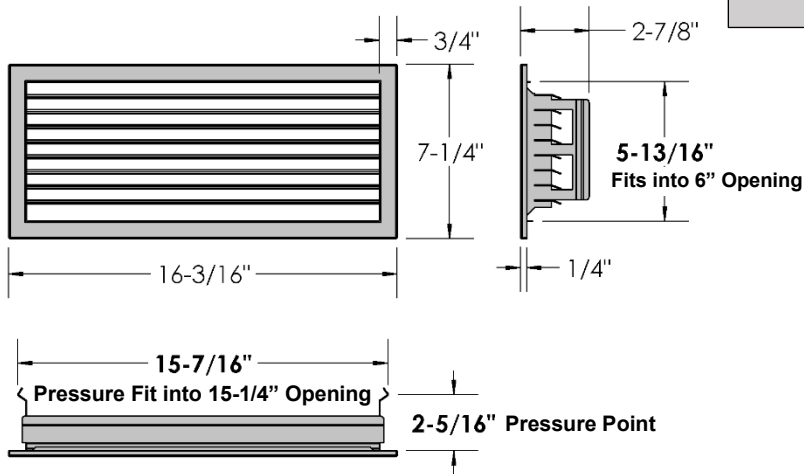
-Then insert Grill and attach with supplied #6 black screws. **Do not over tighten screws.**



Not compatible with HDS System.

**Contents of Kit:** [Qty 2] Side Grill assemblies (ready to paint).

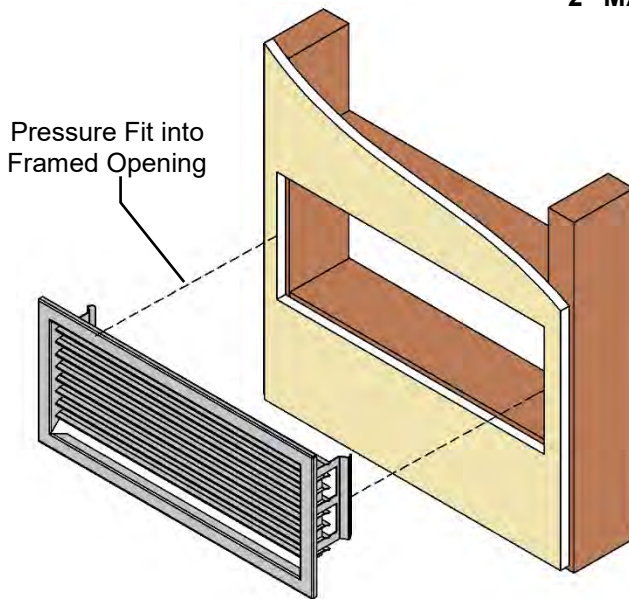
**⚠ Grill openings must be within 2" of enclosure top. This is to prevent excess heat from becoming trapped in the top of the chase. See installation section of manual.**



**15-1/4" x 6" Tall opening required.**

Can be used at Top and/or Bottom of Chase. VL48EGS Grills must be on **Left and Right Side** of chase if used at either location.

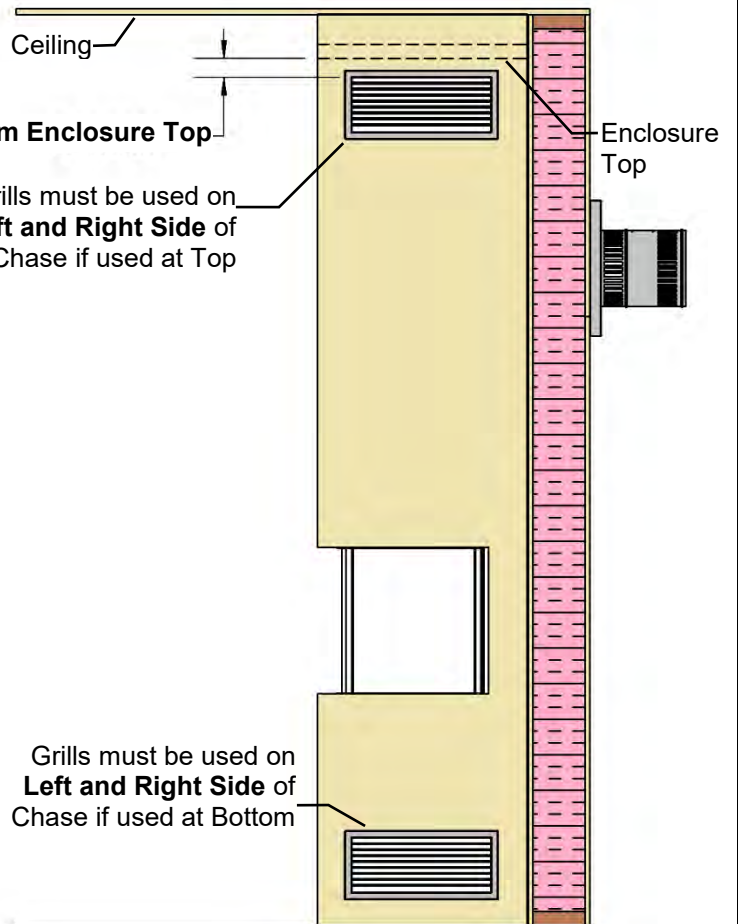
**For Top of Chase:**  
**⚠ Grill Openings Must be within 2" of Enclosure Top.**



**2" MAX from Enclosure Top**

Grills must be used on **Left and Right Side** of Chase if used at Top

Grills must be used on **Left and Right Side** of Chase if used at Bottom



**⚠ MQ Units - FIREPLACE CHASE MUST BE VENTED AT TOP AND BOTTOM-**

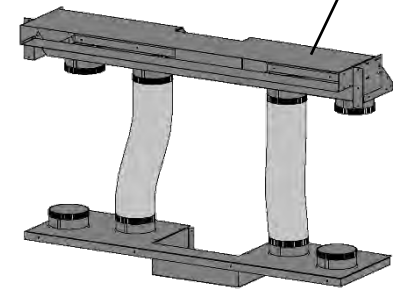
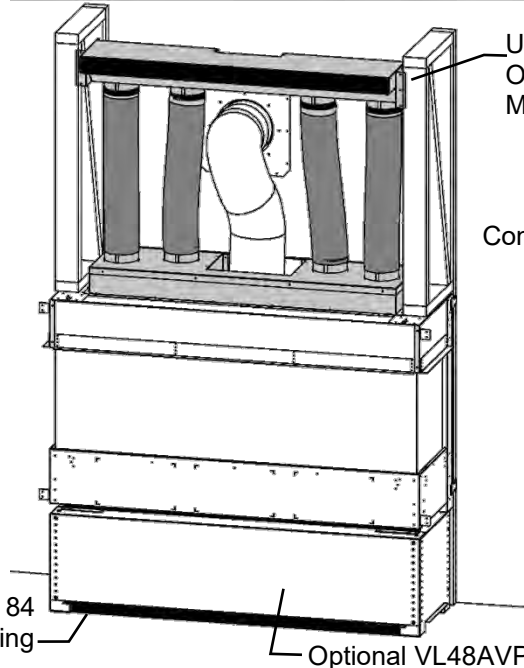
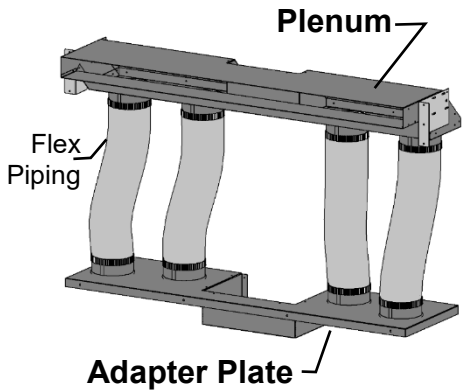


# VL48HDS Optional Heat Distribution System

**-Option**

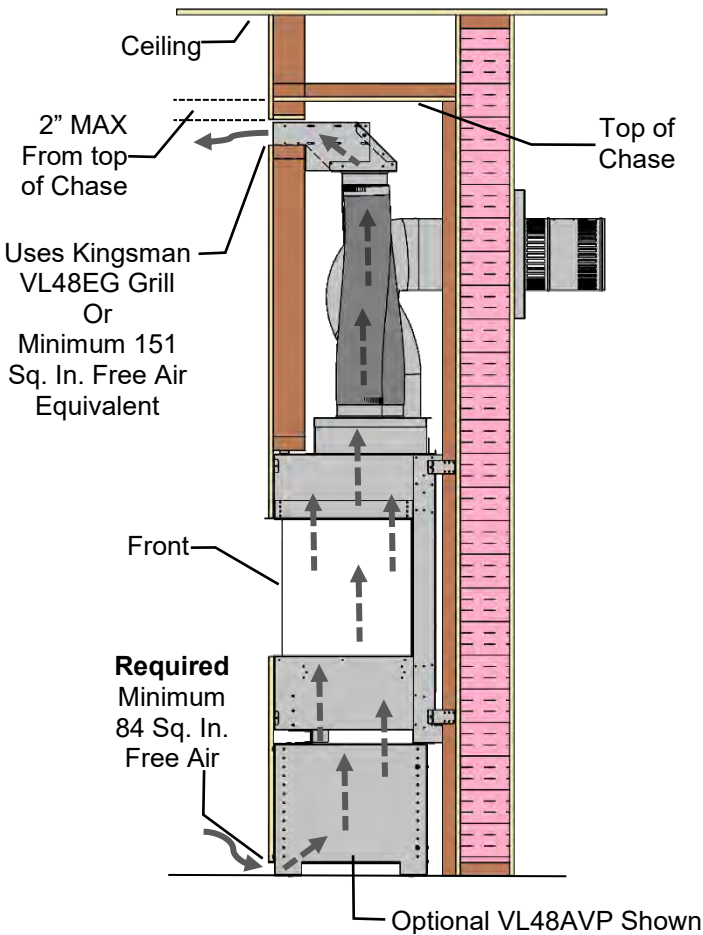
\*Requires ZDV5FP6 Flex Pipe Kit (Contains 4 pcs. 5" diameter flex pipe 6' long).

Must be installed before front framing is in place.

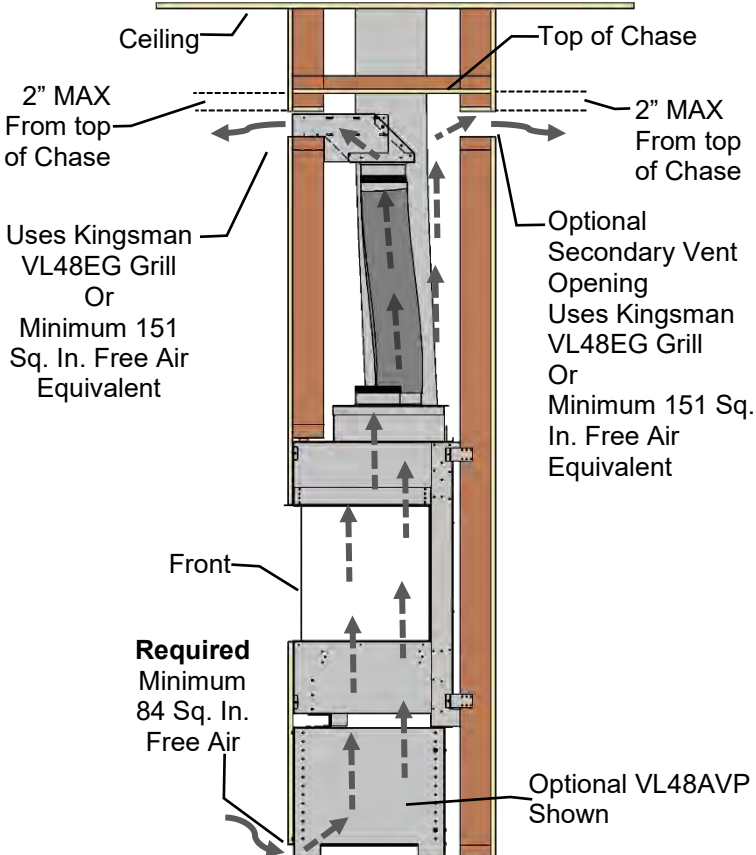


**⚠** If using insulation in vented chase (i.e. for outside wall), wall board / drywall is required to support all insulation. Vented chase must be clean and free of all debris (i.e. loose insulation, pieces of wood, etc.).

**Single Room Option**  
Heated Room Air flows back into room with fireplace.  
Connect **all four** flex pipes.



**Secondary Vent Opening Option**  
Heated Room Air flows into room with fireplace and an area that is common to the main room.  
Connect only the **two inside flex pipes**.

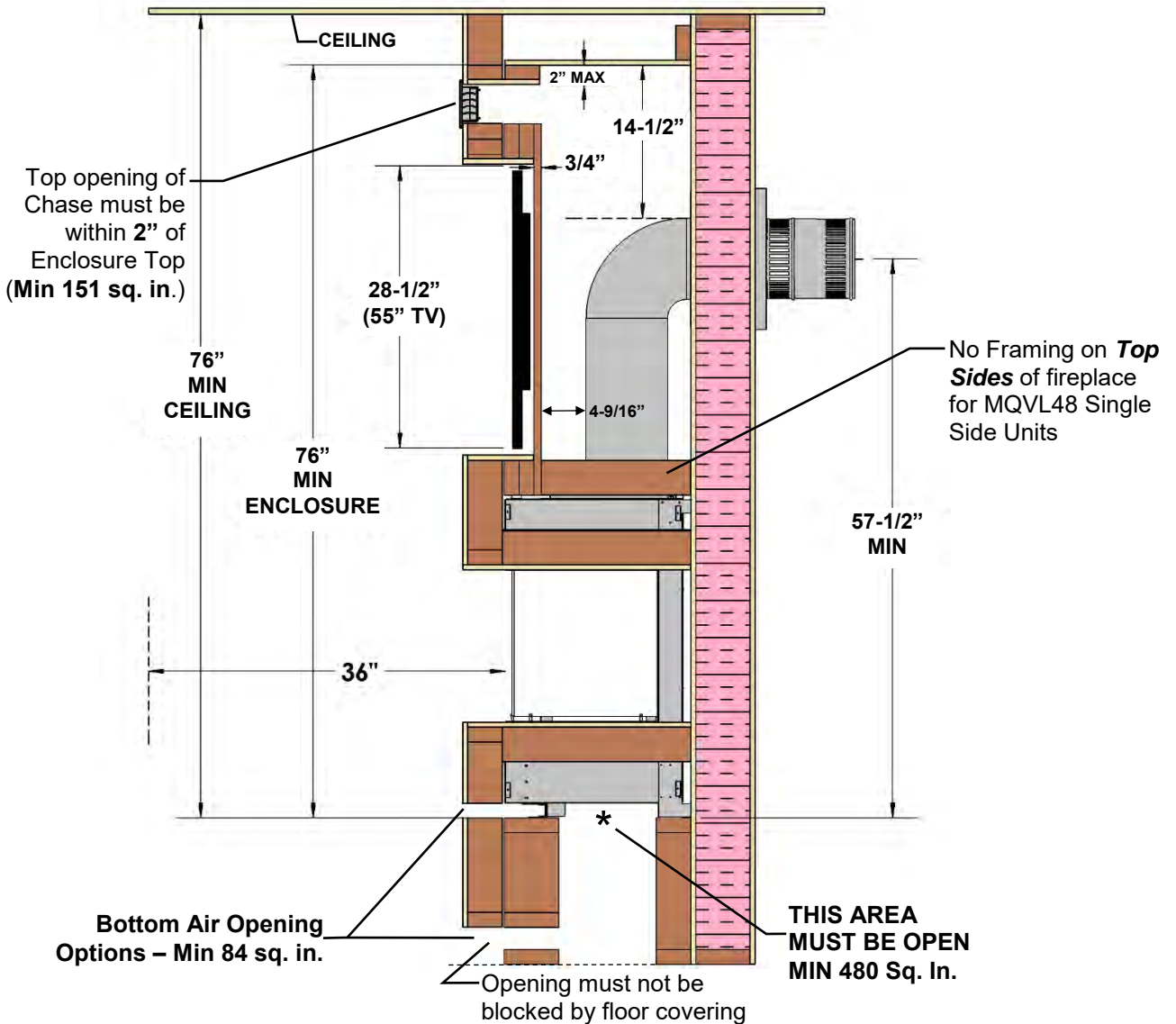


**Secondary Vent Opening Must Be In the Same Pressure Zone (Room / Area)**

Front (Furniture, etc. from glass)	36" [92cm]
Side (Furniture, etc. from glass)	36" [92cm]
Side (from Stand-offs of VLB48 or Corner Kit)	0" [0cm]
Back (from Stand-offs)	0" [0cm]
Floor	0" [0cm]
Minimum Ceiling Height (from bottom of fireplace)	76" [193cm]
Top (from Stand-offs)	0" [0cm]
Top of 90° Bend in minimum Enclosure of 76"	14-1/2" [36.8cm]
Top of 90° Bend in Enclosure over 76"	4" [10.2cm]
<b>VENTING SYSTEMS</b>	
Top of Horizontal Pipe	1/1/2" [3.8cm]
Side & Bottom of Horizontal Pipe	1" [2.5cm] All Vent Systems
Vertical Vent Pipe	1" [2.5cm] All Vent Systems

**NOTE**  
 If using insulation in vented chase (i.e. for outside wall), wall board / drywall is required to support all insulation.  
 Vented chase must be clean and free of all debris (i.e. loose insulation, pieces of wood, etc.).

**SIDE VIEW (MQVLB48 SHOWN)**



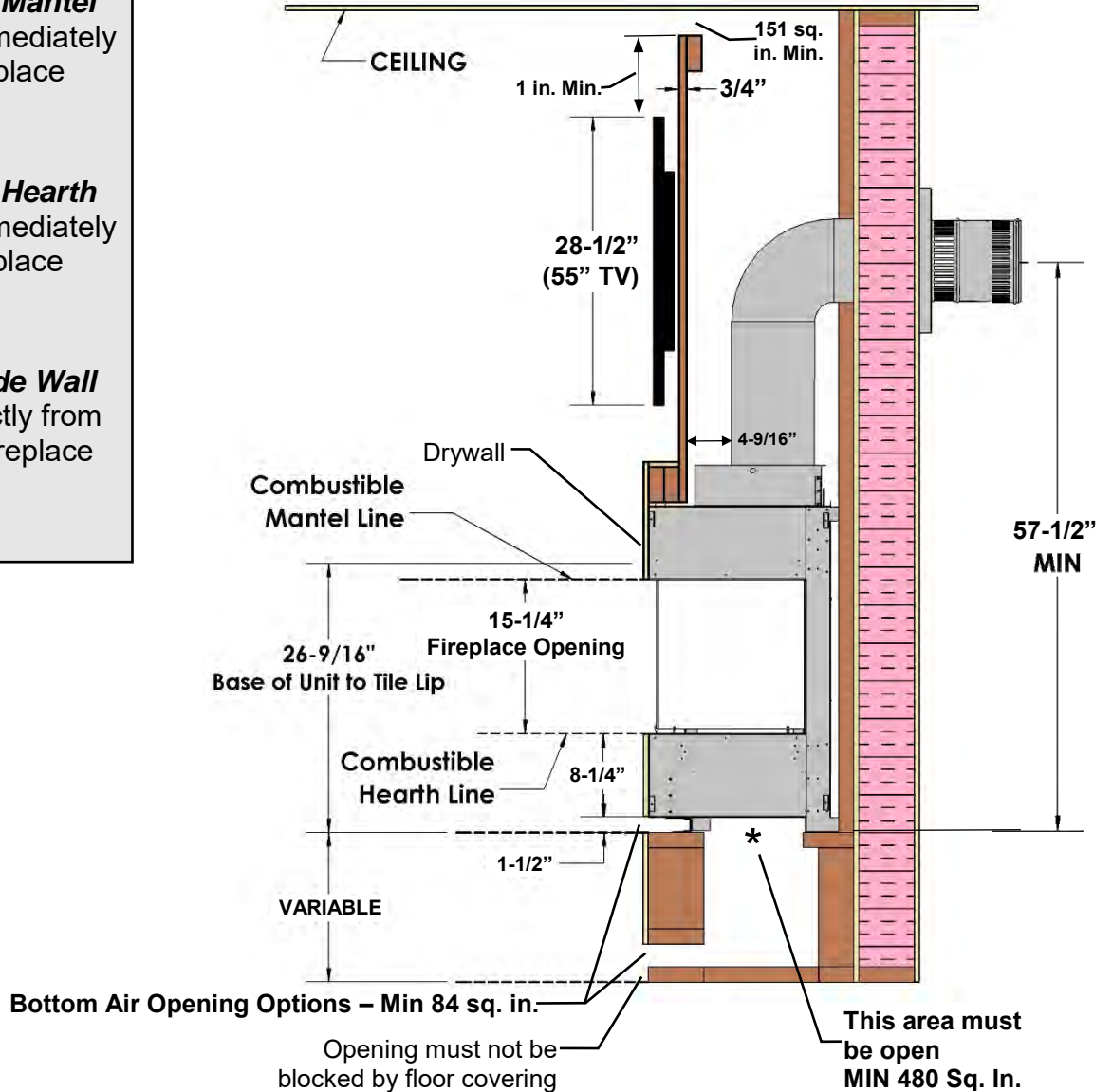
# MQVL48 / MQVLB48 Mantel Clearances

A **Combustible Mantel** can be placed immediately above the fireplace opening.

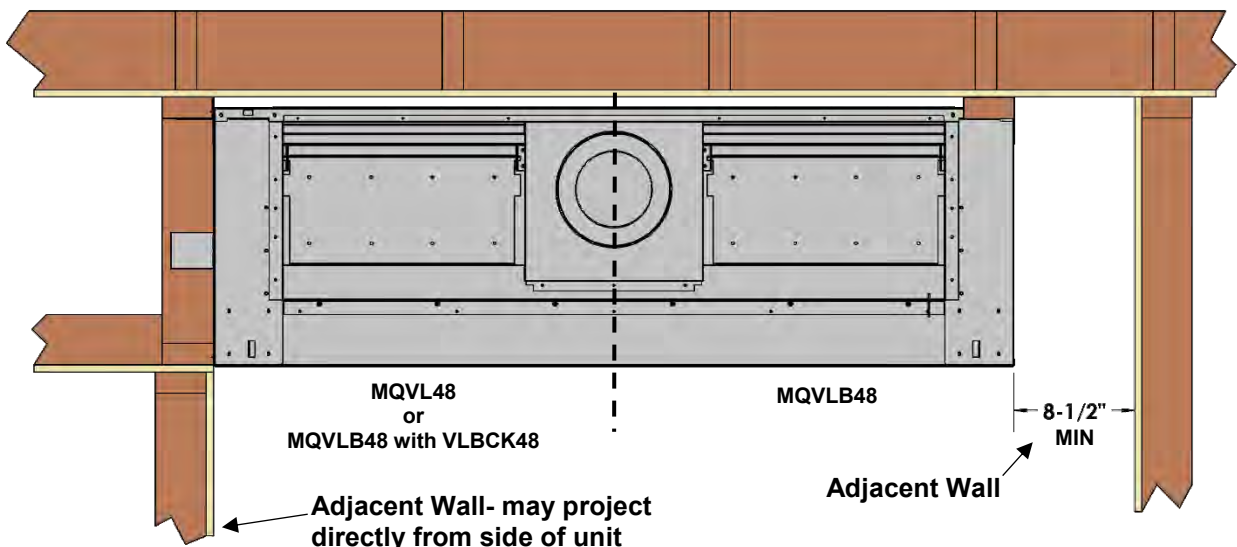
A **Combustible Hearth** can be placed immediately below the fireplace opening.

An **Adjacent Side Wall** may project directly from the side of the fireplace opening.

## SIDE VIEW (MQVLB48 Shown)



## MQVL48 / MQVLB48 Adjacent Wall - TOP VIEW



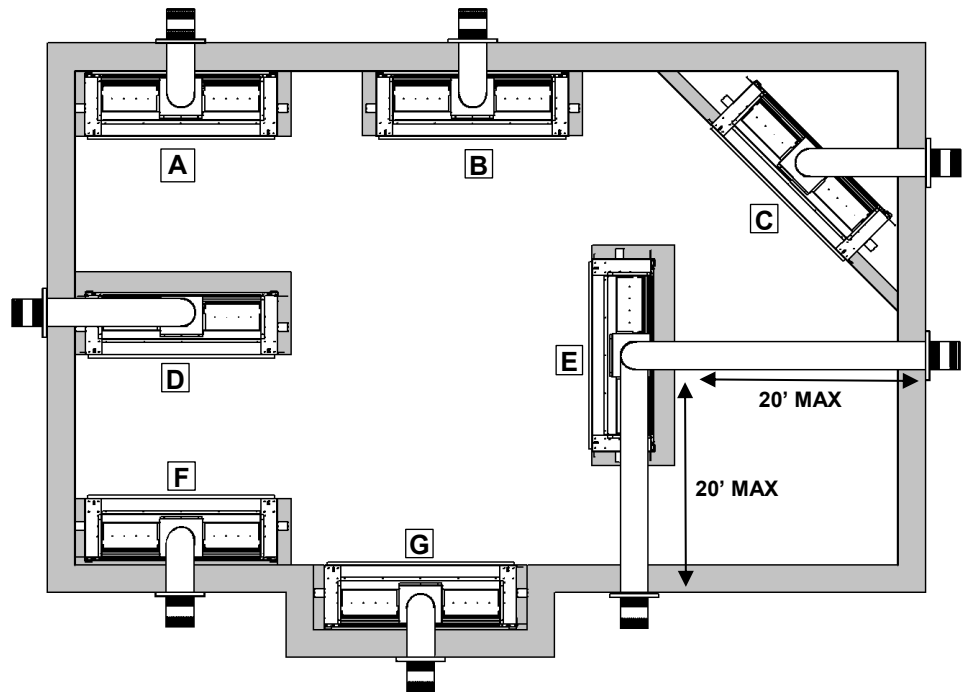
# MQVL48 Single Side

# Locating Your Appliance

### LOCATION KEY:

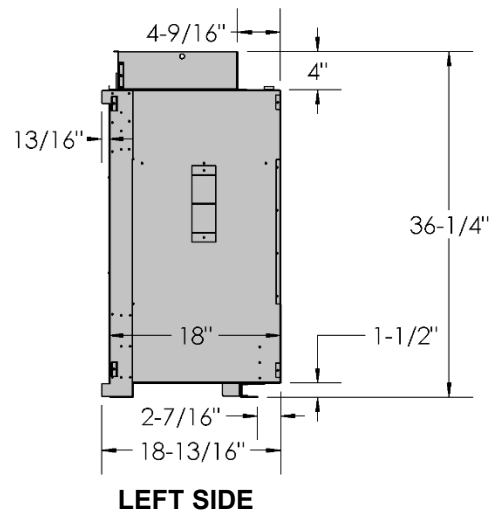
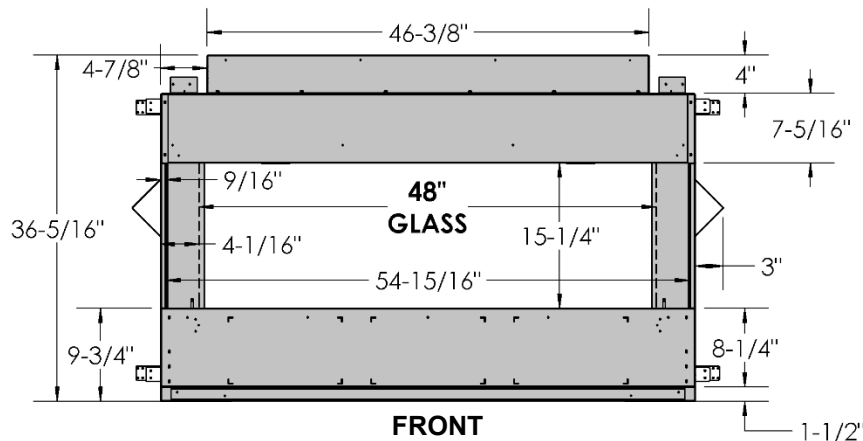
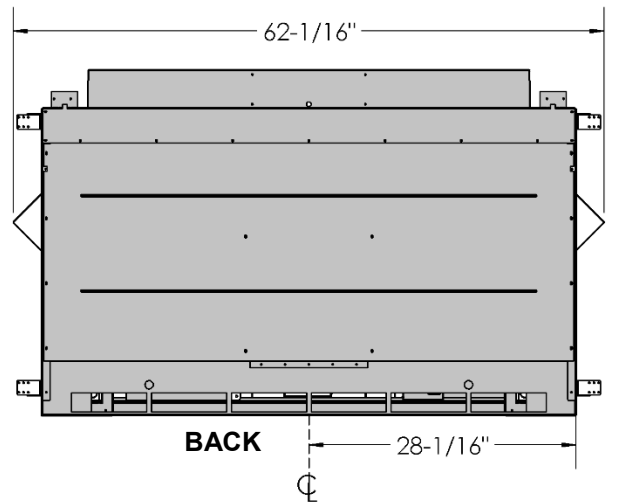
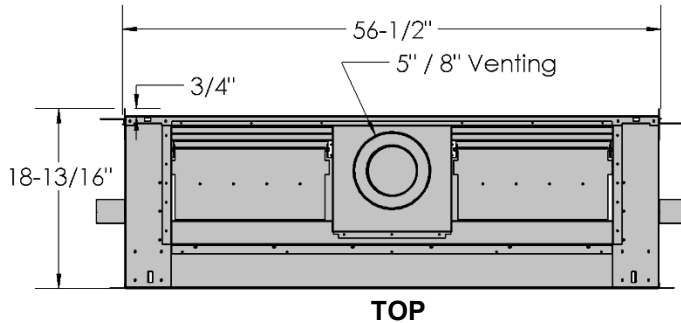
- A. Left Side Corner
- B. Flat on Wall
- C. 45° Corner
- D. As a Room Divider
- E. As an Island\*
- F. Right Side Corner
- G. Exterior Wall Chase

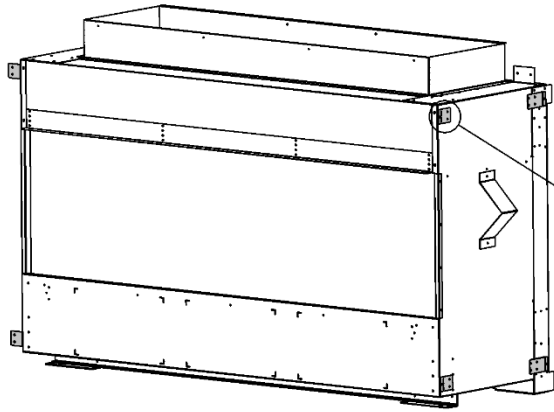
\*Island installation with a top vent is possible as long as the horizontal portion of the vent system does not exceed 20 feet (6.1 m).



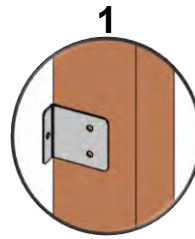
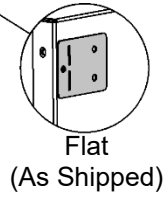
# MQVL48 Single Side

# Fireplace Dimensions

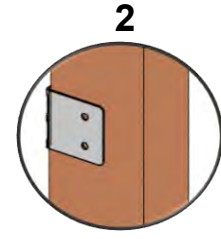




[Qty] 4 Nailing Tabs are located on each side of the front frame.  
**NOTE:** If using the rear nailing tabs for cantilevered chase etc., refer to the *Nailing Tab page for MQVLB48 Bay Peninsula*.



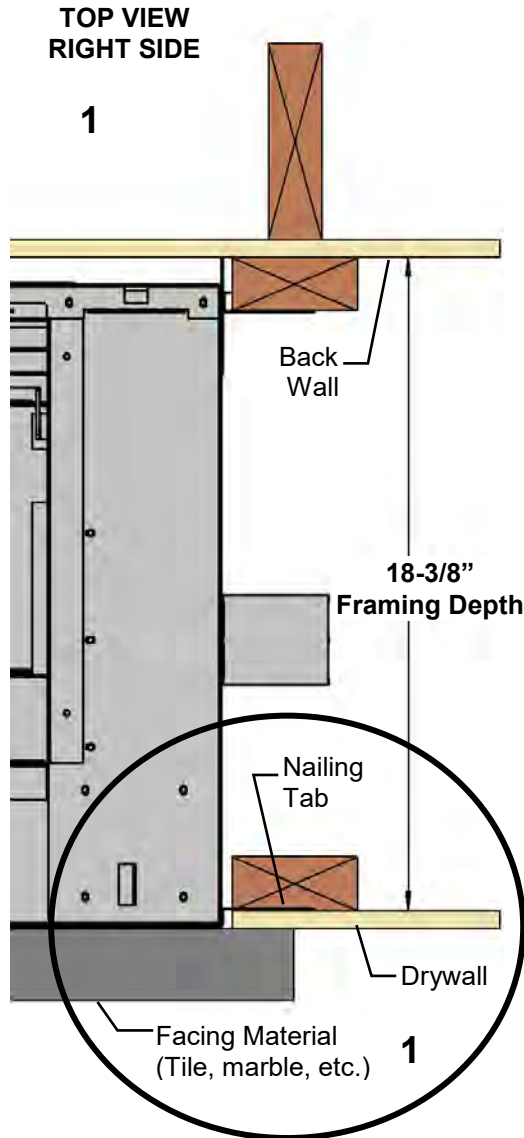
Pull up 90° for wall flush with fireplace face.



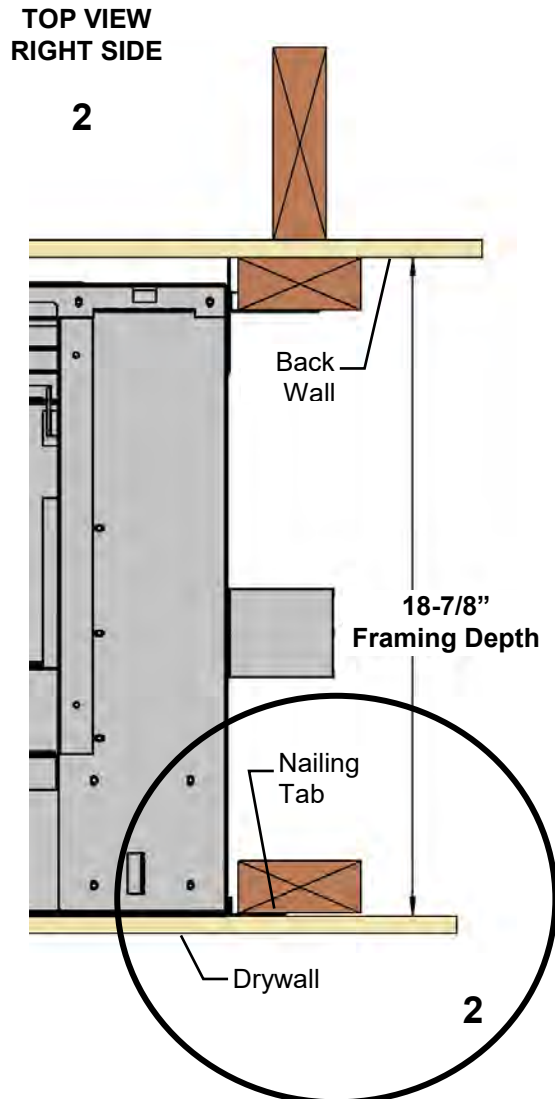
Rotate 180° for framing flush with fireplace face.

**These Nailing Tabs can be used in two ways:**

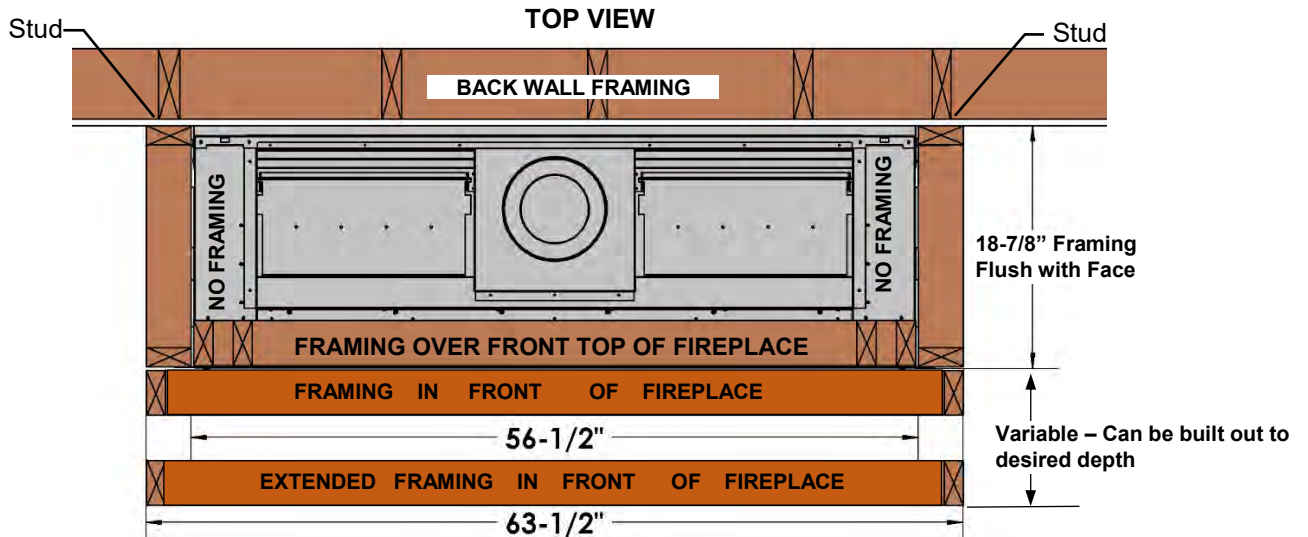
**1/2" Drywall Flush with Face of Fireplace** –Fireplace face and wall to be covered (e.g. Tile around Fireplace).



**Framing Flush with Face of Fireplace** –Finished wall surface will continue up to fireplace opening.

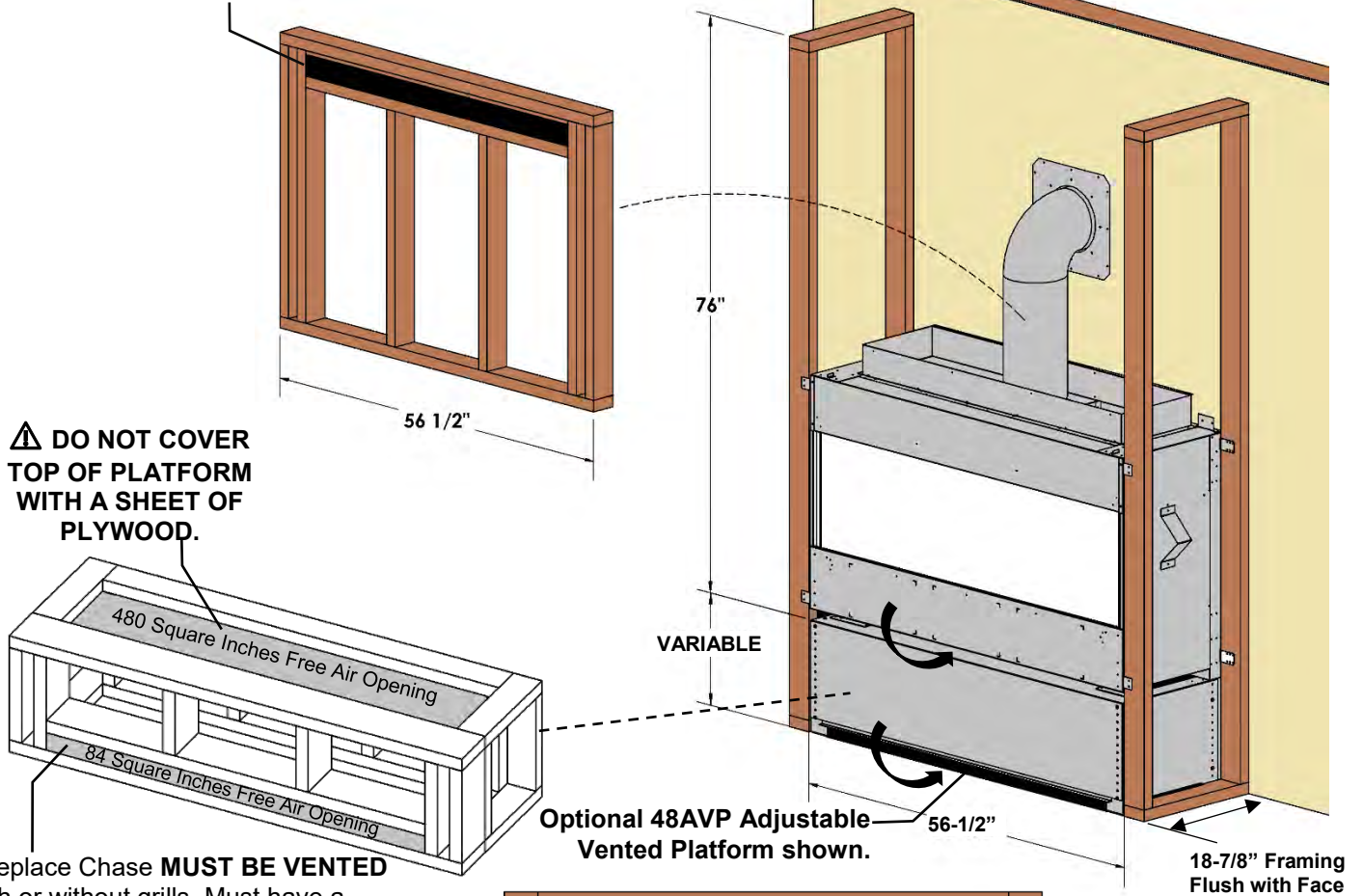


# MQVL48 Single Side Framing

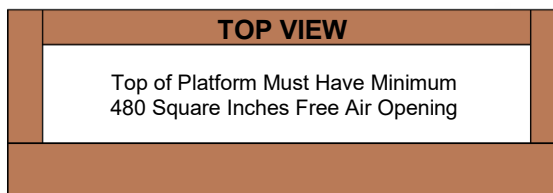


Appliance must be in place with venting connected before area above fireplace is framed in.  
**NOTE:** Appliance and framing structures are not load bearing.

Fireplace Chase **MUST BE VENTED** at the top with or without grills.  
 Must have a **minimum of 151 square inches free air opening**.



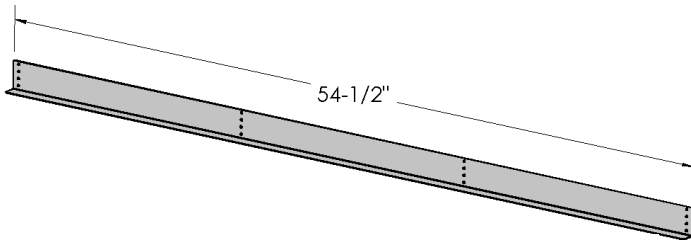
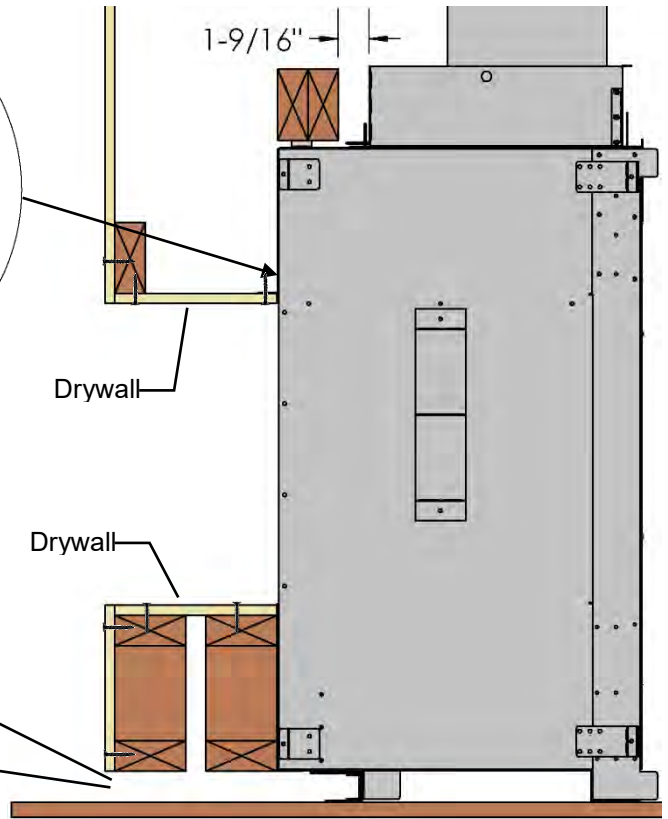
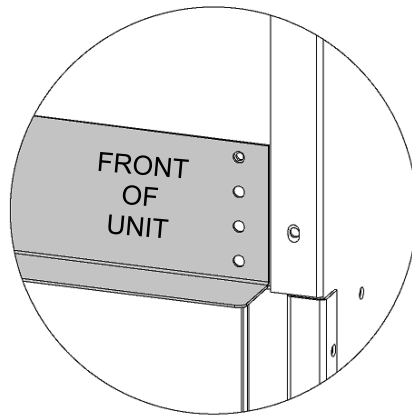
Fireplace Chase **MUST BE VENTED** with or without grills. Must have a **minimum of 84 square inches free air opening** below appliance.  
 Opening must not be blocked by floor covering.



## MQVL48 Single Side - Using Tile Lip

A Tile Lip is supplied for attachment above the fireplace opening. This can be used as a standard tile edging or as a mount bracket for other surfaces like drywall or plywood.

Set to desired height and attach through holes in face of fireplace.



84 Square Inches Free Air Opening

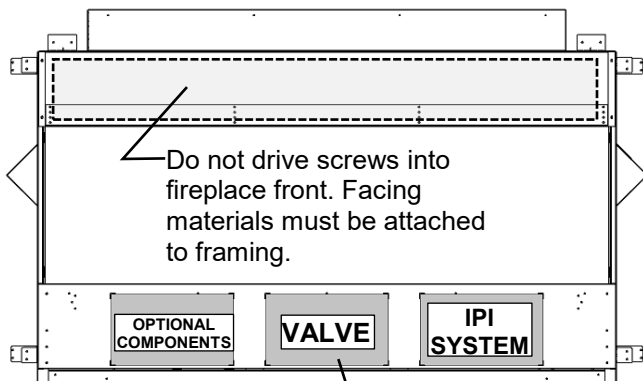
Opening must not be blocked by floor covering

## MQVL48 – Single Side -Facing Requirements

Unit may be covered with combustible material (i.e. drywall) up to the fireplace opening.

**Option A:** Open Chase at Ceiling (MIN 151 Sq. In.)

**Option B:** Vent Slot in Chase (MIN 151 Sq. In.)  
MAX 2" Below Ceiling



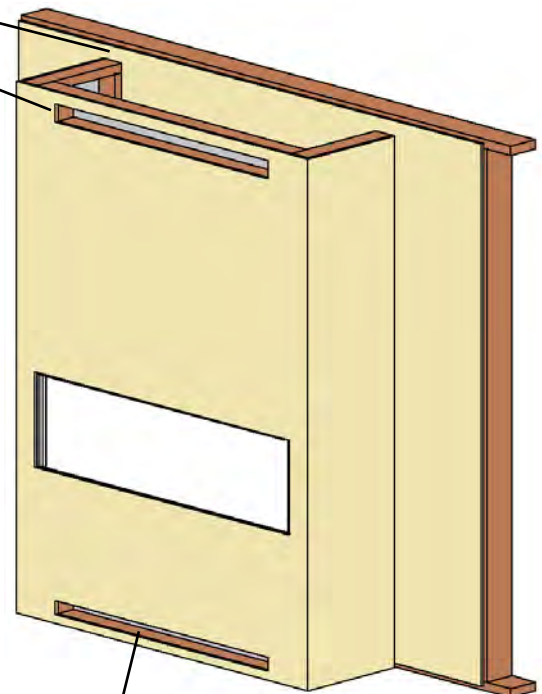
Do not drive screws into fireplace front. Facing materials must be attached to framing.

OPTIONAL COMPONENTS

VALVE

IPI SYSTEM

Do not drive screws into these highlighted areas.



Lower Vent Slot (MIN 84 Sq. In.) is REQUIRED for ALL Installations.

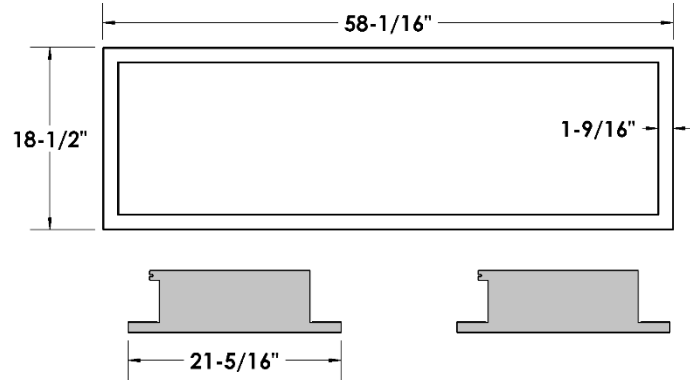
# VL48S1BL / VL48S1SS -Surround Installation for MQVL48

-Option

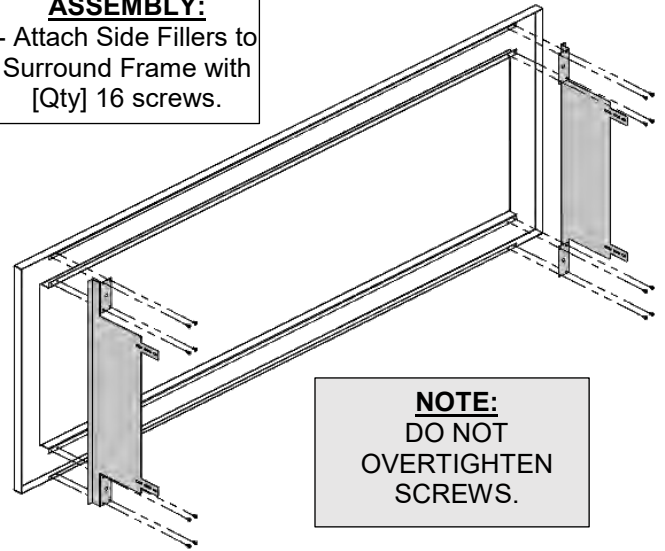
Surround is available in Painted Black (VL48S1BL) or Stainless Steel with Black Sides (VL48S1SS).

**PARTS LIST:**

- Surround Frame
- [Qty 2] Black Side Fillers
- [Qty 20] #6 Screws



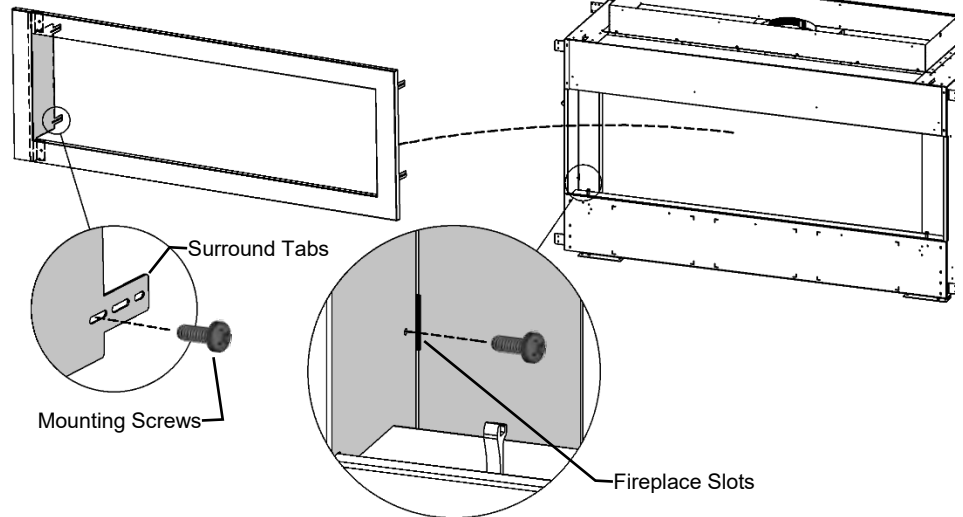
**ASSEMBLY:**  
- Attach Side Fillers to Surround Frame with [Qty] 16 screws.



**NOTE:**  
DO NOT OVERTIGHTEN SCREWS.

**INSTALLATION:**

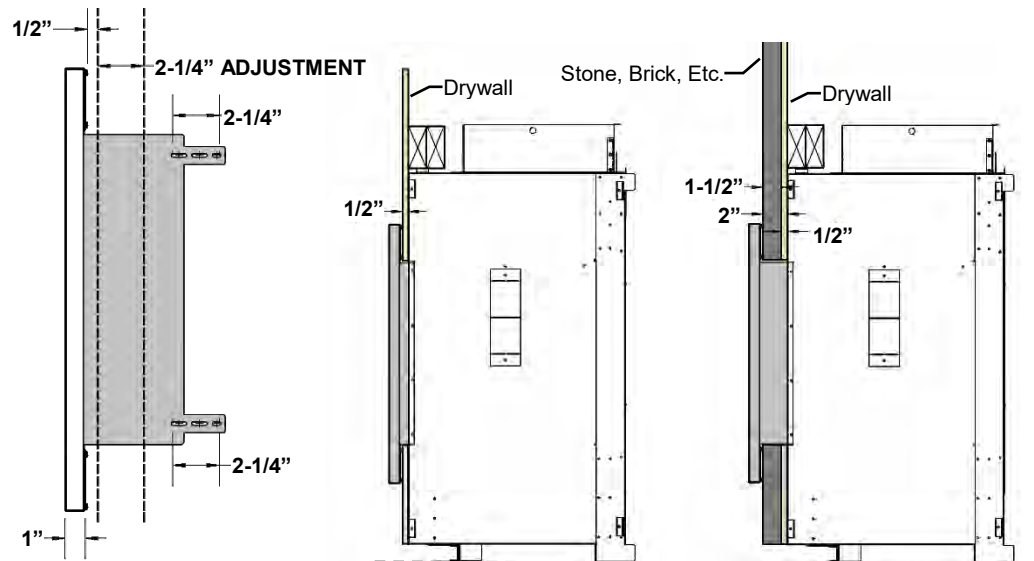
- Fireplace must be installed and wall surface must be finished.
- Insert assembled Surround into fireplace opening. **Surround Tabs** will fit into **Fireplace Slots**.
- Insert (Qty 4) screws through the holes in the Surround Tabs and into the Fireplace. **DO NOT TIGHTEN SCREWS.**
- Set Surround to desired depth (see **Adjustment** below).



**ADJUSTMENT:**

- Depth of Surround can be adjusted to match thickness of wall finishing materials.
- Gap behind Surround can be adjusted from approximately 1/2" (drywall only) to 2-1/4" (stone, brick, or other materials).
- Once depth of Surround has been set, tighten screws to hold Surround in place.

**NOTE:**  
DO NOT OVERTIGHTEN SCREWS.



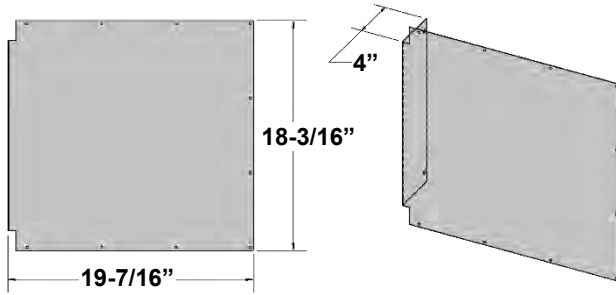


# MQVL48 Single Side- MQVL48SEP Side Extension Panels

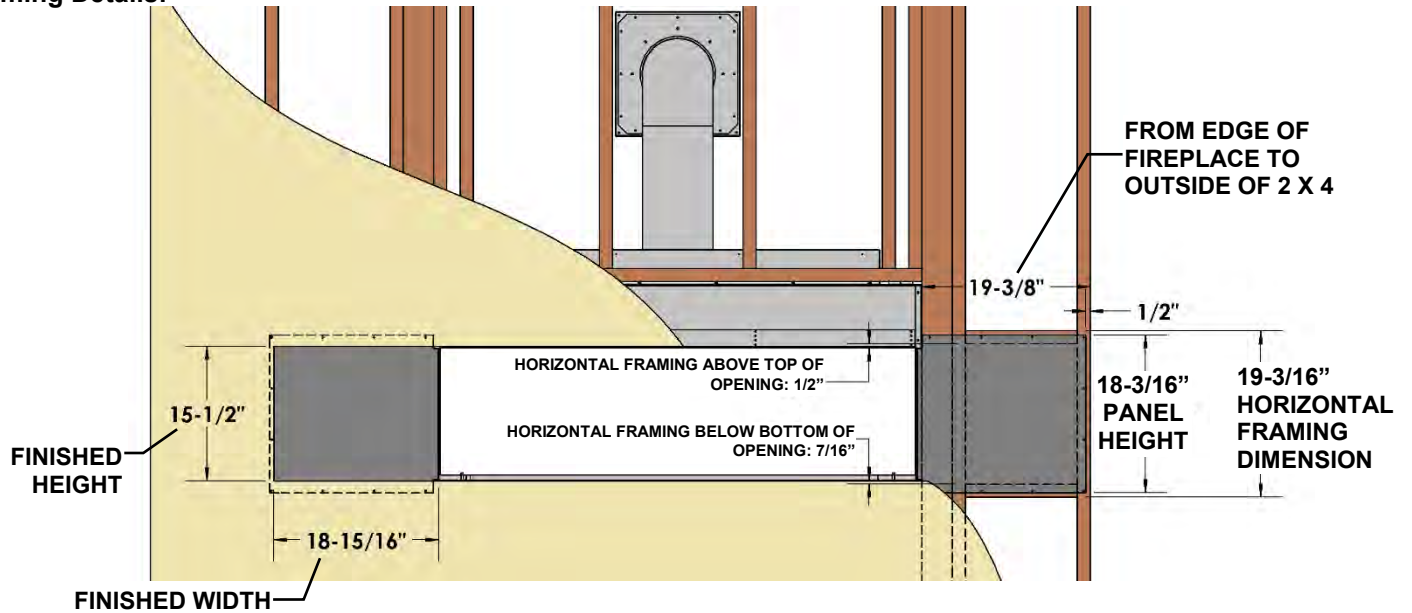
-Option-

**Contents if Kit:**

- Qty 2 – Side Extension Panels
- Qty 4 - #6 Black Screws

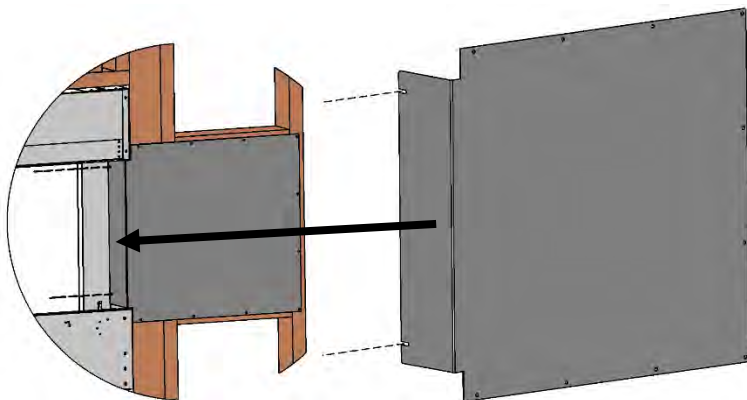


**Framing Details:**



**Installation Procedure:**

1. Place Panel into side opening of fireplace. Attach panels to inside of fireplace face with [Qty 2] #6 Black Screws.
2. Attach Panel to wall with nails or low profile pan head screws. Repeat for other side.
3. Proceed with finishing wall surface.



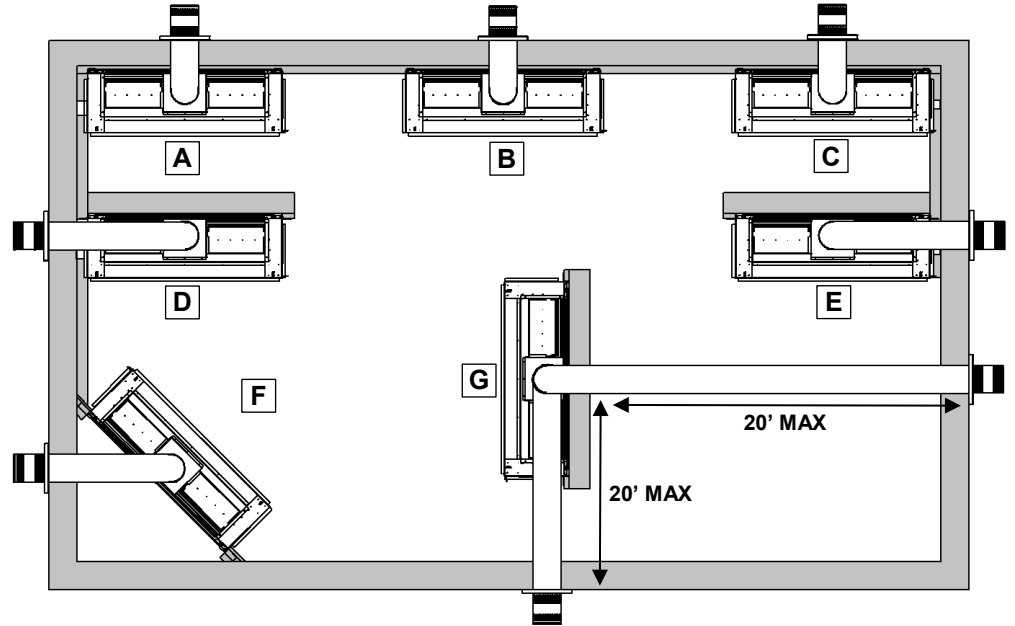
## MQVLB48 Bay Peninsula

## Locating Your Appliance

### LOCATION KEY:

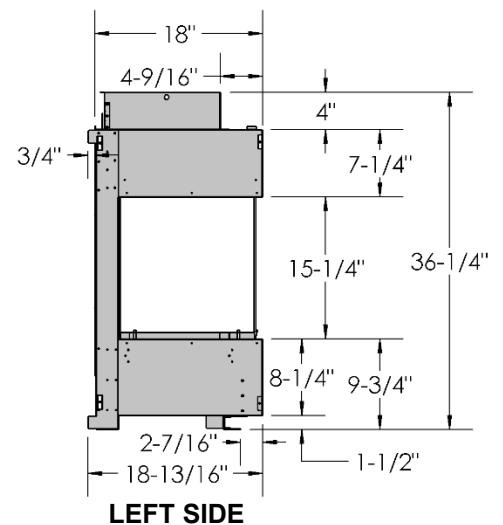
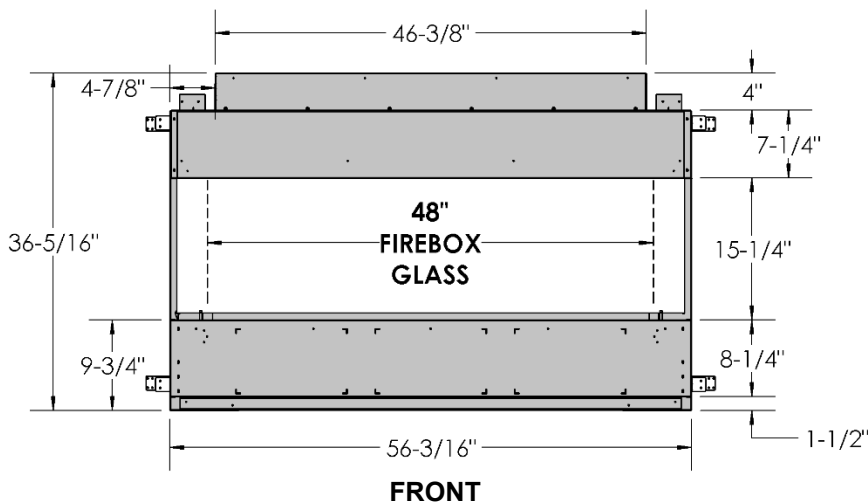
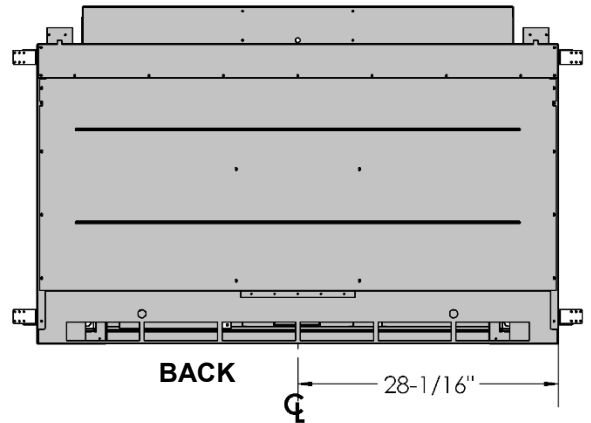
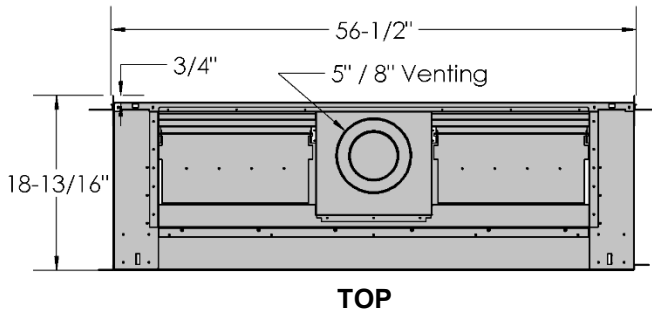
- A. Corner Kit- Left Side
- B. Flat on Wall
- C. Corner Kit- Right Side
- D. Corner Kit- Left Side
- E. Corner Kit- Right Side
- F. 45° Corner
- G. As an Island\*

\*Island installation with a top vent is possible as long as the horizontal portion of the vent system does not exceed 20 feet (6.1 m).



## MQVLB48 Bay Peninsula

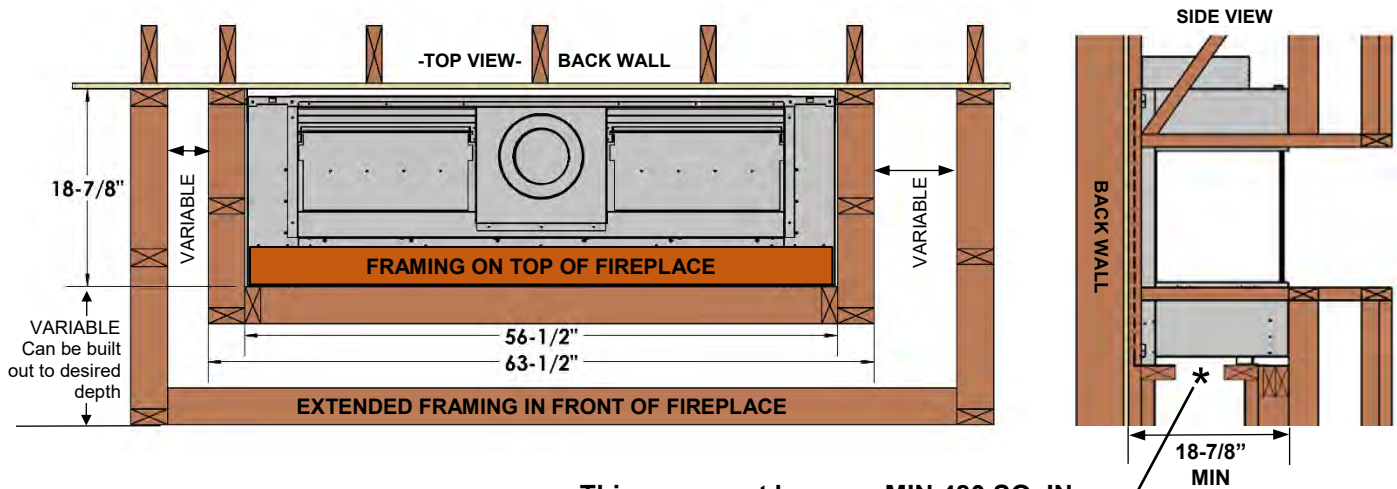
## Fireplace Dimensions



# MQVLB48 Bay Peninsula -Framing

**OPTION A: Framing Attached to Side of Fireplace-** For building out around the fireplace.

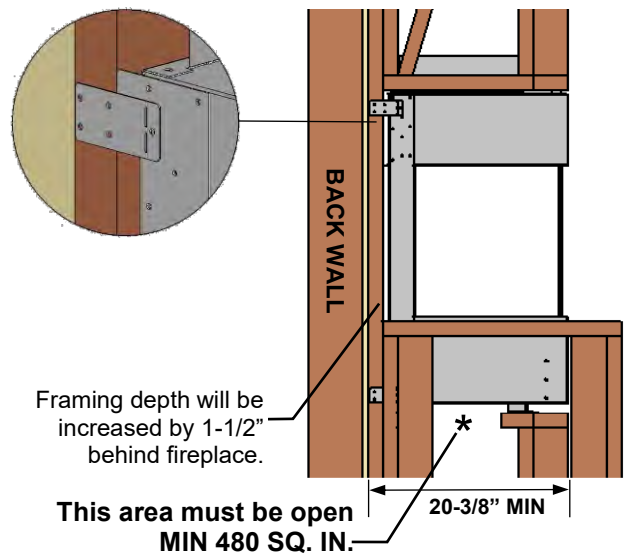
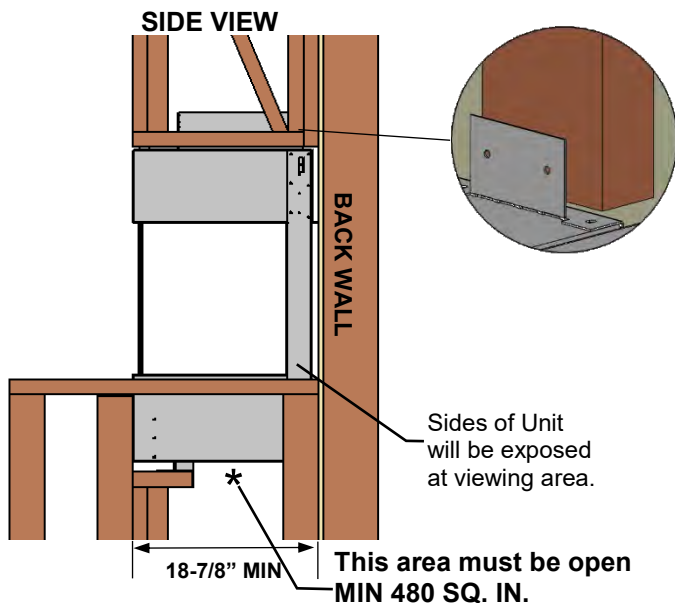
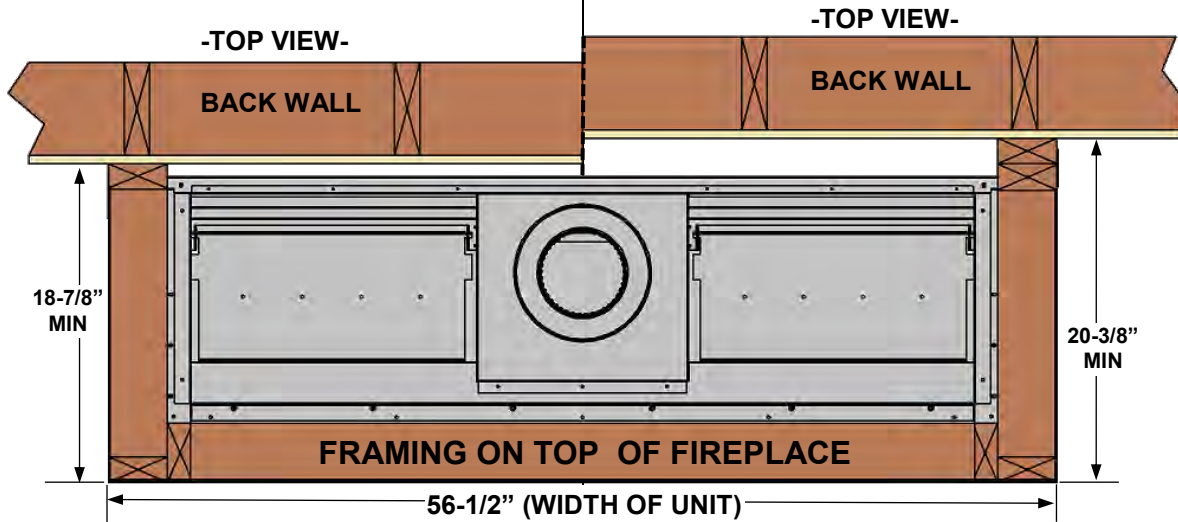
**NOTE:** Appliance and framing structures are not load bearing.



This area must be open MIN 480 SQ. IN.

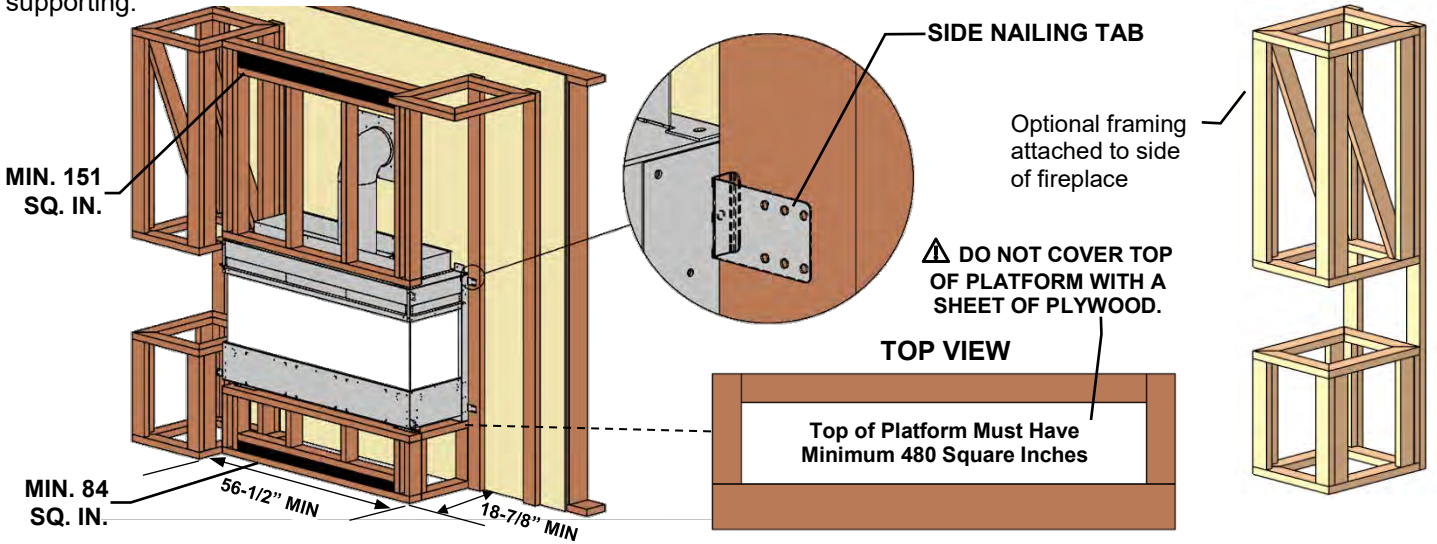
**OPTION B: Framing Attached to Top of Fireplace-** For cantilevered chase. Framing must be self-supporting.

**OPTION C: Framing Attached to Back of Fireplace-** For cantilevered chase. Framing must be self-supporting.

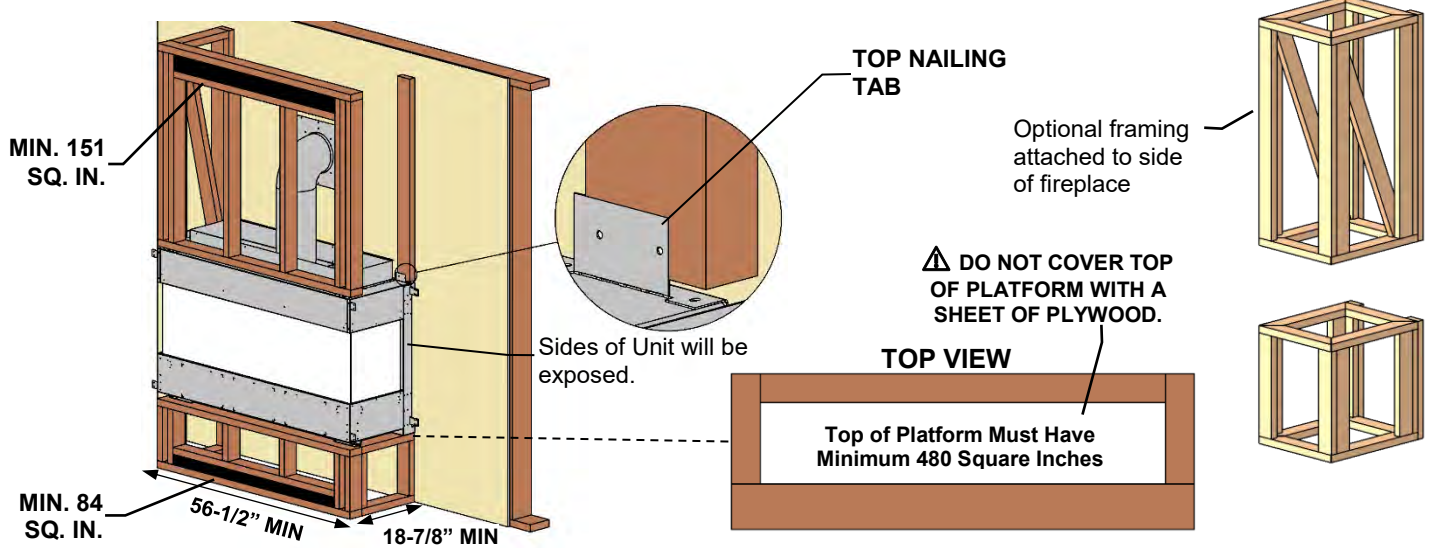


# MQVLB48 Peninsula –Nailing Tabs and Framing

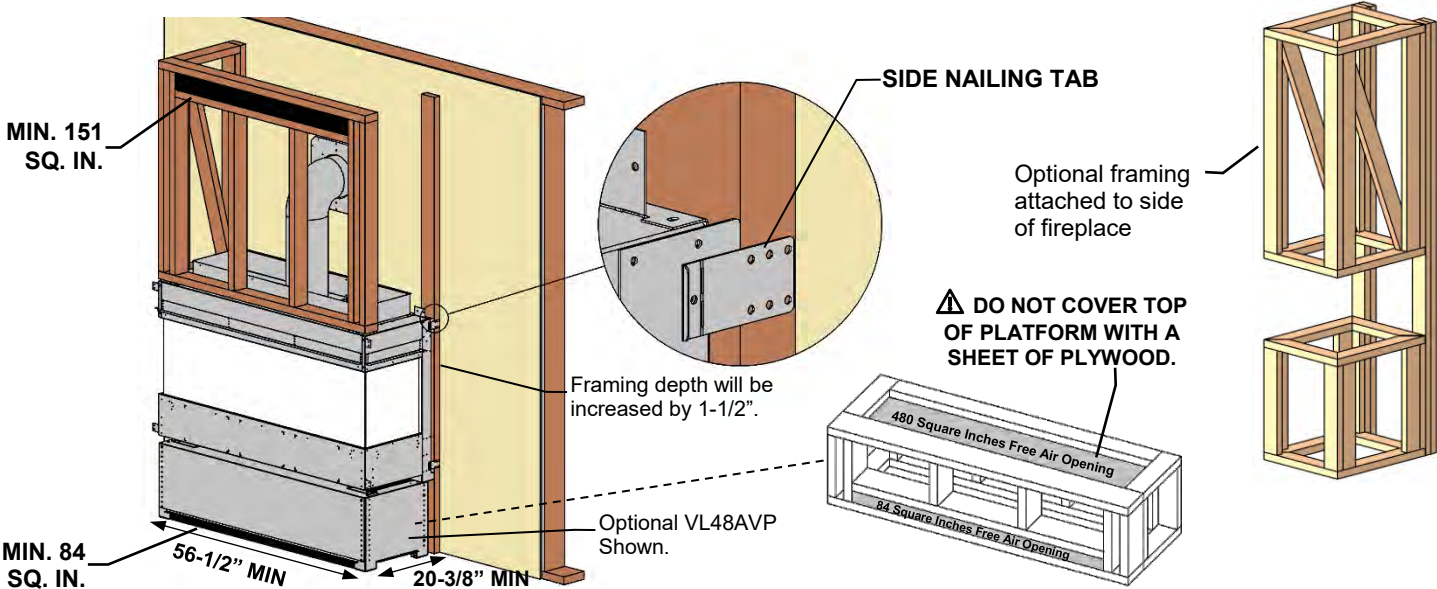
**OPTION A: Framing Attached to Side of Fireplace-** For building out around the fireplace. Framing must be self-supporting.



**OPTION B: Framing Attached to Top of Fireplace-** For cantilevered chase. Framing must be self-supporting.



**OPTION C: Framing Attached to Back of Fireplace-** For cantilevered chase. Framing must be self-supporting.



**MUST BE INSTALLED BEFORE UNIT IS INSTALLED INTO FRAMING.**

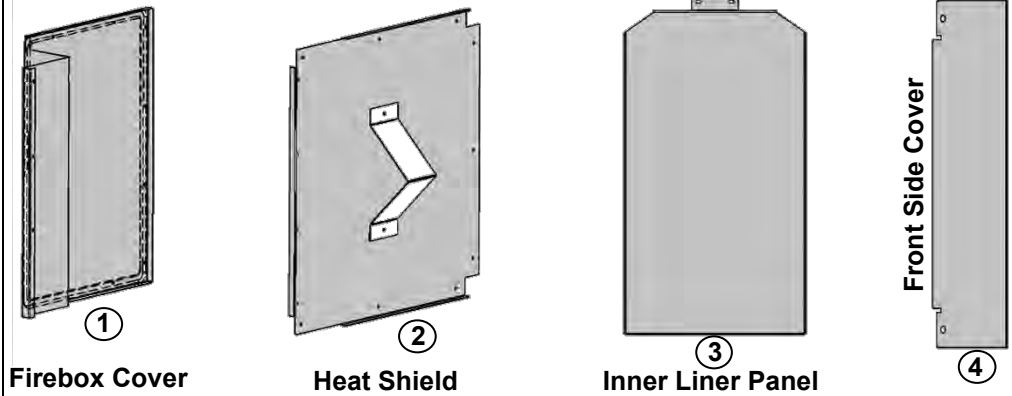
**CORNER KIT CAN BE INSTALLED AT EITHER END OF FIREPLACE.**

**⚠ Warning:** Failure to position the parts in accordance with these diagrams or failure to use only parts specifically approved with this appliance may result in property damage or personal injury.

**Contents of Kit:**

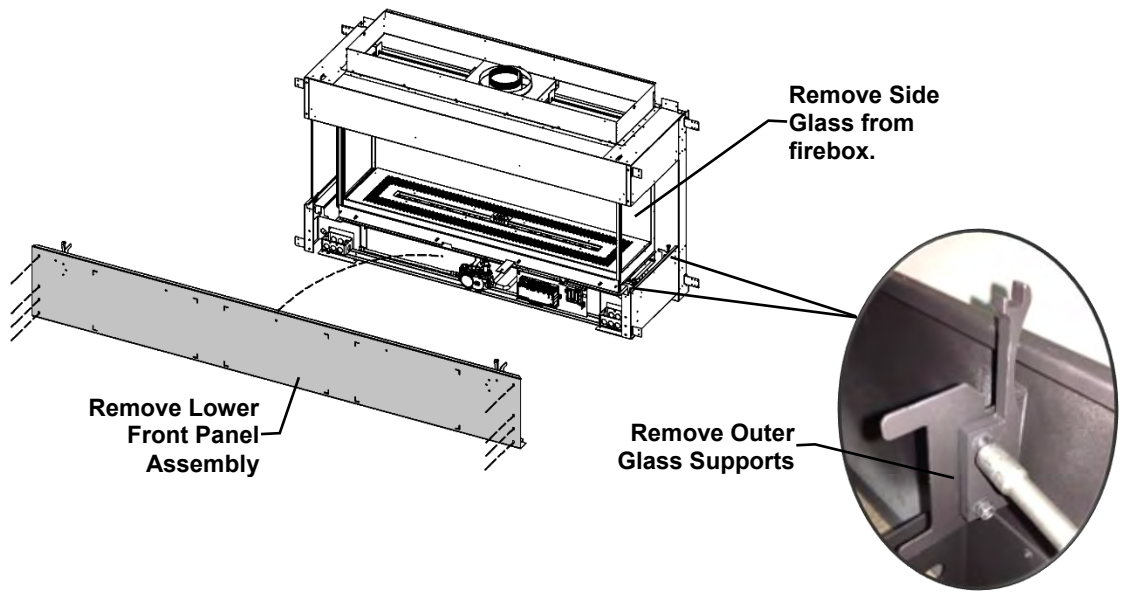
- Firebox Cover with Gasket - ①
- Heat Shield with Standoff - ②
- Inner Liner Panel - ③
- Front Side Cover - ④
- 90ml Tube Millpac
- [Qty 22] 1/2" DT Screws
- [Qty 6] Pan Head Screws

**SHEET METAL COMPONENTS:**

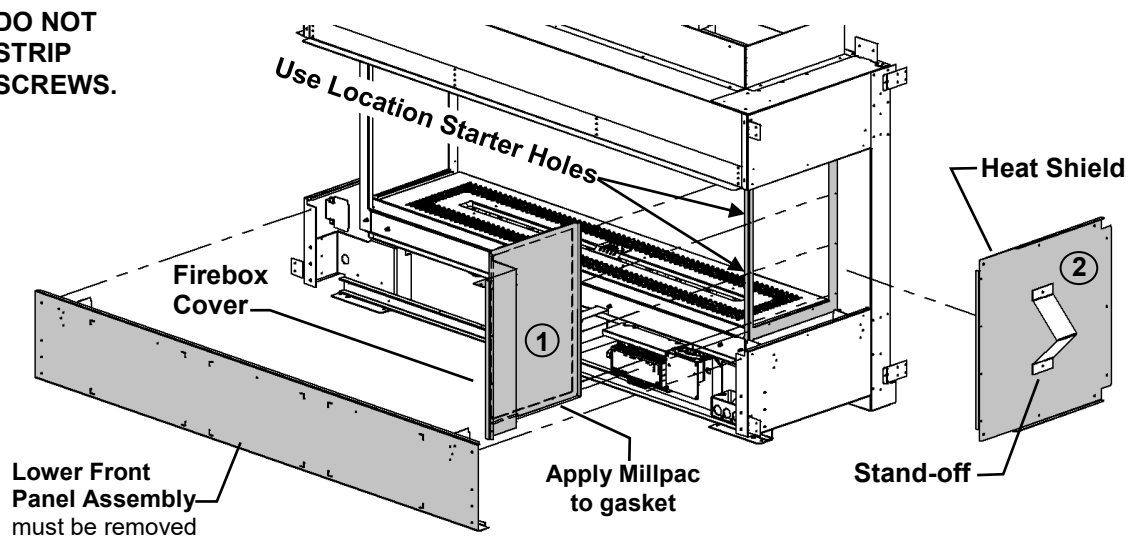


**Procedure:**

1. Remove Lower Front Panel Assembly. Remove Side Glass Panel from firebox (Refer to **Glass Door Installation and Removal**). This side glass will not be reused.
2. Remove **Outer Glass Supports** from side of fireplace. These will not be reused.
3. Apply a small bead of Millpac to **Firebox Cover Gasket**. Insert **Firebox Cover** into place from front of fireplace.
4. Using the 2 **Location Starter Holes** in Front Post of fireplace to position **Firebox Cover**, Fasten to firebox using 1/2" DT Hex Screws.
5. **IF USING PORCELAIN OR FLUTED LINERS:** For Back Corner, [Qty 4] 1/8" pilot holes can be drilled, or screws **must be removed and**



**DO NOT STRIP SCREWS.**



*reinstalled* from the inside corner of the firebox. **IF FIREPLACE IS ALREADY INSTALLED, SIMPLY CUT SCREWS WITH A ROTARY TOOL**

6. Place **Heat Shield** into outside fireplace opening. Fasten with [Qty 13] 1/2" DT Hex Screws. Set Stand-off into position.

7. Install **Inner Liner Panel** inside firebox and secure with [Qty 3] DT Screws

8. Install **Front Side Cover** when installing Glass Front Door. Refer to **Door Installation Instructions**.



9. Reinstall Lower Front Panel Assembly. Discard the [2] Outer Glass Supports as they are not required.

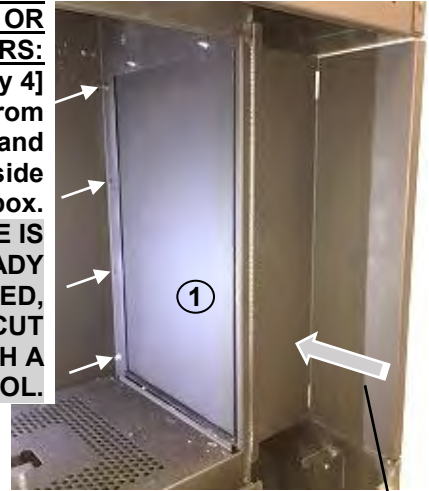
**NOTE:**

VLBCK48 Corner Kit Requires The Same Framing And Clearances As MQVL48 Single Side.

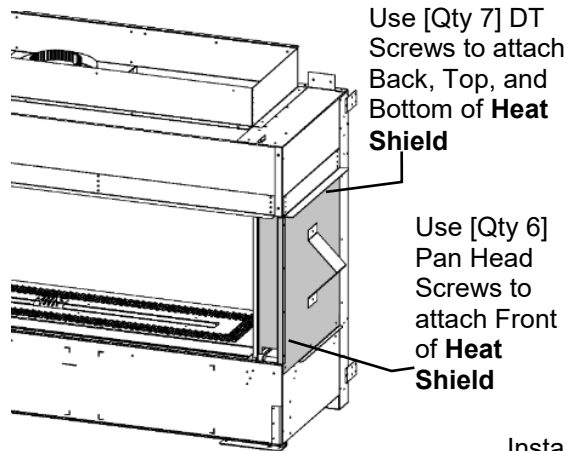


Apply Mill-Pac to Gasket

**IF USING PORCELAIN OR FLUTED LINERS:** Remove [Qty 4] DT Screws from outside and install inside firebox. **IF FIREPLACE IS ALREADY INSTALLED, SIMPLY CUT SCREWS WITH A ROTARY TOOL.**



Slide Firebox Cover Into Place From Front

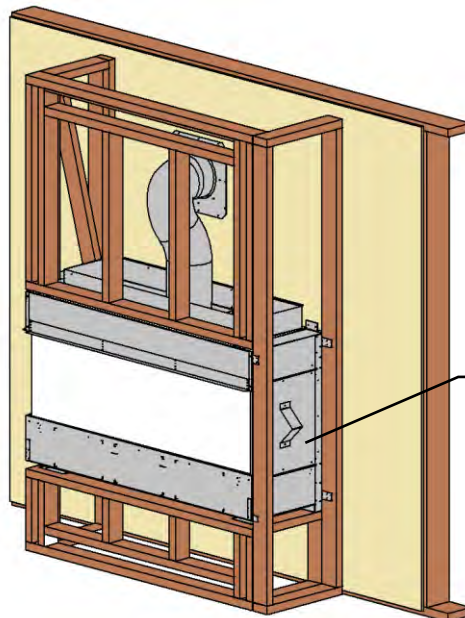
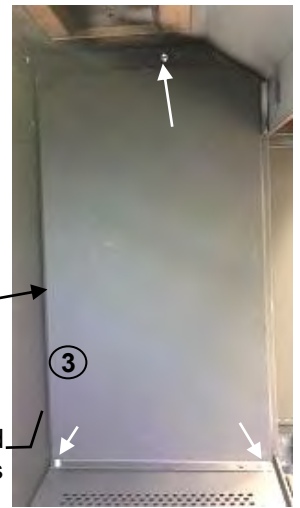


Use [Qty 7] DT Screws to attach Back, Top, and Bottom of **Heat Shield**

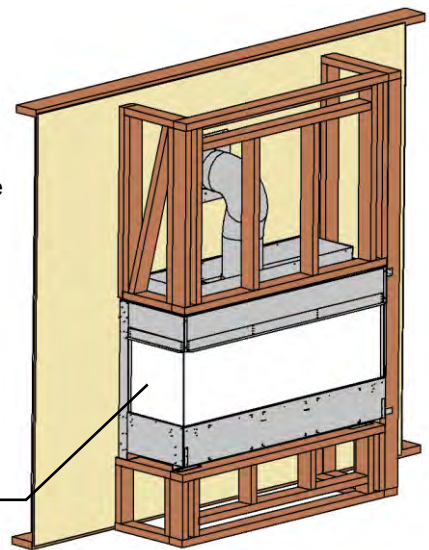
Use [Qty 6] Pan Head Screws to attach Front of **Heat Shield**



Install **Inner Liner Panel** and secure with [Qty 3] DT Screws



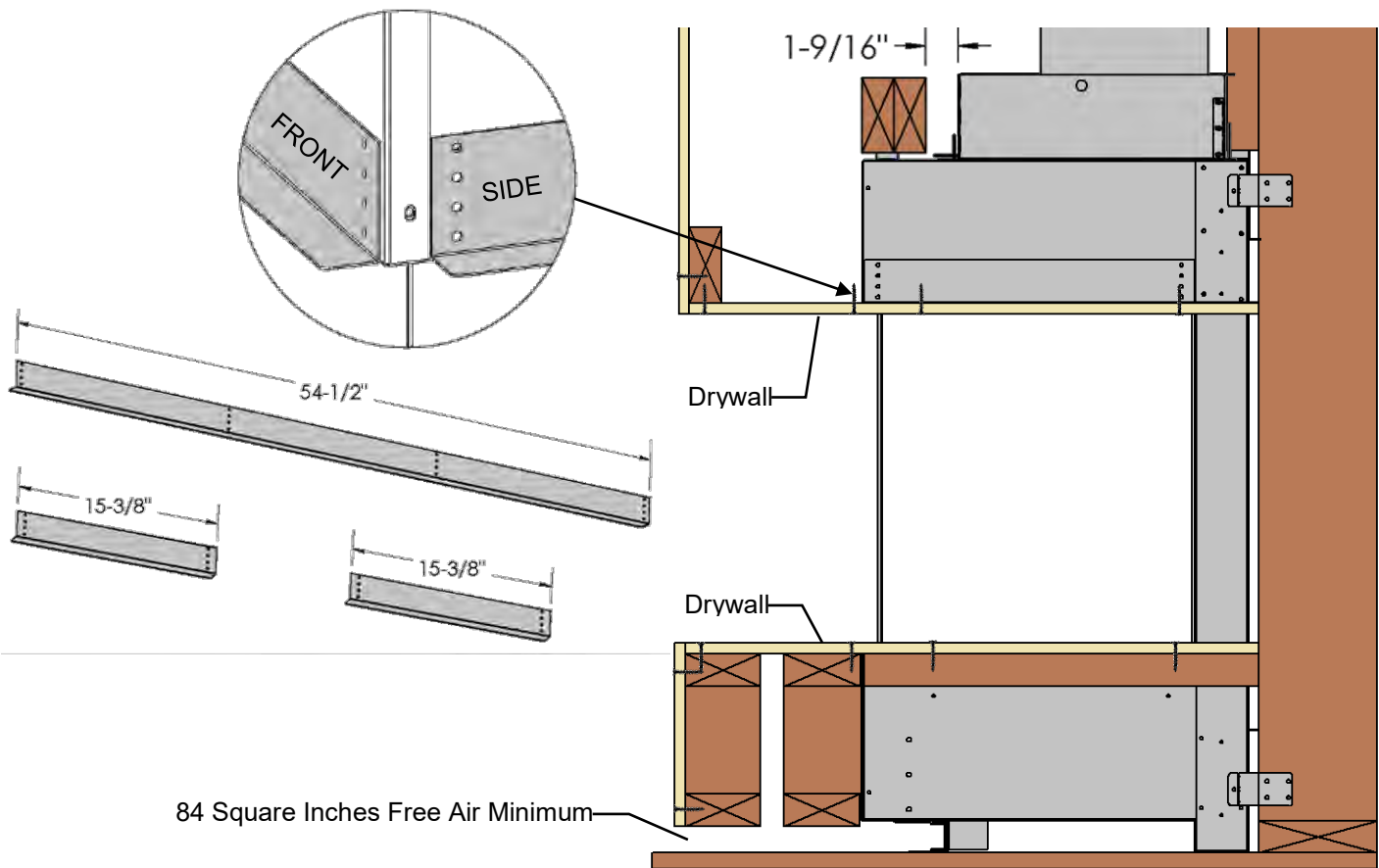
Corner Kit side has the same Installation Clearances as MQVL48 Single Side.



Glass Side

## MQVLB48 Bay Peninsula

## - Using Tile Lip



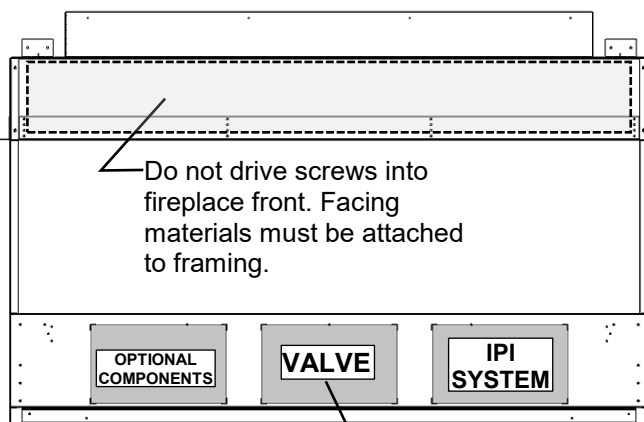
## MQVLB48 Bay Peninsula

## -Facing Requirements

Unit may be covered with combustible material (i.e. drywall) up to the fireplace opening.

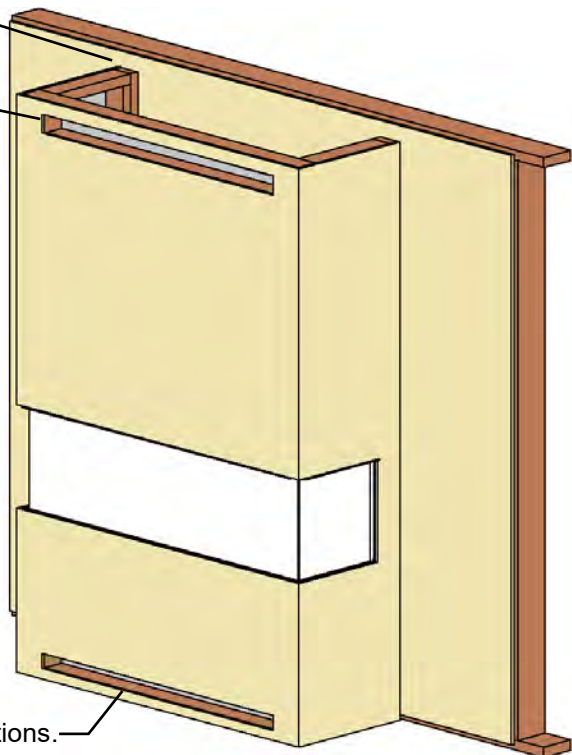
**Option A:** Open Chase at Ceiling  
Minimum 151 Sq. Inches.

**Option B:** Vent Slot in Chase MAX 2" Below Ceiling  
Minimum 151 Sq. Inches.



Do not drive screws into these highlighted areas.

Lower Vent Slot (MIN 84 Sq. In.) is REQUIRED for ALL Installations.

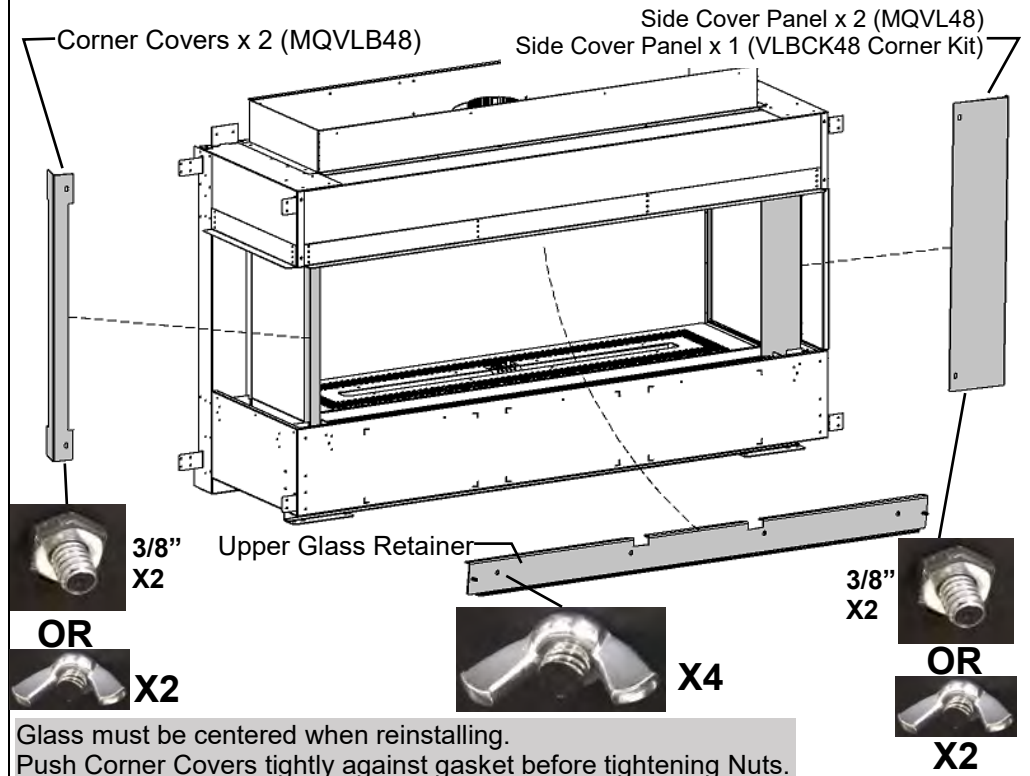


## MQVL48 / MQVLB48 Glass Door Front Removal / Installation

### To remove Glass Door Front:

- MQVL48:** Remove [2ea] 10-24 wing nuts (or 3/8" nuts) to remove the Side Cover Panels.  
**MQVLB48:** Remove [2ea] 10-24 wing nuts (or 3/8" nuts) to remove the Corner Covers from MQVLB48 Peninsula Bay fireplace. For **Corner Kits** see **MQVL48** above.
- Remove the [Qty 4] Wing Nuts on the Upper Glass Retainer above the Glass Door Front and remove the Retainer.
- Loosen the [Qty 4] Wing Nuts on the Lower Glass Retainer but do not remove. Glass Door Front can now be lifted out of the fireplace.
- Installation is the reverse of these steps.

**NOTE:** Do not over tighten nuts as glass could break.



## MQVLB48 Peninsula Bay

## Glass Door Side Removal

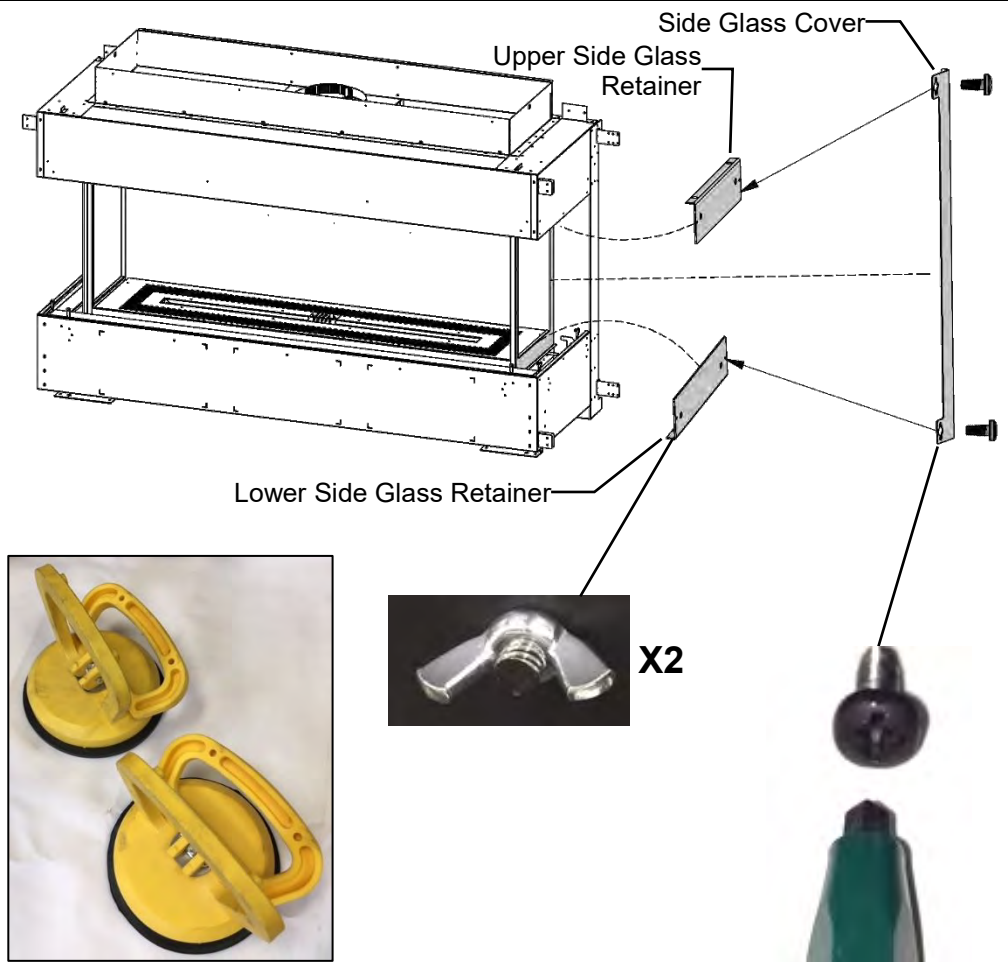
### To remove Glass Door Side (for Corner Kit Installation):

- Remove Glass Door Front as described above.
- Use a screwdriver to remove the Side Glass Cover.
- Remove the [Qty 2] Wing Nuts on the Upper Glass Retainer and remove the retainer.
- Remove the Glass Door Side.
- Remove the [Qty 2] Wing Nuts on the Lower Glass Retainer and remove the retainer.

Refer to VLBCK48 Corner Kit Installation Instructions to install Corner Kit.

**NOTE:** None of the components from the Side Glass Door will be reused when the Corner Kit is installed.

Use caution when working with glass. Wear gloves.  
Suction Cups Recommended.





## Door and Glass Information MQVL48 / MQVLB48

### Glass Cleaning

It will be necessary to clean the glass periodically. During startup, condensation, which is normal, forms on the inside of the glass, and causes dust, lint etc. to cling to the glass surface.

Also, initial paint curing can deposit a slight film on the glass. It is therefore recommended that initially the glass be cleaned two or three times with a fireplace glass cleaner. After that, the glass should be cleaned two or three times a season depending on the circumstances.



### Cautions and Warnings

- Do not clean when the glass is hot.
- The use of substitute glass will void all product warranties (see **Glass Replacement** in this section).
- Care must be taken to avoid breakage of the glass.
- Do not operate this fireplace without the glass front or with a broken glass front.
- Do not strike or abuse the glass.

### Glass Replacement - Firebox

Only Robax ceramic or coated Neoceram glass may be used for replacement for all MQVL48 / MQVLB48 Models. Glass must be minimum 5mm thick. **Be sure to purchase glass from an authorized dealer.**

To replace glass, remove old gasket and clean glass. Peel backing from new gasket and install as shown below.

**Use caution when working with glass. Wear gloves.  
Suction Cups Recommended.**

**Removal of the Glass Front:** Refer to *Glass Door Front Removal / Installation* section of this manual.

1. Remove nuts with a 3/8" wrench.
2. Remove Glass Door.

**Removal of the Glass Side Doors:** Refer to *Glass Door Side Removal* section of this manual.

1. Remove nuts with a 3/8" wrench.
2. Remove Glass Door.

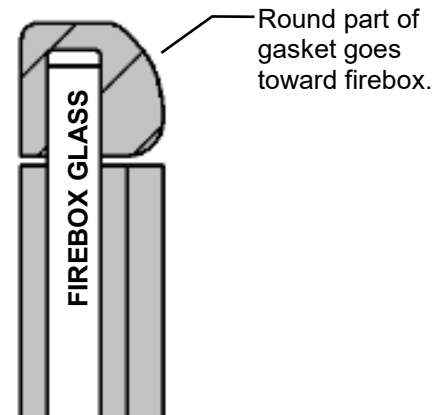
### Glass Replacement – Safety Glass Barrier

Only Tempered Low E Glass may be used, and coated side of glass must face toward firebox.

**Be sure to purchase glass from an authorized dealer.**

Refer to *Glass Safety Barrier Installation / Removal* section of this manual.

**Use caution when working with glass. Wear gloves.  
Suction Cups Recommended.**

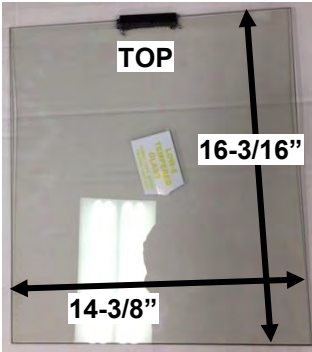


Suction Cups Recommended



# MQVL48 / MQVLB48– Glass Safety Barrier Installation / Removal

INSTALL SIDE GLASS FIRST. DECAL ON GLASS SHOULD FACE OUTSIDE.



SIDE GLASS PANELS [QTY 2]

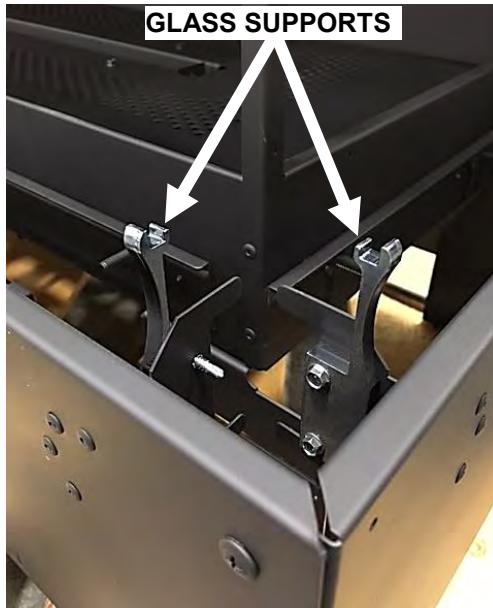


FRONT GLASS PANEL [QTY 1]

INSERT GLASS INTO CLIPS  
IN TOP OF FIREPLACE



GLASS SUPPORTS



PLACE GLASS INTO GLASS  
SUPPORTS. REPEAT FOR  
OTHER SIDE.

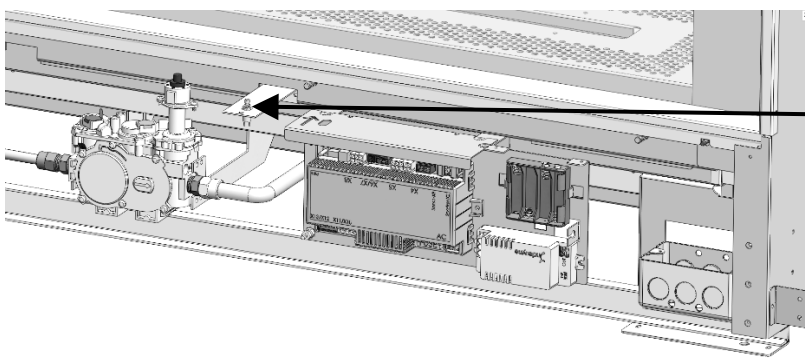
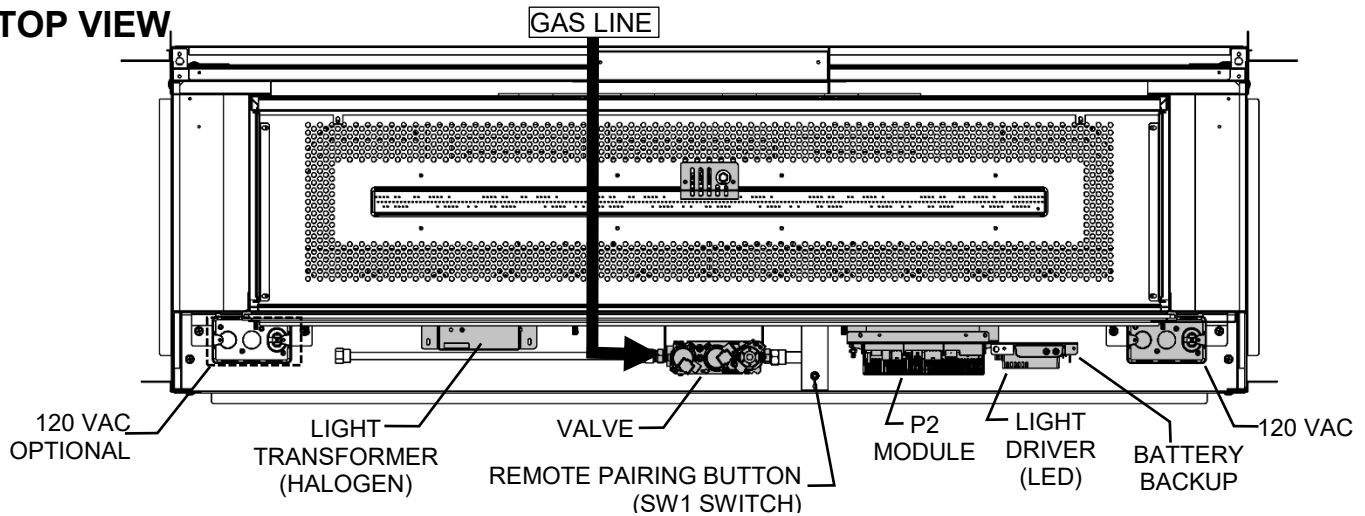


REPEAT PROCEDURE FOR FRONT GLASS. TWO PEOPLE AND / OR SUCTION CUPS ARE RECOMMENDED.



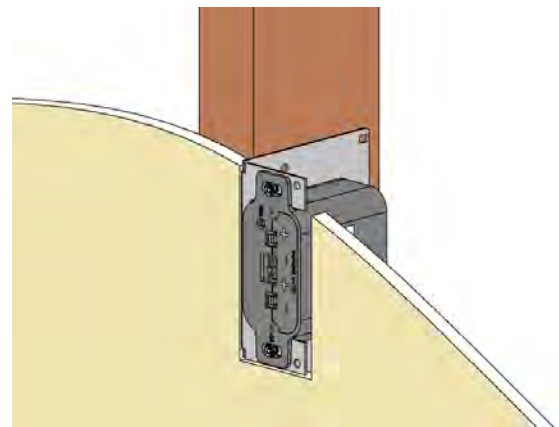
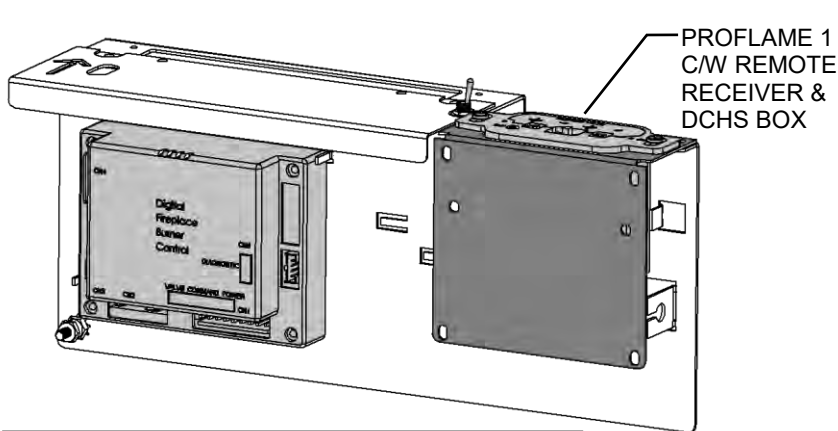
# MQVL48 / MQVLB48 Component Locations

## TOP VIEW



REMOTE PAIRING BUTTON (SW1 SWITCH)

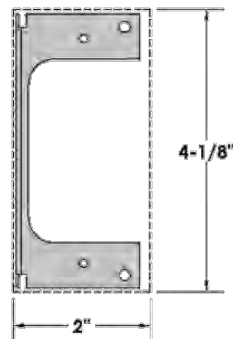
## DCHS Cover for Optional Remote Receiver- Millivolt or Proflame 1 Systems Only



### Wall Mount Option

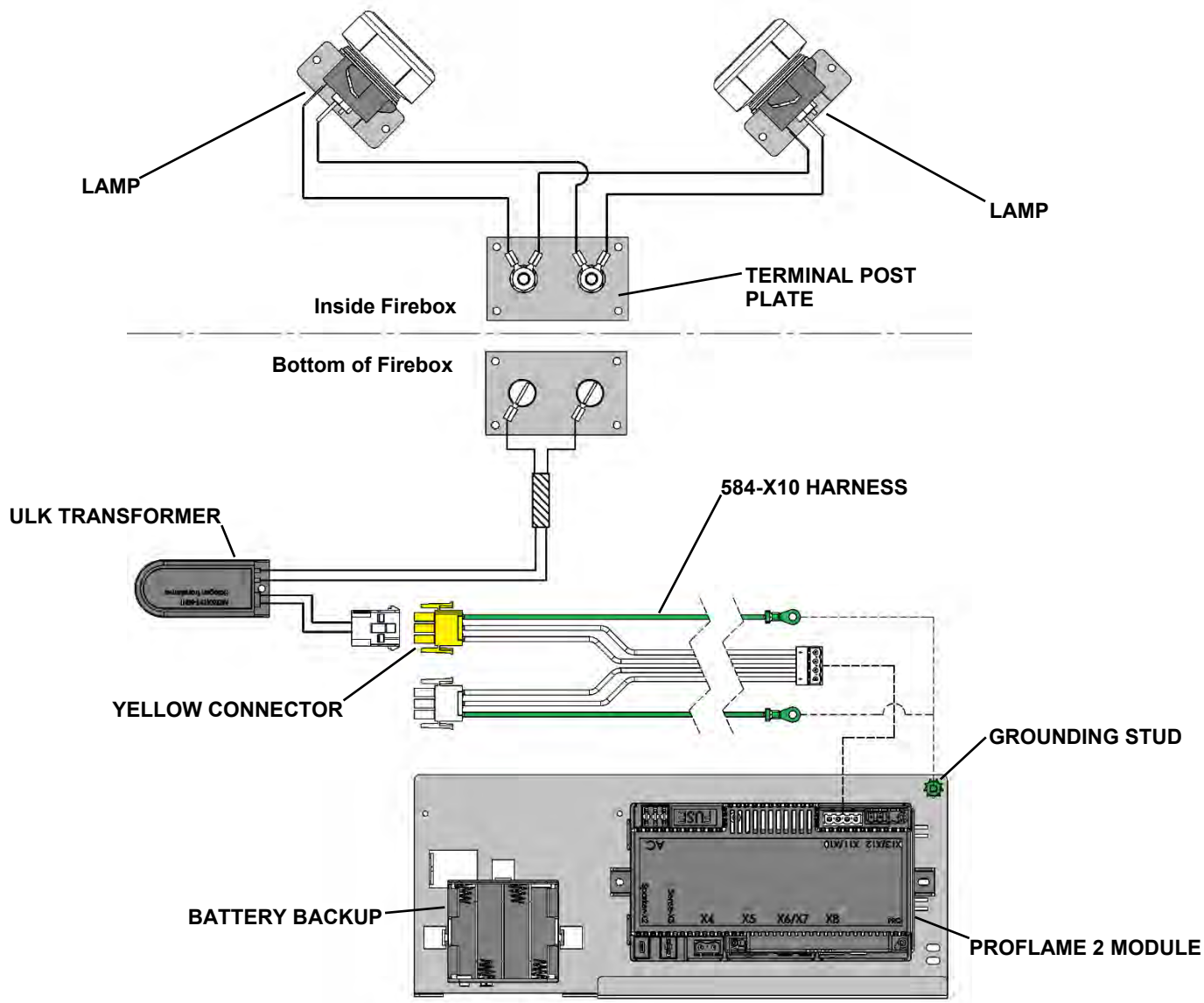
10ft. Extension Harness (Part No. 1001-P904SI) required.

- The Remote Receiver can be mounted on a vertical wall stud using the DCHS as a mounting bracket.
- Ensure that the face is protruding 1/2" so that the face plate will be flush on the face of the wall.
- Drywall cutout size is 2" wide by 4-1/8" tall.
- Must be installed within 10ft of valve assembly (6ft recommended).

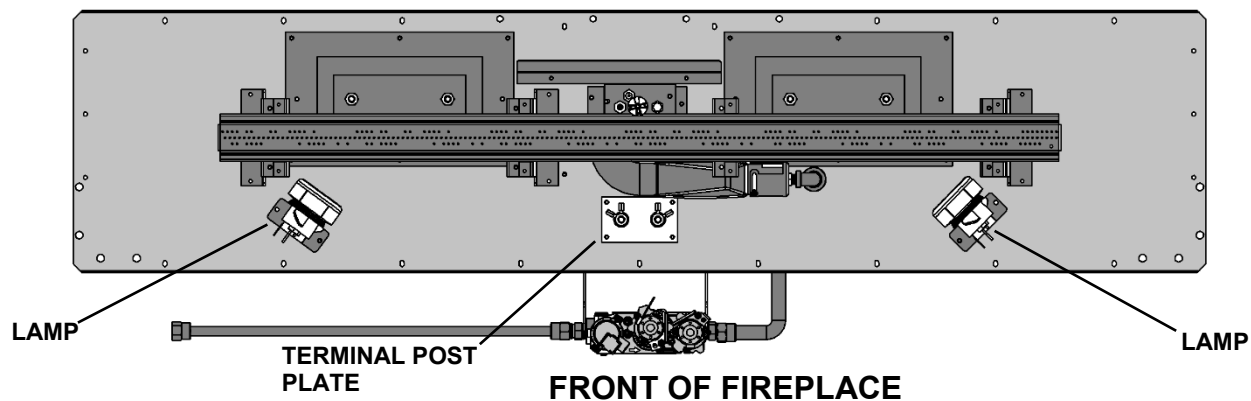


# MQVL48 / MQVLB48 Halogen Lights

Please follow the current ANSI/NFPA 70 National Electrical Code in the USA and CAN/CSA C22.1 Canadian National Electrical Code in Canada.

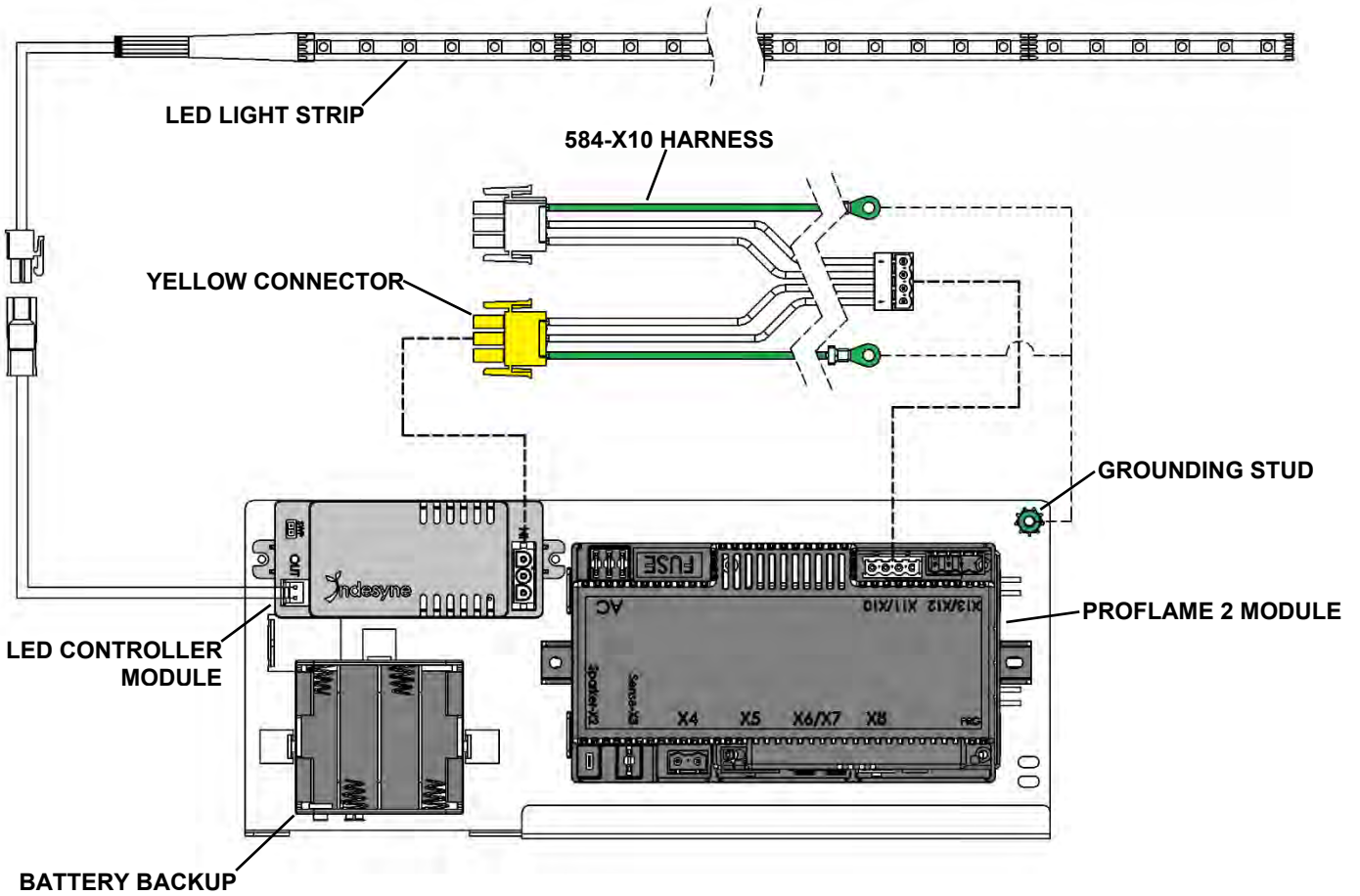


## BURNER PAN – TOP VIEW

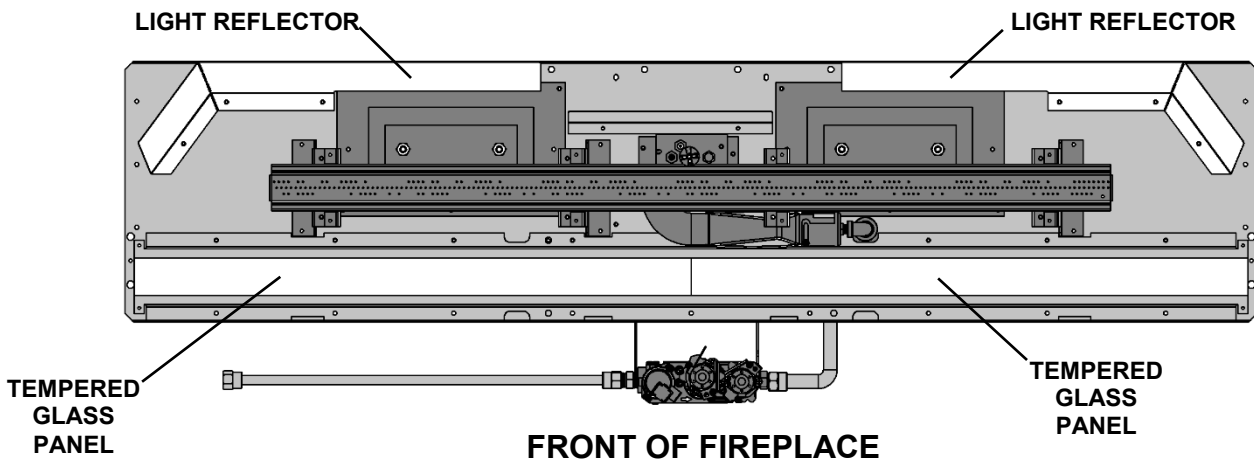


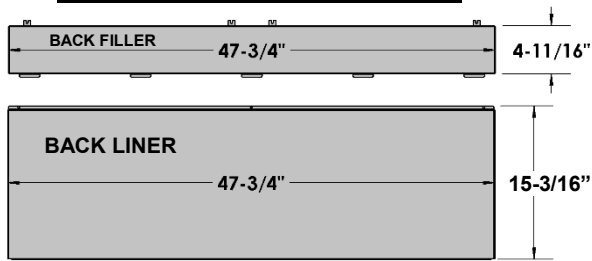
Please follow the current ANSI/NFPA 70 National Electrical Code in the USA and CAN/CSA C22.1 Canadian National Electrical Code in Canada.

**LED Light Strip is Located Under the Firebox.**

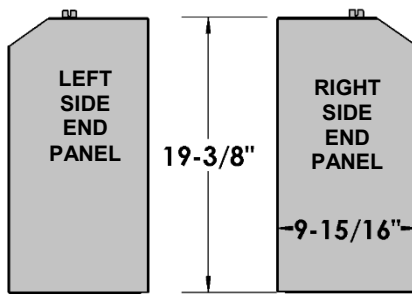


**BURNER PAN – TOP VIEW**



**-VL48PLB- BACK PANEL KIT**

Also Included: [QTY 4] DT Screws

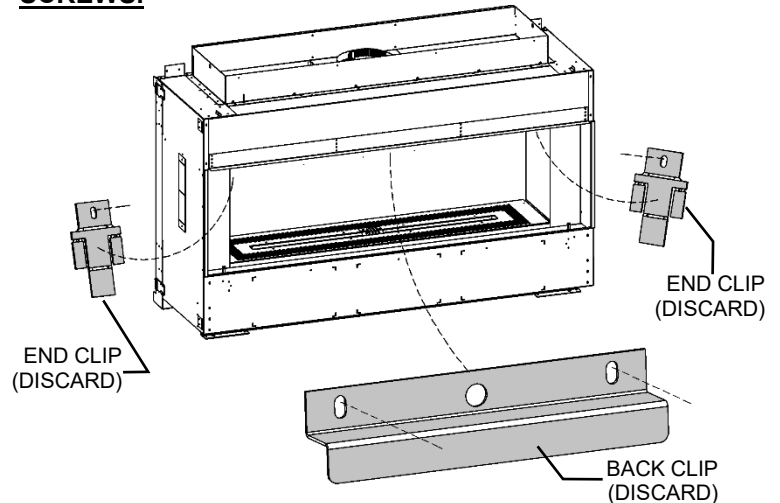
**-VL48PLE- END PANEL KIT**

Also Included: [QTY 4] DT Screws

**NOTE:** If using VLBCK48 CORNER KIT, DO NOT USE Inner Liner Panel from Corner Kit. Remove if installed.

**STEP ONE:**

Remove Liner Clips and screws from inside of firebox with a 1/4" hex driver. Discard these Liner Clips but **KEEP SCREWS.**

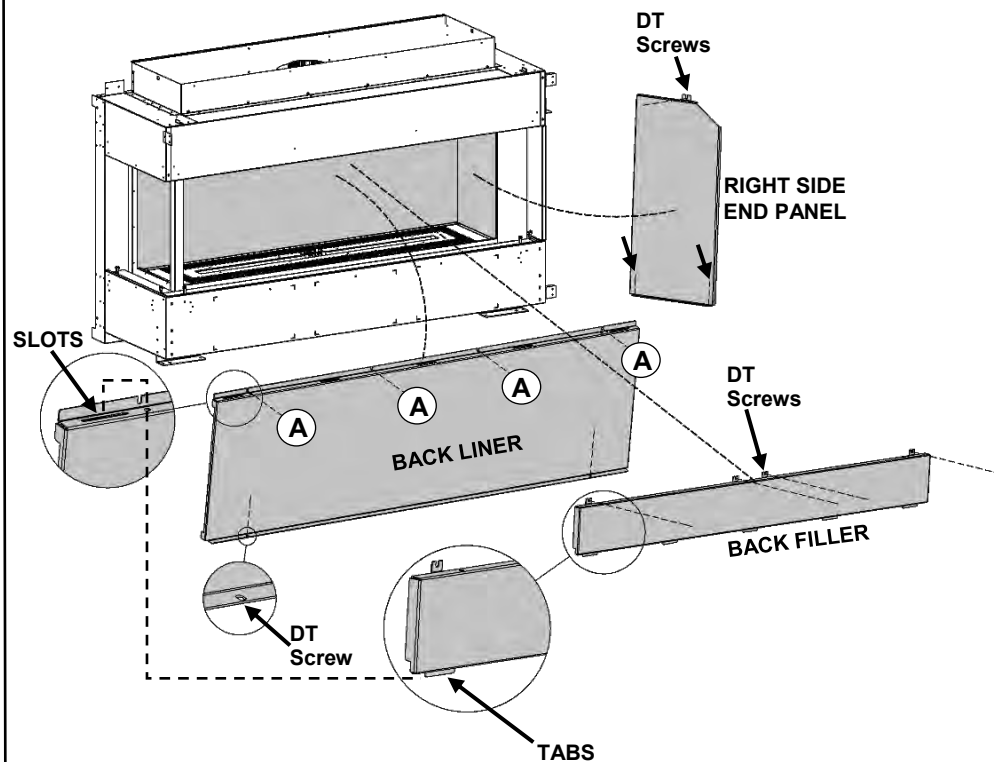
**INSTALLING VL48PLB:****STEP TWO:**

Install **BACK LINER**. Attach with [Qty 2] DT Screws on bottom.

**NOTE:** If you are NOT using VL48PLE end panels, Drive [Qty 4] DT Screws into firebox through Screw Holes at top of Back Liner See **(A)** at right.

**STEP THREE:**

Install **BACK FILLER** on top of **BACK LINER** by inserting **TABS** into **SLOTS**. Fasten with [Qty 4] DT Screws.

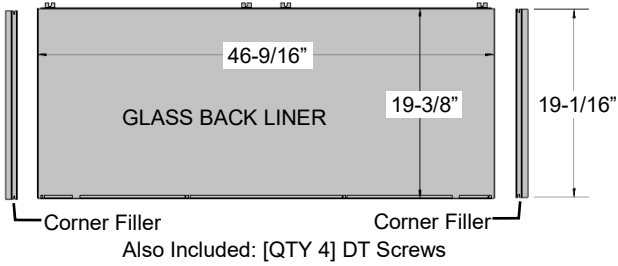
**MQVLB48 WITH VLBCK48 CORNER KIT SHOWN****INSTALLING VL48PLE:****STEP FOUR:**

Install Side Liners with [Qty 3] DT Screws.

**NOTE:** if you are using VLBCK48 CORNER KIT, only one End Panel will be used.

**⚠ Note: Warping and Discoloration of Porcelain or Painted Metal Liners Is Not Covered Under Warranty.** Both Porcelain and Painted Metal Liners may discolour and warp during normal operation of your appliance. This is normal, and not considered a defect.

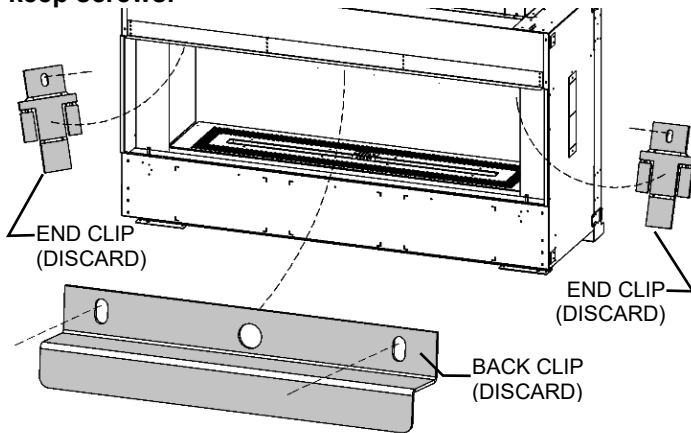
**-MQVL48RGB - BACK PANEL KIT**



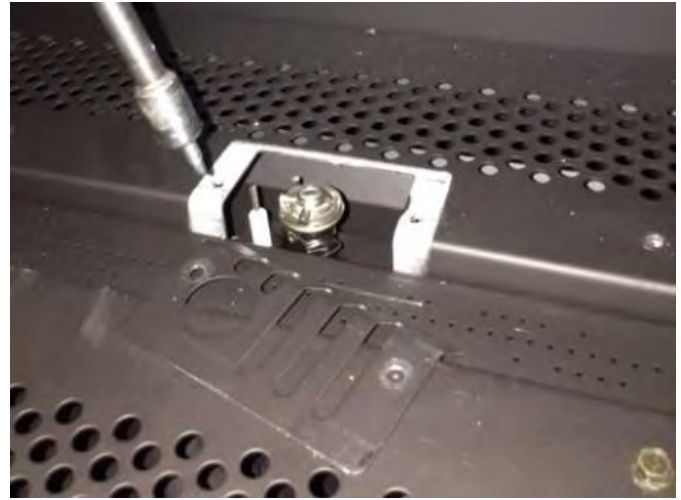
**⚠ CAUTION – NOT TEMPERED GLASS- EXTREMELY FRAGILE – HANDLE WITH CARE**

**NOTE:** If using VLBACK48 CORNER KIT and you are **NOT** installing a Glass End Panel, install Inner Liner Panel from Corner Kit before Glass Back Liner. However, if you **ARE** installing a Glass End Panel, do not install Inner Liner Panel from the Corner Kit.

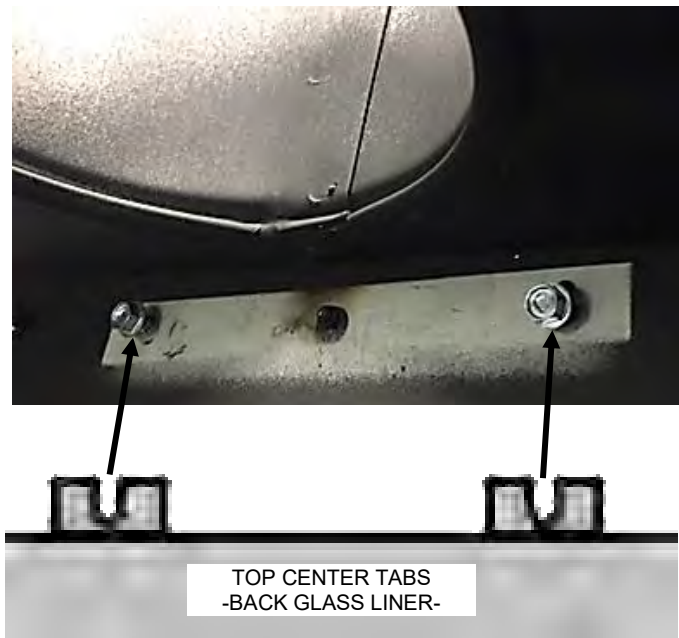
**STEP ONE:** Remove Liner Clips and screws from inside of firebox with a 1/4" hex driver. Discard these Liner Clips but **keep screws**.



**STEP TWO:** Remove Screws from False Bottom and Pilot Shield. Do **NOT** discard screws.



**STEP THREE:** Reinsert screws from Back Clip *halfway* into holes under flue in Firebox. These screws will engage center tabs on liner.



**STEP FOUR:** -Suction Cups Recommended- Engage Center Tabs of Glass Back Liner onto Screws under flue in Firebox. **Do not push back onto Firebox wall yet.**

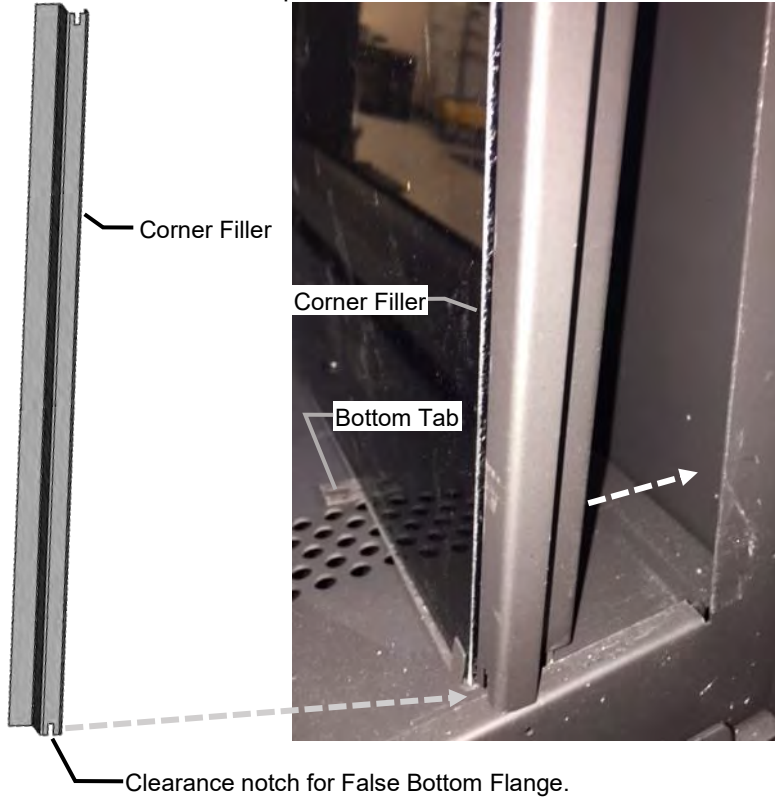
**Caution-**Do Not Damage Thermopile on Millivolt Units.-



-CONTINUED ON NEXT PAGE-

**STEP FIVE:** Insert **Corner Fillers** if **NOT** using MQVL48RGE End Panels:

IF YOU ARE **NOT** INSTALLING MQVL48RGE End Panels, Insert Corner Fillers behind sides of Glass Back Panel as shown and push Glass Back Panel into place.



**NOTE:** If using VLBCK48 CORNER KIT and you are **NOT** installing a Glass End Panel, Only One Corner Filler will be used, as the Inner Liner Panel from Corner Kit is at the other end.

IF YOU **ARE** INSTALLING MQVL48RGE End Panels, simply push Glass Back Panel into place against firebox.

**STEP SIX:** Tighten Screws beneath flue, replace [Qty 2] DT screws firebox through top end tabs, and Fasten bottom tabs with [Qty 2] DT Screws. Replace screws in False Bottom and replace Pilot Shield.

You are now ready to install MQVL48RGE if desired. Refer to instructions included in MQVL48RGE kit.

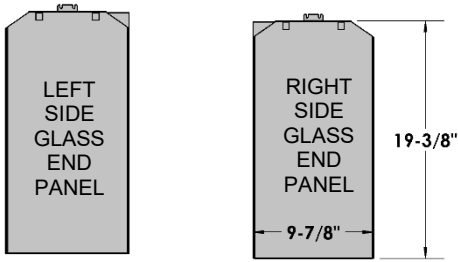


**⚠ Note: Discoloration of Glass Liners Is Not Covered Under Warranty.**

Glass Liners may discolour during normal operation of your appliance. This is normal, and not considered a defect.



**-MQVL48RGE - END PANEL KIT**



Also Included: [QTY 4] DT Screws

**⚠ CAUTION - NOT TEMPERED GLASS- EXTREMELY FRAGILE - HANDLE WITH CARE**

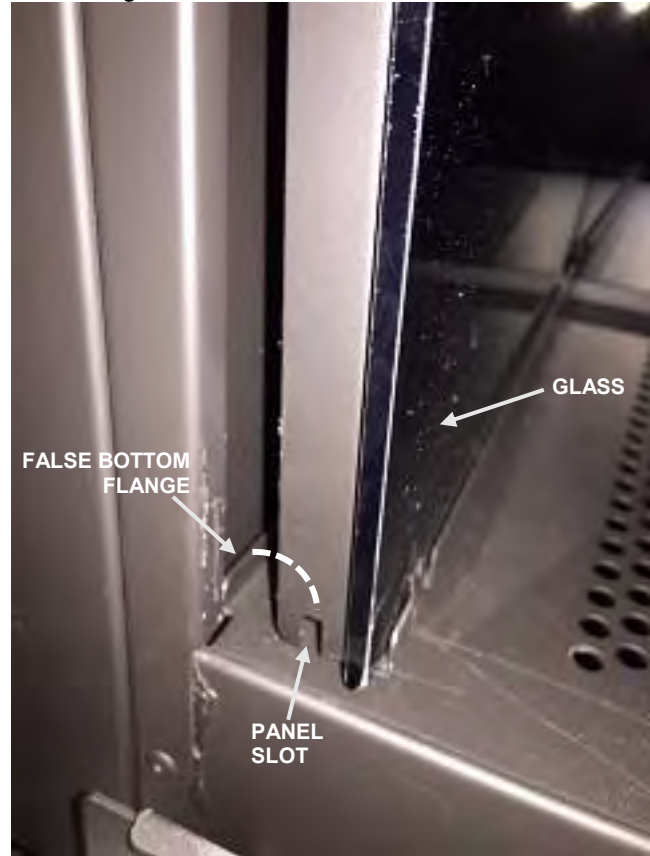
**NOTE:** MQVL48RGB must be installed first. Refer to instructions included in MQVL48RGB kit.

**NOTE:** If using VLBC48 CORNER KIT and you are **NOT** installing a Glass End Panel, install Inner Liner Panel from Corner Kit before Glass Back Liner. However, if you **ARE** installing a Glass End Panel, do not install Inner Liner Panel from the Corner Kit.

**STEP ONE:** Insert Left Panel into firebox. Tilt top of panel against left side wall of firebox.



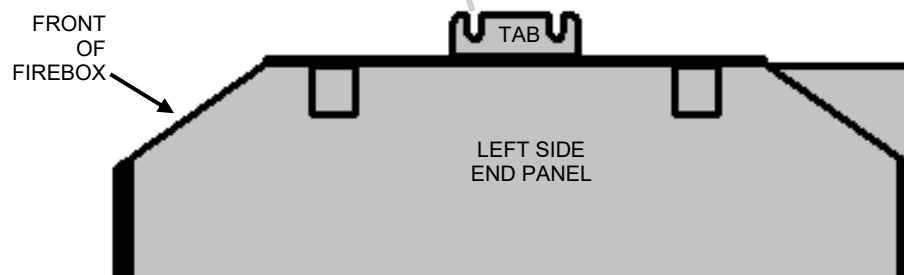
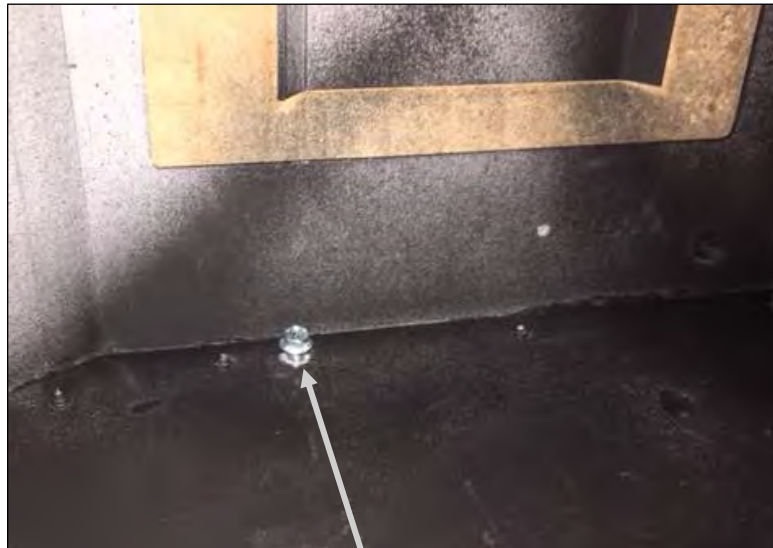
**STEP TWO:** Lift panel in order to place slot in End Panel over Flange on False Bottom.



CONTINUED ON NEXT PAGE


**STEP THREE:**

Engage Front Slot of Tab with DT Screw in side wall of firebox. There is no bottom attachment Screw.

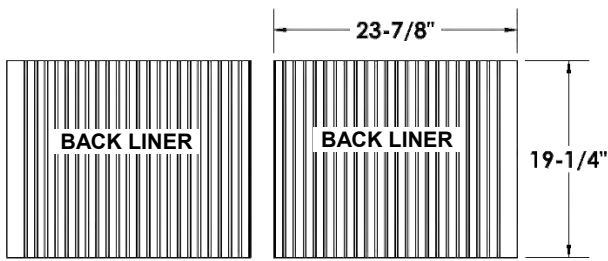


Repeat actions for other side.

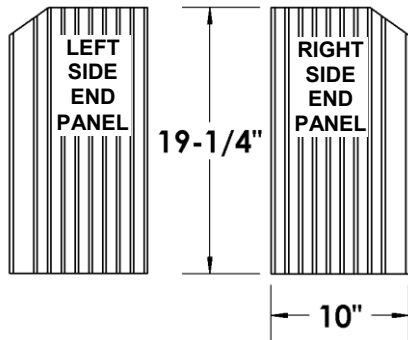
**NOTE:** if you are using *VLBCK48 CORNER KIT*, only one End Panel will be used.

 **Note: Discoloration of Glass Liners Is Not Covered Under Warranty.**  
Glass Liners may discolour during normal operation of your appliance.  
This is normal, and not considered a defect.

**-MQVL48RLFB- BACK LINER KIT**



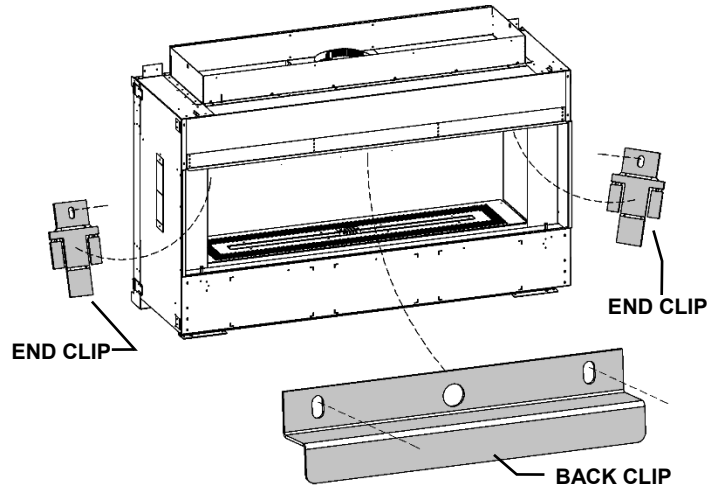
**-MQVL48RLF- END LINER KIT**



**NOTE:** If using **VLBCK48 CORNER KIT**, remove *Inner Liner Panel* from Corner Kit if installed.

**STEP ONE:**

Remove Liner Clips from inside of firebox with a 1/4" hex driver.



**INSTALLING MQVL48RLFB:**

**STEP TWO:**

Install **BACK LINERS**. Replace *Back Clip* with [Qty 2] DT Screws.

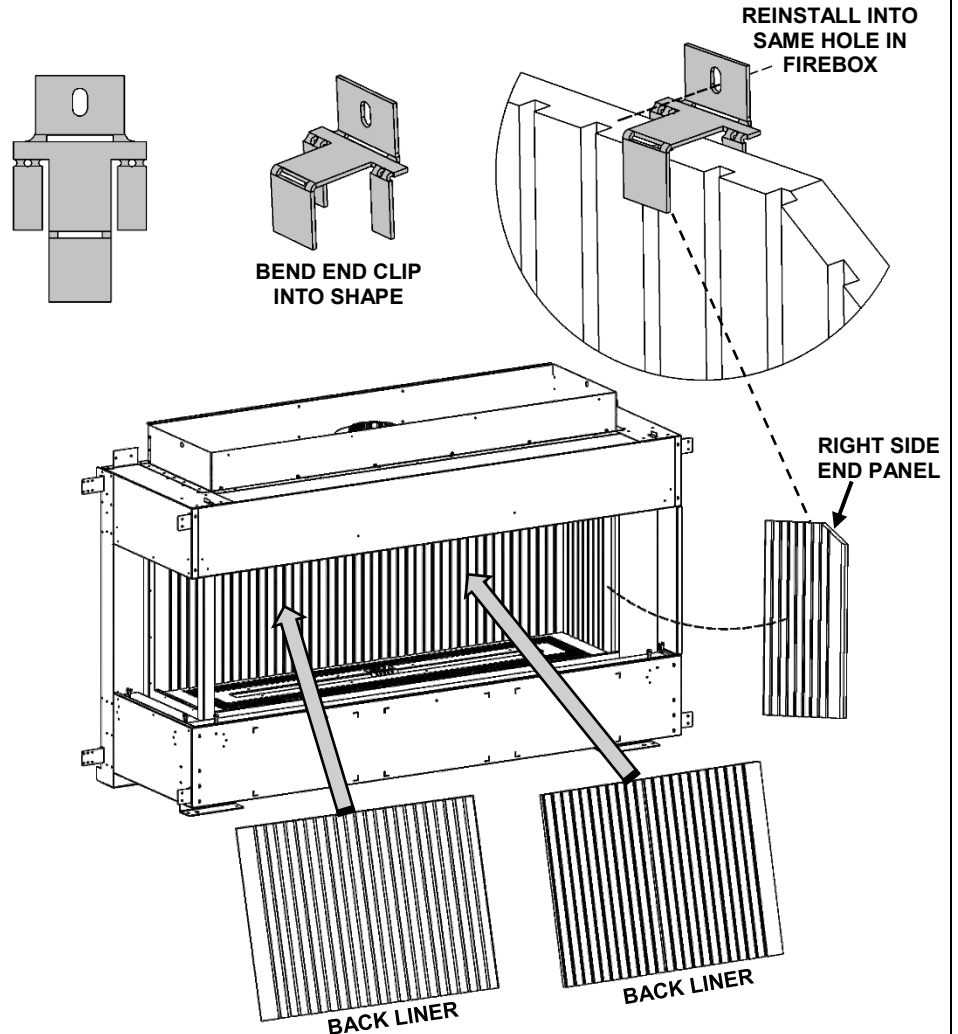
**INSTALLING MQVL48RLF:**

**STEP THREE:**

Install Side Liners. Replace *End Clips* with [Qty 2] DT Screws.

**NOTE:** if you are using **VLBCK48 CORNER KIT**, only one **End Panel** will be used.

**MQVL48 WITH VLBCK48 CORNER KIT SHOWN**



**⚠ Note: Discoloration of Liners Is Not Covered Under Warranty.**

Liners may discolor during normal operation of your appliance. This is normal, and not considered a defect.

The following Accessories are available through MQ Dealers only.

ACCESSORY ITEM	DESCRIPTION
MQG5W	Decorative Glass 1/2" White
MQG5A	Decorative Ember Glass Cobalt Blue
MQG5B	Decorative Ember Glass - Black
MQ46D	Driftwood Log Set- 3pcs.
MQROCK2	Rock Set Natural
MQROCK3	Rock Set Multi-Color
MQRBD1	Driftwood/Rocks, 4 ea.
MQSTONE	Decorative Stones
MQEMBER	Glowing Embers

**• GLASS (MQG5W, MQG5C, MQG5A, MQG5B)**

If you wish to use this media evenly spread the glass embers onto the false bottom and burner. Ensure the glass embers do not excessively overlap as this will affect the flame pattern. Use care when placing glass embers near the pilot area so as not block or have the glass fall over the crossover holes from the pilot to the burner, as delayed ignition can occur.

The following types of glass are approved:

- 1/2" Ember Glass Material from American Fireglass.

Maximum amount: Natural Gas is 20 lbs, Propane units 20 lbs.

- Liquid Glass from Firegear.

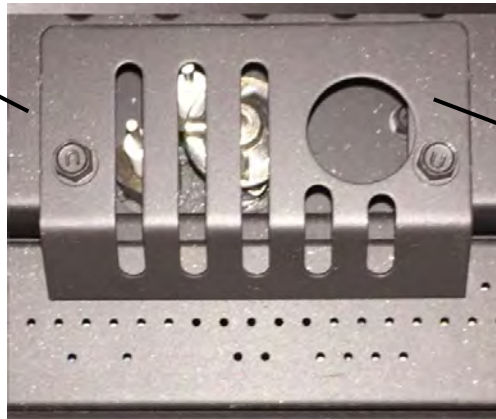
Maximum amount: Natural gas is 20 lbs, not recommended for Propane appliances.

Use of any other glass can alter the performance of the unit and is not covered under warranty.

Discoloration of glass media may occur if placed on the burner, this is not covered under warranty.



Pilot Area Must Not Be Covered



\*Pilot Shield should be visually inspected monthly for signs of deterioration due to flame exposure. Replace if necessary.

**• MQ46D Driftwood Log Set- 3pcs.**



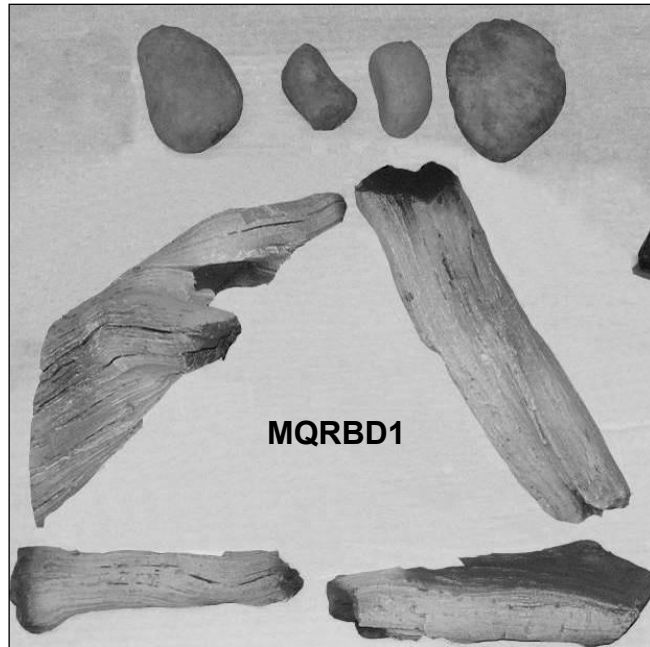
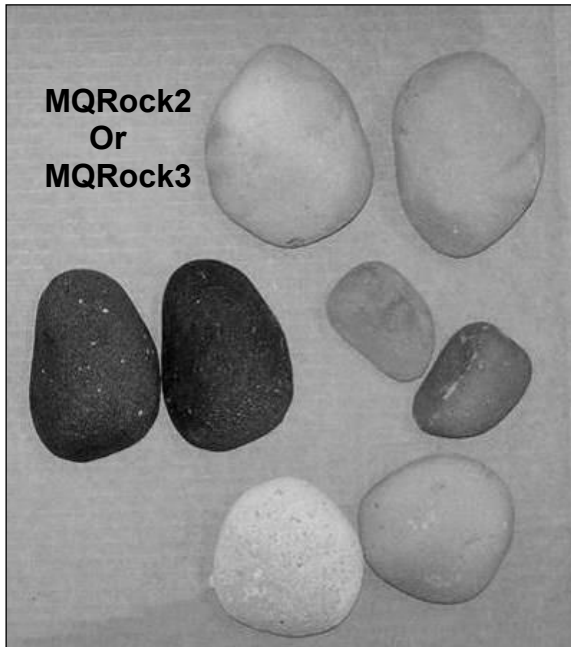
**NOTE**

- Pilot Area Must Not Be Covered, as delayed ignition can occur.
- Do Not Cover any part of the burner tube with logs as sooting may occur.
- For best flame pattern it is essential to spread supplied 1/2" Crushed Glass or MQEMBER chunks directly onto burner tube.

- Place **Log 1** on left side of fireplace against the back wall of the firebox.
- Place **Log 2** on the right side of fireplace against the back wall of the firebox and onto Log 1 as shown.
- Place **Log 3** in front of the burner in the center of fireplace as shown.

Can be used with MQ Glass, MQ Rock, MQ Stone or MQ Ember. Follow instructions for these accessories.

- **MQROCK2, MQROCK3, MQRBD1** - Place rocks randomly onto False Bottom.



**⚠ NOTE**

- Pilot Area Must Not Be Covered, as delayed ignition can occur.
- Do Not Cover any part of the burner tube with logs as sooting may occur.
- For best flame pattern it is essential to spread supplied Bronze Glass directly onto burner tube.



- **MQ STONE DECORATIVE STONE SET**- Place Stones onto False Bottom randomly. Do Not cover Pilot Area. Not all stones will be used on some models.



- **MQEMBER**- Place these glowing ember chunks randomly. Embers may be used with or without other accessories.

# MQRBD3

# -5 Piece Driftwood Log Set-

Can be used with MQ Glass, MQ Rock, MQ Stone or MQ Ember. Follow instructions for these accessories.



- Logs as Shipped -

## ⚠ NOTE

- For best flame pattern it is essential to spread supplied Crushed Glass or MQEMBER directly onto burner tube.
- If sooting occurs, one or more logs may be removed.

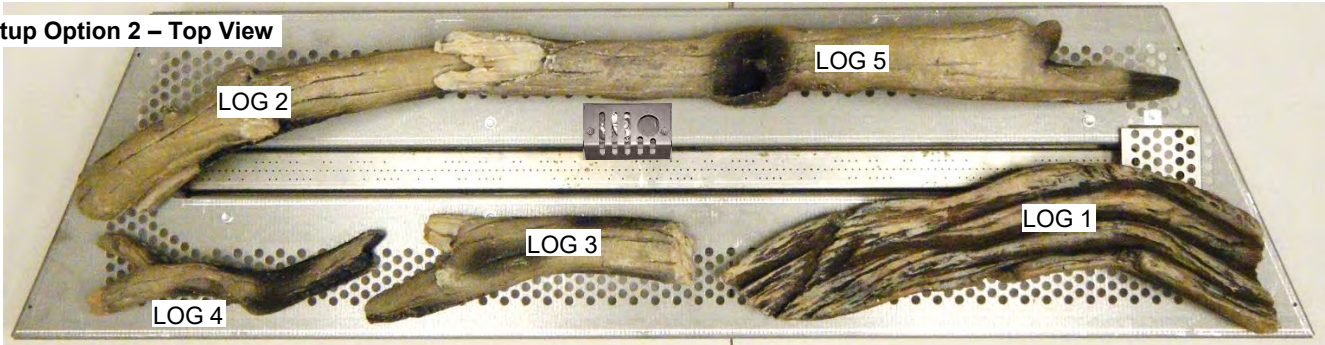
Setup Option 1 – Top View



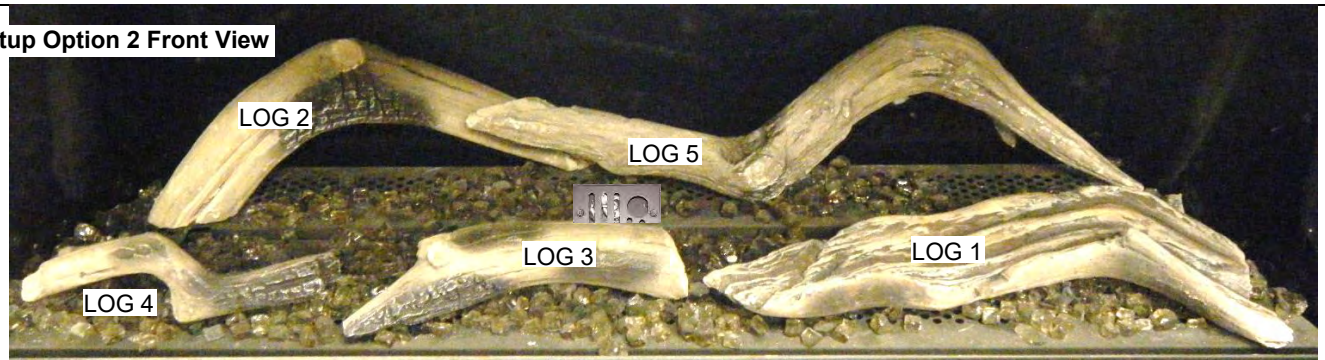
Setup Option 1- Front View



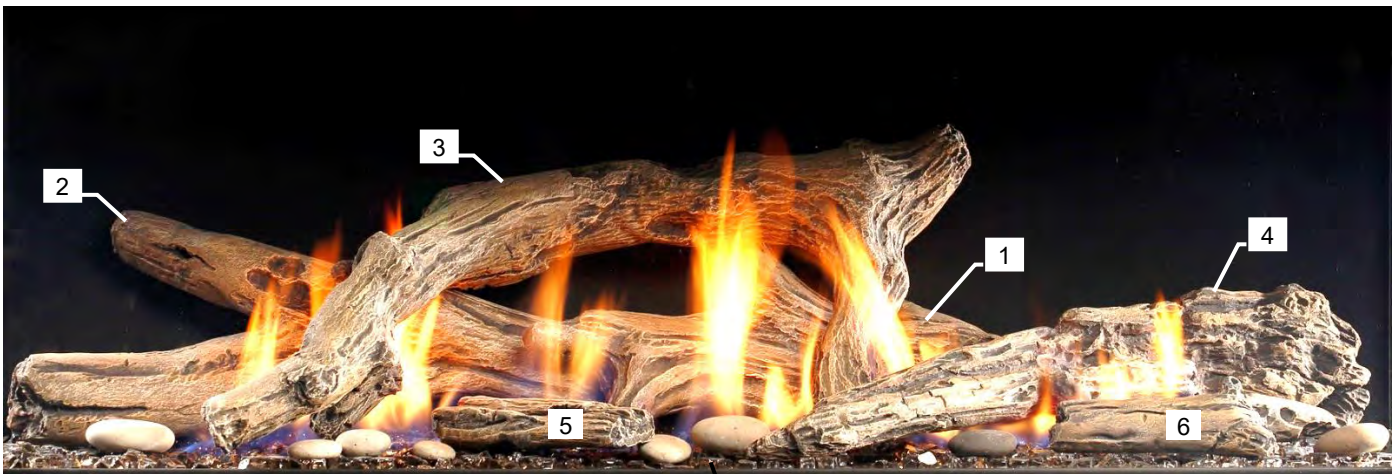
Setup Option 2 – Top View



Setup Option 2 Front View



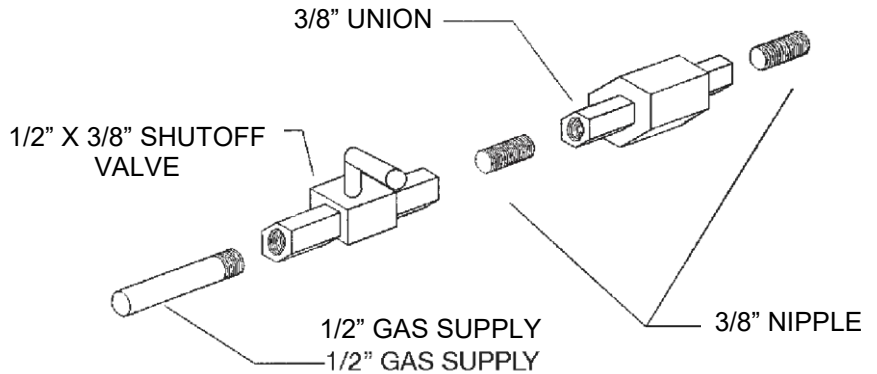
**⚠ WARNING:** Failure to use only parts specifically approved with this appliance may result in property damage or personal injury.



Place Glass onto front area of Burner and over lights.

This gas appliance should be installed by a qualified installer in accordance with local building codes and with current CAN/CGA - B149.1 or .2 installation codes for Gas Burning appliances and equipment in Canada and the National Fuel Gas Code ANSI Z223 in the U.S.A.

1. The gas pipeline can be brought in through either the right or the left side of the appliance. A knockout is provided at either location to allow for the gas pipe installation and testing of any gas connection.
2. The gas control inlet is 3/8" NPT. Typical installation layout for rigid pipe is shown at right.
3. When using copper or flex connector, use only approved fittings. Always provide a union so that gas line can be easily disconnected for burner or fan servicing. See gas specification for pressure details and ratings.
4. When a vertical section of gas pipe is required for the installation, a condensation trap is needed. See CAN/CGA-B149.1 or .2 for code details.



5. For natural gas, a minimum of 3/8" iron pipe with gas minimum pressure of 4.5" w.c. must be used for supply from the gas meter. Consult with the local gas utility if any questions arise concerning pipe sizes.
6. A 1/8" NPT plugged tappings are accessible for test gauge connection both on the inlet and outlet of the gas valve.
7. Turn the gas supply ON and check for leaks. **DO NOT USE OPEN FLAME FOR THIS PURPOSE.** Use an approved leak testing solution.
8. The appliance and its individual shutoff valve must be disconnected from the gas supply piping system during any pressure testing of that system at test pressures in excess of 1/2 PSIG (3.5 KPa).
9. The appliance must be isolated from the gas supply piping system by closing its individual shutoff valve during any pressure testing of the gas supply piping system at test pressures equal to or less than 1/2 PSIG (3.5 KPa).

**NOTE:** The gas line connection may be made of 1/2" rigid pipe or an **Approved Kingsman Flex Connector, such as FP15GC.** Since some municipalities have additional local codes, it is always best to consult your local authorities and the current CAN/CGA - B149.1 or .2 installation code in Canada or the National Fuel Gas code ANSI Z223.1 in the U.S.A

For the state of Massachusetts a T-handle gas shut-off valve must be used on a gas appliance. This T-handle gas shut-off valve must be listed and approved by the state of Massachusetts. This is in reference to the state of Massachusetts state code CMR238.

Important: Always check for gas leaks with a soap and water solution. Do not use open flame for leak testing.

**Gas Specifications**

MODELS	MQVL48N/NE/NE2	MQVL48LP/LPE/LPE2	MQVLB48N/NE/NE2	MQVLBLP/LPE/LPE2
Fuel	Natural	Propane	Natural	Propane
Gas Control	Millivolt / IPI	Millivolt / IPI	Millivolt / IPI	Millivolt / IPI
<b>INPUT</b>				
Maximum	35,000 BTU	35,000 BTU	35,000 BTU	35,000 BTU
Low	25,000 BTU	27,000 BTU	25,000 BTU	27,000 BTU
Orifice Size (0-4500ft)	# 31	# 50	# 31	# 50
Air Shutter	1/8"	Fully Open	1/8"	Fully Open
Gas Inlet Size S.I.T. 820 Nova, 3/8" NPT				
Gas Supply Pressure	Minimum	Normal	Maximum	
Natural Gas	5.5"	7"	9"	
Propane	11"	11"	12"	
Manifold Pressure	Natural Gas		Propane	
Manifold Pressure High	3.5 IN. W.C./ .87 KPa		10 IN. W.C./2.61 KPa	
Manifold Pressure Low	1.6 IN. W.C./ .40 KPa		6.3 IN. W.C./1.57 KPa	



# Millivolt System, Lighting, and Burner Control

## FOR YOUR SAFETY READ BEFORE LIGHTING

**WARNING:** If you do not follow these instructions exactly, a fire or explosion may result causing property damage, personal injury or loss of life.

### BEFORE LIGHTING

- |  |  |
|--|--|
| <p>A This appliance has a pilot which must be lighted by hand. When lighting the pilot, follow these instructions exactly.</p> <p>B Smell all around the appliance area for gas. Be sure to smell next to the floor because some gas is heavier than air and will settle on the floor.</p> | <ul style="list-style-type: none"> <li>• Immediately call your gas supplier from a neighbour's phone. Follow the gas supplier's instructions.</li> <li>• If you cannot reach your gas supplier, call the fire department.</li> </ul> <p>C Use only your hand to push or turn the gas control knob. Never use tools. If the knob will not push in or turn by hand, don't try to repair it. Call a qualified technician. Force or attempted repair may result in a fire or explosion.</p> <p>D Do not use the appliance if any part has been under water. Immediately call a qualified service technician to inspect the appliance and to replace any part of the control system which has been under water.</p> |
|--|--|

### WHAT TO DO IF YOU SMELL GAS

- Do not try to light an appliance.
- Do not touch any electrical switch; do not use any phone in your building.

### LIGHTING INSTRUCTIONS

- |  |   |
|--|---|
| <ol style="list-style-type: none"> <li>1. Stop! Read the safety information above this label.</li> <li>2. Set the thermostat to lowest setting.</li> <li>3. Turn off all electrical power to the appliance.</li> <li>4. Locate valve under the burner assembly.</li> <li>5. If the control knob is not already in the off position, i.e. the word "OFF" in the 9 o'clock position, then push in the gas control knob slightly and turn ⤵ clockwise to "OFF". NOTE: Knob cannot be turned from "PILOT" to "OFF" unless knob is pushed in slightly. Do not use force.</li> <li>6. Wait five [5] minutes to clear out any gas. If you then smell gas. STOP! Follow "B" in the safety information above on this label. If you don't smell gas then go to the next step.</li> <li>7. Now push in the control knob slightly and turn ⤵ counter-clockwise to the "PILOT" position.</li> <li>8. Push in the control knob all the way and hold it. With the other hand push in the red igniter button until you hear a click. Now observe closely the pilot burner located on the rear center-left hand side of the main burner.</li> </ol> | <p>If a flame has appeared then continue to depress the control knob for 20 seconds. If the flame did not appear then continue to depress the red igniter button every 5 seconds until a flame is established. NOTE: If after 30 seconds a flame has not yet been established then turn the control knob back to the off position and repeat steps 5, 6 &amp; 7.</p> <ol style="list-style-type: none"> <li>9. Once the pilot has been established hold the control knob in the depressed position for approximately 25 seconds before releasing. If the flame goes out then repeat steps 7 and 8.             <ul style="list-style-type: none"> <li>• If the knob does not pop up when released, stop and immediately call your service technician or gas supplier.</li> <li>• If the pilot will not stay lit after several tries, turn the gas control to "OFF" and call your service technician.</li> </ul> </li> <li>10. Now turn the control knob to the "ON" position. The burner will not light unless the wall switch thermostat or remote control is turned "ON" or in the case of the thermostat there is a call for heat.</li> <li>11. Close the access door and turn all electrical power back to the appliance.</li> <li>12. The pilot must be turned off when the unit is not in use.</li> </ol> |
|--|---|

### TO TURN OFF THE APPLIANCE

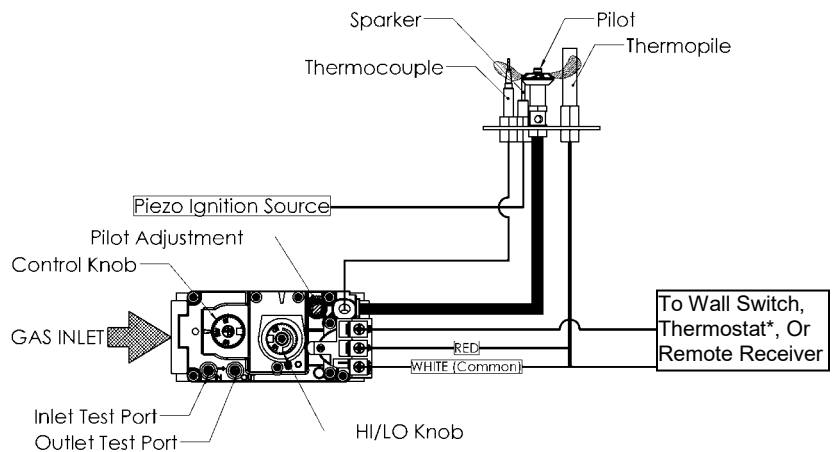
- |  |  |
|--|--|
| <ol style="list-style-type: none"> <li>1. Set the thermostat to lowest setting.</li> <li>2. Turn off all electric power to the appliance if service is to be performed.</li> <li>3. Open the control access door.</li> </ol> | <ol style="list-style-type: none"> <li>4. Push in the gas control knob slightly and turn ⤵ clockwise to the "OFF" position. Do not force.</li> <li>5. Replace control access panel.</li> </ol> |
|--|--|

**NOTE:** Only one on/off device (manual on/off, remote control, or hard wired thermostat) should be connected to the appliance at any one time, this is most important when installing an insert or stove as the on/off rocker switch is installed at the factory.

Recommended Maximum Lead Length (Double Wire)  
When Using Wall Switch or Thermostat

Wire Size	Max. Length
14ga	100ft [30.4m]
16ga	64ft [19.5m]
18ga	40ft [12.1m]
20ga	25ft [7.6m]
22ga	15ft [4.5m]

**CAUTION: DO NOT WIRE 120V POWER TO MILLIVOLT SWITCHES OR THERMOSTAT.**

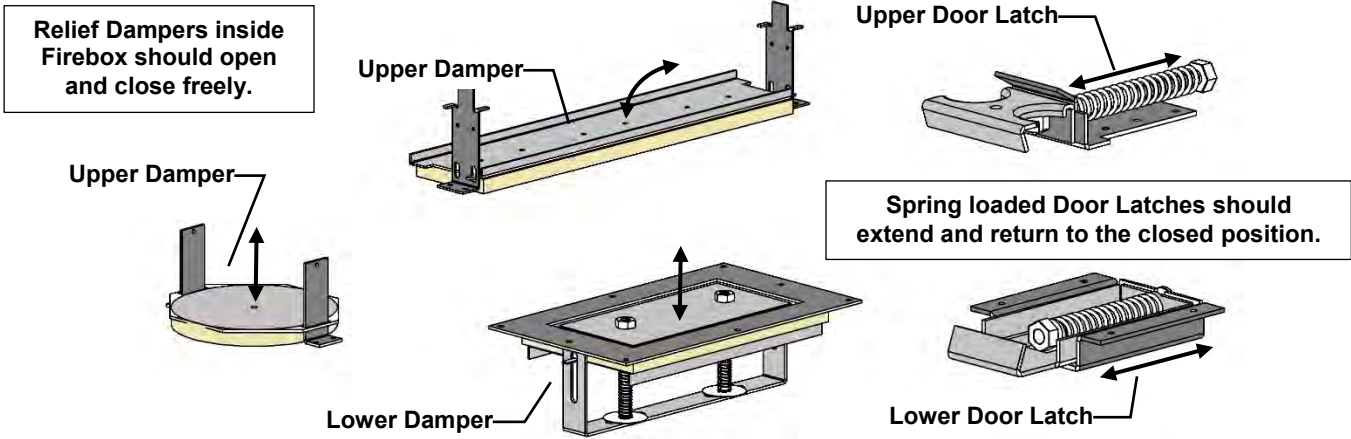


# Annual Inspection List for Determining Safe Operation of a Direct Vent Gas Fireplace

Refer to this checklist for proper maintenance, safe use, and operation.

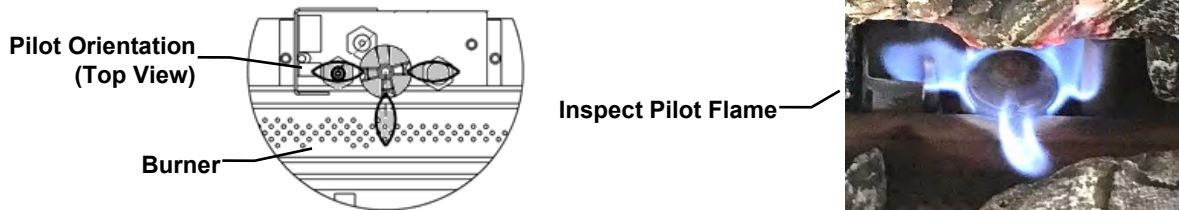
See each section for more specific information.

1. Inspect and operate all pressure relief mechanisms (i.e., relief dampers, spring loaded door latches) installed on your appliance to verify relief mechanisms are free from obstruction to operate.

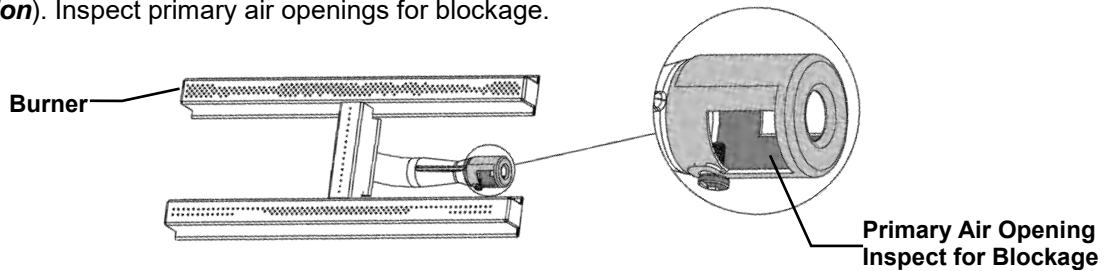


2. Clean glass window with a suitable fireplace glass cleaner. Abrasive cleaners must not be used. Be careful not to scratch the glass when cleaning.

3. Inspect the operation of the Pilot. Ensure that it is working properly.



4. Inspect and ensure the lighting of the main burner occurs within 4 seconds of the main gas valve opening. Visual inspection should match that outlined in the appliance instruction manual (refer to **Monthly Flame Inspection**). Inspect primary air openings for blockage.



5. Inspect condition of vent and vent terminal for sooting or obstruction and correct if present.
6. Vacuum and clean any debris in the firebox that is not supposed to be there.
7. Test and measure the flame failure response time of the flame safety system. It must de-energize the safety shutoff in no more than 30 seconds.
 

**Procedure for Millivolt Units:** Turn on fireplace for 5 minutes. Shut off fireplace while listening to valve. A "click" should be heard within 30 seconds. This indicates the safety shutoff is working properly.

**Procedure for IPI Units:** Turn on fireplace and allow main burner to come on. Then disconnect Flame Sense wire from IPI Module (X3 Connection). The fireplace should shut down immediately.
8. Check all accessible gas-carrying tubes, connections, pipes and other components for leaks.

## Troubleshooting the Gas Control System



### WARNING

BEFORE DOING ANY GAS CONTROL SERVICE WORK, REMOVE THE GLASS FRONT. Before troubleshooting the gas control system, be sure external gas shut off is in the "On" position.

Problem	Possible Causes	Corrective Action
Spark igniter will not light.	<p>Defective or misaligned electrode at pilot.</p> <p>Defective igniter (push-button).</p>	<p>Check for spark at electrode and pilot: if no spark and electrode wire is properly connected, replace igniter.</p> <p>Using a match, light pilot. If pilot lights, turn off pilot and push the red button again. If pilot will not light - check gap at electrode and pilot should be 1/8" to 1/4" to have a strong spark.</p>
Pilot will not stay lit after carefully following lighting instructions.	<p>Defective thermocouple (flame switch where applicable).</p> <p>Defective valve magnet.</p>	<p>Check pilot flame. Must impinge on generator and thermocouple. Clean and/or adjust pilot for maximum flame impingement on generator and thermocouple. Replace thermocouple if pilot will not hold. (Hand tight 1/8 turn on replacement)</p> <p>Replace valve, if pilot won't hold after the thermocouple is replaced.</p>
Pilot burning, no gas to burner, valve knob "ON", and wall switch "ON".	<p>Wall switch or wires defective.</p> <p>Generator may not be generating sufficient voltage.</p> <p>Plugged burner orifice.</p> <p>Defective automatic valve operator.</p>	<p>Check wall switch and wires for proper connections. Jumper wire across terminals at wall switch. If burner comes on, replace defective wall switch. If okay, jumper wires, across wall switch wires at valve. If burner comes on, wires are faulty or connections are bad.</p> <p>Check generator with millivolt meter. Take reading at generator terminals of gas valve. Should read 325 millivolts minimum while holding valve knob depressed in pilot position and wall switch "off" Replace faulty generator if reading is below specified minimum.</p> <p>Check burner orifice for stoppage and remove.</p> <p>Remove wall switch wires from gas valve. Install jumper wires from top bottom terminals of gas valve. Turn valve on "ON". If main burner does not light, replace valve.</p>
Frequent pilot outage problem.	Pilot flame may be too low or blowing (high) causing the pilot safety to drop out.	Clean and/or adjust pilot flame for maximum flame impingement on generator and thermocouple.
Flame lifts off burner and goes out in less than 30 seconds.	The inner liner has come off flue or termination, flame is starving for oxygen.	Attach the inner liner to flue or termination using screws, silicone and clamps as stated in manual.
Flame lifts off burner on one side while the rest of the flame remains lit.	Improper installation of firebrick. Firebrick is likely leaning.	Be sure to position firebrick against firebox walls and be sure to use brick clips attached to the inner side of firebox.

It is recommended to annually inspect and clean the Burner System to prevent malfunction and / or sooting. This operation should be performed by your dealer or a qualified technician.

## -CAUTION-

Before servicing the burner system ensure that the gas supply is turned OFF and disconnect all electrical connections to the appliance. Allow the appliance to cool to room temperature. Note that the pilot assembly may be hot in an intermittent or standing-pilot system—even if the main burner was never on. Exercise caution when working within the area.

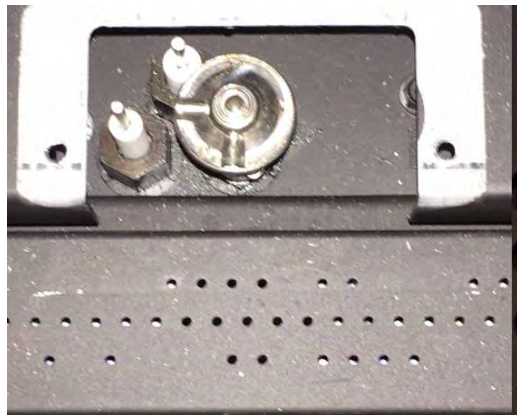
**-ALL WORK SHOULD BE PERFORMED BY A QUALIFIED AND CERTIFIED TECHNICIAN-**

## Monthly Flame Inspection

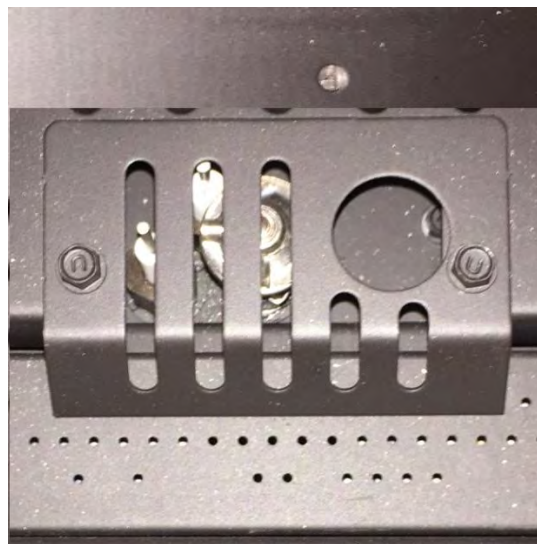


It is recommended to turn on the unit at least once a month and inspect the flame pattern to ensure there are no problems with the burner tube (Flame should appear similar to the above picture).

The pilot flame should also be inspected monthly to ensure proper operation.



**Pilot Must Maintain This Relationship With Burner.**



**Pilot Area Must Not Be Covered.**

\*Pilot Shield should be visually inspected monthly for signs of deterioration due to flame exposure. Replace if necessary.

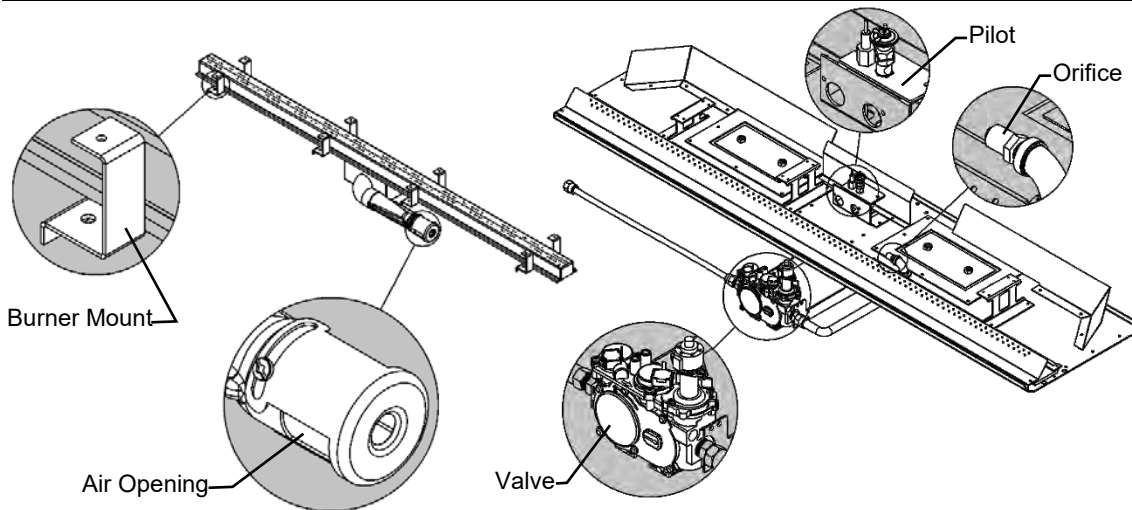
## -Gas Conversion Part A-

## MQVL48 / MQVLB48

**Models:** MQVL48N, MQVL48NE, MQVL48NE2, MQVL48LP, MQVL48LPE, MQVL48LPE2, MQVLB48N, MQVLB48NE, MQVLB48NE2, MQVLB48LP, MQVLB48LPE, MQVL48BLPE2

Kit Number	Description	Pilot Orifice	Burner Orifice Brass (1000-255)	Brass Nipple	Air Shutter	Hi/Lo Regulator
48VL-CKLP	LP Conversion -Millivolt-	1001-P167SI <b>#30</b> (977.167)	#50	1000-253 Closed	Fully Open	1001-P202SI (0.907.202)
48VL-CKNG	NG Conversion -Millivolt-	1001-P165SI <b>#51</b> (977.165)	#31	1000-253 Closed	1/8"	1001-P201SI (0.907.201)
48VL-CKLPI	LP Conversion -IPI-	1001-P168SI <b>#35</b> (977.168)	#50	1000-253 Closed	Fully Open	1002-P014SI (0.907.014)
48VL-CKNGI	NG Conversion -IPI-	1001-P166SI <b>#62</b> (977.166)	#31	1000-253 Closed	1/8"	1002-P016SI (0.907.016)
48VL-CKLPI2	LP Conversion -IPI-	1001-P168SI <b>#35</b> (977.168)	#50	1000-253 Closed	Fully Open	1002-P012SI (907.012)
48VL-CKNGI2	NG Conversion -IPI-	1001-P166SI <b>#62</b> (977.166)	#31	1000-253 Closed	1/8"	1002-P013SI (907.013)

**IMPORTANT:** Always check for gas leaks with a soap and water solution. DO NOT USE OPEN FLAME FOR LEAK TESTING.



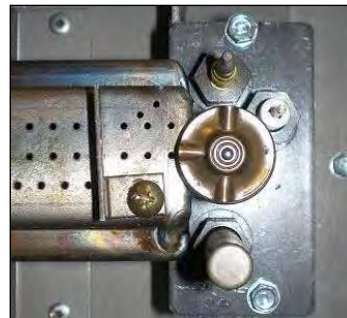
### Parts List:

- HI/LO Pressure Regulator Assembly
- Pilot Orifice
- Burner Orifice
- Brass Nipple
- Instructions
- Conversion Kit Label

### ⚠ Caution:

**The gas supply shall be shut off prior to disconnecting the electrical power, before proceeding with the conversion.**

1. The Burner Tube must be removed from the Burner Pan Assembly (See **Burner Tube Removal**). Adjust the Air Shutter to the correct Primary Air setting as specified in the manual or on the label plate. To adjust the Primary Air setting, loosen screw on the side of the Air Shutter and rotate to the correct opening using a drill bit or tape measure. Retighten screw.
2. Remove the Main Orifice using a 1/2" wrench and replace with the new Conversion Orifice which came with the Conversion Kit.
3. Replace the Burner Tube. Install the new Pilot Orifice (See **Pilot Conversion**) and Hi/Lo valve regulator by following instructions supplied with the Conversion Kit.



**Pilot Must  
Maintain This  
Relationship  
With Burner.**

### ⚠ -Warning-

This conversion kit shall be installed by a qualified service agency in accordance with the manufacturer's instructions and all applicable codes and requirements of the authority having jurisdiction. If the information in these instructions is not followed exactly, a fire, explosion or production of carbon monoxide may result causing property damage, personal injury or loss of life. The qualified service agency is responsible for the proper installation of this kit. The installation is not proper and complete until the operation of the converted appliance is checked as specified in the manufacturer's instructions supplied with the kit.

Refer to "Gas Specifications Chart" for inlet pressures and input ratings. Clock meter to verify input rate. Place conversion label as close to converted gas control as possible. Refer to lighting instructions to verify the normal operating sequence of the ignition system.

## Gas Conversion for Top Convertible Pilot – Part B (series 0190XYZ)



Instructions for converting SIT 190 series pilot burner injector from NG to LPG and from LPG to NG only. This information should be considered as supplemental to the Appliance Manufacturer's Instructions.

### WARNING!

The installation of this conversion kit must only be undertaken by a qualified and certified gas appliance installer.

1. Shut-off the gas supply to the appliance.
2. Allow the pilot burner to cool to room temperature.

**WARNING: Touching a hot pilot burner can result in injury.**

3. The pilot hood is held in place by spring. First remove the spring, then remove the hood by pulling it up from the pilot bracket (fig. 1).
4. Insert a 5/32" or 4 mm Allen wrench into the hexagonal key-way of the injector (fig. 2), and rotate it counter-clockwise until it is free of the injector journal.
5. Verify that the new injector is proper for the application. The injector size is stamped on the side of the injector near the top. LPG injectors have a groove machined around their circumference near the top, while NG injectors do not have a groove (fig. 4). Refer to the Appliance Manufacturer's instruction sheet for the proper injector size.
6. Insert the Allen wrench into the end of the injector. Then, insert the injector into injector journal, and rotate the injector clockwise until a torque of 9 lbf in (1.0 Nm) is achieved.
7. First replace the pilot hood by aligning the tab on the base of the hood with the slot in the side of the pilot journal, and push the hood down, onto the pilot bracket (fig. 3). The hood must sit squarely on the bracket for proper operation. Then replace the spring by pushing it on his seat (fig.3). Check to insure that the hood is properly seated onto the pilot bracket and that the spring is properly inserted onto his seat.
8. Restore the gas supply to the appliance, and ignite the pilot burner. Verify proper ignition and operation.



fig. 1

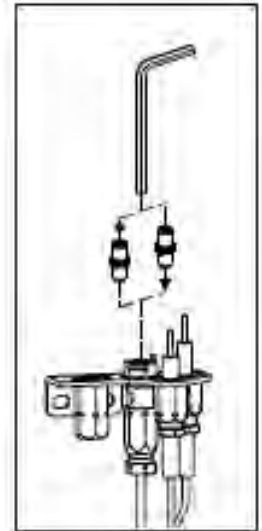


fig. 2



fig. 3

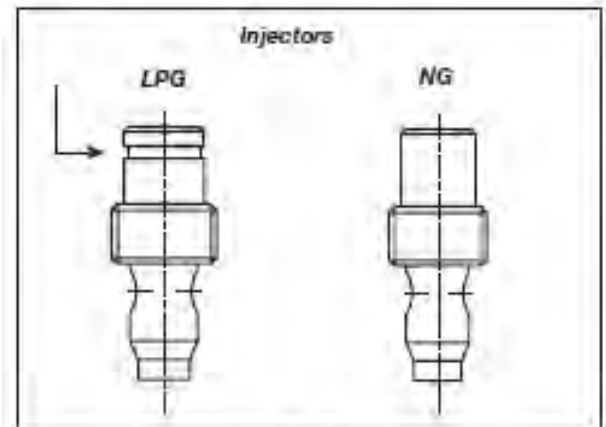


fig. 4

### WARNING!

This conversion kit must ONLY be applied as part of a conversion kit supplied by the APPLIANCE MANUFACTURER for the specific appliance, and type of gas, being converted.



# SIT GROUP

www.sitgroup.it

# installation instructions

7.252.136

## 820 NOVA mV

### Modulating Conversion Kit

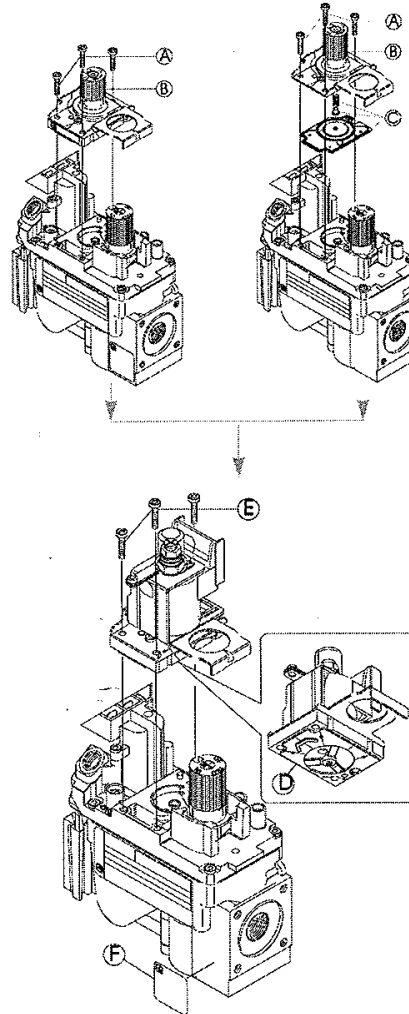


**WARNING!**

The installation of this conversion kit must only be undertaken by a qualified and certified gas appliance installer.

**MODULATING PRESSURE REGULATOR CONVERSION KIT INSTALLATION OR REPLACEMENT INSTRUCTIONS.**

- 1 Turn control knob to the OFF position, and shut off the gas supply to the valve.
- 2 Using a Torx T20, or slotted screwdriver, remove and discard the three pressure regulator mounting screws (A), pressure regulator tower (B), and the spring and diaphragm assembly (C).  
(If applicable)
- 3 Insure that the rubber gasket (D) is properly positioned and install the new modulating pressure regulator assembly to the valve using the new screws (E) supplied with the kit. Tighten screws securely.  
(Reference torque = 25 In.Lb.)
- 4 Install the enclosed identification label (F) to the valve body where it can be easily seen.
- 5 Apply gas to system and re-light appliance according to manufacturers instructions.
- 6 With the main burner "ON", test the new pressure regulator assembly for leaks using a soap solution.
- 7 Relight the main burner in both the HI and LO positions, and verify proper burner ignition and operation.



**WARNING!**

This modulating conversion kit must ONLY be applied as part of a conversion kit supplied by the APPLIANCE MANUFACTURER for the specific appliance, and type of gas, being converted.

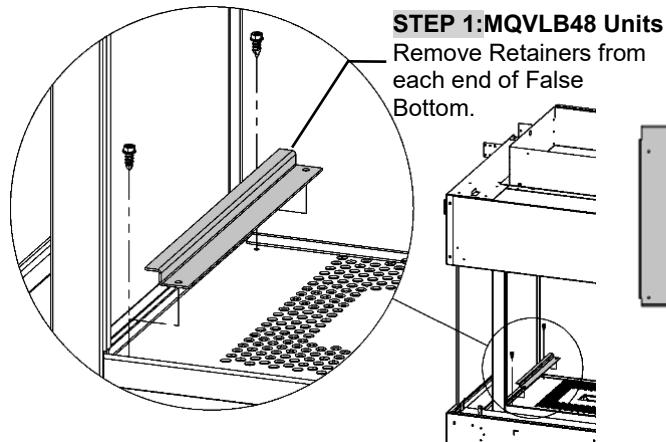
**INSTALLER NOTICE.** These instructions must be left with appliance.



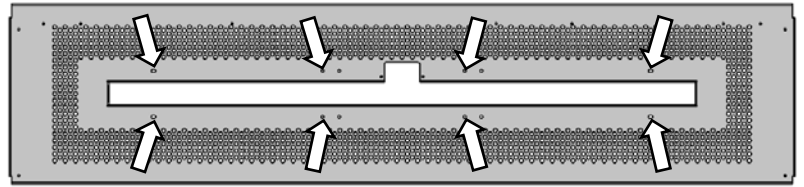
**SIT Group**

## MQVL48 / MQVLB48 False Bottom Removal (Media Tray)

In order to access the Burner Tube and Burner Pan, the False Bottom must be removed.

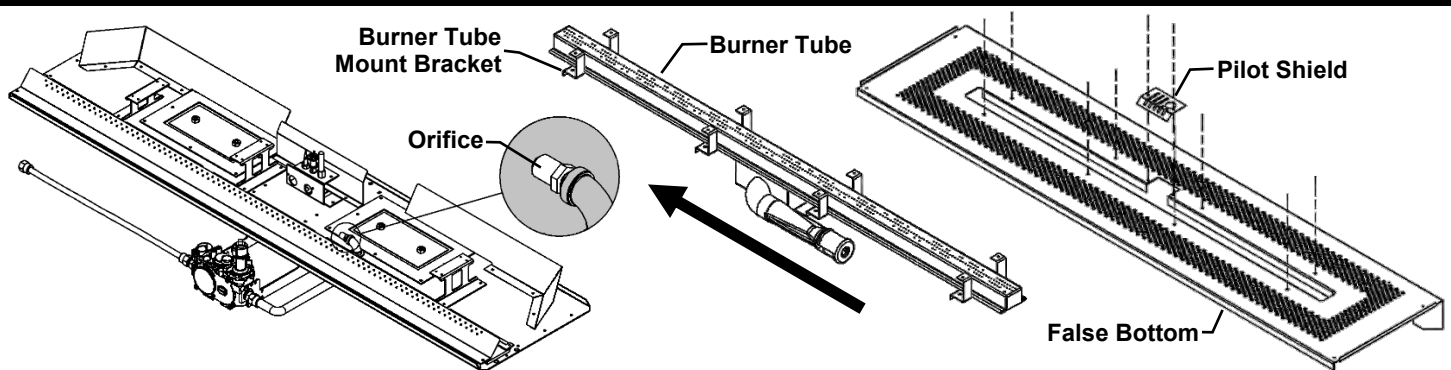


**STEP 2:** Remove the [Qty 8] Screws shown below.



False Bottom can now be removed from fireplace.

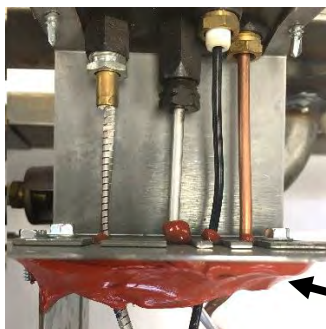
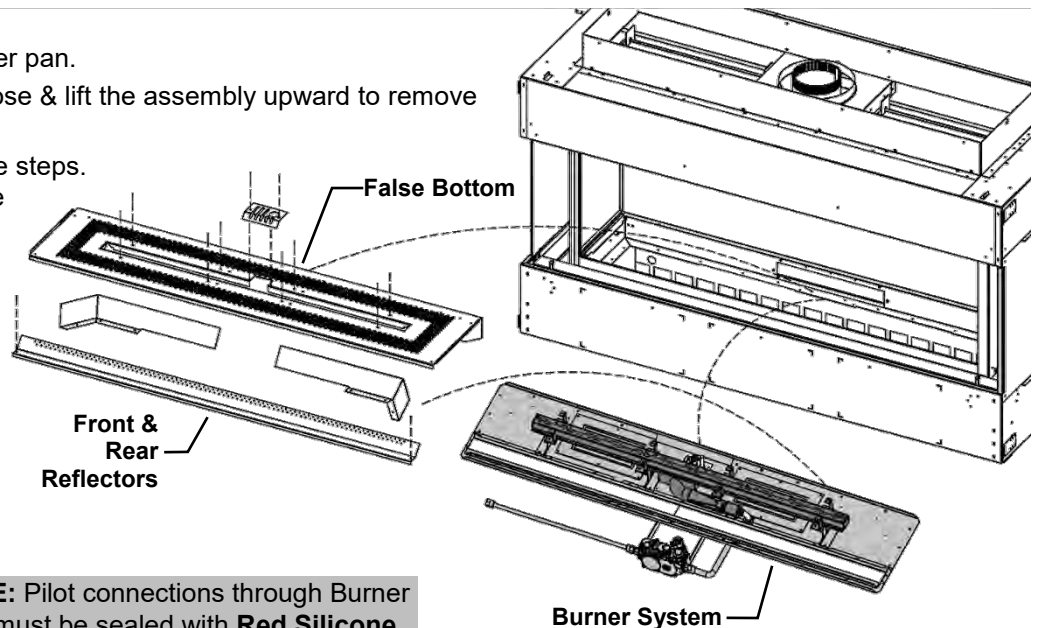
## MQVL48 / MQVLB48 Burner Tube Removal



1. Remove False Bottom (See **False Bottom Removal** Instructions above).
2. Remove the [Qty 8] DT Screws from the lower portion of the Burner Tube Mount Brackets.
3. Slide the Burner Tube away from the orifices until it disengages.
4. Reverse these steps to reinstall.

## MQVL48 / MQVLB48 Burner System Removal and Installation

1. Remove False Bottom (See **False Bottom Removal** Instructions above).
2. Remove Front Reflector and Rear Reflectors.
3. Remove the DT Screws around the perimeter of the burner pan.
4. Carefully work the burner pan loose & lift the assembly upward to remove it from the firebox cavity.
5. Installation is the reverse of these steps. Ensure that the mounting surface is clean and **Mill-Pac Black** is used to reseal the burner pan.



**NOTE:** Pilot connections through Burner Pan must be sealed with **Red Silicone**.



## Proflame 1 -IPI Electronic Ignition System-

### Overview

The IPI system is an advanced burner controller that provides you with the option of having either a Standing-Pilot, or an intermittent igniting system. This alternating mode is controlled by the CPI/IPI Switch (Continuous Pilot Ignition/Intermittent Pilot Ignition) located on the IPI System Box. The difference between a Standing-Pilot and an Intermittent-Pilot is in whether the pilot stays lit or shuts off:

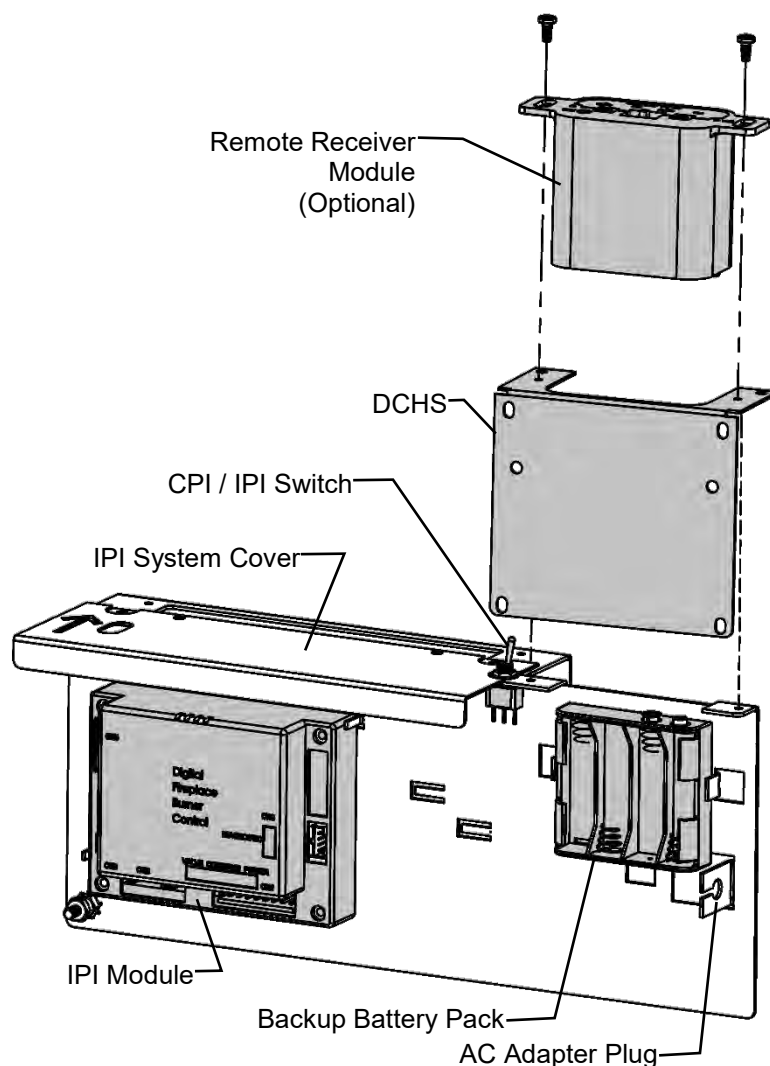
In Standing-Pilot, the pilot assembly is lit by the IPI Main Module and continues to stay lit until 1) the CPI/IPI Switch is switched to the IPI position; 2) a loss of electrical power (battery and AC source), 3) the flame sensor loses its signal, 4) the fuel supply discontinues, or 5) the IPI Main Module malfunctions.

In the Intermittent-Pilot mode, the pilot shuts off when the appliance is not in use. The advantage of this mode is that fuel is not consumed when the fireplace is not operating.

**NOTE:** In some jurisdictions Intermittent-Pilot is required. That means the pilot cannot remain lit when the appliance is not operating.

### Components

The core of the IPI system is the Main Module and the IPI Valve. With these two components the system is able to operate a gas fireplace. There are also other components available to complement the IPI system.



**IPI System Cover:** Is essential in keeping the components at their proper operating temperatures. **DO NOT OPERATE THE APPLIANCE WITHOUT THIS COVER.**

**Modulating Servo Motor:** Is an add-on valve component that permits HI/LO functionality to be controlled by the remote. Contrary to this feature is a Manual HI/LO Control Knob. The Modulating Servo Motor requires the Remote system to be present.

**Backup Battery Pack:** This component permits the IPI system to operate without the need for an external AC Adapter power source. The advantage to using the battery backup is that in the case of a power failure, the appliance is still operable.

**NOTE:** In certain instances the IPI Main Module requires resetting. This can occur if the system is unable to ignite the pilot or the main burner in the allotted time period. The IPI is programmed to lockout all commands. To reset this lockout you must deplete the system of all electrical power. This means to remove the batteries from the Battery Pack, remove the batteries from the Remote Receiver (if applicable), and disconnect the AC Adapter from the system. Leave the power off for approximately 25 seconds to clear its lockout.

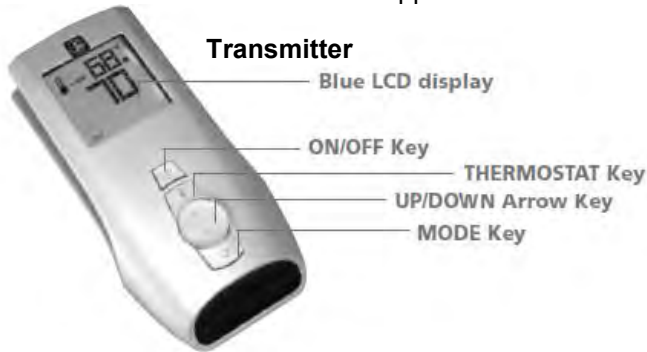
**Remote Receiver:** This component provides the capability of controlling the appliance with a wireless remote transmitter.

### Standing Pilot Mode for Colder Climates (Below Freezing)

For IPI models it may be necessary to set the appliance to Standing Pilot mode to maintain heat in the cavity. The purpose of this procedure is to prevent cold air from penetrating the chimney and then onto the living space. Therefore, when the internal temperature is slightly elevated the fireplace is able to freely exhaust its combustion and hence making it easier to startup.

# Proflame 1 -Remote Control Operation-

The Proflame GTM is configured to control the on/off main burner operation, its flame levels, and provides on/off and Smart thermostatic control of the appliance.



## Transmitter

The Transmitter is powered by 3 AAA type batteries. A Mode Key is provided to Index between the features and a Thermostat Key is used to turn on/off or index through thermostat functions

## Remote Receiver

The Receiver connects directly to the gas valve and stepper motor with a wiring harness. The Receiver is powered by 4 AA type batteries. The Receiver three position slider switch can be set to one of three positions: ON (Manual Override), Remote (Remote control) or Off.

## Initializing the System for the first time

Install 4 AA batteries into the receiver battery bay. Install 3 AAA type batteries in the Transmitter battery bay. Place the 3 position slider switch in the "Remote" position. Insert the end of a paper clip into the hole marked "PRG" on the Receiver front cover. The Receiver will "beep" three (3) times to indicate that it is ready to synchronize with a Transmitter. Push the On button. The Receiver will "beep" four times to indicate the Transmitter's command is accepted. The system is now initialized.

## Temperature indication Display

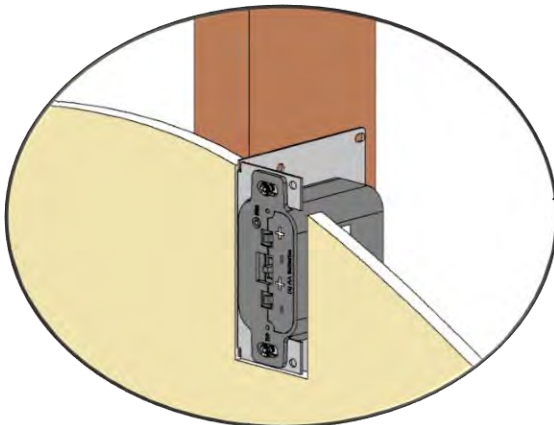
With the system in the "OFF" position, press the Thermostat Key and the Mode Key at the same time. Look at the LCD screen on the Transmitter to verify that a C or F is visible to the right of the Room Temperature display.

## Turn the Appliance On or Off

Press the ON/OFF Key on the Transmitter

## Remote Flame Control

The Proflame GTM has six (6) flame levels. Pressing the Down Arrow Key once will reduce the flame height by one step until the flame is turned off. The Up Arrow Key will increase the flame height each time it is pressed. If the Up Arrow Key is pressed while the system is on but the flame is off, the flame will come on in the high position.



## Room Thermostat ( Transmitter Operation)

The Remote Control can operate as a room thermostat. To activate this function, press the Thermostat Key. The LCD display on the Transmitter will change to show that the room thermostat is "ON" and the set temperature is now displayed. To adjust the set temperature, press the Up or Down Arrow Keys until the desired set temperature is displayed on the LCD screen of the Transmitter.

## Smart Thermostat (Transmitter Operation)

The Smart Thermostat function adjusts the flame height in accordance to the difference between the set point temperature and the actual room temperatures. As the room temperature gets closer to the set point the Smart Function will modulate the flame down. To activate this function, press the Thermostat Key until the word "SMART" appears to the right of the temperature bulb graphic. To adjust the set temperature, press the Up or Down arrow Keys until the desired set point temperature is displayed.

## Key Lock Function

This function will lock the keys to avoid unsupervised operation. To activate this function, press the MODE and the UP Arrow Key at the same time. To de-activate this function, press the MODE and the UP Arrow Key at the same time.

## Low Battery Detection

**Transmitter** - When the Transmitter batteries are low, a Battery Icon will appear on the LCD display of the Transmitter.  
**Receiver** - When the Receiver batteries are low, No "beep" will be emitted from the Receiver when it receives an On/Off command from the Transmitter. When the batteries are replaced the "beep" will be emitted from the Receiver when the ON/OFF Key is pressed (See Initializing the System for the first time).

## Manual Bypass Of The Remote System

If the batteries of the Receiver or Transmitter are low or depleted, the appliance can be turned on manually by sliding the three position slider switch on the Receiver to the ON position. This will bypass the remote control feature and the appliance main burner will come on if the gas valve is in the "On" position.

## Wall Mount Option

**10ft. Extension Harness (Part No. 1001-P904SI) required.**

- The Remote Receiver can be mounted on a vertical wall stud using the DCHS as a mounting bracket.
- Ensure that the face is protruding 1/2" so that the face plate will be flush on the face of the wall.
- Drywall cutout size is 2" wide by 4-1/8" tall.
- Must be installed within 10ft of valve assembly (6ft recommended).

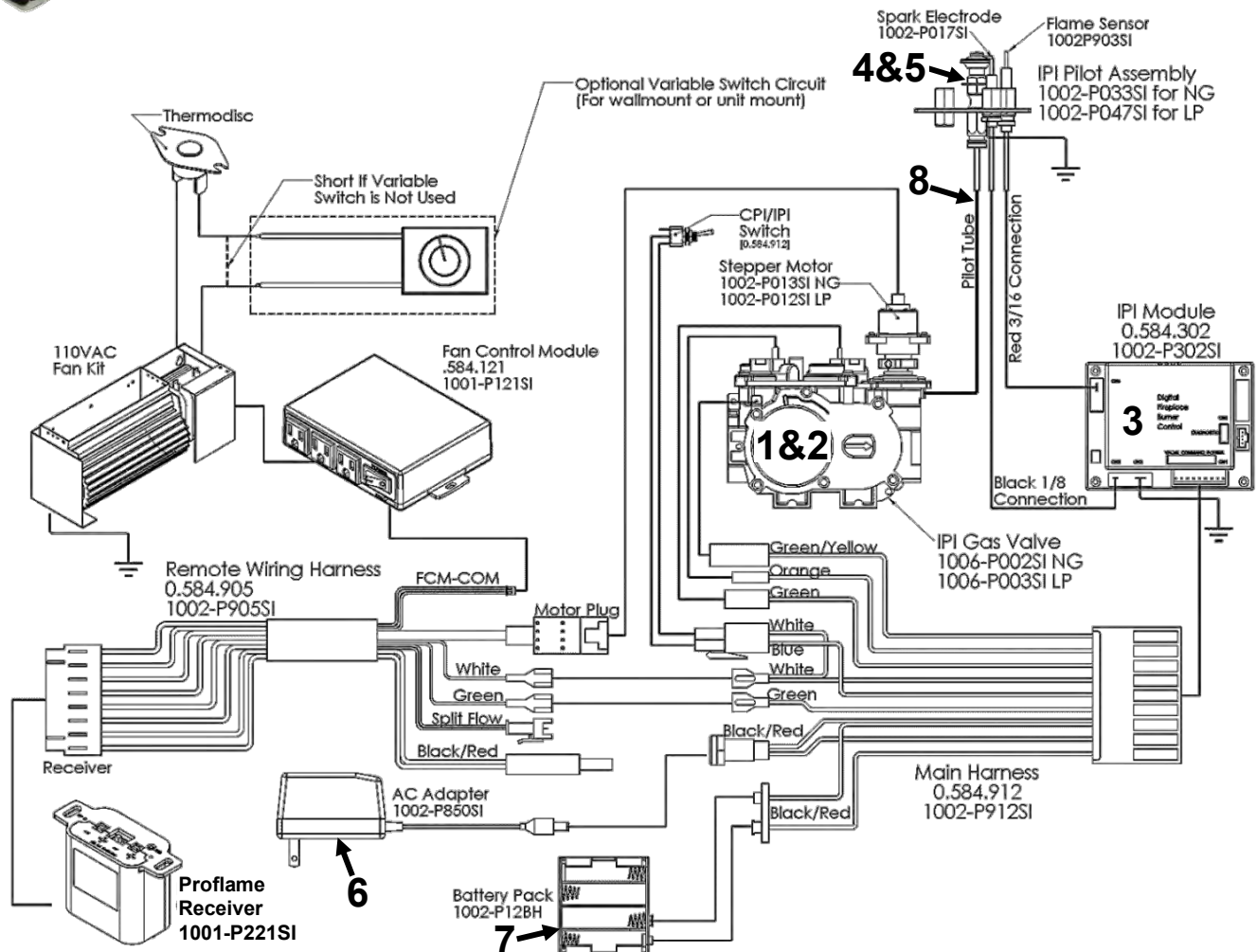
PART NO.	DESCRIPTION
1. 1006-P002SI	Valve IPI Hi/Lo NG
2. 1006-P003SI	Valve IPI Hi/Lo LP
3. 1002-P302SI	IPI Ignition Board
4. 1002-P047SI	Pilot Assembly-LP -24" Wire
5. 1002-P033SI	Pilot Assembly-NG -24" Wire
6. 1002-P850SI	AC Wall Adapter
7. 1002-P12BH	Battery Pack
8. 1001-P280SI	TC - Tubing W/Fittings 1/8 2.182.280
9. 1001-P166SI	TC - Orifice Pilot NG 977.166 #62 (IPI)
10. 1001-P168SI	TC - Orifice Pilot LP 977.168 #35 (IPI)

11. 1002-P012SI	IPI Stepper Kit - LP 907.012
12. 1002-P013SI	IPI Stepper Kit - NG 907.013
13. 1002-P014SI	IPI Reg Kit - LP Hi-Lo 907.014
14. 1002-P016SI	IPI Reg Kit - NG Hi-Lo 907.016
15. 1002-P017SI	TC - Electrode Cable & Sparker IPI 915.017 24"
16. 1002-P119SI	TC - Electrode Cable & Sparker IPI 35" (Infinite, ZCVRB47, VRB46)
17. 1002-P903SI	TC - Electrode Flame Sense IPI 007.253/915.903 24"
18. 1002-P910SI	TC - Electrode Flame Sense 35" (Infinite, ZCVRB47, VRB46)



**Proflame Transmitter**  
1001-P023SI

**NOTE:** Fan and / or Light Options are not available on some fireplaces.  
**Check with your dealer.**



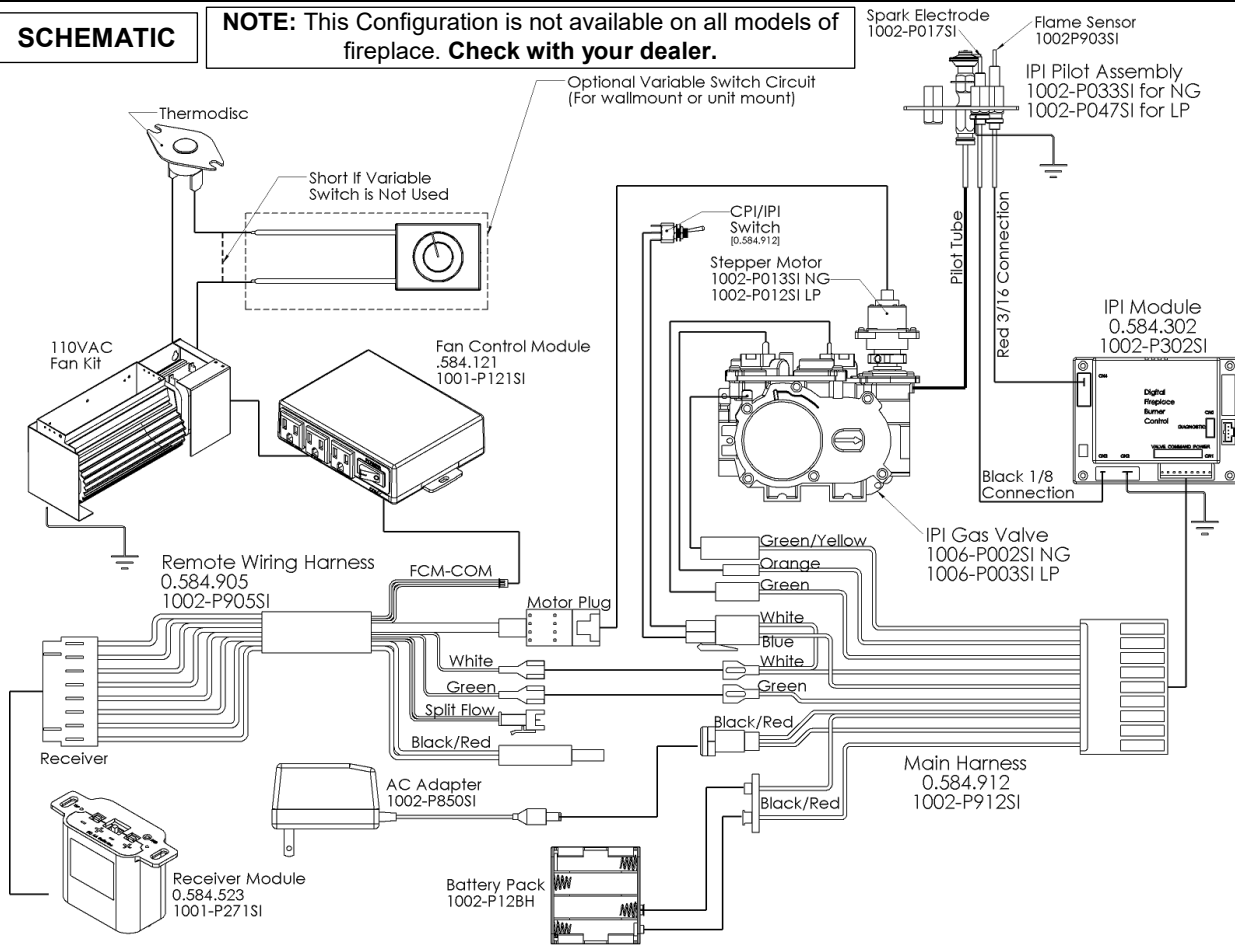


# Proflame 1- Configuration #3: Remote ON/OFF, variable HI/LO, and fan capabilities

Refer to the fan installation/removal section for fan installation.

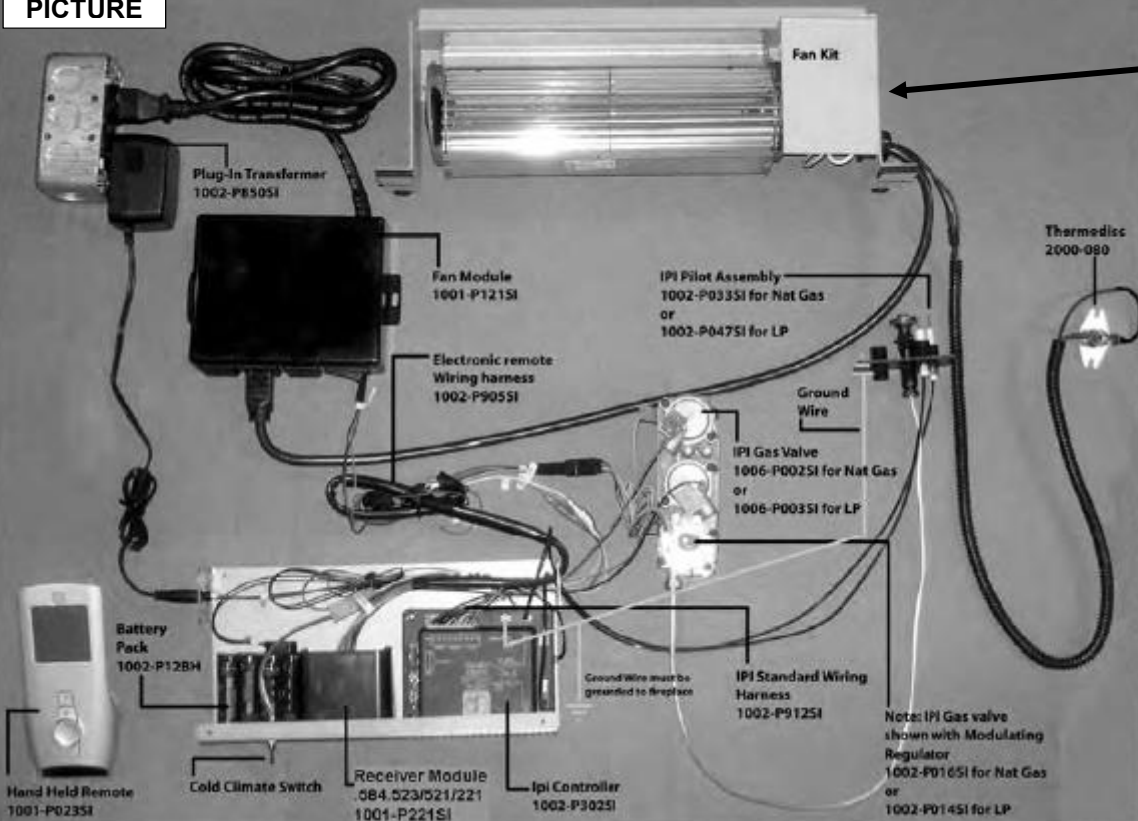
## SCHEMATIC

**NOTE:** This Configuration is not available on all models of fireplace. **Check with your dealer.**



## PICTURE

Note: If remote Control is used the battery Pack 1002-P12BH does not need to be used.



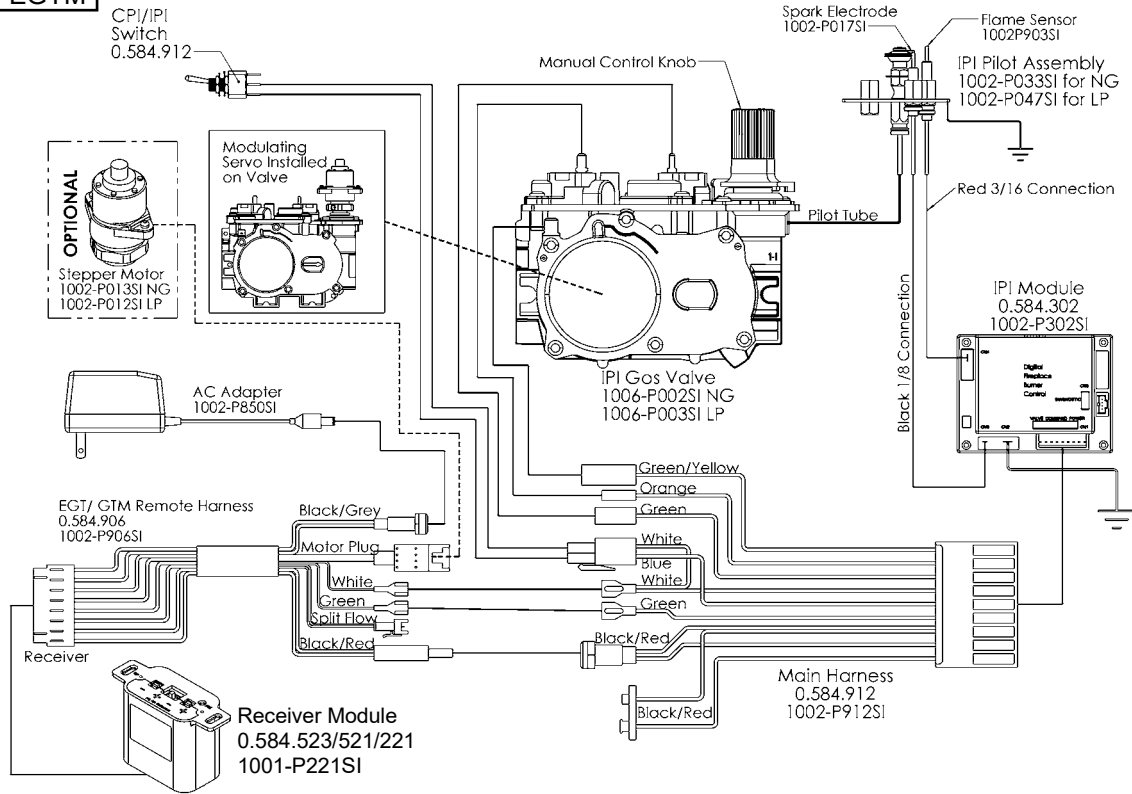
**NOTE:** Fan Option is not available on some models of fireplace. **Check with your dealer.**

# Operating the Receiver Without Batteries For GT / EGT / GTM / EGTM Remote Controls

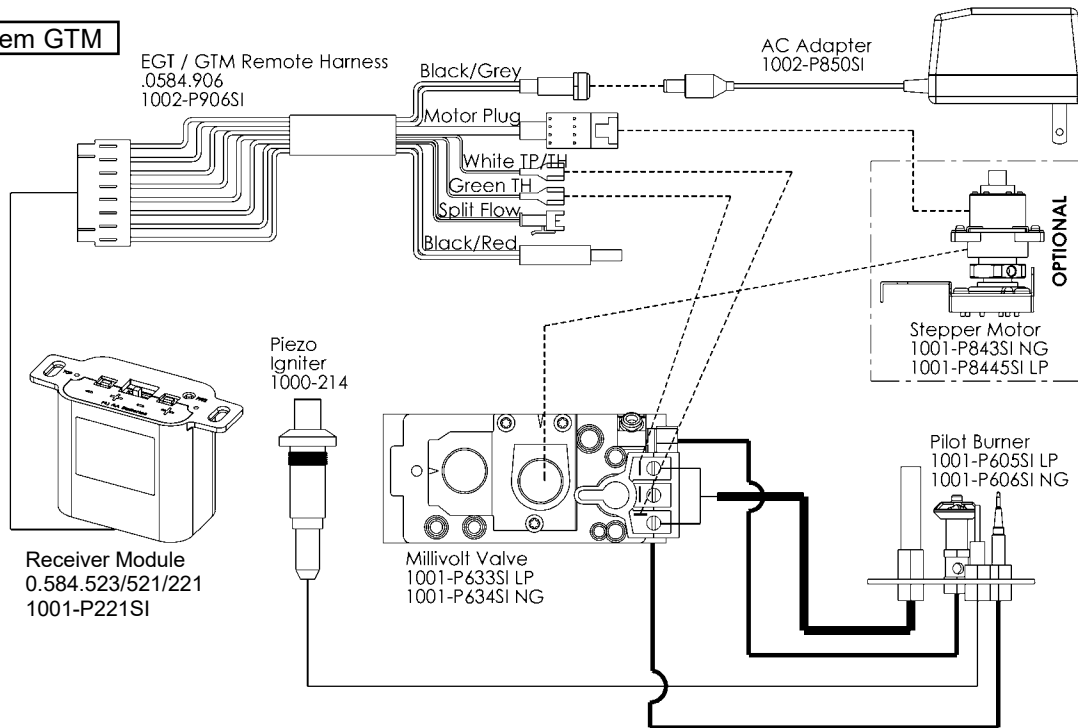
- Wiring Harness P/N 1002-P906si required for both IPI & Millivolt systems.
- Millivolt Systems will also require Power Adapter P/N 1002-P850si.

The Remote Receiver & IPI or Millivolt system can be powered by the AC Adapter. This is advantageous if you do not want to use batteries. Simply connect the AC Adapter into the Remote Control Wiring Harness as per the diagrams below.

## IPI System EGTM



## Millivolt System GTM



# Electronic Ignition Lighting Instructions

## **WARNING**

If you do not follow these instructions exactly, a fire or explosion may result causing property damage, personal injury or loss of life.

Always light the pilot whether for the first time or if the gas supply has ran out with the glass door opened or removed.



### FOR YOUR SAFETY READ BEFORE LIGHTING:

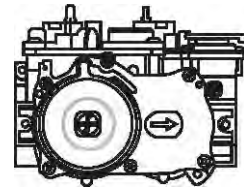
- A. This fireplace is equipped with an ignition device which automatically lights the pilot. Do not try to light by hand.
- B. Before operating smell all around the fireplace area for gas and next to the floor because some gas is heavier than air and will settle on the floor.
- C. Do not use this fireplace if any part has been under water. Immediately call a qualified service technician to inspect the fireplace and replace any part of the control system and any gas control which has been under water.

### WHAT TO DO IF YOU SMELL GAS:

- Turn off all gas to the fireplace.
- Open windows.
- Do not try to light any appliance.
- Do not touch any electric switch; do not use any phone in your building.
- Immediately call your gas supplier from a neighbor's phone. Follow the gas supplier's instructions.
- If you cannot reach your gas supplier, call the fire department.

### LIGHTING INSTRUCTIONS

1. Stop! Read the above safety information on this label.
2. Remove batteries from receiver, and/or Battery Backup Pack.
3. Turn off all electric power to the fireplace.
4. This fireplace is equipped with an ignition device which automatically lights the pilot. Do not try to light the pilot by hand.
5. Open the glass door.
6. Turn manual shutoff valve clockwise  to off (Located behind the access panel).
7. Wait five (5) minutes to clear out any gas. If you smell gas including near the floor, **STOP!** Follow "B" in the above safety information on this label. If you don't smell gas go to the next step.
8. Turn manual shutoff valve counter-clockwise  to on.
9. Close the glass door.
10. Turn on all electric power to the fireplace and re-install batteries into the Transmitter/Receiver, and/or Battery Backup Pack.
11. Turn "On" Switch that operates the Main Burner. If using a Remote Control refer to Remote Control Operation Manual for activation.



### TO TURN OFF GAS

1. Turn off all electric power to the fireplace if service is to be performed, including removing batteries from Remote Transmitter/Receiver and/or Battery Backup Pack.
2. Access door inside the firebox must be removed to access the manual shutoff valve.
3. If alternate shut-off valve was installed it can be shutoff instead of going through the fireplace to access the fireplace shut off valve.

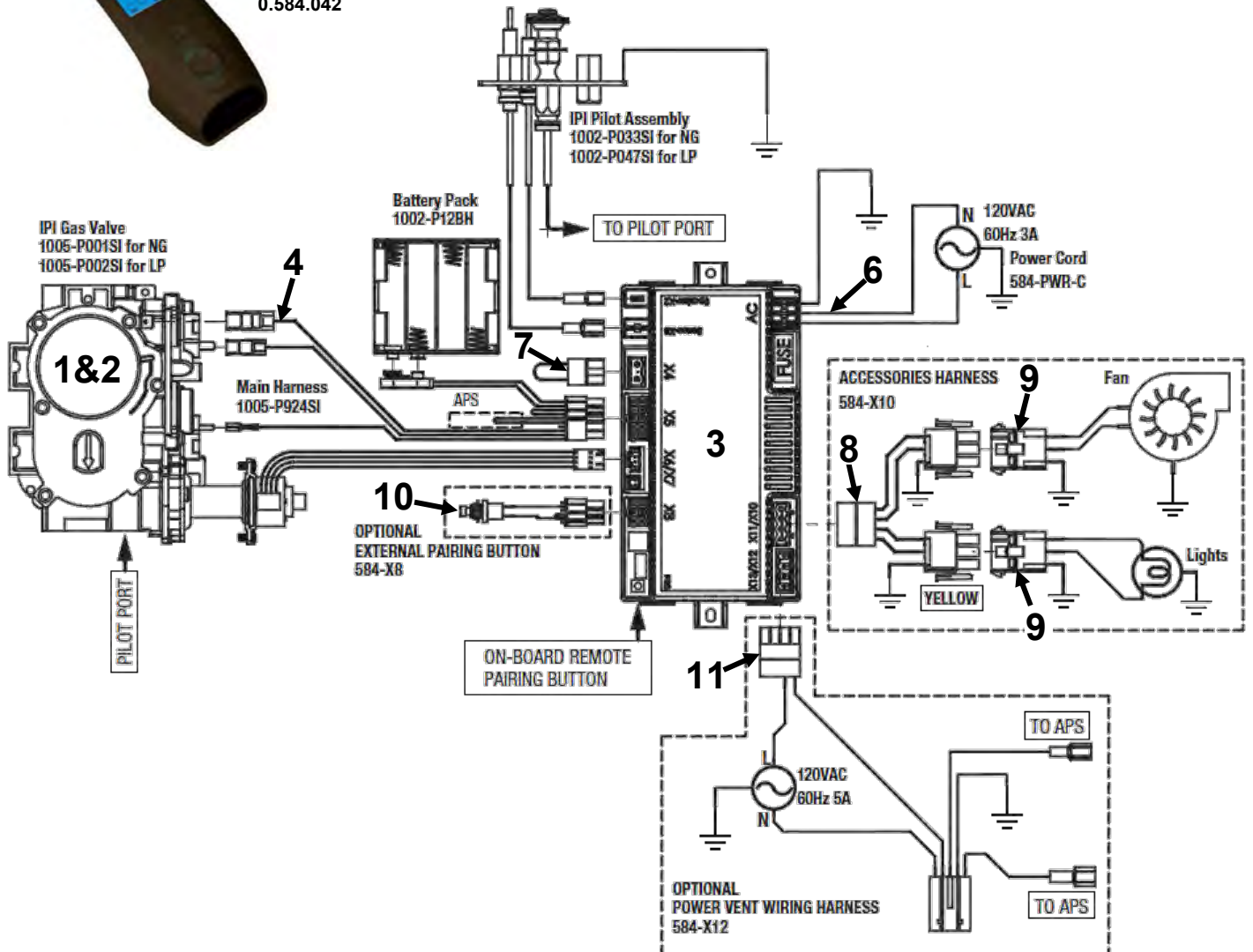
**IPI PROFLAME 2 - COMPONENT PARTS**

PART NO.	DESCRIPTION
1. 1005-P001SI	Valve IPI Proflame PF2 885.001 NG - Stepper
2. 1005-P002SI	Valve IPI Proflame PF2 885.002 LP - Stepper
3. 1005-P325SI	Module IPI - Proflame 2 - 584.325
4. 1005-P924SI	Harness PF2 - 584.924
5. 1005-P042SI	Transmitter - PF2 - Black 584.042
6. 584-PWR-C	Wire Harness PF2 – Power Cord
7. 584-X4P	Terminal Block
8. 584-X10	Wire Harness PF2
9. 584-ACC01-C	Wire Harness PF2 - Fan/Light
10. 584-X8-B	Wire Harness PF2 - Optional Reset Harness
11. 584-X12	Optional Power Vent Harness

**NOTE:** Fan and / or Light Options are not available on some fireplaces.  
**Check with your dealer.**



**Proflame Transmitter**  
 0.584.042



**IPI - PF1 and PF2 Common Components**

PART NO.	DESCRIPTION	
12. 1002-P033SI	TC - Pilot Burner IPI (Assembled) NG 199.033	
13. 1002-P047SI	TC - Pilot Burner IPI (Assembled) LP 199.047	
14. 1001-P166SI	TC - Orifice Pilot NG 977.166 #62 (IPI)	
15. 1001-P168SI	TC - Orifice Pilot LP 977.168 #35 (IPI)	
16. 1001-P280SI	TC - Tubing W/Fittings 1/8 2.182.280	
17. 1002-P012SI	IPI Stepper Kit - LP 907.012	<b>P2 CONVERSION</b>
18. 1002-P013SI	IPI Stepper Kit - NG 907.013	
19. 1002-P014SI	IPI Reg Kit - LP Hi-Lo 907.014	<b>P1 CONVERSION</b>
20. 1002-P016SI	IPI Reg Kit - NG Hi-Lo 907.016	
21. 1002-P017SI	TC - Electrode Cable & Sparker IPI 915.017 24"	
22. 1002-P119SI	TC - Electrode Cable & Sparker IPI 35" (Infinite, ZCVRB47, VRB46)	
23. 1002-P12BH	IPI Battery Housing 12bh347-Gr	
24. 1002-P903SI	TC - Electrode Flame Sense IPI 007.253/915.903 24"	
25. 1002-P910SI	TC - Electrode Flame Sense 35" (Infinite, ZCVRB47, VRB46)	



## Proflame 2 Module and Remote Control



### Pairing Remote Control

- Install the 3 AAA batteries in the battery bay, located on the base of the Remote Control. Note polarity of the batteries and insert them as indicated.
- Connect the AC power supply to the IFC.
- **Press the Remote Pairing Button (SW1). The IFC will “beep” and a red LED is illuminated on the Proflame 2 Module to indicate that the IFC is ready to synchronize with a Remote Control within 10 seconds.** With the batteries already installed in the Remote Control, push the ON button. The receiver will “beep” four times to indicate the Remote Control’s command is accepted.
- Press the **SW1** button until you hear three beeps.
- Within 10 seconds press the **SW1** button again until you hear it beep.
- The PF2 module may now be turned on/off manually (x4 connector) by a switch (not supplied), the pilot will remain on CPI (continuous pilot ignition) mode, all other functions of main burner, fan and lights will be on the high setting.

The system is now initialized.

### **Resetting Proflame 2 Module for Manual Use**

Should the transmitter get misplaced, broken or not wanted the PF2 Module can be reset to a manual system. A manual on/off switch or thermostat may be installed at the X4 connector (this connection is Jumped at the factory) no power is required.

The following sequence must be followed to reset the PF2 Module:

### **Fan Startup and Shutdown Timings:**

Fan setting is started with a delay of 5 minutes from the fireplace ignition and stopped with a delay of 12 minutes from the fireplace switching off.

### **Low battery power detection**

When the Remote Control’s batteries are low, a Battery Icon will appear on the LCD display before all power is lost. When the batteries are replaced this icon will disappear.

### **Battery backup**

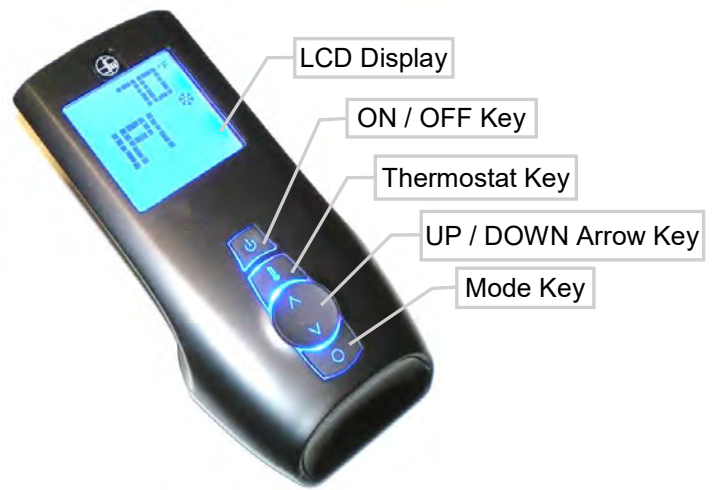
The PF2 module is powered by line voltage (AC) with provision of battery backup in case of main power loss. Fans and lighting features will not function with the PF2 module is powered by battery backup. It is recommended that the 4 x AA batteries are changed before each heating season.

## Cold Climates – CPI Setting - Proflame 2 Remote Control

Use the CPI setting during cold weather, otherwise the fireplace may have a hard time starting up and establishing a flame.

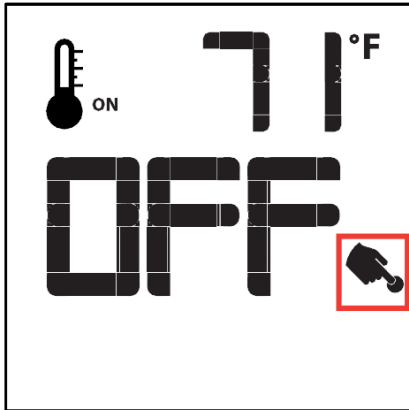
The CPI (Continuous Pilot Ignition) setting will keep the firebox and fireplace exhaust vent warm during cold weather. When the firebox and exhaust vent are warm, exhaust gasses will readily flow out of the firebox.

If the firebox and venting are too cold, there is resistance due to the heavy cushion of cold air, and combustion gasses may not rise into the exhaust vent, thus causing the fireplace to cycle or **Lockout** (if this happens see **Lockout Reset Procedures** below).

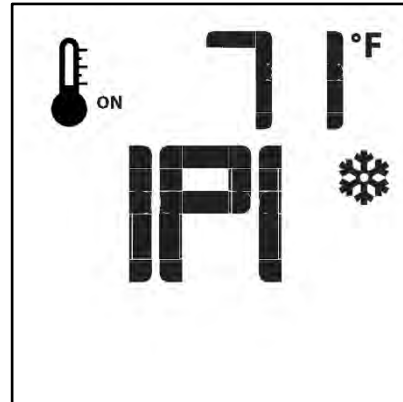


### To switch from IPI to CPI Mode:

1. Turn the fireplace OFF using the **ON / OFF Key**.



2. Press the **Mode Key**. Display will appear as below.



3. Press UP on the **UP / DOWN Arrow Key**.

Display will show **CPI**.

The module in the fireplace will beep once to confirm command.



### TO RETURN TO IPI (INTERMITTENT PILOT) MODE:

Repeat steps one and two, and then press DOWN on the **UP / DOWN Arrow Key**.

The module in the fireplace will beep once to confirm command.

## Lockout Reset Procedures – Proflame 2

If the fireplace has cycled too many times in a short period of time, it will shut down and become unresponsive to any new command. The LED light on the Proflame 2 module in the fireplace will be flashing red.

This condition is a **Lockout** state.

### Lockout Reset Procedure:

**Disconnect power** from the Proflame 2 module in the fireplace for 10 seconds. This includes removing the **backup batteries**.

Once the 10 second interval has passed, reconnect power and reinstall backup batteries. The pilot should now try to light.

If the fireplace does not come on, call your fireplace technician.

## Proflame 2 Remote Control

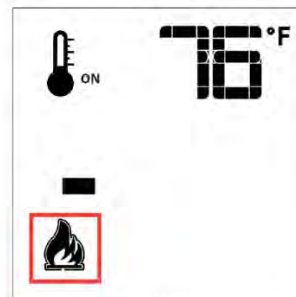
### Remote-Flame Control

The proflame has six (6) flame levels. With the system on, and the flame level at the maximum in the appliance, pressing the Down Arrow Key once will reduce the flame height by one step until the flame is turned off.

The Up Arrow Key will increase the flame height each time it is pressed. If the Up Arrow Key is pressed while the system is on but the flame is off, the flame will come on in the high position. ( Fig. 7 & 8 ) A single "beep" will confirm reception of the command.



Fig. 7: Flame Off



Flame Level 1

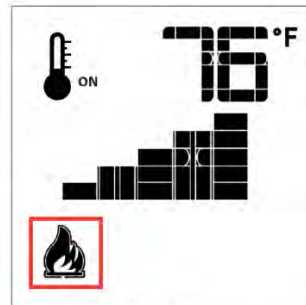


Fig. 8: Flame level 5



Flame Level Maximum

### Room Thermostat ( Transmitter Operation)

The Remote Control can operate as a room thermostat. The thermostat can be set to a desired temperature to control the comfort level in a room.

To activate this function, press the Thermostat Key (Fig. 1). The LCD display on the Transmitter will change to show that the room thermostat is "ON" and the set temperature is now displayed (Fig. 9). To adjust the set temperature, press the Up or Down Arrow Keys until the desired set temperature is displayed on the LCD screen of the Transmitter.

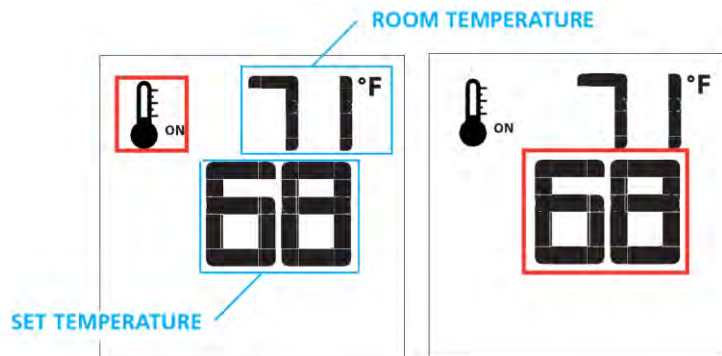


Fig. 9

Fig. 10

## Smart Thermostat (Transmitter Operation)

The Smart Thermostat function adjusts the flame height in accordance to the difference between the set point temperature and the actual room temperatures. As the room temperature gets closer to the set point the Smart Function will modulate the flame down. To activate this function, press the Thermostat Key (Fig. 1) until the word "SMART" appears to the right of the temperature bulb graphic (Fig. 11).

To adjust the set temperature, press the Up or Down Arrow Keys until the desired set temperature is displayed on the LCD screen of the Transmitter (Fig. 12).

**Note:**  
When Smart Thermostat is activated, manual flame height adjustment is disabled.

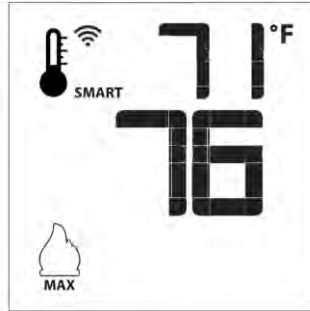


Fig. 11: Smart flame function



Fig. 12

## Fan Speed Control

If the appliance is equipped with a hot air circulating fan, the speed of the fan can be controlled by the Proflame system. The fan speed can be adjusted through six (6) speeds. To activate this function use the Mode Key (fig.1) to index to the fan control icon (Fig. 13). Use the Up/Down Arrow Keys (Fig.1) to turn on, off or adjust the fan speed (fig. 14). A single "beep" will confirm reception of the command.



Fig. 13

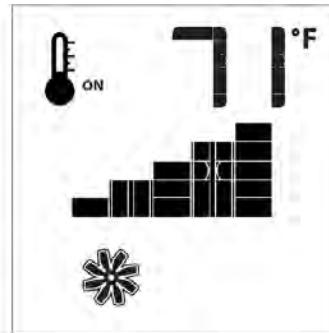


Fig. 14

## Remote dimmer control (Light)

The auxiliary function controls the AUX power outlet by the dimmable light control. To activate this function use the Mode Key (fig. 1) to index to the AUX icon (fig. 15 & 16).

The intensity of the output can be adjusted through six (6) levels. Use the Up/Down Arrow Keys (Fig.1) adjust the output level (fig. 16). A single "beep" will confirm reception of the command.

**Note:**  
This function is only available in Room Thermostat or Smart Thermostat Control Mode.



Fig. 15

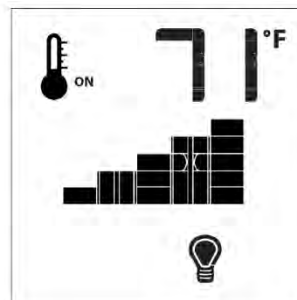
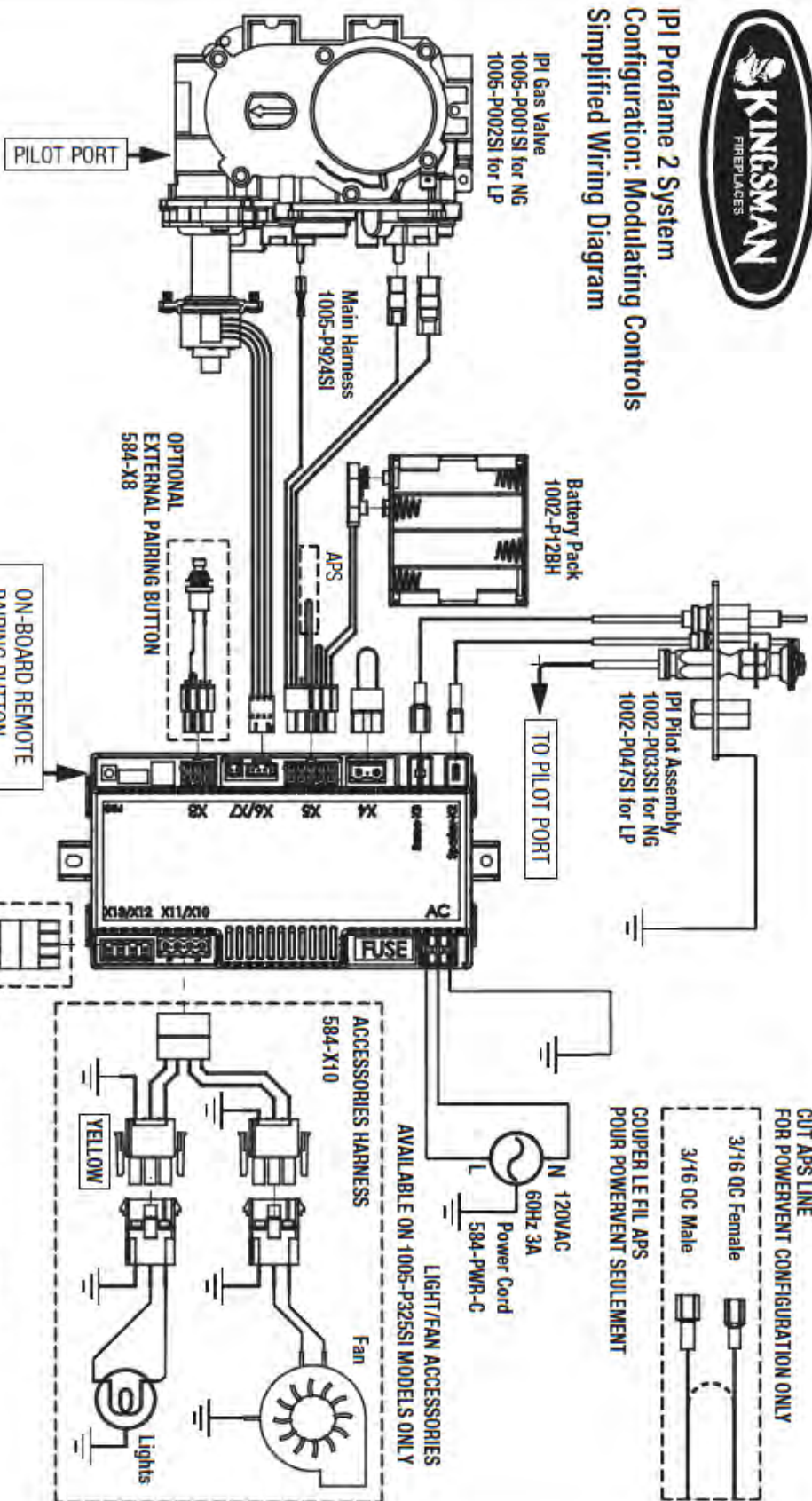


Fig. 16



**IPI Profiame 2 System  
Configuration: Modulating Controls  
Simplified Wiring Diagram**



Manufactured by: Kingsman Fireplaces  
2340 Logan Avenue  
Winnipeg, MB R2R 2V3

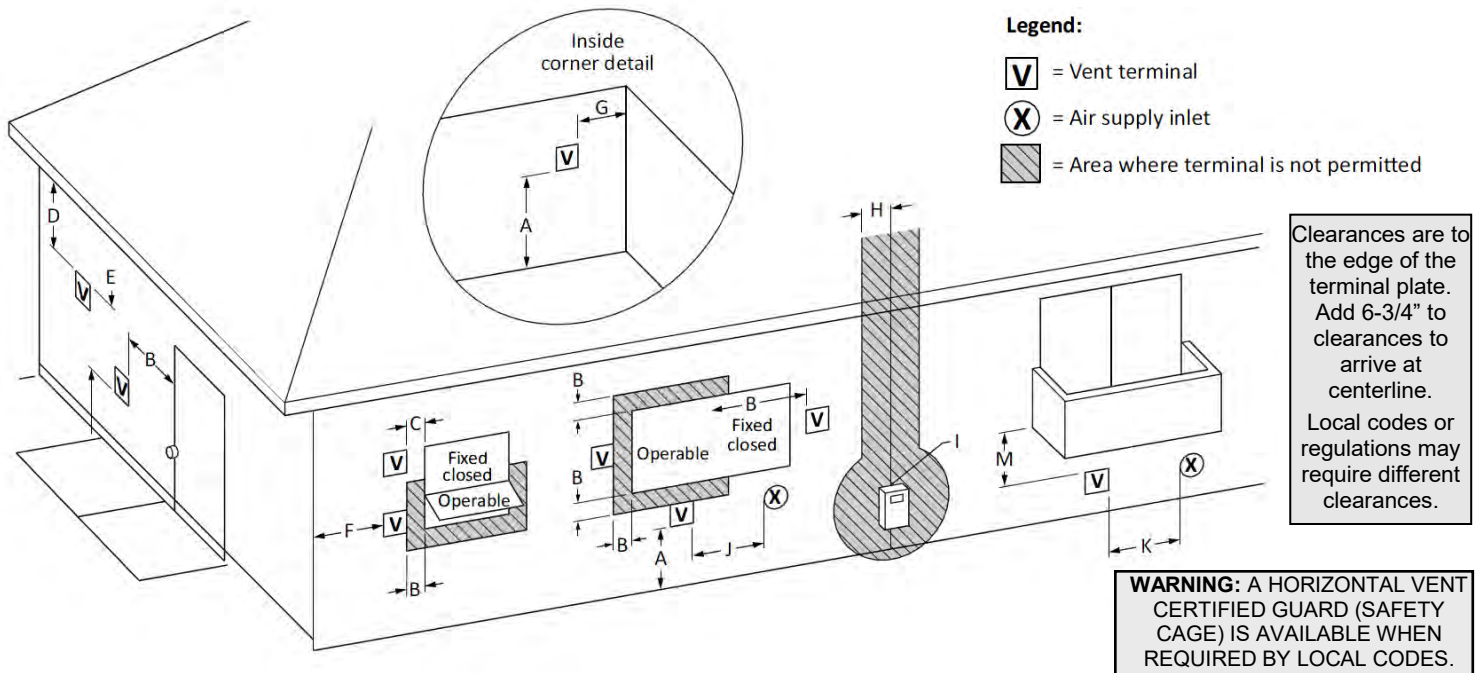
For use with all Kingsman manufactured IPI Profiame 2 models, for all types of gas noted on rating plate. Supply 120VAC 60Hz 3A, 6 volts battery backup.

Pour utilisation avec tous les modèles IPI Profiame 2 fabriqués par Kingsman, pour tous les types de gaz noté sur la plaque signalétique. Voltage d'alimentation: 120VAC 60Hz 3A et 6 volts pour le bloc-piles de secours.

This component should be installed by a qualified service agency.  
Cette composante doit être installée par une entreprise de service qualifiée.

Part #1005-P2SCH

# Vent Terminal Clearances



		<b>Canadian installations<sup>1</sup></b>	<b>US installations<sup>2</sup></b>
<b>A</b>	Clearance above grade, veranda, porch, deck, or balcony	12 in (30 cm)	12 in (30 cm)
<b>B</b>	Clearance to window or door that may be opened	6 in (15 cm) for appliances ≤ 10,000 Btu/h (3 kW), 12 in (30 cm) for appliances > 10,000 Btu/h (3 kW) and ≤ 100,000 Btu/h (30 kW), 36 in (91 cm) for appliances > 100,000 Btu/h (30 kW)	6 in (15 cm) for appliances ≤ 10,000 Btu/h (3 kW), 9 in (23 cm) for appliances > 10,000 Btu/h (3 kW) and ≤ 50,000 Btu/h (15 kW), 12 in (30 cm) for appliances > 50,000 Btu/h (15 kW)
<b>C</b>	Clearance to permanently closed window	12 inches (30cm) recommended to prevent condensation on window	12 inches (30cm). 9 inches (23cm) for appliances 50,000 Btu's and lower
<b>D</b>	Vertical clearance to ventilated soffit located above the terminal within a horizontal distance of 2 feet (61 cm) from the center line of the terminal	18 inches (46cm)	18 inches (46cm)
<b>E</b>	Clearance to unventilated soffit	12 inches (30cm)	12 inches (30cm)
<b>F</b>	Clearance to outside corner	3" *	3" *
<b>G</b>	Clearance to inside corner	3" *	3" *
<b>H</b>	Clearance to each side of center line extended above meter/regulator assembly	3 ft (91 cm) within a height 15 ft (4.5 m) above the meter/regulator assembly	3 ft (91 cm) within a height 15 ft (4.5 m) above the meter/regulator assembly
<b>I</b>	Clearance to service regulator vent outlet	3 ft (91 cm)	3 ft (91 cm)*
<b>J</b>	Clearance to non-mechanical air supply inlet to building or the combustion air inlet to any other appliance	6 in (15 cm) for appliances ≤ 10,000 Btu/h (3 kW), 12 in (30 cm) for appliances > 10,000 Btu/h (3 kW) and ≤ 100,000 Btu/h (30 kW), 36 in (91 cm) for appliances > 100,000 Btu/h (30 kW)	6 in (15 cm) for appliances ≤ 10,000 Btu/h (3 kW), 9 in (23 cm) for appliances > 10,000 Btu/h (3 kW) and ≤ 50,000 Btu/h (15 kW), 12 in (30 cm) for appliances > 50,000 Btu/h (15 kW)
<b>K</b>	Clearance to a mechanical air supply inlet	6 ft (1.83 m)	3 ft (91 cm) above if within 10 ft (3 m) horizontally
<b>L</b>	Clearance above paved sidewalk or paved driveway located on public property	7 ft (2.13 m)†	7 ft (2.13 m)*
<b>M</b>	Clearance under veranda, porch deck, or balcony	12 in (30 cm)‡	12 in (30 cm) *

**Notes:**

- 1) In accordance with the current CSA B149.1, Natural Gas and Propane Installation Code.
- 2) In accordance with the current ANSI Z223.1/NFPA 54, National Fuel Gas Code.
- \* Clearance in accordance with local installation codes and the requirements of the gas supplier.
- † A vent shall not terminate directly above a sidewalk or paved driveway that is located between two single family dwellings and serves both dwellings.
- ‡ Permitted only if veranda, porch, deck, or balcony is fully open on a minimum of two sides beneath the floor.

It is imperative that the vent termination be located observing the minimum clearances as shown. There must not be any obstruction such as bushes, garden sheds, fences, decks or utility buildings within 24" from the front of the termination plate.

Do not locate termination where excessive snow or ice build-up may occur. Be sure to check vent termination area after snow falls and clear to prevent accidental blockage of venting system. When using snow blowers, make sure snow is not directed towards vent termination area.

Venting terminal shall not be recessed into a wall or siding. If finishing the outside wall with vinyl or wood siding it is recommended that a Siding Shield be installed, Part Number ZDVSSLR.

# General Vent Installation Information

This gas appliance is approved to be vented either through the side wall or vertically through the roof. Only Kingsman Flex (Z-Flex) Venting Kits and components specifically approved and LABELED for this stove may be used. This appliance is also approved for use with 5 x 8 M&G-Duravent Direct Vent system (Model DV-GS Series) and Snorkel, BDM Pro Form Direct Vent, Ameri-Vent Direct Vent Pipe System, ICC Excel Direct, Metal Fab Sure-Seal DV and Selkirk Direct Temp.

## RIGID OR HARD PIPE

Follow installation instructions provided by M&G-Duravent/Ameri-Vent/Selkirk Direct Temp, ICC Excel Direct, and Metal Fab Sure-Seal DV for installation of pipe and adhere to the clearance to combustibles provided in this manual. Apply a bead of Mill Pac high temp sealant to all joints of pipes, adapters and termination, when using Kingsman Flex (Z-Flex) venting and M&G-Duravent venting.

## FLEX PIPE VENTING

Kingsman Flex pipe is shipped in unexpanded length. When installing pipe expand the lengths. Pipe can be expanded to twice their lengths e.g. 4ft to 8ft. Fully expand pipe and cut off excess. Do not use more than 2 couplers (**Order ZDV5FC & ZDV8FC – DO NOT fabricate couplers**) to extend short pipes. Single sections are preferred in an installation attaching at the fireplace and termination.

Place the spring spacers provided approximately every two feet to stabilize 5" flex in the center of 8" flex. When forming bends place spring in bend or before and after. (See Fig. 1). Horizontal runs require support metal straps every 2 feet. In offset installation support straps should be used to stabilize pipe.

Expand 5" and 8" flex pipe to the point that the 8" protrudes approximately 2 to 3 inches past outer wall and the 5" flex protrudes approximately 2 to 3 inches past the 8" flex. (See Fig. 1). Attach the 5" pipe to the termination first and secure with sealant and screws then attach the 8" flex to the termination with caulking and screws. Termination may then be moved back to the outer wall and attached to home screwing into the framing. Silicone around termination to waterproof. If siding shield is going to be used attach this using same attaching hole as the top of termination after termination has been caulked for water proofing.

### Use Hi Temp Sealant

Apply a bead of Mill Pac high temp sealant to all joints and use four screws to secure each pipe at fireplace, termination and any joint if joining any sections of pipe.

## FRAMING DIMENSION

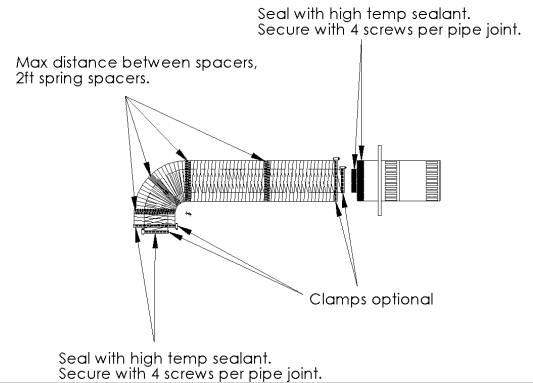
### Combustible Wall

Cut a 12" hole through exterior wall and frame as shown below.

### Non Combustible Wall

Cut or drill 9" diameter hole.

Figure 1



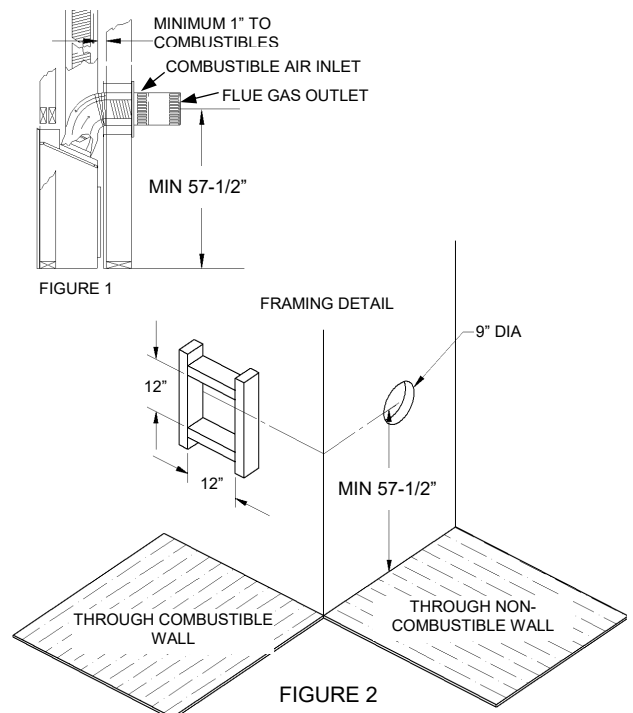
**NOTE:** It is critical to the proper and safe operation of this fireplace that on all connections the inner liner and the outer casing are both caulked with liberal amounts of sealant. Do not use any kind of tape or silicone other than that recommended in this manual, Mill Pac Sealant

**⚠ WARNING: DO NOT mix parts from different systems unless stated in the manual.**

## Installation of Side Wall Venting

- To determine the minimum distance from the bottom of fireplace to center of vent see the **Framing Your Gas Fireplace** section. Cut a hole through the wall allowing for a 12" x 12" (inside diameter) in combustible walls for wall thimble or a 9" diameter hole in a non-combustible wall (See Figure 2).
- For the clearance to combustible above a 90 degree bend see **Clearance to Combustibles** section.
- Select the approximate vent length, precise measurements are not needed as your flex pipe can be expanded to twice its s
- hipped length for ease of installation
- To install wall thimble center over 12" x 12" (inch) framing from both sides of wall and secure. Route flex vent pipe through wall thimble (See Figure 1).
- Before joining pipes, apply a bead of high temperature sealant (Mill Pac) to end of pipe. First attach the five inch (5") flue pipe to the vent termination with sealant, and secure with the four screws provided. At this time make sure the spacer springs are attached to the (5") flex pipe as required. Then attach the eight inch (8") pipe by the same method.
- Mount vent termination and seal to wall using caulking around the wall thimble to weather proof. After installing the vent termination, double check to make sure the pipe extends properly through wall thimble and into vent termination.
- Before joining pipes to fireplace flue, apply a bead of high temperature sealant (Mill Pac) to end of pipe. First attach the five inch (5") flue pipe to fireplace with sealant, and secure with the four screws provided. At this time verify that the spacer springs are attached properly to the (5") flex pipe as required. Then attach the eight inch (8") pipe by the same method.
- Support horizontal pipes every two (2) feet (61 cm) with metal strap bands. Re-check fireplace to make sure it is level and properly positioned and secured.
- Support vertical pipes to maintain a minimum of 1" or greater clearance to combustibles with metal strapping bands.
- If finishing the outside wall with vinyl or wood siding it is recommended that a Siding Shield be installed, Part Number ZDVSSLR.

**Note: Vent Termination must not be recessed into wall or siding.**



**WARNING: A HORIZONTAL VENT CERTIFIED GUARD (SAFETY CAGE) IS AVAILABLE WHEN REQUIRED BY LOCAL CODES.**

# Venting Routes And Components

## Venting Routes and Components

Since it is very important that the vent system maintain its balance between the combustion air intake and the flue gas exhaust, certain limitations as to vent configurations apply and must be strictly adhered to.

The table showing the relationship between vertical and horizontal side wall venting will help to determine the various vent lengths.

The maximum horizontal run is 20 ft/6.1 m when the vertical run is 8 ft/2.4m (Figure #2). Note: 1/4" vertical rise is required for every 12" of horizontal run.

The maximum number of 45 degree bends per side wall installation is two (2) in the horizontal run and then you must reduce the length of the horizontal by 18 inches for each 45 degree bend.

The maximum vertical run is 43 ft/13.1 meters.

Special Note: For each 45 degree bend installed in the horizontal run, the length of the horizontal run must be reduced by 18" (45cm). This does not apply if the 45 degree bends are installed on the vertical part of the vent system.

**Example:** If according to the table, the length of the horizontal run is 10 feet, and two 45 degree bends are required, the horizontal run length must be reduced to 7 feet.

2 additional 90° bends or equals are allowed. The horizontal run must be reduced by 36" per each 90° bend, or 18" per each 45° bend.

**IMPORTANT:** Always locate the fireplace in such a way that a minimum of offsets and/or horizontal runs are required. 1/4" vertical rise is required for every 12" horizontal run.

## How to Use the Horizontal Vent Table

1. Determine the height of the system and the number of bends required.
2. Having determined the vertical distance determine the maximum horizontal section allowed.
3. Vent table has been established for 90° horizontal/vertical runs. With use of flex pipe distance not having 90° bends will not fall into vent table standards. See Fig. B.

### -Horizontal Venting Table from Bottom of Fireplace-

For venting to a maximum of 43ft (13.1 meters).

Total Vertical		Max Total Horizontal	
Feet	Meters	Feet	Meters
(57-1/2" Min)	1.46	1.5	.38
6	1.8	5	1.5
7	2.1	8	2.4
8	2.4	20	6.1
9	2.75	20	6.1
10	3.0	20	6.1
11	3.4	20	6.1
12	3.7	20	6.1
13	4.0	20	6.1
14	4.3	20	6.1
15	4.6	20	6.1
20	6.1	20	6.1
25	7.6	15	4.6
30	9.1	10	3.0
43 (Max)	13.1	0	0

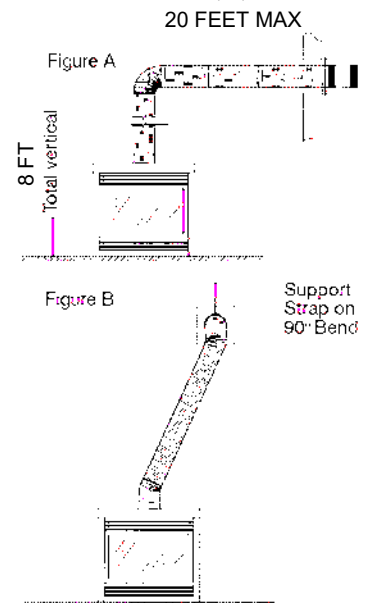
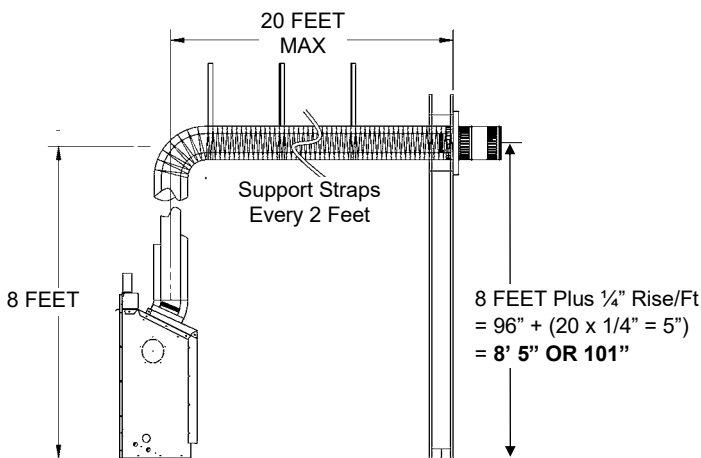
**NOTE:** Any length of vent run *less* than the maximum is acceptable (such as up and out) provided that clearances to combustibles are maintained and proper procedures are followed.

Example A:

If the vertical dimension from the floor of the fireplace is 8ft, the horizontal run to the wall flange of the vent termination must not exceed 20ft.

**NOTE:** The final location of the fireplace must be such that the horizontal vent dimensions fall within those stated on the graph. The Maximum Vertical vent run is 43ft. (13.1 meters).

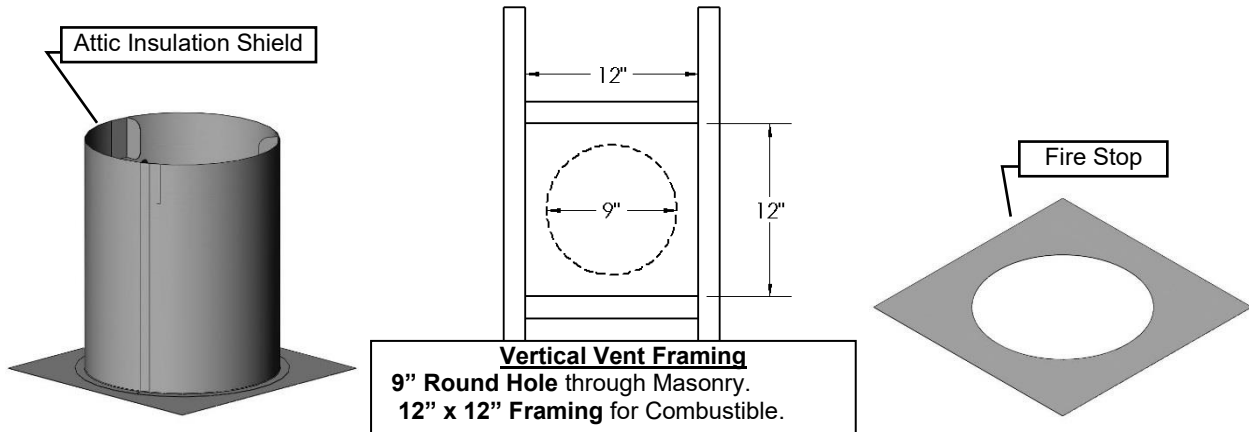
**Important:** Minimum clearance between vent pipes and combustible materials is 1 inch (25mm).





## Venting Straight Up Through Roof

An Attic Insulation Shield must be installed where the vent passes from a lower living space into an attic space where the chimney is not enclosed. It is designed to keep insulation materials away from the chimney. When installing the Attic Insulation Shield where the chimney passes from a living space to an attic space, install the shield from below and nail in place using 1" spiral nails. A fire stop must be installed on the bottom side of the joists when passing through a ceiling or floor. If an attic insulation shield is to be used, a fire stop is not required.



### Using Flex Bends

Avoid cutting joists by offsetting the flex pipe.  
When using 45° bends a bend support is required directly above the highest bend.  
When installing a bend in a joist area a minimum of 4" clearance to combustibles to the top of bend must be maintained, sides and bottom of pipe, a 1" clearance to combustibles must be maintained. If running horizontal through an area a 1-1/2" minimum clearance to the top of the horizontal pipe must be maintained.  
Maximum vertical height of system should not exceed 43 feet.  
Use roof support and rigid pipe at roof level. Flex pipe is not permitted within roof support.  
When penetrating the roof a rigid galvanized pipe must be used. Attach flex pipe to the rigid pipe with high temperature sealant, secure with four screws assuring the flex pipe and rigid pipe are secured. Attach rigid pipe to termination with sealant and screw with 4 sheet metal screws. The inner flex pipe must be secured with 4 screws which must penetrate both the flex pipe and inner section of termination. Attach 8" rigid pipe to 8" termination with sealant and screw with 4 sheet metal screws.  
Vertical termination clearance is 18" [45.7cm] above the roof, measured from highest point of exit on the roof line.  
Support vertical pipes to maintain minimum of one inch or greater clearances to combustibles.

### Roof Flashing

Ensure that you have the proper roof flashing by checking your roof pitch using a level and two rulers, or by using a roof pitch card. Slide a Roof Flashing suitable to your roof slope over the vent. Place the edge of the flashing plate that will be on the higher part of the roof slope under the shingles. Both the sides and the lower edge lay on top of the shingles.

**NOTE: At the top edge of the flashing plate, lift the shingles and nail the plate to the roof deck, then cement the shingles to the plate with a suitable waterproof mastic.**

Ensure that the chimney is plumb. Square up the flashing plate and nail in place to the roof deck. Use 12 nails with neoprene washers or cover the heads with a suitable waterproof mastic. Wrap the storm collar around the vent above the flashing. Secure the ends together loosely with nut and bolt supplied. Slide the collar down the vent until it comes in contact with the flashing. Tighten the bolt and seal the Storm Collar to the vent with a suitable waterproof non-combustible mastic.

The flashing and storm collar should be painted to match the roof shingles. This will extend its life and improve the appearance. Clean, prime and paint with suitable painting products.

### Vertical Venting in Cold Climates

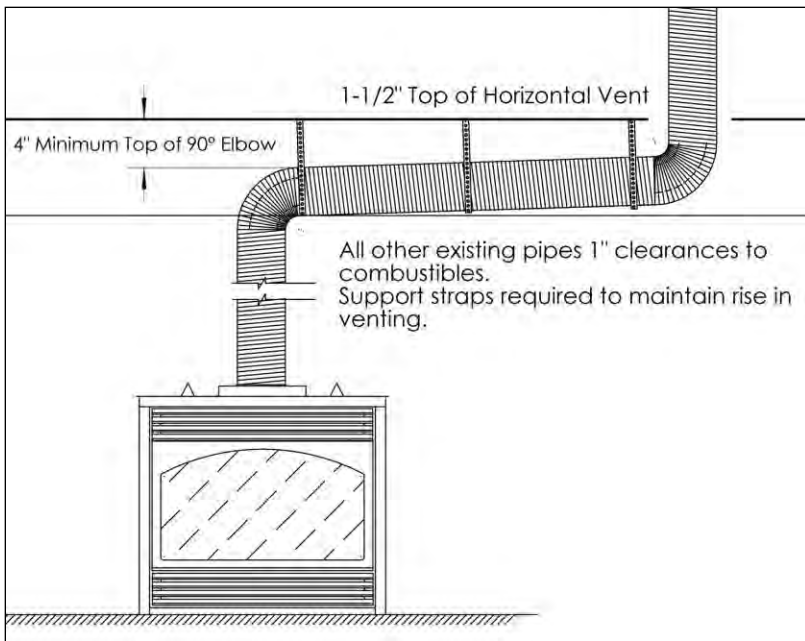
In cold climate conditions where temperatures go below -10 degrees Celsius or 14 degrees Fahrenheit, we recommend that the chase be insulated and where the vent pipe enters into the attic space that the pipe be wrapped with an insulated Mylar sleeve. This will increase the temperature of the vent and help the appliance to vent properly in cold weather conditions.

It is also important in vertical vented direct vent appliances that the appliance be operated daily during the winter months as this will help stop the termination from freezing up.

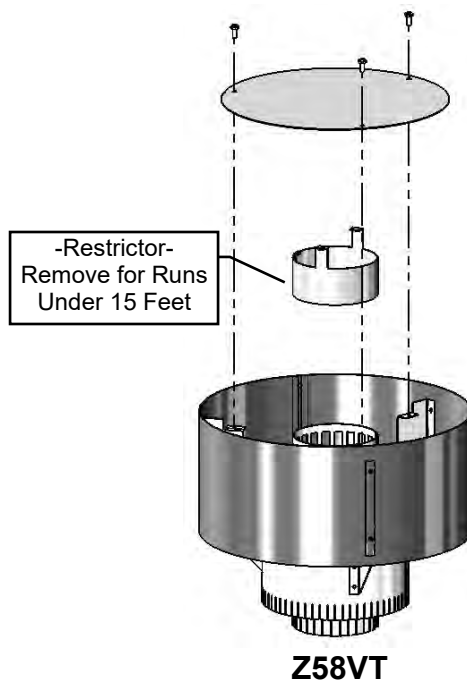
We recommend using a thermostat set at room temperature to allow the unit to cycle.

For IPI models it may be necessary to set the appliance to Standing Pilot mode to maintain heat in the cavity. The purpose of this procedure is to prevent cold air from penetrating the chimney and then onto the living space. Therefore, when the internal temperature is slightly elevated the fireplace is able to freely exhaust its combustion and hence making it easier to start up.

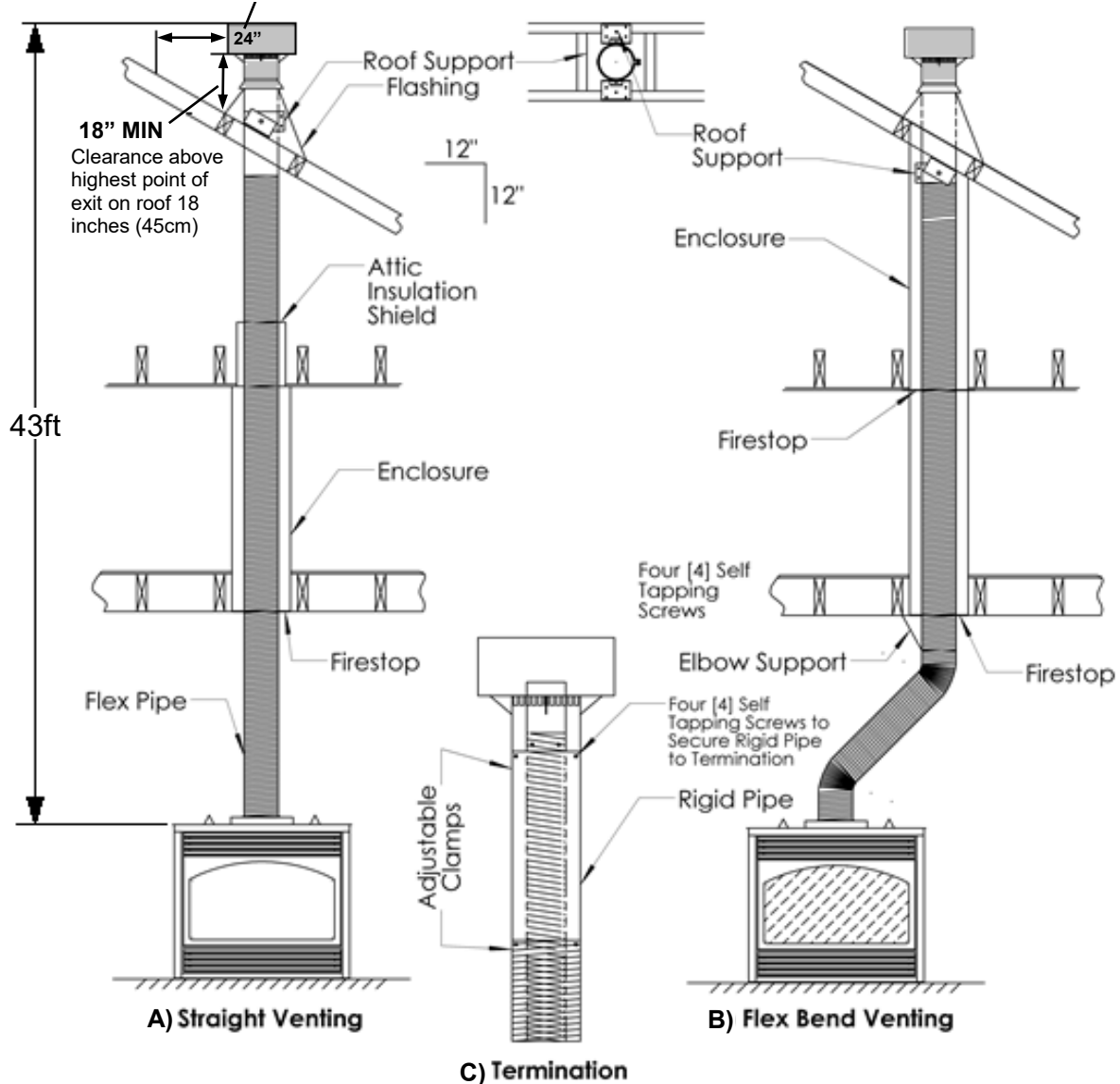
**-ALSO SEE DIAGRAMS ON FOLLOWING PAGE-**



Clearances in horizontal venting.



Clearance to perpendicular wall 24 inches (60 cm). (Recommended to prevent recirculation of exhaust products. For additional requirements check local codes.)



A) Straight-through roof support configuration; B) Flex bend configuration; C) Termination mounting

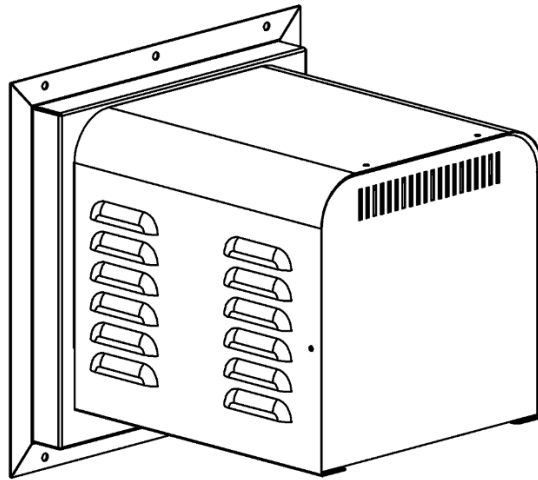
## Approved for Power Vent PVH58

**- This appliance is approved for use with the Kingsman PVH58 Horizontal Power Vent -**

The PVH58 Horizontal Power Vent Termination is intended for use where standard venting configurations are not possible.

**NOTE:** MODELS EQUIPPED WITH MILLIVOLT/ STANDING PILOT IGNITION: Downward vertical vent runs are **NOT** permitted.

**NOTE:** MODELS EQUIPPED WITH INTERMITTENT PILOT IGNITION (Proflame 1 or Proflame 2): Downward vertical vent runs are permitted, however, Cold Climate Switch (Standing Pilot Mode) must **NOT** be used.



### **PVH-58 Maximum / Minimum Vent Lengths:**

**Maximum** Vent Length is 125 ft plus six 90° elbows with Air Intake Shutter fully closed. Termination must not be below unit.

This power vent can be installed up to **8ft** below the installed fireplace on runs less than 100ft and not more than four 90° elbows.

**Minimum** Vent Length is 1 FT vertical x 3 FT horizontal x 3 FT vertical x 3 FT horizontal (See PVH58 manual).

Seven 90° elbows are possible if the total horizontal is not more than 25ft and the vertical does not exceed 15ft.

Refer to PVH58 Manual for proper installation and use.



**PVH58 HORIZONTAL POWER VENT TERMINATION:**

Listed for Canada and USA

<b>NUMBER</b>	<b>DESCRIPTION</b>
---------------	--------------------

**MQVL48 / MQVLB48 VENTING AND VENTING ADAPTERS**

**-For Power Vent installations where flex pipe will be used up to the Power Vent unit:**

Z58PVA	Flex Connector Set- ZDV5FC (5" Flex Connector), ZDV8FC (8" Flex Connector)
--------	--

\* One 12" section of hard pipe must be connected directly to the Power Vent before any adapters are connected.

Order the appropriate lengths of venting (see below).

Z58FK5	Flex Kit (5" & 8" Dia.) x 2.5' (Unexpanded) 5' Expanded
--------	---

Z58FK8	Flex Kit (5" & 8" Dia.) x 4' (Unexpanded) 8' Expanded
--------	---

Z58FK20	Flex Kit (5" & 8" Dia.) x 10' (Unexpanded) 20' Expanded
---------	---

\*Kits are complete with spring stand-offs & silicone.

ZDV5FC	Flex Connector 5" Diameter
--------	----------------------------

ZDV8FC	Flex Connector 8" Diameter
--------	----------------------------

ZDV4SS	Spring - Standoff Spacer for Inner Pipe
--------	---

**PVH58 TERMINATION COMPONENT PARTS:**

58PVH-230S	Blower Motor and Housing Assembly
------------	-----------------------------------

58PVH-230F	Blower Motor and Housing Assembly
------------	-----------------------------------

58PVH-P118	Gasket
------------	--------

58PVH-P9372	Vacuum Switch
-------------	---------------

58PVH-P119	Silicone Tubing for Vacuum Switch
------------	-----------------------------------

58PVH-P3211	3/4" K.O. Bushing
-------------	-------------------

58PVH-WTA	Wall Thimble Assembly
-----------	-----------------------

PVH20H	Main Wiring Harness Assembly – Extension Harness (20ft)
--------	---

**PVC58MV      Power Vent Control Module – Millivolt Box**

58PVH-P124	Double Pole Switch
------------	--------------------

58PVH-P421	Timer Switch
------------	--------------

**PVC58IPI      Power Vent Control Module – IPI Box**

58PVH-P421	Timer Switch
------------	--------------

58PVH-P156	Relay
------------	-------

58PVH-P487	Relay Socket
------------	--------------

# MQVL48 / MQVL48B Fireplace Models

## MARQUIS FIREPLACES

### Single Side Fireplaces

MQVL48N	(Millivolt) Fireplace Heater rated, NG, Ceramic Glass, Low E Tempered Glass Safety Barrier, Lights
MQVL48LP	(Millivolt) Fireplace Heater Rated LP, Ceramic Glass, Low E Tempered Glass Safety Barrier, Lights
MQVL48NE	(IPI) Fireplace Heater Rated NG, Ceramic Glass, Low E Tempered Glass Safety Barrier, Lights
MQVL48LPE	(IPI) Fireplace Heater Rated LP, Ceramic Glass, Low E Tempered Glass Safety Barrier, Lights
MQVL48NE2	(IPI System 2) Fireplace Heater Rated NG, Ceramic Glass, Low E Tempered Glass Safety Barrier, Lights
MQVL48LPE2	(IPI System 2) Fireplace Heater Rated LP, Ceramic Glass, Low E Tempered Glass Safety Barrier, Lights

### Peninsula Bay Fireplaces

MQVLB48N	Peninsula Bay Fireplace (Millivolt), Heater rated, NG, Ceramic Glass, Low E Tempered Safety Glass Barrier, Lights
MQVLB48LP	Peninsula Bay Fireplace (Millivolt) Heater Rated LP, Ceramic Glass, Low E Tempered Safety Glass Barrier, Lights
MQVLB48NE	Peninsula Bay Fireplace (IPI), Heater Rated NG, Ceramic Glass, Low E Tempered Safety Glass Barrier, Lights
MQVLB48LPE	Peninsula Bay Fireplace (IPI) Heater Rated LP, Ceramic Glass, Low E Tempered Safety Glass Barrier, Lights
MQVLB48NE2	Peninsula Bay Fireplace (IPI System 2) Heater Rated NG, Ceramic Glass, Low E Tempered Safety Glass Barrier, Lights
MQVL48BLPE2	Peninsula Bay Fireplace (IPI System 2) Heater Rated LP, Ceramic Glass, Low E Tempered Safety Glass Barrier, Lights

## MQVL48 / MQVL48B Parts List

### Fireplace Part Numbers

Part No.	Description
<b>Optional Corner Kit / Wall Surround / Side Extensions</b>	
VLBCK48	Corner Kit- Can be installed at either end of fireplace. (for use with Peninsula Bay unit only)
VL48S1BL	Surround Trim Kit – 1-1/2" Wide – Black ( for use with Single Sided Unit only) 58-1/16" x 18-1/2"
VL48S1SS	Surround Trim Kit – 1-1/2" Wide – Stainless Steel c/w Black Side Fillers ( for use with Single Sided Unit only) 58-1/16" x 18-1/2"
MQVL48SEP	Side Extension Panels - Black

### Enclosure Components

VL48EG	Enclosure Grill 3-1/2"H x 48-1/2"W, – c/w 4 louver grill (ready to paint), Outer Trim Grill Mount (ready to paint), Hidden Frame Grill Mount (Black)
VL48EGS	Enclosure Side Grills [Qty 2] (ready to paint) 16-3/16" x 7-1/4"
VL48HDS	Heat Distribution System- (Flex Pipe Not Included)
ZDV5FP6	Flex Pipe 5" Diameter x 6FT – (4 per Kit)
VL48AVP	Adjustable Vented Platform- Mounting Base for fireplace- Adjusts from 14-3/4" to 27-5/16".

### MQVL48 / MQVL48B Options

RBCB1	Cannonballs- Assorted size and colors
MQRBD1	Driftwood (x4) and Rocks (x4)
MQRBD2	Driftwood Branch Set – 3 pc. Set
MQRBD3	Driftwood Log Set – 5 pc. Set
MQRBD4	Driftwood Log Set – 3 pc. Set
MQ46D	Driftwood Log Set – ( for use with Single Sided Unit only)
MQLOGF48D	Driftwood Log Set
MQSTONE	Decorative Stones
MQROCK2	Rock Set Natural
MQROCK3	Rock Set Multi-Color
MQEMBER	Glowing Embers
ZG5C	Decorative Ember Glass –Bronze 5LB
MQG5W	Decorative Glass 1/2" White 5LB
MQG5C	Decorative Glass Bronze 5LB
MQG5A	Decorative Ember Glass Cobalt Blue 5LB
MQG5B	Decorative Ember Glass – Black 5LB
MQG5ZG	Decorative Glass- Zircon Glacier Ice 5LB

### Optional Fluted, Porcelain or Reflective Glass Liners

MQVL48RLF	Refractory Liner - Fluted - Back
MQVL48RLF	Refractory Liner - Fluted - Ends

VL48PLB	Porcelain Liner - Back
VL48PLE	Porcelain Liner – Ends

MQVL48RGB	Reflective Glass Liner - Back
MQVL48RGE	Reflective Glass Liner – Ends (L&R)

### Safety Barrier Glass and Screen

48VL-315	Low E Tempered Glass Safety Barrier [1 pc] Front
48VLB-319	Low E Tempered Glass Safety Barrier [2 pcs] Sides
48VL-Q401	Steel Screen Safety Barrier [1 pc] Front
48VLB-Q411	Steel Screen Safety Barrier [2 pcs] Sides

### Firebox Glass & Gasket

48VL-310	Ceramic Glass [1 pc] Front
48VL-312	Low E Tempered Glass [1 pc] Front
48VLB-311	Ceramic Glass- [2 pcs] Sides
48VLB-313	Low E Tempered Glass [2 pcs] Sides
48VL-020	Gasket for Firebox Glass

### Replacement Burner Assembly / Burner

48VL-200A	Fireplace Burner
48VL-BLPSI	Burner Assembly- Propane c/w Valve System (MQVL48LP)
48VL-BNGSI	Burner Assembly- Natural Gas c/w Valve System (MQVL48N)
48VL-BLPSIE	Burner Assembly- Propane c/w Valve System (MQVL48LPE)
48VL-BNGSIE	Burner Assembly- Natural Gas c/w Valve System (MQVL48NE)
48VL-BLPE2	Burner Assembly- Propane c/w Valve System (MQVL48LPE2)
48VL-BNE2	Burner Assembly- Natural Gas c/w Valve System (MQVL48NE2)

### Conversion Kit

48VL-CKLPH	LP Conversion Kit for MQVL48 Millivolt
48VL-CKNGH	NG Conversion Kit for MQVL48 Millivolt
48VL-CKLPHI	LP Conversion Kit for MQVL48 IPI
48VL-CKNGHI	NG Conversion Kit for MQVL48 IPI
48VL-CKLP2	LP Conversion Kit for MQVL48 IPI 2
48VL-CKNG2	NG Conversion Kit for MQVL48 IPI 2

### Accessories

Z1MT2	Thermostat Millivolt Wall Mount
Z80PT	Thermostat Programmable Digital Millivolt Wall Mount (1F80-40)

### Valve System Parts / Millivolt

1000-P136WR	Generator / Thermopile
1001-P069SI	Electrode Sparker 915.069 TC SIT
1001-P216SI	Thermocouple 290.216 TC SIT
1001-P165SI	Orifice Pilot NG 977.165 TC SIT

1001-P167SI	Orifice Pilot LP 977.167 TC SIT
1001-P633SI	Valve Nova LP Hi/Lo 0820651
1001-P634SI	Valve Nova NG Hi/Lo 0820652
1001-P713SI	Pilot Burner LP 199.713 TC SIT
1001-P714SI	Pilot Burner NG 199.714 TC SIT

1000-085	Control Variable Speed KBWC-13BV
FP15GC	Stainless Steel Gas Connector
3927ZDV-P779-1	Bulb 10W 12V 64418 or [Sylvania 58691] (light bulbs NOT covered under Warranty.)
5143-P77912	Lamp Assembly 58mm (light bulbs NOT covered under Warranty.)
3927ZDV-P601	Transformer MET60-1

### Remote Control / Millivolt

GFRC	Remote Control Millivolt / IPI – On/Off
GTRC	Remote Control Millivolt - Thermostat
GTMRCN	Remote Control Millivolt – Thermostat/Modulating - NG
GTMRCP	Remote Control Millivolt – Thermostat/Modulating - LP
GTFRCN	Remote Control Millivolt – Thermostat/Modulating/Fan - NG
GTFRCP	Remote Control Millivolt – Thermostat/Modulating/Fan - LP

### Electronic Ignition/Remote Control IPI

EGTRC	Remote Control IPI (Thermostat)
EGTMRCN	Remote Control IPI (Thermostat/Modulating - NG)
EGTMRCP	Remote Control IPI (Thermostat/Modulating - LP)
EGTFRCN	Remote Control IPI (Thermostat/Modulating/Fan - NG)
EGTFRCP	Remote Control IPI (Thermostat/Modulating/Fan - LP)

### Electronic Ignition Replacement Parts IPI

1006-P002si	Valve IPI (NG; Hi/Lo)
1006-P003si	Valve IPI (LP; Hi/Lo)
1002-P047si	Pilot Assembly (LP)
1002-P033si	Pilot Assembly (NG)
1002-P089si	Spark Electrode (Long)
1002-P113si	Electrode Flame Sensor (Long)
1002-P302si	IPI Ignition Board
1002-P850si	AC Wall Adapter
1002-P12BH	Battery Pack
1002-P912si	Wiring Harness
1001-P166si	Orifice Pilot (NG)
1001-P168si	Orifice Pilot (LP)
1002-P013si	Stepper Motor (NG)
1002-P012si	Stepper Motor (LP)
1002-P016si	Hi/Lo Regulator (NG)
1002-P014si	Hi/Lo Regulator (LP)

### Miscellaneous Parts

1000-150GE	Silicone GE Red IS806 #736
1000-150MP	Hi-Temp Millpac Sealant 840099
1000-214	Piezo-Igniter 1244-17 MARK 21
1000-215	Pal Nut (18MMXI.5MM)BLK (1364.03)
1000-218	Switch Ivory (1451/001)
1000-227	Cover Ivory (86001/001)
1000-255	Orifice Brass - (State Size)
2000-080	Thermodisc 2450 (For Blower)
1000-306	Thermalcord - Adhesive Back for Door Frame

### Kingsman Fireplace Venting

Z58VT	Vertical Vent Termination
Z58HT	Horizontal Vent Termination
FDVHSCU	Safety Cage for Horizontal Termination
Z58AIS	Attic Insulation Shield
Z58AIS24	Attic Insulation Shield
ZDVVOS	Offset Support
Z58FS	Firestop Spacer
Z58RS	Roof Support
Z58GP36	Galvanized Pipe 5" and 8" Dia. x 36" (Vertical Installations)
Z58SS	Siding Shield
Z58WT	Wall Thimble (Horizontal Venting)
Z58WTS	Horizontal Wall Thimble Shield (For Low Enclosures)
ZDVSS	Siding Shield for FDVHT
Z58SSLR	Siding Shield - Large Return
Z58GP	Galvanized Pipe 8" Dia. x 48" (Vertical Installations)
Z58AAF	Flashing 8" c/w Storm Collar (1/12 to 7/12)
Z58AF2	Flashing 8" c/w Storm Collar (8/12 to 12/12)
Z58AF3	Flashing 8" c/w Storm Collar Flat
ZDV8SC	Storm Collar 8"
Z58FK5	Flex Kit (5" & 8" Dia.) x 2.5' (Unexpanded) 5' Expanded
Z58FK8	Flex Kit (5" & 8" Dia.) x 4' (Unexpanded) 8' Expanded
Z58FK20	Flex Kit (5" & 8" Dia.) x 10' (Unexpanded) 20' Expanded *Kits are complete with spring stand-offs & silicone.
Z58HSK5	Horizontal Round Termination Vent Starter Kit - 5/8" X 5 FT Length, Wall Thimble Shield, Horizontal Vent Termination, Wall Thimble, 60" Flex Pipe, Screws, Mill Pac.
ZDV5FC	Flex Connector 5" Diameter
ZDV8FC	Flex Connector 8" Diameter
ZDV5FCL	Flex Clamp 5"
ZDV8FCL	Flex Clamp 8"
ZDV4SS	Spring 4" Standoff Spacer



## LIMITED LIFETIME WARRANTY

This Limited Lifetime Warranty applies only while the unit remains at the site of the original installation and only if the unit is installed inside the continental United States, Alaska, Hawaii, and Canada. The warranty applies only if the unit is installed and operated in accordance with the printed instructions and in compliance with applicable installation and building codes and good trade practices.

### BASIC ONE YEAR WARRANTY

During the first year after installation, we will provide a replacement for any component part of your unit found to be defective in materials or workmanship, including labour costs. Repair work requires prior approval by Kingsman, labour costs are based on a predetermined rate schedule and any repair work must be done through an authorized Kingsman dealer.

(Excluded Components: Accent Light Bulbs, Gasketing and Paint)

### LIMITED LIFETIME WARRANTY

The heat exchanger, combustion chamber and burner of every Kingsman product excluding the Outdoor Firepit are warranted against materials or workmanship during the period the product is owned by the original owner. The part to be replaced must be returned to our distributor in exchange for the replacement part. Any labor, material, freight and/or handling charges associated with any repair or replacement pursuant to this Limited Lifetime Warranty will not be covered by this warranty.

### GENERAL TERMS

In lieu of providing a replacement part, we may, at our option, provide the distributor's component purchase price from us or a credit equal to the distributor's component purchase price from us toward the purchase of any new unit which we distribute. If a credit is given in lieu of a replacement part, the rating plate from the unit being replaced must be submitted on a warranty claim, and the unit being replaced must be made available to our distributor for disposition.

In establishing the date of installation for any purpose, including determination of the starting date for the term of this Limited Lifetime Warranty, reasonable proof of the original installation date must be presented\*, otherwise the effective date will be based upon the date of manufacture plus thirty (30) days.

We will not be responsible for and you, the user, will pay for: (a) damages caused by accident, abuse, negligence, misuse, riot, fire, flood, or Acts of God (b) damages caused by operating the unit where there is a corrosive atmosphere containing chlorine, fluorine, or any other damaging chemicals (other than in a normal residential environment) (c) damages caused by any unauthorized alteration or repair of the unit affecting its stability or performance (d) damages caused by improper matching or application of the unit or the unit's components (e) damages caused by failing to provide proper maintenance and service to the unit (f) any expenses incurred for erecting, disconnecting or dismantling the unit (g) parts or supplies used in connection with service or maintenance (h) damage repairs, inoperation or inefficiency resulting from faulty installation or application (i) electricity or fuel costs or any increase in electricity or fuel cost whatsoever including additional or unusual use of supplemental electric heat.

We shall not be liable for any incidental, consequential, or special damages or expenses in connection with any use or failure of this unit. We have not made and do not make any representation or warranty of fitness for a particular use or purpose, and there is no implied condition of fitness for a particular use or purpose. We make no express warranties except as stated in this Limited Lifetime Warranty. No one is authorized to change this Limited Lifetime Warranty or to create for us any other obligation or liability in connections with this unit. Any implied warranties shall last for one year after the original installation. Some states and provinces do not allow the exclusion or limitation of incidental or consequential damages or do not allow limitations on how long an implied warranty or condition lasts, so the above limitations or exclusions may not apply to you. The provisions of this limited warranty are in additions to and not a modification of or subtraction from any statutory warranties and other rights and remedies provided by law.

Save this certificate. It gives you specific legal rights, and you may also have other rights which may vary from state to state and province to province.

In the event your unit needs servicing, contact your dealer or contractor who installed or serviced your unit. When requesting service, please have the model and serial number from each unit readily available. If your dealer needs assistance, the distributor is available for support and we, in turn support the distributor's efforts.

Fill in the installation date and model and serial numbers of the unit in the space provided below and retain this limited warranty for your files.

Model No. \_\_\_\_\_ Serial No. \_\_\_\_\_ Date installed \_\_\_\_\_

Dealer or Contractor Name: \_\_\_\_\_

\*To receive advantage of your warranty, you must retain the original records that can establish the installation date of your unit.

**The Ultimate in Design, Engineering & Quality**