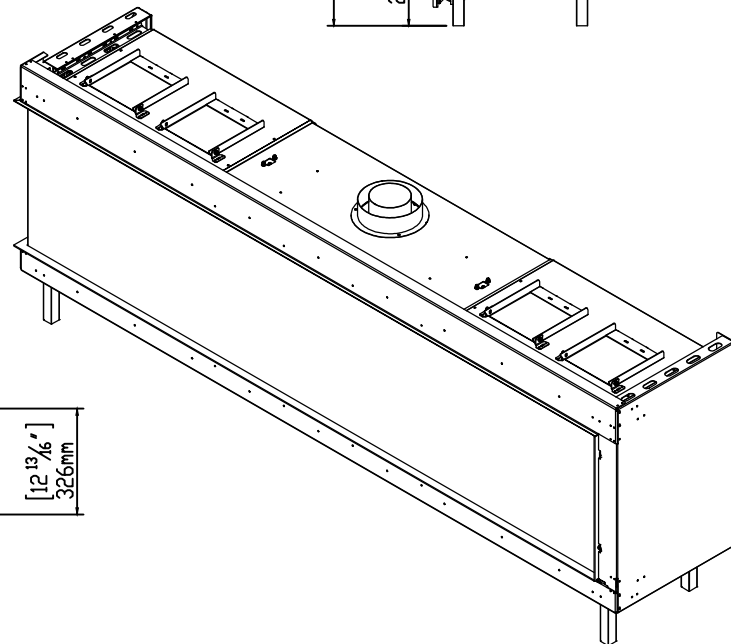
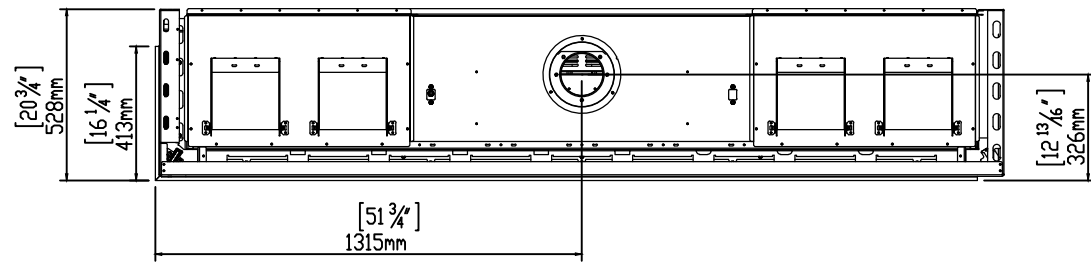
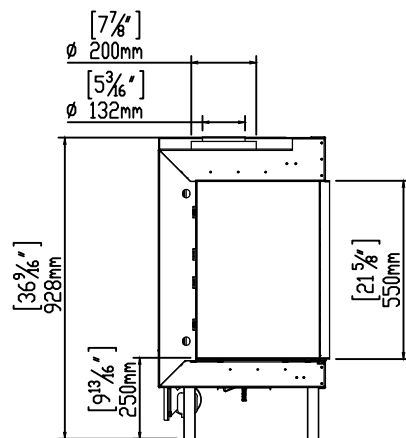
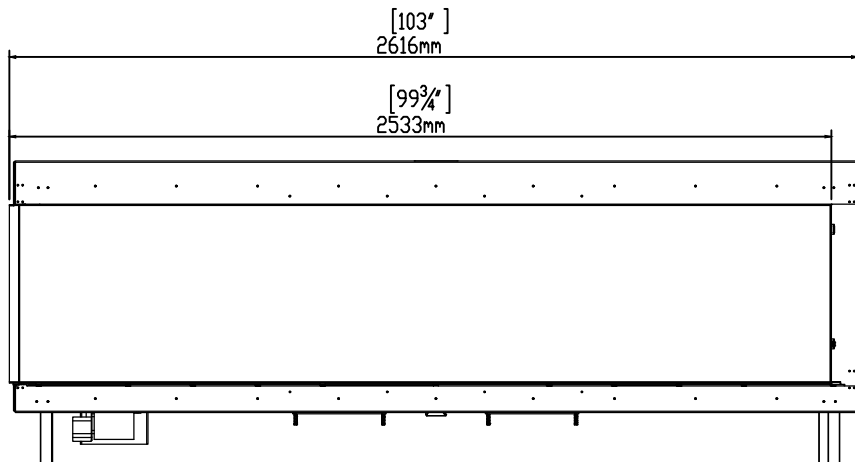


**ORTAL**  
YOUR LIFE. YOUR FIRE

250H LS  
Screen

**Manufacturer Update - Fireplace Legs Modification**  
Manufacturer Effective Date: March 20<sup>th</sup> 2018  
Serial Number Forward #15275



4/15/2018