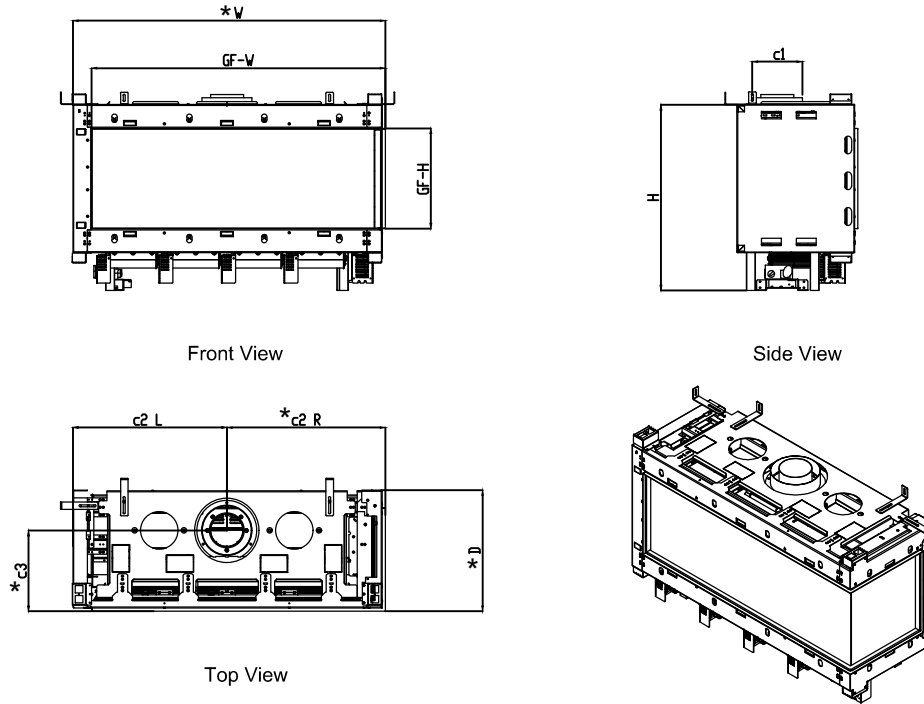


110-250 Right side /Left side Double Glass/Protective Screen - Flush



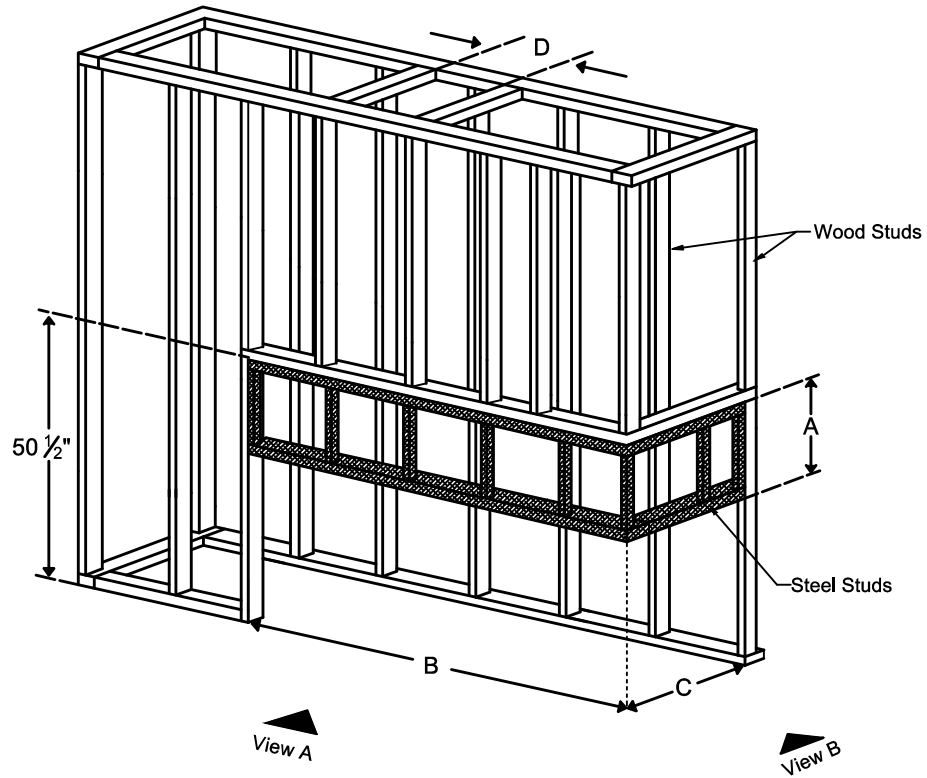
- Note : 1. on RS/LS Units C2 dimension is measured from glass side to the center of flue
2. This drawing shows RS units. for LS units swap between C2 L and C2 R dimension

Model	(H) Height	(W) Width	(D) Depth	C1	C2 L	C2 R	C3	Glass Opening	
								(GF) Front	(GS) Side
110	29 $\frac{3}{16}$ "	49 $\frac{1}{4}$ "	19 $\frac{1}{16}$ "	7 $\frac{7}{8}$ "	24 $\frac{5}{16}$ "	24 $\frac{15}{16}$ "	12 $\frac{1}{16}$ "	46 $\frac{5}{16}$ " W X 15 $\frac{3}{4}$ " H	16 $\frac{1}{4}$ " W X 15 $\frac{3}{4}$ " H
130	29 $\frac{3}{16}$ "	55 $\frac{7}{8}$ "	19 $\frac{1}{16}$ "	7 $\frac{7}{8}$ "	27 $\frac{9}{16}$ "	28 $\frac{5}{16}$ "	12 $\frac{1}{16}$ "	53" W X 15 $\frac{3}{4}$ " H	16 $\frac{1}{4}$ " W X 15 $\frac{3}{4}$ " H
150	29 $\frac{3}{16}$ "	65 $\frac{3}{4}$ "	19 $\frac{1}{16}$ "	7 $\frac{7}{8}$ "	32 $\frac{1}{2}$ "	33 $\frac{1}{4}$ "	12 $\frac{1}{16}$ "	62 $\frac{13}{16}$ " W X 15 $\frac{3}{4}$ " H	16 $\frac{1}{4}$ " W X 15 $\frac{3}{4}$ " H
170	29 $\frac{3}{16}$ "	73 $\frac{5}{8}$ "	19 $\frac{1}{16}$ "	7 $\frac{7}{8}$ "	36 $\frac{7}{16}$ "	37 $\frac{3}{16}$ "	12 $\frac{1}{16}$ "	70 $\frac{1}{16}$ " W X 15 $\frac{3}{4}$ " H	16 $\frac{1}{4}$ " W X 15 $\frac{3}{4}$ " H
200	29 $\frac{3}{16}$ "	83 $\frac{1}{16}$ "	19 $\frac{1}{16}$ "	7 $\frac{7}{8}$ "	41 $\frac{3}{16}$ "	41 $\frac{7}{8}$ "	12 $\frac{1}{16}$ "	80 $\frac{3}{16}$ " W X 15 $\frac{3}{4}$ " H	16 $\frac{1}{4}$ " W X 15 $\frac{3}{4}$ " H
250	29 $\frac{3}{16}$ "	102 $\frac{3}{4}$ "	19 $\frac{1}{16}$ "	7 $\frac{7}{8}$ "	51"	51 $\frac{3}{4}$ "	12 $\frac{1}{16}$ "	99 $\frac{3}{16}$ " W X 15 $\frac{3}{4}$ " H	16 $\frac{1}{4}$ " W X 15 $\frac{3}{4}$ " H

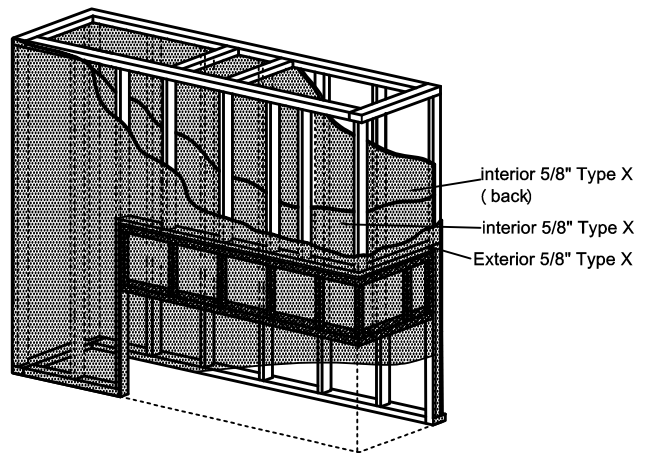
* Dimensions includes $\frac{1}{2}$ " lip (for drywall)

- Note : 1. Drawings are not to Scale
2. All dimensions in inches
3. The dimensions are both for Double Glass and Protective Screen

110-250 Right side /Left side Double Glass/Protective Screen - Flush



Model	A	B	C	D
110	20 ⁷ / ₁₆ "	51 ³ / ₈ "	21 ³ / ₁₆ "	10"
130	20 ⁷ / ₁₆ "	58"	21 ³ / ₁₆ "	10"
150	20 ⁷ / ₁₆ "	67 ⁷ / ₈ "	21 ³ / ₁₆ "	10"
170	20 ⁷ / ₁₆ "	75 ³ / ₄ "	21 ³ / ₁₆ "	10"
200	20 ⁷ / ₁₆ "	85 ³ / ₁₆ "	21 ³ / ₁₆ "	10"
250	20 ⁷ / ₁₆ "	104 ⁷ / ₈ "	21 ³ / ₁₆ "	10"

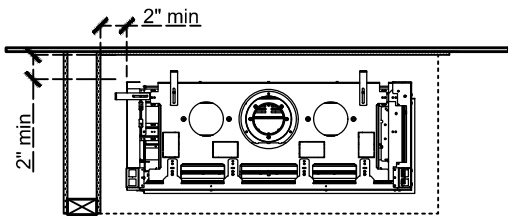
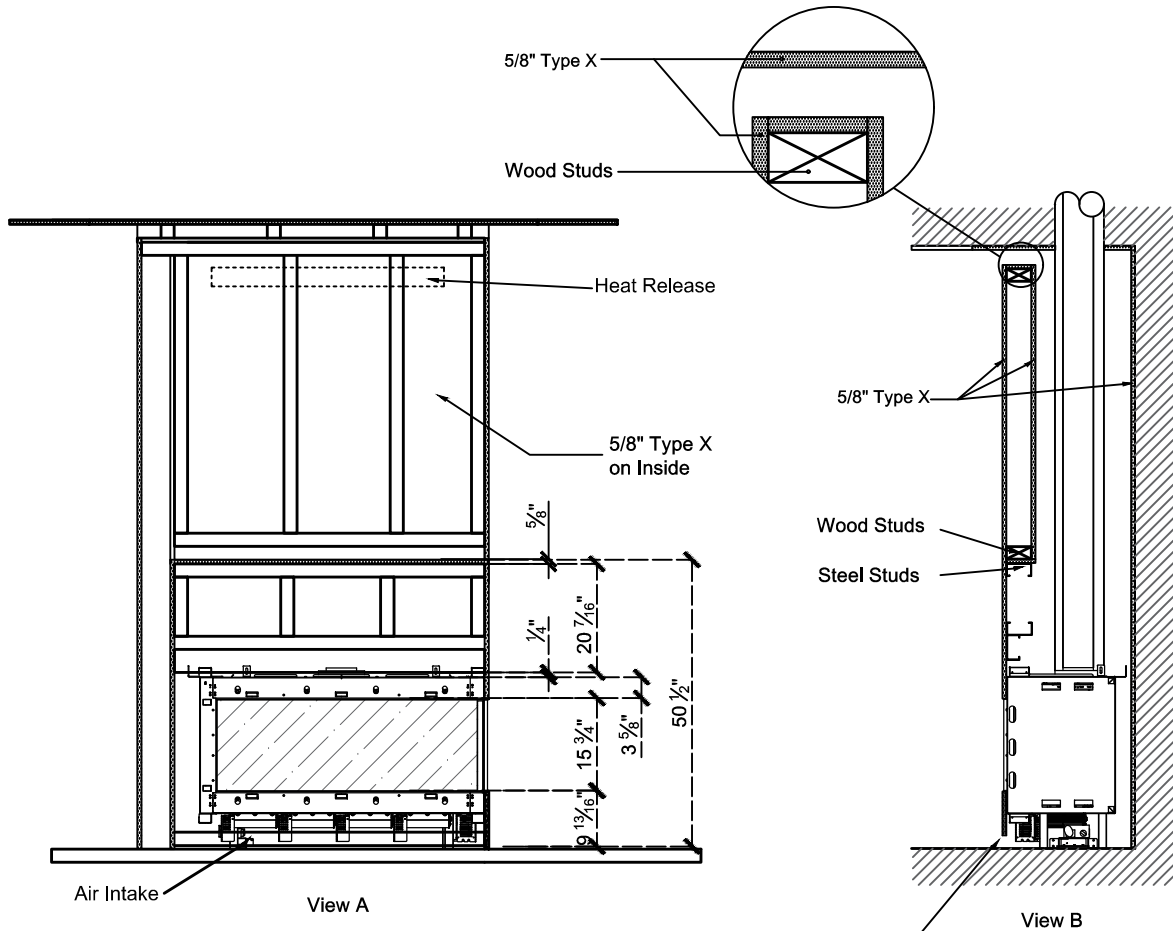


Note : 1. Drawings are not to Scale
2. All dimensions in inches
3. The dimensions are both for Double Glass and Protective Screen

LEGEND

 5/8" Type X	 Steel	 Wood
 Glass	 Wood Studs	 Steel Studs

110-250 Right side /Left side Double Glass/Protective Screen - Flush



Top View

Clearance 2" from each side to non combustible material

The valve can be moved 36" - 40" from the center of the fireplace in any direction

- Note :
1. Drawings are not to Scale
 2. All dimensions in inches
 3. The dimensions are both for Double Glass and Protective Screen