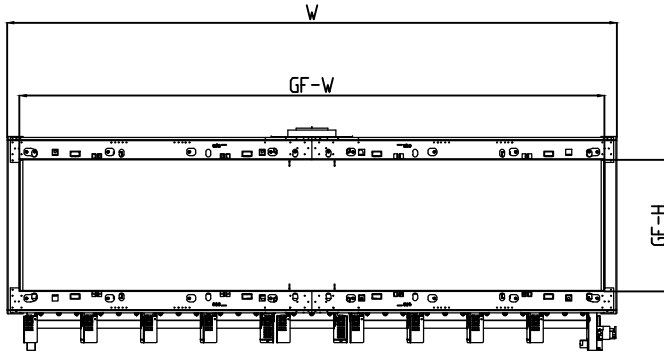
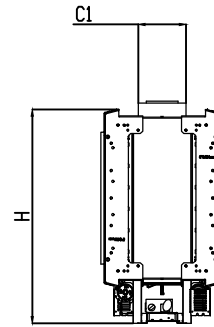


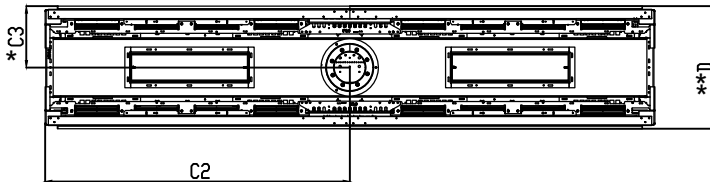
250H Tunnel Double Glass/Protective Screen - Flush



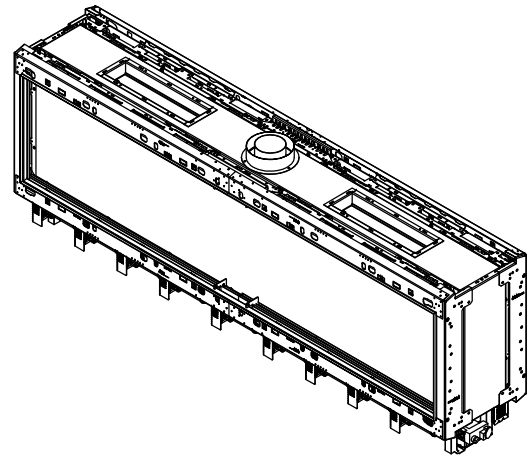
Front View



Side View



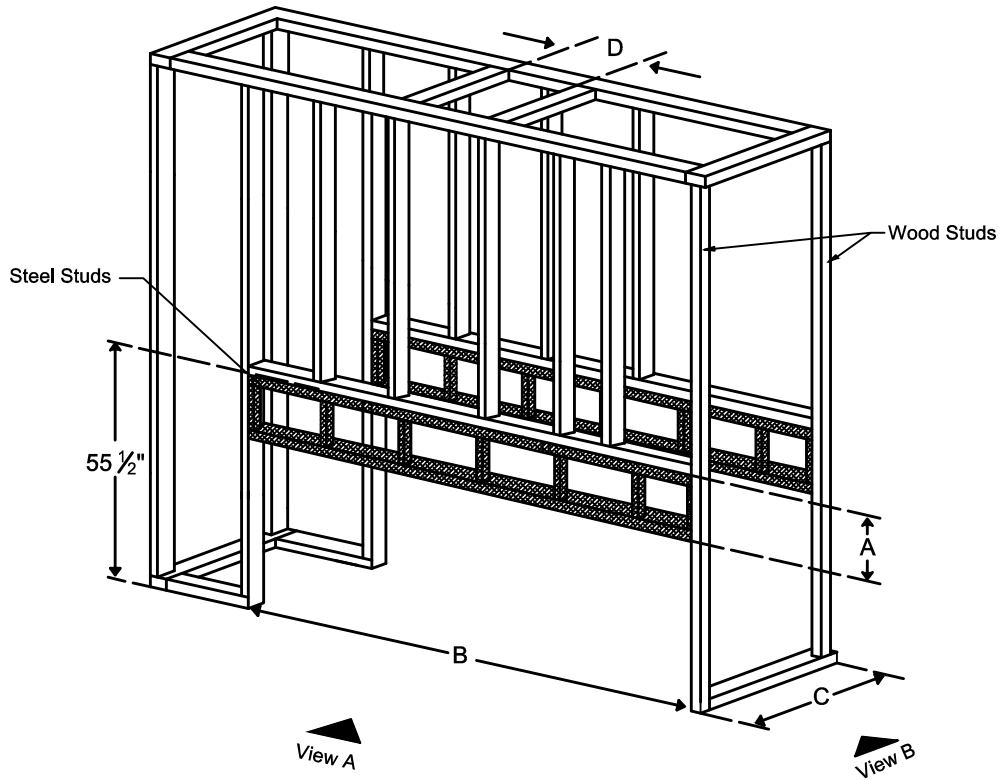
Top View



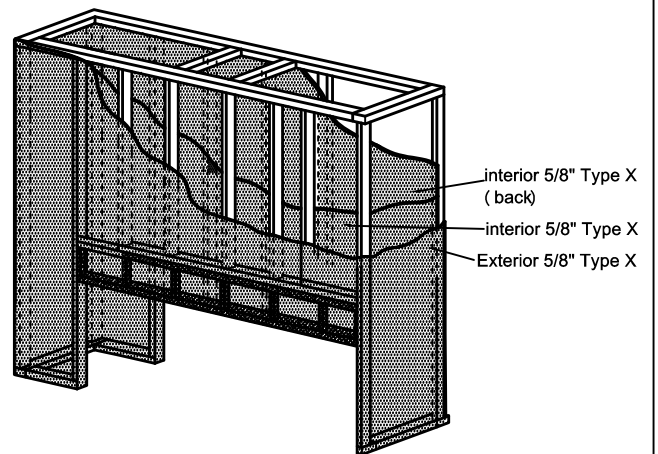
Model	(H) Height	(W) Width	(D) Depth	C1	C2	C3	Glass Opening	
							(GF) Front	(GS) Side
250H	35 ³ / ₁₆ "	100 ¹ / ₄ "	20 ³ / ₁₆ "	7 ⁷ / ₈ "	50 ¹ / ₈ "	10"	96 ¹ / ₄ " W X 21 ⁵ / ₈ " H	—

- * Dimensions includes $\frac{1}{2}$ " lip (for drywall)
- ** Dimensions includes 2 X $\frac{1}{2}$ " lip (for drywall)
- Note : 1. Drawings are not to Scale
- 2. All dimensions in inches
- 3. The dimensions are both for Double Glass and Protective Screen

250H Tunnel Double Glass/Protective Screen - Flush



Model	A	B	C	D
250H	19 ⁷ / ₁₆ "	105 ¹ / ₂ "	19 ³ / ₁₆ "	10"

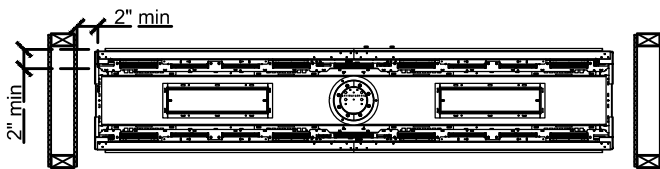
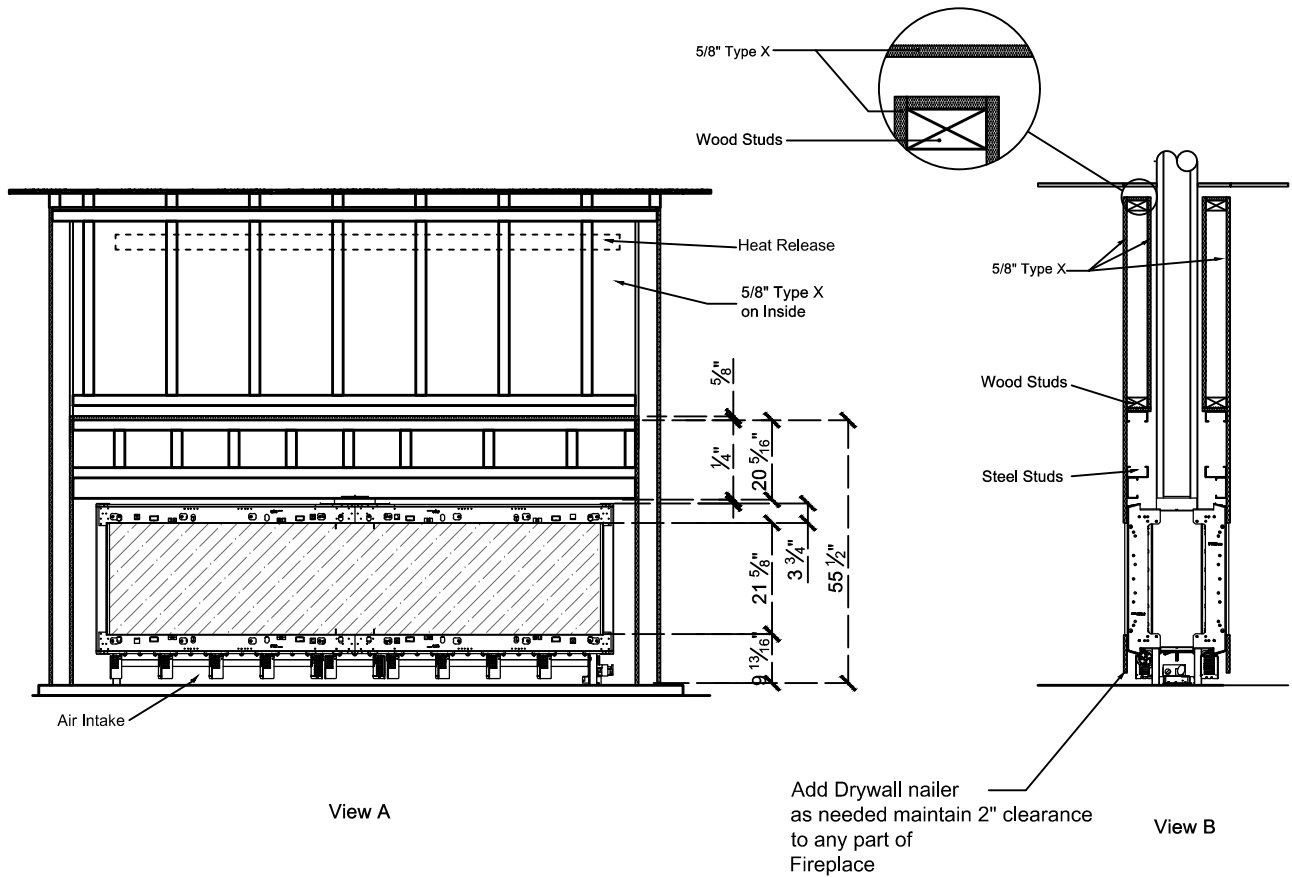


Note : 1. Drawings are not to Scale
2. All dimensions in inches
3. The dimensions are both for Double Glass and Protective Screen

LEGEND

 5/8" Type X	 Steel	 Wood
 Glass	 Wood Studs	 Steel Studs

250H Tunnel Double Glass/Protective Screen - Flush



Top View

Clearance 2" from each side to non combustible material

The valve can be moved 36" - 40" from the center of the fireplace in any direction

- Note :
1. Drawings are not to Scale
 2. All dimensions in inches
 3. The dimensions are both for Double Glass and Protective Screen