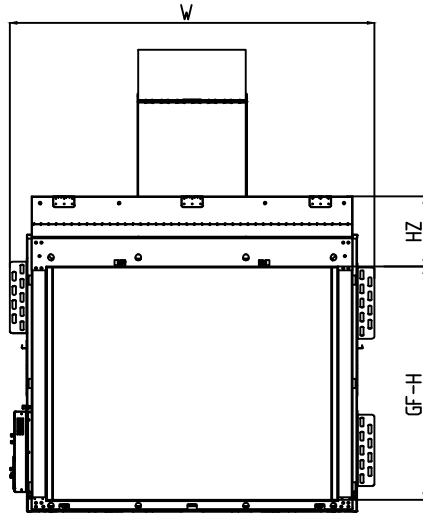
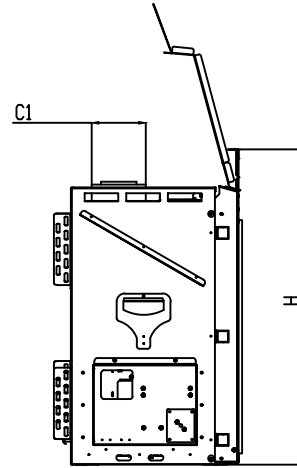




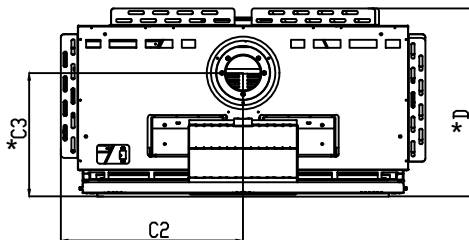
Traditional 110 Framing Information



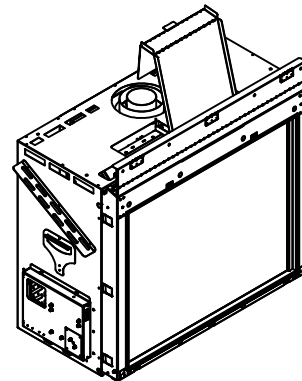
Front View



Side View



Top View



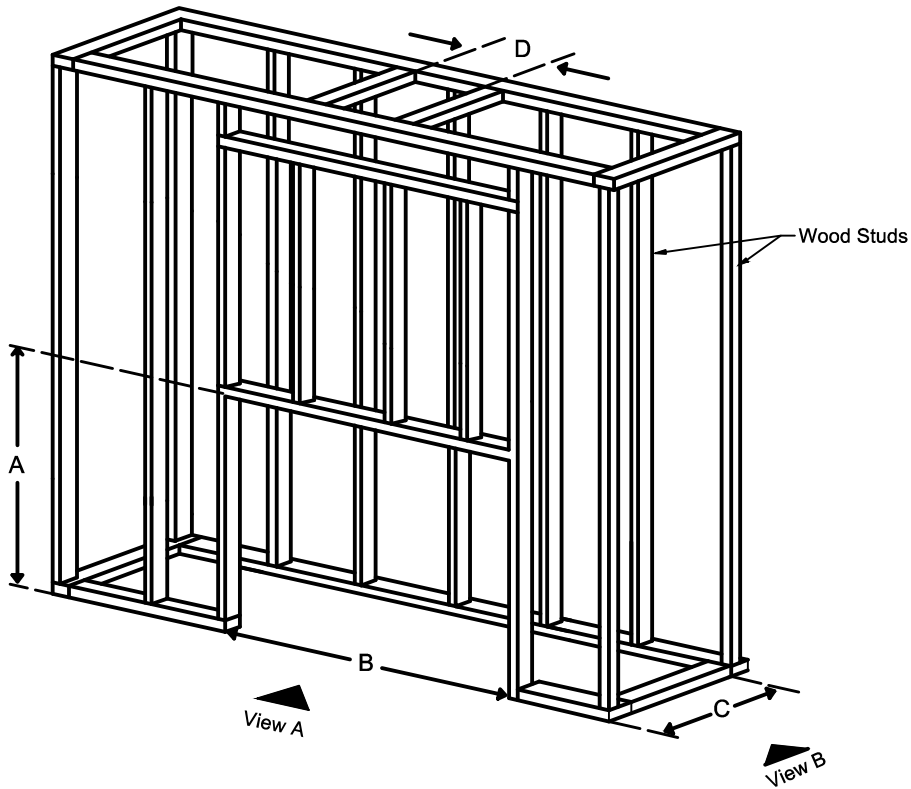
Model	(H) Height	(W) Width	(D) Depth	HZ	C1	C2	C3	Glass Opening	
								(GF) Front	(GS) Side
TR 110	46 1/8"	53 5/16"	27 1/16"	10 3/8"	7 7/8"	26 5/8"	18 1/16"	42 1/16" W X 34 1/8" H	—

* Dimensions include 1/2" lip (for drywall)

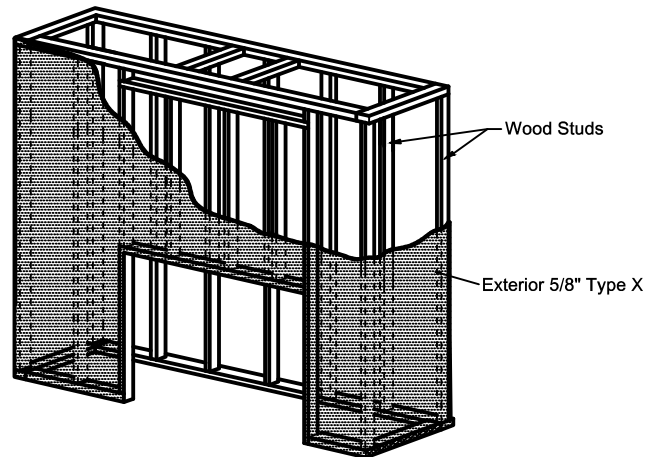
- Note : 1. Drawings are not to Scale
 2. All dimensions are in inches



Traditional 110 Framing Information



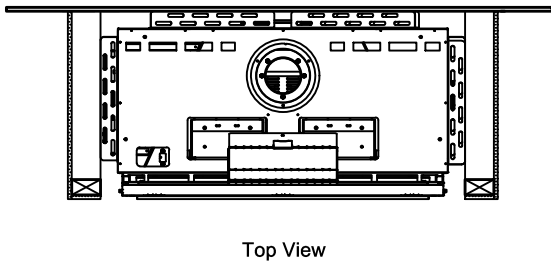
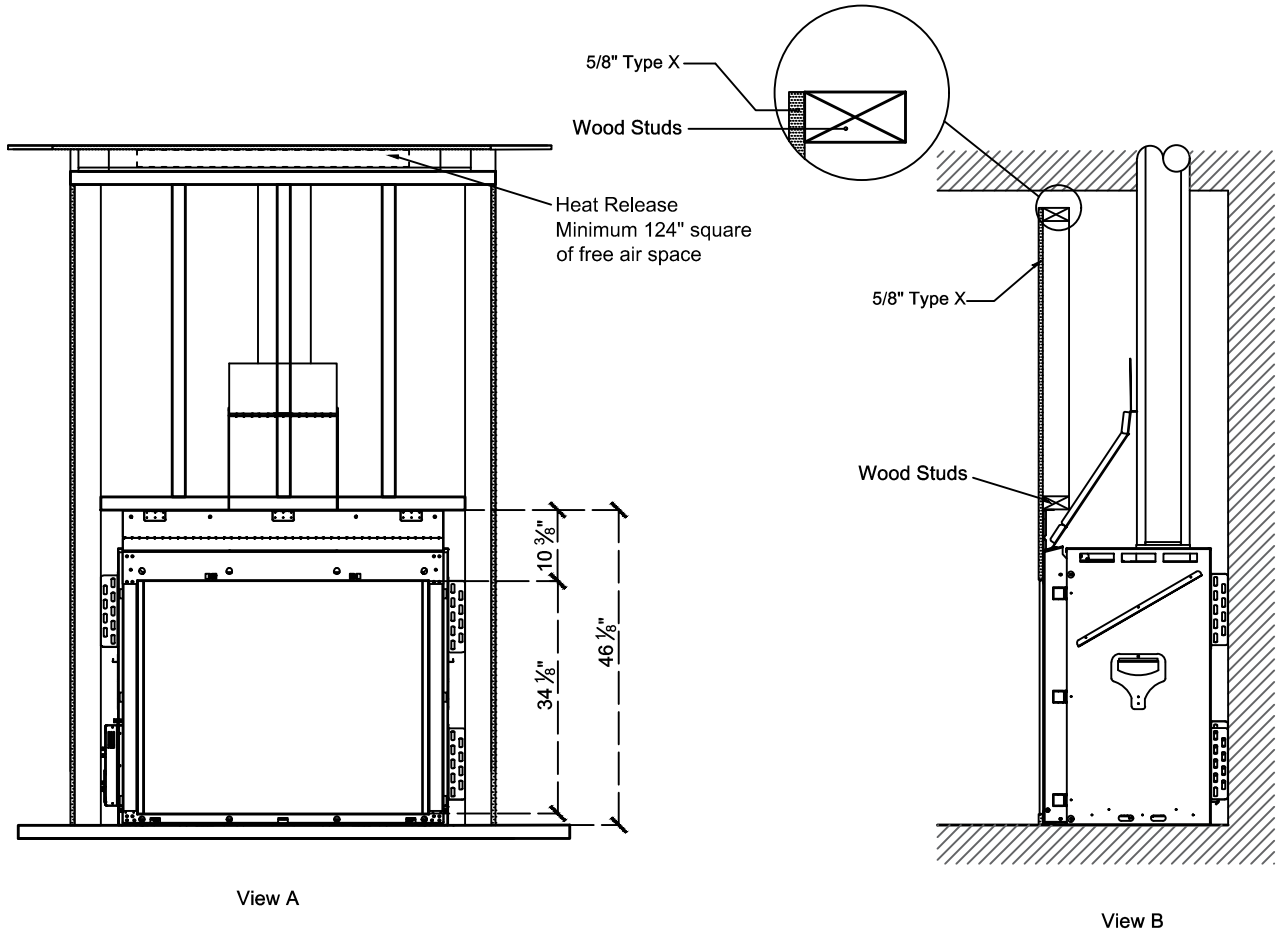
Model	A	B	C	D
TR 110	46 1/8"	53 5/16"	27 1/16"	Refer to pipe manufacturer's firestop dimensions



Note : 1. Drawings are not to Scale
 2. All dimensions are in inches



Traditional 110 Framing Information



Note : 1. Drawings are not to Scale
2. All dimensions are in inches