

FRONT FACING LINE



STUNNING AND SMART

Beautifully integrated into walls and architectural elements, Ortal front-facing fireplaces transform traditional into extraordinary.

Choose from over 17 stunning models from 16" long to the extent of your imagination.

DESIGN WITHOUT LIMITATIONS

Freedom to Design

Advanced features make Ortal fireplaces as versatile as your lifestyle or design concepts.

Reinvent Fire

Ortal combines classic beauty with innovative technology, transforming every fireplace into a modern masterpiece.

Clear 200 - 77"
California



ADVANTAGES



Cool Wall Technology

Enhances your design possibilities, ensuring that walls surrounding the fireplace remain cool. Enjoy the flexibility of hanging a television or work of art directly above your fireplace with no need for recessed elements.



Power Vent System

Allows you to install fireplaces independent of venting pathways – that means you have placement and design freedom.



Heat Barrier Solutions

Ortal's Double Glass and Screen solutions ensure that our fireplaces' outer glass layer is always safe to the touch – compliant with the latest US regulations. All without impacting design.



Creative Interiors

Create a new experience with every fireplace, with over 80 customizable models, dozens of fire media options and any facing materials.



Efficiency

Recreate efficiency. Ortal is recognized globally as an innovator of modern gas fireplaces. Ortal's unique burner design ensures the cleanest possible use of gas, combining optimal warmth and heating savings.



Clear 170 - 67"
California

REACHING NEW HEIGHTS

In the H design, Ortal accentuates and extends the height of the fireplace. The H design creates a pleasing symmetrical view when hanging a television or work of art directly above the fireplace.



Clear 110H - 43"
California

CHOOSE THE PERFECT SIZE FOR YOUR LOCATION:



Clear 40H70



Clear 60X80



Clear 75X65



Clear 110H



Clear 130H



Clear 75



Clear 110



Clear 130



Clear 150H



Clear 170H



Clear 150



Clear 170



Clear 200



Clear 200H



Clear 250H

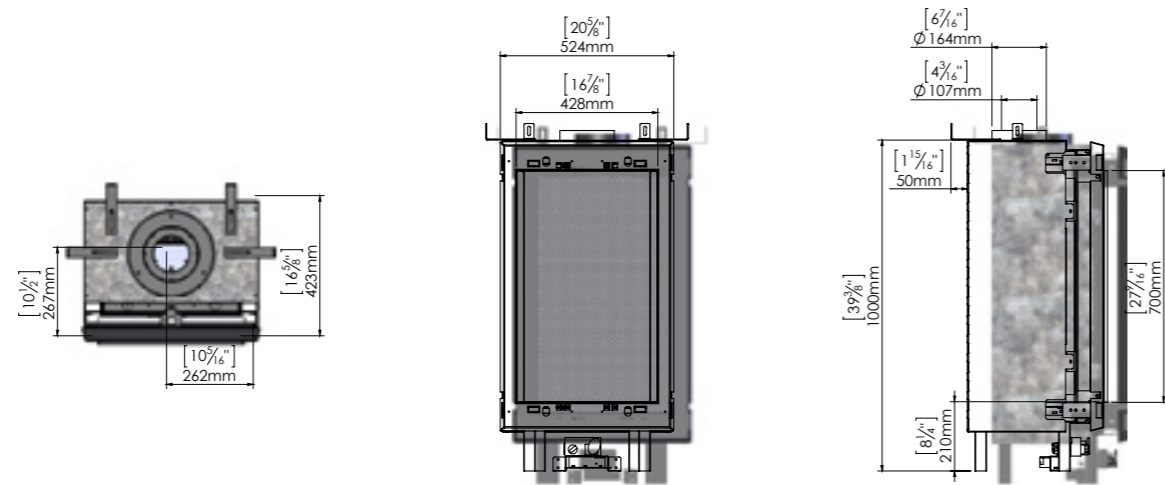


Clear 250

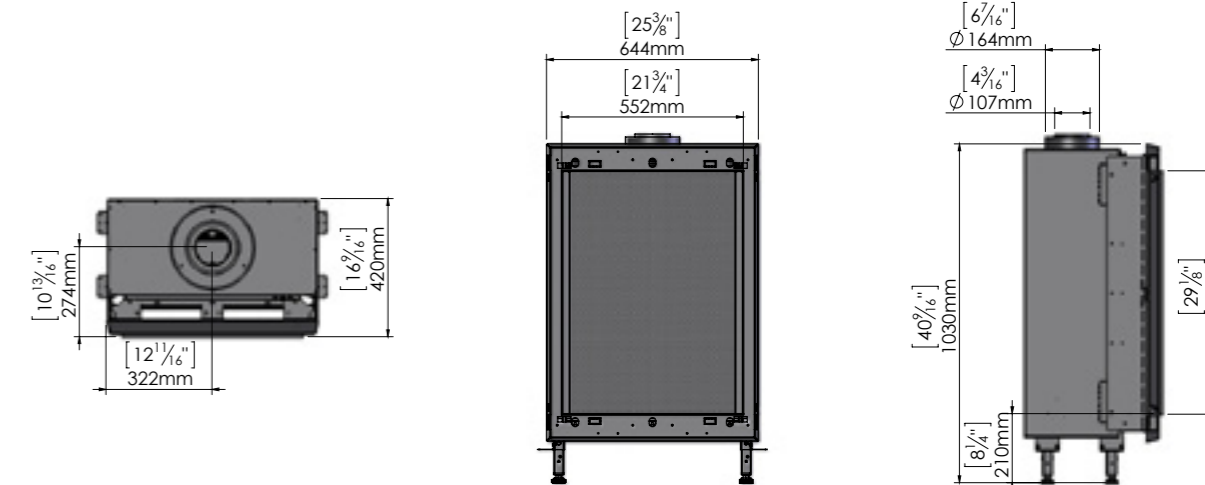
 All H models are supplied with internal lighting

MODEL	GLASS VIEWING AREA	MAX BTU (NG)	MAX BTU (LP)	EFFICIENCY	VENT
CLEAR 40H70	16 7/8" wide x 27 9/16" high	23,700	21,000	NG - 79.5% LP - 73.9%	4x6 Co-axial direct vent pipe (6 inch diameter pipe) Optional Ortal 3SCVS Power Vent System (Inline and Flush)
CLEAR 60X80	22" wide x 29" high	29,100	22,100	NG 77.8% LP 73.9%	4x6 Co-axial direct vent pipe (6 inch diameter pipe) Optional Ortal 3SCVS Power Vent System (Inline and Flush)

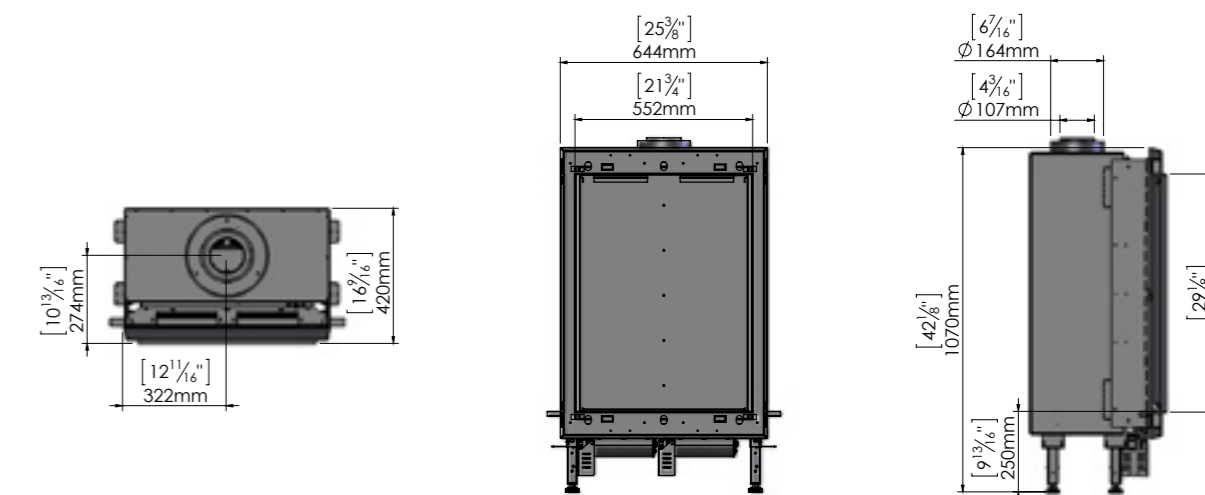
Clear 40H70 with Screen Barrier



Clear 60X80 with Screen Barrier

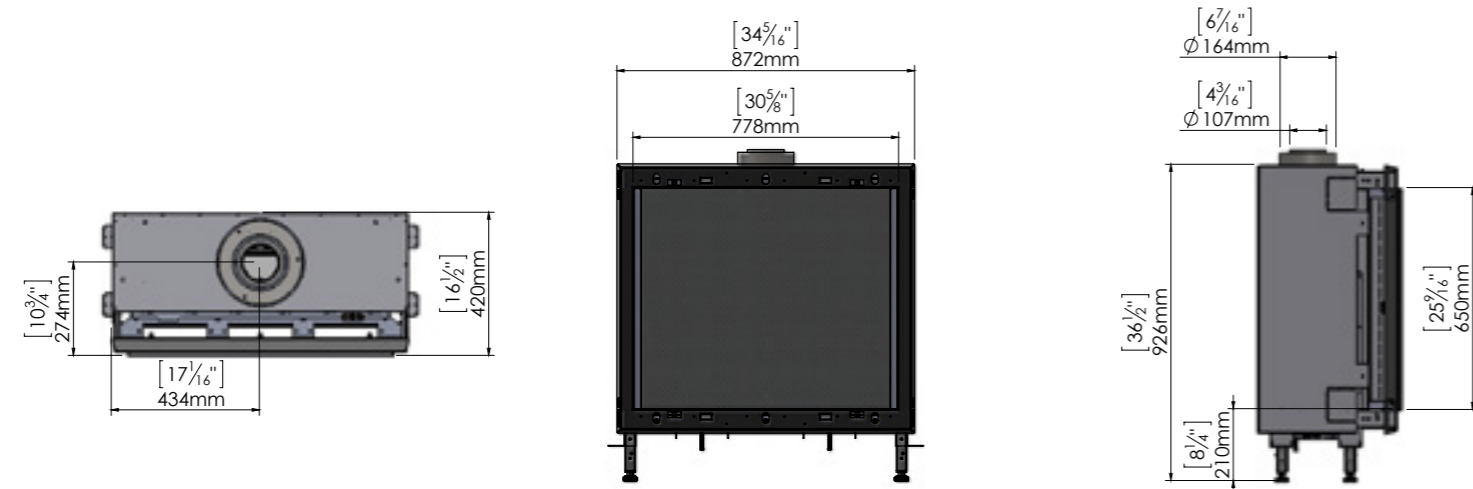


Clear 60X80 with Double Glass

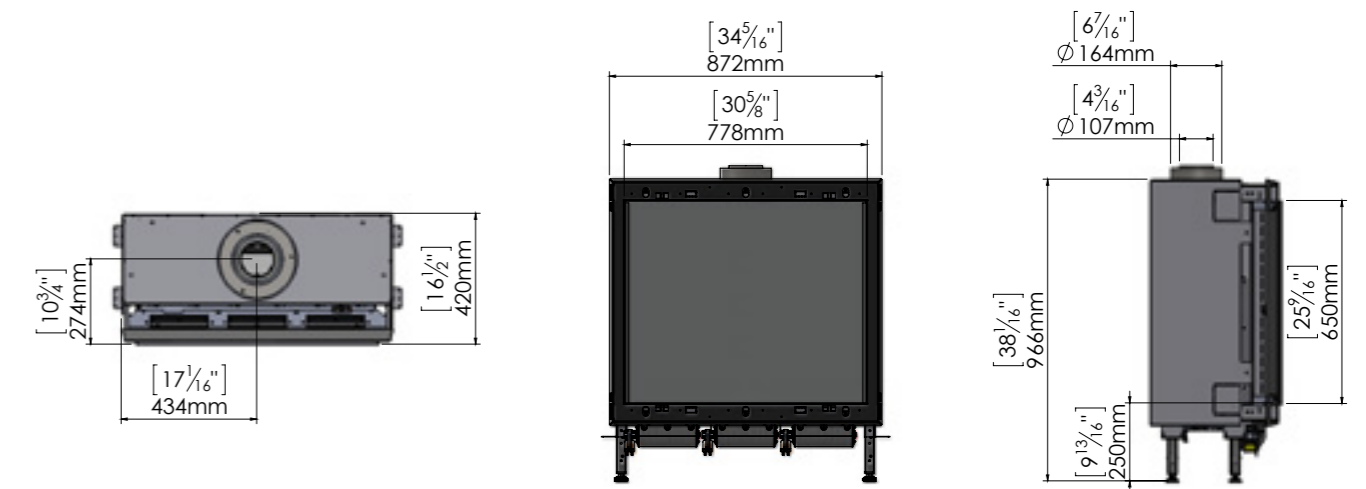


MODEL	GLASS VIEWING AREA	MAX BTU (NG)	MAX BTU (LP)	EFFICIENCY	VENT
CLEAR 75X65	30 5/8" wide x 25 9/16" high	29,100	22,100	NG 77.8% LP 73.9%	4x6 Co-axial direct vent pipe (6 inch diameter pipe) Optional Ortal 35CVS Power Vent System (Inline and Flush)
CLEAR 75	29 7/16" wide x 17 5/16" high	29,100	22,100	NG 77.8% LP 73.9%	4x6 Co-axial direct vent pipe (6 inch diameter pipe) Optional Ortal 35CVS Power Vent System (Inline and Flush)

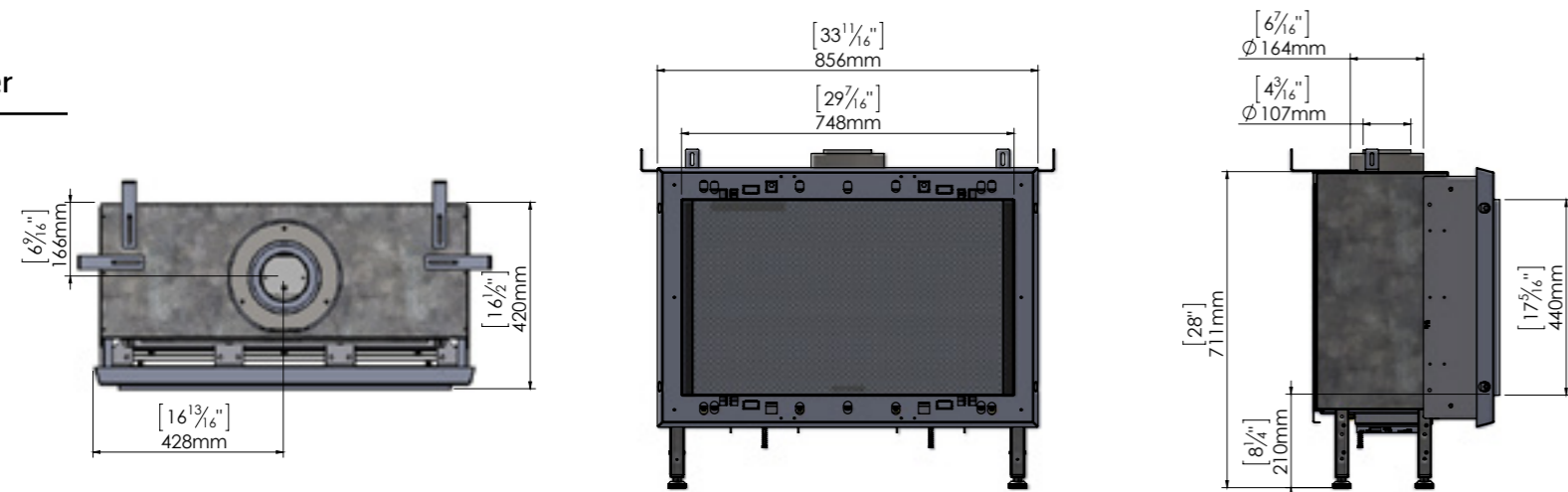
Clear 75X65 with Screen Barrier



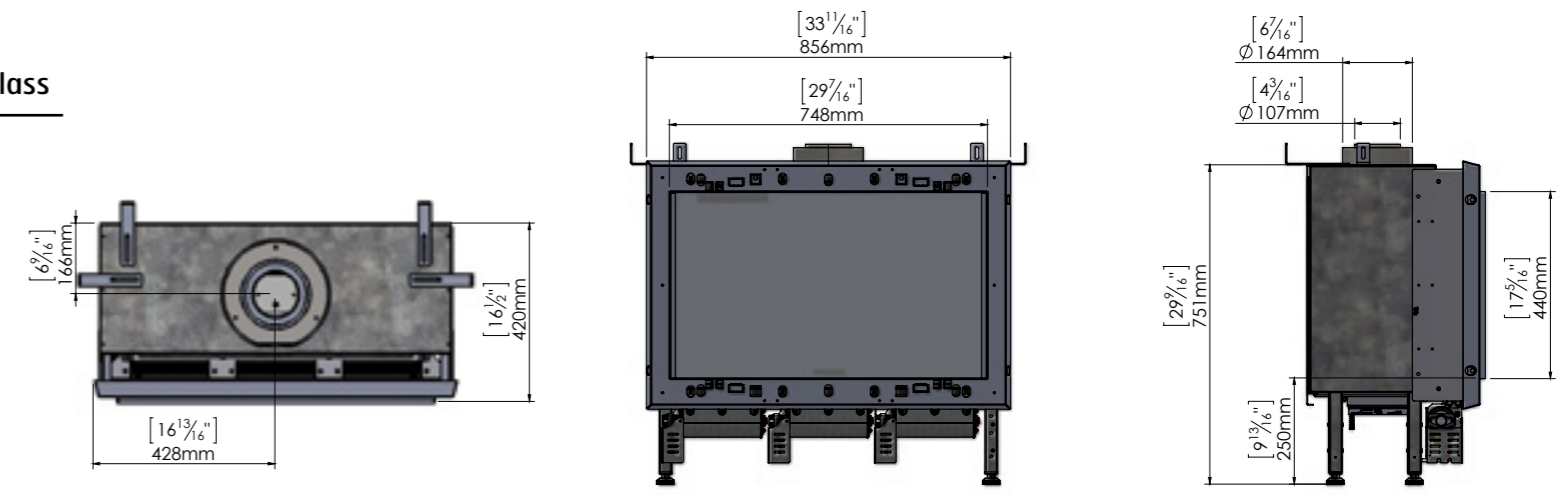
Clear 75X65 with Double Glass



Clear 75 with Screen Barrier

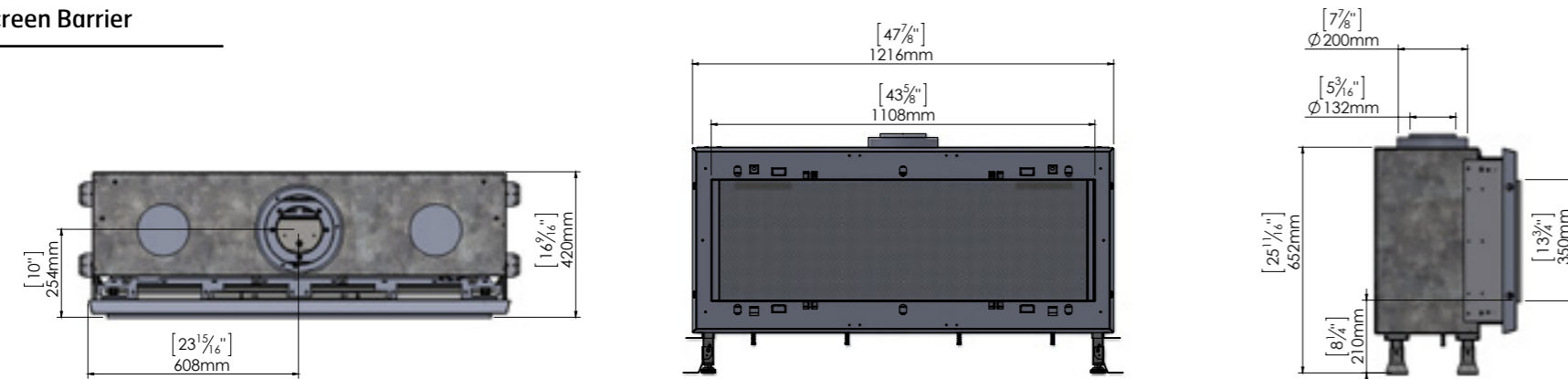


Clear 75 Front with Double Glass

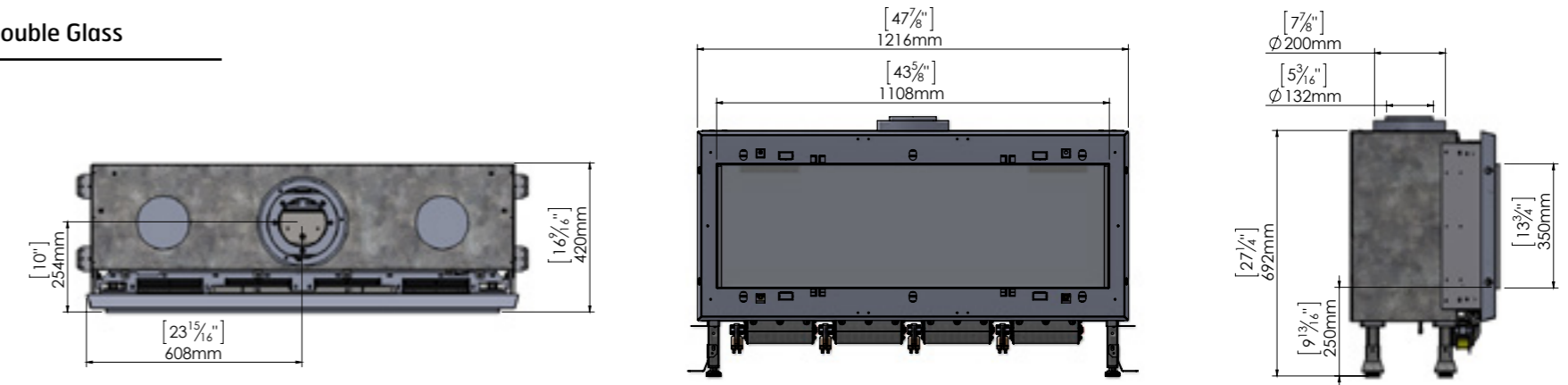


MODEL	GLASS VIEWING AREA	MAX BTU (NG)	MAX BTU (LP)	EFFICIENCY	VENT
CLEAR 110	43 5/8" wide x 13 3/4" high	37,100	28,500	NG 77.8% LP 81.4%	5x8 Co-axial direct vent pipe (8 inch diameter pipe) Optional Ortal 35CVS Power Vent System (Inline and Flush)
CLEAR 110H	43 5/8" wide x 21 5/8" high	37,100	28,500	NG 77.8% LP 81.4%	5x8 Co-axial direct vent pipe (8 inch diameter pipe) Optional Ortal 35CVS Power Vent System (Inline and Flush)

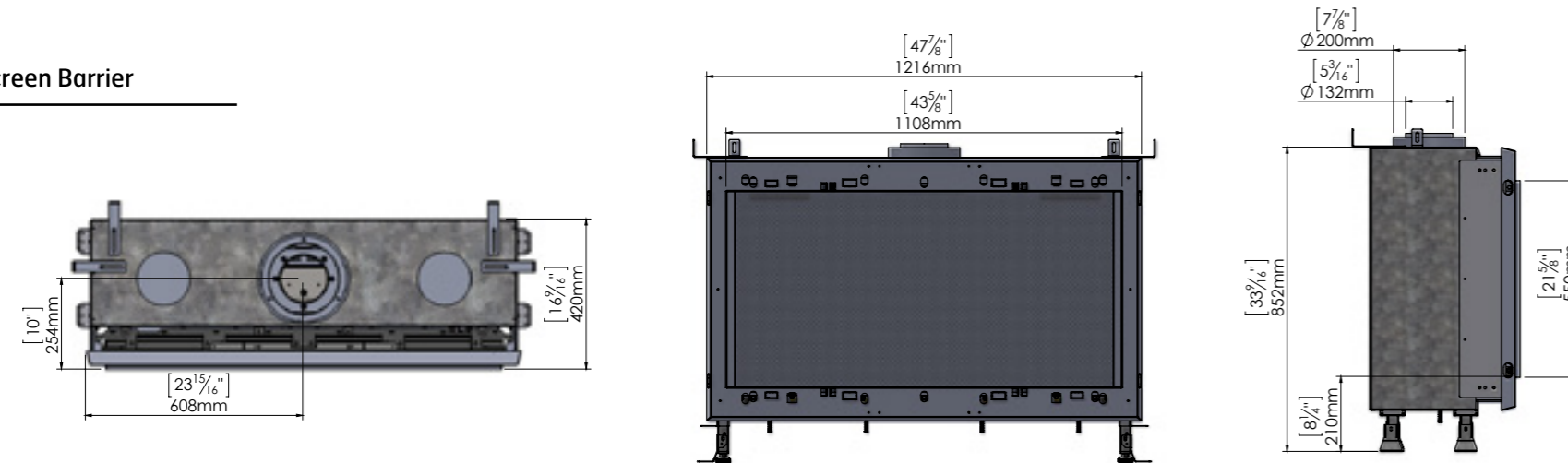
Clear 110 with Screen Barrier



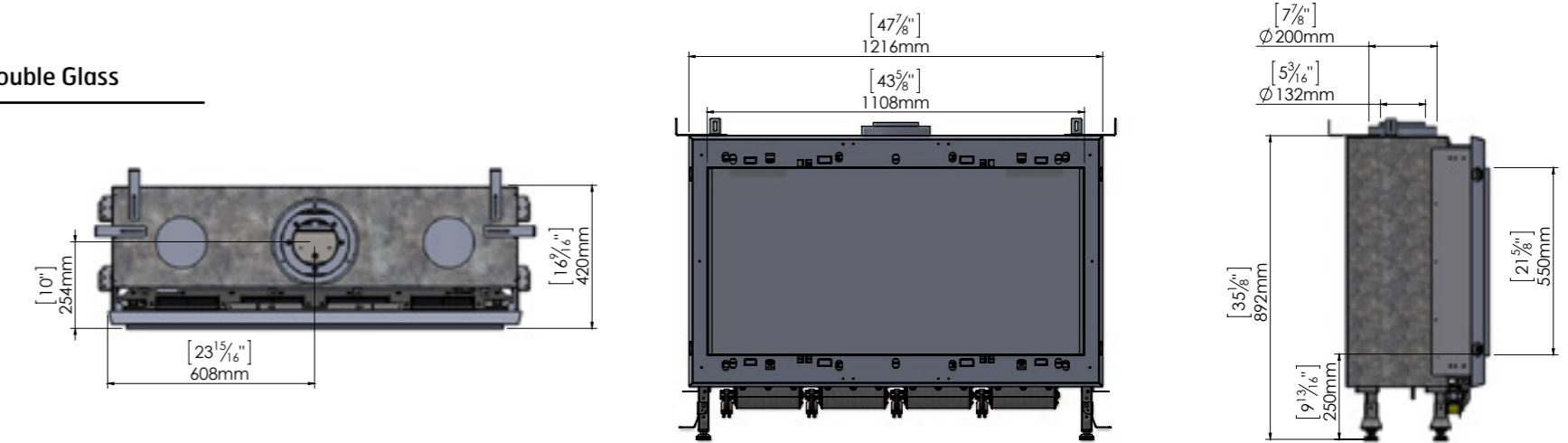
Clear 110 with Double Glass



Clear 110H with Screen Barrier

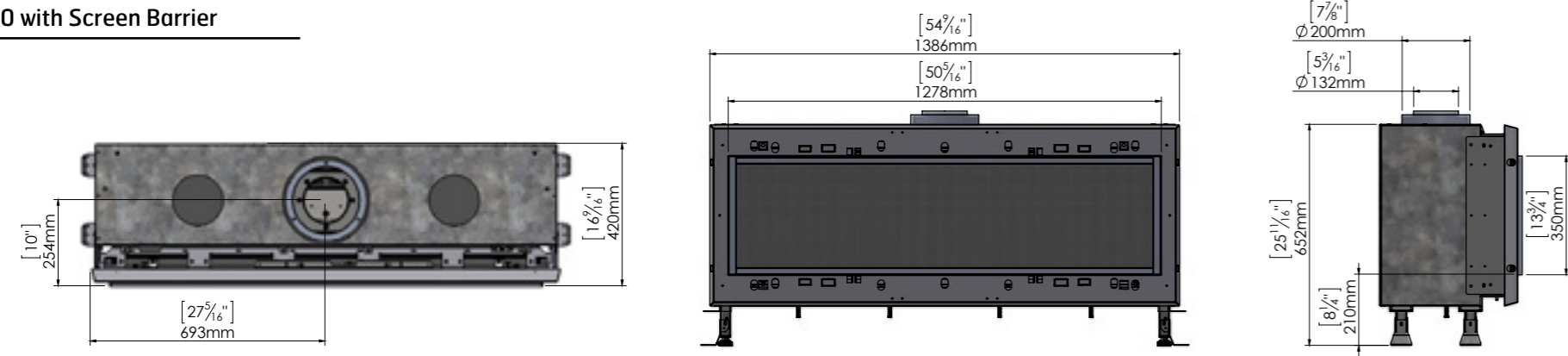


Clear 110H with Double Glass

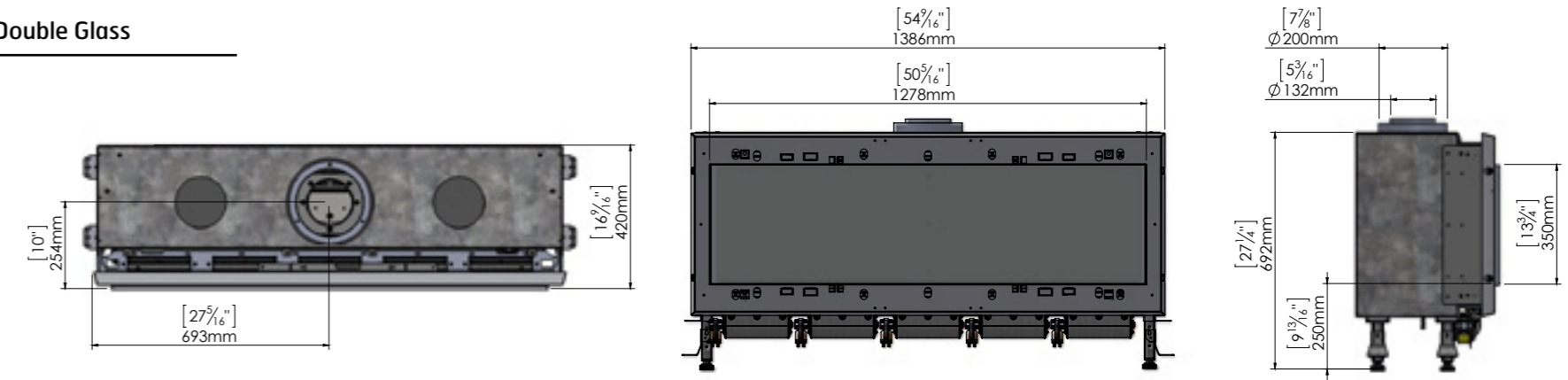


MODEL	GLASS VIEWING AREA	MAX BTU (NG)	MAX BTU (LP)	EFFICIENCY	VENT
CLEAR 130	50 5/16" wide x 13 3/4" high	37,100	28,500	NG 77.8% LP 81.4%	5x8 Co-axial direct vent pipe (8 inch diameter pipe) Optional Ortal 35CVS Power Vent System (Inline and Flush)
CLEAR 130H	50 5/16" wide x 21 5/8" high	37,100	28,500	NG 77.8% LP 81.4%	5x8 Co-axial direct vent pipe (8 inch diameter pipe) Optional Ortal 35CVS Power Vent System (Inline and Flush)

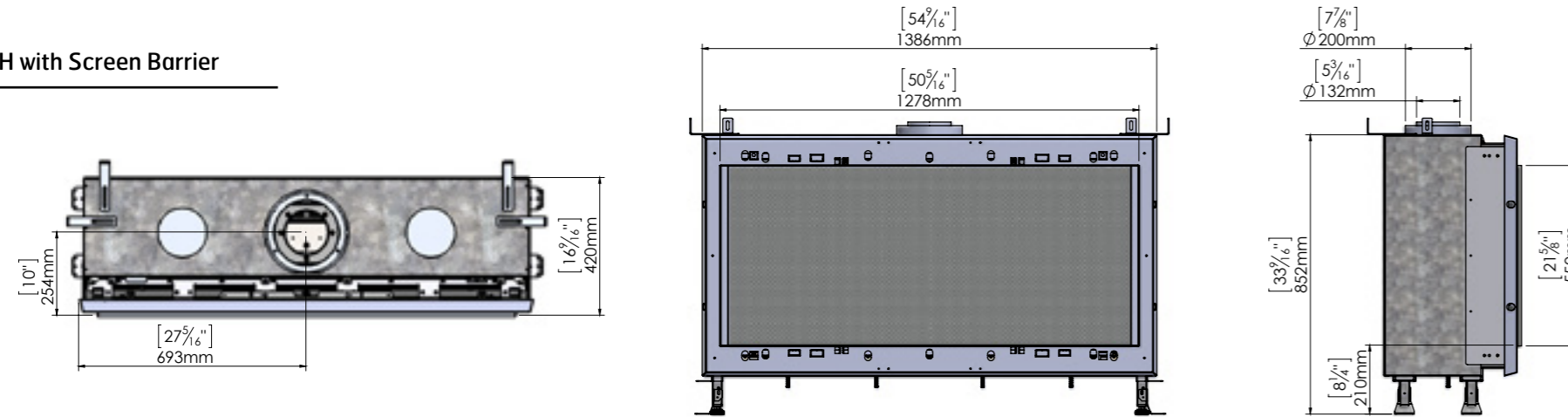
Clear 130 with Screen Barrier



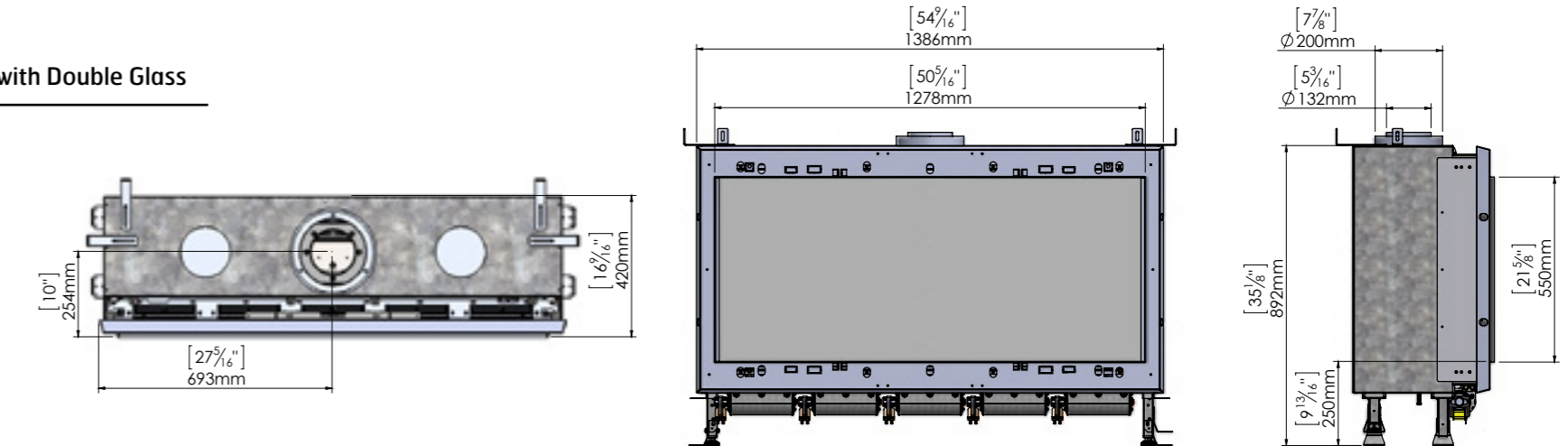
Clear 130 with Double Glass



Clear 130H with Screen Barrier

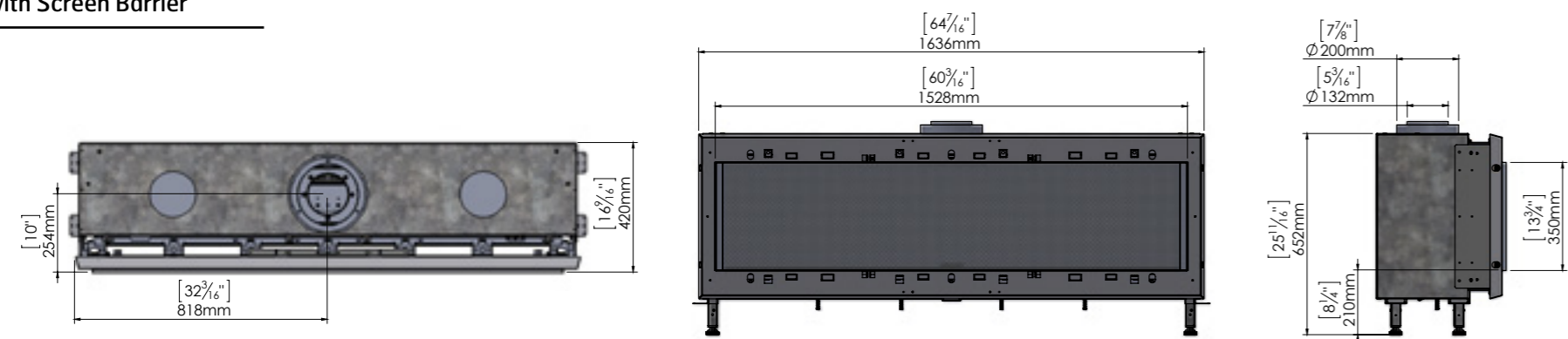


Clear 130H Front with Double Glass

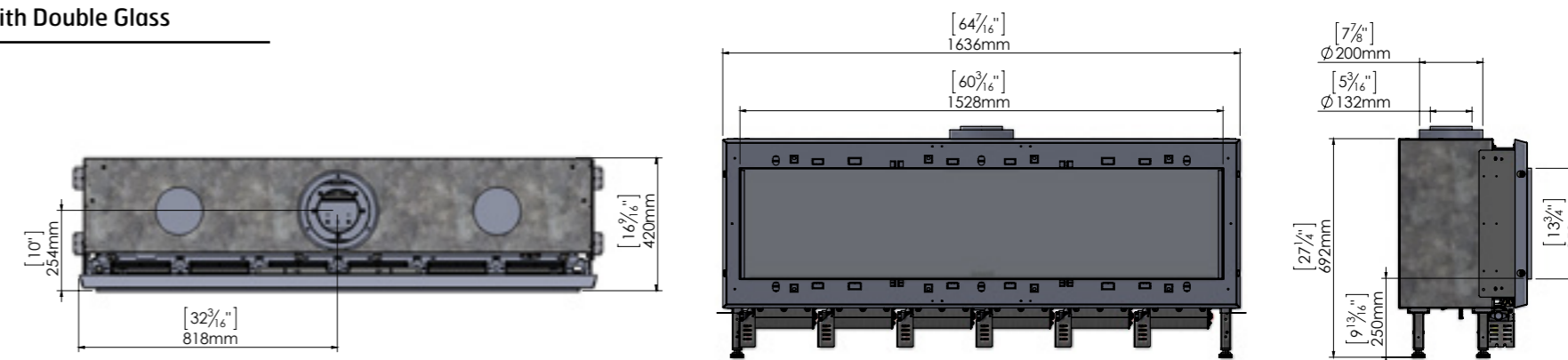


MODEL	GLASS VIEWING AREA	MAX BTU (NG)	MAX BTU (LP)	EFFICIENCY	VENT
CLEAR 150	60 3/16" wide x 13 3/4" high	43,700	36,900	NG 77.8% LP 80.6%	5x8 Co-axial direct vent pipe (8 inch diameter pipe) Optional Ortal 3SCVS Power Vent System (Inline and Flush)
CLEAR 150H	60 3/16" wide x 21 5/8" high	43,700	36,900	NG 77.8% LP 80.6%	5x8 Co-axial direct vent pipe (8 inch diameter pipe) Optional Ortal 3SCVS Power Vent System (Inline and Flush)

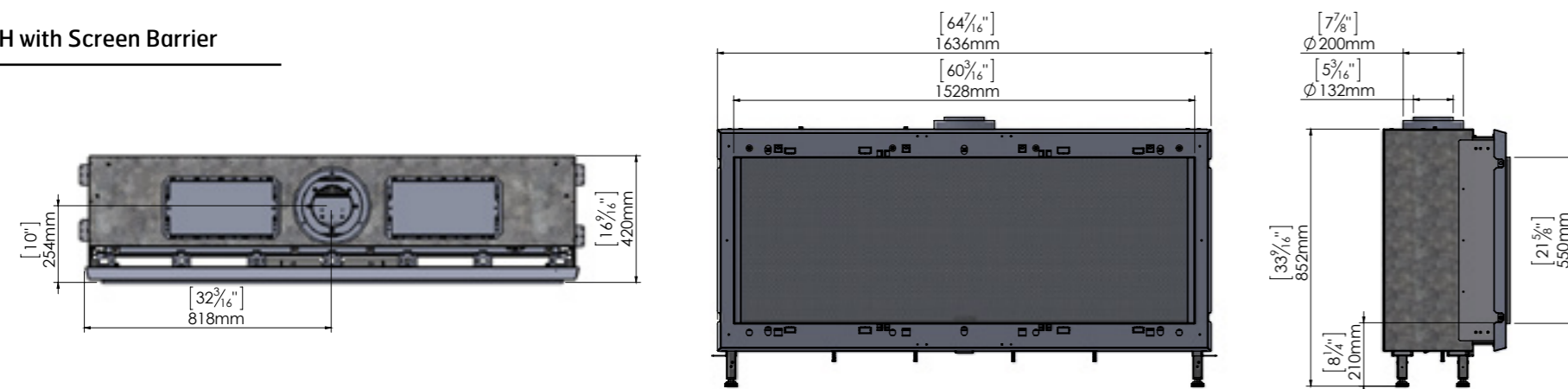
Clear 150 with Screen Barrier



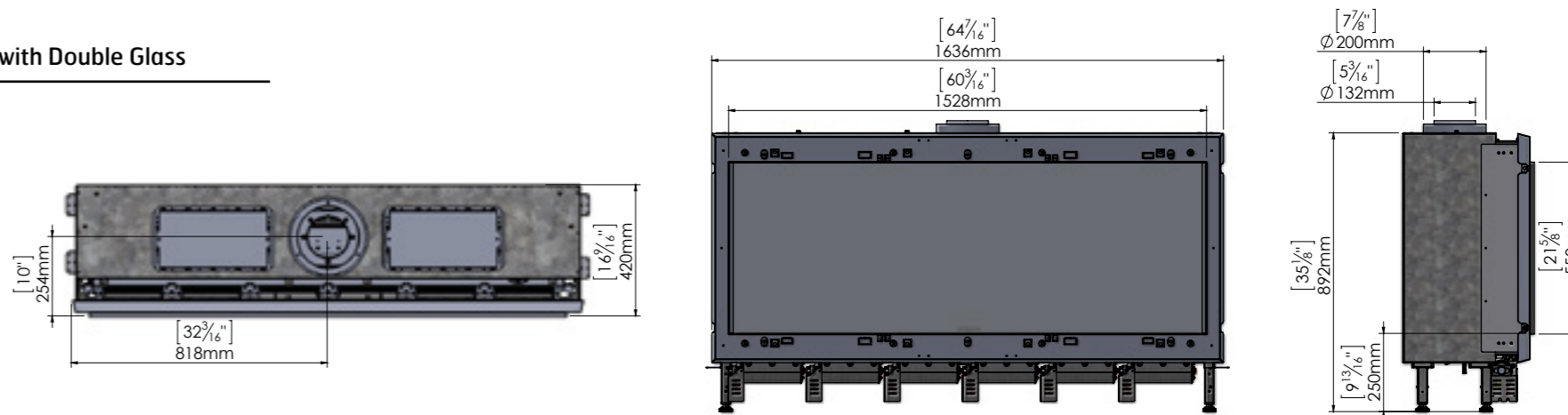
Clear 150 with Double Glass



Clear 150H with Screen Barrier

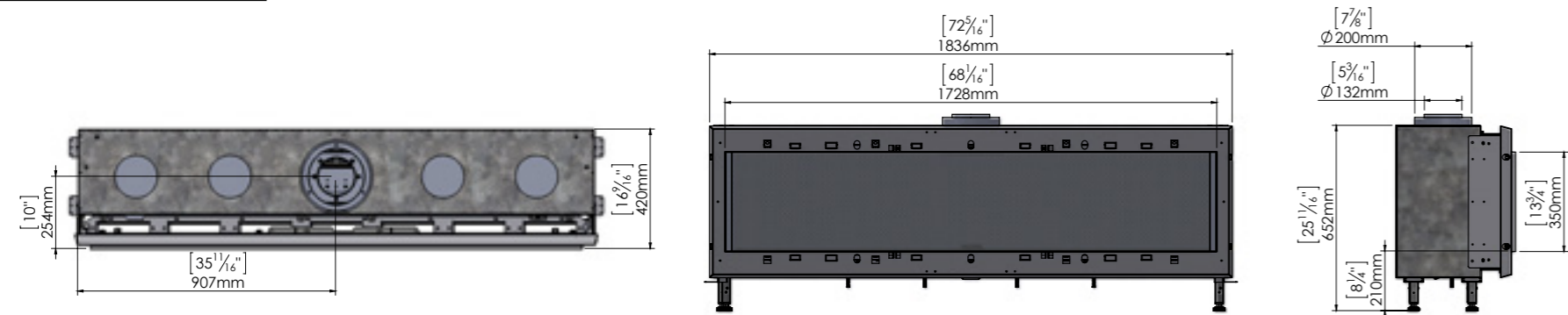


Clear 150H with Double Glass

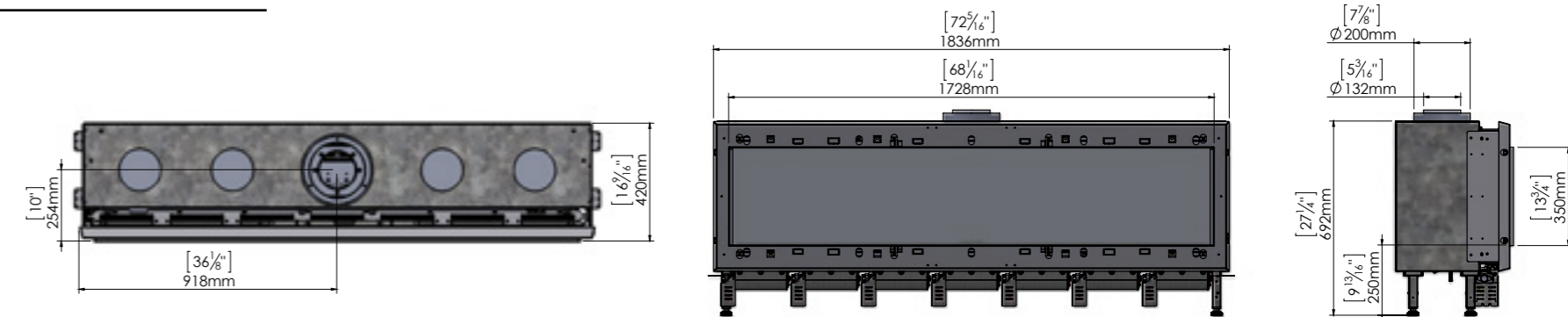


MODEL	GLASS VIEWING AREA	MAX BTU (NG)	MAX BTU (LP)	EFFICIENCY	VENT
CLEAR 170	68 1/16" wide x 13 3/4" high	43,700	36,900	NG 77.8% LP 80.6%	5x8 Co-axial direct vent pipe (8 inch diameter pipe) Optional Ortal 35CVS Power Vent System (Inline and Flush)
CLEAR 170H	68" wide x 21 5/8" high	43,700	36,900	NG 77.8% LP 80.6%	5x8 Co-axial direct vent pipe (8 inch diameter pipe) Optional Ortal 35CVS Power Vent System (Inline and Flush)

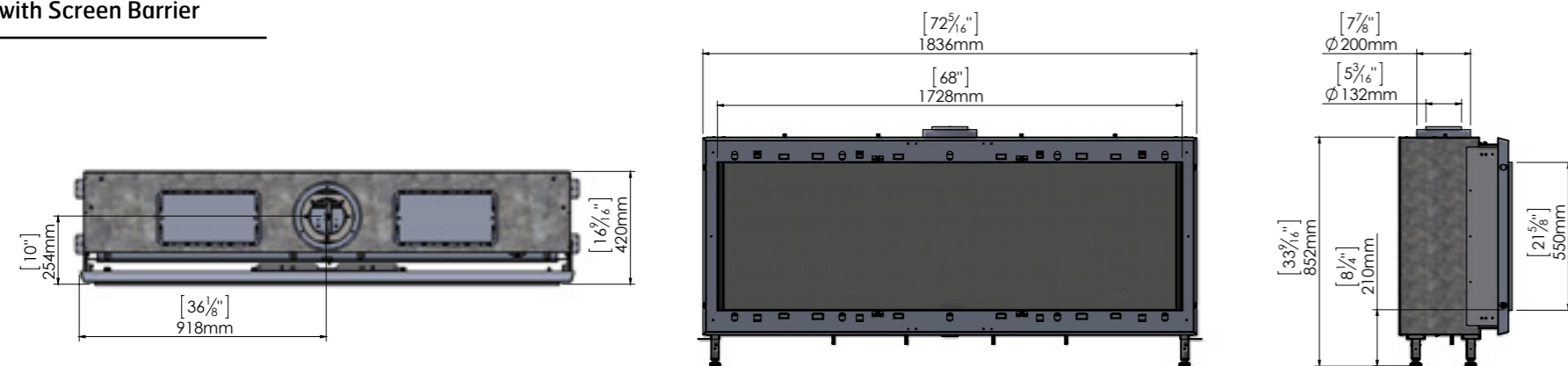
Clear 170 with Screen Barrier



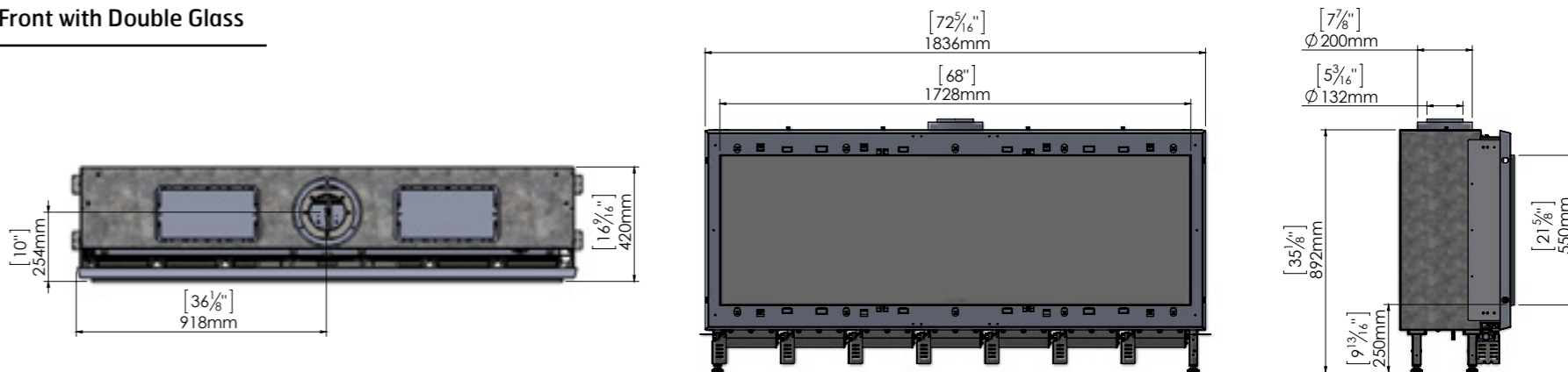
Clear 170 with Double Glass



Clear 170H with Screen Barrier

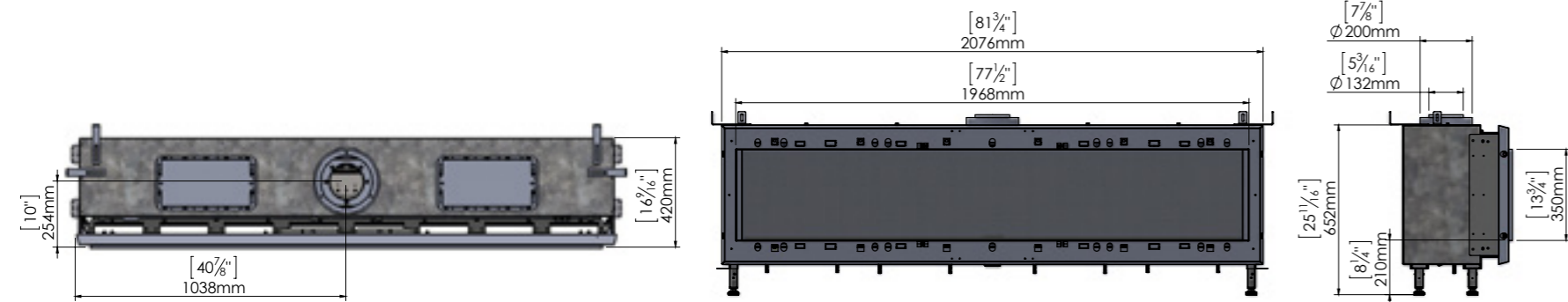


Clear 170H Front with Double Glass

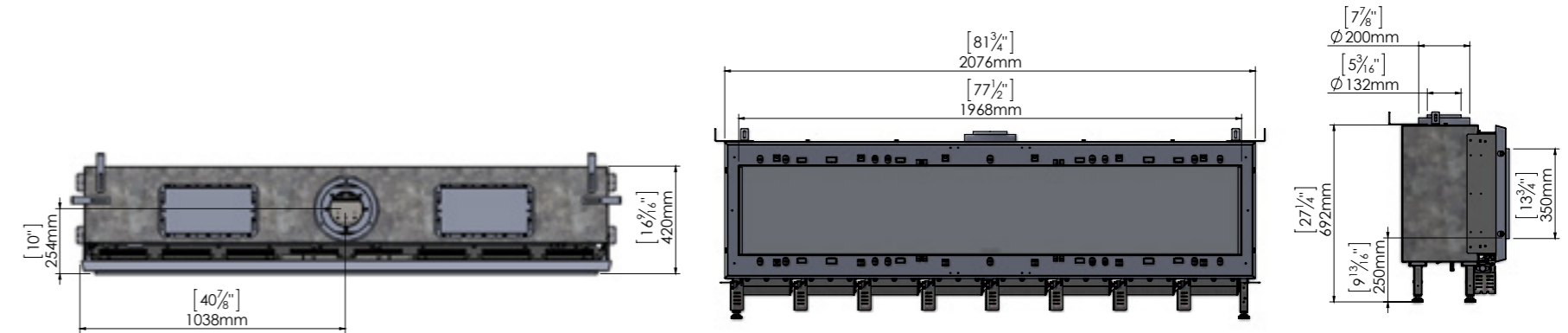


MODEL	GLASS VIEWING AREA	MAX BTU (NG)	MAX BTU (LP)	EFFICIENCY	VENT
CLEAR 200	77 1/2" wide x 13 3/4"	51,300	36,700	NG 73.4% LP 79.3%	5x8 Co-axial direct vent pipe (8 inch diameter pipe) Optional Ortal 3SCVS Power Vent System (Inline and Flush)
CLEAR 200H	77 1/2" wide x 21 5/8" high	51,300	36,700	NG 73.4% LP 79.3%	5x8 Co-axial direct vent pipe (8 inch diameter pipe) Optional Ortal 3SCVS Power Vent System (Inline and Flush)

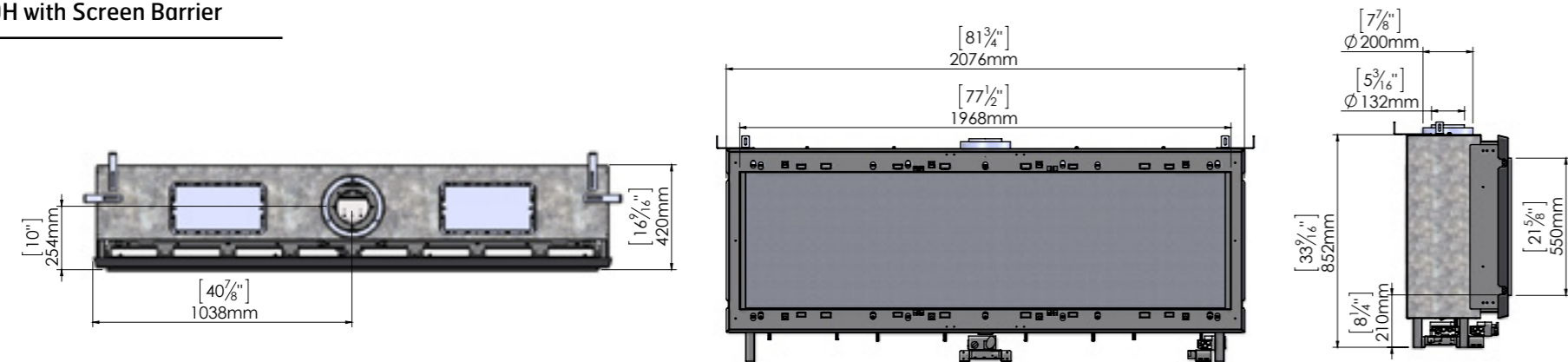
Clear 200 with Screen Barrier



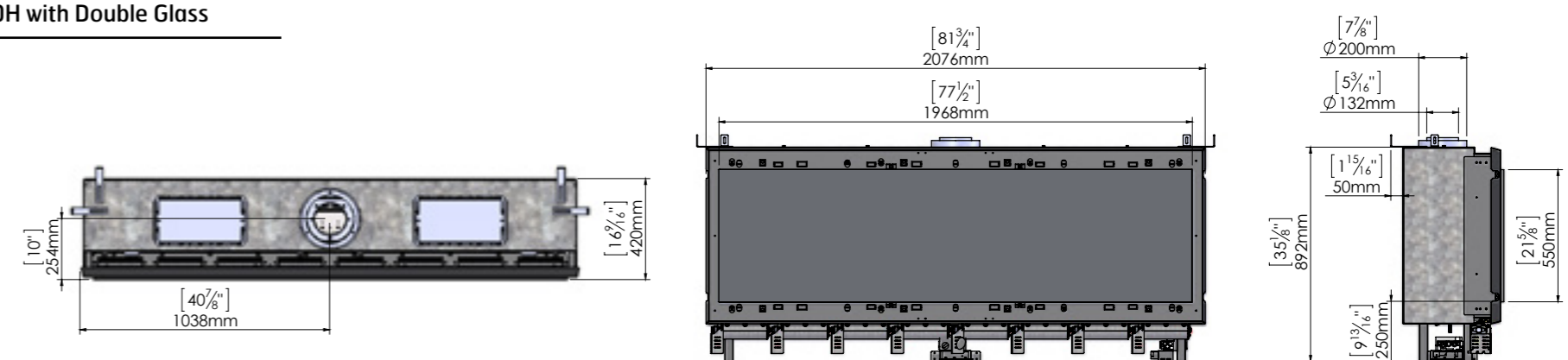
Clear 200 with Double Glass



Clear 200H with Screen Barrier

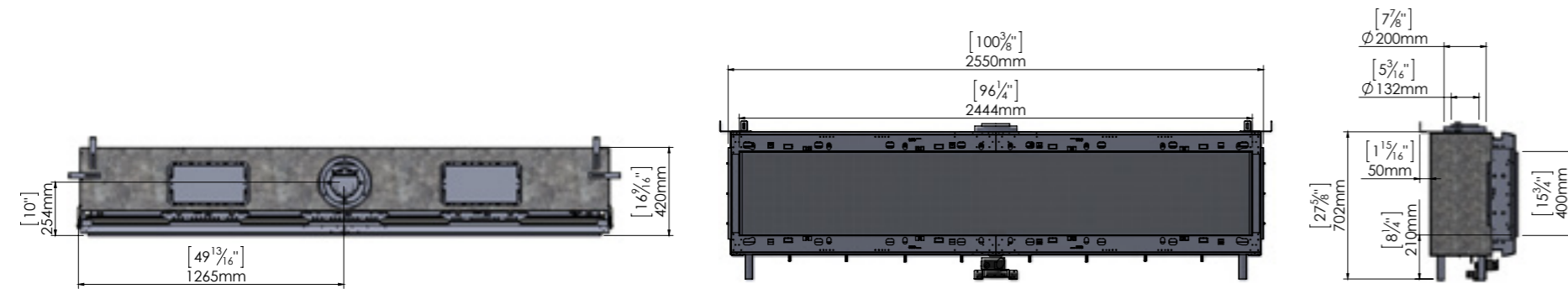


Clear 200H with Double Glass

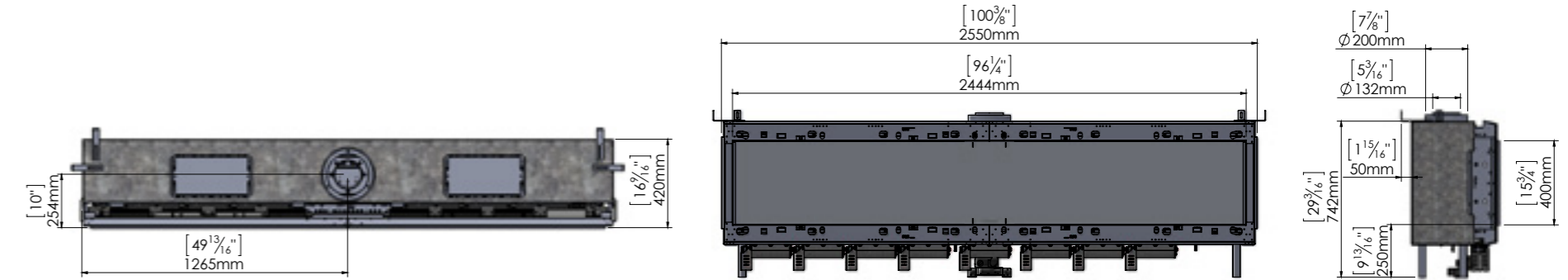


MODEL	GLASS VIEWING AREA	MAX BTU (NG)	MAX BTU (LP)	EFFICIENCY	VENT
CLEAR 250	96 1/4" wide x 15 3/4"	51,300	36,700	NG 73.4% LP 79.3%	5x8 Co-axial direct vent pipe (8 inch diameter pipe) Optional Ortal 35CVS Power Vent System (Inline and Flush)
CLEAR 250H	96 1/4" wide x 21 5/8" high	51,300	36,700	NG 73.4% LP 79.3%	5x8 Co-axial direct vent pipe (8 inch diameter pipe) Optional Ortal 35CVS Power Vent System (Inline and Flush)

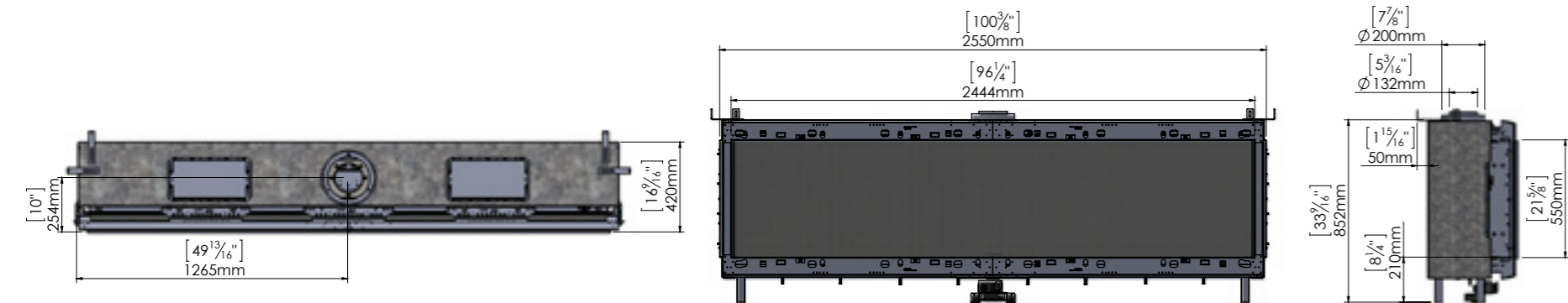
Clear 250 with Screen Barrier



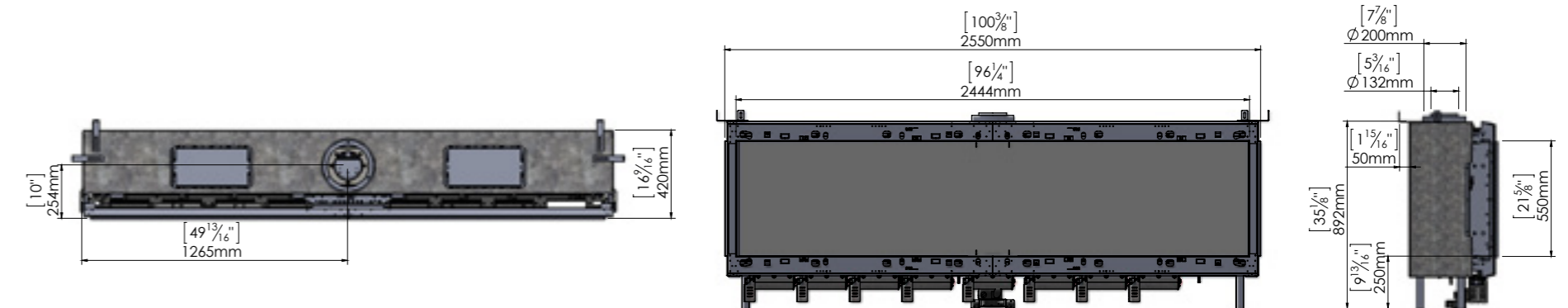
Clear 250 with Double Glass



Clear 250H with Screen Barrier



Clear 250H with Double Glass





INTERIOR FIREPLACE DESIGN

With Ortal fireplaces you have the freedom to use the Media of your choice in any model.

Media

Ortal offers a rich selection of fireplace media options: Log Sets, Branch Sets, Ceramic Stones and Glass in a variety of colors.



Fire Glass Clear (1kg/bag)
Cat. # MLCC



Fire Glass Orange (1kg/bag)
Cat. # MLCO



Fire Glass Black (1kg/bag)
Cat. # MLCB



Fire Glass Blue (1kg/bag)
Cat. # MLCL



White Pebbles (50pcs/Set)
Cat. # MLSTW



Grey Pebbles (50pcs/Set)
Cat. # MLSTG



Grey Stones (24pcs/Set)
Cat. # MLPBG



White Stones (24pcs/set)
Cat. # MLPBW



MLRCL
Driftwood Ceramic Fiber Logs with Beige Embers



MLLG
Charred Oak Clay Logs with Black Embers



MLRL
Split Oak Ceramic Fiber Logs with Black Embers



English logs
Long - MLENL Short - MLENS

Clear 130 - 40"

TECHNICAL INFORMATION

SUBJECT	DETAILS	
TYPE OF GAS	Natural Gas (NG) or Propane (LPG)	
VENT	4/6" or 5/8" Direct Vent	
HEAT BARRIER	Screen (standard) or Double Glass (optional)	
INTERIOR DESIGN MEDIA	Wood Style	Log Set with Embers: Charred Oak Clay Logs Split Oak Ceramic Fiber Logs Driftwood Logs Mixed Long and Short Branches with Embers
	Ceramic Fiber Stones	Colors: Grey or White
		Size: Large or Small
	Polished Ceramic Glass	Colors: Amber, Black, Blue and Clear
General Note	Leave 20% of burner and grill uncovered by media	
WEIGHT	Clear 40H70	206 lbs.
	Clear 60x80	319 lbs.
	Clear 75x65	358 lbs.
	Clear 75	378 lbs.
	Clear 110	383 lbs.
	Clear 110H	440 lbs.
	Clear 130	375 lbs.
	Clear 130H	450 lbs.
	Clear 150	590 lbs.
Clear 150H	767 lbs.	

SUBJECT	DETAILS	
WEIGHT	Clear 200	534 lbs.
	Clear 200H	580 lbs.
	Clear 250	621 lbs.
	Clear 250H	807 lbs.
STANDARD	Safety	ANSI Z21.88/CSA 2.33-2014
	Efficiency	ANSI P.4.1-09
OPERATION	Mertik Maxitrol Remote Control (full automatic, wall control unit is optional), electronic ignition	
ELECTRICAL REQUIREMENTS	All models are provided with an AC adapter which requires a 110 volts 20-amp outlet. Double Glass and Power Vent features require an additional 2nd and 3rd outlet.	

Product Specifications

The fireplace has been certified for use with either Natural Gas (NG) or Liquefied Petroleum (LPG).

All Ortal fireplaces operate with a direct vent, balanced flue venting system. A direct vent gas fireplace is room-sealed by a glass front. The flue uses natural ventilation to pull air in from and release exhaust gases to the outside. Refer to manual for clearance distances. Installation is recommended in living spaces such as bedrooms, living rooms, etc.

The fireplace must be properly connected to a venting system.

The fireplace must be installed according to Ortal USA requirements in addition to any local codes that may apply. If none existent, then the current CSA installation code must be followed:

- USA, ANSI Z223.1/NFPA 54
- Canada, CSA B149

GAS PRESSURES & POWER OUTPUT

SERIES	FRONT MODELS	GAS	INLET PRESSURES		MANIFOLD PRESSURES		HEAT OUTPUT	
			Min.	Max.	Min.	Max.		
FRONT SERIES	Natural Gas (NG)							
	40H70	Natural Gas (NG)	5.0" WC	10.0" WC	1.6" WC	4.7" WC	16,147 BTU/hr	29,100 BTU/hr
	60x80, 75, 75x65	Natural Gas (NG)	5.0" WC	10.0" WC	1.6" WC	4.7" WC	16,100 BTU/hr	29,100 BTU/hr
	110, 110H, 130, 130H	Natural Gas (NG)	5.0" WC	10.0" WC	2.1" WC	5" WC	22,800 BTU/hr	37,100 BTU/hr
	150, 150H, 170, 170H	Natural Gas (NG)	5.0" WC	10.0" WC	0.9" WC	3.5" WC	23,300 BTU/hr	43,700 BTU/hr
	150, 150H, 170, 170H	Natural Gas (NG)	5.0" WC	10.0" WC	0.88" WC	4.5" WC	24,200 BTU/hr	51,300 BTU/hr
	Propane (LPG)							
	40H70	Propane (LPG)	11.0" WC	13.0" WC	4.5" WC	10.9" WC	17,796 BTU/hr	28,500 BTU/hr
	60x80, 75, 75x65	Propane (LPG)	11.0" WC	13.0" WC	4.5" WC	10.9" WC	13,800 BTU/hr	22,100 BTU/hr
	110, 110H, 130, 130H	Propane (LPG)	11.0" WC	13.0" WC	7.3" WC	10.8" WC	22,900 BTU/hr	28,500 BTU/hr
	150, 150H, 170, 170H	Propane (LPG)	11.0" WC	13.0" WC	5.8" WC	10.7" WC	27,100 BTU/hr	36,900 BTU/hr
	150, 150H, 170, 170H	Propane (LPG)	11.0" WC	13.0" WC	6.5" WC	10.6" WC	26,400 BTU/hr	36,700 BTU/hr

Parts Included:

- Ortal fireplace box
- Ceramic Glass Panel
- Screen barrier comes standard with every model but may be substituted with the Double Glass feature.
- Choice of Ortal interior media, options specified in table above.
- Ortal burner (sizes vary based on fireplace selection)
- Mertix GV60 combination control valve, Mertix Maxitrol GV60 ignition and control system (wireless remote control with battery and receiver) for LPG or NG
- Spark/pilot/thermal coupling unit
- 10mm ratchet wrench
- Mounting brackets
- Full set of flue restrictors
- AC adapter (Electrical requirement: 110 volts 20-amp outlet)

FIREBOX FRAMING DIMENSIONS

MODELS	HEIGHT FROM FLOOR TO BOTTOM OF WOOD STUD/COMBUSTIBLE		HEIGHT FROM FLOOR TO BOTTOM OF METAL STUD		MINIMUM INTERIOR CAVITY WIDTH	MINIMUM INTERIOR CAVITY DEPTH
	Screen	Double Glass	Screen	Double Glass		
40H70	53-3/4"	NA	36-1/4"	NA	24-1/2"	18-3/4"
60X80	55-1/4"	56 3/4	38"	39 1/2	29-1/4"	18-1/2"
75X65	51-3/4"	53 1/4	34-1/4"	35 3/4	38-1/4"	18-1/2"
75	43-1/2"	45	26-1/4"	27 3/4	37-3/4"	18-1/2"
110	40"	41 1/2	22-1/2"	24	52"	18-1/2"
110H	47-3/4"	49 1/4	30-1/2"	32	52"	18-1/2"
130	40"	41 1/2	22-1/2"	24	58-1/2"	18-1/2"
130H	47 3/4"	49 1/4"	30 1/2"	32	58 1/2"	18 1/2"
150	40"	41 1/2	22-1/2"	24	68-1/2"	18-1/2"
150H	47-3/4"	49 1/4	30-1/2"	32	68-1/2"	18-1/2"
170	40"	41 1/2	22-1/2"	24	76-1/4"	18-1/2"
170H	47 3/4"	49 1/4"	30 1/2"	32	76 1/4"	18 1/2"
200	40"	41 1/2	22-1/2"	24	85-3/4"	18-1/2"
200H	47-3/4"	49 1/4	30-1/2"	32	85-3/4"	18-1/2"
250	43"	44-1/2"	25-3/4"	27-1/4"	106"	18-1/2"
250H	47 3/4"	49 1/4"	30 1/2"	32	106"	18-1/2"



Clear 110H
California



ORTAL[®]
YOUR LIFE. YOUR FIRE.

Ortal | USA

Tel: 1 (818) 238-7000 | Fax: 1 (818) 678-0541 | info@ortalheat.com

8421 Canoga Ave, Canoga Park, CA 91304, USA

www.ortalheat.com

Due to fuel type, altitude and venting configuration, the flame height may differ from shown



KBFL17