



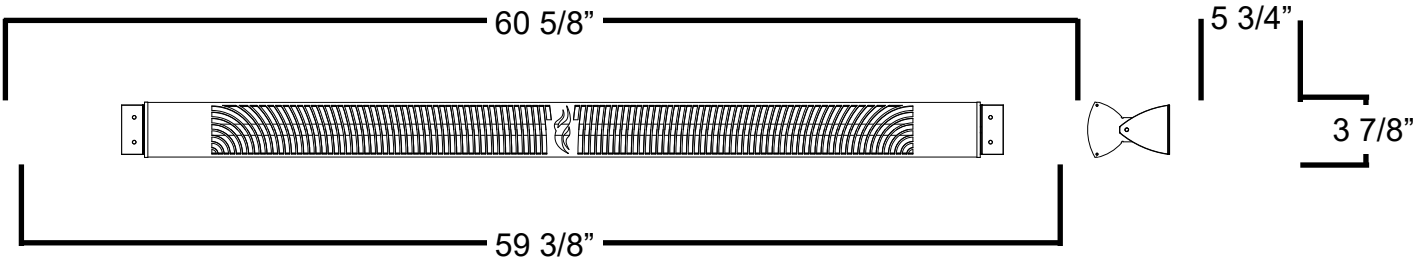
NOVA SUN 60
OUTDOOR 3000 WATT INFRARED HEATER
OPERATIONS MANUAL



Read these instructions completely before beginning installation. Failure to follow them could result in serious injury and/or property damage.

**INSTALLER: Leave this manual with the appliance.
CONSUMER: Retain this manual for future reference.**

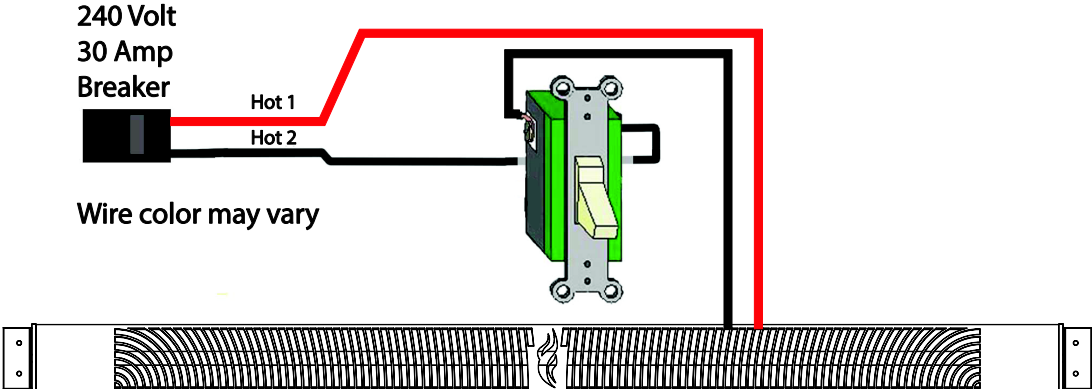
PRODUCT DIMENSIONS



POWER DATA

Volts	240 50-60 Hz
Amps	13 Amps
Watts	3000 W
Box Size	6" x 7" 62"
Box Weight	9 lbs

Modern Flames Nova Sun Outdoor Infrared Heater is a hard wired device designed to power on from a Circuit breaker, time clock or wall switch. See diagram below. Electrical connection must be completed by a licensed electrician following local code.



OPERATION

INSTALLATION

Modern Flames Nova Sun should be mounted under cover at a height above 90 inches high. Heights above 108 inches will degrade heating effect. This can be wall or ceiling mounted.

Electrician must provide switched 240v circuit with ground and flex whip at mounting height on right side of installation. Secure flex whip in knock out at bracket on the left side enter the heater. Use approved connectors to terminate connections.

Installer must choose correct wall mounting hardware for location chosen. Installer should adjust the decorative face of the heater towards the subject to be warmed by infrared heat.

OPERATION

Turn on the circuit breaker (time clock or switch) for heat.

© 2016

MODERN  FLAMES

www.modernflames.com
Please dispose of properly.

