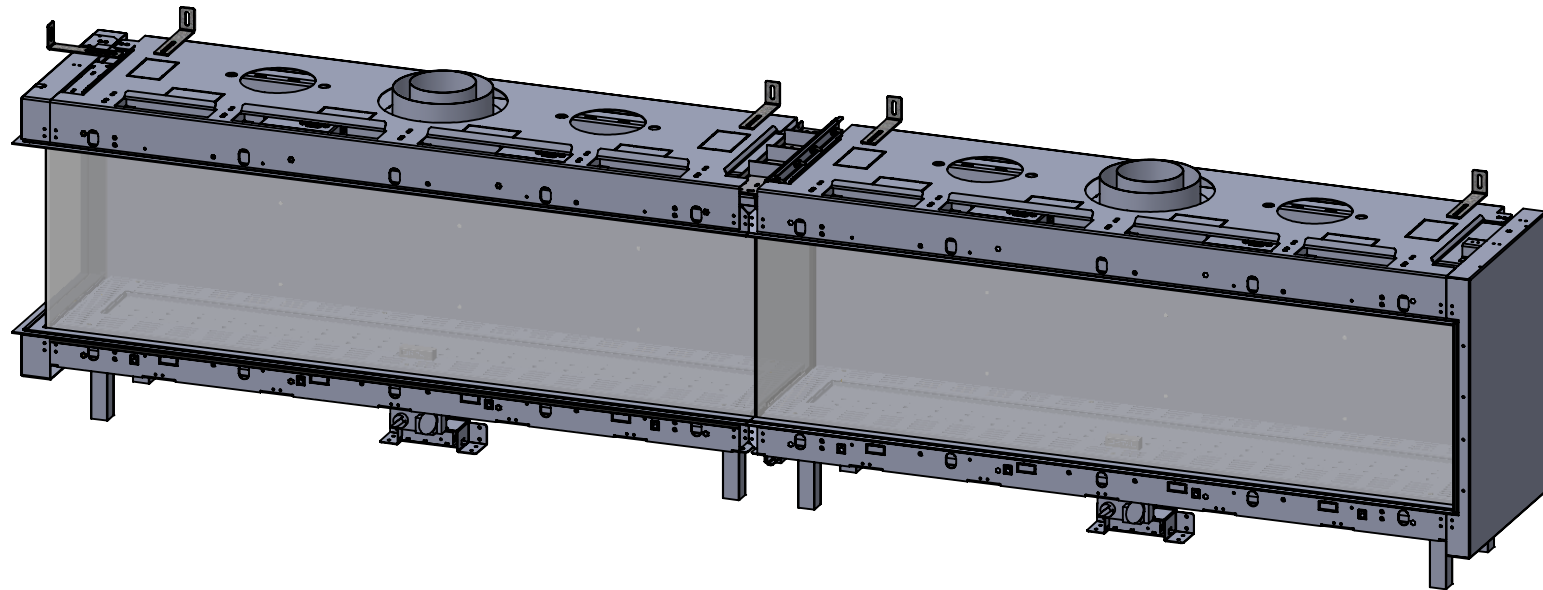
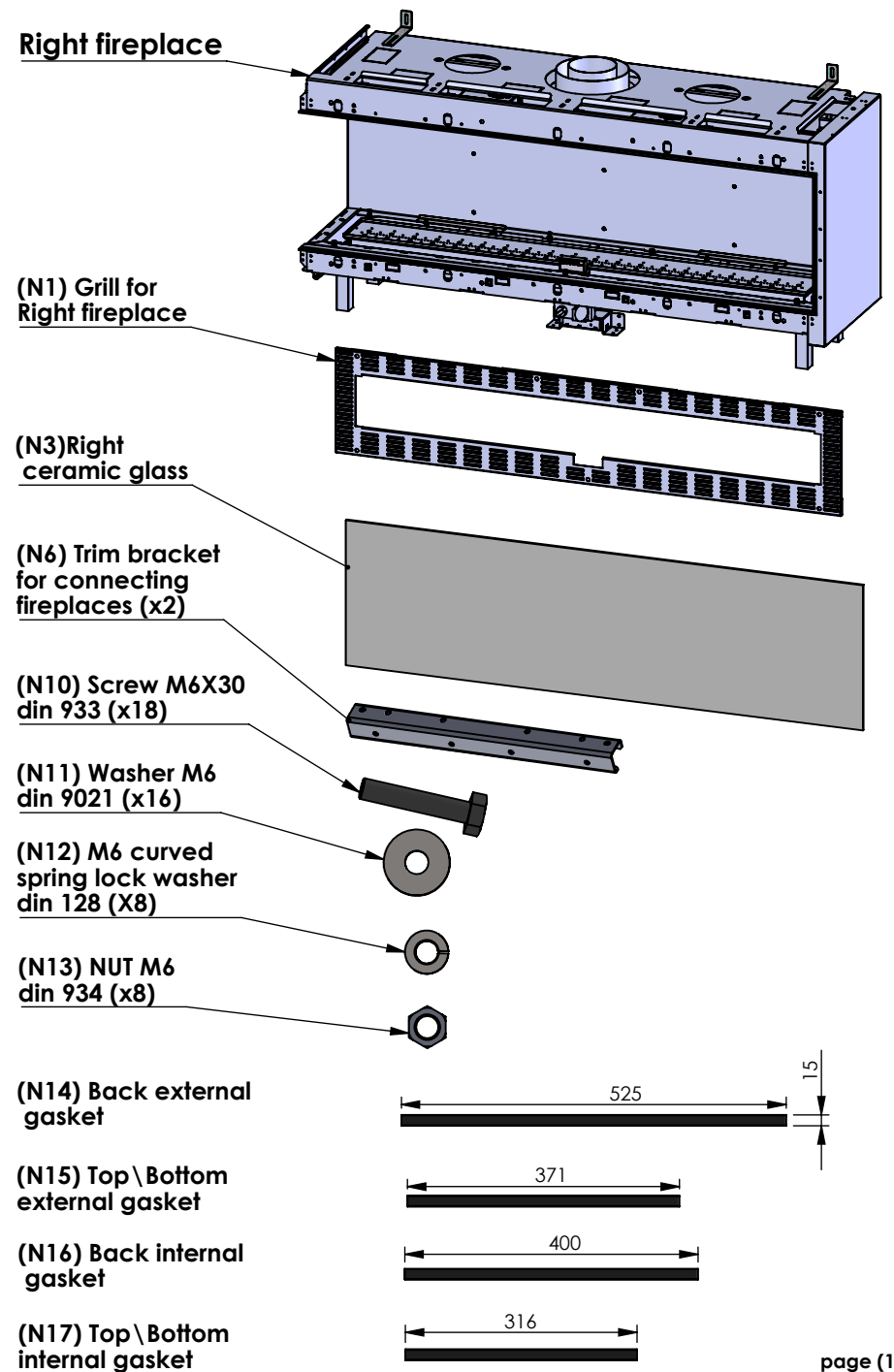
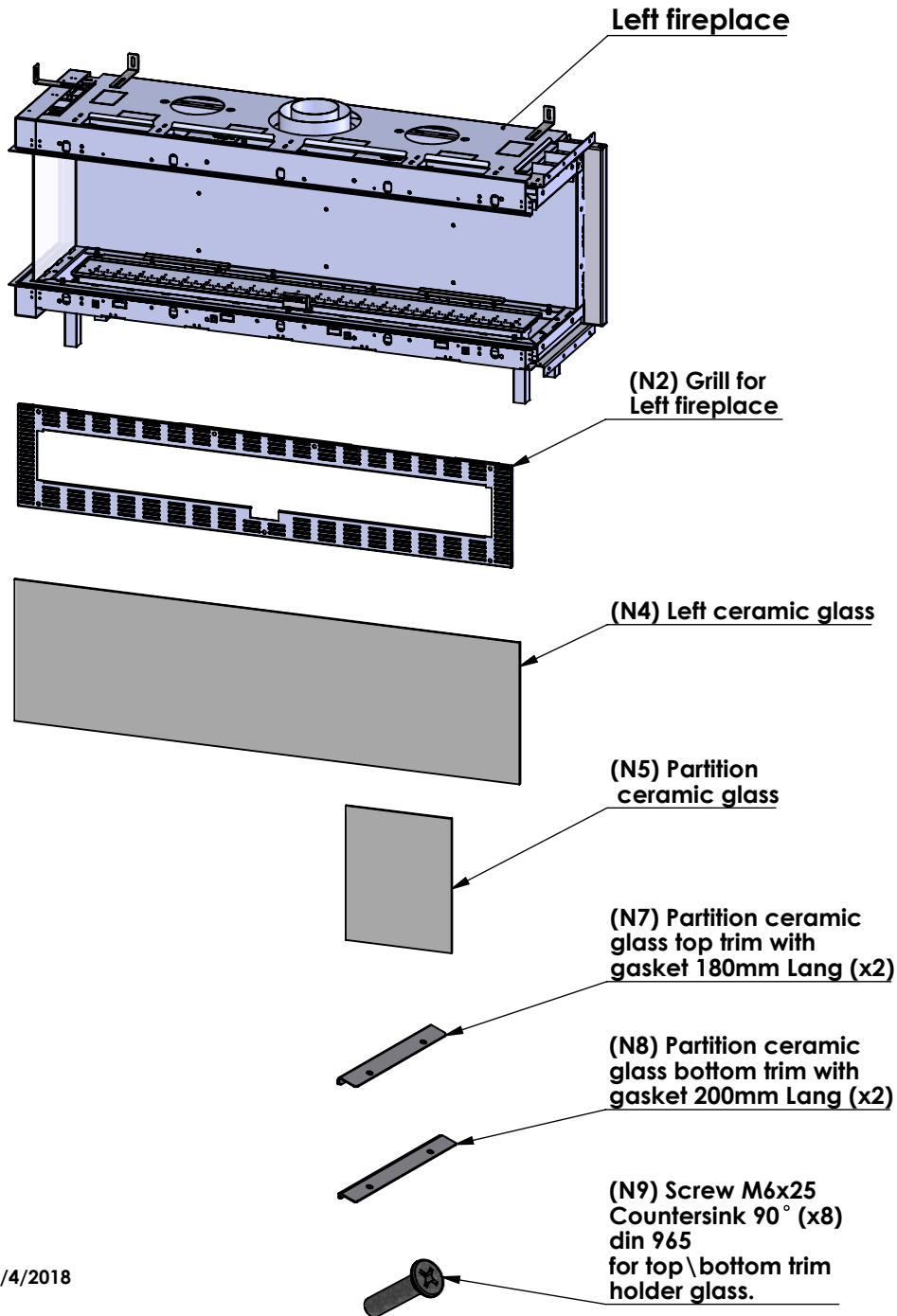


MODULAR FIREPLACE

Connecting fireplace instruction



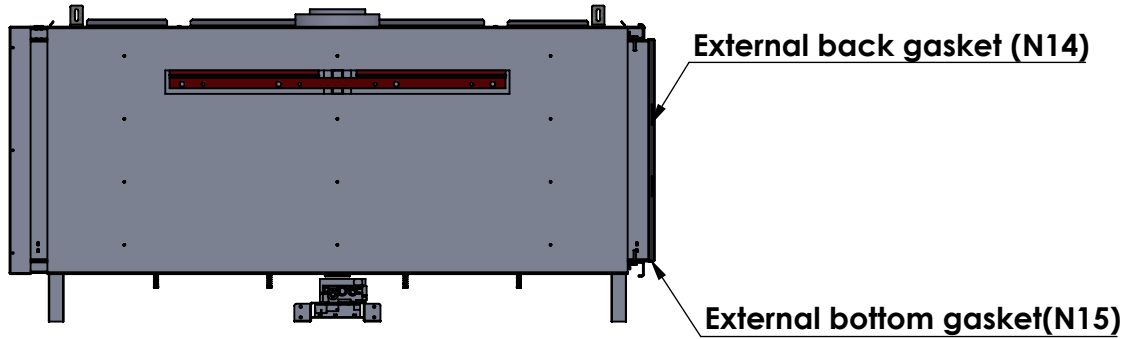
ASSEMBLY PARTS LIST



Fireplaces Connection instructions

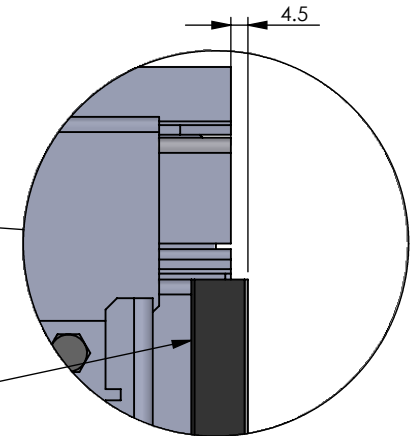
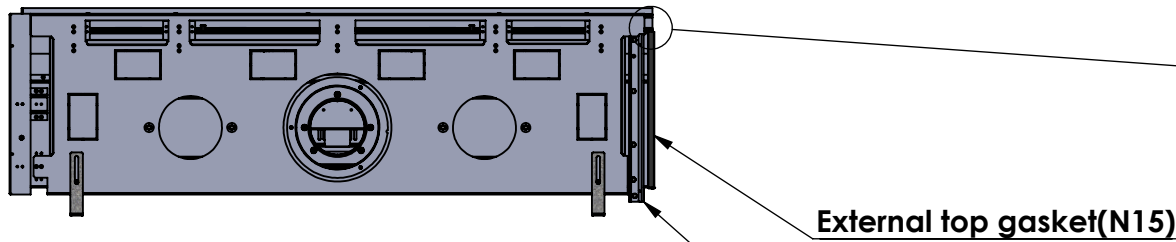
1. Remove the front ceramic glass(N3+N4). keep each glass to is fireplace.
2. Remove the grill from the fireplace(N1+N2). keep each grill to is fireplace.
3. Remove the trim holder(N7+N8) partition glass top and bottom.
4. In the right fireplace, stick the gasket to external top, back and bottom.

**RIGHT FIREPLACE
BACK VIEW**

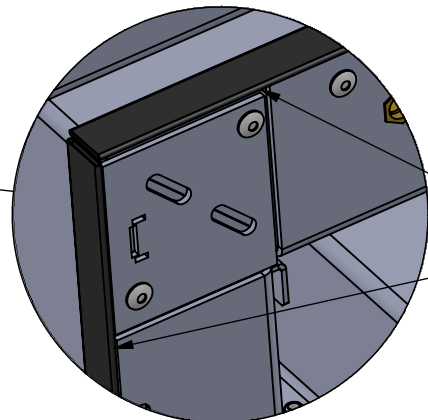
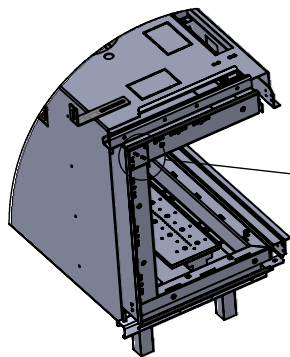


The gasket stands out
4 to 5 mm outward

**RIGHT FIREPLACE
TOP VIEW**

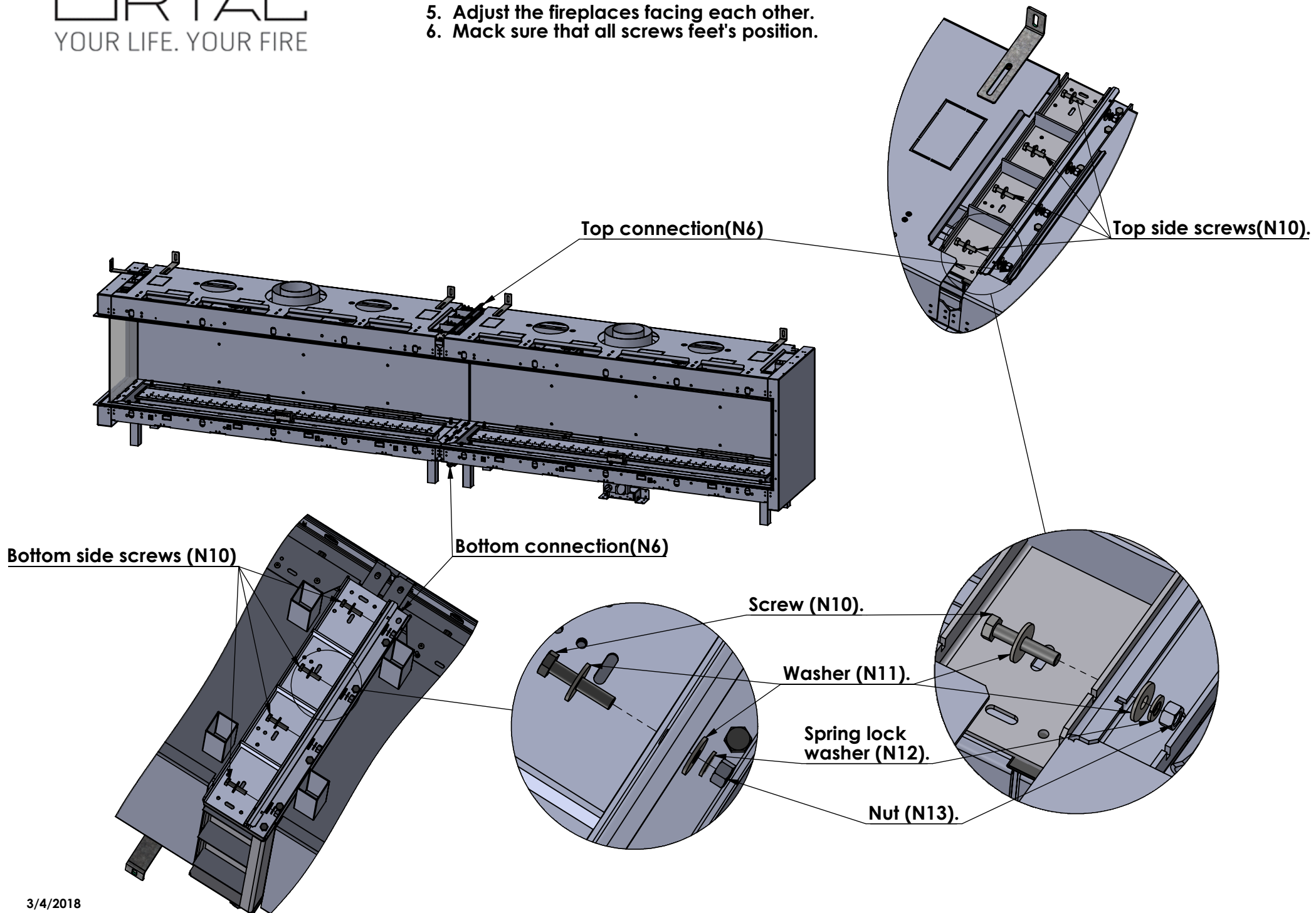


Trim connected fireplace,
top and bottom (N6).
Comes with a fireplace attached
with loose screws .



Connect the fireplaces together

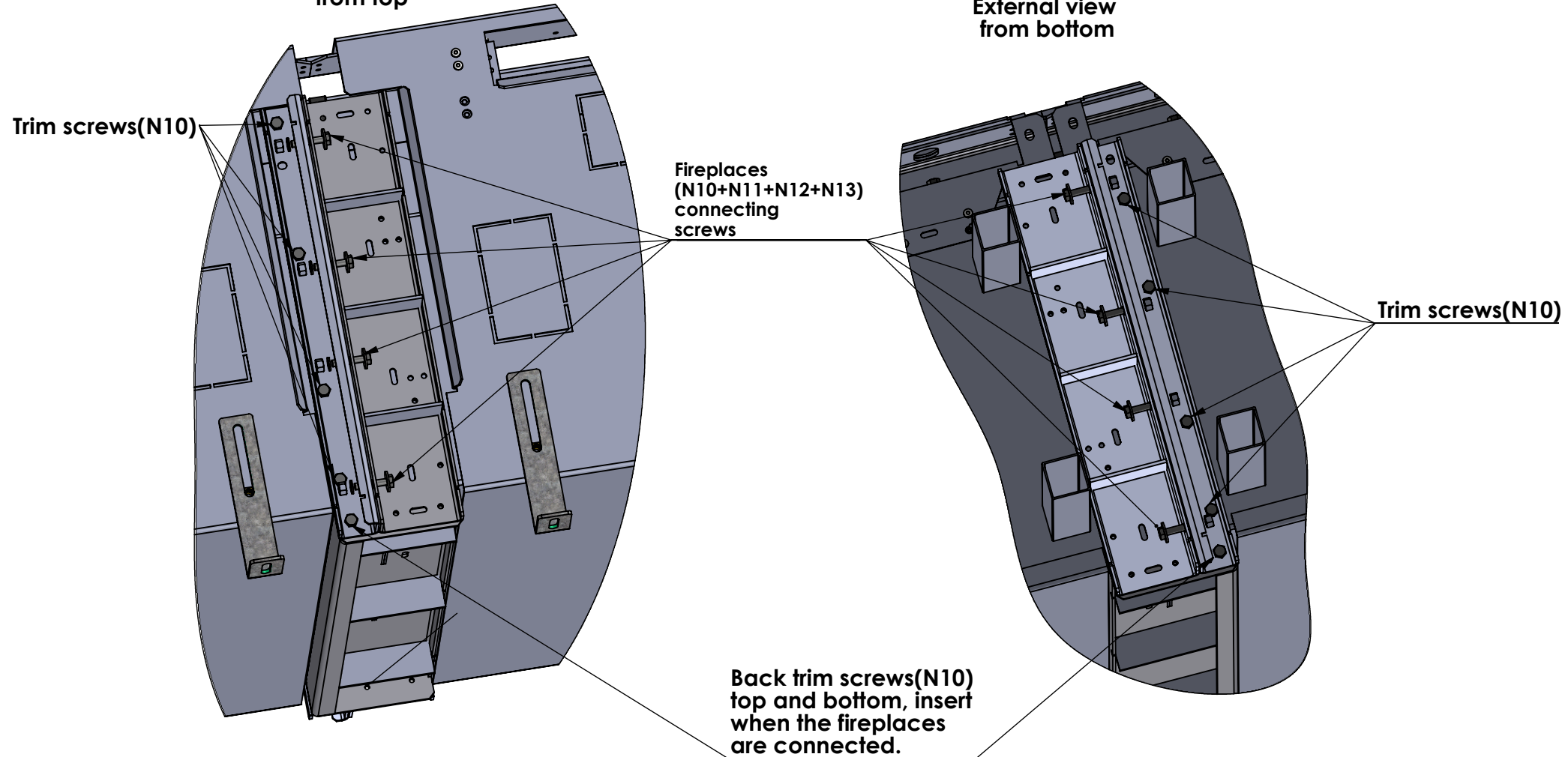
5. Adjust the fireplaces facing each other.
6. Make sure that all screws are in their position.



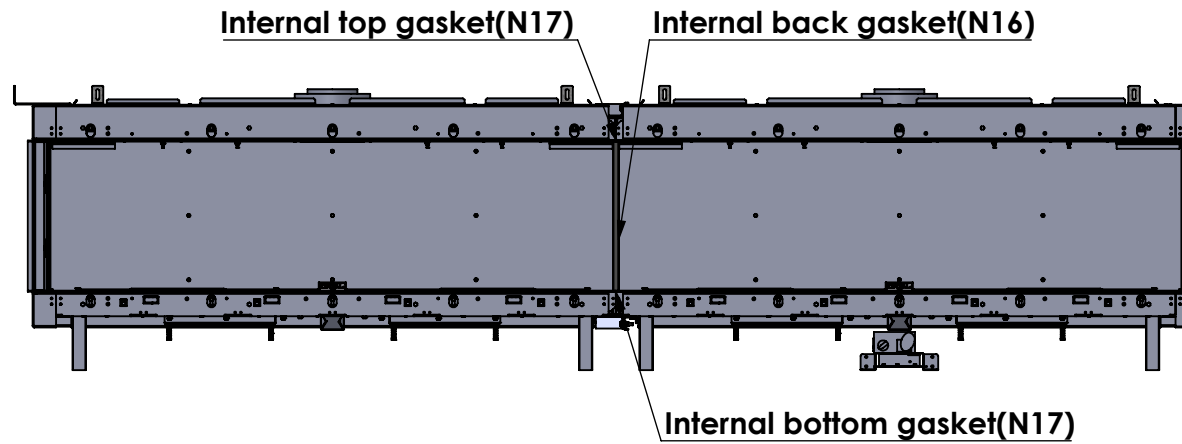
7. Connect the connecting screws(N10) half way (top and bottom sides).
8. Close the trim screws all the way
9. Tighten all screws gradually and simultaneously.
10. Insert the back trim screws (top and bottom sides).

External view
from top

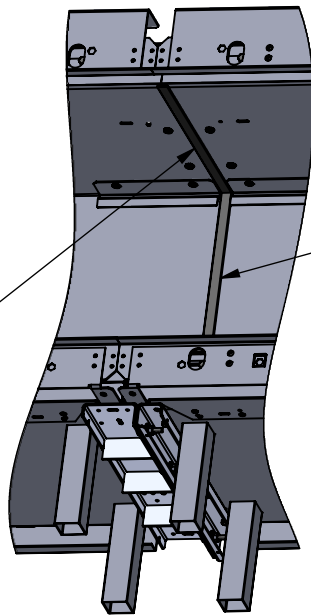
External view
from bottom



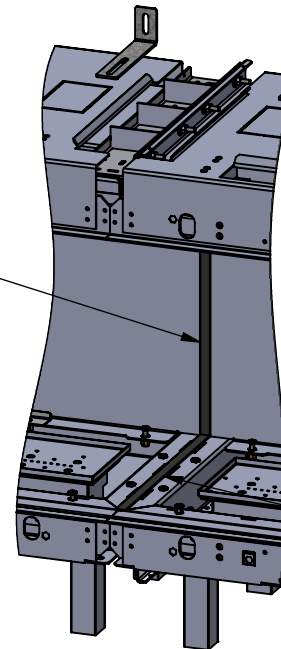
11. Stick the gasket inside the fireplace at the connection place



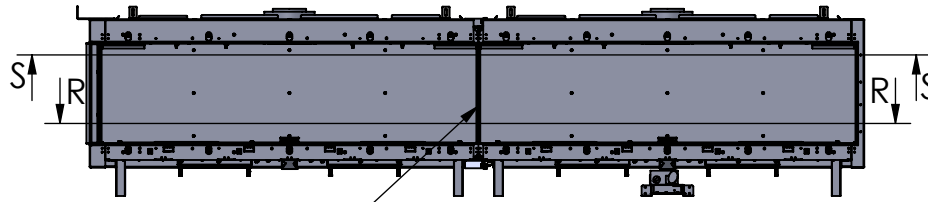
Stick the top(N17) gasket on the connecting place from inside



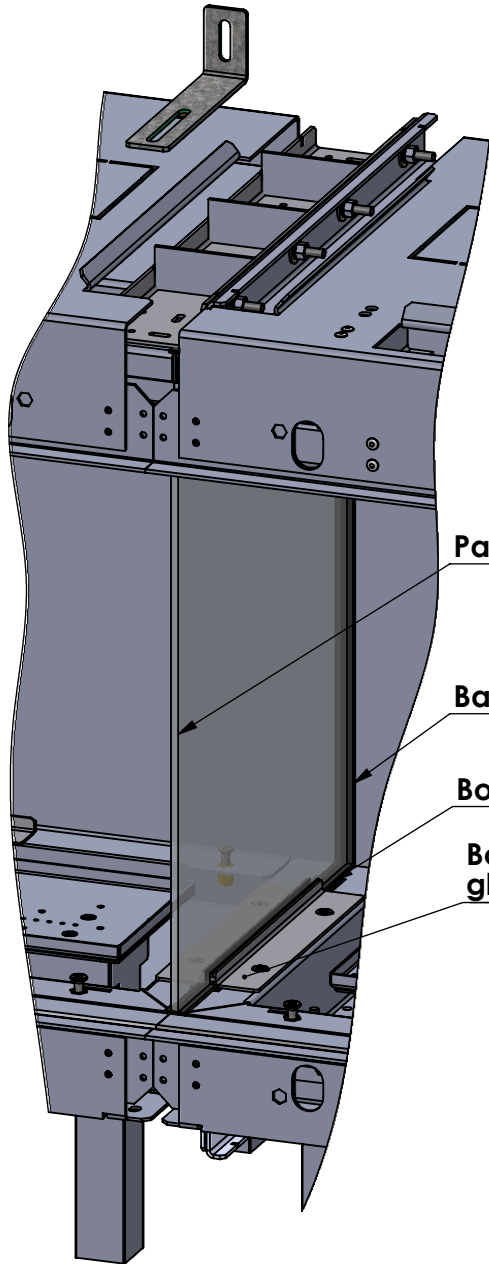
Stick the back(N16) gasket on the connecting place from inside



Stick the bottom(N17) gasket on the connecting place from inside



Insert the glass at the center(N5)



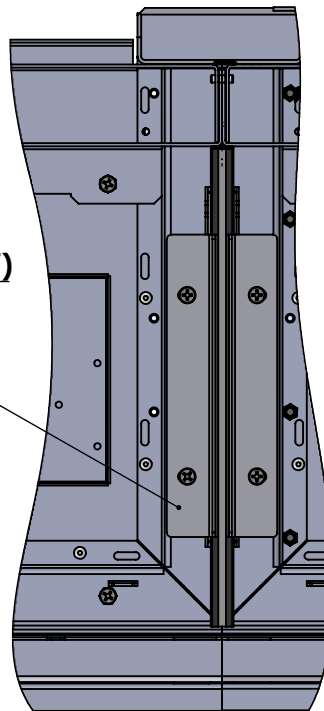
Partition glass(N5)

Back gasket(N16)

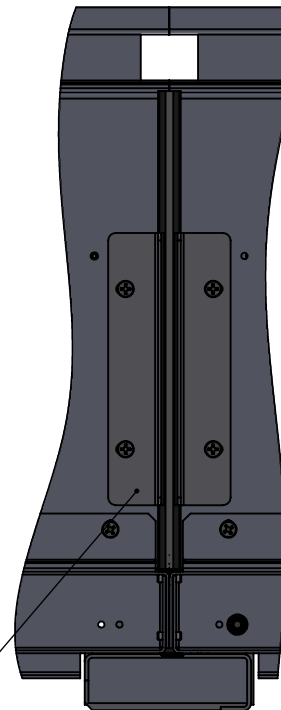
Bottom gasket(N17)

Bottom holder glass(N8)

VIEW
INTERNAL BOTTOM



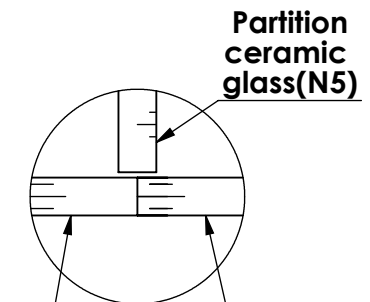
VIEW
INTERNAL TOP



Top holder glass(N7)

12. Attach the top and bottom glass partition holder on one side close with countersink screws(N9).
13. Insert the partition glass (N5) at the middle of the gasket, all the way to the back gasket.
14. Attach the other side top and bottom glass holder.
15. Adjust the glass to the middle
16. Gently tighten the glass holder against the glass.

17. Fix the grill in its places(N1+N2)
18. Fix the front glass(N3+N4)



Left front ceramic glass(N4)

Right front ceramic glass(N3)