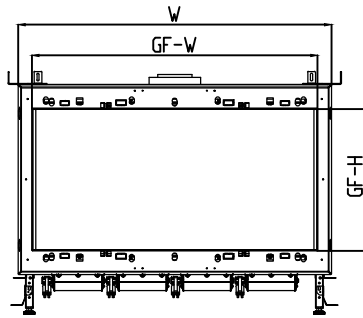
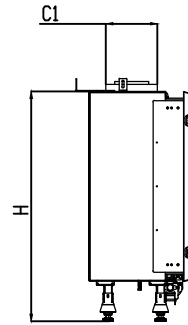


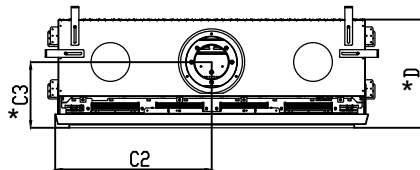
110-250 H Front Double Glass/Protective Screen - Flush



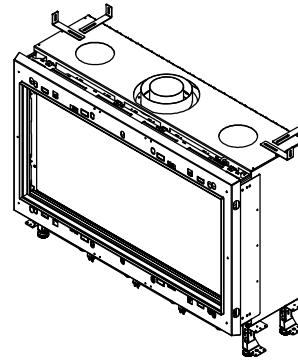
Front View



Side View



Top View



Model	(H) Height	(W) Width	(D) Depth	C1	C2	C3	Glass Opening	
							(GF) Front	(GS) Side
110 H	35 1/8"	47 7/8"	16 9/16"	7 7/8"	23 15/16"	10"	43 5/8" W X 21 5/8" H	—
130 H	35 1/8"	54 9/16"	16 9/16"	7 7/8"	27 5/16"	10"	50 5/16" W X 21 5/8" H	—
150 H	35 1/8"	64 7/16"	16 9/16"	7 7/8"	32 3/16"	10"	60 3/16" W X 21 5/8" H	—
170 H	35 1/8"	72 5/16"	16 9/16"	7 7/8"	36 1/8"	10"	68" W X 21 5/8" H	—
200 H	35 1/8"	81 3/4"	16 9/16"	7 7/8"	40 7/8"	10"	77 1/2" W X 21 5/8" H	—
250 H	35 1/8"	100 3/8"	16 9/16"	7 7/8"	49 13/16"	10"	96 1/4" W X 21 5/8" H	—

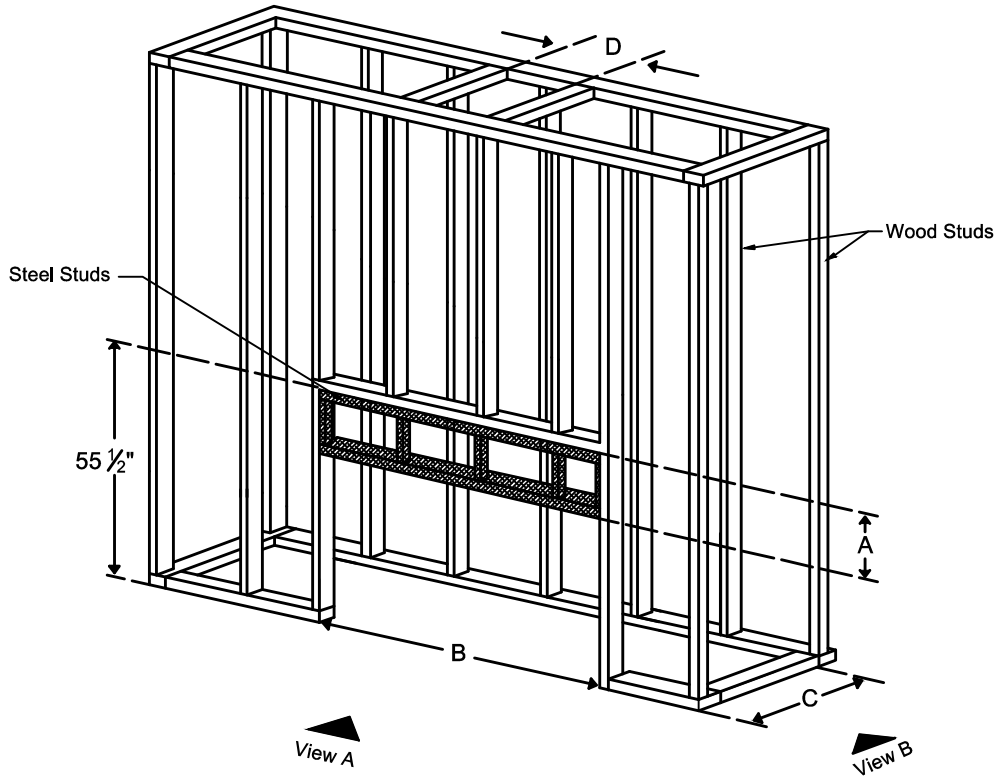
* Dimensions includes 1/2" lip (for drywall)

Note : 1. Drawings are not to Scale

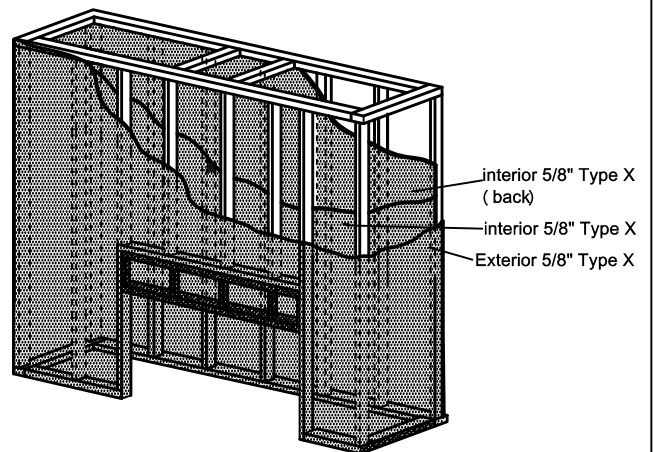
2. All dimensions in inches

3. The dimensions are both for
Double Glass and Protective Screen

110-250 H Front Double Glass/Protective Screen - Flush



Model	A	B	C	D
110 H	19 1/2"	53 1/8"	18 1/16"	10"
130 H	19 1/2"	59 13/16"	18 1/16"	10"
150 H	19 1/2"	69 1/16"	18 1/16"	10"
170 H	19 1/2"	77 9/16"	18 1/16"	10"
200 H	19 1/2"	87"	18 1/16"	10"
250 H	19 1/2"	105 5/8"	18 1/16"	10"

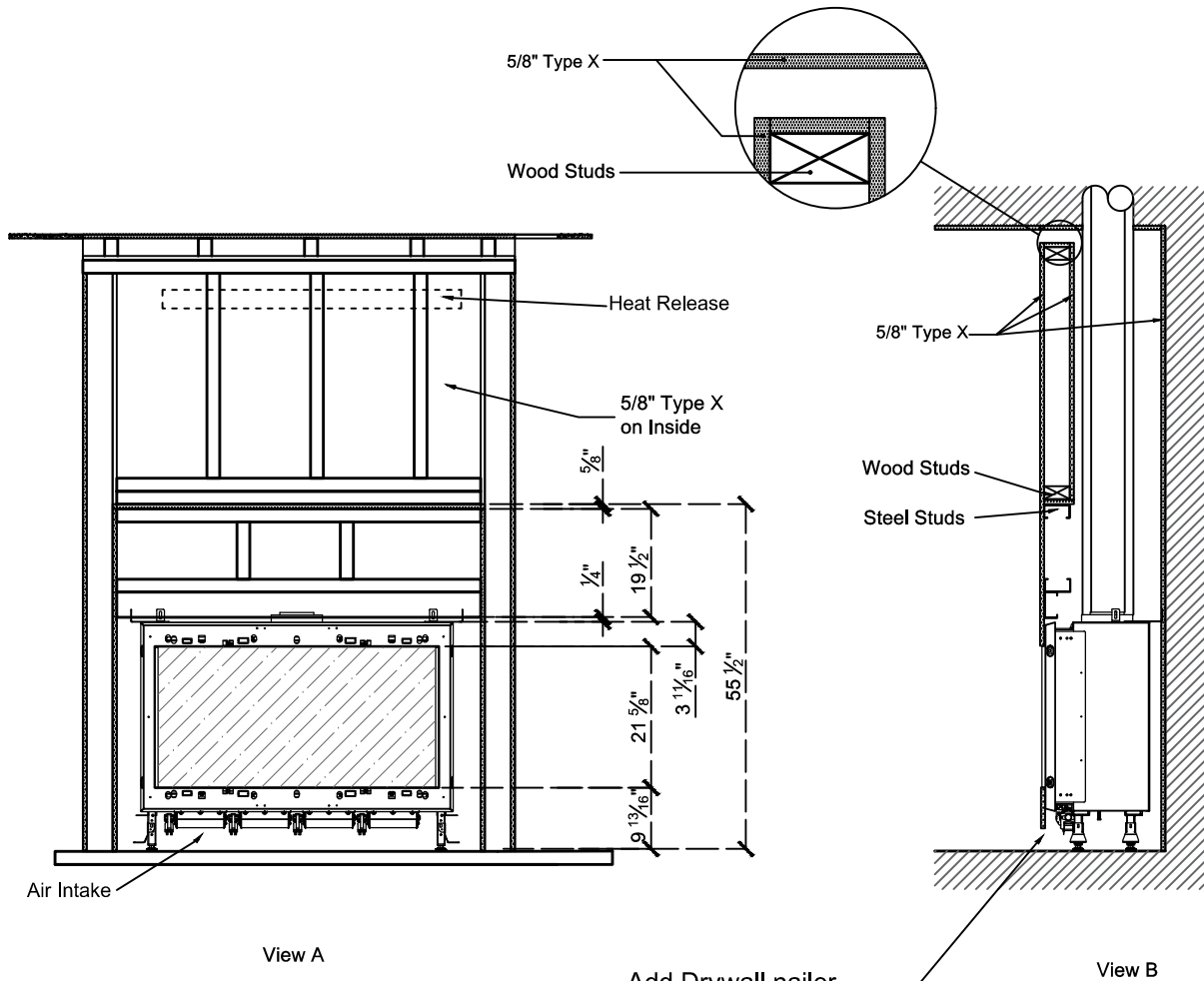


Note : 1. Drawings are not to Scale
2. All dimensions in inches
3. The dimensions are both for Double Glass and Protective Screen

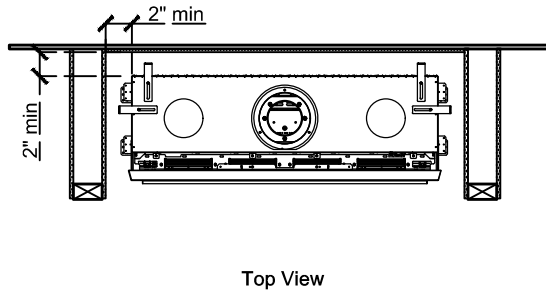
LEGEND

-
-
-
-
-
-

110-250 H Front Double Glass/Protective Screen - Flush



Add Drywall nailer as needed maintain 2" clearance to any part of Fireplace



Clearance 2" from each side to non combustible material

The valve can be moved 36" - 40" from the center of the fireplace in any direction

- Note :
1. Drawings are not to Scale
 2. All dimensions in inches
 3. The dimensions are both for Double Glass and Protective Screen