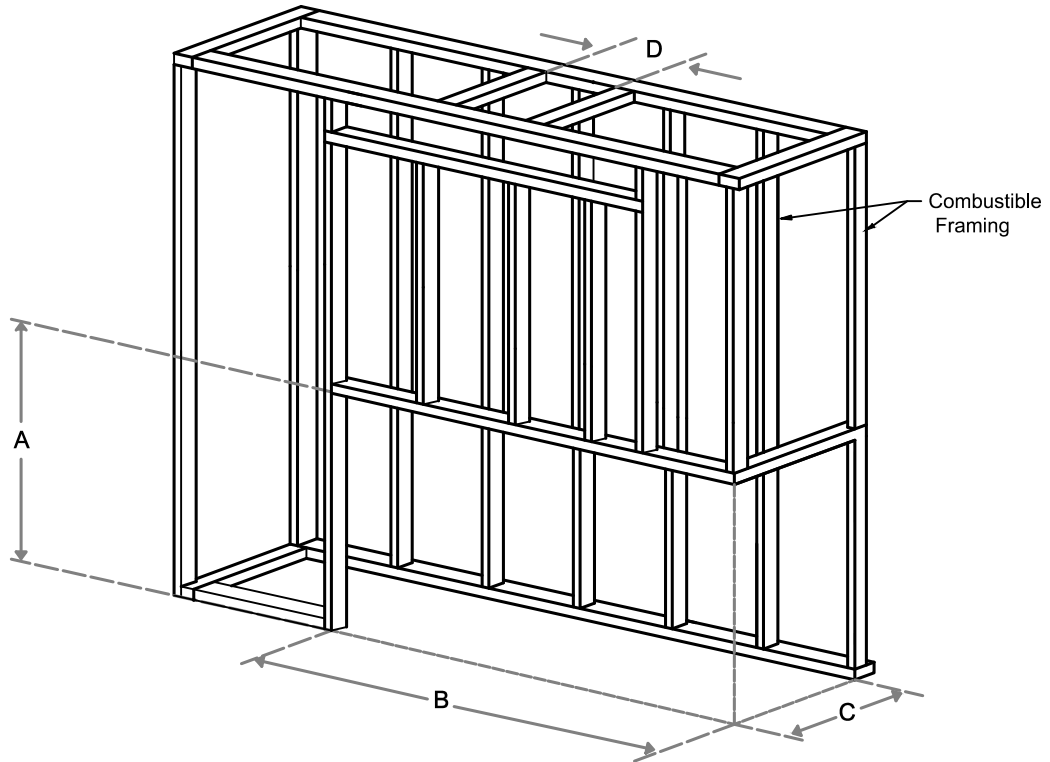


# Framing Information: 98H Corner (RS/LS) (Screen & Double Glass)



## Framing Dimensions



Model	A	B	C	D
98H RS/LS	41 $\frac{1}{16}$ "	104 $\frac{1}{2}$ "	21 $\frac{5}{8}$ "	Refer to Vent Manufacturer's Firestop Dimensions

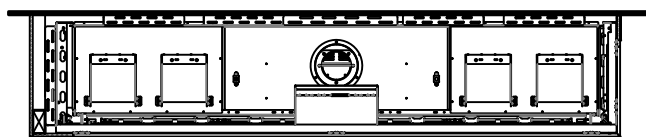
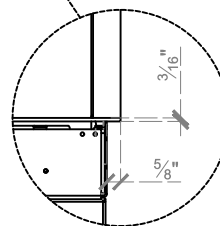
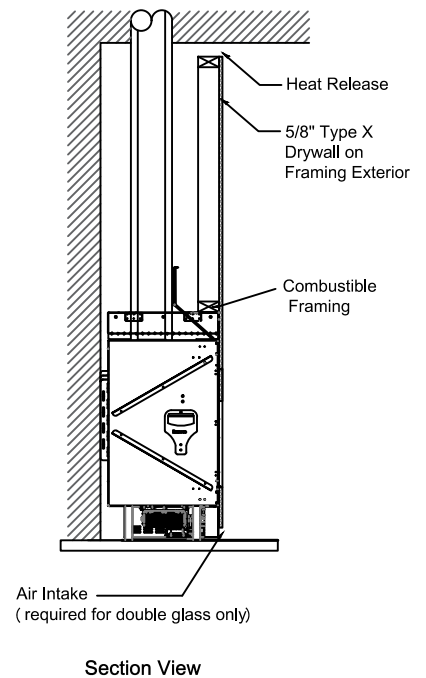
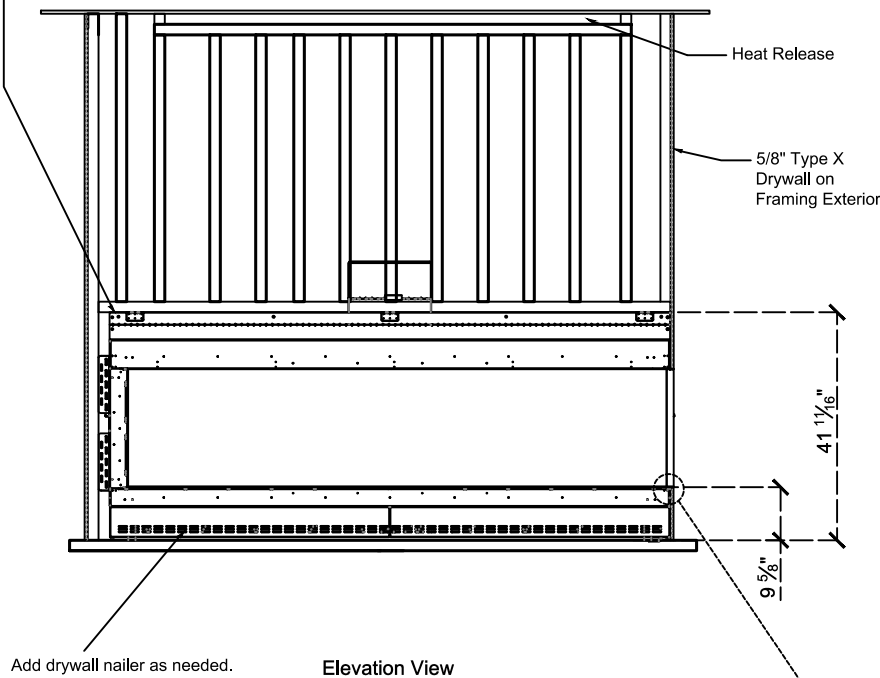
- Note .1 :Drawings are not to Scale  
 2. All dimensions in inches  
 3. No weight can be transferred to the fireplace. ALL FRAMING MUST BE SELF-SUPPORTED.

# Framing Information: 98H Corner (RS/LS) (Screen & Double Glass)



## Framing Details

Nailing flanges fold up and connect to the framing.  
 ALL FRAMING MUST BE SELF-SUPPORTED.  
 The fireplace must not bear any weight.



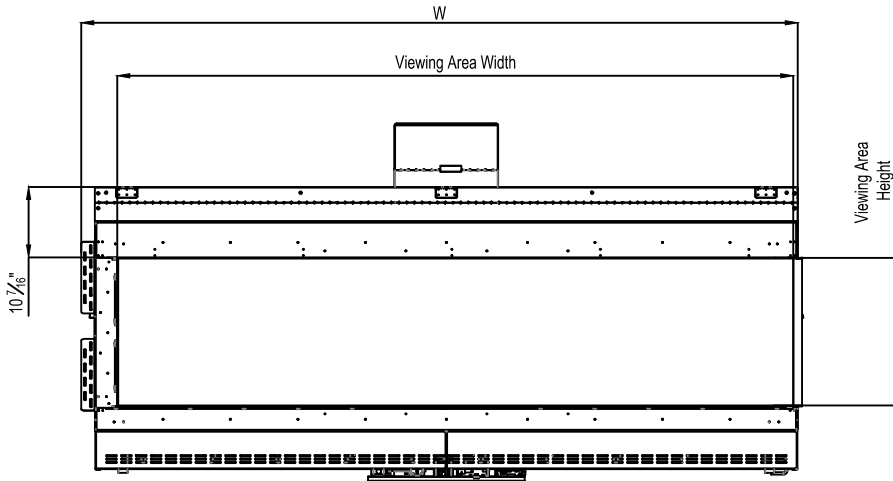
The valve can be moved 36" from the center of the fireplace in any direction

- Note .1 :Drawings are not to Scale  
 2. All dimensions in inches  
 3. No weight can be transferred to the fireplace. ALL FRAMING MUST BE SELF-SUPPORTED.

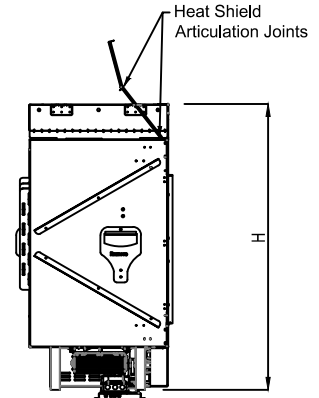
# Framing Information: 98H Corner (RS/LS) (Screen & Double Glass)



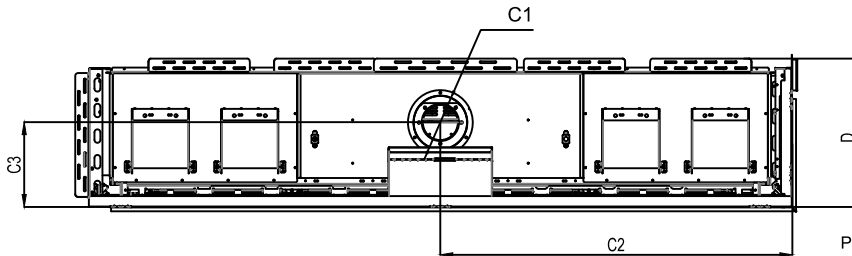
## Fireplace Dimensions



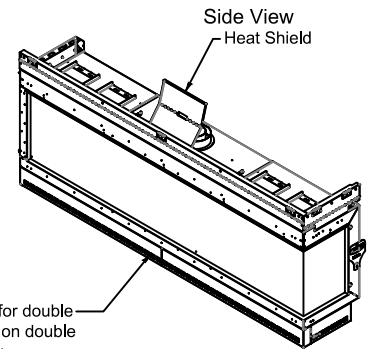
Front View



Side View



Top View



Protective Cover for double glass fans .Ships on double glass models only

Model	(H) Height	(W) Width	(D) Depth	C1	C2	C3	Viewing Area	
							Front	Side
98H RS/LS	41 1 <sup>1</sup> / <sub>16</sub> "	104 1 <sup>1</sup> / <sub>2</sub> "	21 5 <sup>5</sup> / <sub>8</sub> "	7 7 <sup>7</sup> / <sub>8</sub> "	51 1 <sup>1</sup> / <sub>4</sub> "	12 5 <sup>5</sup> / <sub>16</sub> "	98 1 <sup>1</sup> / <sub>2</sub> " W X 21 5 <sup>5</sup> / <sub>8</sub> " H	14 13 <sup>13</sup> / <sub>16</sub> " W X 21 5 <sup>5</sup> / <sub>8</sub> " H

Note : 1. Drawings are not to Scale  
2. All dimensions in inches