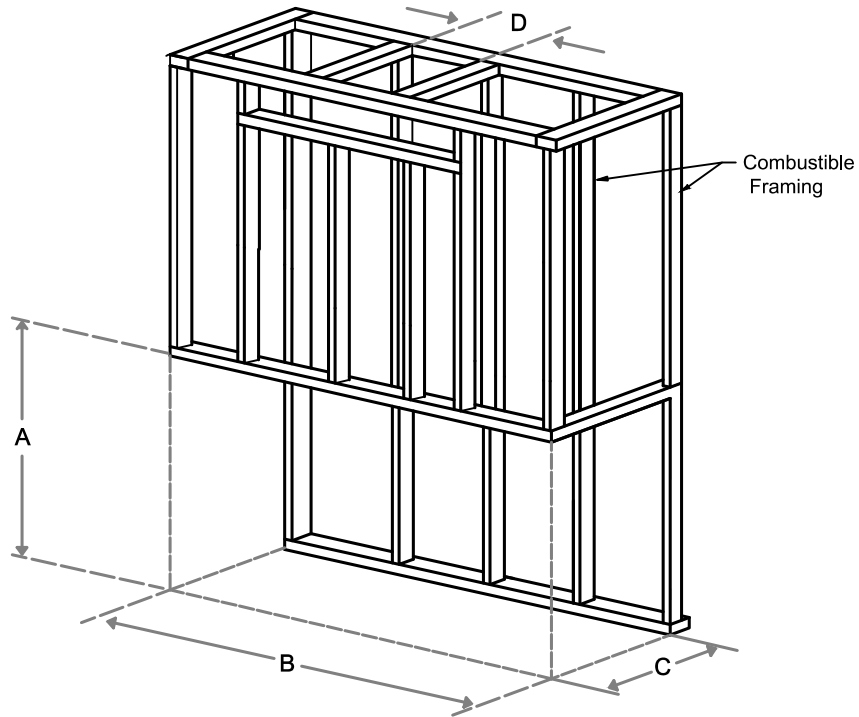


Framing Information: 44H Three Sided (TS) (Screen & Double Glass)



Framing Dimensions



| Model | A | B | C | D |
|--------|----------------------|----------------------|--------------------|--|
| 44H TS | 41 $\frac{11}{16}$ " | 48 $\frac{15}{16}$ " | 21 $\frac{5}{8}$ " | Refer to Vent Manufacturer's Firestop Dimensions |

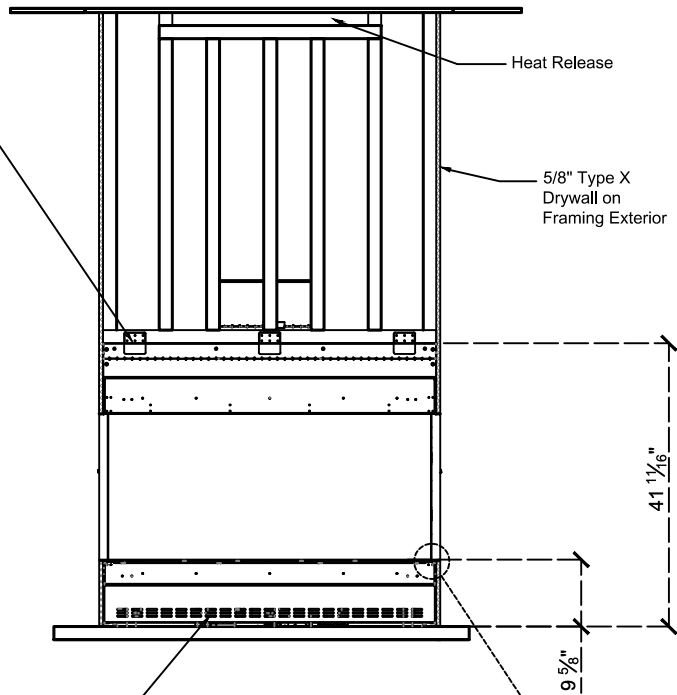
Note : 1. Drawings are not to Scale
 2. All dimensions in inches
 3. No weight can be transferred to the fireplace. ALL FRAMING MUST BE SELF-SUPPORTED.

Framing Information: 44H Three Sided (TS) (Screen & Double Glass)



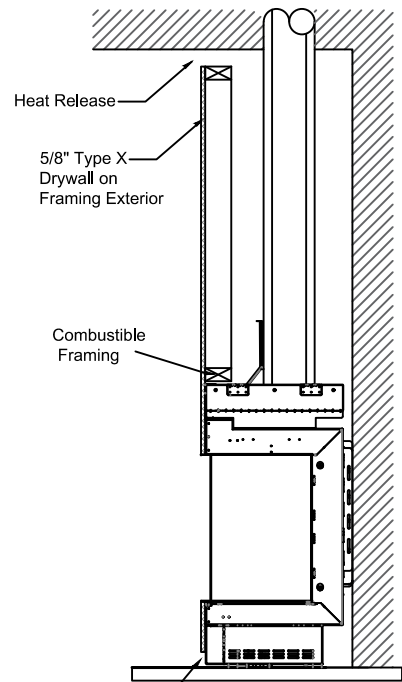
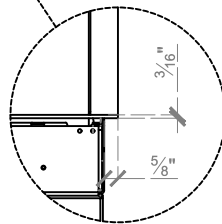
Framing Details

Nailing flanges fold up and connect to the framing.
ALL FRAMING MUST BE SELF-SUPPORTED.
The fireplace must not bear any weight.



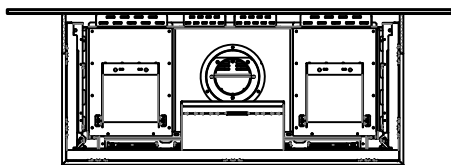
Elevation View

Add drywall nailer as needed.



Section View

Air Intake
(required for double glass only)



Top View

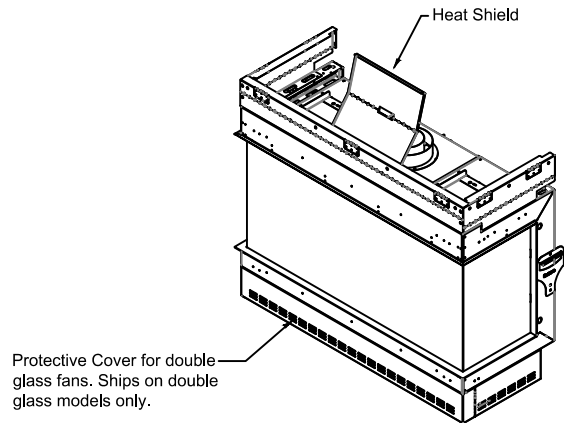
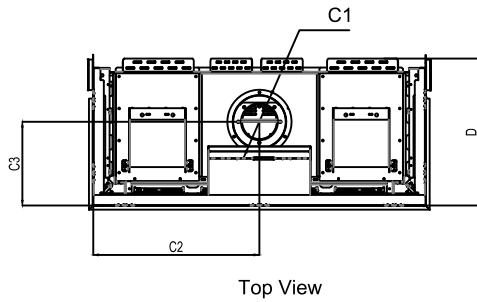
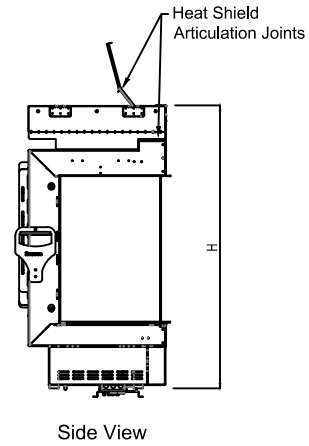
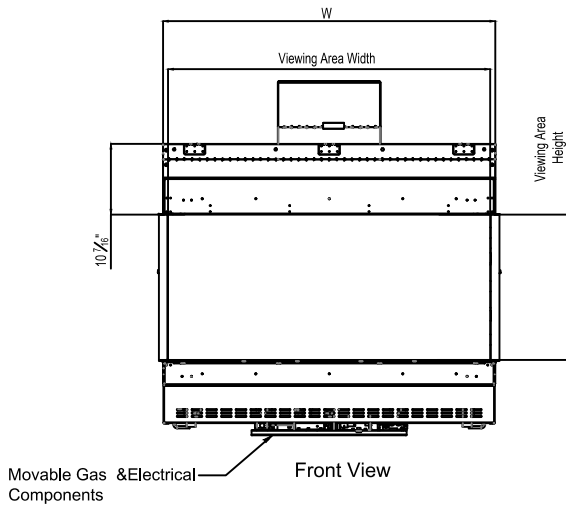
The valve can be moved 36" from the center of the fireplace in any direction

- Note :
1. Drawings are not to Scale
 2. All dimensions in inches
 3. No weight can be transferred to the fireplace. ALL FRAMING MUST BE SELF-SUPPORTED.

Framing Information: 44H Three Sided (TS) (Screen & Double Glass)



Fireplace Dimensions



| Model | (H) Height | (W) Width | (D) Depth | C1 | C2 | C3 | Viewing Area | |
|--------|------------|-----------|-----------|--------|---------|----------|-------------------------|-------------------------|
| | | | | | | | Front | Side |
| 44H TS | 41 11/16" | 48 15/16" | 21 5/8" | 7 7/8" | 24 4/8" | 12 5/16" | 48 15/16" W X 21 5/8" H | 14 13/16" W X 21 5/8" H |

Note : 1. Drawings are not to Scale
2. All dimensions in inches