

QUALITY FIREPLACES FOR LIFE.

Callaway 50 shown with a Gallery decorative surround, Rock Accent Media Kit with Black Enamel refractory, Reflective Midnight Crushed Glass burner media and a Black Sand perimeter

KOZY HEAT
FIREPLACES

KOZY HEAT FIREPLACES | CALLAWAY 50



CALLAWAY 50
DIRECT VENT FIREPLACE

Callaway 50 shown with a Forged decorative surround, Beach Accent Kit, LedgeStone refractory, Lava Rock burner media, and a Vermiculite perimeter



THE CALLAWAY 50

Wouldn't it be great to have the freedom of personalizing a fireplace to meet your own unique design inspirations? The **Callaway** linear fireplace offers a multitude of media options and design finishes to enhance any room; from modern to traditional. Our optional *'Komfort Zone'* heat distribution kit allows you to transfer heat into other rooms, or decrease the amount of space needed above the fireplace for a mantle or television. Create the wall that you've been dreaming about and let the **Callaway** transform your room from ordinary to amazing.



FIREPLACE OPTIONS & ACCESSORIES

Decorative Surrounds



Rectangle Surround (1 Piece)
Available in Black



Rectangle Surround (4 Piece)
Available in Black, Brushed Stainless



Gallery Surround
Available in Black, Brushed Stainless



Forged Surround
Available in Vintage Bronze & Weathered Charcoal

Media & Refractory



Rock Accent Media Kit with Black Enamel refractory, Reflective Midnight Crushed Glass burner media, and a Black Sand perimeter



Beach Accent Kit with Legestone refractory, Lava Rock media, and a Vermiculite perimeter



Traditional Log set with Chicago Brick refractory, Reflective Midnight Crushed Glass burner media, and Lava Rock perimeter



Traditional Log set with with Black Reflective Glass refractory, Reflective Midnight Crushed Glass Burner Media and Black Glass perimeter

Optional Burner Media



Reflective Midnight Crushed Glass



Reflective Copper Crushed Glass



Lava Rock

Optional Perimeter Media



Reflective Midnight Crushed Glass



Reflective Copper Crushed Glass



Black Sand



Vermiculite



Enamel Panel



Black Glass Panel

SPECIFICATIONS

Model	Callaway 50
Height	39-1/8"
Width	59-1/2"
Depth	18-15/16"
Weight	293 lbs
Viewing Area	49-7/8" x 13-3/8"
BTU NG High / Low	35,500 / 18,500
BTU LP High / Low	35,000 / 18,000
Efficiencies NG / LP	72.59% / 70.45%
ENERGUIDE P.4	73.49% / 72.74%
Valve System	IPI
Optional Media Options	Traditional Logs, Beach Accent Kit, Rock Accent Kit
Optional Refractory	Enamel Panels, Black Glass, Chicago Brick, LedgeStone
Burner Media (Required)	Reflective Crushed Glass, Lava Rock
Optional Perimeter Media	Reflective Crushed Glass, Lava Rock, Black Sand, Vermiculite, Enamel Panel, Black Glass Panel
Komfort Zone Kit	Optional
Fan Kit	Optional
Screen Front	Included

Features, Options & Specifications are subject to change.

Clearances

Model	Without Komfort Zone Kit
From appliance top stand-off brackets	3-1/2" / 89mm
From appliance left & right stand-off brackets	0"
From appliance back stand-off brackets	0"
From appliance corners	3" / 76mm
From appliance front	36" / 914mm
Appliance sides to adjacent sidewall	3" / 76"
Fireplace finishing edge to 3/4" (19mm) trim	18" / 457"
Mantle 6" (152mm) deep from fireplace finishing edge	21-1/2" / 545mm
Mantle 6" (152mm) deep from fireplace enclosure floor	48" / 1219mm
Minimum height of fireplace enclosure	48" / 1219mm

In order to continually provide the highest quality product available, features/options, specifications & dimensions are subject to change. Refer to the unit installation manual for complete installation instructions. Installation must conform with local building codes. **In some regions it may be possible that this appliance qualifies for an energy rebate. See your local dealer for details regarding promotions and qualifications.**

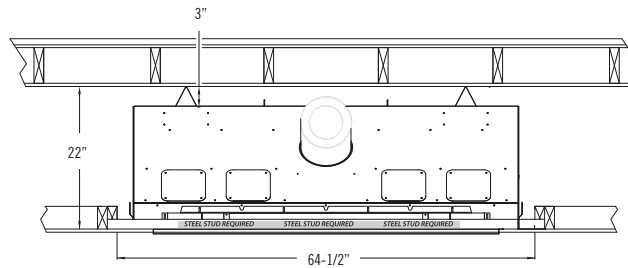
Manufactured by Hussong Mfg. Co., Inc.
204 Industrial Park Drive, Lakefield, MN 56150
Phone 1-800-253-4904 www.kozyheat.com

4-18

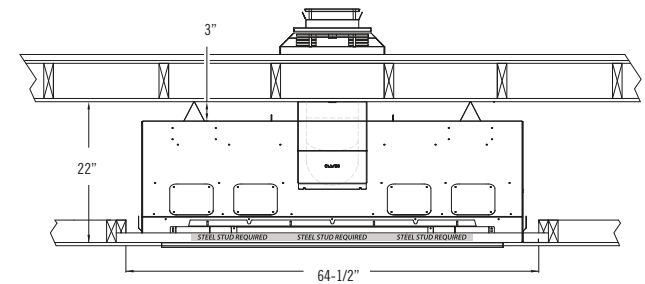


Callaway 50

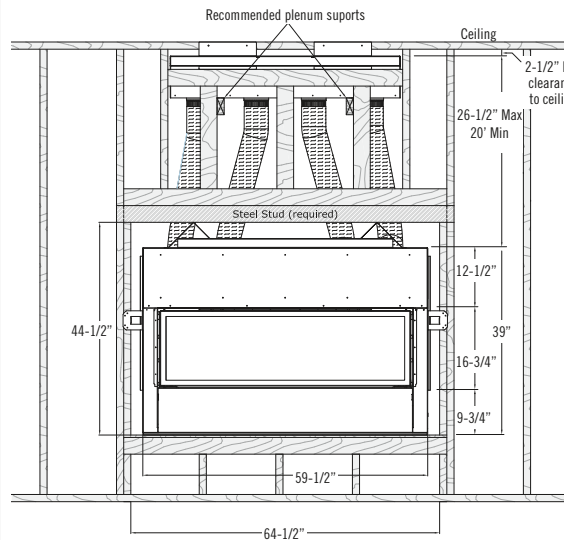
TYPICAL VERTICAL INSTALLATION



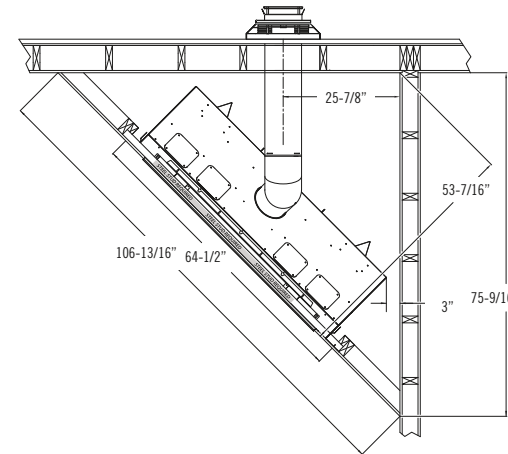
TYPICAL HORIZONTAL INSTALLATION



Optional Komfort Zone Kit



TYPICAL CORNER INSTALLATION



Vent System Approval & Requirements

This appliance is equipped for use with a 5" exhaust by 8" air intake co-axial vent pipe system. Vent reduction from 5" exhaust to a 4" exhaust may be used for a vertical and horizontal vent runs using the listed reducer from the approved vent manufacture.

Horizontal & Vertical Terminations

- American Metal™ Products (Ameri-Vent)
- BDM™
- ICC™
- Metal Fab™
- Olympia Chimney Supply, Inc.
- Security™
- Selkirk Metalbestos™
- Simpson Dura-Vent™ DV-PRO Pipe
- Kozy Heat #800 Series Flexible Direct Vent System (horizontal terminations only)

IMPORTANT: Kozy Heat's #800-WPT series, or a wall thimble products that comply with the required 3" (76mm) top clearance to combustibles, must be installed for all horizontal vent runs that pass through interior or exterior walls. These wall thimble products may be insulated using unfaced insulation products listed as noncombustible per ASTM E 136.

Flame height and appearance will vary depending upon venting configuration and the type of fuel used.

Elbows: For each additional 90° used after the first elbow, 3" must be subtracted from maximum venting allowed. For each 45° elbow used, 1-1/2" must be subtracted from the maximum venting allowed. (2) 45° may be used in place of (1) 90° elbow.

Horizontal Terminations

Minimum: 45° elbow + 6" + Termination Cap
Maximum: 45° elbow + 24" + Termination Cap

Vertical Terminations

Minimum: 3' + termination cap
Maximum: 50' + termination cap

Horizontal/Vertical Combo:

Please refer to the venting chart in the installation manual.

Burn Videos



Rock Accent Kit



Traditional Log Kit



Beach Accent Kit

Each unit factory tested

Refer to the installation manuals for complete installation & venting requirements. See additional mantel clearance configurations in the installation manual.

For complete information on the Kozy Heat product line, please contact us at: