

QUALITY FIREPLACES FOR LIFE.

KOZY HEAT FIREPLACES | CALLAWAY 50



Callaway 50 shown with the Komfort Zone Kit, standard inside fit screen front, Rock Accent Media Kit with Black Enamel refractory, Reflective Midnight Crushed Glass burner media and a Black Sand perimeter

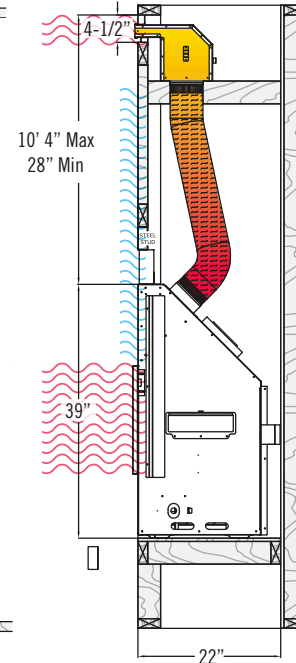
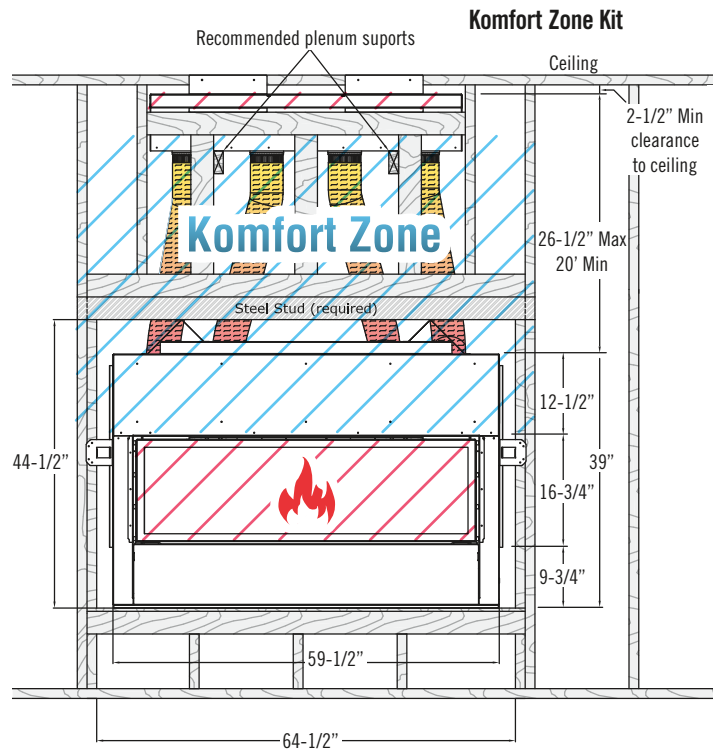
**KOMFORT ZONE KIT**

**CALLAWAY 50**  
DIRECT VENT FIREPLACE

# SPECIFICATIONS

Model	Callaway 50
Height	39-1/8"
Width	59-1/2"
Depth	18-15/16"
Weight	293 lbs
Viewing Area	49-7/8" x 13-3/8"
BTU NG High / Low	35,500 / 18,500
BTU LP High / Low	35,000 / 18,000
Efficiencies NG / LP	72.59% / 70.45%
ENERGUIDE P.4	73.49% / 72.74%
Valve System	IPI
Optional Media Options	Traditional Logs, Beach Accent Kit, Rock Accent Kit
Optional Refractory	Enamel Panels, Black Glass, Chicago Brick, LedgeStone
Burner Media (Required)	Reflective Crushed Glass, Lava Rock
Optional Perimeter Media	Reflective Crushed Glass, Lava Rock, Black Sand, Vermiculite, Enamel Panel, Black Glass Panel
Fan Kit	Optional
Screen Front	Included

Features, Options & Specifications are subject to change.



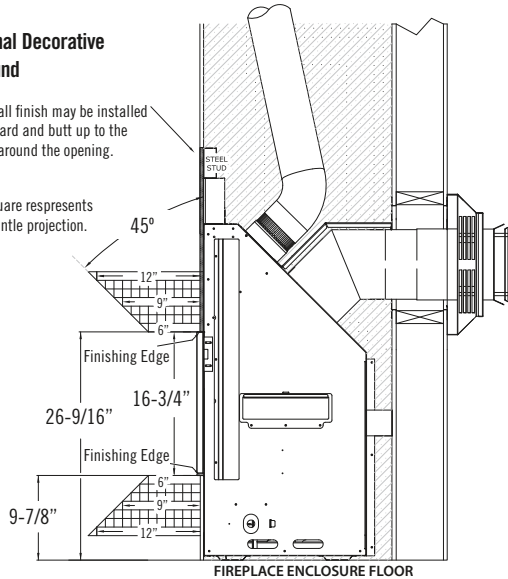
**Vent System Approval & Requirements**  
Please Refer to the Install Manual for All Vent System Approvals & Requirements

## Clearances

### Without Optional Decorative Screen Surround

Combustible wall finish may be installed over cement board and butt up to the finishing edge around the opening.

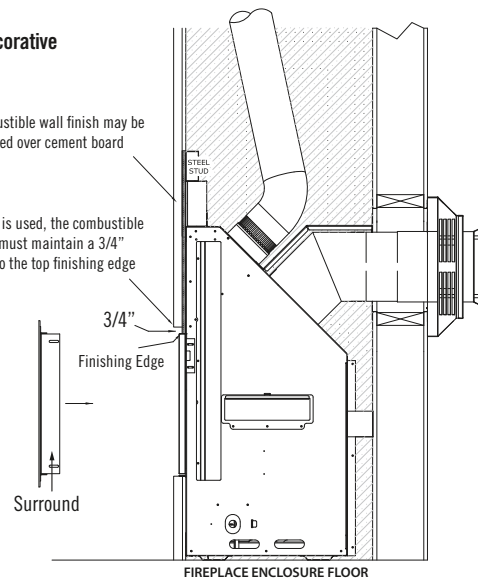
Each square represents 1" of mantle projection.



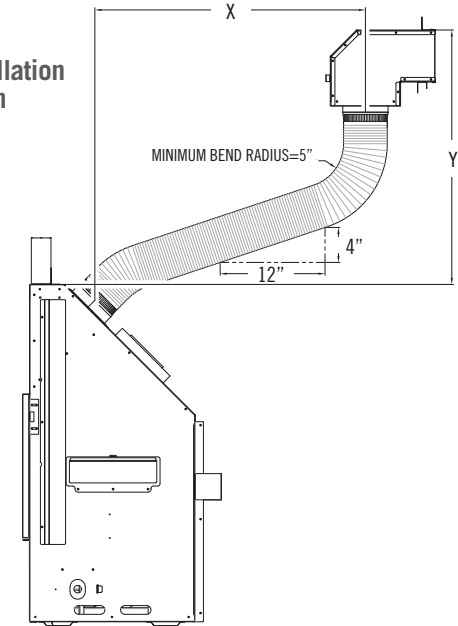
### With Optional Decorative Screen Surround

Combustible wall finish may be installed over cement board

If surround is used, the combustible wall finish must maintain a 3/4" clearance to the top finishing edge



### Plenum Installation to Back Room



In order to continually provide the highest quality product available, features/options, specifications & dimensions are subject to change. Refer to the unit installation manual for complete installation instructions. Installation must conform with local building codes. **In some regions it may be possible that this appliance qualifies for an energy rebate. See your local dealer for details regarding promotions and qualifications.**

Manufactured by Hussong Mfg. Co., Inc.  
204 Industrial Park Drive, Lakefield, MN 56150  
Phone 1-800-253-4904 [www.kozyheat.com](http://www.kozyheat.com)

4-18



Product Line:



For complete information on the Kozy Heat product line, please contact us at: