



Opti-myst® Pro 500

Built-in Electric Cassette

CDFI500-PRO

Design with fire,
not limitations.




Picture the perfect fireplace: any length, any location, and any number of sides. Forget about venting, gas lines and hot glass, because they are a thing of the past. Now imagine flames made of water that you can reach out and touch. The revolutionary Opti-myst by Dimplex reinvents the electric fireplace and makes it easier than ever to add a dramatic fire feature to any space. Single-sided, corner, 3-sided, see through 360° view, the possibilities are endless; so go ahead, play with fire.




Opti-myst® Pro 500 Built-in Electric Cassette

CDFI500-PRO

Customizable Flame
Shown with slot inserts for a contemporary ribbon of flame.



Adjustable from
9" (22.9 cm) to
9-1/2" (24.1 cm)




Customizable Flame
Shown with spacer inserts for a more organic flame.


20"
50.8 cm

12"
30.5 cm


Optional Media Kits




CDFI500-BLKRCK



CDFI500-RVRCK



CDFI500-DWSKIT



Optional Pro 500 Log Kit (CDFILOG)

Features

- Opti-myst® Flame Effect**
Revolutionary ultrasonic technology produces a fine mist to create the illusion of flames and smoke.
- Modular Design**
Multiple 20" (50.8 cm) and 40" (101.8 cm) cassettes can be combined in series to achieve the desired length for dramatic linear installations impossible to achieve with gas fires.
- Customizable Flame Width**
Includes spacers and slots for customizable flame width and pattern.
- Adjustable Flame Intensity**
Control the desired volume of flame to suit.
- Continuous Water Supply**
Optional plumbed water supply kit provides continuous operation without refilling water tanks.
- All-day Flames**
Fill the water tank with tap water and enjoy up to 8 hours of continuous flames.
- Crackling Sound Effects**
Enjoy a more complete sensory experience with the sound of natural wood fire.
- Frame, Wire and Finish**
Basic installation requires fewer tradespeople, no gas lines, venting or chimney.
- Zero Emissions**
The most sustainable fireplace option; no emissions and 100% efficient.
- Energy Efficient**
Uses low-energy LED lights for low-cost operation.
- Heat-free Operation**
Designed with the sole purpose of providing a stunning visual fire feature.
- Sight and Sound Remote**
Control the flames and crackling sound effects at the touch of a button.

120 Volts | 230 Watts | 785 BTU

Model #	Description	Lbs/Kg	UPC	Wty.	Carton Dimensions (WxHxD)		Cube	
					inches	cm	Ft³	M³
CDFI500-PRO	Opti-myst® Pro 500 Cassette	24.2 / 10.9	781052 113053	2 yr.	24-3/8 x 13-7/8 x 17-3/4	62.0 x 34.0 x 45.0	3.5	0.09
CDFILOG	Pro 500 Log Kit	28 / 12.7	781052 103238	1 yr.	23-1/2 x 11 x 17-1/2	59.7 x 27.9 x 44.5	2.62	0.07
CDFI500-TRAY	Media Tray	3.6 / 1.65	781052 117372	1 yr.	22-3/8 x 3-1/8 x 14-3/4	56.62 x 7.9 x 37.37	0.6	0.02
CDFI500-BLKRCK	Black Rock Media	12.1 / 5.5	781052 120983	1 yr.	14 x 3-1/4 x 6-1/4	6.34 x 1.44 x 2.82	0.16	0.00
CDFI500-RVRCK	River Rock Media	11.6 / 5.21	781052 121003	1 yr.	14 x 3-1/4 x 6-1/4	6.34 x 1.44 x 2.82	0.16	0.00
CDFI500-DWSKIT	Driftwood Media	0.99 / 0.44	781052 121034	1 yr.	17-5/8 x 3-7/8 x 5-3/4	44.5 x 9.60 x 14.3	0.22	0.00
CDFIPLUMB-KIT	Plumb Kit	0.7 / .32	781052 103221	1 yr.	15-1/2 x 3-1/2 x 6-1/2	39.4 x 8.9 x 16.5	0.20	0.00
CDFI-PLUGKIT	Plug Kit	1.2 / .54	781052 105591	1 yr.	11-1/4 x 3-1/4 x 4	28.7 x 8.1 x 10.2	0.08	0.00
CDFI-TMHEAT	Opti-myst® Heater	7 / 3.2	781052 121058	1 yr.	17-3/4 x 9-7/8 x 5-3/4	45.0 x 25.0 x 14.5	0.47	0.02

Specifications, finishes and dimensions are subject to change. *Limited warranty. ©2020 Glen Dimplex Americas

SE-370-R04-092420

Glen Dimplex Americas 1-800-668-6663 | www.dimplex.com

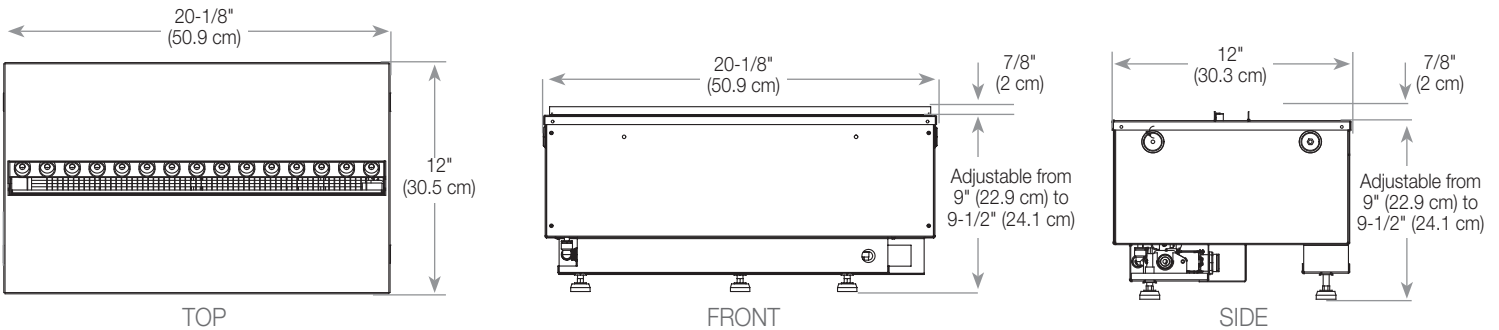
Opti-myst® Pro 500

Built-in Electric Cassette

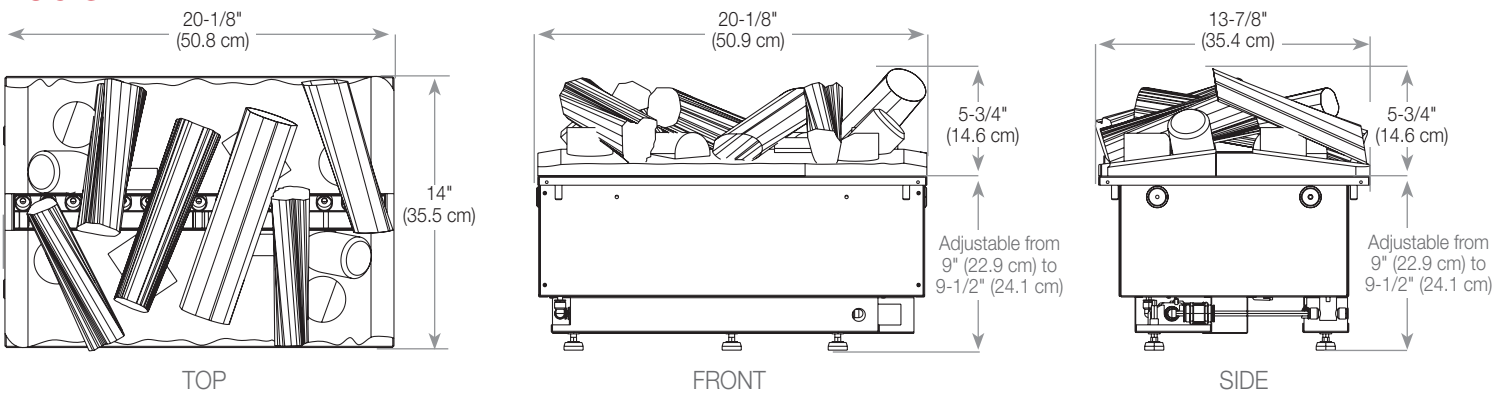
CDFI500-PRO

Product Dimensions:

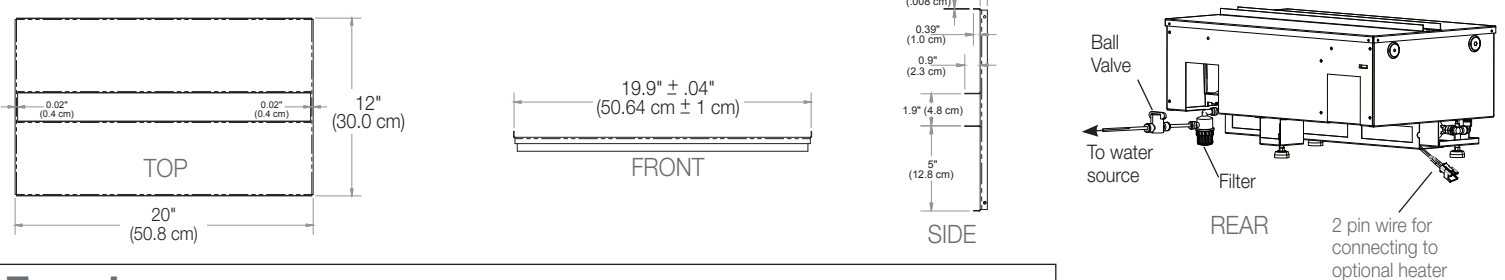
MEDIA PLATE



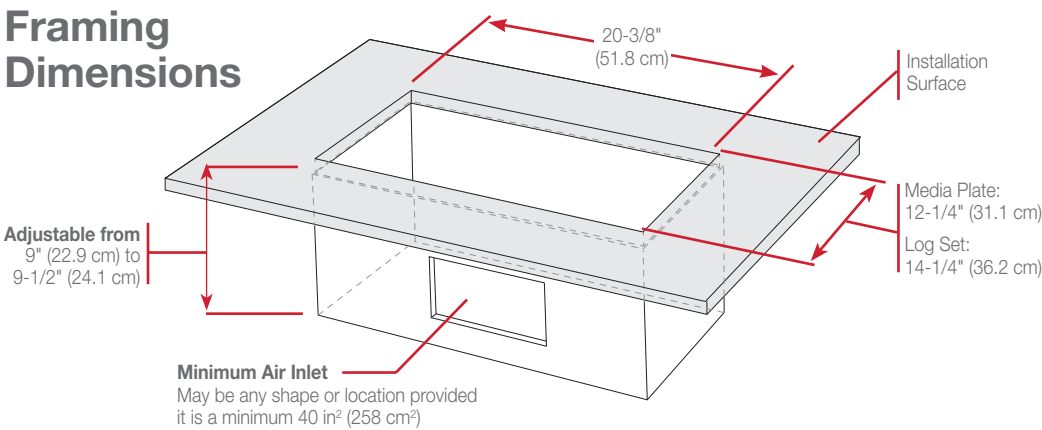
LOG SET



MEDIA TRAY



Framing Dimensions



Bluetooth Receiver

Must be connected for operation. Can be recessed inside the wall or installed for remote control accessibility.

