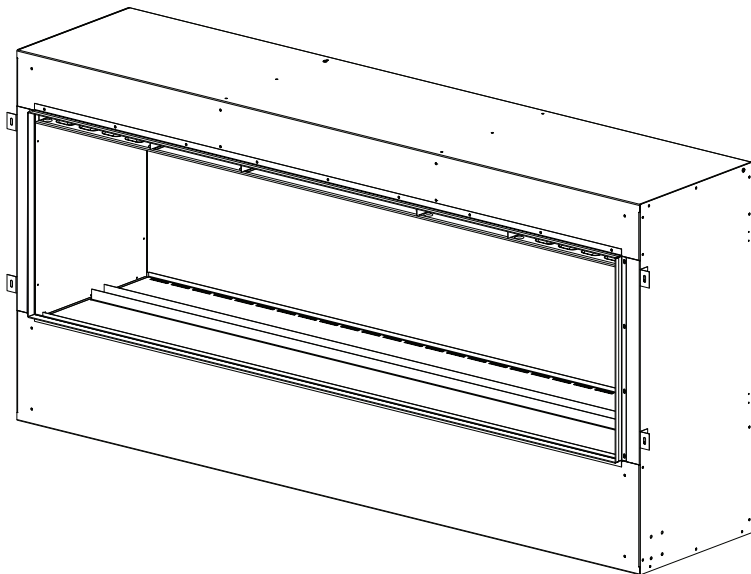




Owner's Manual

Model
CDFI-BX1500
6910370100










IMPORTANT SAFETY INFORMATION: Always read this manual first before attempting to install or use the Opti-myst® Pro Box Heater. For your safety, always comply with all warnings and safety instructions contained in this manual to prevent personal injury or property damage.

To view the full line of Dimplex products, please visit www.dimplex.com

7216190100R01



Table of Contents

 Welcome & Congratulations	3
 Important Instructions	4
 Installation	6
 Operation	12
 Maintenance	13
 Warranty	14
 Technical Support	16

Always use a qualified technician or service agency to repair this unit.

! NOTE: Procedures and techniques that are considered important enough to emphasize.

⚠ CAUTION: Procedures and techniques which, if not carefully followed, will result in damage to the equipment.

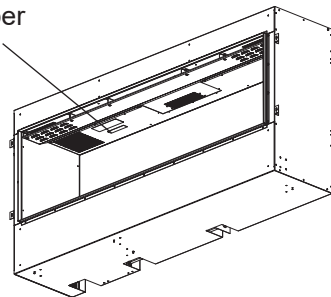
⚡ WARNING: Procedures and techniques which, if not carefully followed, will expose the user to the risk of fire, serious injury, or death.

Welcome & Congratulations

Thank you and congratulations for purchasing an Opti-myst Pro Box Heater from Dimplex. Please use our convenient online registration page to record your model and serial numbers for future reference at

www.dimplex.com/register

Model Number
and Serial
Number




**Please carefully
read and save these
instructions.**

⚠ CAUTION: Read all instructions and warnings carefully before starting installation. Failure to follow these instructions may result in a possible electric shock, fire hazard and will void the warranty.

STOP NO NEED TO RETURN TO THE STORE

Questions with operation or assembly? Require Parts Information?
Product Under Manufacturer's Warranty?

Contact us at:  **www.dimplex.com/customer_support**
For Troubleshooting and Technical Support


OR  **Toll-Free 1-888-346-7539**

In order to better serve you, please have your model and serial number ready or register your product online before calling (See above)

IMPORTANT INSTRUCTIONS

When using electrical appliances, basic precautions should always be followed to reduce the risk of fire, electric shock, and injury to persons, including the following:

- ① Read all instructions before using the heater.
- ② The heater is hot when in use. To avoid burns, do not let bare skin touch hot surfaces. The surface around the heater outlet becomes hot during heater operation.

 **DANGER:** High temperatures may be generated under certain abnormal conditions. Do not partially or fully cover or obstruct the front of this heater.

- ③ Extreme caution is necessary when any heater is used by or near children or invalids and whenever the unit is left operating and unattended.
- ④ Do not operate any heater after it malfunctions. Disconnect power at the service panel and have the heater inspected by a reputable electrician before reusing.

- ⑤ Do not operate any unit with a damaged cord or if the heater has malfunctioned, or if the heater has been dropped or damaged in any manner, contact Glen Dimplex Americas Technical Service at 1-888-346-7539.
- ⑥ Do not use outdoors.
- ⑦ Never locate heater over a bathtub or other water container.
- ⑧ To disconnect the unit, turn the controls OFF, disconnect power at the service panel.
- ⑨ Do not insert or allow foreign objects to enter any ventilation or exhaust opening as this may cause an electric shock or fire, or damage to the heater.
- ⑩ To prevent a possible fire, do not block air intake or exhaust in any manner.
- ⑪ All electrical heaters have hot and arcing or sparking parts inside. Do not use in areas where gasoline, paint, or flammable liquids are used or stored.

IMPORTANT INSTRUCTIONS

- ⑫ Do not modify the heater. Use it only as described in this manual. Any other use not recommended by the manufacturer may cause fire, electric shock or injury to persons.
- ⑬ Always use a certified electrician should new circuits or outlets be required.
- ⑭ Always use properly grounded, fused and polarized outlets.
- ⑮ Disconnect all power supply before performing any cleaning, maintenance or relocation of the unit.
- ⑯ When transporting or storing the unit, keep in a dry place, free from excessive vibration and store so as to avoid damage.

! NOTE: Changes or modifications not expressly approved by the party responsible for compliance could void user's authority to operate the equipment.

For Bathroom Use

If this unit is installed in a bathroom it must be protected by a GFI receptacle or circuit. If receptacle is used it must be readily accessible.

To prevent electrical shock this unit is an electrical appliance that is not watertight and must be installed as to prevent water from entering unit. This must be installed away from showers, tubs, etc. Never locate fireplace where it may fall into a bathtub or other water container.



CAUTION
RISK OF ELECTRIC SHOCK
DO NOT OPEN
NO USER-SERVICEABLE PARTS INSIDE



SAVE THESE INSTRUCTIONS

Installation

⚠ WARNING: ANY INSTALLATION AND SERVICE WORK SHOULD BE PERFORMED BY QUALIFIED AND AUTHORIZED PERSONNEL. ALL INSTALLATIONS MUST COMPLY WITH ALL LOCAL CODES AND BY-LAWS, AND INSPECTED AND APPROVED FOR OPERATION BY LOCAL GOVERNING AUTHORITY PRIOR TO USE.

⚠ WARNING: Construction and electrical wiring must comply with local building codes and other applicable regulations to reduce the risk of fire, electric shock and injury to persons.

Opti-myst Cassette

The Opti-myst Pro Box Heater works exclusively with the Opti-myst Cassette (CDFI1000-PRO and CDFI500-PRO). Controls for the heater are found on the CDFI500-PRO cassette.

New Construction

When determining a location for the Opti-myst® Pro Box Heater, ensure that the unit will not be susceptible to drafts, vents, ceiling fans and other air currents. Similar to a candle, large movements of air will affect the unit's ability to create and maintain the flame effect.

Hardwire Installation

The Opti-myst Pro Box Heater is supplied in an assembled state and is designed to be permanently installed. The unit comes ready for hardwire installation.

⚠ WARNING: Do not attempt to wire your own new outlets or circuits. To reduce the risk of fire, electric shock or injury to persons, always use a licensed electrician.

! NOTE: Please read all instructions before installing.

1. For rough in framing, the opening should follow the recommended dimensions located in Figure 1.

! NOTE: Dimensions provided are minimum clearances and will vary depending on type of support framing and finishing options.

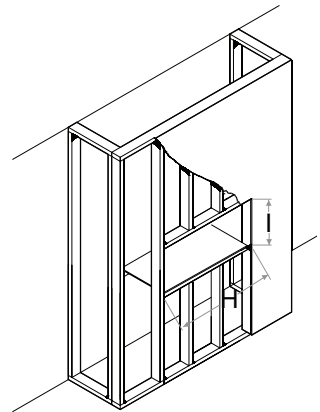
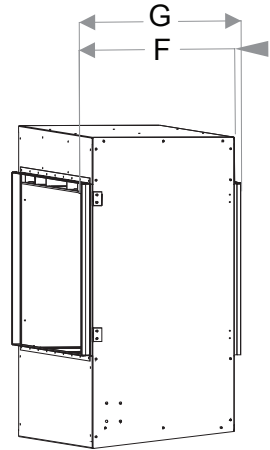
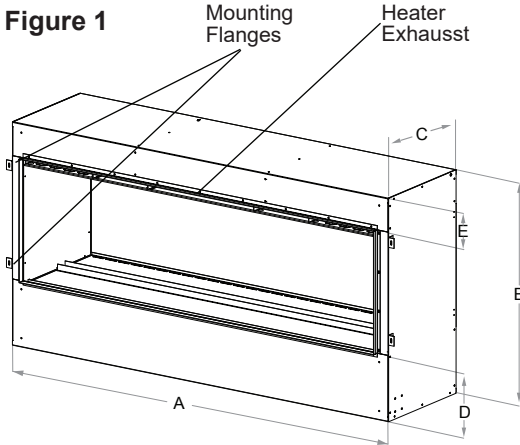
! NOTE: Framing should be constructed to support 160 lbs (73 kg)

⚠ WARNING: To reduce the risk of fire, do not store or use gasoline or other flammable vapours or liquids in the vicinity of the unit.

Installation

- Allow at least 4 ft. (122 cm) of service cable for connecting a power supply wire to the Opti-myst Cassette when installing before finishing wall.

! NOTE: A 15 amp, 120 volt alternating current (VAC) circuit is required. A dedicated circuit is preferred but not essential in all cases. A dedicated circuit will be required if, after installation, the circuit breaker trips or the fuse blows on a regular basis when the heater is operating. Additional appliances on the same circuit may exceed the current rating of the circuit breaker.



! NOTE: Use minimum 14 AWG supply cable with two insulated copper conductors (white and black) and one bare ground wire.

	A	B	C	D	E	F	G	H	I
CDFI-BX1500	65" (165 cm)	31.75" (80.5 cm)	14.7" (37.3 cm)	9.5" (24 cm)	4.8" (12.2 cm)	15.5" (39.3 cm)	16.2" (41.2 cm)	65.4" (166.2 cm)	32.3" (82 cm)

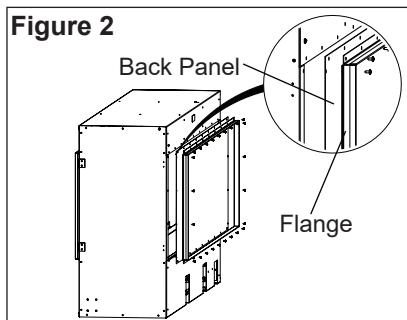
Installation

Do not use cable with aluminum conductors.

! NOTE: It is recommended that all drywall installation and finishing be completed after unit is fully installed.

3. The Opti-myst Pro Box Heater can be installed as a one-sided or two-sided unit. The unit comes assembled in the one-sided configuration. The four flanges on the back can be removed if there is not enough depth in the framing to properly fit the unit. For two-sided installation, remove the flanges so that the back panel can be removed. Replace the flanges. (Figure 2)

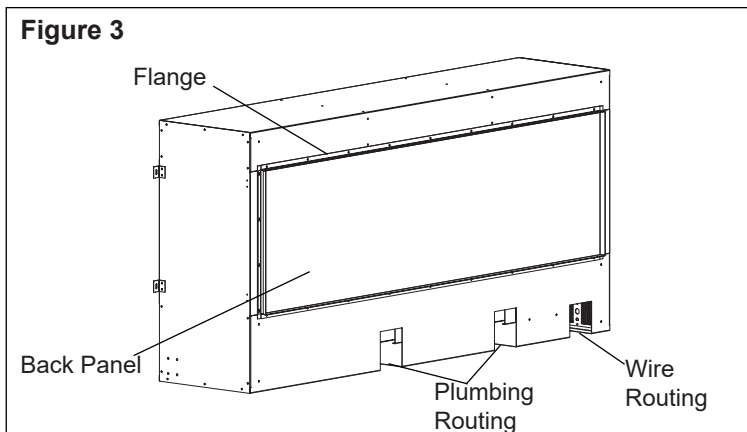
! NOTE: The heater only exhausts from one direction. Note this direction when installing in a two-sided configuration.



⚠ CAUTION: When inserting the unit take care not to damage or pinch any of the power cables that are concealed in the wall.

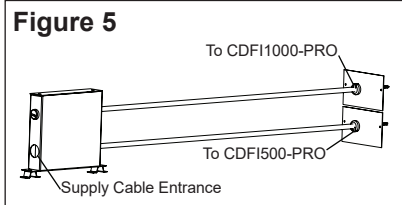
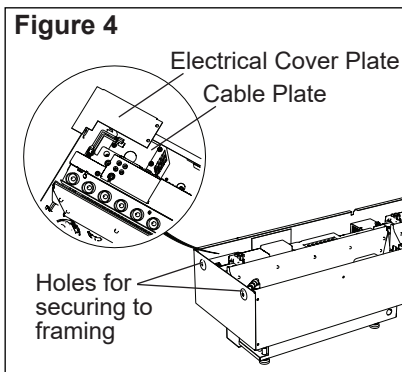
4. Mount the Opti-myst Pro Box Heater to the framing with the mounting brackets using appropriate screws for the application. (Figure 1)
5. Feed the wire through the opening on the back left of the Opti-myst Pro Box Heater (Figure 3). Remove the outer jacket and strip the individual conductors $\frac{1}{2}$ in. (1.3 cm) from the end.
6. Do not remove cardboard backing from the Opti-myst Pro Box Heater until the Opti-myst Cassette is installed. This will help prevent scratches and damage to the sides of the Opti-myst Pro Box Heater.
7. Follow the installation instructions provided with the Opti-myst Cassettes to install within the Opti-myst Pro Box Heater. Use the provided screws to fasten the cassettes to the Opti-myst Pro Box Heater through the holes in the cassette. (Figure 4)

Installation



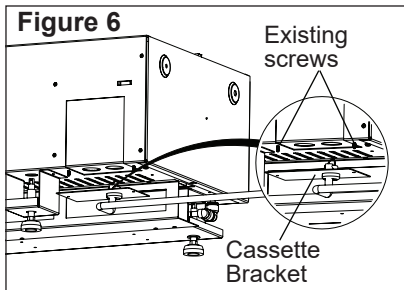
8. In the back left corner of the Opti-myst Cassettes, locate and remove the electrical cover plate by removing the two securing screws. (Figure 4)
9. Remove the top of the junction box using the 2 screws. On the left side, install the power supply cable through a cable connector (not included) suitable for a 7/8" (22mm) hole. (Figure 5)

⚠ CAUTION: Use two conductor, non-metallic sheath cable with ground wire (3 wires total) for the incoming power supply on the cassette and junction box. Use appropriate wire to meet local and national electrical codes for rated power.



Installation

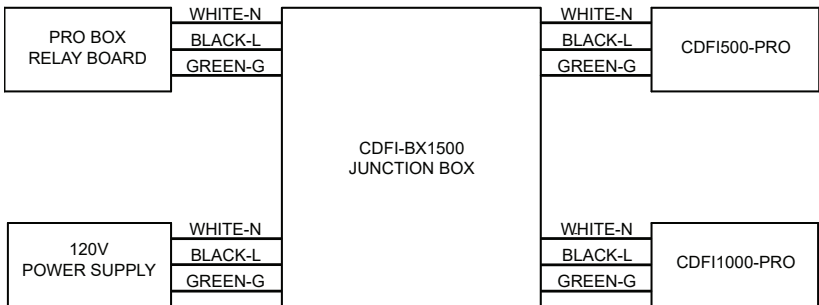
10. Using the existing screws from the Opti-Myst cassettes, attach one of the cords from the junction box to the CDFI500-Pro, and the other to the CDFI1000-Pro using the brackets provided. (Figure 6)



11. Within the junction box connect the black wires (live) from the Opti-Myst cassettes and the Opti-Myst Pro Box Heater to the live from the power supply. Then within each cassette, connect the black wires from the junction box to the live from the Opti-Myst Cassette. (Figure 7)

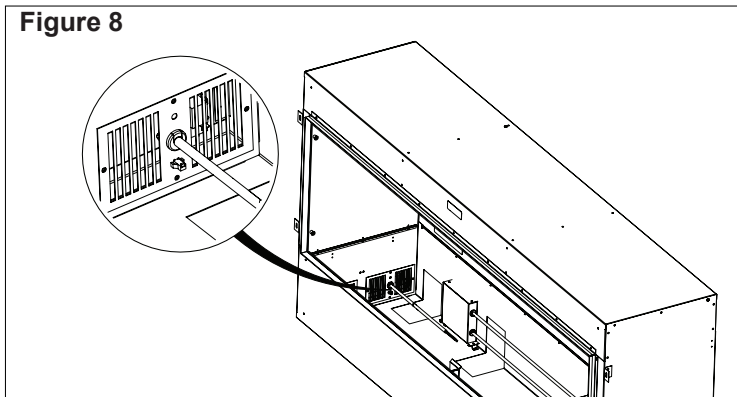
12. Within the junction box connect the white wires (neutral) from the Opti-Myst cassettes and the Opti-Myst Pro Box Heater to the neutral from the power supply. Then within each cassette, connect the white wires from the junction box to the neutral from the Opti-Myst Cassette. (Figure 7)

Figure 7



Installation

13. Within the junction box connect the green wires (ground) from the Opti-Myst cassettes and the Opti-Myst Pro Box Heater to the ground from the power supply. Then within each cassette, connect the green wires from the junction box to the ground from the Opti-Myst Cassette. (Figure 7)
- ⚠ CAUTION:** Ensure the wire connectors are securely tightened, so no bare wires (live or neutral) are exposed.
14. Place all connections inside the junction box and resecure the top.
15. Place all cassette connections inside the Opti-Myst cassettes and secure the electrical cover plates.
16. Connect the 2 pin connector from the CDFI500-Pro Opti-Myst cassette to the Opti-Myst Pro Box Heater. (Figure 8)



Operation

The heater can be controlled by remote, or the tethered controller through the Opti-myst Cassette. Please refer to cassette User's Guide for details.

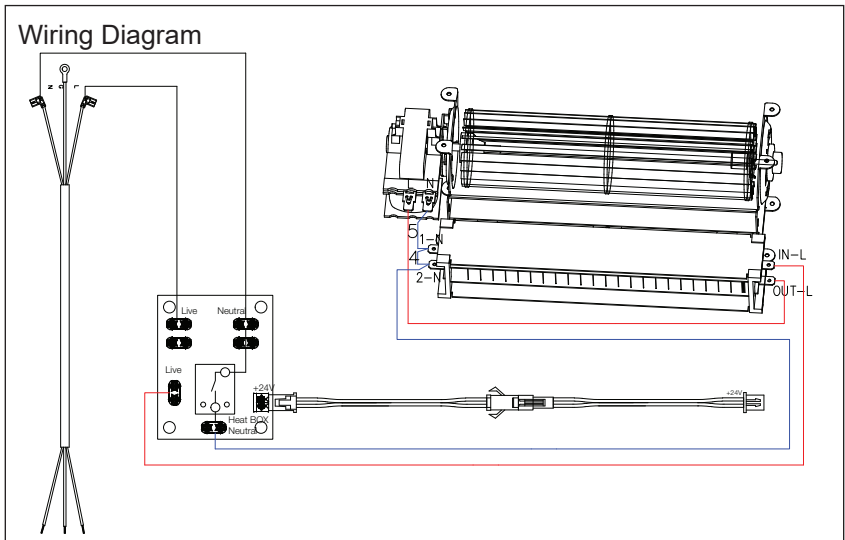
! NOTE: The Opti-myst Pro Box Heater cannot be operated independently from the Opti-myst Cassette.

Resetting the Temperature Cutoff Switch

Should the heater overheat, an automatic switch will turn the heater off and it will not come back on without being reset. The

temperature cutoff switch can be reset by disconnecting power to the unit, waiting 5 minutes and reconnecting power to the unit.

! CAUTION: If you need to continuously reset the heater, disconnect power to the unit and call Glen Dimplex Americas at 1-888-346-7539 for technical support. Please have your model and serial number ready when calling.





Maintenance

Opti-myst Pro Box Heater Surface Cleaning

To remove fingerprints or other marks, the exterior finish can be cleaned with a damp cloth with a mild detergent. The surface should be completely dried with a lint free cloth to prevent water spots.

! NOTE: The heater should not be operated with an accumulation of dust or dirt on or in the unit, as this can cause a build up of heat and eventual damage. For this reason the heater must be inspected regularly, depending upon conditions and at least at yearly intervals.

Servicing

Except for installation and cleaning described in this manual, an authorized service representative should perform any other servicing.



Warranty

2 YEAR LIMITED WARRANTY

Products to which this limited warranty applies

This limited warranty applies to your newly purchased Dimplex heater. This limited warranty applies only to purchases made in any province of Canada except for Yukon Territory, Nunavut, or Northwest Territories or in any of the 50 States of the USA (and the District of Columbia) except for Hawaii and Alaska. This limited warranty applies to the original purchaser of the Product only and is not transferable.

Products excluded from this limited warranty

Products purchased in Yukon Territory, Nunavut, Northwest Territories, Hawaii, or Alaska are not covered by this limited warranty. Products purchased in these States, provinces, or territories are sold AS IS without warranty or condition of any kind (including, without limitation, any implied warranties or conditions of merchantability or fitness for a particular purpose) and the entire risk of as to the quality and performance of the products is with the purchaser, and in the event of a defect the purchaser assumes the entire cost of all necessary servicing or repair.

What this limited warranty covers and for how long

Products covered by this limited warranty have been tested and inspected prior to shipment and, subject to the provisions of this warranty, Glen Dimplex Americas Ltd. (herein called Glen Dimplex Americas) warrants such products to be free from defects in material and workmanship in respect of the heater components of the Product for a period of 24 months from the date of the first purchase of the Product.

This limited warranty period also applies to any implied warranties that may exist

under applicable law. Some jurisdictions do not allow limitations on how long an implied warranty lasts, so the above limitation may not apply to the purchaser.

What this limited warranty does not cover

This limited warranty does not apply to Products that have been repaired (except by Glen Dimplex Americas or its authorized service representatives) or otherwise altered. This limited warranty does further not apply to defects resulting from misuse, abuse, accident, neglect, incorrect installation, improper maintenance or handling, operation with an incorrect power source, fire or other circumstance outside of Glen Dimplex Americas' control including, without limitation, an Act of God.

What you must do to get service under this limited warranty

Defects must be brought to the attention of Glen Dimplex Americas Technical Service by contacting 1-888-346-7539. Please have proof of purchase, catalogue/model and serial numbers available when calling. Limited warranty service requires a proof of purchase of the Product.

What Glen Dimplex Americas will do in the event of a defect

In the event the Product or part covered by this limited warranty is proven to be defective in material or workmanship during, in the One Year Warranty period, as applicable, you have the following rights:

- Glen Dimplex Americas will in its sole discretion either repair or replace such defective Product or part without charge. If Glen Dimplex Americas is unable to repair or replace the Product or part, or if repair or replacement is not commercially practicable or cannot be timely made, Glen Dimplex Americas



Warranty

may, in lieu of repair or replacement, choose to refund the purchase price for the Product or part.

- Limited warranty service will be performed solely by dealers or service agents of Glen Dimplex Americas authorized to provide limited warranty services.
- For products other than surrounds (mantels) and trims, this 2 year limited warranty entitles the purchaser to on-site or in-home warranty services. Accordingly, Glen Dimplex Americas will be responsible for all labour and transportation associated with repairing or replacing the product or part except as follows: (i) charges which may be levied for travel costs incurred to travel to the purchaser's site where the product is located if the purchaser's site is beyond 30 miles (48 km) from the closest service depot of Glen Dimplex Americas dealer or service agent; and (ii) the purchaser is solely responsible for providing clear access to all serviceable parts of the product.
- Glen Dimplex Americas will not be responsible for, and the limited warranty services shall not include, any expense incurred for installation or removal of the Product or part (or any replacement Product or part) or any labour or transportation costs. Such costs shall be the purchaser's responsibility.

What Glen Dimplex Americas and its dealers and service agents are also not responsible for:

IN NO EVENT WILL GLEN DIMPLEX AMERICAS, OR ITS DIRECTORS, OFFICERS, OR AGENTS, BE LIABLE TO THE PURCHASER OR ANY THIRD PARTY, WHETHER IN CONTRACT, IN TORT, OR ON ANY OTHER BASIS, FOR ANY INDIRECT, SPECIAL, PUNITIVE,

EXEMPLARY, CONSEQUENTIAL, OR INCIDENTAL LOSS, COST, OR DAMAGE ARISING OUT OF OR IN CONNECTION WITH THE SALE, MAINTENANCE, USE, OR INABILITY TO USE THE PRODUCT, EVEN IF GLEN DIMPLEX AMERICAS OR ITS DIRECTORS, OFFICERS, OR AGENTS HAVE BEEN ADVISED OF THE POSSIBILITY OF SUCH LOSSES, COSTS OR DAMAGES, OR IF SUCH LOSSES, COSTS, OR DAMAGES ARE FORESEEABLE. IN NO EVENT WILL GLEN DIMPLEX AMERICAS, OR ITS OFFICERS, DIRECTORS, OR AGENTS BE LIABLE FOR ANY DIRECT LOSSES, COSTS, OR DAMAGES THAT EXCEED THE PURCHASE PRICE OF THE PRODUCT.

SOME JURISDICTIONS DO NOT ALLOW THE EXCLUSION OR LIMITATION OF INCIDENTAL OR CONSEQUENTIAL DAMAGES, SO THE ABOVE LIMITATION OR EXCLUSION MAY NOT APPLY TO THE PURCHASER.

How State and Provincial law apply

This limited warranty gives you specific legal rights, and you may also have other rights which vary from jurisdiction to jurisdiction. The provisions of the United Nations Convention on Contracts for the Sale of Goods shall not apply to this limited warranty or the sale of Product covered by this limited warranty.



Technical Support

Technical and troubleshooting support, as well as a list of replacement parts can be found on

www.dimplex.com/customer_support

1-888-346-7539 | www.dimplex.com

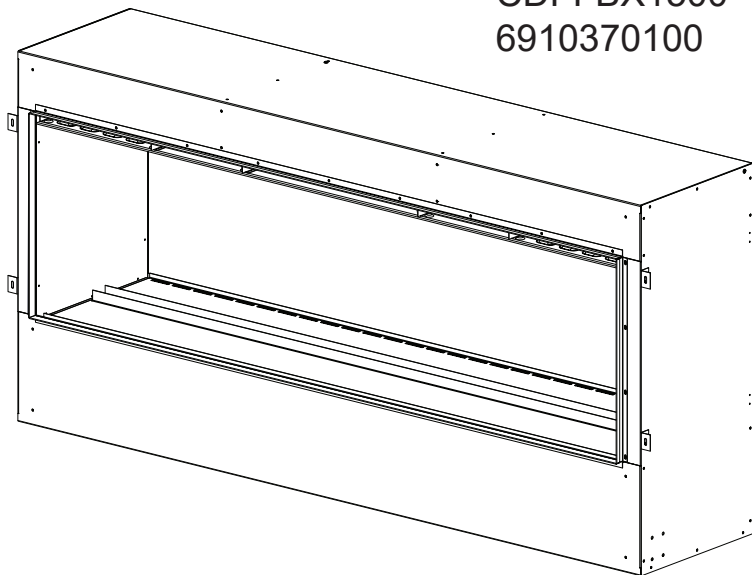
In keeping with our policy of continuous product improvement, we reserve the right to make changes without notice.

GlenDimplex 
AMERICAS
Enhancing the moments that matter in life

© 2019 Glen Dimplex Americas

Manuel du propriétaire

Modèle
CDFI-BX1500
6910370100



CONSIGNES DE SÉCURITÉ IMPORTANTES : Toujours lire le présent manuel avant d'essayer d'installer ou d'utiliser l'appareil de chauffage Opti-myst^{MD} Pro Box. Pour votre sécurité, toujours respecter tous les avertissements et suivre les consignes de sécurité compris dans le présent manuel afin de prévenir les blessures ou les dommages matériels.

Pour découvrir la gamme complète de produits Dimplex, visitez www.dimplex.com/fr



Table des matières

 Bienvenue et félicitations	3
 Instructions importantes	4
 Installation	6
 Utilisation	12
 Entretien	13
 Garantie	14
 Service d'assistance technique	16

Toujours recourir aux services d'un technicien qualifié ou d'une entreprise de services d'entretien pour faire réparer cet appareil.

! NOTE : Marches à suivre et techniques considérées suffisamment importantes pour qu'on les souligne.

⚠ MISE EN GARDE : Marches à suivre et techniques dont le non-respect pourrait causer des dommages matériels.

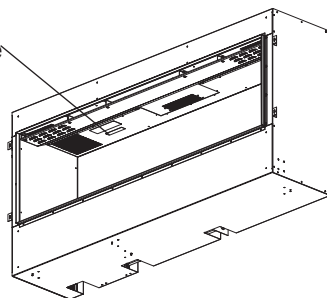
⚠ AVERTISSEMENT : Marches à suivre et techniques qui, si elles ne sont pas bien respectées, exposeront l'utilisateur à des risques d'incendie, de blessure grave ou de décès.

Bienvenue et félicitations

Merci et félicitations pour l'achat d'un appareil de chauffage Opti-myst Pro Box de Dimplex. Veuillez utiliser notre page d'inscription en ligne pour inscrire votre modèle et vos numéros de série à des fins de référence ultérieure à l'adresse

www.dimplex.com/register

Numéros de
modèle et de
série.



**Veuillez lire
ces consignes
attentivement et les
conserver.**

⚠ MISE EN GARDE : Lire attentivement toutes les consignes et tous les avertissements avant de procéder à l'installation. Le non-respect de ces consignes pourrait entraîner un risque de décharge électrique ou d'incendie et annulera la garantie.




IL N'EST PAS NÉCESSAIRE D'ALLER AU MAGASIN

Des questions à propos de l'utilisation ou du montage? Besoin d'information sur les pièces? Besoin d'information à propos d'un produit sous une garantie du fabricant?

Communiquer avec nous au :  **www.dimplex.com/fr/contact_us**


Pour le dépannage et le Service d'assistance technique

OU  **Sans frais au 1 888 346-7539**

Afin que nous puissions mieux vous servir, veuillez avoir votre modèle et votre numéro de série à portée de main ou veuillez inscrire votre produit en ligne avant de téléphoner (voir ci-dessus).

INSTRUCTIONS IMPORTANTES

Lorsqu'un appareil électrique est utilisé, il est important de toujours prendre des précautions de base pour réduire les risques d'incendie, de décharges électriques et de blessures, notamment :

- ① Lire toutes les instructions avant d'utiliser l'appareil de chauffage.
 - ② L'appareil de chauffage devient chaud lorsqu'il est en marche. Pour éviter les brûlures, ne pas toucher les surfaces chaudes. La surface autour de la bouche de chaleur devient chaude lorsque l'appareil de chauffage fonctionne.
-  **DANGER** : Dans certaines conditions, des températures anormalement élevées peuvent être générées. Ne pas couvrir ni obstruer partiellement ou complètement la partie frontale de cet appareil de chauffage.
- ③ Faire preuve d'une grande prudence lorsque l'appareil de chauffage est utilisé par des enfants ou des personnes handicapées, s'il est en marche à proximité d'eux, ou s'il est en marche et laissé sans surveillance.
 - ④ Ne pas utiliser un appareil de chauffage après une défaillance. Interrompre le courant au tableau de commande et faire inspecter l'appareil de chauffage par un électricien qualifié avant de le réutiliser.
 - ⑤ Ne pas se servir de l'appareil si le cordon est endommagé, si l'appareil fonctionne mal ou si l'appareil de chauffage est tombé ou est endommagé de quelque manière que ce soit. Communiquer avec le service technique au 1 888 346-7539.
 - ⑥ Ne pas utiliser à l'extérieur.
 - ⑦ Ne jamais placer l'appareil de chauffage au-dessus d'une baignoire ou d'un autre contenant d'eau.
 - ⑧ Pour débrancher l'appareil, l'éteindre, puis couper le courant à la boîte électrique.
 - ⑨ Ne pas introduire ou permettre l'introduction de corps étrangers dans la prise d'air de ventilation ou la bouche de sortie d'air, car cela peut occasionner des décharges électriques, provoquer un incendie ou endommager l'appareil.
 - ⑩ Pour éviter un incendie, n'obstruer l'entrée ou la sortie d'air d'aucune façon.
 - ⑪ Tous les appareils de chauffage électriques contiennent des pièces qui chauffent et produisent un arc électrique ou des étincelles. Ne pas faire fonctionner l'appareil dans des endroits où de l'essence, de la peinture ou des liquides inflammables sont utilisés ou entreposés.

INSTRUCTIONS IMPORTANTES

- ⑫ Ne pas apporter de modifications à l'appareil de chauffage. Se servir de l'appareil de chauffage uniquement de la façon décrite dans le présent manuel. Toute autre utilisation non recommandée par le fabricant peut causer un incendie, des décharges électriques ou des blessures.
- ⑬ Toujours faire appel à un électricien certifié pour l'installation de nouveaux circuits ou de nouvelles prises de courant.
- ⑭ Toujours utiliser des prises correctement mises à la terre, polarisées et protégées par un fusible ou un disjoncteur.
- ⑮ Fermer toute source d'alimentation électrique de l'appareil de chauffage avant de le nettoyer, de le réparer ou de le déplacer.
- ⑯ Pendant le transport ou l'entreposage de l'appareil, le conserver dans un endroit sec et à l'abri de vibrations excessives, et le ranger de façon à éviter qu'il ne s'endommage.

! NOTE: Les changements ou les modifications n'ayant pas fait l'objet d'une approbation expresse de la partie responsable de la conformité auront pour effet d'annuler le droit d'utilisation de l'appareil par l'utilisateur.

Installation dans une salle de bain

Si l'appareil est installé dans une salle de bain, il doit être protégé par une prise à disjoncteur de fuite à la terre. Si une prise de courant est utilisée, elle doit être facilement accessible.

Pour prévenir tout risque de chocs électriques, cet appareil électrique non étanche à l'eau doit être installé de façon à éviter que de l'eau s'y infiltre. Cet appareil doit être installé loin de la douche, du bain, etc. Ne jamais installer l'appareil à un endroit où il est susceptible de tomber dans une baignoire ou dans tout autre réservoir d'eau.



MISE EN GARDE

RISQUE DE DÉCHARGE ÉLECTRIQUE
NE PAS OUVRIR

AUCUNE PIÈCE DONT L'ENTRETIEN PEUT ÊTRE
EFFECTUÉ PAR L'UTILISATEUR NE SE TROUVE À L'INTÉRIEUR



CONSERVER CES INSTRUCTIONS

⚠ AVERTISSEMENT : LES TRAVAUX D'INSTALLATION ET D'ENTRETIEN DOIVENT ÊTRE EXÉCUTÉS PAR DU PERSONNEL QUALIFIÉ ET AUTORISÉ. TOUTES LES INSTALLATIONS DOIVENT ÊTRE EFFECTUÉES CONFORMÉMENT AUX CODES ET AUX RÉGLEMENTS LOCAUX, ET INSPECTÉES ET APPROUVÉES PAR L'AUTORITÉ DE RÉGLEMENTATION LOCALE AVANT L'UTILISATION.

⚠ AVERTISSEMENT : Afin de réduire les risques d'incendie, de décharges électriques et de blessures, tous les travaux d'installation et de câblage électrique doivent être conformes aux codes du bâtiment et aux autres règlements applicables.

Cassette Opti-myst

L'appareil de chauffage Opti-myst Pro Box fonctionne exclusivement avec les cassettes Opti-myst (CDFI1000-PRO et CDFI500-PRO). Les commandes de l'appareil de chauffage se trouvent sur la cassette CDFI500-PRO.

Nouvelle installation

Au moment de déterminer un emplacement pour l'appareil de chauffage Opti-myst^{MD} Pro Box, s'assurer que l'appareil ne sera pas exposé à des courants d'air, à des événements, à des ventilateurs de plafond ni à d'autres déplacements d'air. Comme pour une chandelle, des déplacements importants d'air nuisent à la capacité de l'appareil à créer et à maintenir l'effet de flamme.

Installation câblée

L'appareil de chauffage Opti-myst Pro Box est fourni assemblé et conçu pour une installation permanente. L'appareil est livré pour une installation câblée.

⚠ AVERTISSEMENT : Ne pas tenter d'installer soi-même de nouvelles prises ni de nouveaux circuits électriques. Pour minimiser les risques d'incendie, de décharges électriques et de blessures, toujours faire appel à un électricien qualifié.

! NOTE : Lire toutes les instructions avant d'installer l'appareil.

1. Dans le cas d'une installation avec cadre, l'ouverture doit respecter les dimensions recommandées à la Figure 1.

Installation

! NOTE : Les dimensions indiquées sont les dégagements minimums et varient en fonction du type de cadrage et des options de finition.

! NOTE : Le cadrage doit être construit pour supporter un poids de 160 lb (73 kg)

⚠ AVERTISSEMENT : Afin de réduire les risques d'incendie, éviter de conserver ou d'utiliser de l'essence ou d'autres gaz et liquides inflammables à proximité de l'appareil.

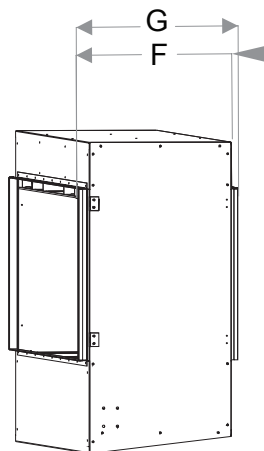
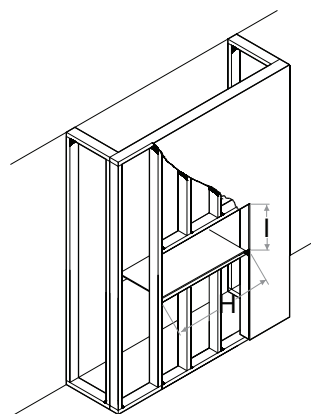
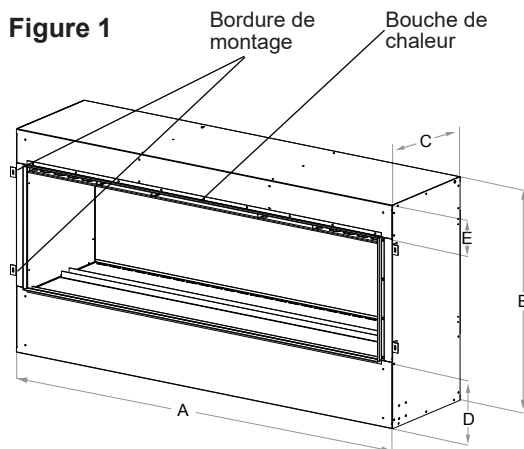


Figure 1



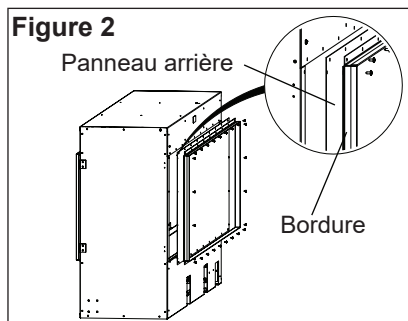
! NOTE : Utiliser un câble d'alimentation d'un calibre AWG minimal de 14 avec deux conducteurs en cuivre isolés (blanc et noir) et un fil de terre nu.

	A	B	C	D	E	F	G	H	I
CDFI-BX1500	65 po (165 cm)	31,75 po (80,5 cm)	14,7 po (37,3 cm)	9,5 po (24 cm)	4,8 po (12,2 cm)	15,5 po (39,3 cm)	16,2 po (41,2 cm)	65,4 po (166,2 cm)	32,3 po (82 cm)

Installation

- Lors de l'installation, allouer au moins 4 pi (122 cm) de câble permettant le branchement de la source d'alimentation électrique à la cassette Opti-myst avant la finition du mur.

! NOTE : Un circuit de 15 ampères et de 120 volts c.a. est requis. Un circuit spécialisé est préférable, mais pas essentiel dans tous les cas. Un circuit spécialisé sera nécessaire si, après l'installation, le disjoncteur se déclenche ou si le fusible saute régulièrement pendant le fonctionnement de l'appareil de chauffage. L'ajout d'appareils sur le même circuit risque d'excéder la puissance nominale du disjoncteur.
is operating. Additional appliances on the same circuit may exceed the current rating of the circuit breaker.



Ne pas utiliser de câble à conducteurs en aluminium.

! NOTE : Il est recommandé de poser les cloisons sèches et les options de finition une fois que l'installation de l'appareil est entièrement terminée.

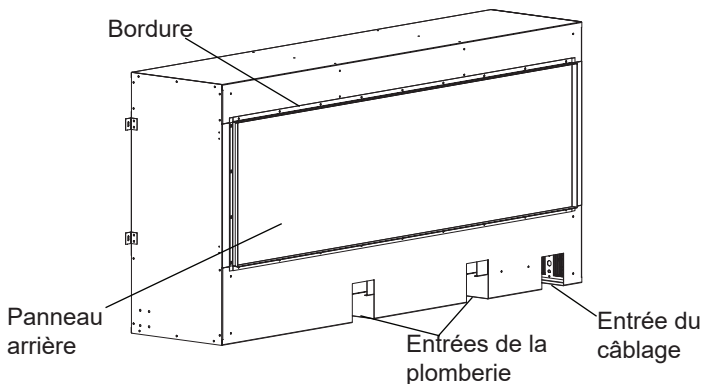
- L'appareil de chauffage Opti-myst Pro Box peut être installé pour une visualisation d'un seul côté ou des deux côtés. L'appareil arrive prêt à installer pour une visualisation d'un côté. Si le cadrage n'est pas suffisamment profond pour les accueillir, les 4 bordures du panneau arrière peuvent être retirées. Pour une visualisation des deux côtés, retirer les bordures afin que le panneau arrière puisse s'enlever. Remettre ensuite les bordures. (Figure 2)

! NOTE : L'appareil de chauffage ne diffuse la chaleur que dans une seule direction. Prendre note de cette direction lors de l'installation pour visualisation des deux côtés.

⚠ MISE EN GARDE : Veiller à ne pas endommager ou coincer les câbles d'alimentation dissimulés dans le mur.

- Monter l'appareil de chauffage Opti-myst Pro Box dans le cadre en utilisant les supports de montage et à l'aide des vis appropriées (Figure 1).

Figure 3



5. Passer le câble à travers l'ouverture pratiquée dans la partie arrière gauche de l'appareil de chauffage Opti-myst Pro Box. (Figure 3) Retirer la gaine extérieure et dénuder les conducteurs individuels sur une longueur de 1,2 po (1,3 cm) à partir de l'extrémité.
6. Ne pas retirer le panneau en carton de l'appareil de chauffage Opti-myst Pro Box avant que les cassettes Opti-myst ne soit installées. Cela aidera à éviter les rayures et les dommages sur les côtés de l'appareil de chauffage Opti-myst Pro Box.
7. Suivre les instructions d'installation fournies avec les cassettes Opti-myst pour installer ces dernières dans l'appareil de chauffage Opti-myst Pro Box. Insérer les vis fournies dans les trous des

Figure 4

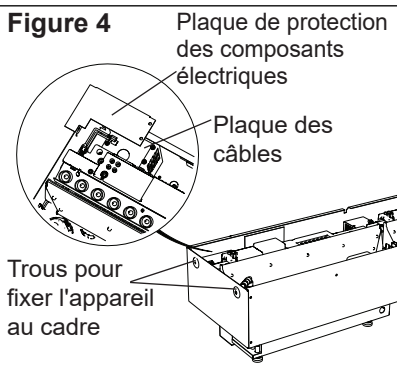
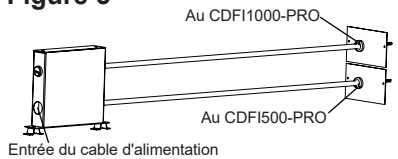


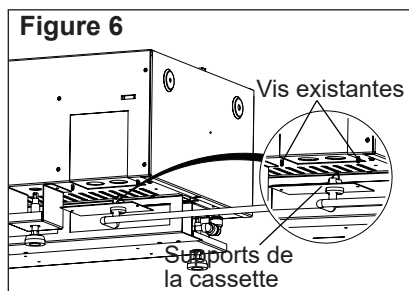
Figure 5



Installation

cassettes pour fixer ces dernières à l'appareil de chauffage Opti-myst Pro Box. (Figure 4)

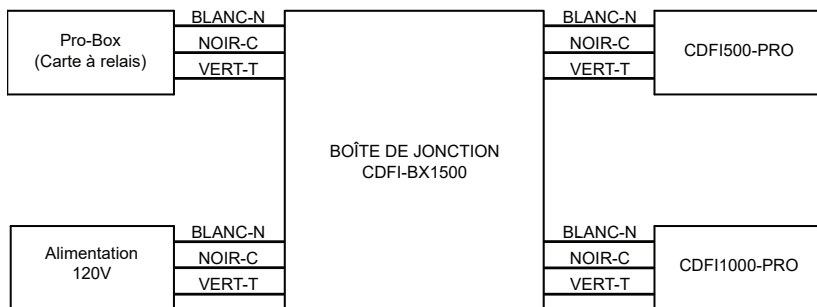
8. Dans la partie arrière gauche des cassettes Opti-myst, repérer et retirer la plaque de protection des composants électriques en enlevant les deux vis de fixation. (Figure 4)



9. Retirer le couvert de la boîte de jonction en enlevant les deux vis de fixation de chaque côté. Sur le côté gauche, installer le câble d'alimentation à travers un connecteur de câble (non inclus) adapté pour le montage dans un trou de 7/8 po (22 mm) de diamètre. (Figure 5)

⚠ MISE EN GARDE : Utiliser un câble à 2 conducteurs doté d'une gaine non métallique et un fil de mise à la terre (3 fils en tout) pour alimenter les cassettes et la boîte de jonction. Utiliser le câblage approprié conforme aux codes de l'électricité locaux et nationaux en ce qui a trait à la puissance nominale.

Figure 7



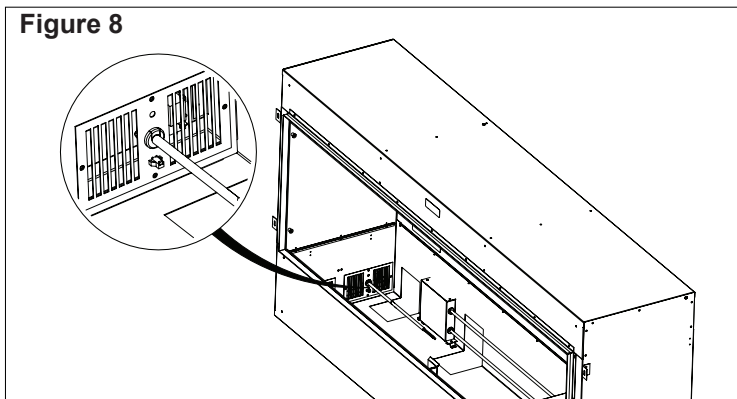
Installation

10. En utilisant les vis existantes, attacher un des câbles de la boîte de jonction à la cassette CDFI500-PRO, et l'autre à la cassette CDFI1000-PRO, en utilisant les supports fournis. (Figure 6)
11. Dans la boîte de jonction, connecter les fils noirs (conducteurs) des cassettes Opti-myst et de l'appareil de chauffage Opti-myst Pro Box au conducteur de la source d'alimentation. (Figure 7)
12. Dans la boîte de jonction, connecter les fils blancs (neutres) des cassettes Opti-myst et de l'appareil de chauffage Opti-myst Pro Box au neutre de la source d'alimentation. (Figure 7)
13. Dans la boîte de jonction, connecter les fils verts (terre) des cassettes Opti-myst et de l'appareil de chauffage Opti-myst Pro Box au fils de mise à terre de la source d'alimentation. (Figure 7)
14. Placer tous les connecteurs à l'intérieur de la boîte de jonction et fixer le couvercle de celle-ci.
15. Placer tous les connecteurs des cassettes à l'intérieur de celles-ci et replacer plaque de protection des composants électriques.
16. Brancher le connecteur à 2 broches de la cassette Opti-myst CDFI500-PRO à l'appareil de chauffage Opti-myst Pro Box. (Figure 8)



MISE EN GARDE : S'assurer que les capuchons de connexion sont solidement serrés, de sorte qu'aucun fil nu (conducteur ou neutre) ne soit exposé.

Figure 8



Utilisation

L'appareil de chauffage peut être réglé par télécommande, ou à l'aide du dispositif de commande intégré de la cassette Opti-myst. Consulter le guide d'utilisation de la cassette pour obtenir plus de détails.

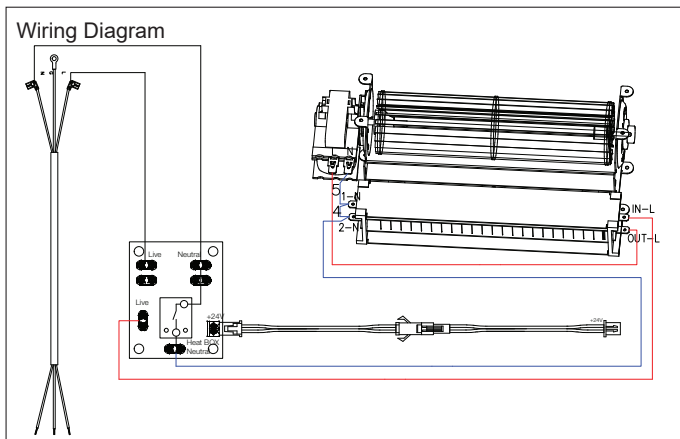
! NOTE : L'appareil de chauffage Opti-myst Pro Box ne peut pas être utilisé indépendamment de la cassette Opti-myst.

Réarmement du disjoncteur du circuit de la température

En cas de surchauffe, un interrupteur éteindra automatiquement l'appareil, qui ne pourra être remis en

marche tant que le disjoncteur n'aura pas été réarmé. Pour réarmer le disjoncteur du circuit de la température, il faut débrancher l'appareil de la source d'alimentation et attendre 5 minutes avant de le rebrancher.

⚠ MISE EN GARDE : S'il est nécessaire de réinitialiser constamment l'appareil de chauffage, le débrancher de la source d'alimentation et communiquer avec le service d'assistance technique au 1 800 346-7539 pour obtenir un service d'assistance technique. Veiller à avoir en main les numéros de modèle et de série de l'appareil.





Entretien

Nettoyage des surfaces de l'appareil de chauffage Opti-myst Pro Box

Pour enlever les empreintes digitales ou autres marques, nettoyer la finition extérieure avec un chiffon humide et un détergent doux. Pour prévenir les taches d'eau, la surface doit être entièrement asséchée à l'aide d'un chiffon non pelucheux.

Entretien

Tout type d'entretien autre que l'installation et le nettoyage décrits dans le présent manuel doit être effectué par un représentant de service autorisé.

! NOTE : L'appareil de chauffage ne doit pas fonctionner si de la poussière ou de la saleté se sont accumulées sur l'appareil. Cela pourrait entraîner une accumulation de chaleur qui pourrait à son tour causer des dommages. Pour cette raison, l'appareil de chauffage doit être inspecté régulièrement, selon ses conditions d'utilisation, et au moins une fois par année.



Garantie

GARANTIE LIMITÉE DE 2 ANS

Produits couverts par la présente garantie limitée

La présente garantie limitée couvre votre nouvel appareil de chauffage Glen Dimplex Americas. La présente garantie limitée ne s'applique qu'aux achats effectués dans l'une des provinces du Canada, à l'exception du Yukon, du Nunavut et des Territoires du Nord-Ouest, ou dans l'un des 50 États américains (incluant le district fédéral de Columbia), à l'exception d'Hawaï et de l'Alaska. La présente garantie limitée est valable seulement pour l'acheteur original du produit et ne peut être transférée.

Produits non couverts par la présente garantie

Les produits achetés au Yukon, au Nunavut, dans les Territoires du Nord-Ouest, à Hawaï ou en Alaska ne sont pas couverts par la présente garantie limitée. Les produits achetés dans ces États, provinces ou territoires sont vendus TELS QUELS sans aucune garantie ni condition (y compris, notamment, toute garantie ou condition implicite de qualité marchande ou de convenance à un usage particulier), et l'acheteur doit assumer tous les risques relatifs à la qualité et au rendement des produits. En cas de défectuosité, tous les frais d'entretien et de réparation incombent à l'acheteur.

Couverture et durée de la présente garantie limitée

Les produits couverts par la présente garantie limitée ont été testés et inspectés avant l'envoi. Conformément aux dispositions de la présente garantie, Glen Dimplex Americas Ltd. (appelée aux présentes Glen Dimplex Americas) garantit que les composants de l'appareil de chauffage sont exempts de tout vice de matériau et de fabrication pour une période de 24 mois à partir de la date d'achat du produit.

La présente garantie limitée s'applique également à toute garantie implicite pouvant exister en vertu des lois en vigueur. Certaines

juridictions ne permettent pas de restreindre la durée d'une garantie implicite, de sorte qu'il est possible que la restriction ci-dessus ne s'applique pas à l'acheteur.

Exclusions de la présente garantie limitée

La présente garantie limitée ne couvre pas les produits qui ont été réparés (sauf par Glen Dimplex Americas ou ses représentants de service autorisés) ou autrement modifiés. Elle ne couvre pas non plus les défectuosités résultant d'un mauvais usage, d'un usage abusif, d'un accident, de négligence, d'une mauvaise installation, d'une manipulation ou d'un entretien inadéquat, de l'utilisation avec une source de courant inadéquate, d'un incendie ou de tout autre événement hors du contrôle de Glen Dimplex Americas, incluant, sans toutefois s'y limiter, les cas de force majeure.

Ce que vous devez faire pour vous prévaloir du service dans le cadre de la présente garantie limitée

Les défectuosités doivent être signalées au Service technique de Glen Dimplex Americas, par téléphone au 1 888 346-7539. Au moment d'appeler Glen Dimplex Americas, veuillez avoir à portée de la main une preuve d'achat, ainsi que les numéros de catalogue, de modèle et de série du produit défectueux. Vous devez avoir une preuve d'achat du produit pour vous prévaloir du service dans le cadre de la garantie limitée.

Ce que fera Glen Dimplex Americas en cas de défectuosité

S'il s'avère que le produit ou qu'une pièce du produit couvert par cette garantie limitée présente effectivement un vice de matériau ou de fabrication pendant la garantie d'un an, selon le cas, vous aurez alors les droits suivants :

- Glen Dimplex Americas pourra, à sa seule discrétion, réparer ou remplacer sans frais la pièce ou le produit défectueux. Si Glen Dimplex Americas est incapable de réparer



Garantie

ou de remplacer la pièce ou le produit, ou si la réparation ou le remplacement n'est pas commercialement possible, ou ne peut être fait rapidement, Glen Dimplex Americas pourra, au lieu d'effectuer la réparation ou le remplacement, décider de rembourser le prix d'achat de la pièce ou du produit.

- Le service sous garantie limitée sera dispensé uniquement par des dépositaires ou agents de service de Glen Dimplex Americas autorisés à dispenser des services sous garantie limitée.
- Pour les produits autres que les manteaux et les garnitures, cette garantie limitée de deux ans donne droit à l'acheteur à des services sous garantie sur place ou à domicile. Par conséquent, Glen Dimplex Americas assumera tous les frais de main-d'œuvre et de transport liés à la réparation ou au remplacement du produit ou de la pièce, sauf pour ce qui suit : (i) des frais pourraient être facturés pour les coûts engagés pour se rendre au site de l'acheteur où le produit se trouve, si ce site est à plus de 30 milles (48 km) du centre de service le plus près d'un dépositaire ou d'un agent de service de Glen Dimplex Americas; et (ii) l'acheteur est entièrement responsable de dégager l'accès à toutes les pièces du produit susceptibles d'être réparées ou entretenues.
- Glen Dimplex Americas n'est pas responsable des frais encourus pour l'installation ou le retrait du produit ou de la pièce (ou de tout produit ou de toute pièce de rechange) ni des frais de main-d'œuvre et de transport, et la présente garantie limitée ne les couvre pas non plus. Ces frais sont la responsabilité de l'acheteur.

Autres exclusions à la responsabilité de Glen Dimplex Americas et de ses dépositaires et agents de service :

GLEN DIMPLEX AMERICAS, SES ADMINISTRATEURS, SES GESTIONNAIRES OU SES AGENTS NE POURRONT EN

AUCUN CAS ÊTRE TENUS RESPONSABLES ENVERS L'ACHETEUR OU TOUTE AUTRE TIERCE PARTIE, EN VERTU D'UN CONTRAT, DU DROIT DE LA RESPONSABILITÉ CIVILE DÉLICTUELLE OU SUR TOUTE AUTRE BASE, DE COÛTS, DE PERTES OU DE DOMMAGES INDIRECTS, SPÉCIAUX, PUNITIFS, EXEMPLAIRES OU ACCESSOIRES DÉCOULANT DIRECTEMENT OU INDIRECTEMENT DE LA VENTE, DE L'ENTRETIEN, DE L'UTILISATION OU DE L'INCAPACITÉ D'UTILISATION DU PRODUIT, MÊME SI GLEN DIMPLEX AMERICAS, SES GESTIONNAIRES, SES ADMINISTRATEURS OU SES AGENTS ONT ÉTÉ INFORMÉS DE LA POSSIBILITÉ DE TELS COÛTS, PERTES OU DOMMAGES, OU SI LESDITS COÛTS, PERTES OU DOMMAGES SONT PRÉVISIBLES. GLEN DIMPLEX AMERICAS, SES GESTIONNAIRES, SES ADMINISTRATEURS OU SES AGENTS NE POURRONT EN AUCUN CAS ÊTRE TENUS RESPONSABLES DE COÛTS, DE PERTES OU DE DOMMAGES DIRECTS QUI DÉPASSENT LE PRIX D'ACHAT DU PRODUIT.

CERTAINES JURIDICTIONS NE PERMETTENT PAS QUE DES EXCLUSIONS OU LIMITATIONS AUX DOMMAGES INDIRECTS OU ACCESSOIRES SOIENT APPLIQUÉES. IL SE POURRAIT DONC QUE LES EXCLUSIONS ET LIMITATIONS CI-DESSUS NE S'APPLIQUENT PAS À L'ACHETEUR.

Comment les lois provinciales et d'État s'appliquent

Cette garantie limitée vous confère des droits juridiques précis, et il se peut que vous ayez d'autres droits qui varient d'une juridiction à une autre. Les dispositions de la Convention des Nations Unies sur les contrats de vente de biens ne s'appliquent pas à cette garantie limitée ou à la vente du produit couvert par la présente garantie limitée.



Service d'assistance technique

Vous trouverez du soutien technique et des instructions de dépannage, ainsi qu'une liste de pièces de rechange à www.dimplex.com/fr/customer_support

1 888 346-7539 | www.dimplex.com

Dans le cadre de notre politique d'amélioration continue de nos produits, nous nous réservons le droit de modifier les spécifications sans préavis.

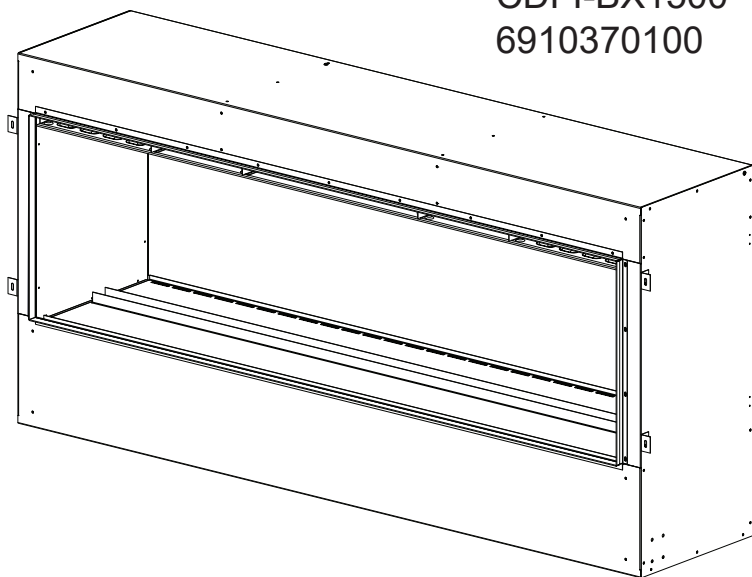
GlenDimplex
AMERICAS
Améliorer les moments qui comptent le plus dans la vie

© 2019 Glen Dimplex Americas



Manual del propietario

Modelo
CDFI-BX1500
6910370100










INFORMACIÓN IMPORTANTE DE SEGURIDAD: Siempre lea este manual antes de intentar instalar o usar el calentador Pro Box de Opti-myst®. Por su seguridad, siempre respete todas las advertencias e instrucciones de seguridad que se incluyen en este manual para evitar lesiones físicas o daños a su propiedad.

Para ver la lista completa de productos Dimplex, visite www.dimplex.com.

7216190100R01



Índice

 Bienvenido y felicitaciones	3
 INSTRUCCIONES IMPORTANTES	4
 Instalación	6
 Funcionamiento	12
 Mantenimiento	13
 Garantía	14
 Servicio Técnico.	16

Siempre consulte con un técnico calificado o una agencia de servicio para reparar esta unidad.

! NOTA: Procedimientos y técnicas importantes a considerar.

⚠ PRECAUCIÓN:
Procedimientos y técnicas que, si no se respetan atentamente, terminarán por dañar el equipo.

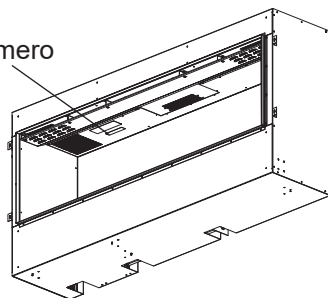
⚡ ADVERTENCIA:
Procedimientos y técnicas que, si no se respetan escrupulosamente, expondrán al usuario a un riesgo de incendio, lesiones graves o la muerte.

Bienvenido y felicitaciones

Gracias, y felicitaciones por comprar un calentador Pro Box de Opti-myst con Glen Dimplex Americas. Por favor, utilice nuestra página en línea para registrar el número de modelo y de serie para referencia futura en:

www.dimplex.com/register

Número de
modelo y número
de serie



**Lea estas
instrucciones
atentamente y
guárdelas.**

⚠ PRECAUCIÓN: Antes de comenzar la instalación asegúrese de leer las instrucciones y advertencias cuidadosamente. El incumplimiento de estas instrucciones puede causar una descarga eléctrica o crear un peligro de incendio, y anulará la garantía.



NO ES NECESARIO REGRESAR A LA TIENDA

¿Tiene preguntas sobre la operación o el montaje? ¿Necesita información sobre las piezas? ¿El producto está protegido por la garantía del fabricante?

Comuníquese con nosotros en:



www.dimplex.com/customer_support

Para solucionar problemas y recibir servicio de asistencia técnica



sin cargo al 1-888-346-7539


A fin de proporcionarle un mejor servicio, tenga a la mano el número de modelo y de serie del producto cuando llame, o regístrelos en línea. (Ver más arriba).

INSTRUCCIONES IMPORTANTES

Cuando se usen aparatos eléctricos, siempre deben seguirse las precauciones básicas para reducir el riesgo de incendio, descarga eléctrica y lesiones a las personas, que incluyen las siguientes:

① Lea todas las instrucciones antes de utilizar el calentador.

② El calentador se calienta cuando está en uso. Para evitar quemaduras, no toque las superficies calientes sin protección. La superficie alrededor del calentador se calienta durante el funcionamiento de la unidad.

 **PELIGRO:** En ciertas condiciones anormales de operación, el calentador alcanza temperaturas altas. No cubra ni total ni parcialmente el frente del calentador.

③ Tenga mayor precaución cuando utilice cualquier calentador cerca de niños o personas discapacitadas, o bien si ellos lo manejan, y siempre que se deje la unidad en funcionamiento y sin vigilancia.

④ No opere ningún calentador si no funciona correctamente. Desconecte el suministro eléctrico en el panel central y solicite los servicios de un electricista acreditado para que

revise el calentador antes de volver a utilizarlo.

⑤ No encienda la unidad si el cable está dañado o si el calentador funcionó mal, o si se cayó o se dañó de alguna manera; contacte al Servicio Técnico de Glen Dimplex Americas al 1-888-346-7539.

⑥ No utilice este aparato en exteriores.

⑦ Nunca coloque el calentador sobre una bañera u otro recipiente con agua.

⑧ Para desconectar la unidad, APAGUE los controles y desconéctela del panel de servicio.

⑨ No introduzca ni deje que entren cuerpos extraños en los orificios de ventilación o escape, ya que ello puede provocar una descarga eléctrica o un incendio, o bien ocasionar daños al calentador.

⑩ Para evitar un posible incendio, no bloquee la entrada ni la salida de aire en ningún momento.

⑪ Todos los calentadores eléctricos contienen piezas calientes que provocan chispas o arcos eléctricos. No lo utilice en zonas en las que se emplee o almacene gasolina, pintura o líquidos inflamables.

INSTRUCCIONES IMPORTANTES

- ⑫ No modifique el calentador. Utilícelo sólo como se describe en este manual. Cualquier otro uso que no haya sido recomendado por el fabricante puede provocar un incendio, una descarga eléctrica o lesiones a las personas.
- ⑬ En caso de requerirse nuevos circuitos o tomacorrientes, acuda siempre a un electricista calificado.
- ⑭ Siempre use tomacorrientes polarizados y con fusible, correctamente conectados a tierra.
- ⑮ Desconecte todo el suministro eléctrico antes de realizar cualquier tipo de limpieza, mantenimiento o reubicación de la unidad.
- ⑯ Mantenga la unidad en un lugar seco y sin vibraciones excesivas cuando la transporte o la guarde, para protegerla de cualquier daño.

! NOTA: Los cambios o las modificaciones que no hayan sido expresamente aprobados por el responsable del cumplimiento, podrían anular la autorización que el usuario tiene para utilizar dicha unidad.

Para usarse en el baño

Si instala esta unidad en el baño, deberá contar con un receptáculo o circuito con interruptor por fallo a tierra. Si usa un receptáculo, éste debe estar a la mano.

Esta unidad no es impermeable y debe instalarse de manera que no entre en contacto con agua para evitar descargas eléctricas. Debe instalarse lejos de regaderas, tinas, etc. Nunca coloque la chimenea en sitios donde pueda caer en una bañera o en otro recipiente con agua.



PRECAUCIÓN
RIESGO DE DESCARGA ELÉCTRICA
NO ABRIR
NO CONTIENE PIEZAS QUE PUEDAN SER
REPARADAS POR EL USUARIO



GUARDE ESTAS INSTRUCCIONES

⚠ ADVERTENCIA: TODA OPERACIÓN DE INSTALACIÓN Y MANTENIMIENTO DEBE SER EFECTUADA POR PERSONAL CALIFICADO Y AUTORIZADO. TODA OPERACIÓN DE INSTALACIÓN DEBE ADHERIRSE A LOS CÓDIGOS Y REGLAMENTOS LOCALES, Y LAS AUTORIDADES LOCALES CORRESPONDIENTES DEBEN INSPECCIONAR Y APROBAR EL PRODUCTO ANTES DE QUE PUEDA USARSE.

⚠ ADVERTENCIA: La construcción y el cableado eléctrico deben cumplir con las ordenanzas municipales de construcción y con las demás reglamentaciones aplicables para reducir el riesgo de incendio, descarga eléctrica y lesiones.

Casetes Opti-myst

El calentador Pro Box de Opti-myst trabaja exclusivamente con los casetes Opti-myst (CDFI500-PRO y CDFI1000-PRO). Los controles para el calentador se encuentran en el casete CDFI500-PRO.

Nueva construcción

Cuando seleccione la ubicación del calentador Pro Box de Opti-myst®, verifique que no esté expuesta a corrientes de aire, ventilas, ventiladores de techo, etc. Como

ocurre con una vela, las corrientes de aire pueden afectar la capacidad de la unidad para crear y mantener el efecto de llama.

Instalación de la conexión alámbrica

El calentador Pro Box de Opti-myst viene ensamblado y está diseñado para instalarse de forma permanente. La unidad está lista para la instalación de la conexión alámbrica.

⚠ ADVERTENCIA: No intente conectar circuitos ni tomacorrientes nuevos. Para reducir el riesgo de incendio, descarga eléctrica o lesiones, acuda siempre a un electricista certificado.

! NOTA: Lea todas las instrucciones antes de instalar la unidad.

1. Para que el marco quede oculto, el orificio debe respetar las dimensiones recomendadas que aparecen en la Figura 1.

! NOTA: Las dimensiones proporcionadas son distancias mínimas y pueden variar según el tipo de soporte, marco y acabado.

Instalación

! NOTA: El marco debe estar diseñado para soportar 160 lbs (73 kg)

⚠ ADVERTENCIA: Para reducir el riesgo de incendios, no almacene o utilice gasolina ni ningún otro vapor o líquido inflamable cerca de la unidad.

- Permita hasta 4 pies (122 cm) de cable de servicio para conectar un cable de alimentación al casete de Opti-myst, cuando éste se instale antes de realizar el acabado de la pared.

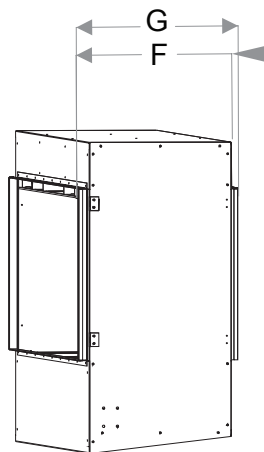
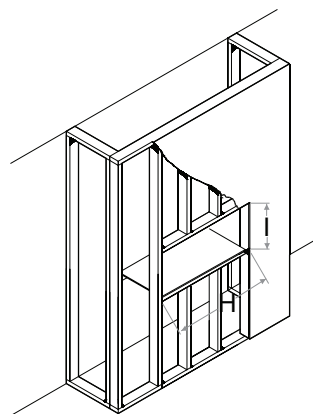
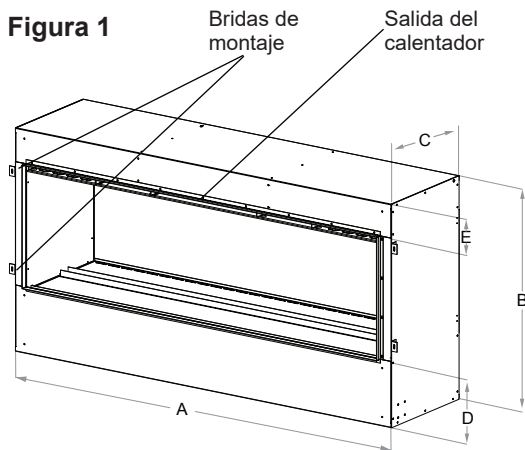


Figura 1



! NOTA: Utilice un cable de alimentación de por lo menos 14 AWG con dos conductores de cobre aislados (blanco y negro) y un cable desnudo a tierra.

	A	B	C	D	E	F	G	H	I
CDFI-BX1500	65 in (165 cm)	31.75 in (80.5 cm)	14.7 in (37.3 cm)	9.5 in (24 cm)	4.8 in (12.2 cm)	15.5 in (39.3 cm)	16.2 in (41.2 cm)	65.4 in (166.2 cm)	32.3 in (82 cm)

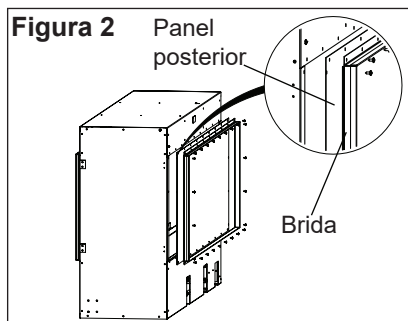
Instalación

! NOTA: Se requiere un circuito de corriente alterna (VAC) de 15 amperios y 120 voltios. Es preferible disponer de un circuito exclusivo, pero no es esencial en todos los casos. Hará falta un circuito exclusivo si, después de la instalación, el disyuntor salta o se funden los fusibles con cierta frecuencia cuando el calentador esté en funcionamiento. Si conecta otros aparatos al mismo circuito, podrían sobrepasar la capacidad nominal de corriente del disyuntor.

No utilice cables con conductores de aluminio.

! NOTA: Se recomienda terminar toda la instalación de paneles de yeso y acabados después de instalar completamente la unidad.

3. El calentador Pro Box de Opti-Myst se puede instalar como una unidad de un solo lado o de dos lados. La unidad viene

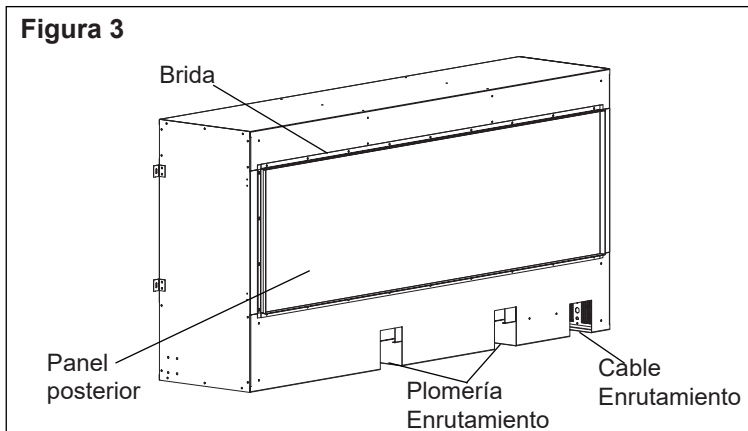


ensamblada en la configuración de un solo lado. Las cuatro bridas de la parte posterior se pueden quitar si no hay suficiente profundidad en el marco para que se ajuste correctamente a la unidad. Para la instalación de dos lados, retire las bridas para poder retirar el panel posterior. Vuelva a colocar las bridas. (Figura 2)

! NOTA: El aire del calentador sale sólo en una dirección. Tenga eso en cuenta al instalar la unidad con 2 lados.

- ! PRECAUCIÓN:** Al insertar la unidad, tenga cuidado de no dañar o pellizcar ninguno de los cables de alimentación que se esconden en la pared.
4. Monte el calentador Pro Box de Opti-myst en el marco con los soportes de pared y los tornillos adecuados para la aplicación. (Figura 1)
5. Instale el cable a través de la abertura en la parte posterior del calentador Pro Box de Opti-myst. Retire la cubierta exterior y pele los conductores individuales a $\frac{1}{2}$ pulgada (1.3 cm) del extremo.
6. No retire el protector de cartón del calentador Pro Box de Opti-myst hasta que esté instalado los casetes de Opti-myst. Esto ayudará a evitar que se rayen o dañen los lados del calentador Pro Box de Opti-myst.

Figura 3



7. Siga las instrucciones de instalación incluidas con los casetes de Opti-myst para instalar en el calentador Pro Box de Opti-myst. Utilice los tornillos que incluye la unidad para fijar los casetes al calentador Pro Box de Opti-myst a través de los agujeros en los casetes. (Figura 4)
8. En la esquina posterior izquierda de los casetes de Opti-myst, localice y retire la placa de la cubierta quitando los dos tornillos de seguridad. (Figura 4)
9. Retire la parte superior de la caja de uniones utilizando los 2 tornillos. En el lado izquierdo, instale el cable de alimentación a través de un conector de cable (no incluido) adecuado para un orificio de 7/8" (22 mm). (Figura 5)

Figura 4

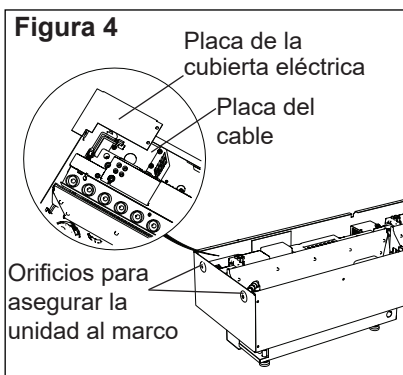
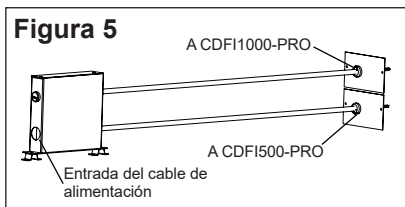


Figura 5



Instalación

⚠ PRECAUCIÓN: Utilice un cable de dos conductores de cubierta no metálica con el cable de tierra (3 cables en total) para el suministro eléctrico de entrada del casete. Utilice el cable adecuado para cumplir con los códigos municipales y nacionales de consumo de energía nominal.

10. Cómo utilizar los tornillos existentes, conecte uno de los cables de la caja de uniones al CDFI500-PRO y el otro al CDFI1000-PRO con los soportes provistos.
11. Dentro de la caja de uniones, conecte los cables negros (energía) provenientes de los casetes Opti-Myst y el calentador Pro Box de Opti-Myst al cable de energía del suministro eléctrico. Luego, dentro de cada casete, conecte los cables negros provenientes de la caja de uniones al cable de energía del casete Opti-Myst. (Figura 7)

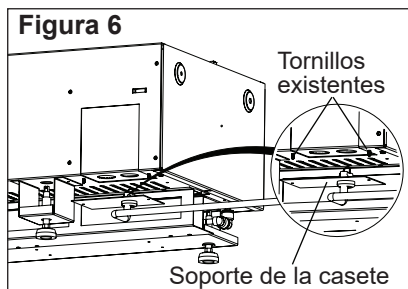
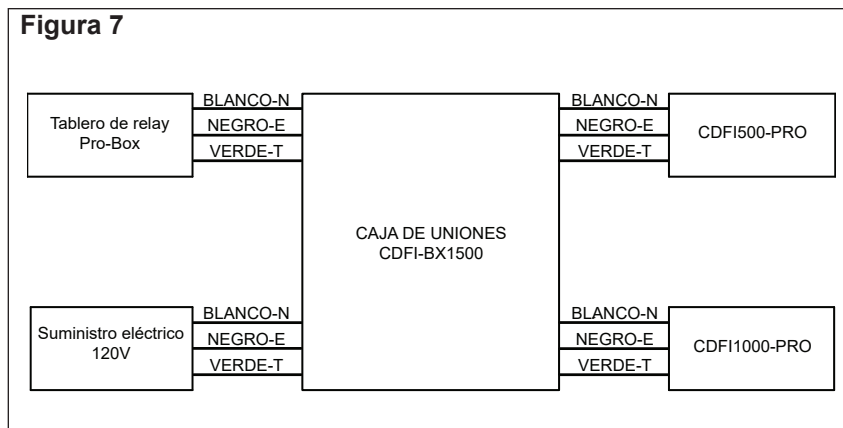


Figura 7

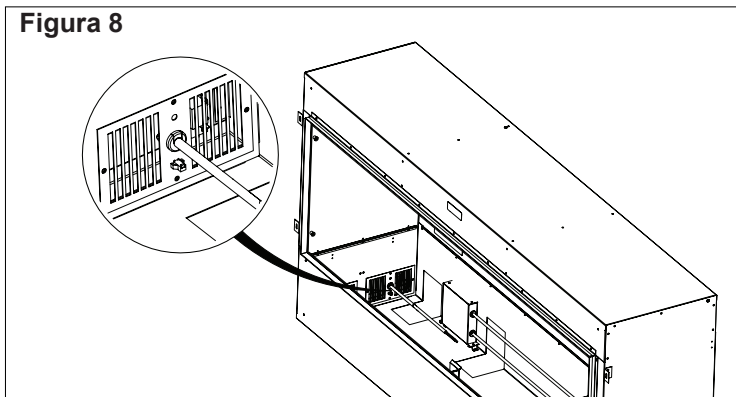


Instalación

12. Dentro de la caja de uniones, conecte los cables blancos (neutros) provenientes de los casetes Opti-Myst y el calentador Pro Box de Opti-Myst al cable neutro del suministro eléctrico. Luego, dentro de cada casete, conecte los cables blancos provenientes de la caja de uniones al cable neutro del casete Opti-Myst. (Figura 7)
13. Dentro de la caja de uniones, conecte los cables verdes (tierra) provenientes de los casetes Opti-Myst y el calentador Pro Box de Opti-Myst al cable de tierra del suministro eléctrico. Luego, dentro de cada casete, conecte los cables verdes provenientes de la caja de uniones al cable de tierra del casete Opti-Myst. (Figura 7)
14. Coloque todos los conectores dentro de los casetes Opti-myst y fije la abrazadera del cable a la unidad, asegurándose de que esté sujeta únicamente de la cubierta del cable de servicio.
15. Coloque todos los conectores dentro de la caja de uniones Opti-y fije la placa de la cubierta eléctrica.
16. Conecte el conector de 2 pines del casete Opti-myst al calentador Pro Box de Opti-myst. (Figura 8)



PRECAUCIÓN: Verifique que los conectores del cable estén asegurados firmemente, de manera que no haya cables desnudos (vivos o neutros) que queden expuestos.



🔑 Funcionamiento

El calentador puede ser controlado por control remoto o con el controlador conectado a través del casete Opti-myst. Consulte la Guía del usuario del casete para obtener más información.

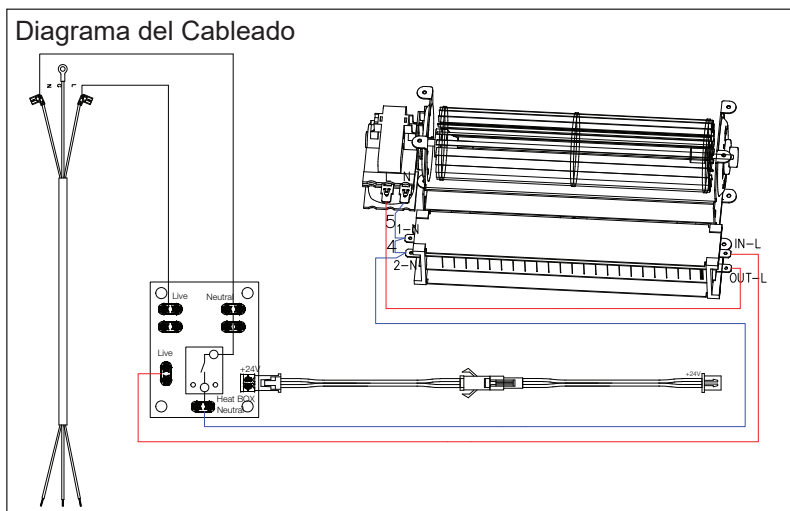
! NOTA: El calentador Pro Box de Opti-myst no puede funcionar de forma independiente del casete Opti-myst.

Reajuste del interruptor de corte de la temperatura

En caso de que el calentador se caliente, un interruptor automático

lo apagará y no se volverá a encender sin que se restablezca. Para reiniciar el interruptor de límite de temperatura, es necesario desconectar la alimentación de la unidad, esperar 5 minutos y volver a conectar la unidad.

! PRECAUCIÓN: Si es necesario reiniciar el calentador continuamente, desenchufe la unidad y llame a Glen Dimplex Americas al 1-888-346-7539 para recibir asistencia técnica. Tenga a mano el número de modelo y de serie del producto cuando llame.





Mantenimiento

Limpieza de la superficie del calentador Pro Box de Opti-myst

Para eliminar las huellas dactilares u otras marcas, el vidrio puede limpiarse con un paño húmedo y un detergente suave. La superficie deberá secarse completamente con un paño sin pelusa para evitar manchas de agua.

! NOTA: El calentador no debe ser operado si hubiera acumulación de polvo o de suciedad sobre o dentro del mismo, ya que ello puede originar una acumulación de temperatura y dañar la unidad. Por ello, debe verificar el calentador periódicamente, dependiendo de su estado y, por lo menos, una vez al año.

Servicio técnico

Con excepción de los procedimientos de instalación y limpieza descritos en este manual, un representante autorizado de servicio técnico deberá realizar cualquier otro tipo de servicio.

GARANTÍA LIMITADA DE 2 AÑOS

Productos sobre los que se aplica esta garantía limitada

Esta garantía limitada se aplica a su nueva compra, el calentador de Glen Dimplex Americas. Esta garantía limitada sólo cubre las compras realizadas en cualquier provincia de Canadá, excepto en el territorio de Yukón, Nunavut, o los Territorios del Noroeste, o en cualquiera de los 50 estados de los Estados Unidos de América (incluido el Distrito de Columbia), excepto Hawái y Alaska. Esta garantía limitada se aplica al comprador original del producto únicamente y no es transferible.

Productos excluidos de esta garantía limitada

No están cubiertos por esta garantía limitada los productos comprados en el Territorio de Yukón, Nunavut, Territorios del Noroeste, Hawái ni Alaska. Los productos adquiridos en estos Estados, provincias o territorios se venden TAL CUAL, sin garantía ni condición de ningún tipo (que incluye, sin limitación, cualquier garantía implícita o condiciones de comerciabilidad o adecuación a un fin particular), y el riesgo total respecto de la calidad y del rendimiento de los productos recae en el comprador; y en el caso de un defecto, el comprador asume todo el costo de cualquier servicio técnico o reparación necesarios.

Lo que cubre la garantía y hasta cuándo

Los productos amparados por esta garantía limitada se han sometido a pruebas e inspeccionado antes de su envío y, de acuerdo con las cláusulas de esta garantía, Glen Dimplex Americas Ltd. (Glen Dimplex Americas en el presente) garantiza que tales productos están libres de defectos de materiales y de fabricación durante un período de 2 años a contar desde la fecha de primera compra de dichos productos.

El periodo de garantía limitada se aplica también a cualquier garantía implícita que pueda existir de acuerdo con la legislación vigente aplicable. Algunas jurisdicciones no permiten limitaciones sobre la duración de la garantía implícita; por ello, la limitación antes mencionada puede que no se aplique al comprador.

Lo que esta garantía limitada no ampara

Esta garantía limitada no cubre productos reparados (salvo por Glen Dimplex Americas o sus representantes técnicos autorizados) o modificados de alguna manera. Esta garantía limitada no cubre defectos por mal uso, abuso, accidente, negligencia, instalación incorrecta, mantenimiento o manejo inadecuados, o funcionamiento con una fuente de alimentación incorrecta, fuego u otra circunstancia fuera del control de Glen Dimplex Americas incluyendo sin limitación, desastre natural.

Lo que debe hacer para solicitar el servicio en virtud de esta garantía limitada

Los defectos deben ser declarados al Servicio Técnico de Glen Dimplex Americas comunicándose con 1-888-346-7539. Tenga a mano el comprobante de compra y los números de serie, y catálogo/modelo cuando llame. El servicio de mantenimiento bajo los términos de esta garantía limitada exige un comprobante de compra del producto.

En caso de defectos, Glen Dimplex Americas procederá de la siguiente manera:

En el caso de que, durante el periodo de un año de garantía limitada, se demostrase que una pieza o un producto cubierto por esta garantía limitada tiene defectos de material o de fabricación, usted dispondrá de los siguientes derechos:

- Glen Dimplex Americas determinará, a su exclusivo criterio, si repara o reemplaza el producto o la pieza defectuosos sin cargo. Si Glen Dimplex Americas no pudiera

Garantía

reparar o reemplazar el producto o la pieza, o si la reparación o el reemplazo no es comercialmente práctico o no se puede completar en forma oportuna, Glen Dimplex Americas puede determinar que, en lugar de reparar o reemplazar el producto, reintegrará al comprador el precio de compra de dicho producto o dicha pieza.

- El servicio bajo la garantía limitada será realizado únicamente por distribuidores o agentes de servicio de Glen Dimplex Americas autorizados para proporcionar servicios bajo la garantía limitada.
- Para los elementos que rodean la chimenea (dinteles) y sus rebordes, esta garantía limitada por un período de 2 años le da derecho al comprador de tener asistencia técnica in situ o en su hogar. Respectivamente, Glen Dimplex Americas será responsable del trabajo y transporte asociado a la reparación o reemplazo del producto o parte excepto en los siguientes casos: (i) cargos que se puedan cobrar por viáticos incurridos por viajar al sitio del comprador donde se encuentre el producto, en caso de que el sitio supere las 30 millas (48 km) del almacén de servicio de su distribuidor Glen Dimplex Americas o agente de servicio; y (ii) el comprador es único responsable de proporcionar libre acceso a todas las partes que necesiten servicio del producto.
- Glen Dimplex Americas no se responsabiliza ni tampoco los términos de esta garantía limitada no incluirán los gastos en que se incurra para la instalación o el retiro del producto o la pieza (o cualquier producto o pieza de reemplazo) ni de los costos de mano de obra o transporte. Tales costos corren por cuenta del comprador.

Glen Dimplex Americas, los distribuidores y los técnicos de mantenimiento tampoco son responsables de:

EN NINGÚN CASO NI GLEN DIMPLEX AMERICAS, NI SUS DIRECTIVOS, NI SUS AGENTES SERÁN RESPONSABLES ANTE EL COMPRADOR O TERCEROS DE CUALQUIER TIPO, YA SEA CONTRACTUALMENTE, EXTRACONTRACTUALMENTE, O CON CUALQUIER OTRO CONCEPTO, DE CUALQUIER PÉRDIDA, COSTO O DAÑO INDIRECTO, ESPECIAL, PUNITIVO, EJEMPLARIZANTE, MEDIATO O INCIDENTAL, QUE SE PRODUZCA O ESTÉ RELACIONADO CON LA VENTA, MANTENIMIENTO, USO O IMPOSIBILIDAD DE USAR EL PRODUCTO, INCLUSO SI GLEN DIMPLEX AMERICAS O SUS DIRECTIVOS, RESPONSABLES O AGENTES HAN SIDO AVISADOS DE LA POSIBILIDAD DE QUE SE PRODUZCAN DICHOS DAÑOS, PÉRDIDAS O COSTOS, O SI TALES DAÑOS, PÉRDIDAS O COSTOS SON PREVISIBLES. EN NINGÚN CASO NI GLEN DIMPLEX AMERICAS, NI SUS DIRECTIVOS, O AGENTES SERÁN RESPONSABLES DE CUALQUIER DAÑO, PÉRDIDA O COSTO DIRECTO QUE SUPERE EL PRECIO DE COMPRA DEL PRODUCTO.

ALGUNAS JURISDICCIONES NO PERMITEN LA EXCLUSIÓN O LIMITACIÓN DE DAÑOS INCIDENTALES O MEDIATOS; POR ELLO PUEDE QUE LA LIMITACIÓN O EXCLUSIÓN ANTERIOR NO SEA APLICABLE AL COMPRADOR.

Aplicación de legislaciones provinciales y estatales

Esta garantía limitada le proporciona derechos legales específicos y puede que usted tenga también otros derechos que varían de una jurisdicción a otra. Las cláusulas de la convención de las Naciones Unidas sobre Contratos de Venta de Mercancías no serán aplicables a esta garantía limitada ni a la venta de productos cubiertos por esta garantía limitada.



Servicio Técnico

Para solucionar problemas y obtener ayuda técnica así como una lista de piezas de remplazo acuda a **www.dimplex.com/customer_support**.

1-888-346-7539 | www.dimplex.com

De acuerdo con nuestra política de constante perfeccionamiento del producto, nos reservamos el derecho de hacer cambios sin previo aviso.

GlenDimplex
AMERICAS
Intensificando los momentos importantes de la vida

© 2019 Glen Dimplex Americas