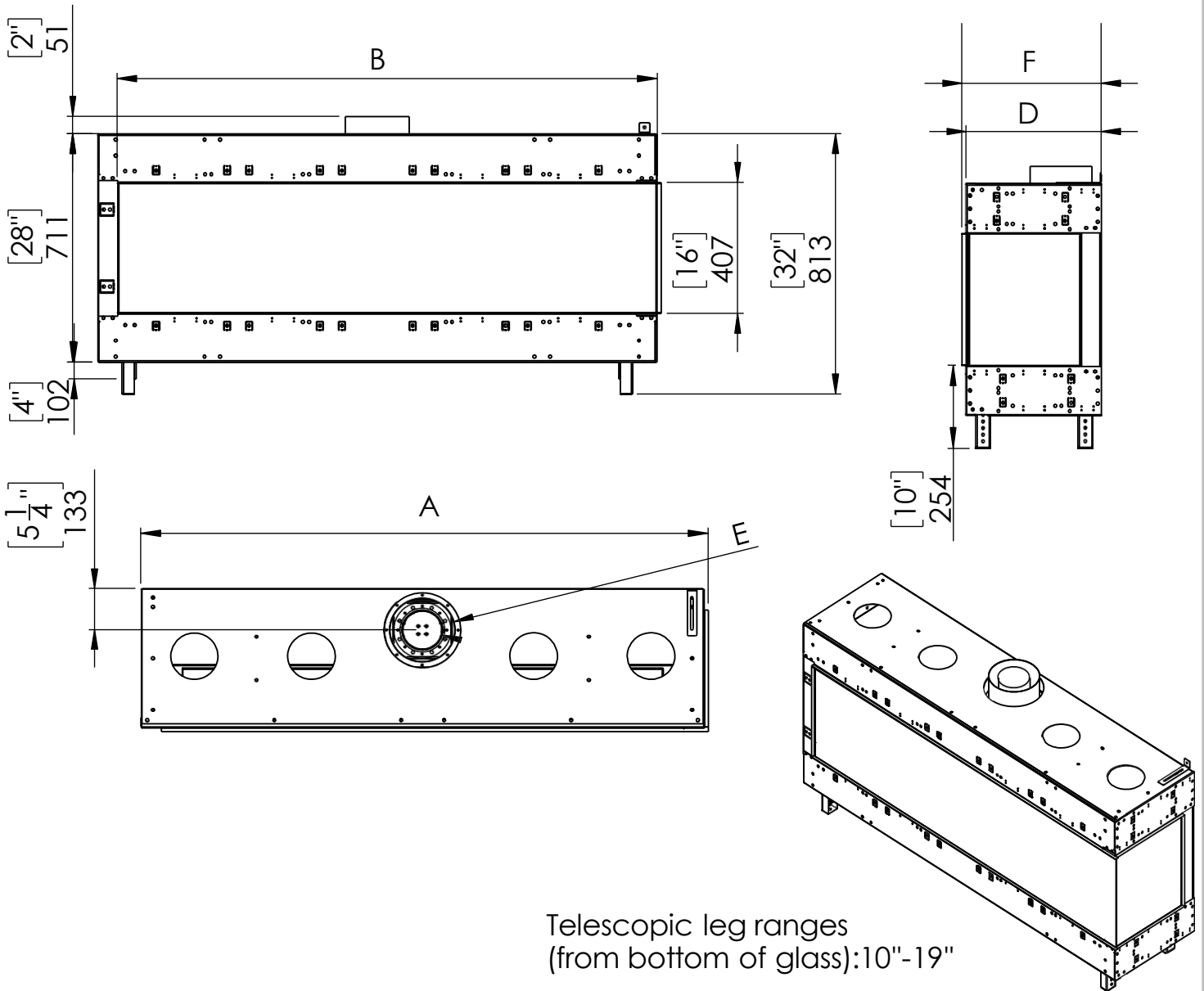
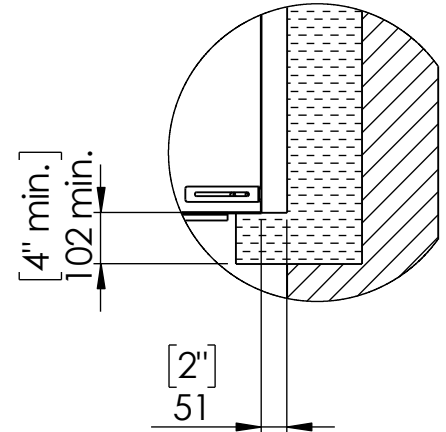
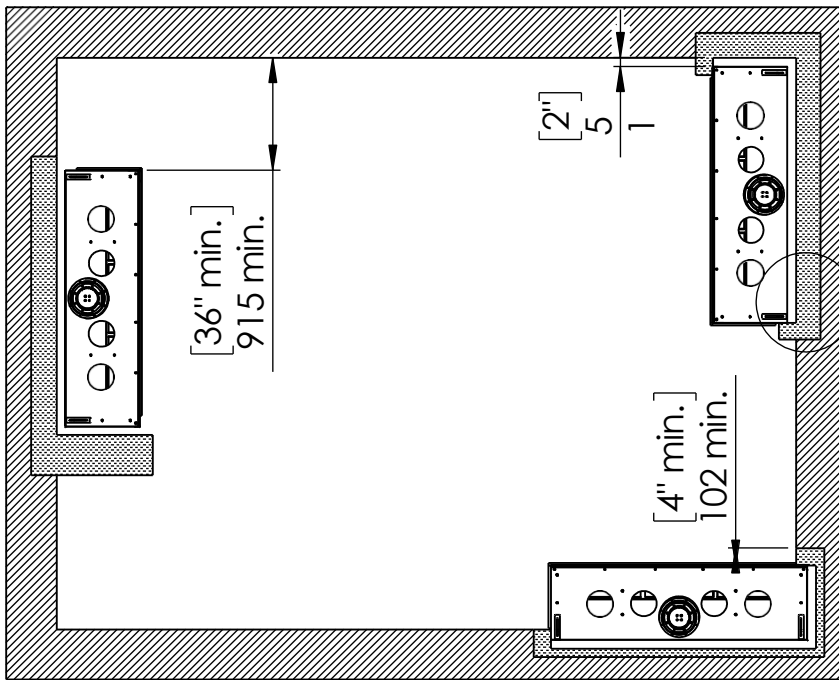


Fireplace Dimensions



Model	45	50	60	70	80	100
A- Inch	44 ² / ₁₆	50 ¹³ / ₁₆	60 ¹⁰ / ₁₆	70 ⁸ / ₁₆	83 ¹ / ₁₆	100
B- Inch	41 ⁴ / ₁₆	47 ¹⁵ / ₁₆	57 ¹¹ / ₁₆	67 ¹⁰ / ₁₆	80	97 ³ / ₁₆
F- Inch	18 ¹ / ₁₆	18 ¹ / ₁₆	18 ¹ / ₁₆	18 ¹ / ₁₆	18 ¹ / ₁₆	18 ¹ / ₁₆
D- Inch	17 ⁹ / ₁₆	17 ⁹ / ₁₆	17 ⁹ / ₁₆	17 ⁹ / ₁₆	17 ⁹ / ₁₆	17 ⁹ / ₁₆
E- Inch	4x6	5x8	5x8	5x8	5x8	5x8

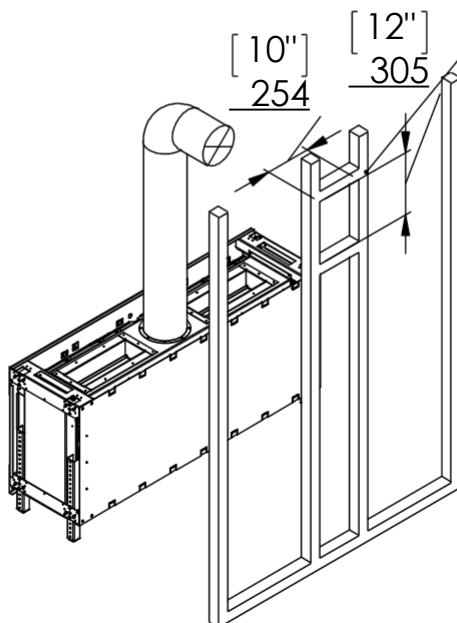


 Combustible Materials
 Non Combustible Materials

Chimney Installation

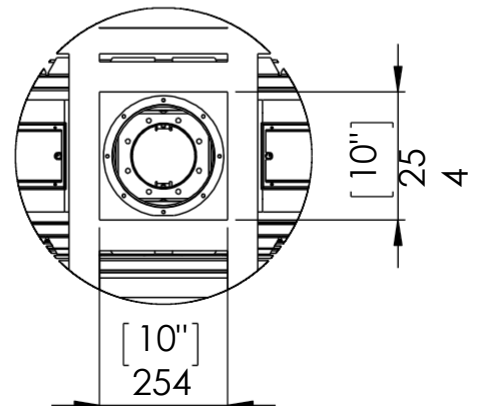
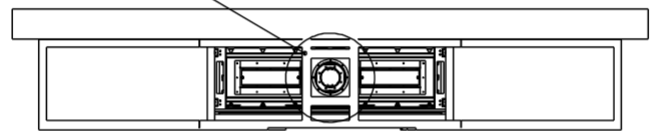
Horizontal Termination

For 5 x 8 vent size create 10" x 12" vent termination opening

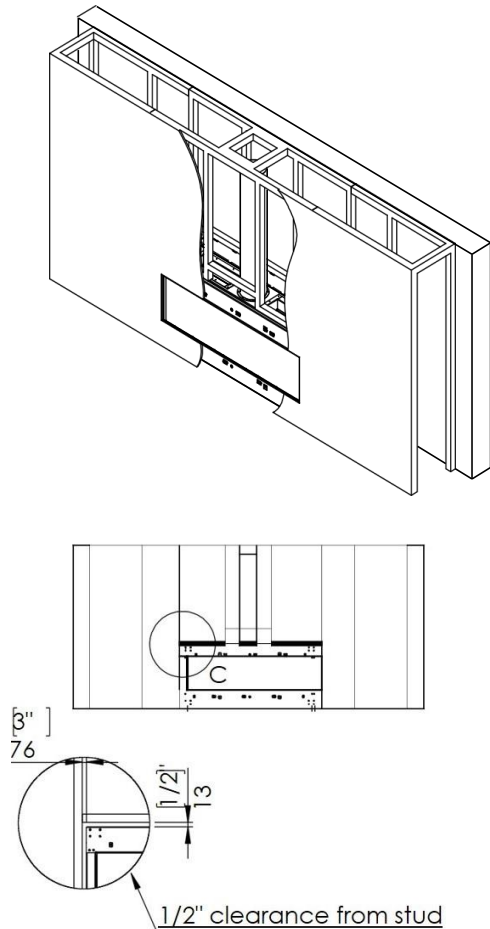


Vertical Termination

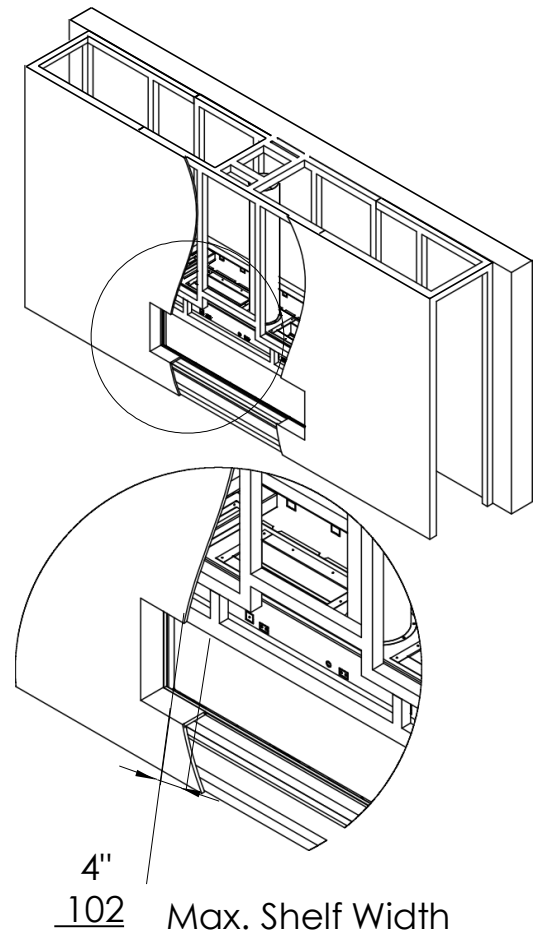
For 5 x 8 vent size create 10" x 10" vent termination opening



Flat Installation Example



L Shape Installation Example



Heat Release and Air Intakes

The following sizes MUST be maintained for the upper heat release:

For fireplaces sized 80" & 100" – vent area must be at least 200 square inches.

For fireplaces sized 60" & 70" - vent area must be at least 140 square inches.

For fireplace sized 50" and below - vent area must be at least 100 square inches.

The following sizes MUST be maintained for the lower air intake:

For fireplaces sized 80" & 100" – vent area must be at least 100 square inches.

For fireplaces sized 60" & 70" - vent area must be at least 70 square inches.

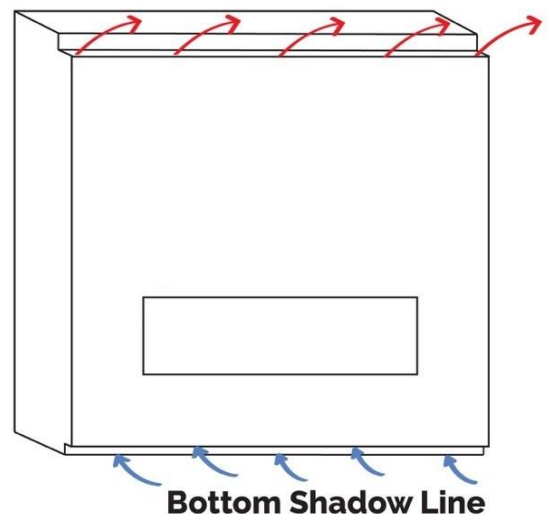
For fireplaces sized 50" and below - vent area must be at least 50 square inches.

For See Through and Room Definer fireplaces, the air intake requirements are double.

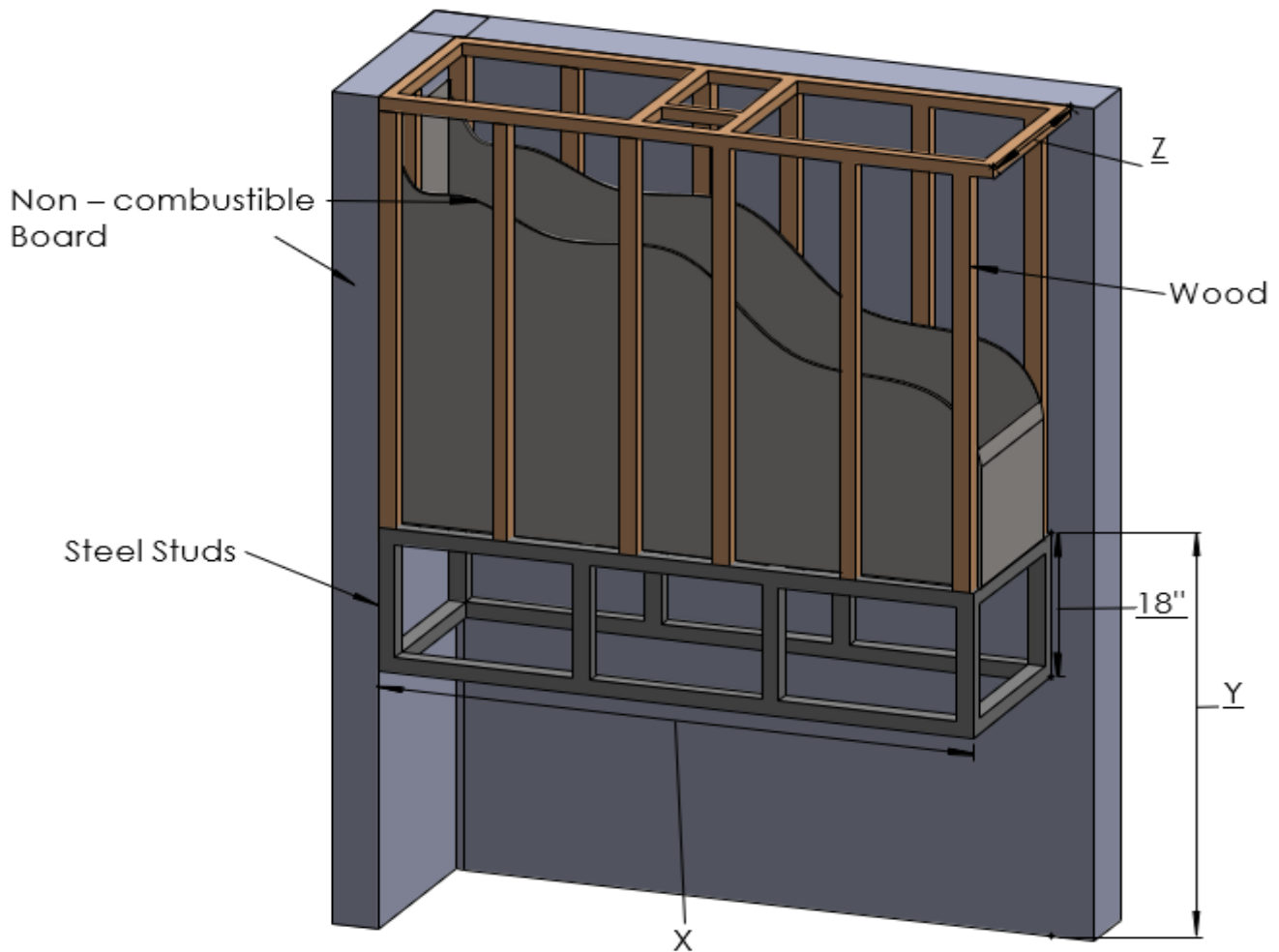
NOTE: Openings above for Heat Release and Air Intake are measured for open air space.

NOTE: On all See Through and Room Definer units the air intake must be doubled

Top Shadow Line



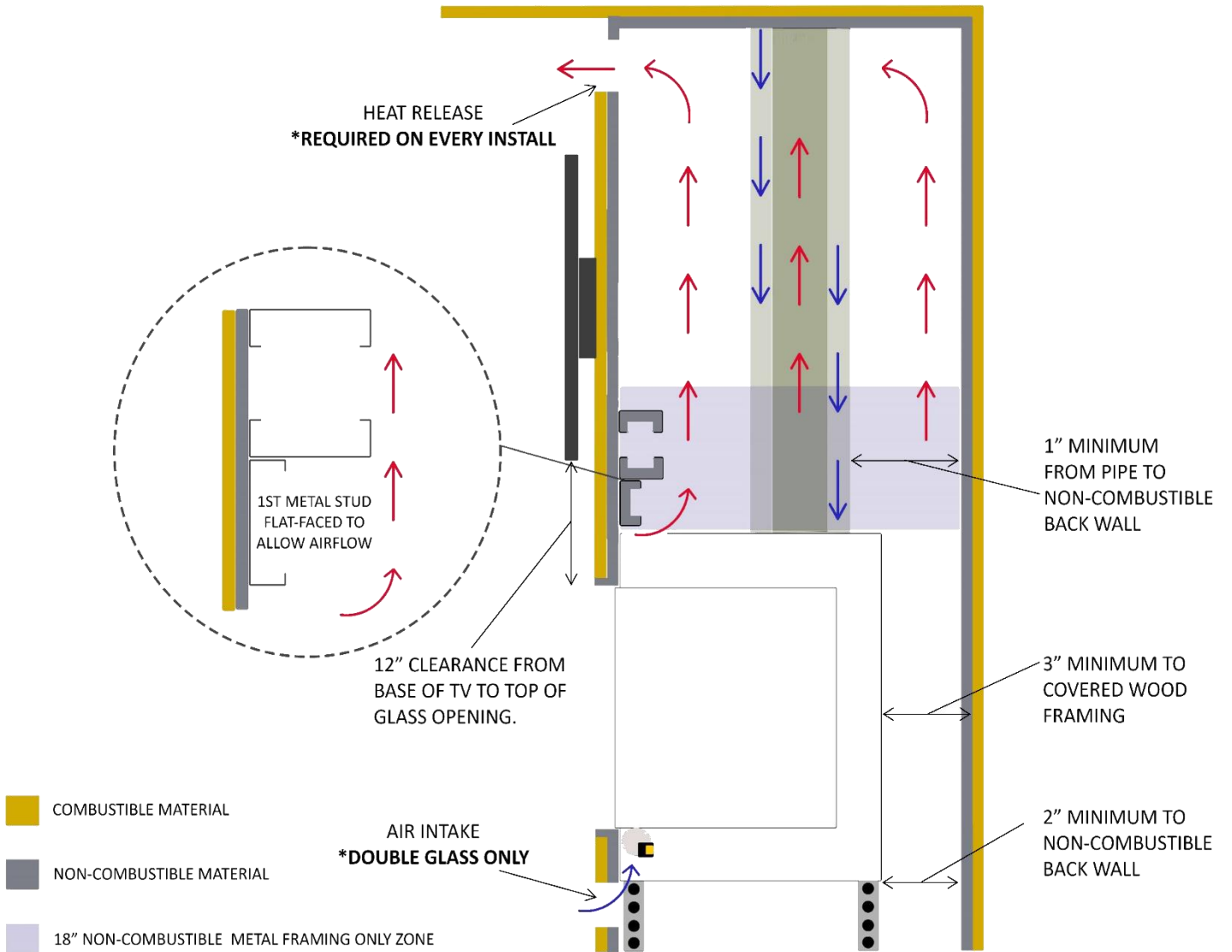
Wood Framing Dimensions



NOTE: Dimension 'Y' uses legs at default lowest height 4" below the unit with glass beginning 10" above the floor. Increase leg height and Y dimension for higher viewing window.

		X	Y	Z	
				Flat Installation	Recess Installation (4" Max)
45	Inch	47 ² / ₁₆	50 ⁸ / ₁₆	20 ⁹ / ₁₆	24 ⁹ / ₁₆
	mm	1183	1283	522	624
50	Inch	53 ¹³ / ₁₆	50 ⁸ / ₁₆	20 ⁹ / ₁₆	24 ⁹ / ₁₆
	mm	1367	1283	522	624
60	Inch	63 ¹⁰ / ₁₆	50 ⁸ / ₁₆	20 ⁹ / ₁₆	24 ⁹ / ₁₆
	mm	1616	1283	522	624
70	Inch	73 ⁸ / ₁₆	50 ⁸ / ₁₆	20 ⁹ / ₁₆	24 ⁹ / ₁₆
	mm	1867	1283	522	624
80	Inch	86 ¹ / ₁₆	50 ⁸ / ₁₆	20 ⁹ / ₁₆	24 ⁹ / ₁₆
	mm	2186	1283	522	624
100	Inch	103	50 ⁸ / ₁₆	20 ⁹ / ₁₆	24 ⁹ / ₁₆
	mm	2616	1283	522	624

WOOD FLAT - SIDE VIEW



CLEARANCES TO SIDE AND BACK

