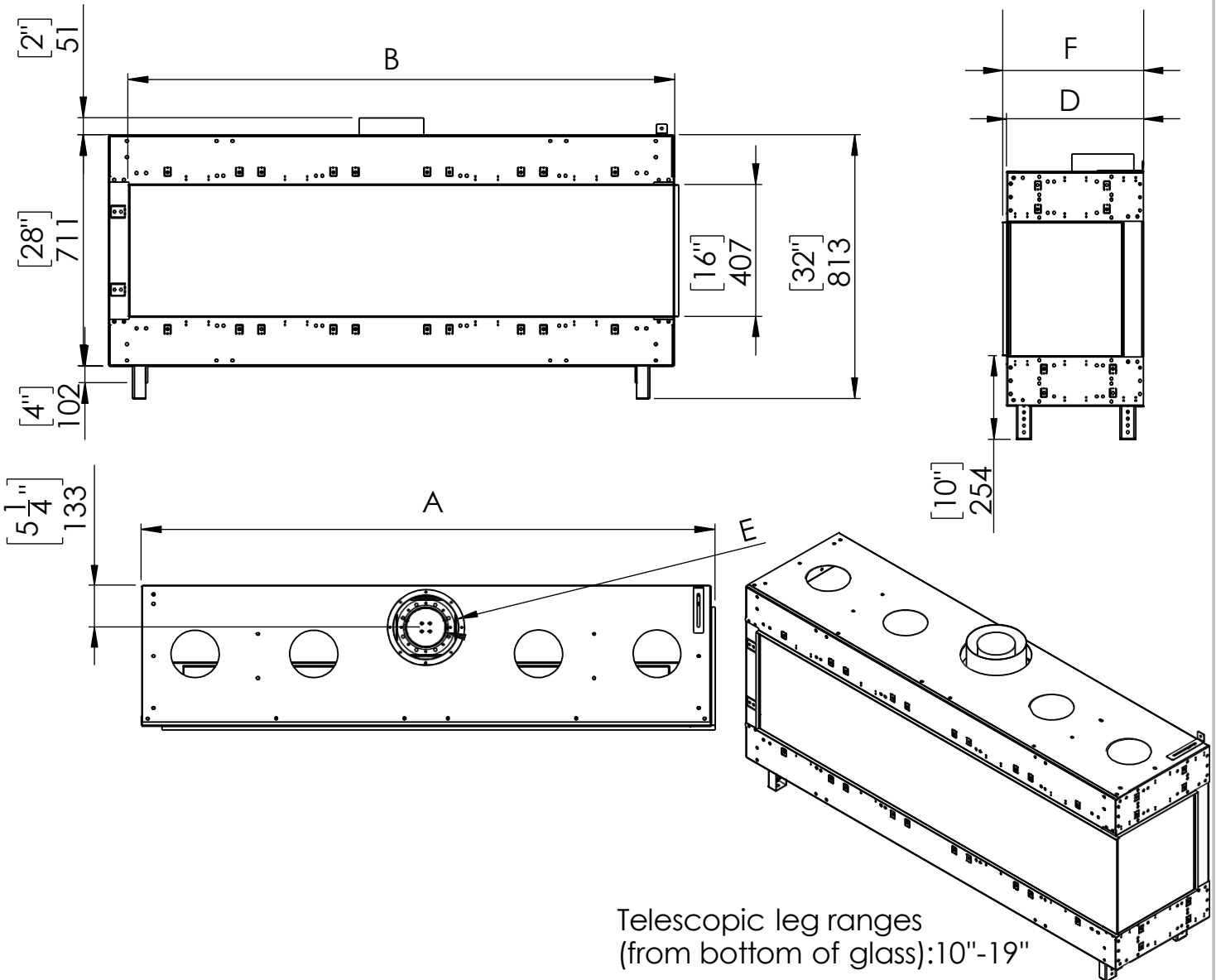
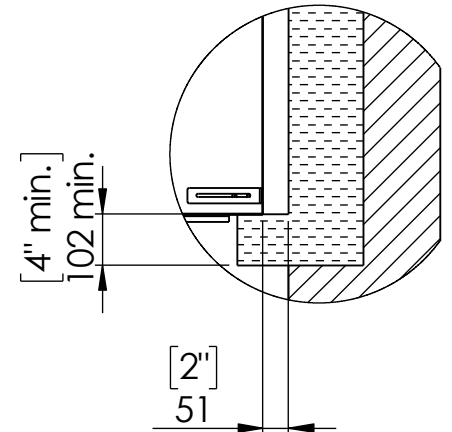
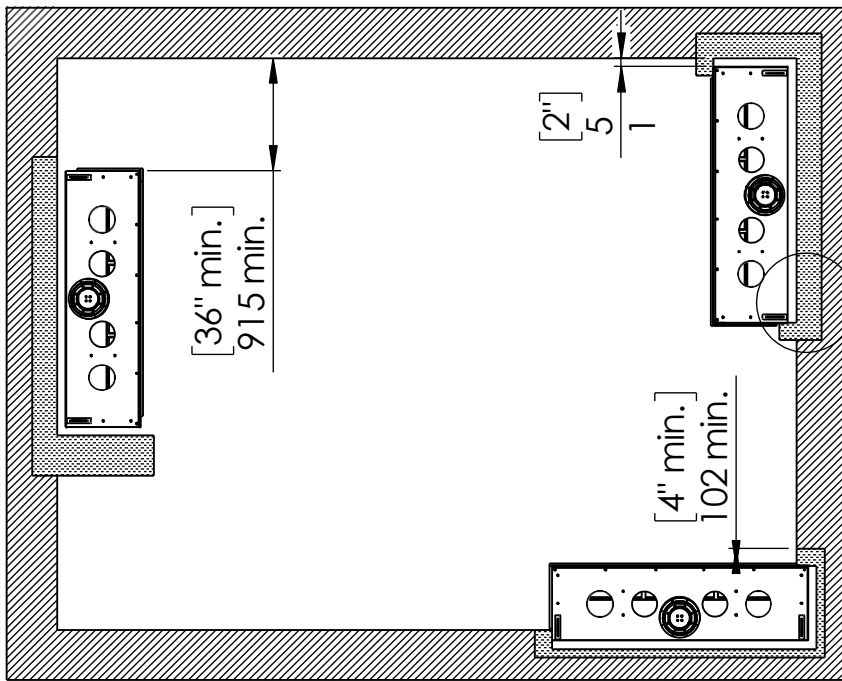
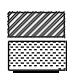


## Fireplace Dimensions



Model	45	50	60	70	80	100
A- Inch	44 <sup>2</sup> / <sub>16</sub>	50 <sup>13</sup> / <sub>16</sub>	60 <sup>10</sup> / <sub>16</sub>	70 <sup>8</sup> / <sub>16</sub>	83 <sup>1</sup> / <sub>16</sub>	100
B- Inch	41 <sup>4</sup> / <sub>16</sub>	47 <sup>15</sup> / <sub>16</sub>	57 <sup>11</sup> / <sub>16</sub>	67 <sup>10</sup> / <sub>16</sub>	80	97 <sup>3</sup> / <sub>16</sub>
F- Inch	18 <sup>1</sup> / <sub>16</sub>	18 <sup>1</sup> / <sub>16</sub>	18 <sup>1</sup> / <sub>16</sub>	18 <sup>1</sup> / <sub>16</sub>	18 <sup>1</sup> / <sub>16</sub>	18 <sup>1</sup> / <sub>16</sub>
D- Inch	17 <sup>9</sup> / <sub>16</sub>	17 <sup>9</sup> / <sub>16</sub>	17 <sup>9</sup> / <sub>16</sub>	17 <sup>9</sup> / <sub>16</sub>	17 <sup>9</sup> / <sub>16</sub>	17 <sup>9</sup> / <sub>16</sub>
E- Inch	4x6	5x8	5x8	5x8	5x8	5x8

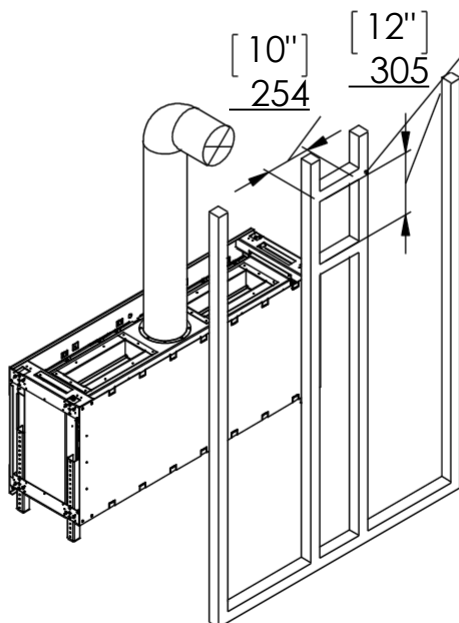


 Combustible Materials  
 Non Combustible Materials

## Chimney Installation

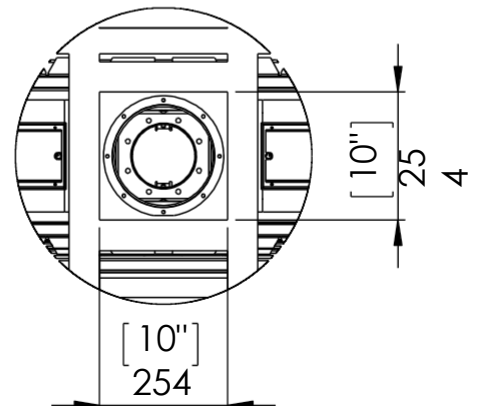
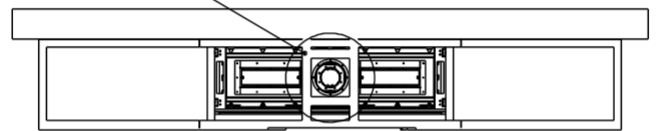
### Horizontal Termination

For 5 x 8 vent size create 10" x 12" vent termination opening

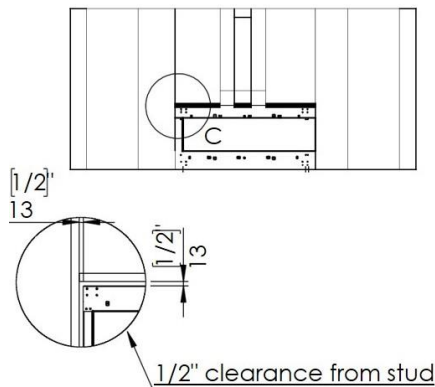
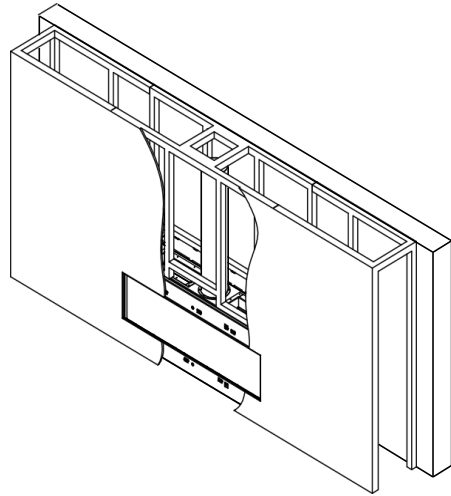


### Vertical Termination

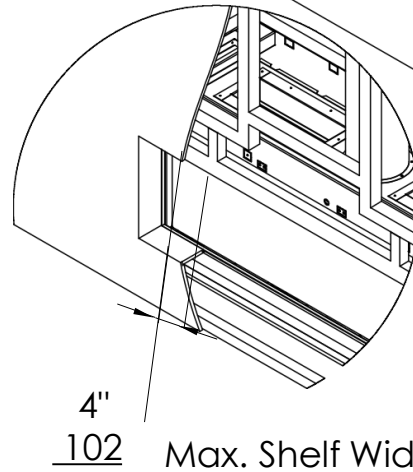
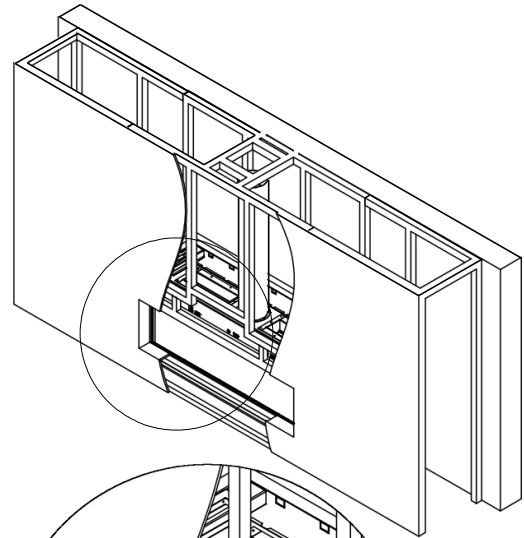
For 5 x 8 vent size create 10" x 10" vent termination opening



## Flat Installation Example



## L Shape Installation Example



## Heat Release and Air Intakes

### The following sizes MUST be maintained for the upper heat release:

For fireplaces sized 80" & 100" – vent area must be at least 200 square inches.

For fireplaces sized 60" & 70" - vent area must be at least 140 square inches.

For fireplace sized 50" and below - vent area must be at least 100 square inches.

### The following sizes MUST be maintained for the lower air intake:

For fireplaces sized 80" & 100" – vent area must be at least 100 square inches.

For fireplaces sized 60" & 70" - vent area must be at least 70 square inches.

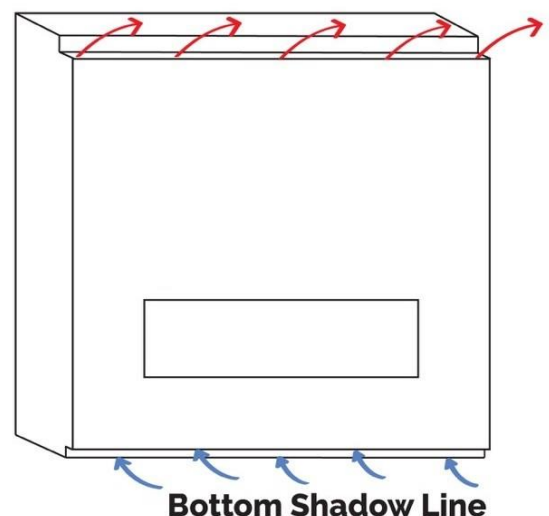
For fireplaces sized 50" and below - vent area must be at least 50 square inches.

For See Through and Room Definer fireplaces, the air intake requirements are double.

**NOTE: Openings above for Heat Release and Air Intake are measured for open air space.**

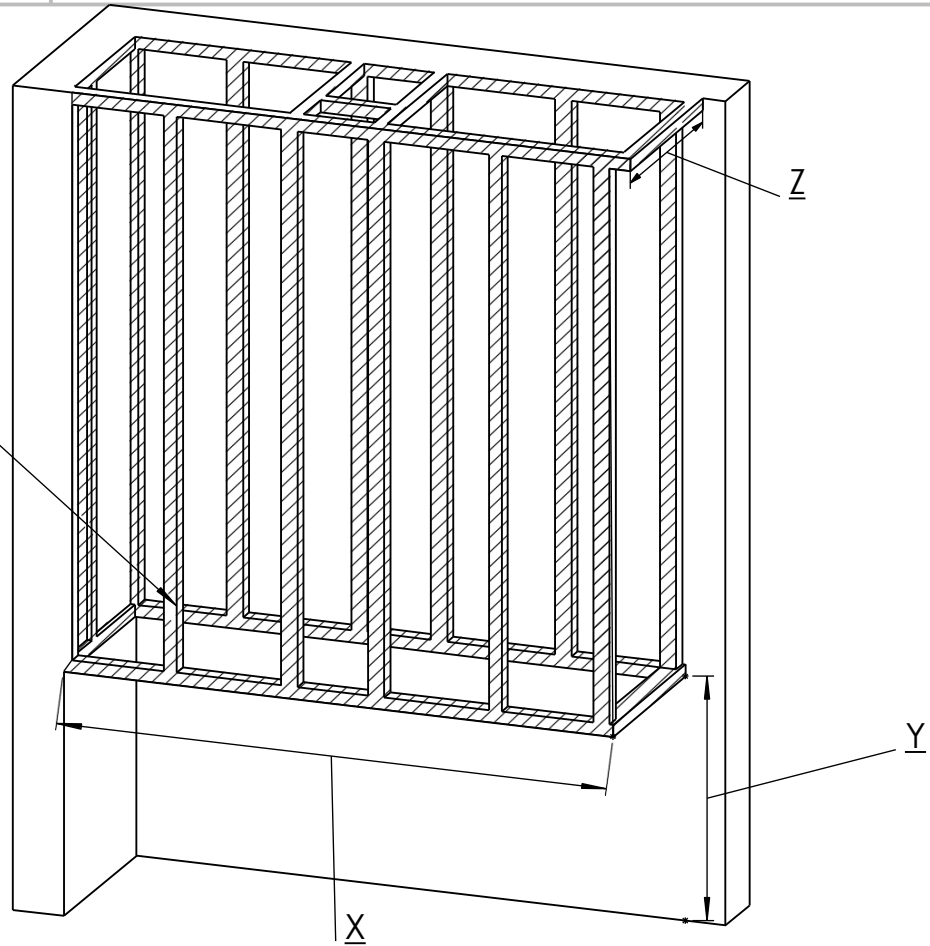
**NOTE: On all See Through and Room Definer units the air intake must be doubled**

### Top Shadow Line



# Metal Framing Dimensions

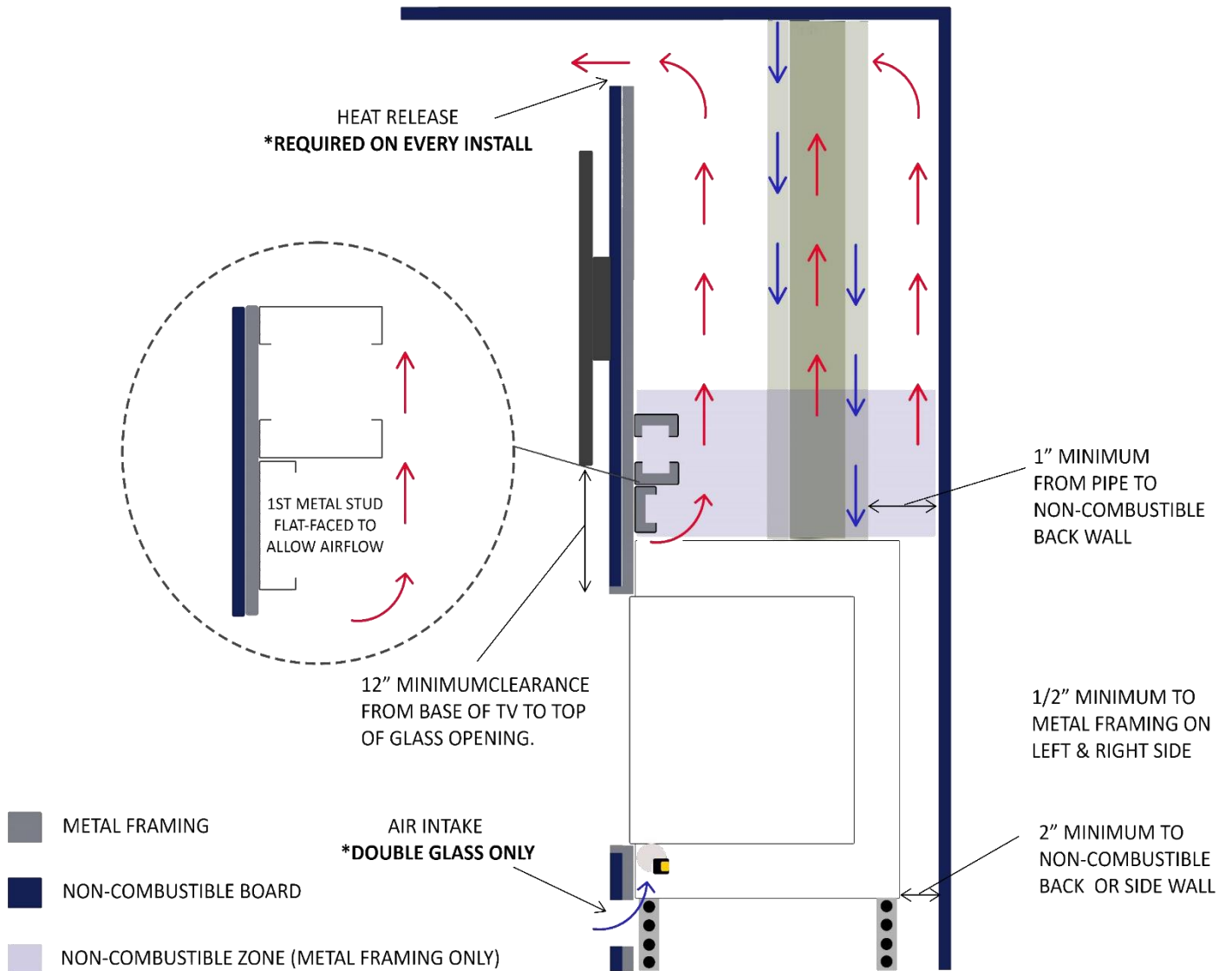
 Metal Stud  
 with Non-  
 Combustible  
 back wall



**NOTE: Dimension 'Y' uses legs at default lowest height 4" below the unit with glass beginning 10" above the floor. Increase leg height and Y dimension for higher viewing window.**

		X	Y	Z	
				Flat Installation	Recess Installation ( 4" Max)
45	Inch	46 <sup>2</sup> / <sub>16</sub>	32 <sup>8</sup> / <sub>16</sub>	19 <sup>9</sup> / <sub>16</sub>	23 <sup>9</sup> / <sub>16</sub>
	mm	1158	826	497	598
50	Inch	52 <sup>13</sup> / <sub>16</sub>	32 <sup>8</sup> / <sub>16</sub>	19 <sup>9</sup> / <sub>16</sub>	23 <sup>9</sup> / <sub>16</sub>
	mm	1341	826	497	598
60	Inch	62 <sup>10</sup> / <sub>16</sub>	32 <sup>8</sup> / <sub>16</sub>	19 <sup>9</sup> / <sub>16</sub>	23 <sup>9</sup> / <sub>16</sub>
	mm	1591	826	497	598
70	Inch	72 <sup>8</sup> / <sub>16</sub>	32 <sup>8</sup> / <sub>16</sub>	19 <sup>9</sup> / <sub>16</sub>	23 <sup>9</sup> / <sub>16</sub>
	mm	1842	826	497	598
80	Inch	85 <sup>1</sup> / <sub>16</sub>	32 <sup>8</sup> / <sub>16</sub>	19 <sup>9</sup> / <sub>16</sub>	23 <sup>9</sup> / <sub>16</sub>
	mm	2161	826	497	598
100	Inch	102	32 <sup>8</sup> / <sub>16</sub>	19 <sup>9</sup> / <sub>16</sub>	23 <sup>9</sup> / <sub>16</sub>
	mm	2591	826	497	598

## METAL FLAT - SIDE VIEW



## CLEARANCES TO SIDE AND BACK

