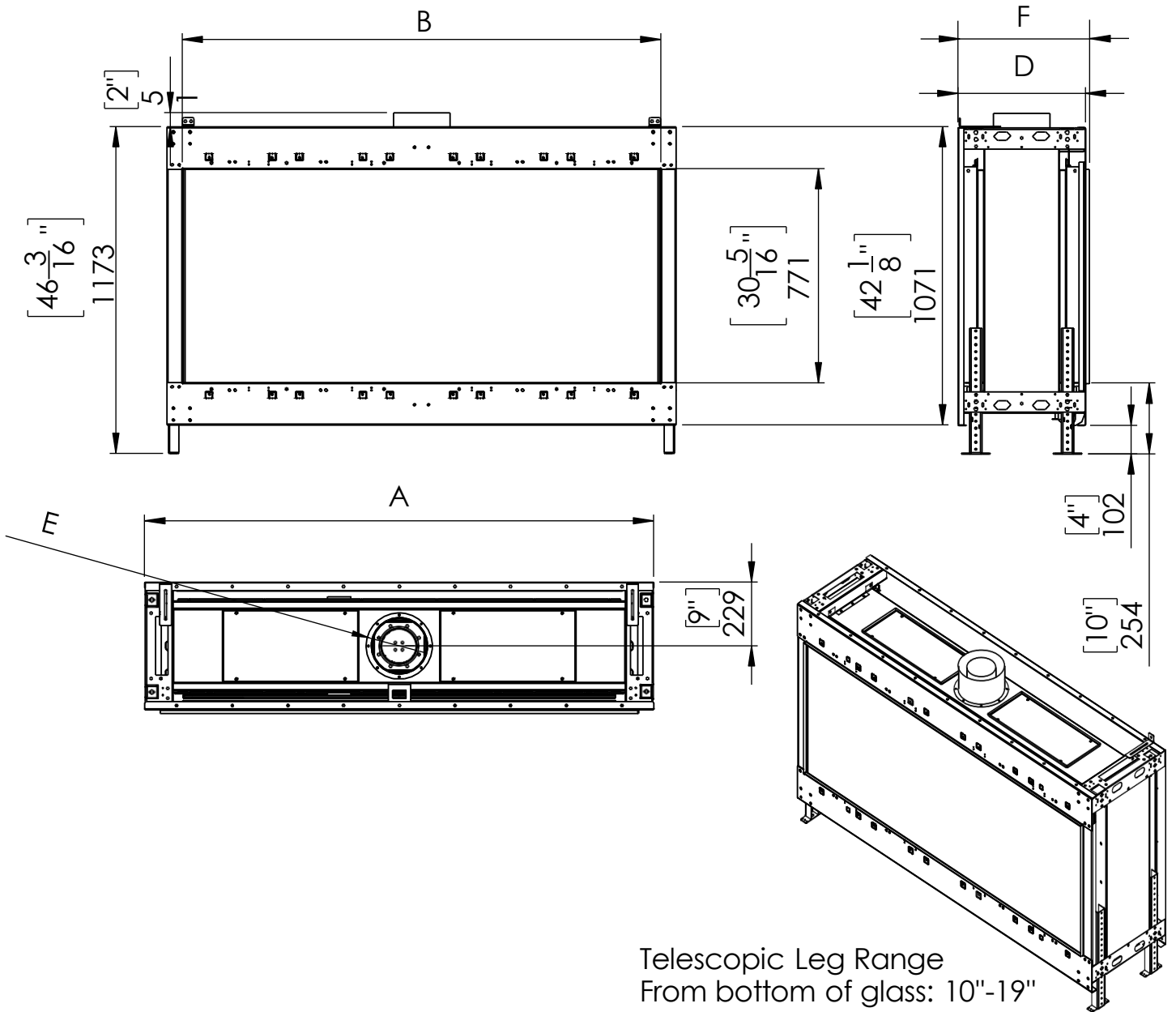
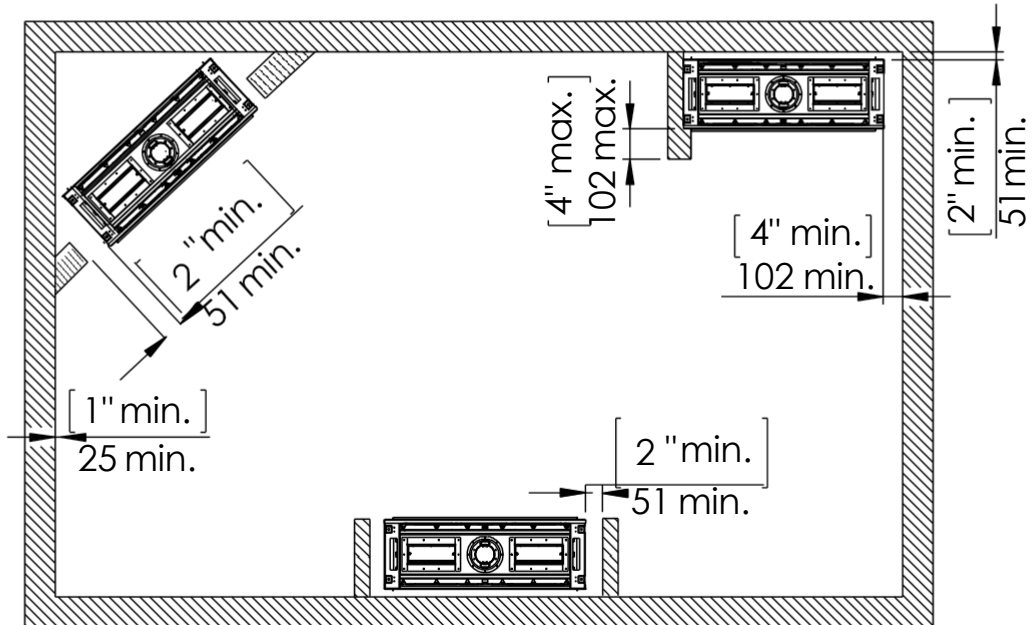


## Fireplace Dimensions



Model	45	50	60	70	80	100
A- Inch	45 $\frac{9}{16}$	52 $\frac{5}{16}$	62 $\frac{2}{16}$	72 $\frac{3}{16}$	84 $\frac{9}{16}$	101 $\frac{8}{16}$
B- Inch	41 $\frac{5}{16}$	48	57 $\frac{13}{16}$	67 $\frac{11}{16}$	80 $\frac{1}{16}$	97 $\frac{3}{16}$
F- Inch	18 $\frac{9}{16}$	18 $\frac{9}{16}$	18 $\frac{9}{16}$	18 $\frac{9}{16}$	18 $\frac{9}{16}$	18 $\frac{9}{16}$
D- Inch	18 $\frac{1}{16}$	18 $\frac{1}{16}$	18 $\frac{1}{16}$	18 $\frac{1}{16}$	18 $\frac{1}{16}$	18 $\frac{1}{16}$
E- Inch	4x6	5x8	5x8	5x8	5x8	5x8

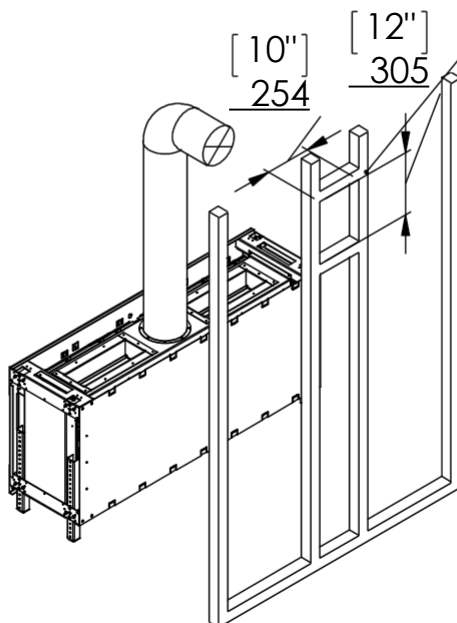
Clearances below are to non-combustible materials.



## Chimney Installation

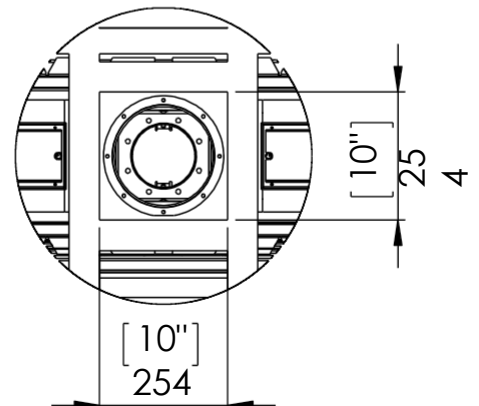
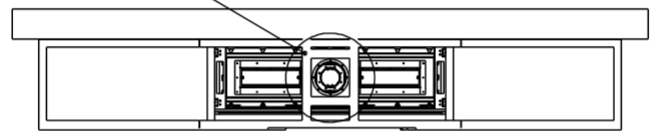
### Horizontal Termination

For 5 x 8 vent size create 10" x 12" vent termination opening

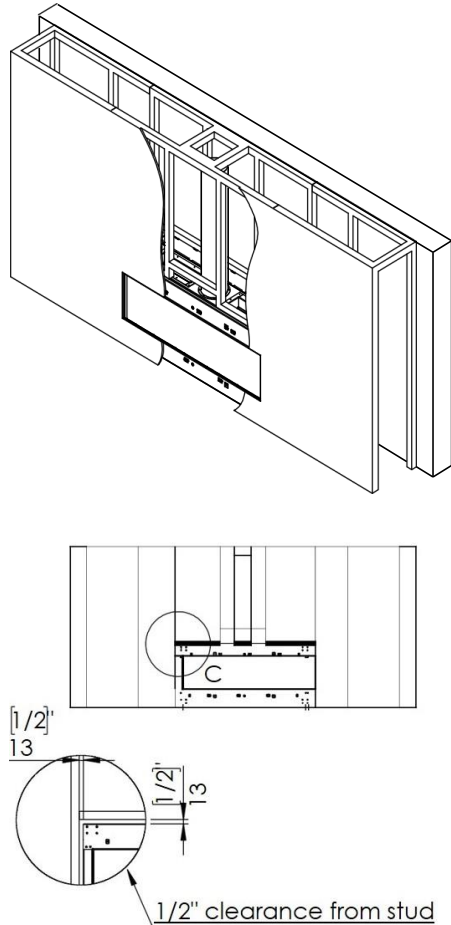


### Vertical Termination

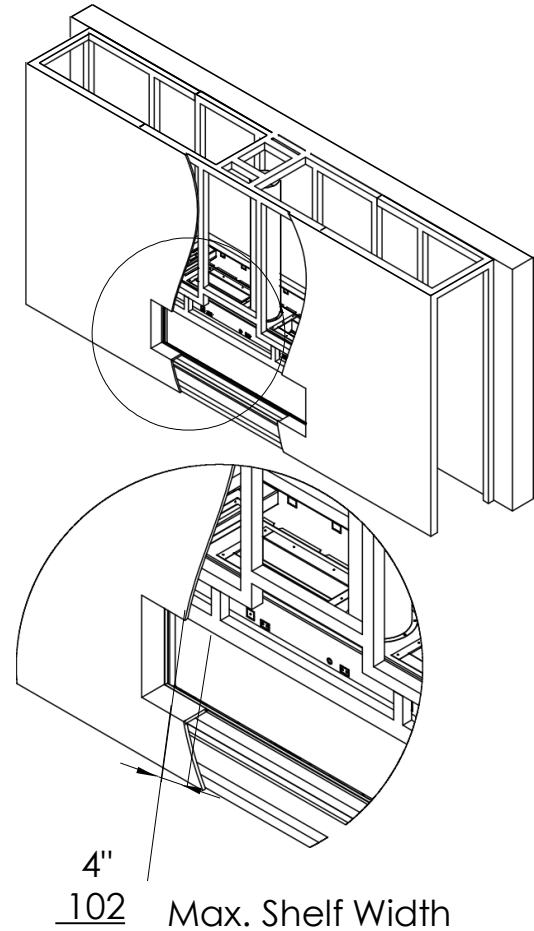
For 5 x 8 vent size create 10" x 10" vent termination opening



## Flat Installation Example



## L Shape Installation Example



## Heat Release and Air Intakes

### The following sizes MUST be maintained for the upper heat release:

For fireplaces sized 80" & 100" – vent area must be at least 200 square inches.

For fireplaces sized 60" & 70" - vent area must be at least 140 square inches.

For fireplace sized 50" and below - vent area must be at least 100 square inches.

### The following sizes MUST be maintained for the lower air intake:

For fireplaces sized 80" & 100" – vent area must be at least 100 square inches.

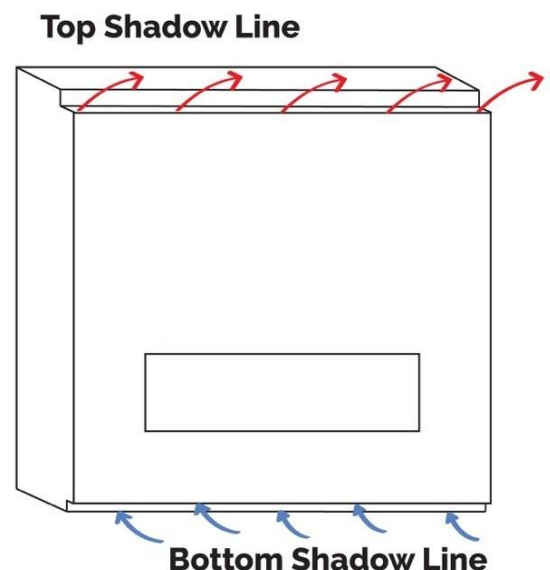
For fireplaces sized 60" & 70" - vent area must be at least 70 square inches.

For fireplaces sized 50" and below - vent area must be at least 50 square inches.

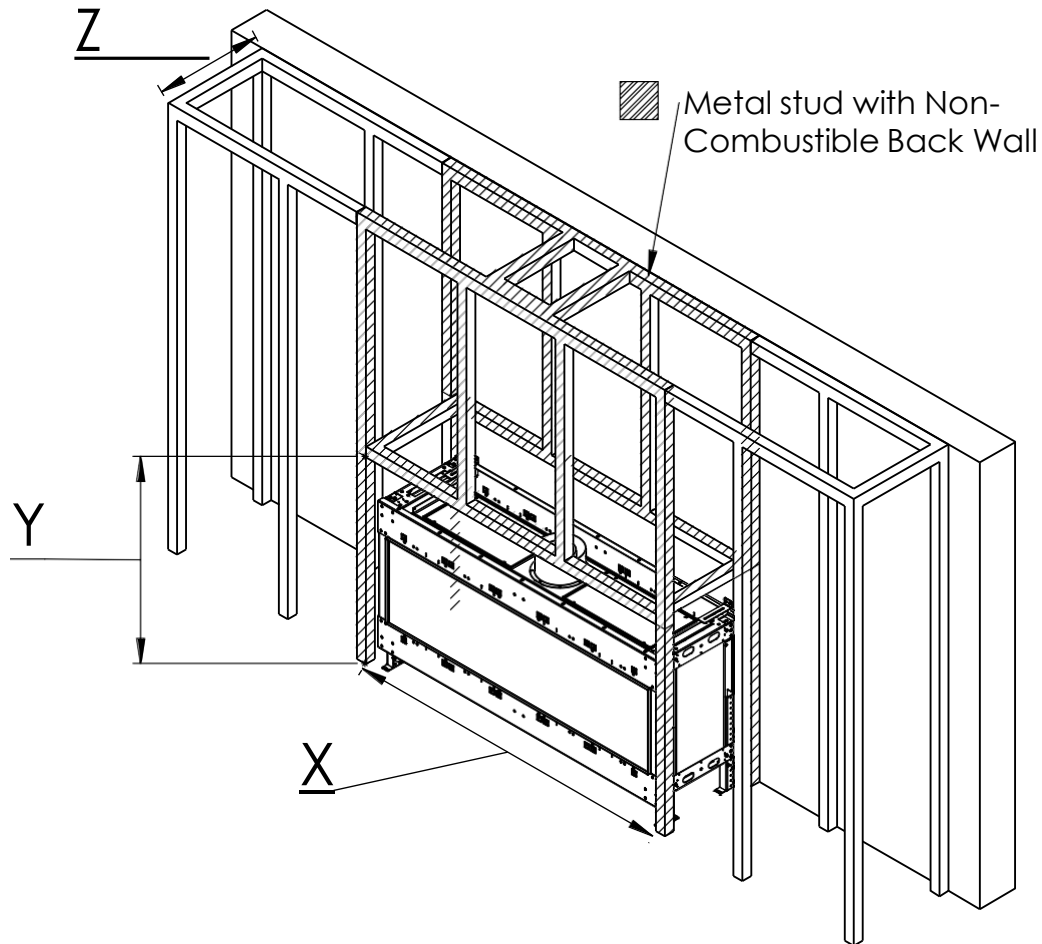
For See Through and Room Definer fireplaces, the air intake requirements are double.

**NOTE: Openings above for Heat Release and Air Intake are measured for open air space.**

**NOTE: On all See Through and Room Definer units the air intake must be doubled**



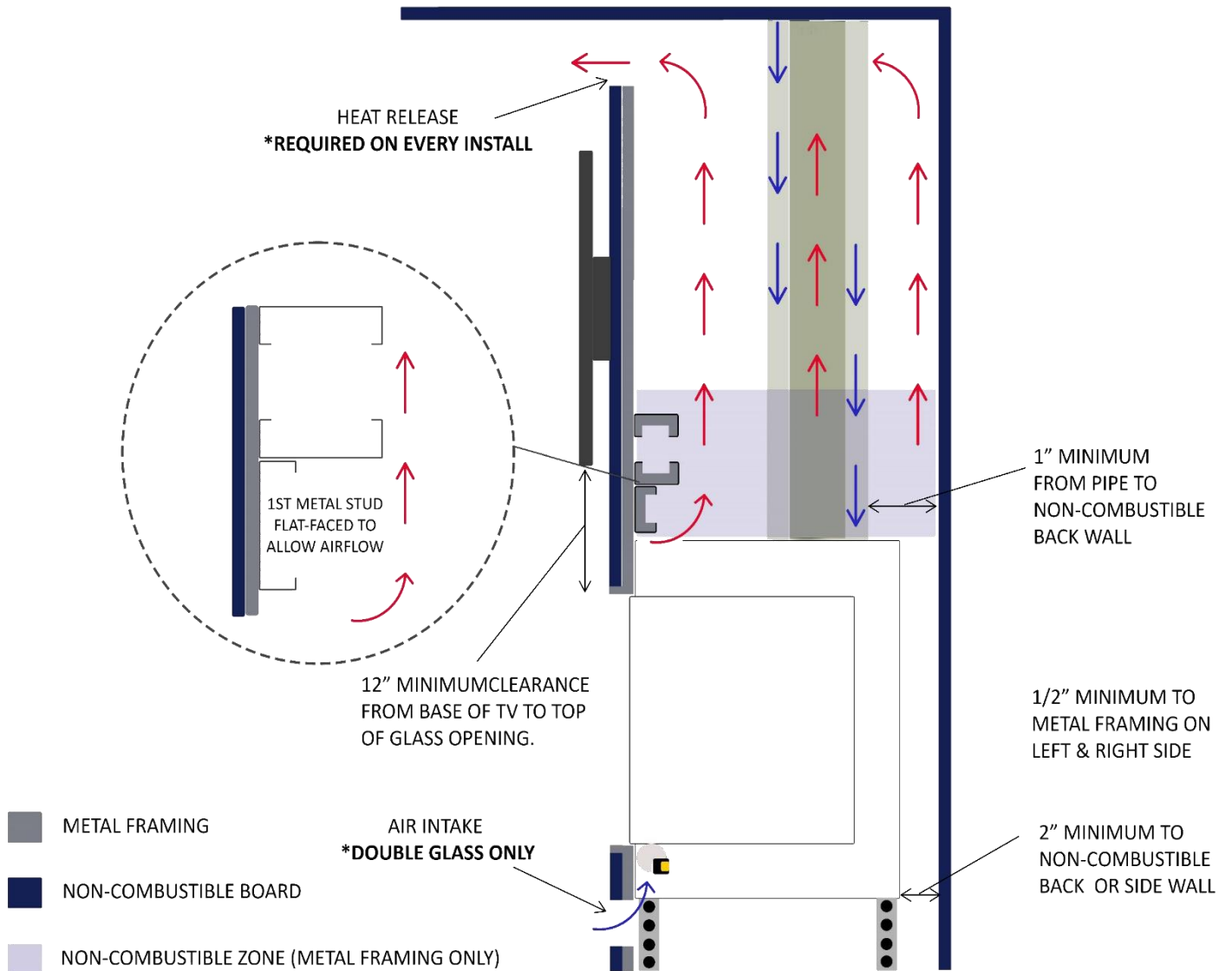
# Metal Framing Dimensions



**NOTE:** Dimension 'Y' uses legs at default lowest height 4" below the unit with glass beginning 10" above the floor. Increase leg height and Y dimension for higher viewing window.

		X	Y	Z	
				Flat Installation	Recess Installation ( 4" Max)
45	Inch	46 9/16	46 11/16	20 1/16	24 1/16
	mm	1169	1186	510	611
50	Inch	53 5/16	46 11/16	20 1/16	24 1/16
	mm	1354	1186	510	611
60	Inch	63 2/16	46 11/16	20 1/16	24 1/16
	mm	1603	1186	510	611
70	Inch	73 3/16	46 11/16	20 1/16	24 1/16
	mm	1859	1186	510	611
80	Inch	85 9/16	46 11/16	20 1/16	24 1/16
	mm	2173	1186	510	611
100	Inch	102 8/16	46 11/16	20 1/16	24 1/16
	mm	2604	1186	510	611

## METAL FLAT - SIDE VIEW



## CLEARANCES TO SIDE AND BACK

