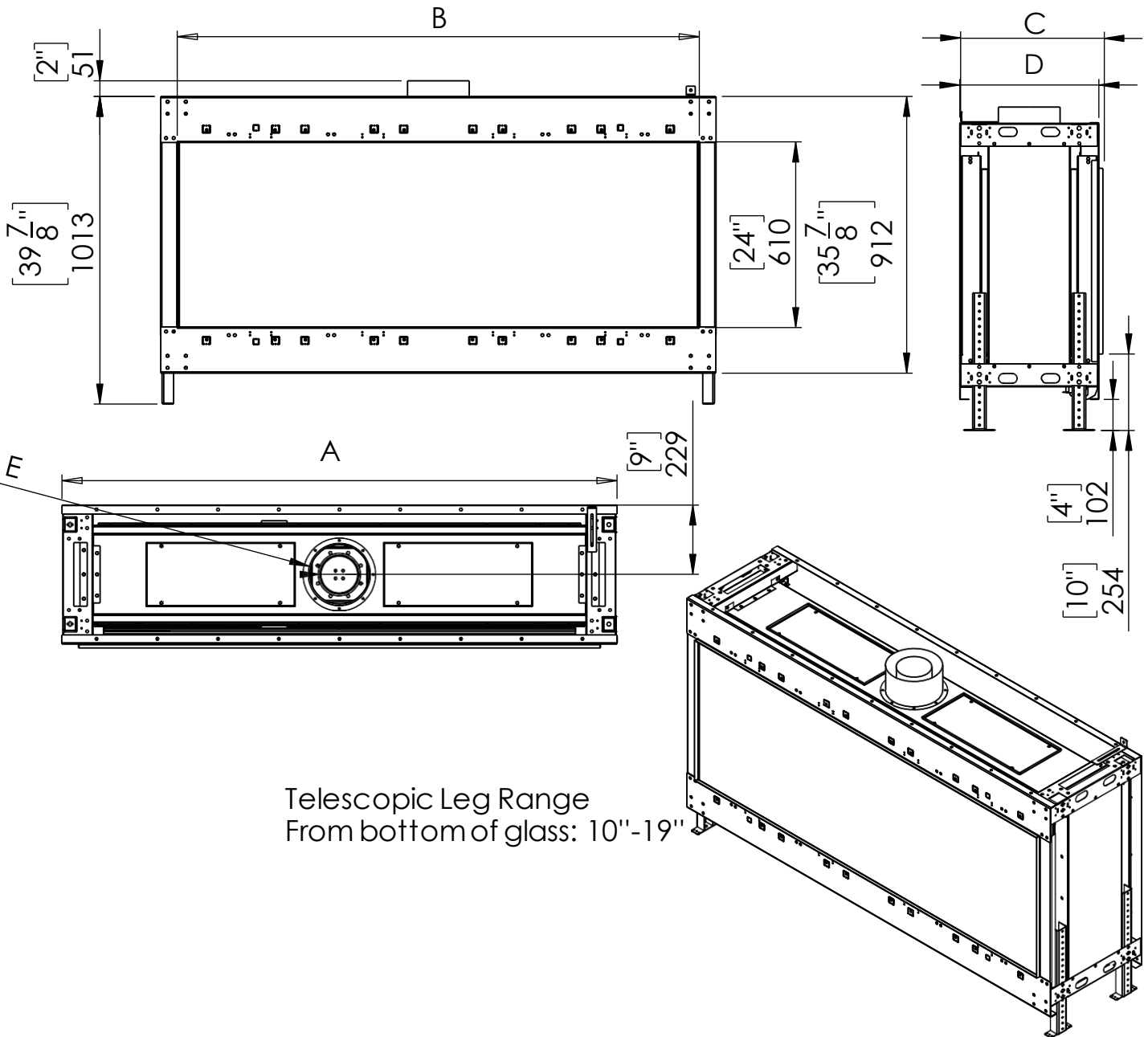


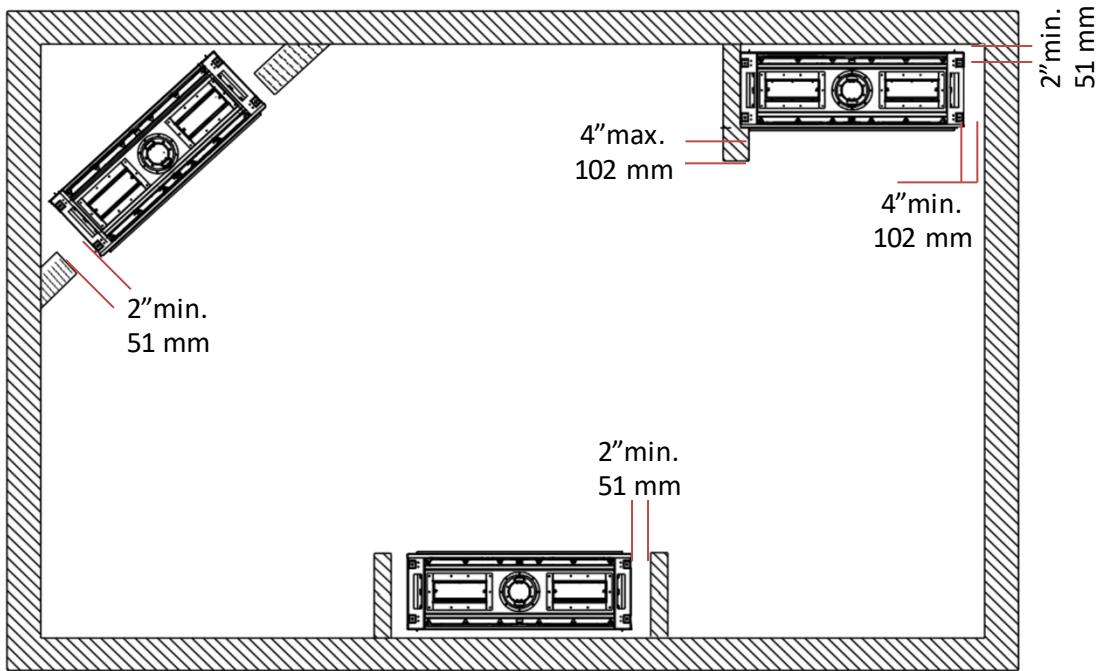
### Fireplace Dimensions



Telescopic Leg Range  
From bottom of glass: 10"-19"

Model		30	45	50	60	70	80	100
A	IN	32 10/16	45 9/16	52 5/16	62 2/16	72 3/16	84 9/16	101 8/16
	MM	828	1157	1328	1577	1833	2147	2578
B	IN	28 4/16	41 4/16	47 15/16	57 13/16	67 10/16	80 4/16	97 3/16
	MM	717	1047	1217	1468	1717	2038	2468
C	IN	18 9/16	18 9/16	18 9/16	18 9/16	18 9/16	18 9/16	18 9/16
	MM	471	471	471	471	471	471	471
D	IN	18 1/16	18 1/16	18 1/16	18 1/16	18 1/16	18 1/16	18 1/16
	MM	458	458	458	458	458	458	458
E	IN	4x6	4x6	5x8	5x8	5x8	5x8	5x8
	MM	101x152	101x152	127x203	127x203	127x203	127x203	127x203

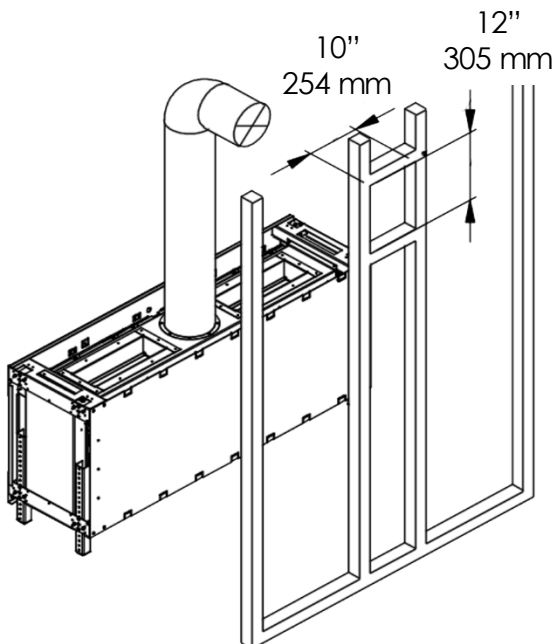
Clearances below are to non-combustible materials.



## Chimney Installation

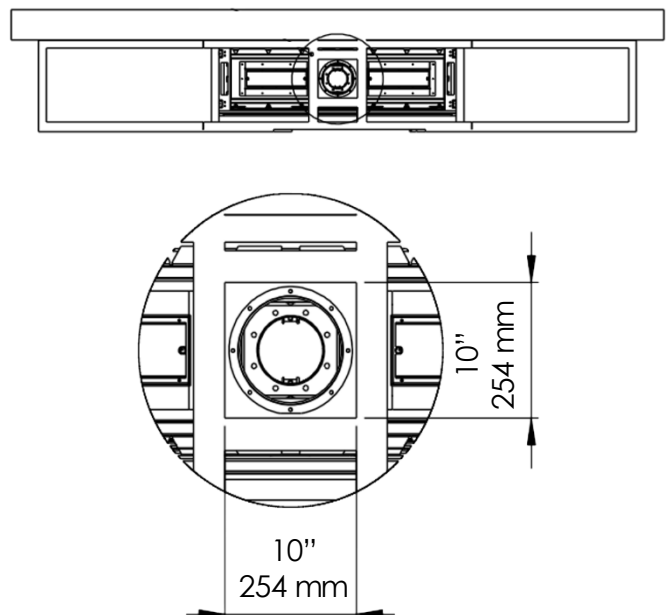
### Horizontal Termination

For 5x8 vent pipe termination create a 10"x12" opening

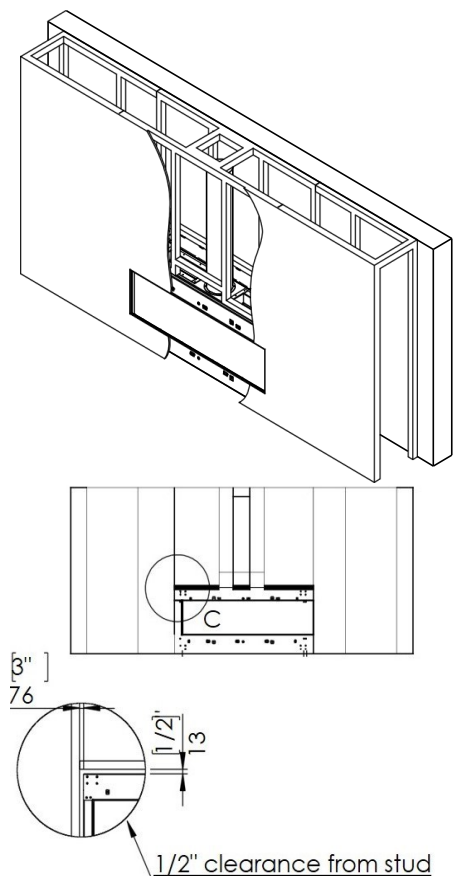


### Vertical Termination

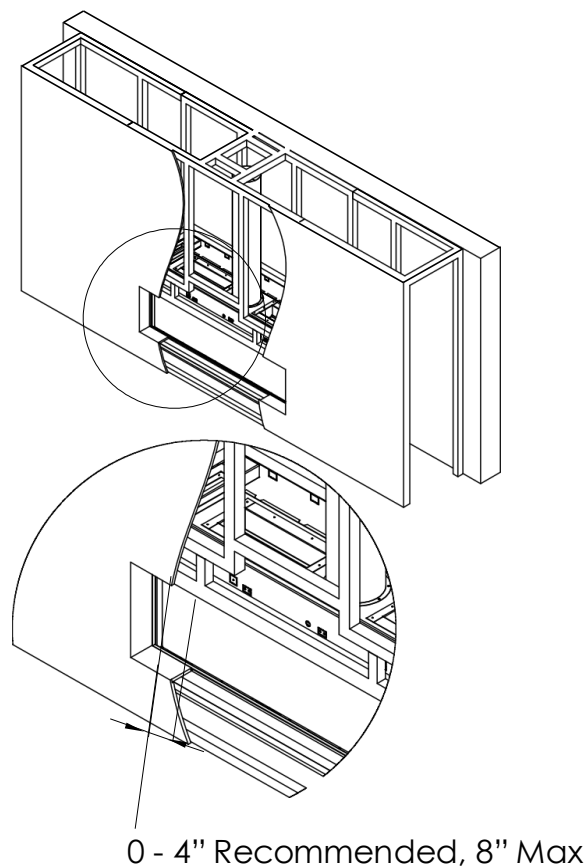
For 5x8 vent pipe termination create a 10"x10" opening



Flat Installation



Recessed Installation



## Heat Release and Air Intake

### **Required Heat Release Open Air-Flow Minimum**

80" and 100" Fireplaces - 200 square inches minimum.

60" and 70" Fireplaces - 140 square inches minimum.

30", 45", 50" Fireplaces - 100 square inches minimum.

### **Required Air Intake Open Air-Flow Minimum**

80" and 100" Fireplaces - 100 square inches minimum.

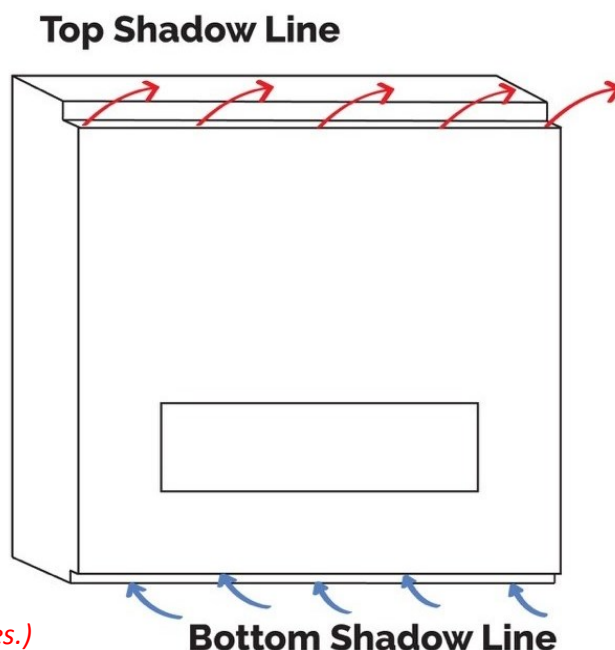
60" and 70" Fireplaces - 70 square inches minimum.

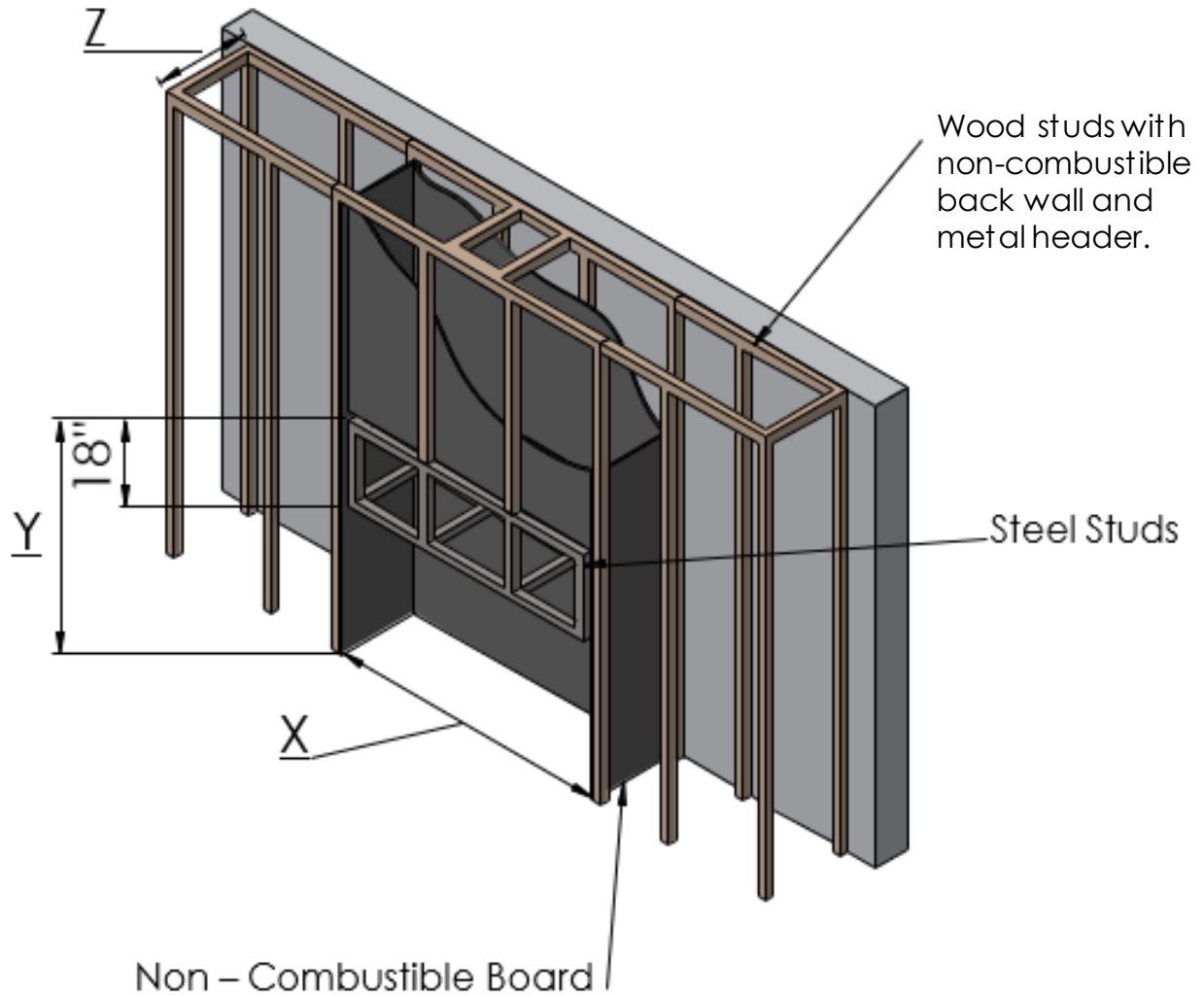
30", 45", 50" Fireplaces - 50 square inches minimum.

*(\*Blower Kit and Cool Glass)*

*(\*\*See Through and Room Definers Require the Intake to be Doubled and Balanced in Size and Positioning on Both Long Sides.)*

*(\*\*\*Openings are measured for open air-flow)*

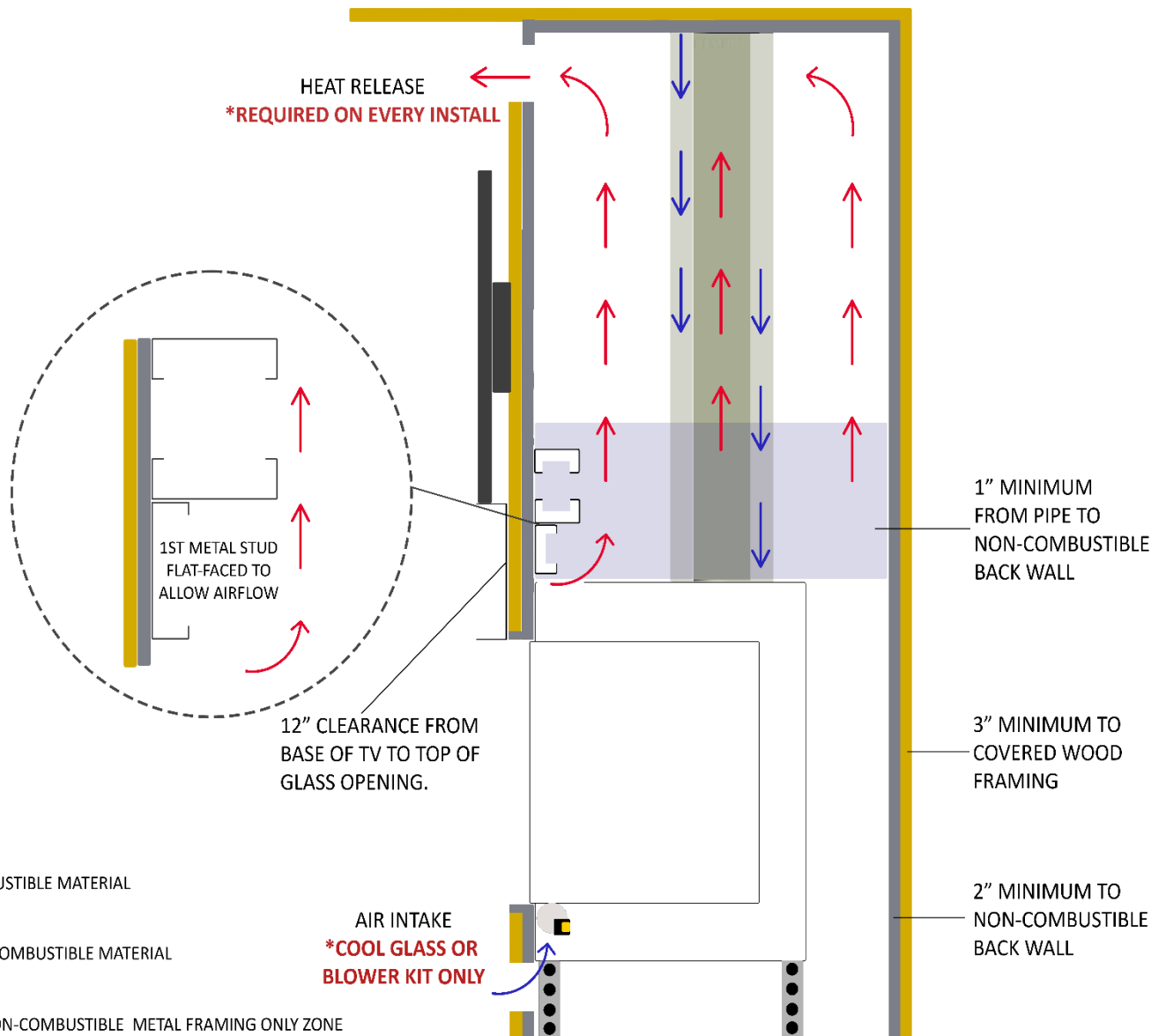




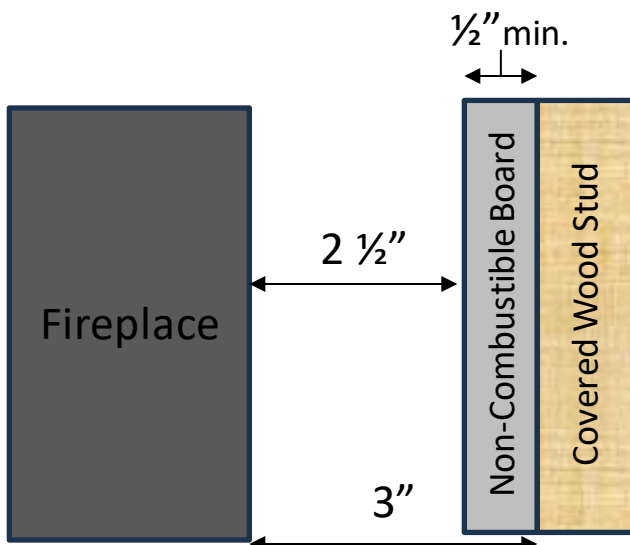
**NOTE:** Dimension “Y” assumes the fireplace legs are set to the default height of 4”, placing the glass opening at 10” above the floor. This “Y” dimension can change based on where your client wants their viewing window.

\*All framing and finishing must be secured to your projects back wall, ceiling or floor and must never bear weight on the fireplace in any circumstance. For more information reference the [Installation Manual](#).

Model		X	Y	Z	
				Flat Installation	Recess Installation (4")
30	IN	38 10/16	58 6/16	21 1/16	25 1/16
	MM	981	1482	534	636
45	IN	51 9/16	58 6/16	21 1/16	25 1/16
	MM	1294	1482	534	636
50	IN	58 5/16	58 6/16	21 1/16	25 1/16
	MM	1481	1482	534	636
60	IN	68 2/16	58 6/16	21 1/16	25 1/16
	MM	1730	1482	534	636
70	IN	78 3/16	58 6/16	21 1/16	25 1/16
	MM	1985	1482	534	636
80	IN	90 9/16	58 6/16	21 1/16	25 1/16
	MM	2300	1482	534	636
100	IN	107 8/16	58 6/16	21 1/16	25 1/16
	MM	2731	1482	534	636



### Wood Framing Clearances and Materials Example



\*Any combustible material found within the fireplace cavity must be covered with a minimum 1/2" thick non-combustible board and maintain a 3" clearance to the sides and back of the fireplace.