



# FLARE FIREPLACES

**WARNING:** If the information in these instructions are not followed exactly, a fire or explosion may result causing property damage, personal injury or loss of life.

- Do not store or use gasoline or other flammable vapors and liquids in the vicinity of this or any other appliance.
- WHAT TO DO IF YOU SMELL GAS
  - Do not try to light any appliance.
  - Do not touch any electrical switch; do not use any phone in your building.
  - Immediately call your gas supplier from a neighbor's phone. Follow the gas supplier's instructions.
  - If you cannot reach your gas supplier, call the fire department.
- Installation and service must be performed by a qualified installer, service agency or the gas supplier.



## DANGER



**HOT GLASS WILL  
CAUSE BURNS.**

**DO NOT TOUCH GLASS  
UNTIL COOLED.**

**NEVER ALLOW CHILDREN  
TO TOUCH GLASS.**

A barrier designed to reduce the risk of burns from the hot viewing glass is provided with this appliance and shall be installed for the protection of children and other at-risk individuals.



FLARE REQUIRES INSTALLATION BE PERFORMED BY AN NFI CERTIFIED INSTALLER, OR A CERTIFIED FLARE AUTHORIZED INSTALLER. *INSTALLATIONS THAT DO NOT FOLLOW THIS INSTRUCTION WILL NOT BE COVERED BY WARRANTY OR SERVICED.*

## NOTICE

**INSTALLER:** Leave this manual with the appliance.

**CONSUMER:** Retain this manual for future reference.

**INSTALLATION AND SERVICE OF THIS APPLIANCE MUST BE PERFORMED BY QUALIFIED CERTIFIED NFI PERSONNEL OR CERTIFIED FLARE FIREPLACE DEALER.**

**Massachusetts:** The piping and final gas connection must be performed by a licensed plumber or gas fitter in the State of Massachusetts. Also, see Carbon Monoxide detector requirements on page 56

## Flare Fireplaces Installation Guide

[Flare Double Corner, Left Corner, Right Corner, Front, See-Through and Room Definer] v9.0

# TABLE OF CONTENTS

<b>SAFETY INFO AND WARNINGS.....</b>	<b>5</b>
<b>FLARE FIREPLACES – FRAMELESS IN EVERY WAY .....</b>	<b>7</b>
SAFETY.....	7
<i>CSA CERTIFICATION</i> .....	7
<b>MANUAL MODEL LIST &amp; INFORMATION.....</b>	<b>8</b>
<b>FIREPLACE OPERATION.....</b>	<b>9</b>
REMOTE CONTROL INSTRUCTIONS .....	9
RECEIVER AND REMOTE BATTERIES .....	13
PAIRING REMOTE WITH FIREPLACE RECEIVER.....	13
WALL SWITCH – OPTIONAL .....	14
MEDIA ARRANGEMENTS.....	15
MEDIA CALCULATIONS .....	16
<b>FEATURE REMOVAL.....</b>	<b>17</b>
SAFETY SCREEN REMOVAL.....	17
EXTERNAL GLASS REMOVAL – DOUBLE GLASS FIREPLACE.....	18
INTERNAL GLASS REMOVAL .....	19
SIDE GLASS TRIM REMOVAL / INSTALLATION – FLARE H & EH .....	21
REFLECTIVE BACK INSTALL.....	22
<b>INSTALLATION STEPS.....</b>	<b>23</b>
<b>INSTALLATION PREPARATION .....</b>	<b>24</b>
ACCESS PANEL.....	24
FIREPLACE UNPACKING.....	25
FIREPLACE TELESCOPIC LEGS SETUP .....	26
LEG SETUP FOR FRONT AND SEE THROUGH UNITS.....	27
<b>LEG SETUP FOR CORNER UNITS .....</b>	<b>28</b>
UNPACKING CONTROL UNIT AND ACCESSORIES.....	29
FIREPLACE POSITIONING.....	30
<b>LED LIGHTS .....</b>	<b>31</b>
LED LIGHT INSTALL AND POWER .....	32
LED CONTROLLER AND REMOTE .....	33
<b>OPTIONAL BLOWER KIT FOR SCREENED UNIT.....</b>	<b>35</b>
<b>VENT TERMINATION.....</b>	<b>36</b>
VENT AND FIREPLACE SIZE.....	37
MINIMUM COMBUSTIBLE CLEARANCES FROM VENT.....	37
VERTICAL TERMINATION .....	38
<b>VENT TERMINATION CLEARANCES .....</b>	<b>40</b>

VENT RESTRICTOR SETUP .....	42
<b>CHIMNEY PATH INSTALLATION AND PLANNING .....</b>	<b>43</b>
FLARE 30/30H .....	44
FLARE 45/45H/45EH .....	45
FLARE 50/50H/50EH .....	46
FLARE 60/60H/60EH .....	47
FLARE 70/70H/70EH .....	48
FLARE 80/80H/80EH .....	49
FLARE 100/100H/100EH .....	50
<b>POWER VENTING.....</b>	<b>51</b>
ELECTRICAL CONNECTION TO THE PV SYSTEM.....	53
<b>GAS INSTALLATION.....</b>	<b>54</b>
GENERAL.....	54
ORIFICE SIZE .....	56
GAS VALVE ACCESS DOOR .....	56
COMMONWEALTH OF MASSACHUSETTS.....	57
<b>FLARE FIREPLACES - DOUBLE GLASS .....</b>	<b>58</b>
OVERVIEW .....	58
DOUBLE GLASS - INSTRUCTIONS .....	59
<i>Power requirements</i> .....	59
<b>TELEVISION MOUNTING ABOVE FIREPLACE.....</b>	<b>60</b>
TV INSTALL – FLAT EXAMPLE.....	61
TV INSTALL – L TYPE EXAMPLE .....	62
TV INSTALL RECESS – 45 DEGREE ELBOW ON TOP OF THE UNIT .....	63
TV INSTALL WITHOUT RECESS – MANTEL INSTALLATION .....	64
TV INSTALLED FLUSH ABOVE FIREPLACE.....	65
<b>CLEARANCES .....</b>	<b>66</b>
GENERAL INFORMATION AND STEPS.....	66
CLEARANCES SPECIFICATION .....	71
MANTEL CLEARANCE.....	72
CLEARANCE TO SPRINKLER .....	73
HEAT RELEASES .....	74
AIR INTAKE .....	74
EXAMPLES OF HEAT RELEASES.....	75
FLARE FRONT, SEE THROUGH, AND CORNER FIREPLACE CLEARANCE .....	76
<i>Flat – side and isometric view</i> .....	76
<i>L shape – side and isometric view</i> .....	78
<b>INDOOR/OUOUTDOOR KIT .....</b>	<b>80</b>
APPLIANCE LOCATION.....	80
<b>BURNER DIMENSIONS .....</b>	<b>83</b>

<b>HOME AUTOMATION .....</b>	<b>84</b>
<b>ELECTRIC AND CONTROL .....</b>	<b>85</b>
ELECTRIC DIAGRAM - SCREEN .....	85
DIAGRAM – DOUBLE GLASS AND POWER VENT .....	86
DOUBLE GLASS BOARD & LED LIGHT GUIDE .....	87
ELECTRIC DIAGRAM – PV SYSTEM .....	88
<b>REPLACEMENT PARTS.....</b>	<b>89</b>
<b>MAINTENANCE.....</b>	<b>90</b>
<b>APPENDIX.....</b>	<b>92</b>
MAINTENANCE LOG.....	92
<b>MAXITROL TROUBLESHOOTING GUIDE FOR DOUBLE GLASS .....</b>	<b>93</b>
<b>MAXITROL TROUBLESHOOTING GUIDE FOR SAFETY SCREEN.....</b>	<b>98</b>
WARRANTY POLICY.....	101

**WARNING!**

If the information in these instructions are not followed exactly, a fire or explosion may result causing property damage, personal injury or loss of life.

Installation and service must be performed by a qualified installer, service agency or the supplier.

**WARNING!**

The direct vent system appliance must be installed as an OEM installation in manufactured homes (USA only) or an aftermarket permanently located, or a mobile home, where not prohibited by local codes and must be installed in accordance with Manufacturer's instructions and the Manufactured Home Construction and Safety Standard, Title 24 CFR, Part 3280, in the United States, or the Standard for Installation in Mobile Homes, CAN/CSA Z240 MH Series, in Canada.

This appliance is only for use with the type(s) of gas indicated on the rating plate. A conversion kit is supplied with the appliance.

This product is listed to ANSI standards for ANSI Z21.50b-2009 / CSA 2.22b-2009 Vented Gas Fireplaces CAN/CGA 2.17-M91 Gas-Fired Appliance for use At High Altitudes.

**WARNING!**

**NEVER LEAVE CHILDREN OR OTHER AT RISK INDIVIDUALS ALONE WITH THE APPLIANCE.**

## WARNING!

Due to high temperatures, the appliance should be located out of traffic and away from furniture and draperies.

Children and adults should be alerted to the hazards of high surface temperature and should stay away to avoid burns or clothing ignition.

## WARNING!

Young children should be carefully supervised when they are in the same room as the appliance. Toddlers, young children and others may be susceptible to accidental contact burns. A physical barrier is recommended if there are at risk individuals in the house. To restrict access to a fireplace or stove, install an adjustable safety gate to keep toddlers, young children and other at risk individuals out of the room and away from hot surfaces

## WARNING!

This appliance must be electrically wired and grounded in accordance with local codes or, in the absence of local codes, with National Electric Code ANSI/NFPA 70- latest edition or the Canadian Electric Code CSA C22.1.

A 110-120V AC circuit for this product must be protected with ground-fault circuit-interrupter protection, in compliance with the applicable electrical codes, when it is installed in locations such as in bathrooms or near sinks.

**Proposition 65 Warning: Fuels used in gas, wood burning or oil fired appliances, and the products of combustion of such fuels, contain chemicals known to the State of California to cause cancer, birth defects and other reproductive harm. California Health & Safety Code Sec. 25249.6. In the state of Massachusetts, only a licensed plumber and gas fitter may install this product. See Note for the Commonwealth of Massachusetts**

**State of California. Proposition 65 Warning.** Fuels used in gas, wood-burning or oil-fired appliances, and the products of combustion of such fuels, contain chemicals known to the State of California to cause cancer, birth defects and other reproductive harm. California Health & Safety Code Sec. 25249.6.

## FLARE FIREPLACES – FRAMELESS IN EVERY WAY

Flare Fireplaces is where innovation, quality and luxury come together to form new ideas. By combining superior raw materials, contemporary design, creative technology and a frameless way of thinking, we have created a full line of direct-vent fireplaces that are luxurious, simple to operate, and efficient. Our Fireplaces are distinguished by their clean design, superior build quality and unique features.

## SAFETY

### CSA CERTIFICATION

All our fireplaces are tested and have been certified to meet stringent CSA guidelines, ensuring optimum quality, safety and efficiency.

All our fireplaces have been certified and tested to work with Natural Gas or Propane.

Certification Information:

ANSI Z21.88/CSA 2.33-2014- Vented Gas Fireplace Heaters

CSA CLASSES:

CLASS 2901 84 / CLASS 2901 04

All fireplaces are rated for commercial and residential use.



### The CSA Mark

The Canadian Standards Association (CSA) is a nonprofit association serving business, industry, government and consumers in Canada and the global marketplace. Among many other activities, CSA develops standards that enhance public safety.

A Nationally Recognized Testing Laboratory, CSA is very familiar with U.S. requirements. **According to OSHA regulations, the CSA-US Mark qualifies as an alternative to the UL Mark.**

Here are some areas where CSA standards are applied:

- Canadian Electrical Code, Part III-Outside Wiring
- Electrical Engineering Standards
- Electromagnetic Compatibility

## MANUAL MODEL LIST & INFORMATION

The Following manual should be used for the following Flare Fireplaces Models:

- Flare Front 30-100 " – 16" (R), 24" (H), 30" (EH)
- Flare See-Through 30-100" – 16" (R), 24" (H), 30" (EH)
- Flare Corner Right & Left 30-100" – 16" (R), 24" (H)
- Flare Double Corner 30-100" – 16" (R), 24" (H)
- Flare Room Definer 45-100" – 16" (R), 24" (H), 30" (EH)

All models share the same gas valve system, remote, gas connection, and glass type, simplifying installation and operation.

All warnings and instructions apply to all models.

Refer to the model name for specific model, clearance and installation information.

Flare Fireplaces should only be connected to M&G DuraVent or ICC 4x6 or 5x8 venting system. Refer to the specific appliance model and size to determine vent size (Gas specification table) and chimney pathway requirements ([Chimney path installation & planning table](#)). For detailed chimney installation information please use the M&G DuraVent direct vent installation manual: <http://www.duravent.com>

For details on ICC direct vent installation, please use the ICC installation guide.

<http://icc-chimney.com/en/exceldirect-support>

This product is listed to ANSI standards for "Vented Gas Fireplace Heaters" and applicable sections of "Gas Burning Heating Appliances for Manufactured Homes and Recreational Vehicles", and "Gas Fired Appliances for Use at High Altitudes".

Installation MUST comply with local, regional, state and national codes and regulations. Consult insurance carrier, local building inspector, fire officials or authorities having jurisdiction over restrictions, installation inspection and permits.

This installation must conform to local codes. In the absence of local codes, you must comply with the National Fuel Gas Code, ANSI Z223.1-latest edition in the U.S.A. and the CAN/CGA B149 Installation Codes in Canada.

Improper installation, adjustment, alteration, service or maintenance can cause injury or property damage. For assistance or additional information, consult a qualified service technician, service agency or your dealer.

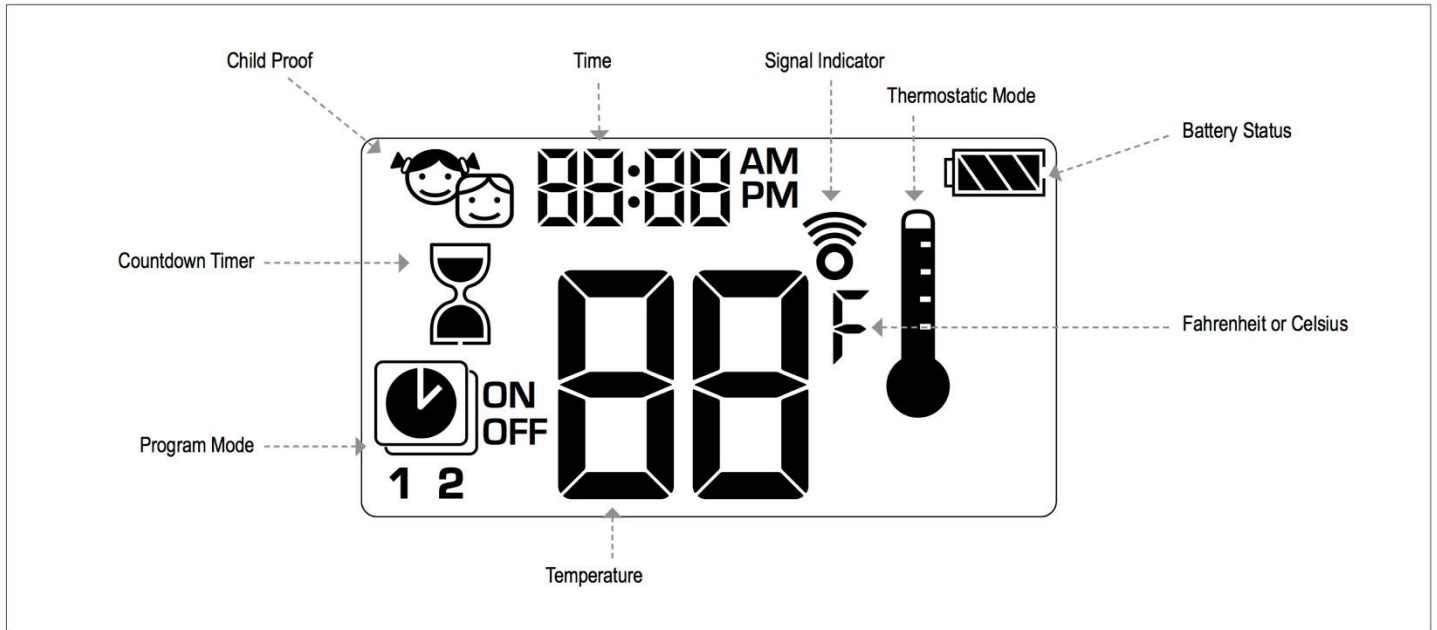


**FLARE REQUIRES INSTALLATION BE PERFORMED BY AN NFI CERTIFIED INSTALLER, OR A CERTIFIED FLARE DEALER. INSTALLATIONS THAT DO NOT FOLLOW THIS INSTRUCTION WILL NOT BE COVERED BY WARRANTY OR SERVICED.**





## FIREPLACE OPERATION

### REMOTE CONTROL INSTRUCTIONS



#### SETTING FAHRENHEIT or CELSIUS






To change between °C and °F, press  and  buttons simultaneously.

**NOTE:** Choosing °F results in a 12 hour clock. Choosing °C results in a 24 hour clock.

#### CHILD PROOF


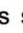



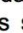

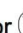
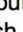
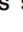



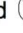


**ON:**  
To activate press  and  buttons simultaneously.  displayed and the handset is rendered inoperable, except for the off function.

**OFF:**  
To deactivate press  and  buttons simultaneously.  disappears.

#### SETTING the TIME

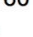


1. Press  and  buttons simultaneously. **Day** flashes.
2. Press  or  button to select a number to correspond with the day of the week (e.g. 1=Monday, 2=Tuesday, 3=Wednesday, 4=Thursday, 5=Friday, 6=Saturday, 7=Sunday).
3. Press  and  buttons simultaneously. **Hour** flashes.
4. To select hour press  or  button.
5. Press  and  buttons simultaneously. **Minutes** flash.
6. To select minutes press  or  button.
7. To confirm press  and  buttons simultaneously or wait.

#### MANUAL MODE (HANDSET)

##### NOTICE

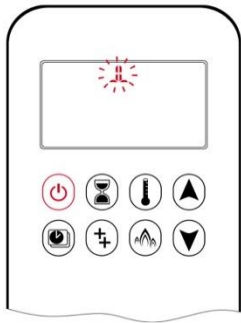
##### BEFORE OPERATING

1. Make sure MANUAL knob on the GV60 valve is in the **ON**, full counterclockwise  position.
2. Place the ON/OFF switch (if equipped) in the **I (ON)** position.


#### TO TURN ON FIRE

##### ⚠ WARNING


When pilot ignition is confirmed, motor turns automatically to maximum flame height.



### Handset One-Button Operation (Default Setting)



- Press  button until two short beeps and a blinking series of lines confirms the start sequence has begun; release button.
- Main gas flows once pilot ignition is confirmed.
- Handset automatically goes into Manual Mode after main burner ignition.

#### NOTICE


Change from one-button to two-button ignition operation by pressing and holding  button for 10 sec. immediately after installing batteries. **ON** is displayed and **1** is flashing. When change is complete **1** will change to **2**.



### Handset Two-Button Operation

- Press  and  button simultaneously until two short beeps and a blinking series of lines confirms the start sequence has begun; release buttons.
- Main gas flows once pilot ignition is confirmed.
- Handset automatically goes into Manual Mode after main burner ignition.



#### NOTICE



Change from two-button to one-button ignition operation by pressing and holding  button for 10 sec. immediately after installing batteries. **ON** is displayed and **2** is flashing. When change is complete **2** will change to **1**.

### AUXILIARY FEATURE (2ND BURNER FEATURE)

The latching solenoid valve will open automatically after ignition or after switching the system off, so that the maximum flow of gas is supplied to both burners assisting with the ignition process. After pressing the AUX-Button the motor will turn 7 seconds in the ON direction until the max. position is reached.




**ON:**  
To switch a burner on, press the  button.  displayed.

**OFF:**  
To switch the burner off, press the  button.  disappears.

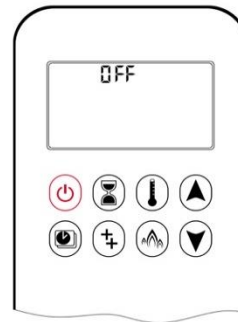
**NOTE:** The latching solenoid valve cannot operate manually. If the receiver battery runs down it will remain in the last operating position.

### STANDBY MODE (PILOT FLAME)

#### Handset

- Press and hold  button to set appliance to pilot flame.

### TO TURN OFF FIRE

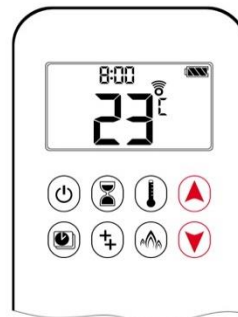


#### Handset



- Press  button to turn OFF.

**NOTE:** There is a 5 sec delay before the next ignition is possible.

### FLAME HEIGHT ADJUSTMENT

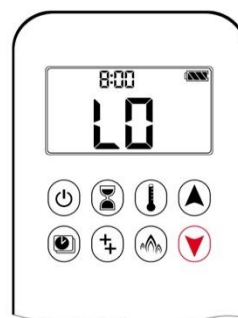



#### Handset

- To increase flame height press and hold  button.
- To decrease flame height or to set appliance to pilot flame, press and hold  button.

### DESIGNATED LOW FIRE and HIGH FIRE

**NOTE:** Backlight must be on for high fire and low fire double-click operation.



- To go to low fire, double-click  button. **LO** is displayed.

**NOTE:** Flame goes to high fire first before going to low fire.



#### Eco Mode

Flame height modulates between high and low. If the room temperature is lower than the set temperature, the flame height stays on high for a longer period of time. If the room temperature is higher than the set temperature, the flame height stays on low for a longer period of time. One cycle lasts approx. 20 min.

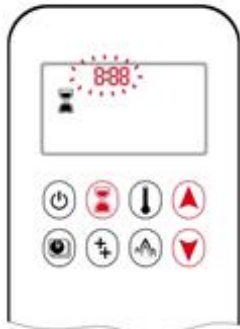


- To go to high fire, double-click ▲ button. HI is displayed.

### ▲ WARNING

If the appliance will not operate, follow the instructions "TURN OFF GAS TO APPLIANCE"

### COUNTDOWN TIMER



#### ON/SETTING:

1. Press and hold ⏸ button until ⏸ displayed, and **hour** flashes.
2. To select hour press ▲ or ▼ button.
3. To confirm press ⏸ button. **Minutes** flash.
4. To select minutes press ▲ or ▼ button.
5. To confirm press ⏸ button or wait.

#### OFF:

Press ⏸ button, ⏸ and countdown time disappear.

**NOTE:** At end of countdown time period, the fire turns off. The Countdown Timer only works in Manual, Thermostatic, and Eco Modes. Maximum countdown time is 9 hours and 50 minutes.

### MODES of OPERATION



#### ↓ Thermostatic Mode

The room temperature is measured and compared to the set temperature. The flame height is then automatically adjusted to achieve the set temperature.



#### 🕒 Program Mode

PROGRAMS 1 and 2, each can be programmed to go on and off at specific times at a set temperature.

### THERMOSTATIC MODE



#### ON:

Press ↓ button. ↓ displayed, preset temperature displayed briefly, and then room temperature displayed.

#### OFF:

1. Press ↓ button.
2. Press ▲ or ▼ button to enter Manual Mode.
3. Press 🕒 button to enter Program Mode.



#### SETTING:

1. Press ↓ button and hold until ↓ displayed, temperature flashes.
2. To adjust set temperature press ▲ or ▼ button.
3. To confirm press ↓ button or wait.

### PROGRAM MODE



#### ON:

Press 🕒 button. 🕒, 1 or 2, ON or OFF displayed.



- OFF:**
1. Press or or button to enter Manual Mode.
  2. Press button to enter Thermostatic Mode.

**NOTE:** The set temperature for Thermostatic Mode is the temperature for the on time in Program Mode. Changing the Thermostatic Mode set temperature also changes the on time temperature in Program Mode.

**Default settings:**

ON TIME (Thermostatic) TEMPERATURE: 21°C (70°F)  
 OFF TIME TEMPERATURE: “--” (pilot flame only)



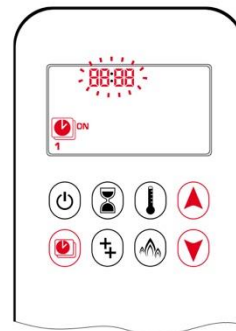
- TEMPERATURE SETTING:**
1. Press button and hold until flashes. **ON** and set temperature (setting in Thermostatic Mode) displayed.
  2. To continue press button or wait. , **OFF** displayed, temperature flashes.
  3. Select off temperature by pressing the or button.
  4. To confirm press button.

**NOTE:** The on (Thermostatic) and off set temperatures are the same for each day.

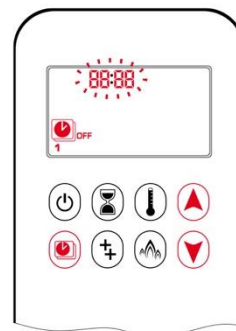


- DAY SETTING:**
5. **ALL** flashes. Press or button to choose between **ALL**, **SAT-SUN**, 1, 2, 3, 4, 5, 6, 7.
  6. To confirm press button.

**ALL selected**



- ON TIME SETTING (PROGRAM 1):**
7. , **1**, **ON** displayed, **ALL** is displayed shortly, and **hour** flashes.
  8. To select hour press or button.
  9. To confirm press button. , **1**, **ON** displayed, **ALL** displayed shortly, and **minutes** flash.
  10. To select minutes press or button.
  11. To confirm press button.



- OFF TIME SETTING (PROGRAM 1):**
12. , **1**, **OFF** displayed, **ALL** is displayed shortly, and **hour** flashes.
  13. To select hour, press or button.
  14. To confirm press button. , **1**, **OFF** displayed, **ALL** displayed shortly, and **minutes** flash.
  15. To select minutes press or button.
  16. To confirm press button.

**NOTE:** Either continue to PROGRAM 2 and set on and off times or stop programming at this point, and PROGRAM 2 remains deactivated.

**NOTE:** PROGRAM 1 and 2 use the same on (Thermostatic) and off temperatures for **ALL**, **SAT-SUN** and Daily Timer (1, 2, 3, 4, 5, 6, 7). Once a new on (Thermostatic) and/or off temperature has been set, that temperature becomes the new default setting.

**NOTE:** If **ALL**, **SAT-SUN** or Daily Timer are programmed for PROGRAM 1 and PROGRAM 2 on and off times, these become the new default times. The batteries must be removed to clear the PROGRAM 1 and PROGRAM 2 on and off times and temperatures.

**SAT-SUN or Daily Timer (1, 2, 3, 4, 5, 6, 7) selected**

- Set on time and off time using same procedure as “**ALL selected**” (above).
- **SAT-SUN**: Set on time and off time for both Saturday and Sunday.
- **Daily Timer**: Unique on and off times may be set for a single day of the week, for multiple days of the week, or for every day of the week.
- Wait to finish setting.

**NOTE:** The location of the remote control handset is important to assure proper temperature regulation. To obtain a constant temperature. Flare recommends that the handset should be between 3 and 15 feet away from the appliance but not directly above it. We also advise that the handset should be located away from any other heat source and not in direct sunlight as this may affect the temperature sensor located in the remote handset.

## RECEIVER AND REMOTE BATTERIES

### Batteries – Remote

- 2 x AAA (alkaline recommended).
- Low battery indicator on handsets with display.
- Battery replacement is recommended after 2 years.

### Batteries – Receiver

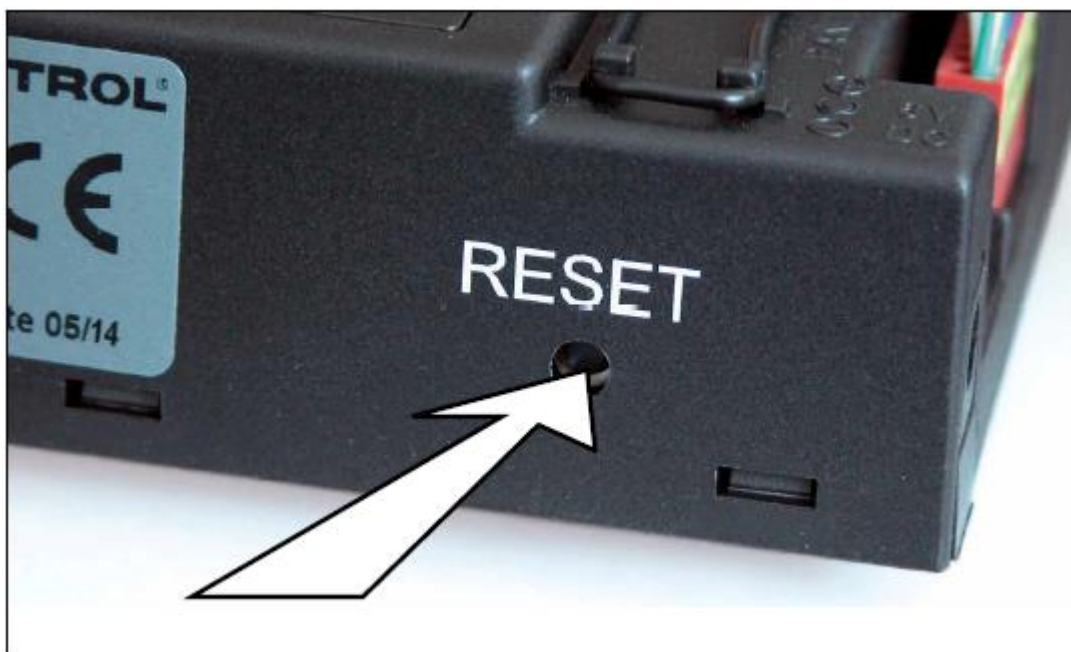
- 4 x 1.5 V “AA” (alkaline ONLY).
- Low battery indication: frequent beeps for 3 seconds when motor turns.
- An AC Mains Adapter may be connected in addition to batteries.
- Without using a mains AC adapter, battery replacement is recommended at the beginning of each heating season as part of the yearly service check.

**CAUTION:** DO NOT USE a screwdriver or other metallic object to remove the batteries from the battery box! This could cause a short circuit to the system.

## PAIRING REMOTE WITH FIREPLACE RECEIVER

Your remote will come paired with the fireplace receiver to allow for operation out of the box. In the event of remote or receiver replacement, use the following procedure to pair the remote with the receiver:

- Press and hold the receiver’s reset button (see figure 21) until you hear two (2) beeps. The first beep is short, and the second beep is long. After the second beep, release the reset button.
- Within the subsequent 20 seconds, press the (Down Arrow) button on the handset until you hear two additional short beeps confirming the code is set. If you hear one long beep, this indicates the code learning sequence has failed or the wiring is incorrect.



## WALL SWITCH – OPTIONAL

The Wall Switch can be used to control your fireplace.

The following operations can be done from the wall switch:

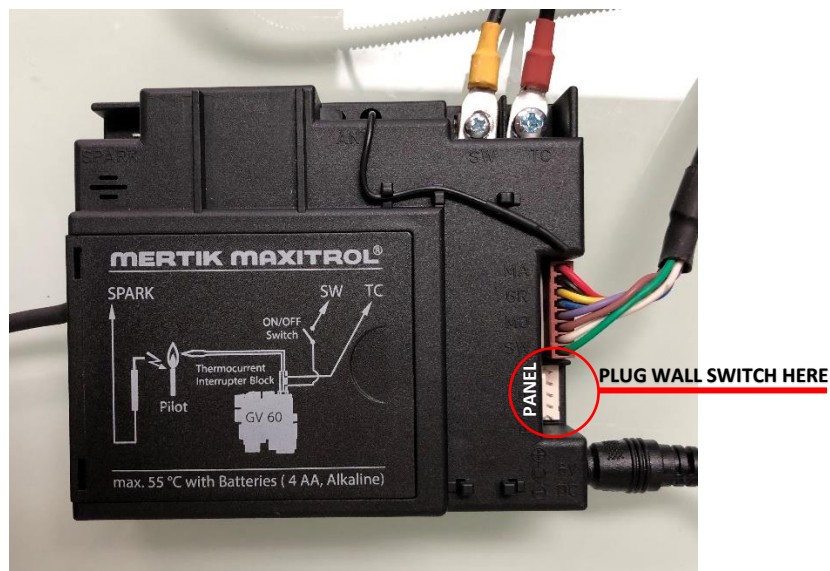
- Turn On fireplace.
- Turn Off fireplace.
- Increase the flame height.
- Decrease the flame height.



Note that the thermostat and programming functions are not available with the wall switch.

The fireplace receiver will respond to both the wall switch or remote commands, regardless of what was used to originally turn the system on.

The Wall switch is an optional item and is equipped with a 20-foot cable.



## MEDIA ARRANGEMENTS

Flare Fireplaces can be equipped with different media types. Follow the instructions below for information on how to add and arrange media in your Fireplace:

- Do not place any type of media on the pilot or in front of the pilot. Keep **1"** distance from the pilot to allow correct operation of the pilot.
- Media can be put over the Flare burner. Avoid placing media over the main burner ports as it may disrupt flame in case of a clogged port. Avoid placing driftwood arching over burner, instead place in front or behind.
- If using media that was not supplied by Flare Fireplace, make sure that the media is certified/suitable to be used in direct vent gas fireplaces.
- Keep the pilot front cover view open to be able to view the pilot spark and flame from outside.
- Fireglass:
  - a.  $\frac{1}{4}$ " or  $\frac{1}{2}$ " Fire Glass may be used.
  - b. When the fireplace viewing window is open, and media is placed, make sure Fire Glass does not fall on the ceramic glass lower frame as that may cause breakage when putting back the ceramic glass.
  - c. Make sure pilot is clear of any Fire Glass particles.
  - d. Flare Fire Glass can be put safely in to the firebox. Avoid overloading the burner with Fire Glass, specifically over the main burner ports.
- Maintain minimum distance of  $\frac{1}{4}$ " from media to the fireplace glass panels.
- Use the manual for instructions on how to remove, replace, & arrange the fireplace glass media

### PROPER DRIFTWOOD PLACEMENT



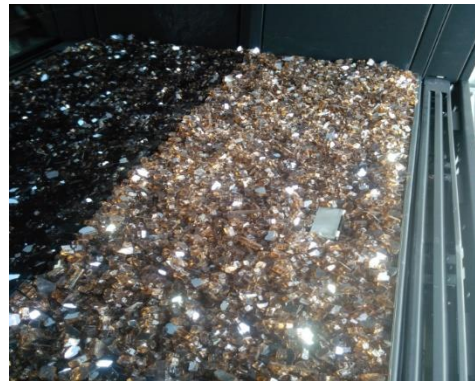
Ceramic Pebbles



### IMPROPER DRIFTWOOD PLACEMENT



Fireglass



**CHOKING HAZARD!** Ensure that the fireplace area is clear of fire glass particles as these could be ingested by small children. Vacuum area after installation.

**MEDIA CALCULATIONS**

Please follow the below described quantities of media placement in your firebox. Please note, over saturation of media throughout the firebox may result in improper combustion or Soot within the fireplace or termination cap.

Flare Front								
Size	Glass	Diamond/ Rain Drops	Ceramic Pebbles	Wood	Earth Pebbles	Branches		Embers
30	6 Lbs	10 Lbs	2 Boxes	5 Pcs	9 Bags	4 Small	3 Large	1 Bag
45	11 Lbs	13 Lbs	3 Boxes	7 Pcs	12 Bags	6 Small	3 Large	1.5 Bags
50	12 Lbs	18 Lbs	4 Boxes	9 Pcs	15 Bags	7 Small	5 Large	2 Bags
60	15 Lbs	20 Lbs	5 Boxes	11 Pcs	17 Bags	9 Small	6 Large	2.5 Bags
70	17 Lbs	22 Lbs	5 Boxes	12 Pcs	18 Bags	10 Small	6 Large	3 Bags
80	21 Lbs	26 Lbs	6 Boxes	14 Pcs	22 Bags	11 Small	7 Large	3.5 Bags
100	25 Lbs	30 Lbs	7 Boxes	17 Pcs	26 Bags	12 Small	8 Large	4.5 Bags

Flare Corner								
Size	Glass	Diamond/ Rain Drops	Ceramic Pebbles	Wood	Earth Pebbles	Branches		Embers
30	7 Lbs	10 Lbs	2 Boxes	5 Pcs	9 Bags	4 Small	3 Large	1 Bag
45	10 Lbs	13 Lbs	3 Boxes	7 Pcs	12 Bags	6 Small	3 Large	1.5 Bags
50	11 Lbs	18 Lbs	4 Boxes	9 Pcs	15 Bags	7 Small	5 Large	2 Bags
60	14 Lbs	20 Lbs	5 Boxes	11 Pcs	17 Bags	9 Small	6 Large	2.5 Bags
70	16 Lbs	22 Lbs	5 Boxes	12 Pcs	18 Bags	10 Small	6 Large	3 Bags
80	19 Lbs	26 Lbs	6 Boxes	14 Pcs	22 Bags	11 Small	7 Large	3.5 Bags
100	23 Lbs	30 Lbs	7 Boxes	17 Pcs	26 Bags	12 Small	8 Large	4.5 Bags

Flare Room Definer								
Size	Glass	Diamond/ Rain Drops	Ceramic Pebbles	Wood	Earth Pebbles	Branches		Embers
45	12 Lbs	15 Lbs	4 Boxes	9 Pcs	14 Bags	8 Small	3 Large	1.5 Bags
50	14 Lbs	20 Lbs	5 Boxes	11 Pcs	17 Bags	9 Small	4 Large	2 Bags
60	17 Lbs	22 Lbs	6 Boxes	13 Pcs	19 Bags	11 Small	5 Large	2.5 Bags
70	20 Lbs	26 Lbs	7 Boxes	14 Pcs	20 Bags	12 Small	6 Large	3 Bags
80	24 Lbs	31 Lbs	8 Boxes	16 Pcs	24 Bags	13 Small	6 Large	3.5 Bags
100	29 Lbs	35 Lbs	9 Boxes	19 Pcs	28 Bags	14 Small	7 Large	4.5 Bags



## FEATURE REMOVAL

### SAFETY SCREEN REMOVAL

Follow the instructions below for safety screen removal.

PLEASE NOTE: Safety screen may be shipped separately from the appliance.

**The barrier is designed to reduce the risk of burns from the hot viewing glass and is provided with this appliance. It must remain installed for the protection of children and other at-risk individuals.**

**Do NOT operate the fireplace without the safety screen barrier.**

#### Front, See Through, and Corner Units

- Safety screen removal requires no tools.
- Push the top frame of the screen up until it clears the bottom of the opening.
- Tilt the bottom of the screen out and pull down so the top frame clears the opening.



## EXTERNAL GLASS REMOVAL – DOUBLE GLASS FIREPLACE

Follow the procedure below to remove and install back the fireplace external glass (double glass fireplace configuration).

**Note: Suction cups are needed to remove the glass.**

**Warning!** Turn off the fireplace and allow time for the unit to cool before proceeding.

**Caution:** The glass is very fragile and should be handled with care.

**Warning!** Double glass fireplace should NOT be operated without the external glass

- Confirm lock screws have been removed during install (should be done once, during install only).
- Attach glass suction cups to the glass. Use more than one suction cup if needed (any unit above 45”).
- Using suction cups, slightly push in the external glass top edge.
- Once glass has been pushed, slightly lift the glass to clear bottom part of the glass.
- Remove the glass and place in a secure location.

### Install back external glass



- Attach glass suction cups to the glass. Use more than one suction cup if needed (any unit above 45”)
- Place upper edge of the glass in position and push latching trim.
- Once trim has been pushed in, slide glass top in position.
- Tilt in bottom edge of the glass in position as you are lifting the glass up.
- Glass is now secure in place. No bolts are needed to lock the glass.



## INTERNAL GLASS REMOVAL

Follow the procedures below to remove and install the internal ceramic glass (double glass fireplace configuration).

**Note: Suction cups are needed to remove the glass.**

**Warning!** Turn off the fireplace and allow time for the unit to cool before attempting to remove the glass.

**CAUTION:** The ceramic glass is very fragile and should be handled with care.

**CAUTION:** Do not operate the appliance with glass removed, cracked or broken. Replacement of the panel(s) should be done by a licensed or qualified service person

Step 1 – Attach glass suction cups to the glass. Remove the glass' **lower magnetic trim**. Place the trim in a secure place. Any unit above 45" requires 2 suction cups to hold the glass.

Step 2 – Release the **lower glass trim**. The lower trim bolts can be released by hand and should not require any tools. Once bolts are released remove lower glass holder trim.

Step 3 – Hold the glass suction cups and hand release trim bolt on the top. The trim does not need to be removed and will only open to allow a gap for glass removal.

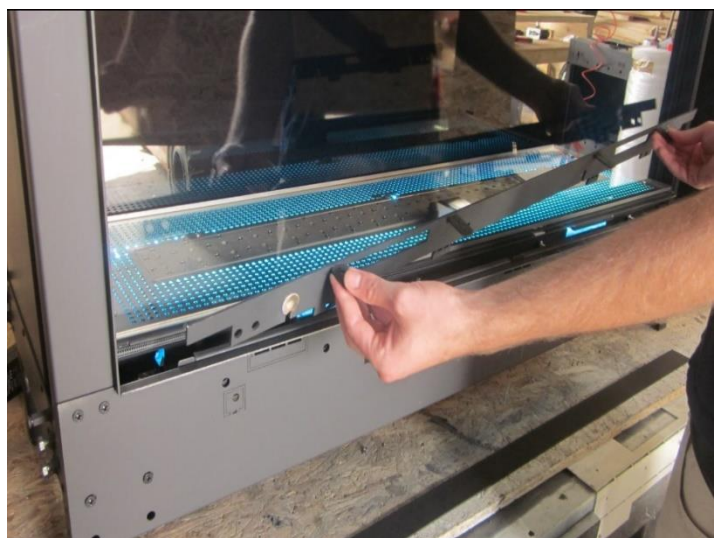
Step 4 – Push the glass up and clear it from the bottom as shown

**When putting the glass back, DO NOT overtighten the bolts or glass may break**

Step 1



Step 2



**Step 3**



**Step 4-1**



**Step 4-2**



**When putting back the glass, DO NOT overtighten the bolts or glass may break**

- Use step 4 – 1 for putting the glass back.
- Glass trim screws should be closed hand-tight. DO NOT overtighten the bolts or glass may break.

## SIDE GLASS TRIM REMOVAL / INSTALLATION – FLARE H & EH

The additional side trim piece for the H & EH models is installed differently than the standard height unit's side trim pieces & has additional steps required to remove & apply it successfully.

All work should be done with a **cold fireplace**, fireplace appliance turned off and manual gas valve shutoff. **Unplug the fireplace from any electric power (Double Glass Units)**

The below picture shows the right-side glass trim



Step 1: Using a drill, untighten the screw that is located at the right top of the trim side as shown in picture below



Step 2: Move the right trim glass to the left as shown in picture below



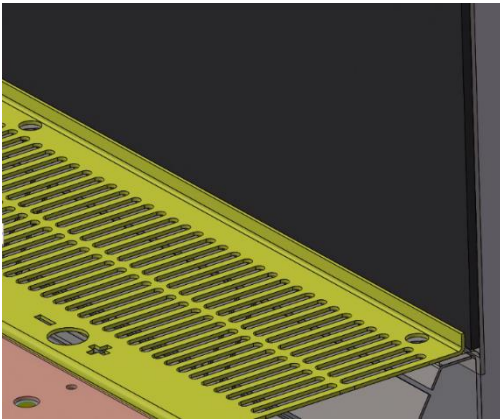
Step 3: Remove the lower side of the trim slowly as shown in picture below



## REFLECTIVE BACK INSTALL

The Flare Fireplace may be ordered with a reflective ceramic glass backing. The ceramic glass is tinted black to create a reflection when the fireplace is running. The ceramic glass will enhance and protect the fireplace look and is very easy to clean.

The reflective back is shipped outside the unit, inside a sleeve with the other glass panes. It should be mounted at the back of the fireplace, placed in the gap between the fire bed (shown yellow below) and held by the top mounting brackets (red circle).



Carefully carry the reflective back using suction cups, and place at a 45-degree angle as shown below.



Screw the mirror clamp as shown below, make sure you do not over-tighten the screw, & leave 1" of the screw length out.



## INSTALLATION STEPS

1. Prior to starting the installation, make sure you read and understand all **WARNING** information in the manual. Do not start the installation if you are unclear about any of the installation related subjects.
2. Determine the following:
  - The vent system configuration to be used based on the fireplace location. Follow the manual venting section ([Chimney path installation & planning tables](#)) to determine the venting requirements and setting.  
**Note:** Venting requirements are model specific.  
**Note:** Make sure the vent requirements are supported by the Flare manual and installation instruction.
  - Clearance requirements from combustible and non-combustible materials. Follow the [clearance instruction and example](#) in the manual.  
**Note: Clearance instructions and examples are model specific.**
  - Gas supply piping.
  - Confirm if the fireplace is going to operate using Natural Gas (NG) or Propane. Use the attached product label to confirm the fireplace is set for the expected gas type.
  - Electrical wiring requirements.
  - Framing and finishing details.
3. Unpack the fireplace box, adjust telescopic legs and place in the upright position. [Follow instruction for fireplace unpacking.](#)
4. Put the Fireplace in the desired location. Verify clearance to non-combustible and combustible materials. Follow the [clearance instruction](#) and example in the manual.
5. For LED units, connect LED system and test LED.
6. Attach the units back bracket to the wall framing.
7. For double glass units only: remove glass locking screws and discard.
8. Adjust Fireplace [vent restrictor](#) based on vent configuration and planning guide. Document vent restrictor setup here: \_\_\_\_\_.
9. Connect vent system to the Fireplace.
10. Connect gas ([Gas connection section](#)) line to the Fireplace and verify gas inlet and outlet pressure. Measure and document gas pressure here: Inlet \_\_\_\_\_ W.C.
11. Confirm if adjustments for [high altitude](#) are needed (Installation at above 2000 Ft from sea level).
12. Connect electrical wiring for applicable units.
13. Insert and place Fireplace media. Use [media arrangement](#) guide from the manual.
14. Verification of:
  - Ignition and pilot system.
  - Burning and flame.
15. Complete framing and wall cover.

**Read all the instructions before starting the installation. Follow these instructions carefully during the installation to ensure maximum safety and benefit.**

**Follow the Steps above to insure proper installation of the Gas appliance.**

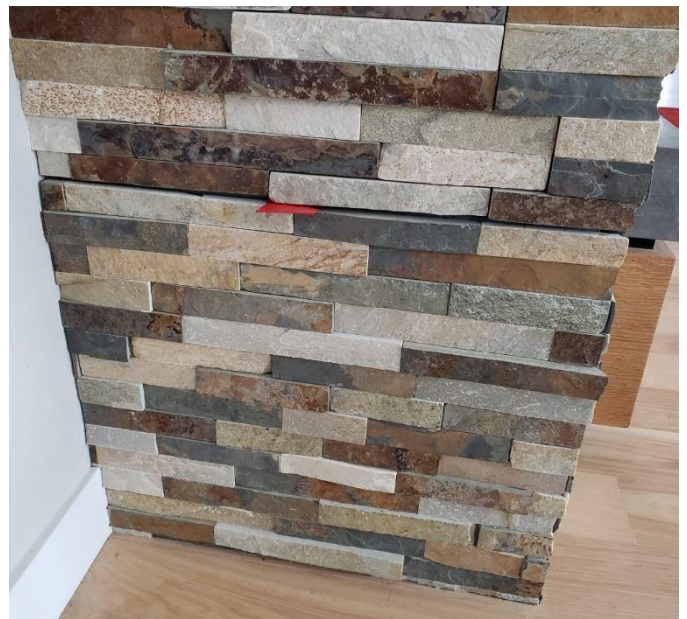
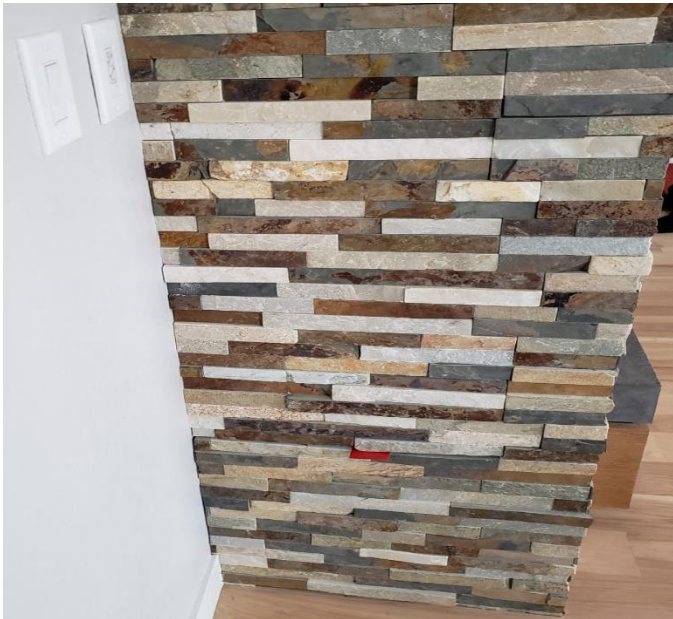
**WARNING! Risk of Fire or Explosion! Damaged parts could impair safe operation. DO NOT install damaged, incomplete or substitute components.**

## INSTALLATION PREPARATION

### ACCESS PANEL

Flare recommends you build an access panel somewhere near the fireplace. This will provide easy access to all the necessary parts that may need servicing, over time. While Flare also offers access to these components by going inside the fireplace, with instructions [HERE](#), you will find having a dedicated area where all your components can be easily accessed for servicing, without the need to remove the glass, media, & burner is the preferred method.

#### HIDDEN ACCESS PANEL EXAMPLE





## FIREPLACE UNPACKING

Follow the instructions below for unpacking the unit:

- Check the packing and confirm there is no external damage. **If damage exists, please notify Flare Fireplaces immediately.**
- Remove the top wood studs and pull the external carton box up.
- Please do not remove the blue wrap completely at this stage.
- Leave the fireplace placed on the pallet for the next step: Fireplace legs setup.



## FIREPLACE TELESCOPIC LEGS SETUP

The fireplace legs will need to be set up once box is removed. The legs can be configured so that the bottom of the glass will be between 10"-19" above the floor. This means the bottom of the fireplace will be 4"-13" above the floor. Follow the steps below for telescopic legs setup prior to final positioning of the fireplace.

On Corner units (Flare-RC/LC/DC/RD) front legs will need to be assembled.

Fireplace must NOT be installed without telescopic legs extended to a minimum of 3".

Installing fireplace without telescopic legs is a fire hazard.

Installing the Fireplace without legs (sitting on the fireplace frame) may bend the frame & cause glass breakage.

### Fine Tuning

After extending the legs to the desired length, use the wrench included to fine tune the feet so that the fireplace is level.

**Note** that the feet are intended for minimal adjustments and not to be extended completely for extra height. Doing so will make the fireplace unstable.



## LEG SETUP FOR FRONT AND SEE THROUGH UNITS

- Step1 - Release the pin.
- Step2 – Release the 2 screws from the leg.
- Step 3 – Extend the telescopic leg to the desired length, minimum 4” (That will set the fireplace 10” from the bottom of the glass to the floor).
- Step 4 – Retighten the three screws to secure the telescopic leg in position. Note that the top pin inserts into the holes only for alignment. The two bottom screws tighten down on the legs.
- Step 5 – Repeat Steps 1-4 for each on the fireplace so that they are all extended to the same length.
- Step 6 – Stand the fireplace up and fine tune the feet with the wrench included so the fireplace is level. Open the screws to raise the fireplace. Close the screws to lower the fireplace.

**Step 1**



**Step 2**



**Step 3**

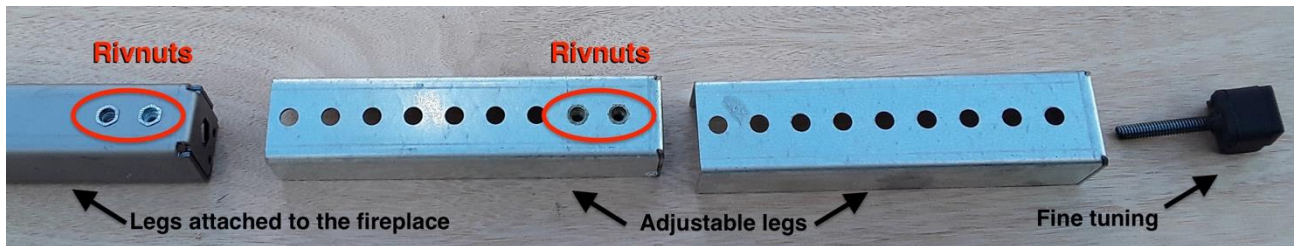


**Step 4**

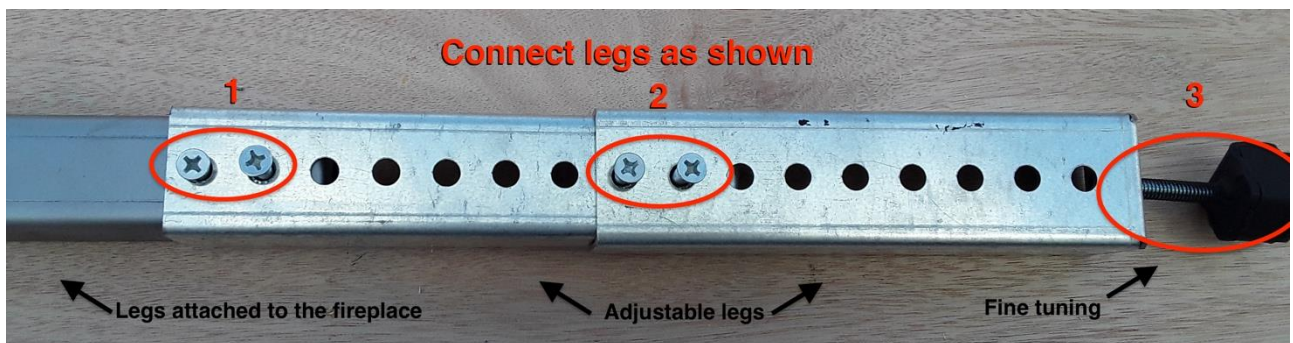
## LEG SETUP FOR CORNER UNITS

Included are 4 screws, 2 adjustable legs, 1 foot for fine tuning, and 1 special wrench for adjusting the feet while the fireplace is standing.

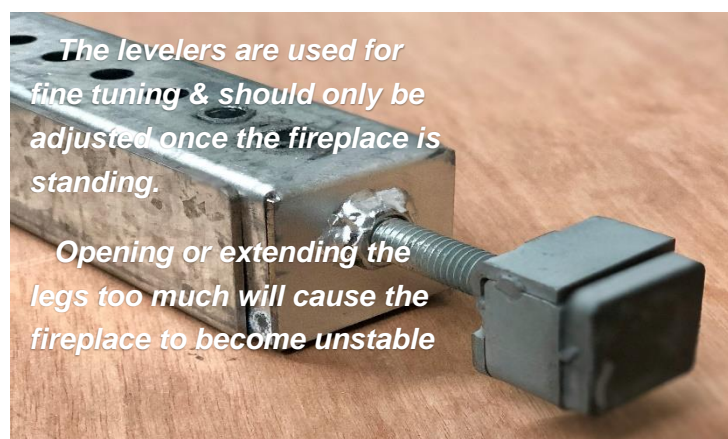
- First, identify the correct order to connect the legs. The first adjustable leg that attaches to the fireplace has Rivnuts as seen in the image below. The second adjustable leg has a place for the foot to be screwed in on the bottom as seen in the images below.



- Next, determine which holes to insert the 4 screws so that the fireplace will stand at the desired height after the foot for fine tuning is also screwed in.
- Insert the 4 screws into the holes and Rivnuts beneath and tighten. Screw in the foot so that it can later be adjusted to slightly raise or lower the fireplace.
- Configure remaining legs to the same height.



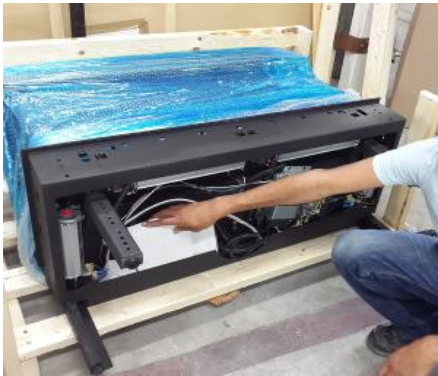
- Stand the fireplace up and fine tune the feet with the wrench provided so the fireplace is level. Open the screws to raise the fireplace. Close the screws to lower the fireplace.



**UNPACKING CONTROL UNIT AND ACCESSORIES**

Unpack the accessories (remote, power adapter & wall switch). The gas valve, receiver, control module (for double glass units) will remain wrapped until first test of unit

- Place accessories (white bag) in a secure location.
- The control unit (gas valve and receiver) is attached to the fireplace on an “umbilical cord”. Once fireplace is moved to its final location the control unit can be put close to the service access door.



**Gas valve and receiver:**

**\*\*\*GAS VALVE WILL COME WRAPPED, ONLY TO BE OPENED FOR UNITS FIRST FIREUP**



**Optional control module for double glass units.**

## FIREPLACE POSITIONING

Once Fireplace has been set to the upright position, it can be moved to its final installation location.

- Make sure the control unit is secure and not dragging on the floor during transport and positioning.
- Unit should remain on the pallet during transport inside the site location.
- When positioning the fireplace, take into consideration the clearance requirements and framing. Use the manual clearance guide for more details.
- Attach the fireplace top brackets to the metal stud in the back to secure the fireplace in place. The bracket length can be adjusted by releasing the screws on the top.



Fireplace should remain on the wood pallet when carried to final installation location.

Do not attempt to use a pallet jack or any other moving tools if the unit has been removed from the wood pallet as it may harm the fireplace components under the unit.



Make sure to use only non-combustible material in case top the brackets need to be extended to connect to the back or sides.

## LED LIGHTS

The Flare Fireplace can be ordered with optional multi-color interior RGB LED lighting. The lights allow perfect flames to be viewed across a bed of illuminated crushed glass, or any other direct vent approved media option.

**RGB LED** – The multi colored option is controlled by a remote for the color selection. Once the color has been selected by the operator, the LED memory will remember that color for the next time the unit is turned on.



### **LED Operation:**

#### **Option 1 – Double Glass unit**

- LED power is connected to the Flare control system (Labeled in picture above as LED Power Outlet, and below as [Connection C](#))
- LED will turn On and Off with the fireplace, controlled by the fireplace remote or wall switch.
- Color control can be done by the LED remote.
- Once a color is selected, the LED remote can be stored away.
- LED to be switched Off when fireplace is turned off.
- **LED cannot be switched on when fireplace is off.**

#### **Option 2 – Screen or Double Glass**

- LED can be connected to independent power source, home automation system or smart outlet.
- LED can be turned ON/OFF from LED remote, independent from the fireplace.
- LED can be turned on, even when fireplace is off.

## LED LIGHT INSTALL AND POWER

It is best if LED lights are connected and tested during the initial stages of installation to allow easy access under the unit (before the wall finishing material is done).

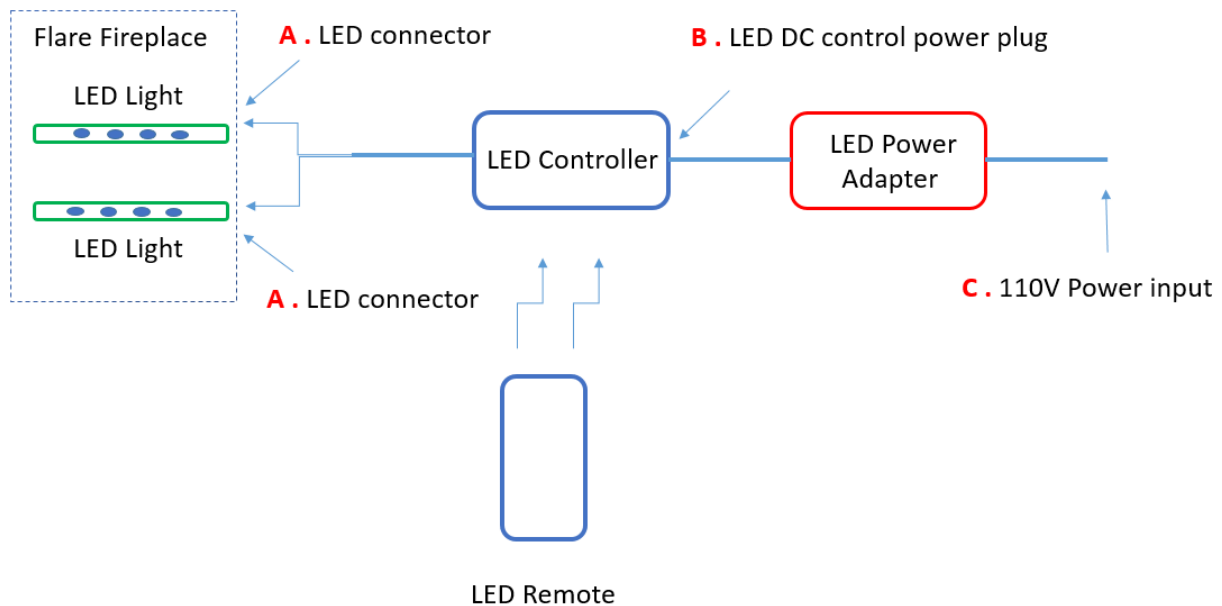
Testing the LED light requires a 110V power source.

Installation steps:

1. Remove all LED components from the shipping bag.
2. Components are pre-connected prior to shipping. Connect LED connectors (points **A**) to the fireplace using the quick connect connectors.
3. Connect LED control system to the power supply (point **B**)
4. Connect LED Power supply to an external power source (point **C**). Do not connect the LED to the Flare control LED plug at this point. Use the LED remote to turn the LED on the LED system.

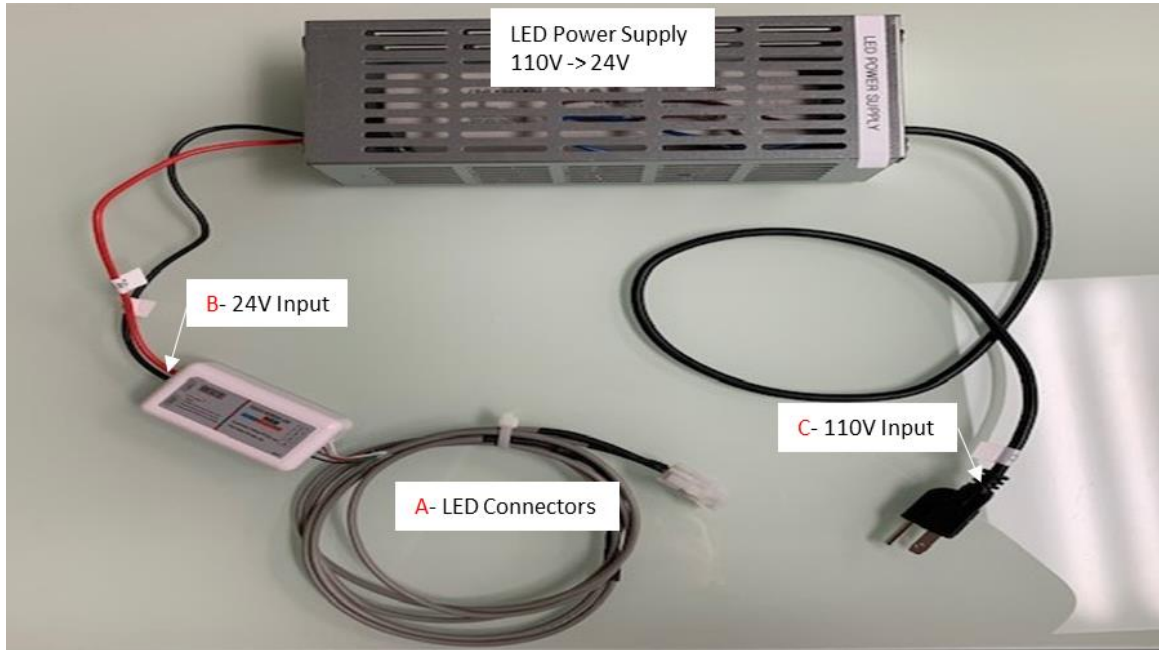
Once testing is done, connect the LED power adapter to final power source (Point **C**), Option 1 or Option 2 as detailed in the previous page.

Power outlet on the Flare control is optional for LED ONLY





LED CONTROLLER AND REMOTE

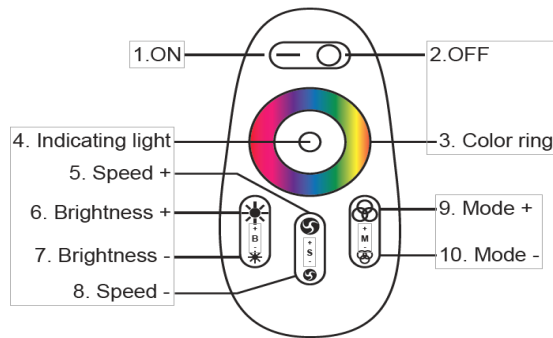


**Product Specification**

The Flare high-performance RGB LED touch remote controller adopts the most advanced PWM control technology. This remote controls all RGB LED products with 4 lines of circuits (COMMON ANODE), owning 64 thousand colors & 20 automatic changing modes to choose from. **RBG Strip is using 24V DC power adapter.**

<b>REMOTE</b>	MATERIAL	110x52x20mm
	POWER	AAA Battery *2pcs
	MATERIAL	ABS
	FABRICATION PROCESSING	Multicolor Printing & UV Varnish
<b>CONTROLLER</b>	SIZE	85x45x23mm
	WORKING VOLTAGE	DC12V~24V
	CONTROL WAY	RGB 3 CHANNELS
	MAX LOAD PER CHANNEL	6A
	OUTPUT CONNECTION	COMMON ANODE
	TELECONTROL DISTANCE	30 METERS
	PROGRAMS	20 KINDS





**Mode selection and remote**

NUMBER	MODE	BRIGHTNESS STATE	SPEED STATE
1	STATIC WHITE	ADJUSTABLE	UNADJUSTABLE
2	WHITE COLOR GRADUAL CHANGES	ADJUSTABLE	ADJUSTABLE
3	ALL COLORS GRADUAL CHANGES	ADJUSTABLE	ADJUSTABLE
4	RED/GREEN/BLUE 3 COLORS GRADUAL CHANGE	ADJUSTABLE	ADJUSTABLE
5	7 COLORS JUMP TO CHANGE	ADJUSTABLE	ADJUSTABLE
6	3 COLORS JUMP TO CHANGE	ADJUSTABLE	ADJUSTABLE
7	RED/GREEN JUMPS TO CHANGE	ADJUSTABLE	ADJUSTABLE
8	REB/BLUE JUMPS TO CHANGE	ADJUSTABLE	ADJUSTABLE
9	BLUE/GREEN JUMPS TO CHANGE	ADJUSTABLE	ADJUSTABLE
10	WHITE COLOR FREQUENTLY BLINKS	ADJUSTABLE	ADJUSTABLE
11	WHITE COLOR GLITTERS	ADJUSTABLE	ADJUSTABLE
12	RED COLOR FREQUENTLY BLINKS	ADJUSTABLE	ADJUSTABLE
13	RED COLOR GLITTERS	ADJUSTABLE	ADJUSTABLE
14	GREEN COLOR FREQUENTLY BLINKS	ADJUSTABLE	ADJUSTABLE
15	GREEN COLOR GLITTERS	ADJUSTABLE	ADJUSTABLE
16	BLUE COLOR FREQUENTLY BLINKS	ADJUSTABLE	ADJUSTABLE
17	BLUE COLOR GLITTERS	ADJUSTABLE	ADJUSTABLE
18	YELLOW COLOR FREQUENTLY BLINKS	ADJUSTABLE	ADJUSTABLE
19	YELLOW COLOR GLITTERS	ADJUSTABLE	ADJUSTABLE
20	CIRCULATION MODE		

**Code Matching:**

Please follow the instructions below:

- Confirm it is correctly connected between power supply, LED controller & LED load.
- Switch the power off, then switch it on again, & press key 5 once (within 3 seconds) the moment you see the light is on.
- The LED will blink twice slowly when it is completed.

**Code Clearing:**

The code can be cleared as needed. The kit (remote & controller) will stay in the original state after code clearing and can work again when code re-matching is done.

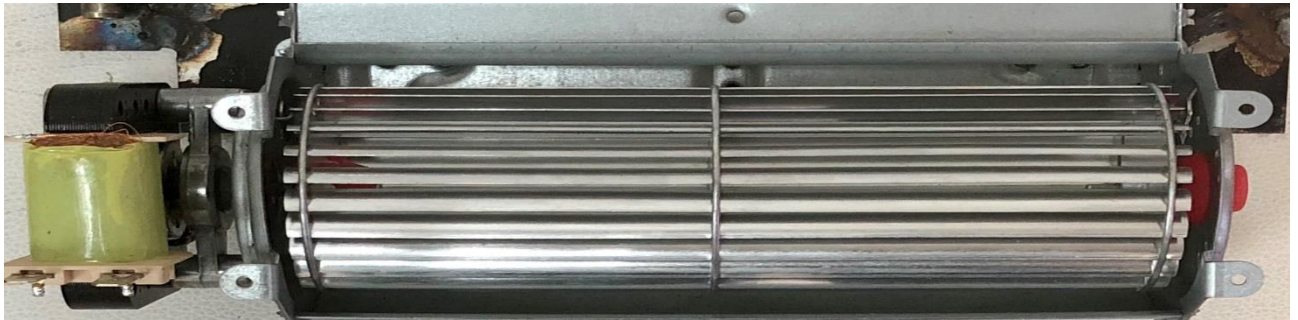
**Please follow the instructions below:**

Confirm it is correctly connected between power supply, LED controller & LED load.

- Switch the power off, then switch it on again, & long press key 5 (within 3 seconds) the moment you see the light is on.
- The LED blinks 9 times swiftly when completed.

## OPTIONAL BLOWER KIT FOR SCREENED UNIT

The Flare silent blower kit ships standard on all Double Glass units, keeping the glass cooler to the touch, but can also be added to a safety screened unit to circulate more heat from the front of the fireplace into the room.



On a Flare screen unit, the blowers will be installed and delivered with an 110V Plug. The operation of the blowers is controlled with a power ON/Off to the outlet they are connected to.

The customer has the option to:

- Install a smart outlet to control the blowers
- Use a wall switch to start & shutdown the blowers whenever they want. An electrician will need to wire the wall switch to control the power to the fireplace fans.
- Buy a remote system for the outlet.

Please note that the blowers will need air intake to work. (Same requirements for double glass) For reference to the air intake specifications for your unit please see pg. 74 of Flare Install Manual.

## VENT TERMINATION

Framing for vents in combustible walls and ceilings:

When passing through combustible walls and ceilings, framing will depend on the type of vent installation -- horizontal or vertical. Ensure that the insulation is kept clear of the vent pipe using either a wall thimble or an attic insulation shield. Follow the installation instructions supplied with the individual venting components.

**These instructions should be used as a guideline and do not supersede local codes in any way. Install venting according to local codes, these instructions, the current National Fuel Gas Code (ANSI-Z223.1) in the USA or the current standards of CAN/CSA-B149.1 in Canada.**

**Approved Pipe** - This appliance is approved for use with M&G DuraVent venting and ICC.

DO NOT mix pipe, fittings or joining methods from different manufacturers.

For detailed DuraVent chimney installation information please use the M&G DuraVent direct vent installation manual:

<http://www.duravent.com>

For detailed ICC chimney installation information please use the ICC direct vent installation manual:

<http://icc-chimney.com/en/exceldirect>

### **Instructions**

- Where a vent pipe passes through a floor or ceiling, a ceiling firestop **MUST** be used to retain insulation and maintain proper clearances. Use roof support brackets where needed.
- Install the first section of vent pipe into the collar on top of the fireplace.
- Connections between each vent system component must be tightly joined and secured. Follow the vent manufacturer's instructions for information on how to seal and secure vent and vent connections.
- Horizontal runs of vent pipe must be supported to prevent any downward sags. Horizontal pipe sections should be supported at least every 4 feet. Wall Straps can be used for this purpose.
- When installing the vent pipe, make sure that the vent pipe is supported by the structural/frame surrounding and not by fireplace.

**Follow the vent manufacturer's instruction for information on how to install, seal, and secure vent and vent connections.**

## **WARNING!**

**DO NOT pack insulation around the vent. Insulation must be kept back from the pipe to prevent overheating. ALWAYS maintain specified clearances around venting and firestop systems. Install wall shield and ceiling firestops as specified.**

VENT AND FIREPLACE SIZE

Size	Vent Size
Flare 30	4x6
Flare 45*	5x8 or 4x6 *
Flare 50	5x8
Flare 60	5x8
Flare 70	5x8
Flare 80	5x8
Flare 100	5x8

\*Flare-RD-45 is shipped with 5x8 vent. All other Flare 45 are shipped with the 4x6 vent

MINIMUM COMBUSTIBLE CLEARANCES FROM VENT

- **HORIZONTAL VENT CLEARANCES:** A minimum clearance of **3 inches** (76mm) to the top and **1 inches** (51mm) to the sides and bottom of the vent pipe on all horizontal runs to combustibles is required.
- **VERTICAL VENT CLEARANCES:** A minimum of **1 inches** (25mm) all around the vent pipe on all vertical runs to combustibles is required except for clearances in appliance enclosures.
- **Horizontal vents** have a minimum **1/4 inch** (6mm) **rise per 1 foot** towards the termination.

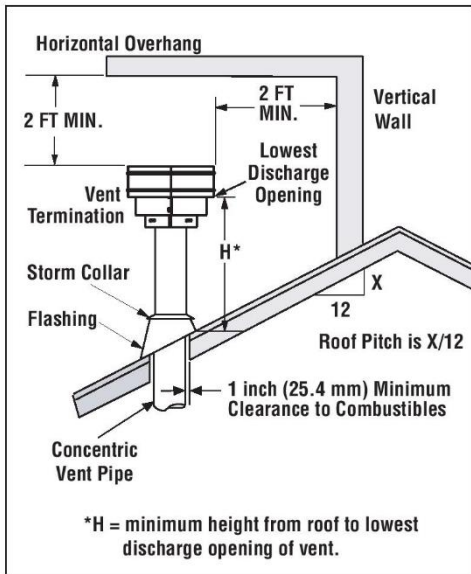
Frame cutout table taken from the DuraVent or ICC installation manual

TABLE 1		
DIRECTVENT PRO FRAMING OR CUTOUT DIMENSIONS		
STOCK NUMBER	COMPONENT DESCRIPTION	SIZE
46DVA-WT	Wall Thimble	10"x 10"
46DVA-WTS	Wall Thimble (Small)	9"x 9"
46DVA-WTU	Wall Thimble Universal	9"x 9"
46DVA-CS	Ceiling Support	10-3/4"x 10-3/4"
46DVA-FS	Fire Stop	9"x 9"
46DVA-WFS	Wall Fire Stop	10"x 10"
46DVA-VSS	Vinyl Siding Standoff	17"x 17"
46DVA-CF	Counter Flashing (Assembled)	13-1/2"x 13-1/2"
46DVA-CFK	Counter Flashing (4pc.Kit)	13-1/2"x 13-1/2"
46DVA-CFKS	Counter Flashing (Kit Small)	10-1/2"x 10-1/2"
46DVA-VSK	Vinyl Siding Standoff (4 Pc.Kit)	13-1/2"x 13-1/2"
46DVA-VSKS	Vinyl Siding Standoff (Kit Small)	10-1/2"x 10-1/2"
46DVA-IS	Insulation Shield	9"x 9"
58DVA-WT	Wall Thimble	10-1/2"x 10-1/2"
58DVA-WTS	Wall Thimble (Small)	9"x 9"
58DVA-WTU	Wall Thimble Universal	9"x 9"
58DVA-CS	Ceiling Support	10-3/4"x 10-3/4"
58DVA-FS	Fire Stop	10-1/2"x 10-1/2"
58DVA-WFS	Wall Fire Stop	10-1/2"x 10-1/2"
58DVA-VSS	Vinyl Siding Standoff	19-1/2"x 19-1/2"
56DVA-VSK	Vinyl Siding Standoff (4 Pc.Kit)	16"x 16"
58DVA-CF	Counter Flashing (Assembled)	16"x 16"
58DVA-CFK	Counter Flashing (4pc.Kit)	16"x 16"
58DVA-IS	Insulation Shield	11"x 11"

**VERTICAL TERMINATION**

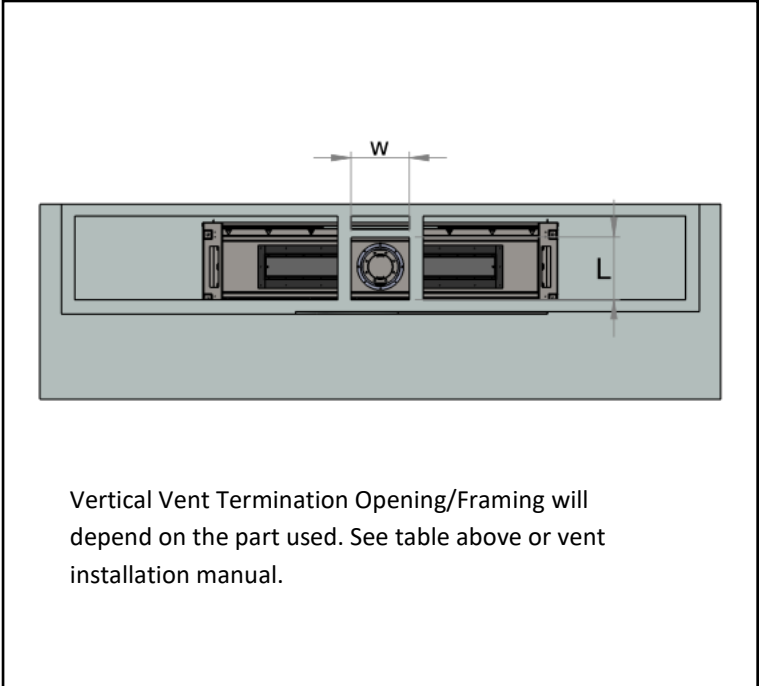
See the table on the previous page for minimum cutout dimensions or frame openings around wall venting. Make sure clearances to combustibles are maintained based on vent part used. Note: size of vents depends upon specific fireplace and cutout sizes vary according to the DuraVent or ICC part number used.

**Minimum height from roof to lowest discharge opening**



**Termination Heights for Vents Above Flat or Sloped Roofs (Ref. NFPA 54 / ANSI Z223.1)**

Roof Pitch	*Feet	*Meters
Flat to 6/12	1.0	0.3
6/12 to 7/12	1.25	0.38
7/12 to 8/12	1.5	0.46
8/12 to 9/12	2.0	0.61
9/12 to 10/12	2.5	0.76
10/12 to 11/12	3.25	0.99
11/12 to 12/12	4.0	1.22
12/12 to 14/12	5.0	1.52
14/12 to 16/12	6.0	1.83
16/12 to 18/12	7.0	2.13
18/12 to 20/12	7.5	2.29
20/12 to 21/12	8.0	2.44

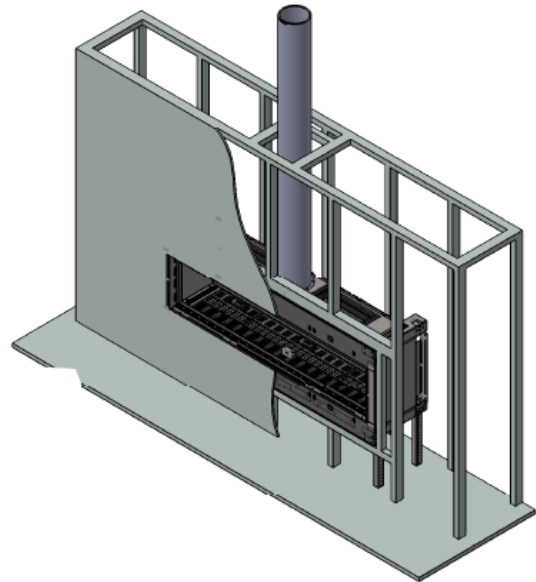
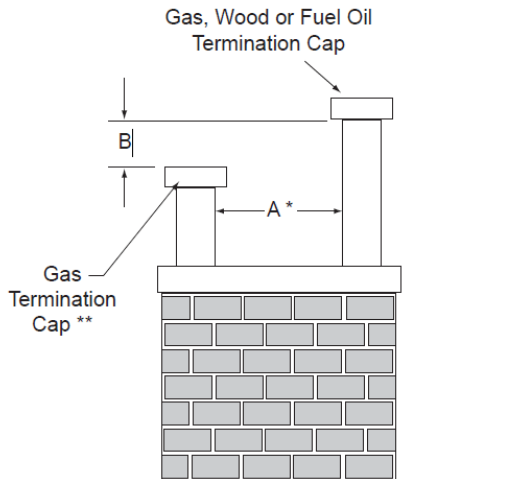


Vertical Vent Termination Opening/Framing will depend on the part used. See table above or vent installation manual.

- Minimum 24" horizontal clearance to any surface (such as an exterior wall) for vertical terminations

### Multiple terminations

A	B
6 in. (minimum) up to 20 in. <i>152 mm/508 mm</i>	18 in. minimum <i>457 mm</i>
20 in. and over	0 in. minimum



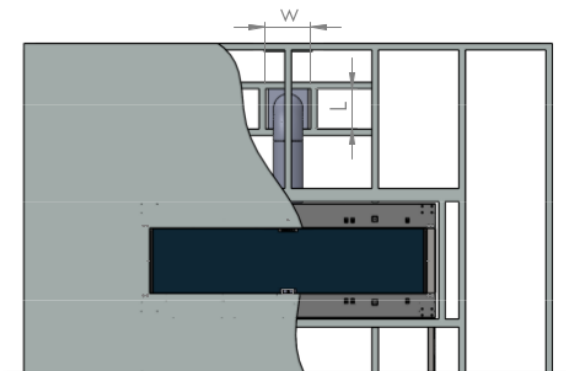
\* If using decorative cap cover(s), this distance may need to be increased. Refer to the installation instructions supplied with the decorative cap cover.

\*\* In a staggered installation with both gas and wood or fuel oil terminations, the wood or fuel oil termination cap must be higher than the gas termination cap.

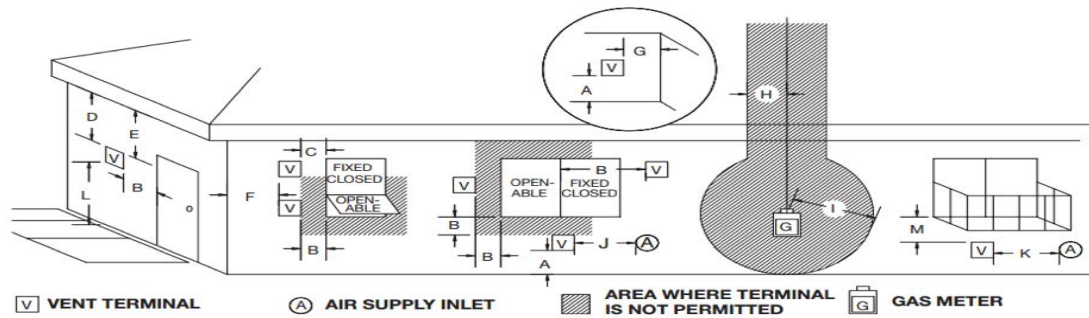
### HORIZONTAL TERMINATION

A minimum distance of 18 inches should be kept between multiple horizontal terminations.

[See the table on page 32](#) for minimum cutout dimensions or frame openings around wall venting. Make sure clearances to combustible material are maintained based on vent part used. Note: size of vents depends upon specific fireplace and cutout sizes vary per the DuraVent part number used.



## VENT TERMINATION CLEARANCES



- |   |                                                                                                                                                              |                                                                                                                                                 |
|---|--------------------------------------------------------------------------------------------------------------------------------------------------------------|-------------------------------------------------------------------------------------------------------------------------------------------------|
| A | *12" (30 cm) min.                                                                                                                                            | Clearances above grade, veranda, porch, deck, or balcony                                                                                        |
| B | *12" (30 cm) min.                                                                                                                                            | Clearance to window or door that may be opened                                                                                                  |
| C | 12" (30 cm) min.                                                                                                                                             | Clearance to permanently closed window recommended to prevent condensation on window                                                            |
| D | **24" (61 cm) min. for Flare units 100"<br>**18" (46 cm) min. for Flare units 80" and below<br>(vinyl surfaces require 24" (61 cm) min.)                     | Vertical clearance to ventilated soffit located above the terminal within a horizontal distance of 2 feet (60 cm) from the edge of the terminal |
| E | 30" (76 cm) min. for Flare units 80" and 100"<br>18" (46 cm) min. for Flare units 70" and below<br>(vinyl surfaces require 24 inches (61 cm) min.)           | Clearance to unventilated soffit.                                                                                                               |
| F | 6" (15 cm) min.                                                                                                                                              | Clearance to outside corner                                                                                                                     |
| G | 6" (15 cm) min.                                                                                                                                              | Clearance to inside corner                                                                                                                      |
| H | 3' (90 cm) min.                                                                                                                                              | *Not to be installed above a meter/regulator assembly within 3 feet (90 cm) horizontally from the center-line of the regulator                  |
| I | 3 feet (90 cm) min.                                                                                                                                          | Clearance to service regulator vent outlet                                                                                                      |
| J | *12 inches (30 cm) min.                                                                                                                                      | Clearance to non-mechanical air supply inlet to building or the combustion air inlet to any other appliance                                     |
| K | *6 feet (1.8 m) min.                                                                                                                                         | Clearance to a mechanical air supply inlet                                                                                                      |
| L | *7 feet (2.1 m) min.                                                                                                                                         | ^ Clearance above paved side-walk or a paved driveway located on public property                                                                |
| M | **24" inches (76 cm) min. for Flare units 100"<br>**18" inches (46 cm) min. for Flare units 80" and below<br>(vinyl surfaces require 24 inches (61 cm) min.) | Clearance under veranda, porch, deck, or balcony                                                                                                |



^ a vent shall not terminate directly above a side-walk or paved driveway which is located between two single family dwellings and serves both dwellings

\*\* only permitted if veranda, porch, deck, or balcony is fully open on a minimum of 2 sides beneath the door\*

- Clearance in accordance with local installation codes and the requirements of the gas supplier.

\* As specified in CGA B149 Installation Codes, note: local Codes or Regulation may require different clearances

\* For U.S.A. Installations follow the current National Fuel Gas Code, ANSI Z223.1

\*\*\*Horizontal vent termination minimum clearance to adjacent structure or fence is 48".

\*\*\*\* Minimum 24" horizontal clearance to any surface (such as an exterior wall) for vertical terminations

## VENT RESTRICTOR SETUP

Flare Fireplace direct vent system is equipped with a vent restrictor. Use Chimney Path Installation and Planning on the next page to determine the right vent restrictor setup for your installation.

Vent restrictor changes and setup should only be done by a certified installer.

- The unit leaves the factory with the vent restrictor open.
- The vent restrictor is adjusted using a 10mm wrench below the front upper frame.
- The vent restrictor setting is from 1 (minimum restriction) to 6 (maximum restriction).
- The installer will document the restrictor setting in the end of the installation.
- Use the [vent planning guide](#) and table to determine the restrictor setting.



Signs the vent restrictor needs to be adjusted:

Vent restrictor should be opened if the flame has the following characteristics:

- Flame is excessively tall and lifting.
- Flame lacks movement.

Vent restrictor should be closed if the flame has the following characteristics:

- Flame height is low.
- Flame has excessive movement

Document any change to the restrictor setting.

Contact Flare Fireplaces for support if needed

## CHIMNEY PATH INSTALLATION AND PLANNING

Before vent installation, the installer should read these instructions to ensure the proper vent configuration has been selected. To calculate the vent runs, use the following tables and instructions. Please note that power vent runs are model (burner) specific. Use the tables below to calculate the restrictor setting.

### General Instructions

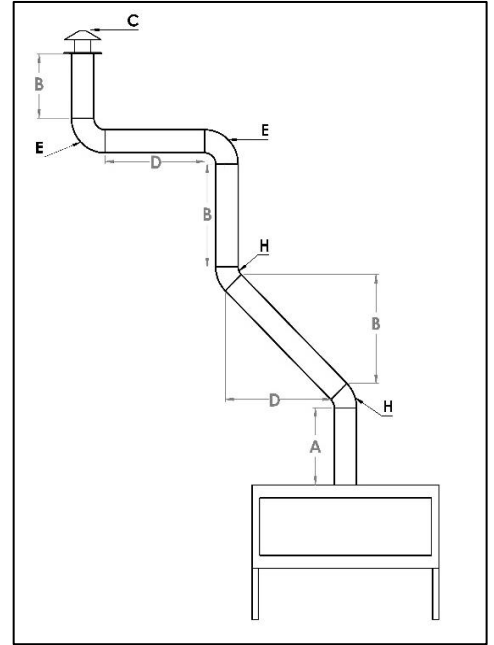
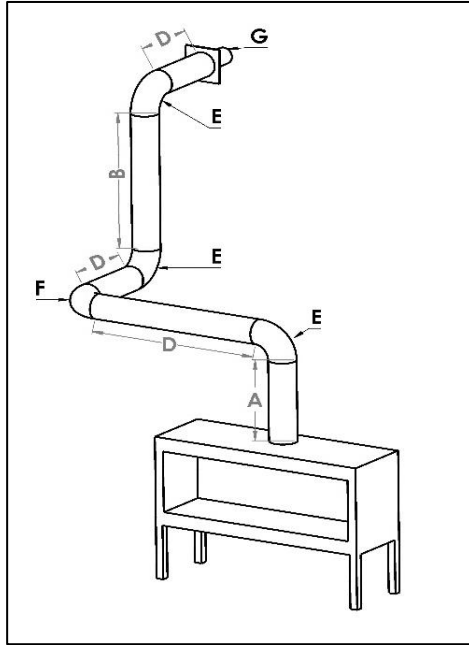
- Diagonal runs have both vertical and horizontal vent aspects when calculating the effects. Use the rise for the vertical aspect and the run for the horizontal aspect.
- Various combinations of vent runs may be used. Refer to the tables below based on Fireplace size. [Use the attached example](#) for clarification on how to use the table.
- The numbers in the table represent the restrictor setting based on the vent path.
- Symbol “x” in the table means the path is not allowed.
- Setting the restrictor to 1 means there is no restriction.
- Numbers in the table represent the restrictor setting to be set.
- Document the restrictor setting configuration prior to leaving the installation site.
- The tables apply to both NG (Natural Gas) and Propane.
- Minimum 3 ft vertical run (A) required before any bend or turn.
  - [See Flare Front and Flare See Through exception.](#)
  - [See Flare 50 & 60 5x8 table for exception](#)
- A maximum of **four** 90° vent elbows are allowed in the vent run. Any configuration with more than 4 elbows requires vent review and approval from Flare Fireplaces.
- Two 45° elbows may be used in place of one 90° elbow.
- The tables represent the manufacturer’s guideline based on testing and design. Additional external factors may affect the restrictor choice needed. If flame appears to be not typical, please contact Flare Fireplaces for restrictor size recommendations.
- Use the empty table in the page below to document and calculate the installation vent path.
- Any venting pathway that does not appear the tables below require approval from Flare Fireplaces.

For optimum performance and flame appearance, keep the vent length to a minimum and limit the number of elbows.

FLARE 30/30H

Suitable for all Flare 30 Fireplaces

Length Calculation Guide
<b>Y-Effective Axis Parameters</b>
A - 1st Flue Length (3 ft. Minimum Rise)
B - Vertical Flue Length
C - Roof Terminal = 1.5 ft.
H - Small Elbow (45°) = 1 ft.
<b>X-Effective Axis Parameters</b>
D - Horizontal Flue Length
E - Elbow (90°) = 3 ft.
F - Elbow (Lying 90°) = 6 ft.
G - Wall Terminal = 3 ft.



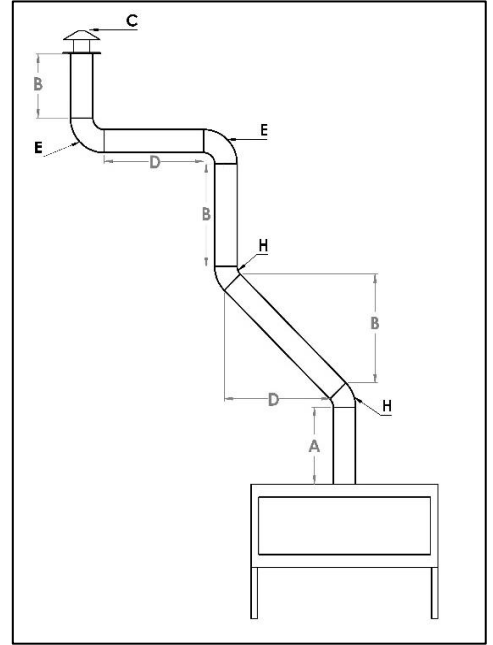
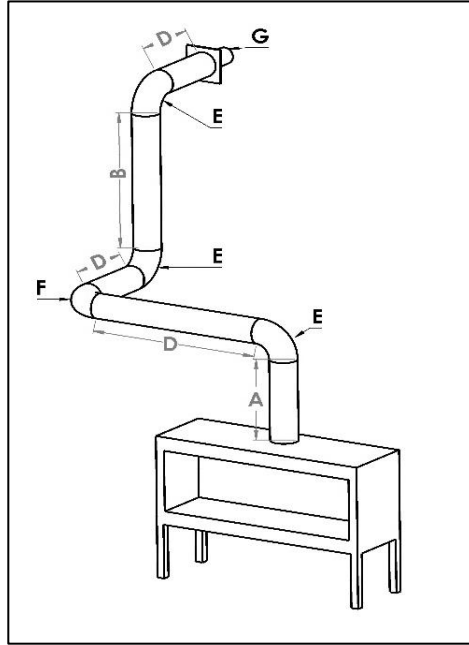
**Vent Restrictor Setting:** Set to 1-6 based on Table below.  
**X:** Run may need to be Power-Vented

Y-Effective Vertical Length	X- Effective Horizontal Length													
	FEET	0	3	6'	10'	13'	17'	20'	23'	26'	30'	33'	36'	39'
3'	3	2	1	1	1	1	1	1	1	1	X	X	X	X
6'	3	2	2	1	1	1	1	1	1	1	1	1	X	X
10'	3	2	2	1	1	1	1	1	1	1	1	1	1	1
13'	2	2	1	1	1	1	1	1	1	1	1	1	1	1
16'	2	1	1	1	1	1	1	1	1	1	1	1	1	1
19'	2	1	1	1	1	1	1	1	1	1	1	1	1	1
23'	2	1	1	1	1	1	1	1	1	1	1	1	X	X
26'	1	1	1	1	1	1	1	1	1	1	1	1	X	X
30'	1	1	1	1	1	1	1	1	1	1	X	X	X	X
33'	1	1	1	1	1	1	1	1	1	1	X	X	X	X
36'	1	1	1	1	1	1	1	X	X	X	X	X	X	X
39'	1	1	1	1	1	1	1	X	X	X	X	X	X	X
43'	1	1	1	1	1	1	1	X	X	X	X	X	X	X
46'	1	1	1	1	1	1	1	X	X	X	X	X	X	X
50'	1	1	1	1	1	1	1	X	X	X	X	X	X	X

FLARE 45/45H/45EH

Suitable for all Flare 45/45H/45EH Fireplaces

Length Calculation Guide
<b>Y-Effective Axis Parameters</b>
A - 1st Flue Length (3 ft. Minimum Rise)
B - Vertical Flue Length
C - Roof Terminal = 1.5 ft.
H - Small Elbow (45°) = 1 ft.
<b>X-Effective Axis Parameters</b>
D - Horizontal Flue Length
E - Elbow (90°) = 3 ft.
F - Elbow (Lying 90°) = 6 ft.
G - Wall Terminal = 3 ft.



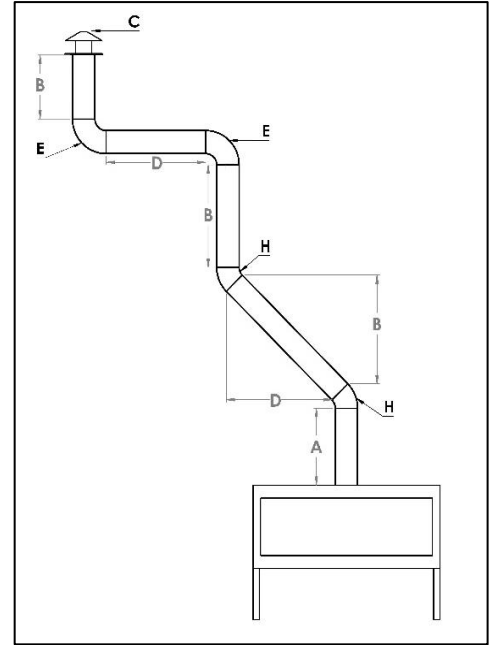
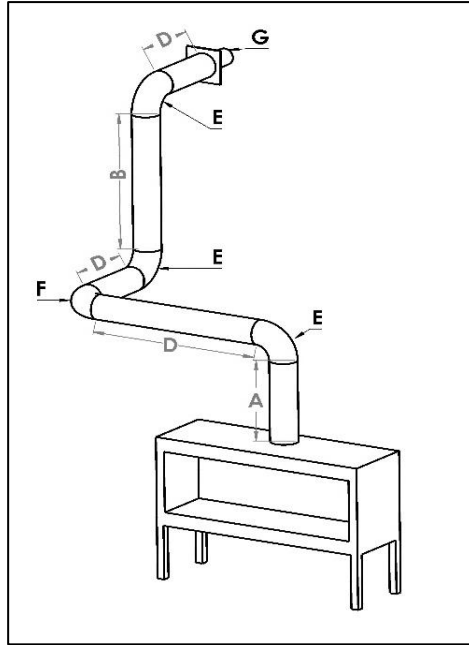
**Vent Restrictor Setting:** Set to 1-6 based on Table below.  
**X:** Run may need to be Power-Vented

Y- Effective Vertical Length	Flare 45/45H/45EH	X- Effective Horizontal Length												
	FEET	0	3	6'	10'	13'	17'	20'	23'	26'	30'	33'	36'	39'
3'	1	1	1	1	1	1	1	1	1	X	X	X	X	X
6'	3	2	2	1	1	1	1	1	1	X	X	X	X	X
10'	3	2	2	1	1	1	1	1	1	1	1	X	X	X
13'	2	2	2	1	1	1	1	1	1	1	1	1	1	X
16'	2	1	1	1	1	1	1	1	1	1	1	1	1	X
19'	2	1	1	1	1	1	1	1	1	1	1	1	X	X
23'	1	1	1	1	1	1	1	1	1	1	X	X	X	X
26'	1	1	1	1	1	1	1	1	1	1	X	X	X	X
30'	1	1	1	1	1	1	1	1	1	X	X	X	X	X
33'	1	1	1	1	1	1	1	1	1	X	X	X	X	X
36'	1	1	1	1	1	1	1	1	1	X	X	X	X	X
39'	1	1	1	1	1	1	1	X	X	X	X	X	X	X
43'	1	1	1	1	1	1	1	X	X	X	X	X	X	X
46'	1	1	1	1	1	1	X	X	X	X	X	X	X	X
50'	1	1	1	1	1	1	X	X	X	X	X	X	X	X

FLARE 50/50H/50EH

Suitable for all Flare 50/50H/50EH Fireplaces

Length Calculation Guide	
Y-Effective Axis Parameters	
A - 1st Flue Length (3 ft. Minimum Rise)	
B - Vertical Flue Length	
C - Roof Terminal = 1.5 ft.	
H - Small Elbow (45°) = 1 ft.	
X-Effective Axis Parameters	
D - Horizontal Flue Length	
E - Elbow (90°) = 3 ft.	
F - Elbow (Lying 90°) = 6 ft.	
G - Wall Terminal = 3 ft.	



**Vent Restrictor Setting:** Set to 1-6 based on Table below.

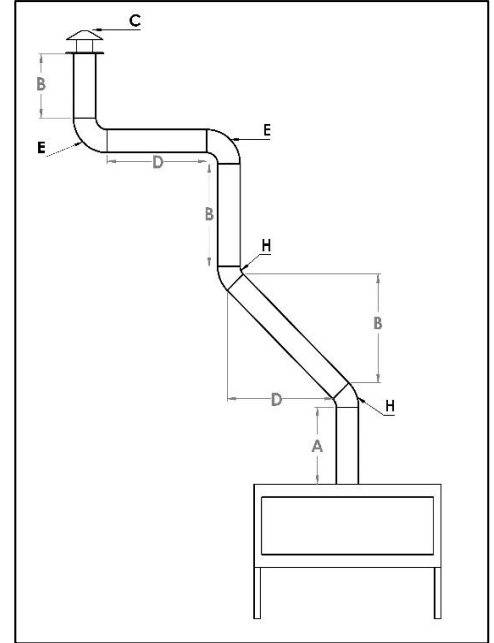
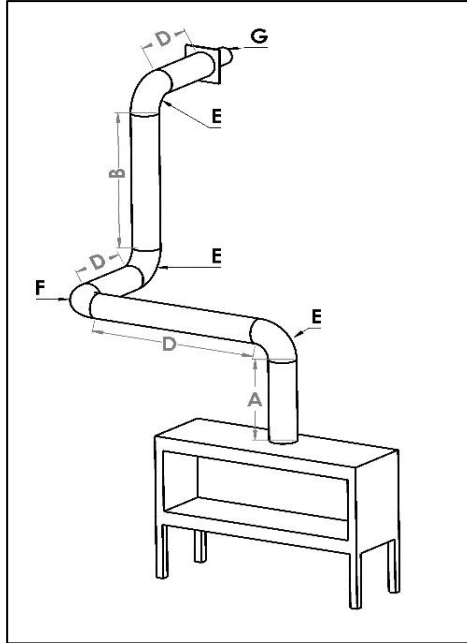
**X:** Run may need to be Power-Vented

Y- Effective Vertical Length	X- Effective Horizontal Length													
	Flare 50/50H	0	3	6'	10'	13'	17'	20'	23'	26'	30'	33'	36'	39'
3'	2	2	2	2	1	1	1	1	1	1	1	1	X	X
6'	3	3	2	2	2	2	1	1	1	1	1	1	1	1
10'	3	3	2	2	2	2	1	1	1	1	1	1	1	1
13'	3	3	2	2	2	1	1	1	1	1	1	1	1	1
16'	3	3	2	2	2	1	1	1	1	1	1	1	1	1
19'	2	2	2	2	2	1	1	1	1	1	1	1	1	1
23'	2	2	2	2	1	1	1	1	1	1	1	1	1	1
26'	2	2	2	2	1	1	1	1	1	1	1	1	1	1
30'	2	2	2	1	1	1	1	1	1	1	1	1	1	1
33'	1	1	1	1	1	1	1	1	1	1	1	1	1	1
36'	1	1	1	1	1	1	1	1	1	1	X	X	X	X
39'	1	1	1	1	1	1	1	1	1	1	X	X	X	X
43'	1	1	1	1	1	1	1	1	1	1	X	X	X	X
46'	1	1	1	1	1	1	1	1	1	X	X	X	X	X
50'	1	1	1	1	1	1	1	1	1	X	X	X	X	X

FLARE 60/60H/60EH

Suitable for all Flare 60/60H/60EH Fireplaces

Length Calculation Guide
<b>Y-Effective Axis Parameters</b>
A - 1st Flue Length (3 ft. Minimum Rise)
B - Vertical Flue Length
C - Roof Terminal = 1.5 ft.
H - Small Elbow (45°) = 1 ft.
<b>X-Effective Axis Parameters</b>
D - Horizontal Flue Length
E - Elbow (90°) = 3 ft.
F - Elbow (Lying 90°) = 6 ft.
G - Wall Terminal = 3 ft.



**Vent Restrictor Setting:** Set to 1-6 based on Table below.

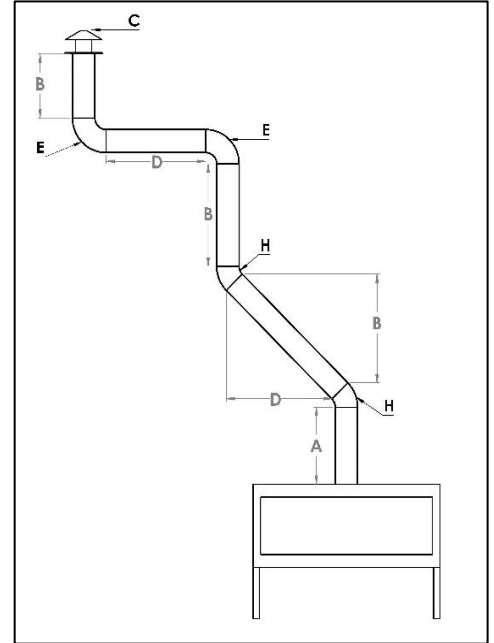
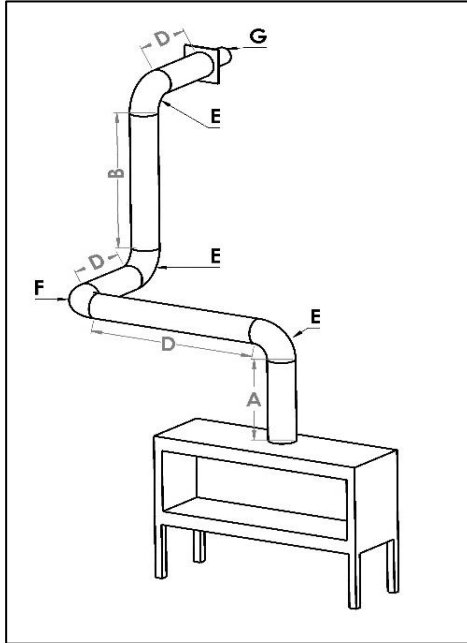
**X:** Run will need to be Power-Vented

Y-Effective Vertical Length	X- Effective Horizontal Length													
	Flare 60/60H	0	3	6'	10'	13'	17'	20'	23'	26'	30'	33'	36'	39'
3'	2	2	1	1	1	1	1	1	1	1	1	X	X	X
6'	3	3	2	1	1	1	1	1	1	1	1	1	1	X
10'	2	2	2	1	1	1	1	1	1	1	1	1	1	1
13'	2	2	2	2	1	1	1	1	1	1	1	1	1	1
16'	2	2	2	1	1	1	1	1	1	1	1	1	1	1
19'	2	2	1	1	1	1	1	1	1	1	1	1	1	1
23'	2	2	1	1	1	1	1	1	1	1	1	1	1	1
26'	1	1	1	1	1	1	1	1	1	1	1	1	1	1
30'	1	1	1	1	1	1	1	1	1	1	1	1	1	1
33'	1	1	1	1	1	1	1	1	1	1	1	X	X	X
36'	1	1	1	1	1	1	1	1	1	1	1	X	X	X
39'	1	1	1	1	1	1	1	1	1	1	1	X	X	X
43'	1	1	1	1	1	1	1	1	1	1	X	X	X	X
46'	1	1	1	1	1	1	1	1	1	1	X	X	X	X
50'	1	1	1	1	1	1	1	1	1	1	X	X	X	X

FLARE 70/70H/70EH

Suitable for all Flare 70/70H/70EH Fireplaces

Length Calculation Guide	
<b>Y-Effective Axis Parameters</b>	
A - 1st Flue Length (3 ft. Minimum Rise)	
B - Vertical Flue Length	
C - Roof Terminal = 1.5 ft.	
H - Small Elbow (45°) = 1 ft.	
<b>X-Effective Axis Parameters</b>	
D - Horizontal Flue Length	
E - Elbow (90°) = 3 ft.	
F - Elbow (Lying 90°) = 6 ft.	
G - Wall Terminal = 3 ft.	



**Vent Restrictor Setting:** Set to 1-6 based on Table below.  
**X:** Run will need to be Power-Vented

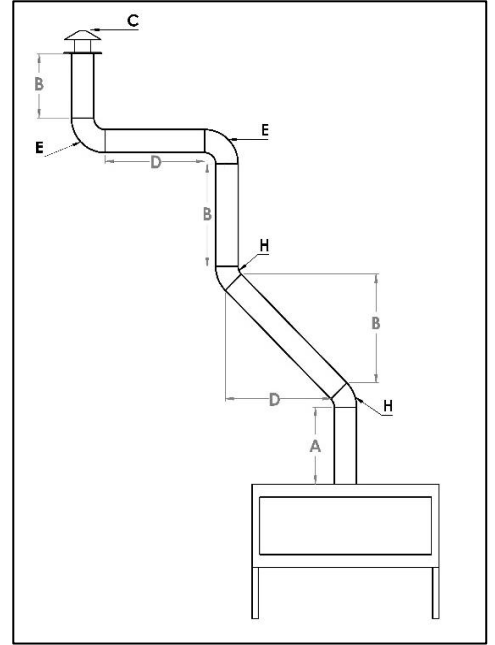
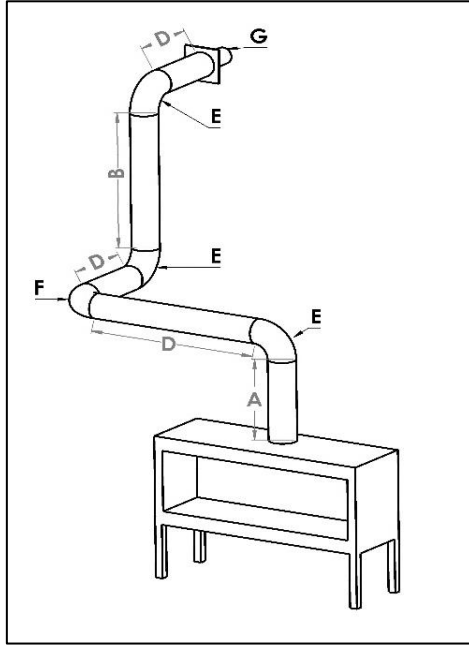
Y-Effective Vertical Length	X- Effective Horizontal Length													
	Flare 70/70H/70EH FEET	0	3	6'	10'	13'	17'	20'	23'	26'	30'	33'	36'	39'
3'	1	1	1	1	1	1	1	1	1	1	X	X	X	X
6'	2	2	1	1	1	1	1	1	1	1	1	X	X	X
10'	3	2	1	1	1	1	1	1	1	1	1	1	1	X
13'	3	2	1	1	1	1	1	1	1	1	1	1	1	X
16'	2	2	1	1	1	1	1	1	1	1	1	1	1	1
19'	2	2	1	1	1	1	1	1	1	1	1	1	1	X
23'	2	1	1	1	1	1	1	1	1	1	1	1	X	X
26'	1	1	1	1	1	1	1	1	1	1	X	X	X	X
30'	1	1	1	1	1	1	1	1	1	1	X	X	X	X
33'	1	1	1	1	1	1	1	1	X	X	X	X	X	X
36'	1	1	1	1	1	1	1	1	X	X	X	X	X	X
39'	1	1	1	1	1	1	1	X	X	X	X	X	X	X
43'	1	1	1	1	1	1	1	X	X	X	X	X	X	X
46'	1	1	1	1	1	1	1	X	X	X	X	X	X	X
50'	1	1	1	1	1	1	1	X	X	X	X	X	X	X



FLARE 80/80H/80EH

Suitable for all Flare 80/80H/80EH Fireplaces

Length Calculation Guide
<b>Y-Effective Axis Parameters</b>
A - 1st Flue Length (3 ft. Minimum Rise)
B - Vertical Flue Length
C - Roof Terminal = 1.5 ft.
H - Small Elbow (45°) = 1 ft.
<b>X-Effective Axis Parameters</b>
D - Horizontal Flue Length
E - Elbow (90°) = 3 ft.
F - Elbow (Lying 90°) = 6 ft.
G - Wall Terminal = 3 ft.



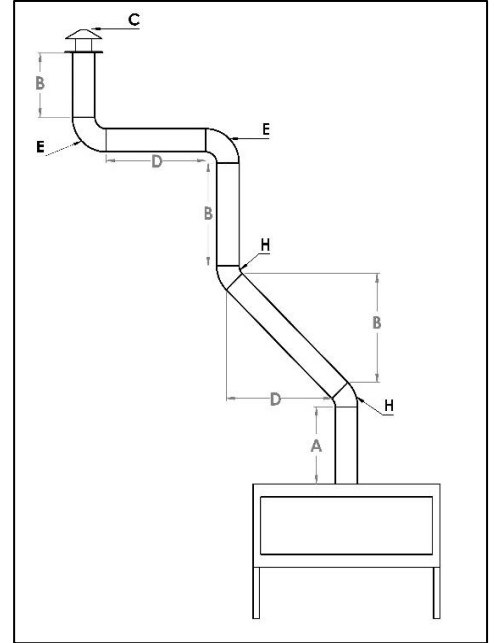
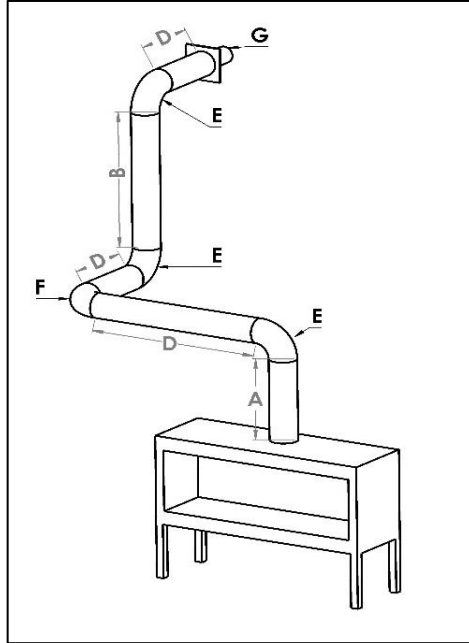
**Vent Restrictor Setting:** Set to 1-6 based on Table below.  
**X:** Run will need to be Power-Vented

Y-Effective Vertical Length	X- Effective Horizontal Length													
	Flare 80/80H/80EH FEET	0	3	6'	10'	13'	17'	20'	23'	26'	30'	33'	36'	39'
3'	X	X	X	X	X	X	X	X	X	X	X	X	X	X
6'	2	1	1	1	1	1	X	X	X	X	X	X	X	X
10'	2	2	1	1	1	1	1	1	X	X	X	X	X	X
13'	2	2	1	1	1	1	1	1	1	X	X	X	X	X
16'	2	1	1	1	1	1	1	1	1	X	X	X	X	X
19'	2	1	1	1	1	1	1	1	1	X	X	X	X	X
23'	1	1	1	1	1	1	1	1	1	1	X	X	X	X
26'	1	1	1	1	1	1	1	1	1	1	1	X	X	X
30'	1	1	1	1	1	1	1	1	1	1	X	X	X	X
33'	1	1	1	1	1	1	1	1	1	X	X	X	X	X
36'	1	1	1	1	1	1	1	1	X	X	X	X	X	X
39'	1	1	1	1	1	1	1	1	X	X	X	X	X	X
43'	1	1	1	1	1	1	1	X	X	X	X	X	X	X
46'	1	1	1	1	1	1	X	X	X	X	X	X	X	X
50'	1	1	1	1	1	1	X	X	X	X	X	X	X	X

FLARE 100/100H/100EH

Suitable for all Flare 100/100H/100EH Fireplaces

Length Calculation Guide
<b>Y-Effective Axis Parameters</b>
A - 1st Flue Length (3 ft. Minimum Rise)
B - Vertical Flue Length
C - Roof Terminal = 1.5 ft.
H - Small Elbow (45°) = 1 ft.
<b>X-Effective Axis Parameters</b>
D - Horizontal Flue Length
E - Elbow (90°) = 3 ft.
F - Elbow (Lying 90°) = 6 ft.
G - Wall Terminal = 3 ft.



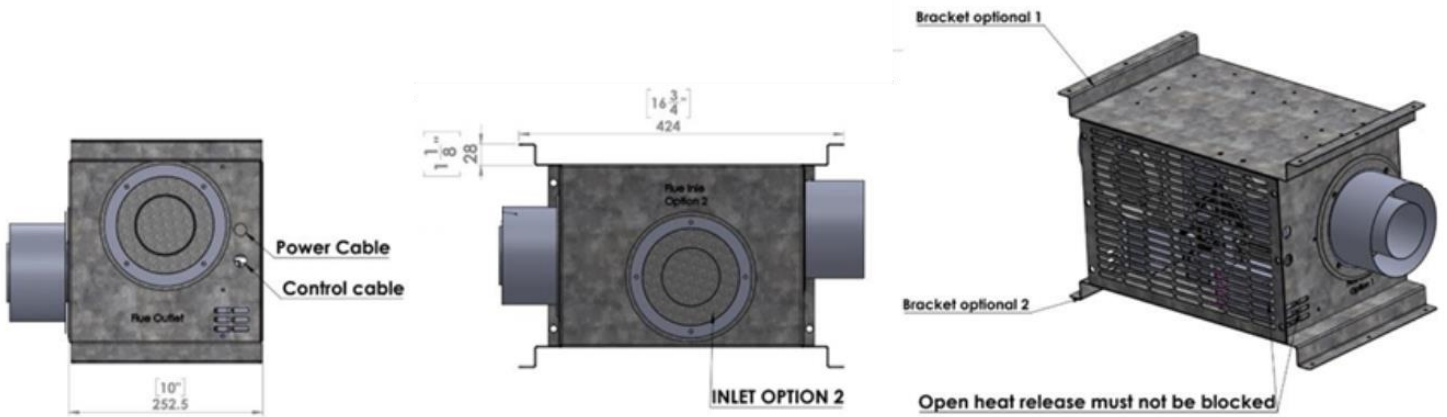
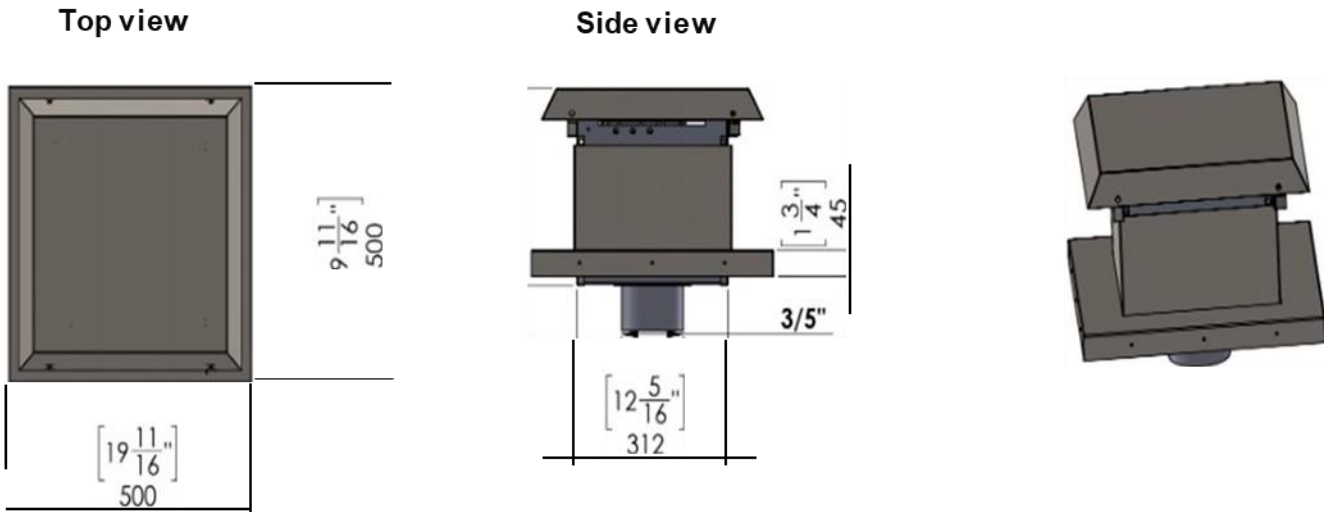
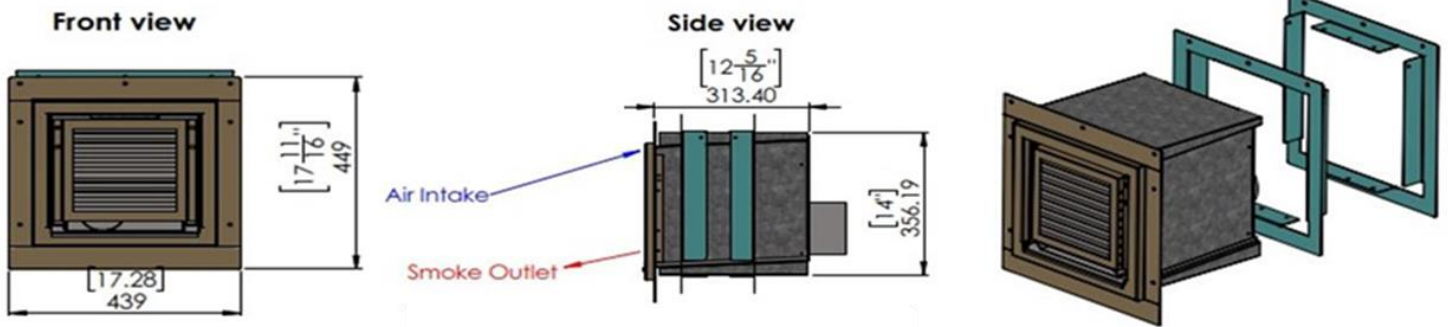
**Vent Restrictor Setting:** Set to 1-6 based on Table below.  
**X:** Run will need to be Power-Vented

Y-Effective Vertical Length	Flare 100/100H/100EH	X- Effective Horizontal Length												
	FEET	0	3	6'	10'	13'	17'	20'	23'	26'	30'	33'	36'	39'
3'	X	X	X	X	X	X	X	X	X	X	X	X	X	X
6'	2	1	1	1	1	1	1	X	X	X	X	X	X	X
10'	2	2	1	1	1	1	1	1	1	X	X	X	X	X
13'	2	2	1	1	1	1	1	1	1	1	X	X	X	X
16'	2	1	1	1	1	1	1	1	1	1	X	X	X	X
19'	2	1	1	1	1	1	1	1	1	1	X	X	X	X
23'	1	1	1	1	1	1	1	1	1	1	1	X	X	X
26'	1	1	1	1	1	1	1	1	1	1	1	1	X	X
30'	1	1	1	1	1	1	1	1	1	1	1	1	X	X
33'	1	1	1	1	1	1	1	1	1	1	1	X	X	X
36'	1	1	1	1	1	1	1	1	1	X	X	X	X	X
39'	1	1	1	1	1	1	1	1	1	X	X	X	X	X
43'	1	1	1	1	1	1	1	1	X	X	X	X	X	X
46'	1	1	1	1	1	1	1	X	X	X	X	X	X	X
50'	1	1	1	1	1	1	1	X	X	X	X	X	X	X

## POWER VENTING

For unsupported vent routes (based on the gravity vent tables above) a power venting solution is required. The power venting solutions allow Flare Fireplaces to operate in vent conditions that would not be possible without the motor unit. See the [Flare Power Vent Installation Manual](#) for more specific instructions.

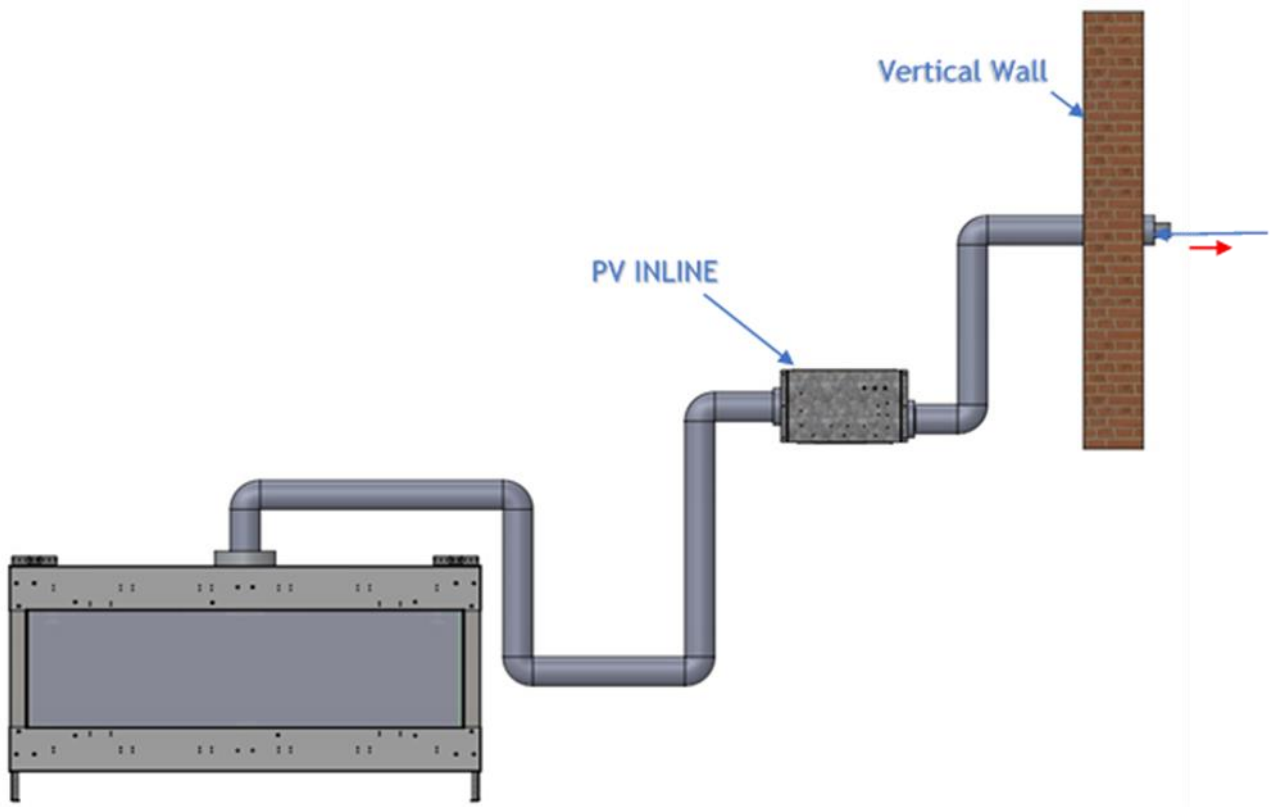
The system is designed and tested with DuraVent 3x5 gasket direct vent pipes. It is critical for the safety and operation of the system to use the DuraVent 3x5 gasket system.



When using the power vent system, direction of flow through the vents can be up, down, horizontal or diagonal since the system is sealed and vacuumed. The vent restrictor level should be set based on length in feet, number of elbows and the vent termination.

**NOTE:** A minimum of **20 feet of venting** is required between the fireplace and the in-line power vent. **Do not use the power vent if the vent routing is less than 20 feet.** Refer to the [Flare Power Vent Installation Manual](#) for more specific instructions.

**Clearance** - Clearances between the vent pipe and combustible materials must be maintained at 3" inches top and 1" for side and below. Maintain the same clearance from the power vent box to any combustible materials.

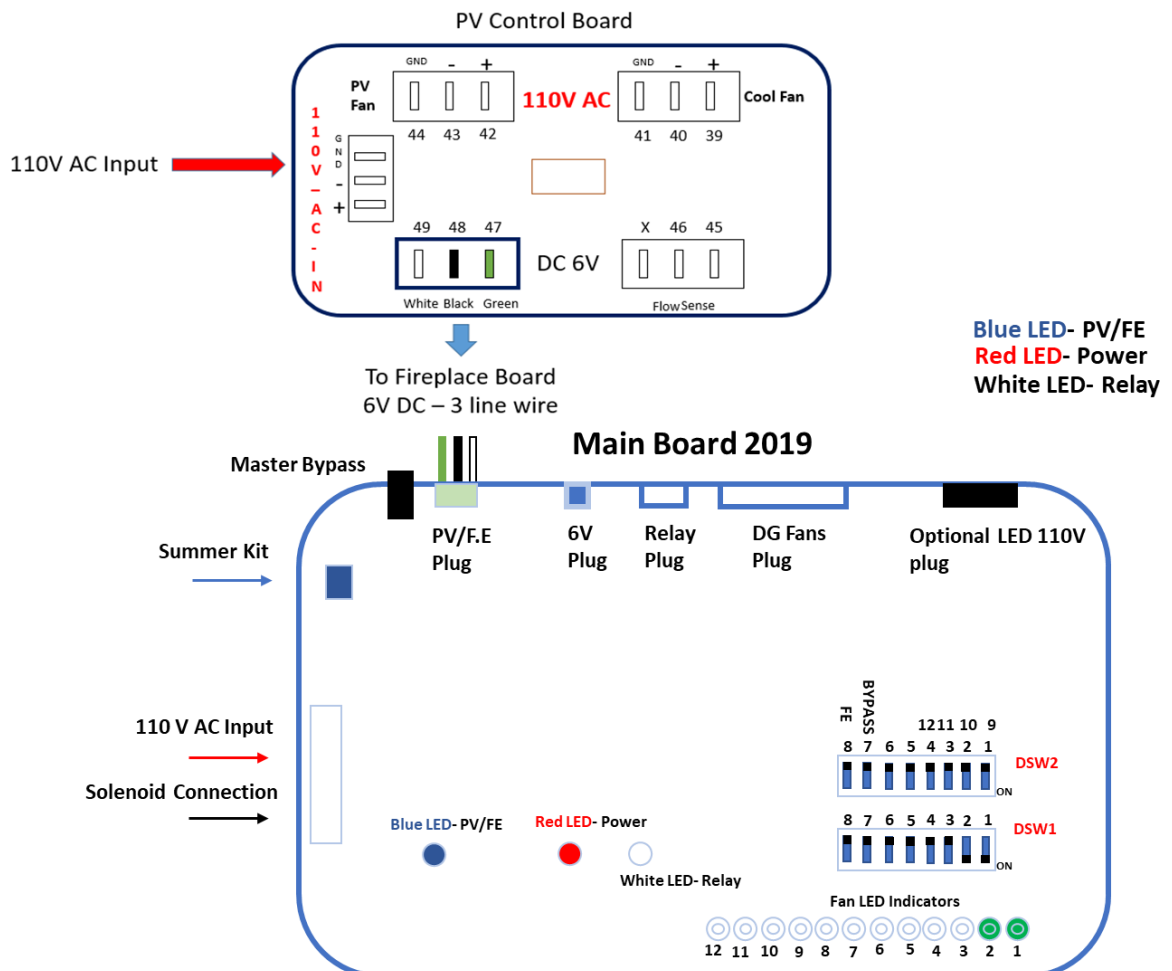
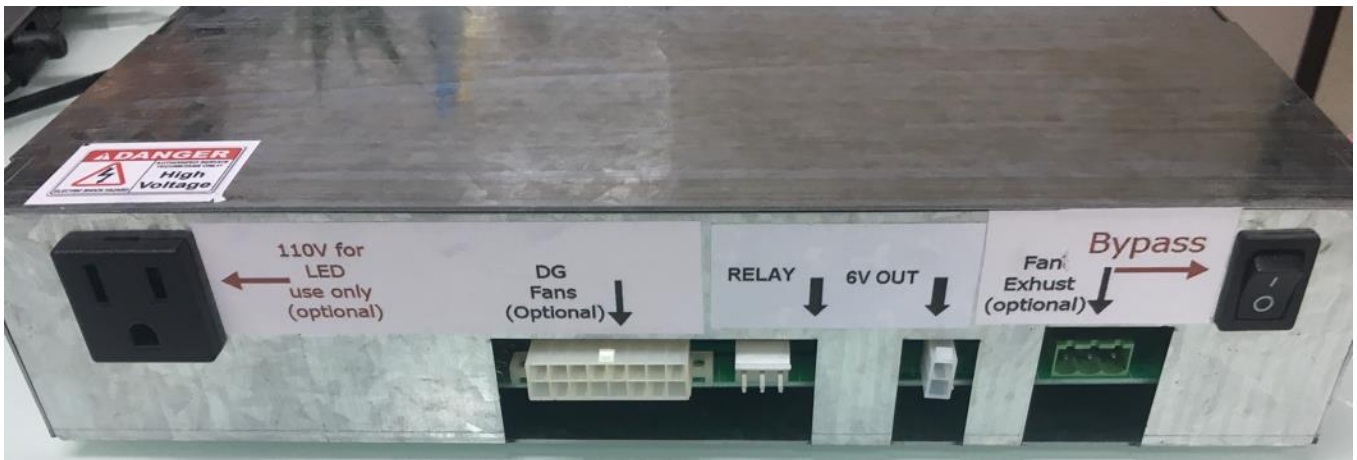


**Power vent unit must be installed by a qualified installer in accordance with these instructions.**

**CAUTION! Failure to install, operate, and maintain the power venting system in accordance with manufacturer's instructions will result in conditions which may produce bodily injury and/or property damage**

ELECTRICAL CONNECTION TO THE PV SYSTEM

- The PV system will need to be connected to an AC 110V 15A power outlet.
- The PV system is connected to the Fireplace control system with a **low voltage (6V) 3 wire cable** - labeled below as connection "Fan Exhaust Optional".
- Cable to be used is 16 AWG-3 copper wire (**not solid wire**). Cable is not included with the PV kit.
- Connect low voltage cable from the Power Vent to Connection 6 (below), matching colors - white to white, black to black & green to green).
- fans and sensors on the main board are optional and will be included on double glass systems.



**GAS INSTALLATION**

**GENERAL**

**WARNING! Risk of Fire or Explosion!**

All gas handling and installation should be performed by qualified service technician or installer.

Gas build-up during line purge could ignite. Ensure adequate ventilation. Make sure there are no ignition sources/sparks or open flames.

Do not change the gas valve setting! The fireplace gas valve has been preset at the factory.

Installing an external manual gas valve before connection to the fireplace is a must.

Make sure to check for gas leaks before lighting the fireplace for the first time. When checking for leaks do not use open flame.

This appliance and its individual shut off valve must be disconnected from gas supply piping system during any pressure testing of that system at test pressures more than ½ psig (3.5 kPa).

This appliance must be isolated from the gas supply piping system by closing its individual manual shut off valve during any pressure testing of the gas supply piping system at test pressures equal to or less than 1/2 psig (3.5 kPa).

- Move the appliance into position and secure it to the wall using the back or side mount.
- Install a manual gas valve before the connection to the fireplace appliance automatic valve.
- Connect the gas line to the fireplace. The appliance is designed to accept a 1/2" (13mm) gas supply.
- Connect the gas supply in accordance to local codes, CAN/CSA-B149.1 in Canada or to the current National Fuel Gas Code, ANSI Z223.1 / NFPA 54 in the United States.
- Check for gas leaks using non-corrosive commercially available leak-check solution before operating the gas appliance.
- Measure and document gas pressure here: Inlet \_\_\_\_\_ W.C. Burner (Manifold) \_\_\_\_\_ W.C. -- Make sure the Min/Max inlet pressure match the table below.
- Lighting the fireplace for the first time may take some time until the line is purged

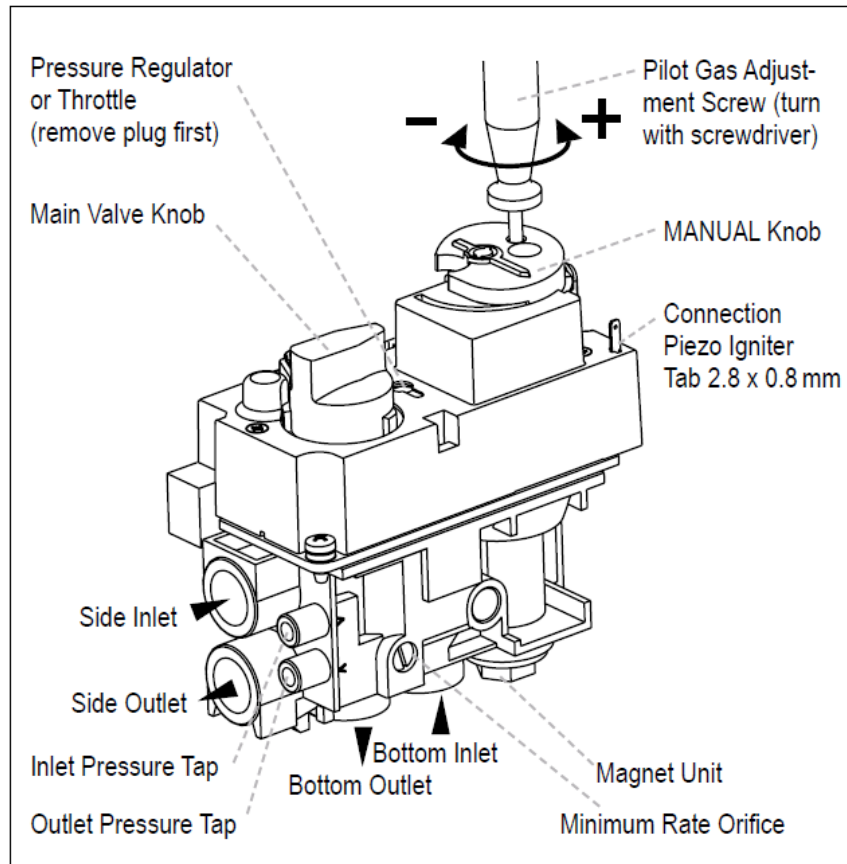
**Note: Do not place the gas valve or controls above the level of the burner.**

Gas Pressure	Natural Gas	Propane
Inlet pressure	7.0" W.C	10". W.C

Acceptable Inlet Gas pressure table

**WARNING!** Risk of Fire or Explosion! High pressure will damage valve. Low pressure could cause explosion.

**Verify inlet pressures.** Verify minimum pressures when other household gas appliances are operating.



Have the gas supply line installed in accordance with local codes, if any. If not available, follow ANSI 223.1.

Installation should be done by a qualified installer approved and/or licensed as required by the locality (**in the Commonwealth of Massachusetts installation must be performed by a licensed plumber or gas fitter**).

## ORIFICE SIZE

Flare Fireplace appliances are tested and approved for installations at elevations of 0–4500 feet (0–1372 meters) above sea level using the standard burner orifice sizes. At the time of installation, it must be determined if the appliance needs to be de-rated. Contact your local gas supplier for deration requirements for your area.

De-rated installation consideration can start at 2000 Ft above sea level.

At higher elevations, the amount of BTU fuel value delivered must be reduced by either using gas that has been de-rated by the gas company or by changing the burner orifice to a smaller size as regulated by the local authorities having jurisdiction and by the (USA) National Fuel Gas Code NFPA 54/ANSI Z223.1 - latest edition or in Canada, the CAN/CSA-B149.1 code – latest edition.

## GAS VALVE ACCESS DOOR

The Flare Fireplace gas valve and control system is on an “umbilical cord” that can be stretched up to 50” from the middle of the fireplace and be put next to the access door location.

**Do not place the gas valve or controls above the level of the burner.** If the fireplace is to sit low on the floor, the controls must be placed outside the non-combustible zone or insulated from the heat from the fireplace.

The access door can be placed on any side of the fireplace, below the non-combustible line.

The use of a 10”x10” access door is highly recommended. If no access door is installed, it is possible to access the gas valve from inside the fireplace by removing the glass.

The access door can also be used as a lower air intake for a double glass installation if it is perforated, and the opening requirements are maintained.

The access door can be concealed in many ways such as HVAC vent cover, removable tile connected with Velcro straps and more.



## COMMONWEALTH OF MASSACHUSETTS

### State of Massachusetts Carbon Monoxide

Detector/Vent Terminal Signage Requirements for all side wall horizontally vented gas fueled equipment installed in every dwelling, building or structure used in whole or in part for residential purposes, including those owned or operated by the Commonwealth and where the side wall exhaust vent termination is less than seven (7) feet above finished grade around the venting, including but not limited to decks and porches, the following requirements shall be satisfied:

1. **INSTALLATION OF CARBON MONOXIDE DETECTORS.** At the time of installation of the side wall horizontal vented gas fueled equipment, the installing plumber or gas fitter shall observe that a hard-wired carbon monoxide detector with an alarm and battery back-up is installed on the floor level where the gas equipment is to be installed. In addition, the installing plumber or gas fitter shall observe that a battery operated or hard-wired carbon monoxide detector with an alarm is installed on each additional level of the dwelling, building or structure served by the side wall horizontal vented gas fueled equipment. It shall be the responsibility of the property owner to secure the services of qualified licensed professionals for the installation of hard wired carbon monoxide detectors.
  - a. If the side wall horizontally vented gas fueled equipment is installed in a crawl space or an attic, the hard-wired carbon monoxide detector with alarm and battery back-up may be installed on the next adjacent floor level.
  - b. If the requirements of this subdivision cannot be met at the time of completion of installation, the owner shall have a period of thirty (30) days to comply with the above requirements; provided, however, that during said thirty (30) day period, a battery-operated carbon monoxide detector with an alarm shall be installed.
2. **APPROVED CARBON MONOXIDE DETECTORS.** Each carbon monoxide detector as required in accordance with the above provisions shall comply with NFPA 720 and be ANSI/UL 2034 listed as IAS certified.
3. **SIGNAGE.** A metal or plastic identification cation plate shall be permanently mounted to the exterior of the building at a minimum height of eight (8) feet above grade directly in line with the exhaust vent terminal for the horizontally vented gas fueled heating appliance or equipment. The sign shall read, in print size no less than one-half (1/2) inch in size, "GAS VENT DIRECTLY BELOW. KEEP CLEAR OF ALL OBSTRUCTIONS".
4. **INSPECTION.** The state or local gas inspector of the side wall horizontally vented gas fueled equipment shall not approve the installation unless, upon inspection, the inspector observes carbon monoxide detectors and signage installed in accordance with the provisions of 248 CMR 5.089(2)(a) 1 through 4.

(b) **EXEMPTIONS.** The following equipment is exempt from 248 CMR 5.089(2)(a) 1 through 4.

1. The equipment listed in Chapter 10 entitled "Equipment Not Required to Be Vented" in the most current edition of NFPA 54 as adopted by the Board; and
2. Product Approved side wall horizontal vented gas fueled equipment installed in a room or structure separate from the dwelling, building or structure used in whole or in part for residential purposes.

(c) **MANUFACTURER REQUIREMENTS – GAS EQUIPMENT VENTING SYSTEM PROVIDED.** When the manufacturer of Product Approved side wall horizontally vented gas equipment provides a venting system design or venting system components with the equipment, the instructions provided by the manufacturer for installation of the equipment and the venting system shall include:

1. Detailed instructions for the installation of the venting system design or the venting system components; and
2. A complete parts list for the venting system design or venting system.

(d) **MANUFACTURER REQUIREMENTS – GAS EQUIPMENT VENTING SYSTEM NOT PROVIDED.** When the manufacturer of a Product Approved side wall horizontally vented gas fueled equipment does not provide the parts for venting the fuel gases, but identifies "special venting systems", the following requirements shall be satisfied by the manufacturer.

1. The referenced "special venting system" instructions shall be included with the appliance or equipment installation instructions; and
2. The "special venting systems" shall be Product Approved by the Board, and the instructions for that system shall include a parts list and detailed installation instructions.

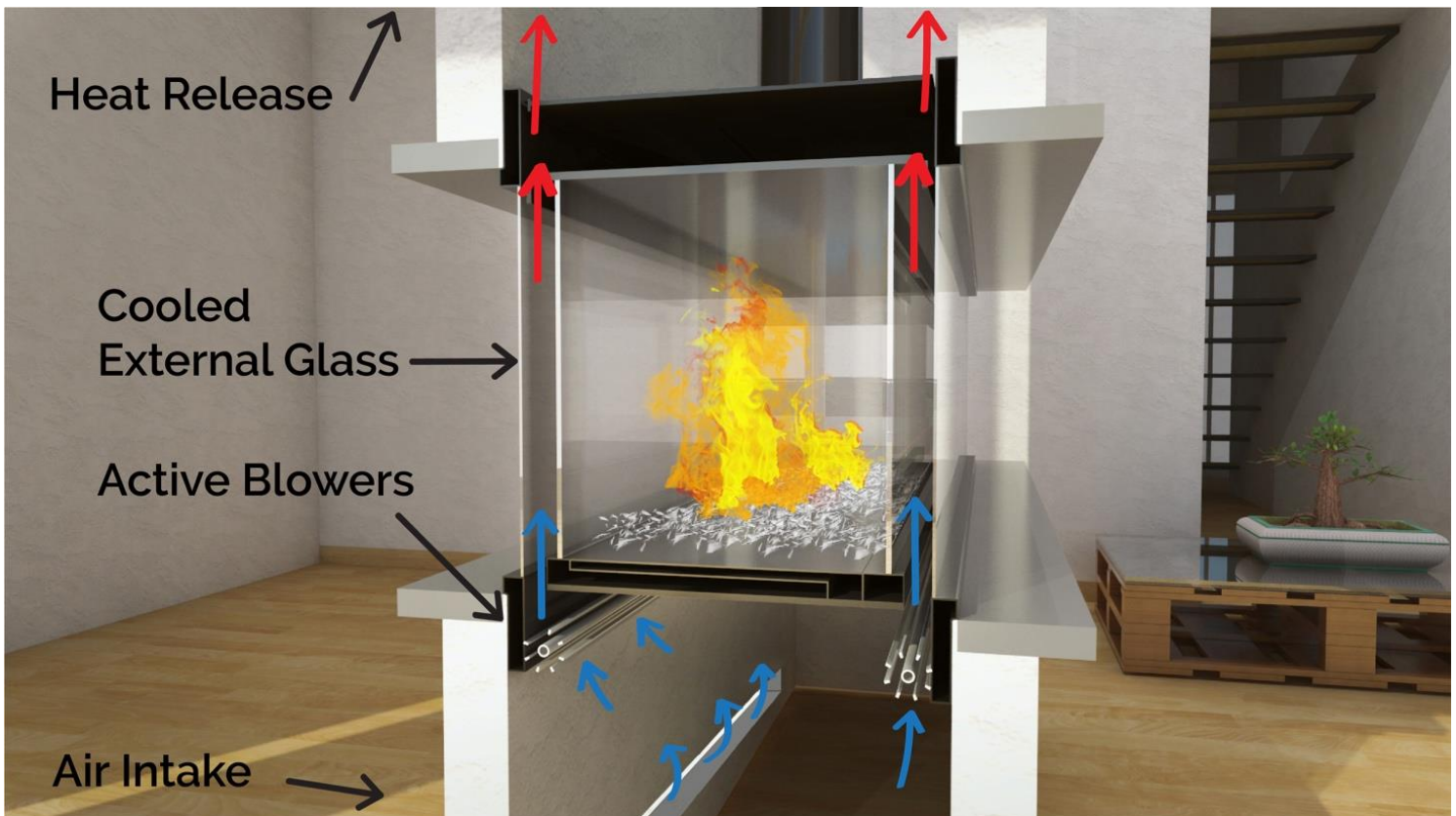
(e) A copy of all installation instructions for all Product Approved side wall horizontally vented gas fueled equipment, all venting instructions, all parts list for venting instructions, and/or all venting design instructions shall remain with the appliance or equipment at the completion of the installation.

## FLARE FIREPLACES - DOUBLE GLASS

### OVERVIEW

With an effort to make our fireplaces safer, Flare Fireplaces is offering our full line of products with safety double glass technology. The Flare Fireplace double glass is built with two layers of glass. The design allows cool air to flow between the two layers, with the help of built-in blowers, which significantly lowers the temperature of the external glass, making it safe for a brief touch. Double Glass is suitable for commercial as well as residential use.

The double glass feature provides a sleek look with no frame, while maintaining heating characteristics and efficiency. This feature does not affect the clearance or venting requirements.



---

## DOUBLE GLASS - INSTRUCTIONS

The double glass design depends on the blower's ability to move room temperature air from the lower air intake, up between the internal and external glass, through the chase above the fireplace, and out the upper heat release.

**The following sizes MUST be maintained for the upper heat release:**

For fireplaces sized **80" & 100"** – vent area must be at least **200 square inches**.

For fireplaces sized **60" & 70"** - vent area must be at least **140 square inches**.

For fireplace sized **50"** and below - vent area must be at least **100 square inches**.

**The following sizes MUST be maintained for the lower air intake:**

For fireplaces sized **80" & 100"** – vent area must be at least **100 square inches**.

For fireplaces sized **60" & 70"** - vent area must be at least **70 square inches**.

For fireplaces sized **50"** and below - vent area must be at least **50 square inches**.

**For See Through and Room Definer fireplaces, the air intake requirements are double.**

**NOTE: Openings above for Heat Release and Air Intake are measured for open air space.**

**NOTE: On all See Through and Room Definer units the air intake must be doubled**

To reduce you chase and double glass heat increase your heat release & air intake above listed minimum

The upper heat release may be a single or multiple opening if the total size of all the openings is at least the minimum requirement listed above. They can be set at the front, back, sides or top.

The lower air intake may be a single or multiple opening if the total size of all the openings is at least the minimum requirement listed above. They can be set at the front, back, or sides. It is recommended to place one long opening on below the long glass, to allow for better distribution across all fans of air taken in from the bottom. If implementing side air intakes, make sure side opening are not farther than 2 feet to the side of the fireplace.

On all **See Through** and **Room Definer** units the air intake must be double, to accommodate fans on either facing.

**Lower air intake is REQUIRED for Double Glass and units with an optional blower kit.**

---

## POWER REQUIREMENTS

The built-in active blower system for the double glass design requires a power 110v 1PH 15A.

## TELEVISION MOUNTING ABOVE FIREPLACE

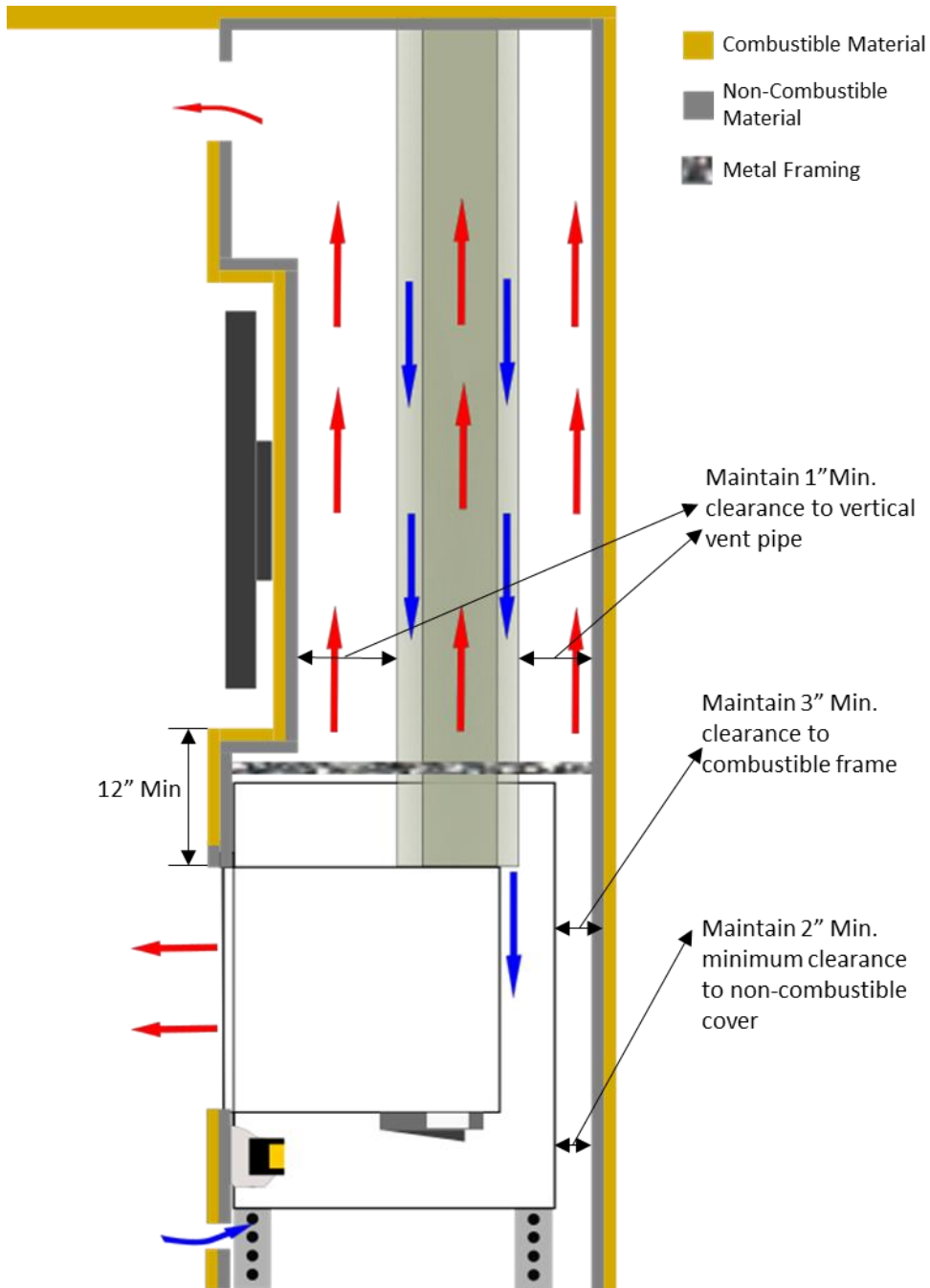
The Flare Fireplace frameless design directs the heat from the fireplace into the fireplace chase to be released from the top vent opening. The design allows for a relatively low temperature on the external wall above the fireplace.

Follow the charts and instruction below for suggested installation of a television above the fireplace

- Please note that electric wiring used for the television must be insulated when installed inside the chase above the fireplace.
- It is critical that wiring insulation **does not** obstruct the hot air flow from going to the top part of the chase to be released back to the room.
- Placing insulation above the fireplace may result in a Fire hazard. Air flow above the fireplace should remain open to allow heat to be released from the top of the chase.
- Follow the chart below for clearance and sizing.
- **It is recommended to double wall** the area behind the TV to allow cables and other related material to be installed with less concern of blocking hot air flow. Use non-combustible material for double wall.
- All wires **MUST** be secured and anchored to the frame to prevent any possibility of wires dropping on top of the Fireplace.
- TV can be recessed when installed above the Fireplace, be protected by a mantel or flush installed above the fireplace.
- Wires should be inserted into the recess from the top or sides (In order to avoid proximity to the fireplace vent).
- To reduce the amount of heat around and below the TV, **increase** the size of the [heat release](#) **above the minimum** required for your fireplace size unit.

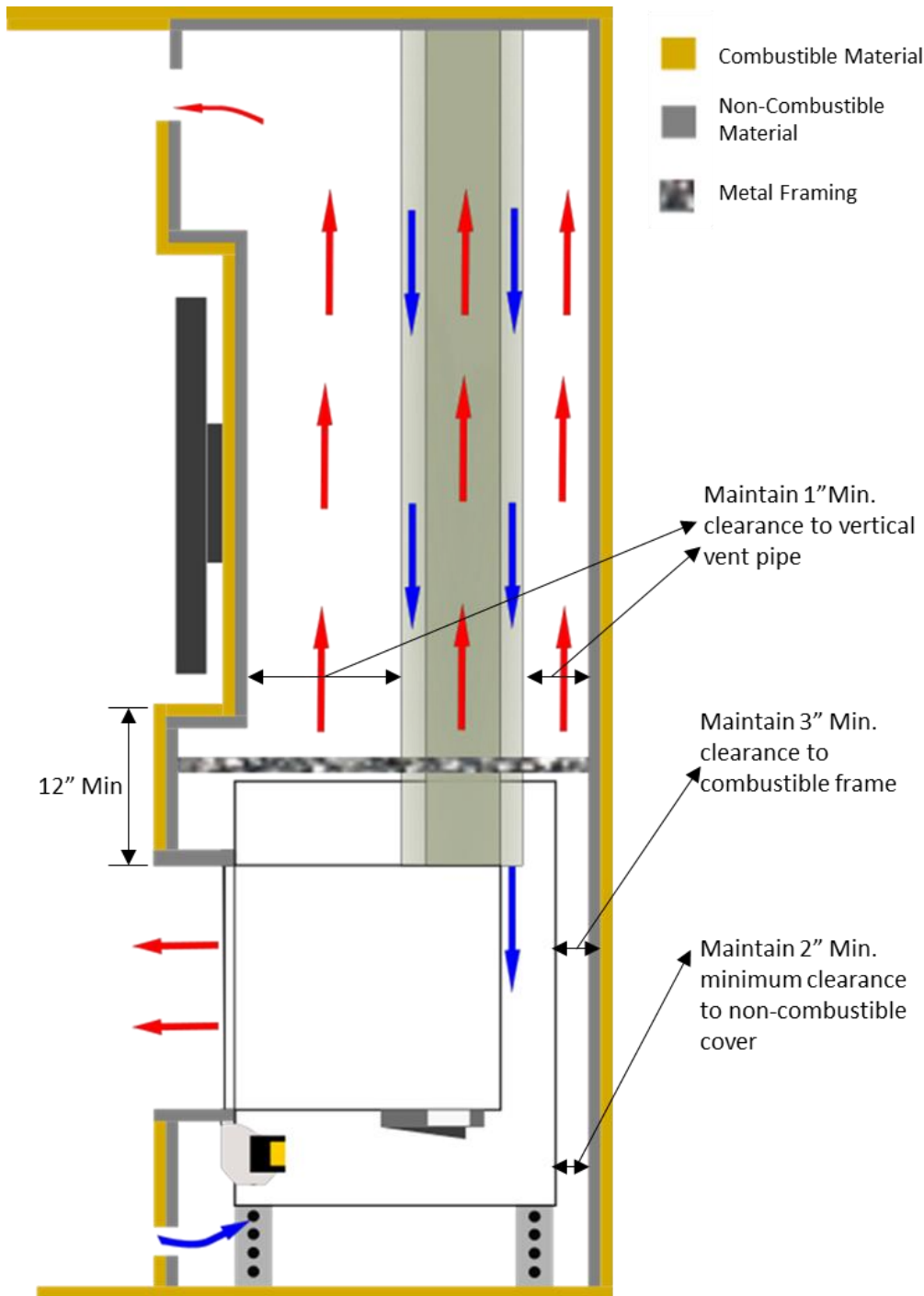
\*Please note that most television manufactures and manuals will instruct the owner **not to install** television above or near a fireplace. Mounting a television above the fireplace is based on the owner's decision and responsibility. Flare will not be held liable for any adverse effects on a TV, artwork or other equipment located near the Flare appliance. It is the customer's responsibility to verify that their TV or artwork can withstand the wall temperatures at the installation site

TV INSTALL – FLAT EXAMPLE



**Warning!** – Maintain open Air flow between the fireplace and wall covers. Make sure cables or any other materials are not blocking hot air flow.

## TV INSTALL – L TYPE EXAMPLE



**Warning!** – Maintain Open Air flow between the fireplace and drywall. Make sure cables or any other materials are not blocking hot air flow.

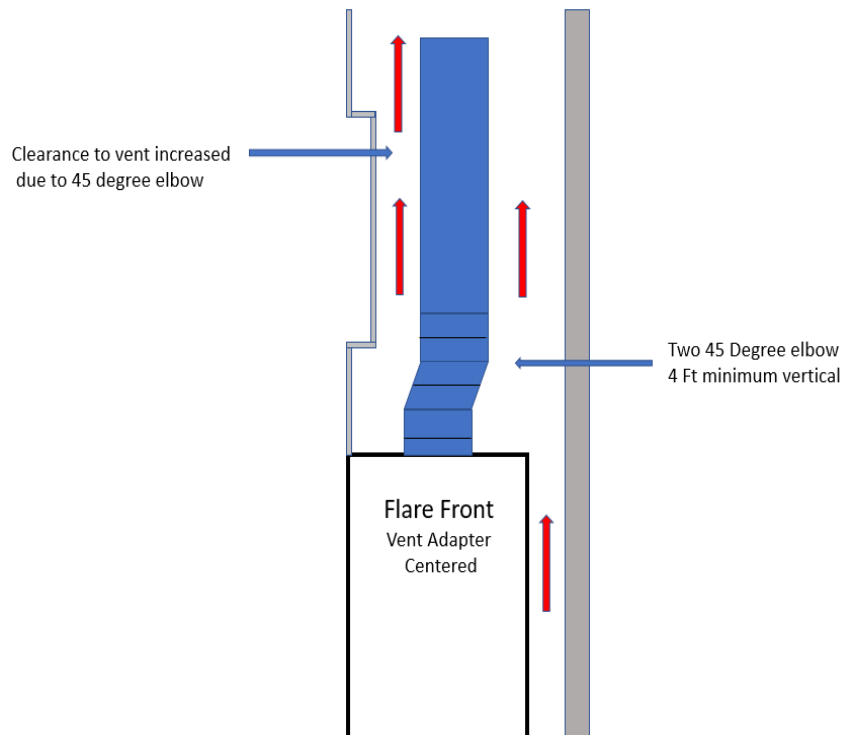
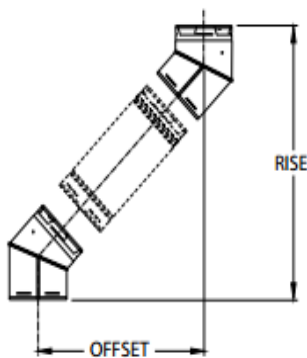
TV INSTALL RECESS – 45 DEGREE ELBOW ON TOP OF THE UNIT

When planning a TV recess, clearance to the vent in the chase is critical and needs to be a minimum of 1” to the non-combustible recessed wall. This is to prevent heat from radiating from the vent to the recessed wall and being transferred to the TV.

Due to the central location and diameter of the vent (8 inches), one of the following solutions may be necessary to maintain the clearance requirement:

1. Install the fireplace with a recess up to 4” inches at the top of the glass, which will bring the front wall out and allow for space to recess also the TV. See an example of this on the [previous page](#).
2. Install two 45 elbows directly above the fireplace followed by a minimum 4 ft vertical vent rise. The two small elbows will move the vertical section back 5 5/8”. Note that the 1-inch clearance from the vent applies also to the back non-combustible wall.
3. Do not use any elbow with an angle larger than 45 degrees.
4. A 4 ft minimum vertical vent must be used after the two 45-degree elbows.
5. **Above vent path should be used for Flare Front and Flare See Through only.**

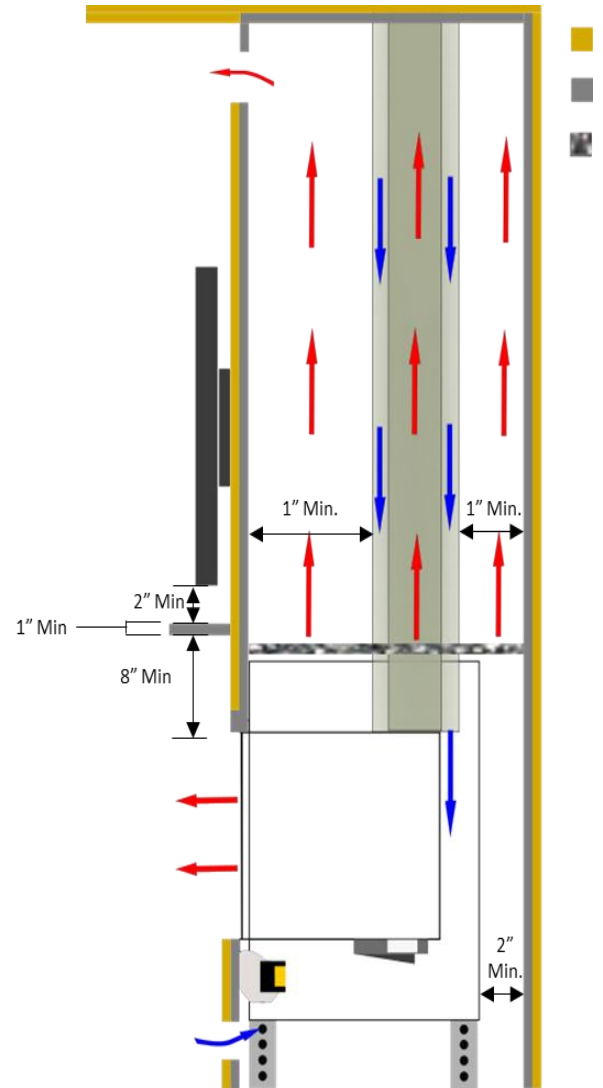
4x6		5x8	
Offset	Rise	Offset	Rise
5”	13 1/2”	5 5/8”	15 3/8”



TV INSTALL WITHOUT RECESS – MANTEL INSTALLATION

Minimum Requirements for Installing a Television without a Recess:

- The TV must be at least 11 Inches total above the glass of the fireplace
- A mantel at least 1 inch thick and 6 inches deep should be installed a minimum of 8 inches above the glass.
- The TV must be at least 2 inches above the mantel and 1 inch back from the edge of the mantel.
- To reduce the amount of heat around and below the TV, increase the size of the [heat release](#) above the minimum required for your unit.
- All measurements shown are minimum requirements.

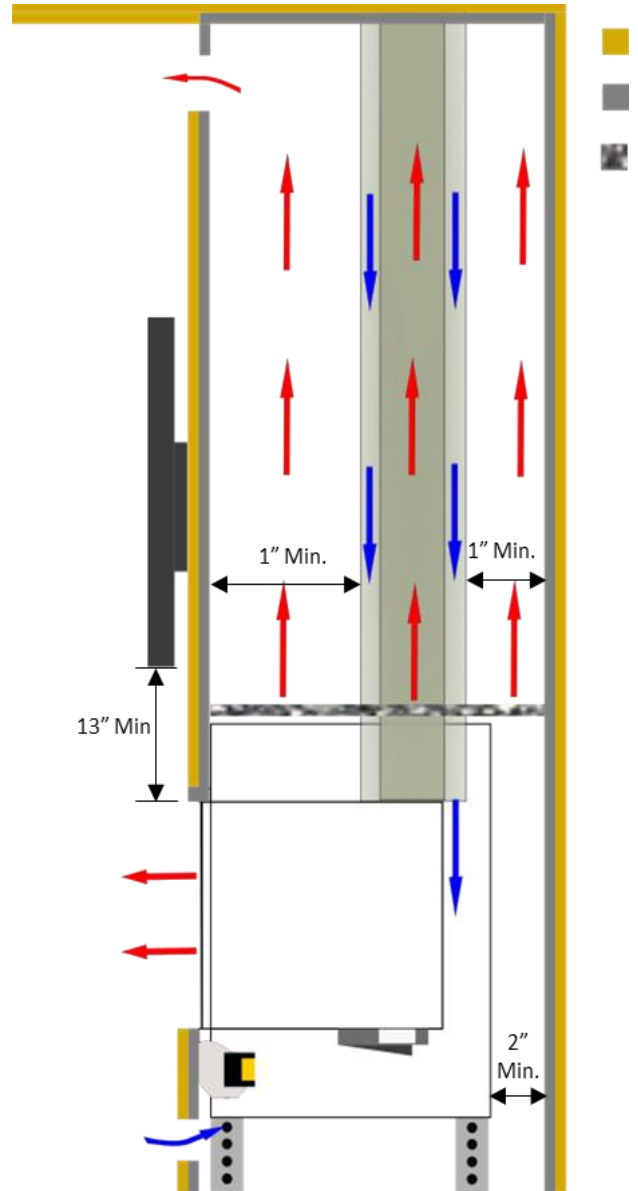


\*Please note that most television manufactures and manuals will instruct the owner not to install television above or near a fireplace. Mounting a television above the fireplace is based on the owner’s decision and responsibility. Flare will not be held liable for any adverse effects on a TV, artwork or other equipment located near the Flare appliance. It is the customer’s or contractor responsibility to verify that their TV or artwork can withstand the wall temperatures at the installation site.



TV INSTALLED FLUSH ABOVE FIREPLACE

- Keep a minimum of 13” inches between the fireplace opening and the TV.
- To reduce the amount of heat around and below the TV, increase the size of the [heat release](#) above the minimum required for your unit.
- Hot air flow inside the chase (marked in red arrows) should be maintained and free from obstruction to allow heat to release freely at the top of the chase.
- All measurements shown are minimum requirements.



\*Please note that most television manufactures and manuals will instruct the owner not to install television above or near a fireplace. Mounting a television above the fireplace is based on the owner’s decision and responsibility. Flare will not be held liable for any adverse effects on a TV, artwork or other equipment located near the Flare appliance. It is the customer’s or contractor responsibility to verify that their TV or artwork can withstand the wall temperatures at the installation site.

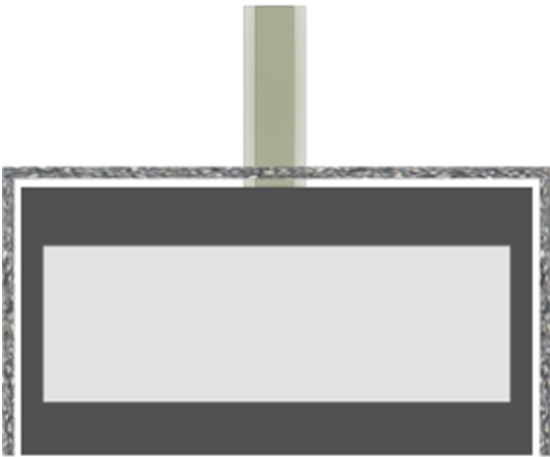
CLEARANCES

GENERAL INFORMATION AND STEPS

## FLARE GUIDE TO CLEARANCES

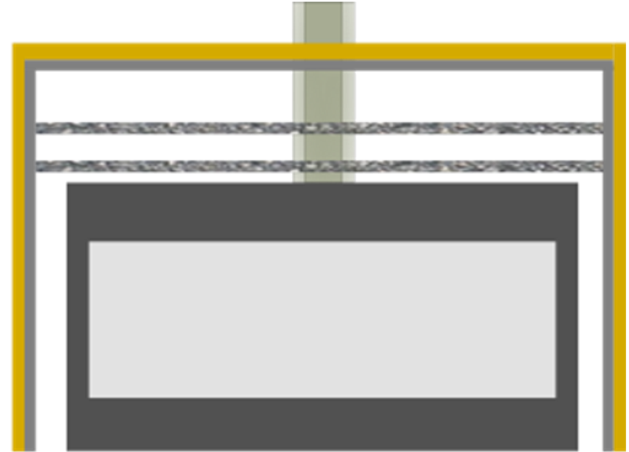
### Metal Studs

Clearance to side stud: ½”  
 Clearance to Non-Combustible Back Wall: 2” Min.  
 Clearance above fireplace: 18” Non-Combustible Zone  
 \*\*\*METAL FRAMING ONLY FIRST 18” ABOVE FIREPLACE\*\*\*



### Wood Studs with Metal Header

Clearance to Non-Combustible Board (SIDES): 2” Min  
 Clearance to Non-Combustible Board (BACK WALL): 2” Min.  
 Clearance to Covered Combustible Stud (WOOD): 3” Min.  
 Clearance above fireplace: 18” Non-Combustible Zone.  
 \*\*\*METAL FRAMING ONLY FIRST 18” ABOVE FIREPLACE\*\*\*



Metal Frame



Non-Combustible Board



Wood Framing

All materials inside the chase and above the Fireplace must be **non-combustible** or **covered** combustible only

See more clearance information in the following pages

1. **Floor clearance** – The minimum clearance to floor is 1 inch, although the minimum telescopic legs retract to 4 inches below the fireplace. This means the legs may be set into the floor a maximum of 3 inches while maintaining the minimum clearance to the floor. Recessing the legs to the floor is not a recommended setup and should be avoided.

**NOTE:** Install appliance on hard metal, cement board, drywall or wood surfaces, extending full width and depth.

**WARNING! - DO NOT** install directly on carpeting, vinyl or any combustible material other than wood.

2. **Front clearance** - Do not put furniture or any combustible objects within 36 inches (914 mm) of glass front of appliance.
3. **Clearance to Metal frame** – Clearance to metal frame is 1/2-inch (12.7 mm) minimum. In the chase, a metal header is required 18 inches above the fireplace if framing is needed. Above that, wood studs covered by non-combustible material are allowed. See the next page for details.
4. **Minimum Combustible Clearances from Vent Pipe** –
  - HORIZONTAL VENT PIPE CLEARANCES: A minimum clearance of 3 inches (76mm) to the top and 1 inch (25mm) to the sides and bottom of the vent pipe on all horizontal runs, to combustibles, is required.
  - VERTICAL VENT PIPE CLEARANCES: A minimum of 1 inch (25mm) around the vent pipe on all vertical runs, to combustibles, is required. Except for clearances in appliance enclosures.
  - Horizontal Vents must have a minimum 1/4 inch (6mm) rise per 1-foot run towards the termination.

**WARNING! -** Never allow the vent to run downward. A downward slope can trap heat and become a possible fire hazard.

**WARNING!**

Maintain vent clearance to combustibles as detailed above.

DO NOT pack air space with insulation or other materials.

Failure to keep insulation or other materials away from vent pipe could cause overheating and fire.

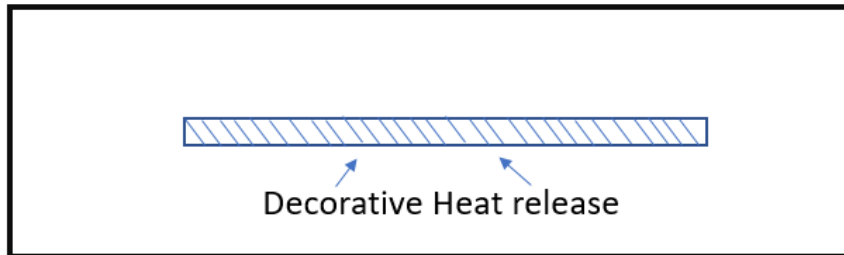
**WARNING!**

Flare fireplaces are not designed to be load bearing or support weight of any architectural framing. All framing should be self-supported, supported by back wall, side wall, or ceiling. Attempting to mount framing to a fireplace subjects' glass to unsupported weight and could result in damage to fireplace or breakage of glass. Improper framing or mounting to unit will void product warranty. Please consult Flare Fireplaces directly for additional questions or concerns about framing options.

5. **Mantel Clearance** – Combustible mantel clearance can vary according to the mantel depth and height. [Use table and diagram on page 70 for guidelines on Mantel Installation](#)

6. **Fireplace shelf enclosure** – The minimum height to the inside of a shelf above the fireplace is 6 inches (12 inches above the glass). The shelf must be built with non-combustible material at least 5/8" thick. Due to the low size of shelf enclosure, it is recommended to build the enclosure using a Skamol board. The Skamol board is a light non-combustible material that can help prevent the formation of cracks and is a good insulator. The shelf enclosure **MUST** comply with Flare heat release requirements.

**SHELF TOP VIEW**



7. **Ceiling Clearance-**

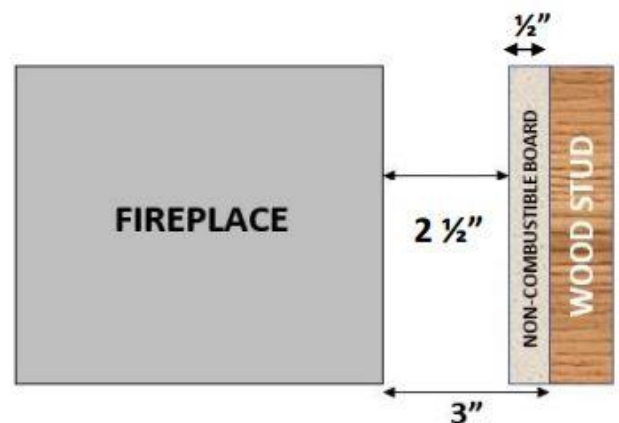
The minimum ceiling height for a Flare Fireplace is 40"

**The heat release above the fireplace is critical for keeping the chase and surrounding walls at a relatively low temperature.**

8. **Minimum clearance to sides and back - Non-combustible** – The minimum clearance from the back and sides of the fireplace to any **non-combustible** material (i.e. cement board or Type X fire rated board) is 2 inches. This clearance allows for proper air flow.
9. **Minimum clearance to sides and back – Covered combustible** - Combustible material at the back or sides of the fireplace, **MUST** be covered with non-combustible material that is at least ½ inch thick.

Covered wood can be placed a minimum 3" away from the side and back.

**Example:** A non-combustible cement board is placed 2 ½" inches from the back of the fireplace. The cement board used is ½" inch thick. Combustible material can be used behind cement board as it is a total of 3 inches away from the back of the fireplace and is covered with a non-combustible material.



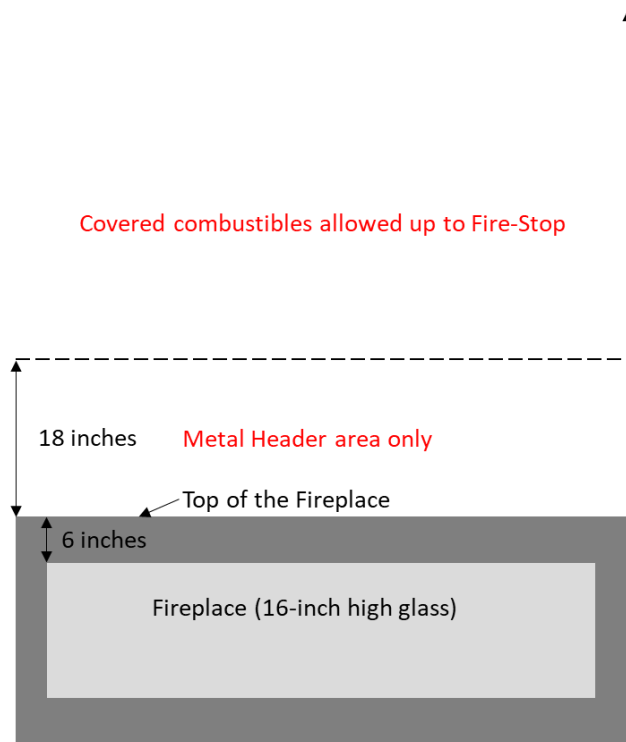
10. **Minimum clearance to sides and back – Combustible** – Clearance to **combustible** material at the back or sides of the fireplace, below the non-combustible line is **8"**. Please note this **does not** include minimum clearance directly above the fireplace inside the chase. Please see items starting at 12.
11. **Minimum clearance directly above the fireplace inside the chase – non-combustible** – All non-combustible studs to be installed a minimum of ½" away from the fireplace. Metal studs should not connect to the fireplace or touch the fireplace. Doing so will result in heat transfer from the fireplace to the metal stud. Make sure not to block hot air flow to the heat release.

12. Minimum clearance directly above the fireplace inside the chase – Combustible

- First 18” directly above the fireplace **MUST** be framed using non-combustible material. Metal Studs. **Zone A**
- All combustibles above the 18” must be covered. **Zone B.**

There should be no combustible materials left uncovered above the fireplace inside the chase.

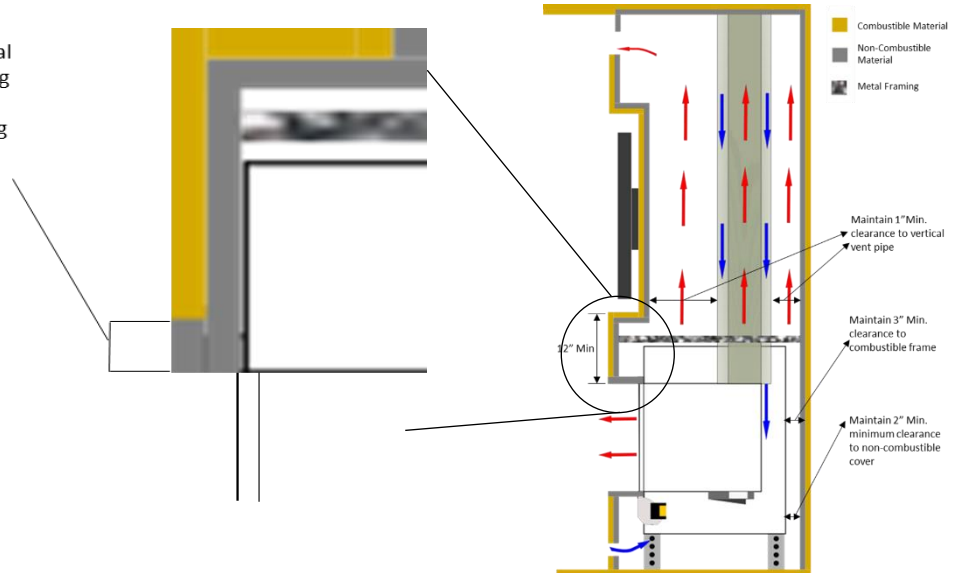
Fireplace chase should be designed and built to allow hot air to release from the unit and rise-up in a non-combustible channel to the heat release.



13. Chase ceiling- Top of the chase must be covered with noncombustible material (Firestop). No exposed combustible materials are allowed inside the chase.

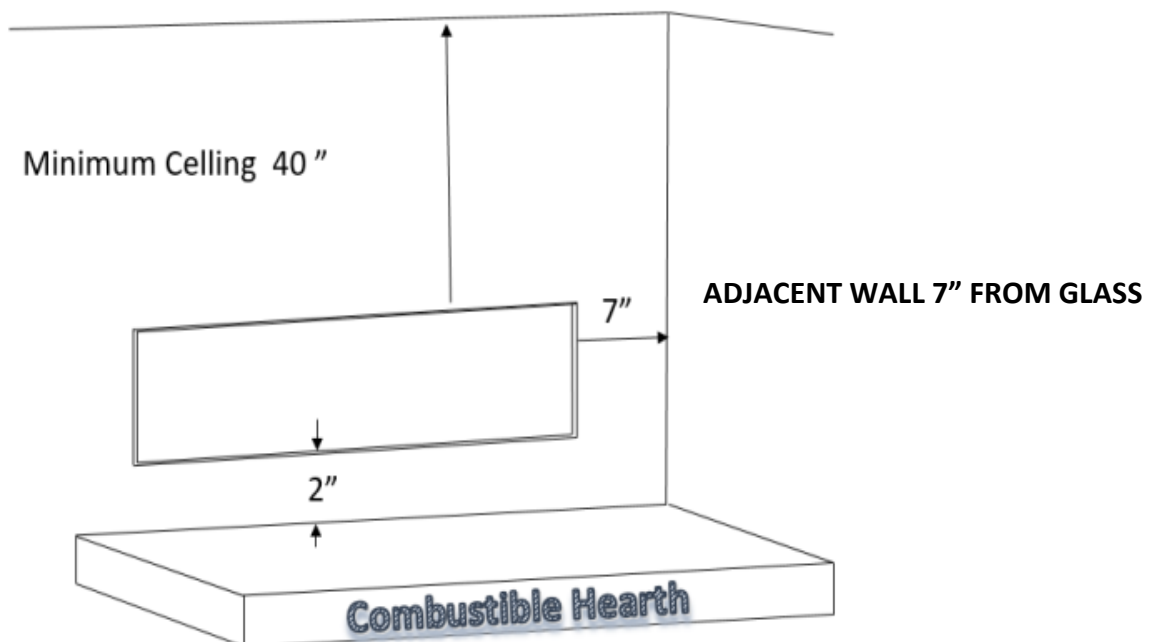
14. **Finishing around front of the fireplace** - Non-combustible finishing material (i.e. cement board, brick, stone, tile & minimum ½” inch Type X fire rated drywall) **MUST** be used to finish around the front of the appliance. Covered combustible material, can be used to finish around the fireplace, if the proper distance from the fireplace is maintained. Use example below to find proper distance.

Non-Combustible finishing material must protect Combustible finishing material at minimum 2” above fireplace glass. For thicker finishing materials, consult shelf clearance requirements.



**DO NOT connect materials to or drill into the metal fireplace frame. This can result in excessive heat transfer and/or damage to the fireplace and surrounding materials.**

15. **Hearth Clearance** - Clearance to an **uncovered combustible hearth** below the glass is **2 inches**. A combustible hearth may be covered with at least ½” inch thick non-combustible material which is placed directly below the glass. Any combustible supporting material, such as wood studs must also be covered with ½” thick non-combustible material. A **non-combustible** hearth can be installed directly below glass level.
16. **Adjacent Wall** – Distance to any side adjacent wall must be at least 7 inches from the glass.



## CLEARANCES SPECIFICATION

### Non-Combustible Materials Specification

Material which will not ignite and burn. Such materials are those consisting entirely of steel, iron, brick, tile, concrete, slate, glass or plasters, or any combination thereof. Materials that are reported as passing ASTM E 136, Standard Test Method for Behavior of Materials in a Vertical Tube Furnace at 750 °C shall be considered non-combustible materials. Non-combustible cement board approve must be at least 1/2" (13 mm) thick.

Non-combustible material may be installed on the fireplace frame to cover the metal part as detailed in the installation examples and clarifications only if there is no weight transfer to the fireplace. Facing and/or finishing materials must never overhang into the glass opening.

**DO NOT** connect materials to or drill into the metal fireplace frame. This can result in excessive heat transfer and/or damage to the fireplace and surrounding materials.

All joints between the finished wall sheathing and the appliance must be sealed with non-combustible materials.

**WARNING!** Risk of Fire! DO NOT apply combustible materials beyond the minimum clearances. Comply with all minimum clearances to combustibles as specified in this manual.

Examples of noncombustible materials to be used:

- Skamol Skamotec
- Promat PROMAFour System 1/2"/12 mm, 5/8"/15 mm, 3/4"/18 mm
- James Hardie - Hardiebacker® 1/2" Cement Board
- 5/8" Type X fire rated drywall. Type X gypsum board must comply with ASTM C1396 specification. Type X fire rated gypsum board can be used around the fireplace or at the back as a non-combustible material.

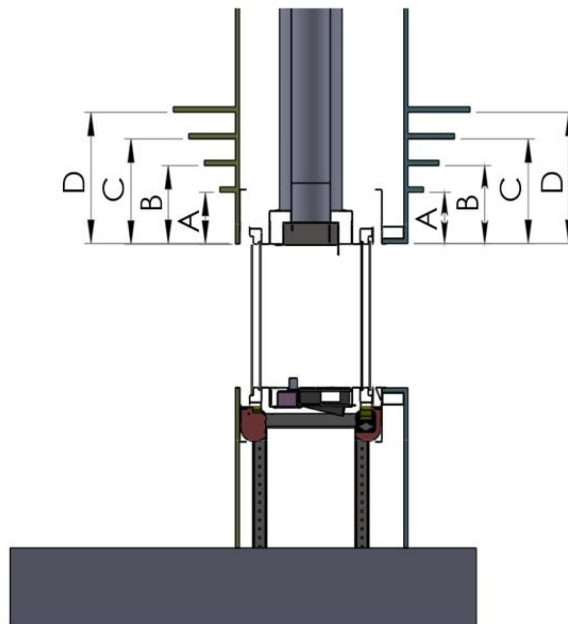
### Combustible Materials Specification

Materials made of or surfaced with wood, compressed paper, plant fibers, plastics, or other material that can ignite and burn, whether flame-proofed or not, or plastered or un-plastered shall be considered combustible materials.

**MANTEL CLEARANCE**

Combustible mantel clearance can vary per the mantel size and location. Use chart and provided table for information on mantel install. Do not anchor any mantel or shelf to the fireplace. Only use metal studs above the fireplace as anchor points

REF	Height	Mantel Depth
A	2"	1"
B	4"	4"
C	6"	6"
D	10"	12"

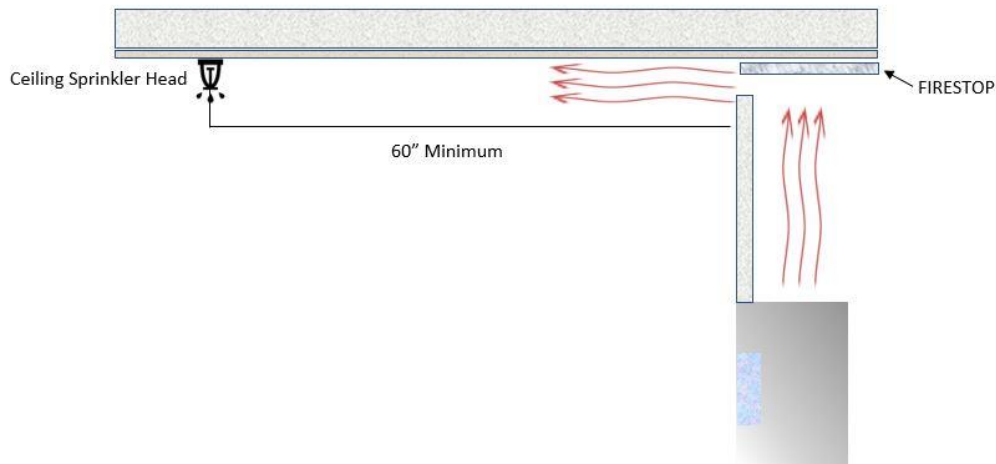


Mantel Clearance table and example



## CLEARANCE TO SPRINKLER

In a situation where a sprinkler head is installed within proximity to a Heat Release, the diagram below **MUST** be followed. The distance between the sprinkler head & Heat Release opening cannot be less than 60" in length at every point from the origin of the Heat Release. You must also verify the sprinkler head sensor is set to the proper heat setting so it does not activate when the room heats up from the fireplace being operated normally. Please follow local building code to determine what temperature setting is relevant for your installation.



## WARNING

**VAULTED CEILINGS CAN CREATE A CHANEL THAT FUNNELS HOT AIR DIRECTLY TOWARDS A SPRINKLER HEAD PLACED AT THE PROPER DISTANCE FROM HEAT RELEASE, AS STATED ABOVE. IF SPRINKLER HEAD SENSOR IS NOT RATED FOR HIGH HEAT IT COULD POTENTIALLY SET OFF THE SPRINKLER SYSTEM INADVERTENTLY. PLEASE WORK WITH BUILDER & INSPECTOR TO VERIFY YOUR SPRINKLER SYSTYEM IS PROPERLY SET TO ACCOMMODATE HIGHER TEMPERATURES & IS NOT SET UP IN A HEAT CHANEL**

## HEAT RELEASES

All Flare Fireplaces (both safety screen and double glass units) require heat releases for warm air to flow back into the room. This controls the temperature of the surrounding walls, keeping them relatively cool.

**Top Hot Release** - The release/ outlet for hot airflow from the wall enclosure **MUST** remain open. The outlet must be at the top part of the enclosure but not necessarily at the front, so long as the measurements below are maintained. Heat release opening can be installed at the sides of the enclosure (one on every side), back or on top of (in case of a drop wall design).

For fireplaces sized **80" & 100"** – vent area must be at least **200 square inches**.

For fireplaces sized **60" & 70"** - vent area must be at least **140 square inches**.

For fireplace sized **50"** and below - vent area must be at least **100 square inches**.

The top of the outlet(s) must be at least 1" (25mm) down from the ceiling and no more than 3" (76mm) down. The vent can also be installed on top of the enclosure, in case of a drop wall (a chase that is not built all the way to the upper ceiling). Any opening greater than the minimum size is highly recommended and will help reduce the temperature of the surrounding walls.

**Make sure a non-combustible fire stop is placed atop the inside of the chase and is framed in a way that does not allow any pockets of heat to be formed.** All rising heat should be able rise to the fire stop and freely flow through the vent in to the room.

## AIR INTAKE

Flare Fireplace offers units with Double Glass or an optional Blower Kit require air intake below the glass. This allows air circulation which cools the external glass and increases the efficiency of the fireplace. See diagram on page 63. **Lower Air Intake** - **Optional** for normal safety screen installation. **Required** for installation with double glass or safety screen with optional blower kit.

For fireplaces sized **80" & 100"** – vent area must be at least **100 square inches**.

For fireplaces sized **60" & 70"** - vent area must be at least **70 square inches**.

For fireplaces sized **50"** and below - vent area must be at least **50 square inches**.

**For See Through and Room Definer fireplaces, the air intake requirements are double.**

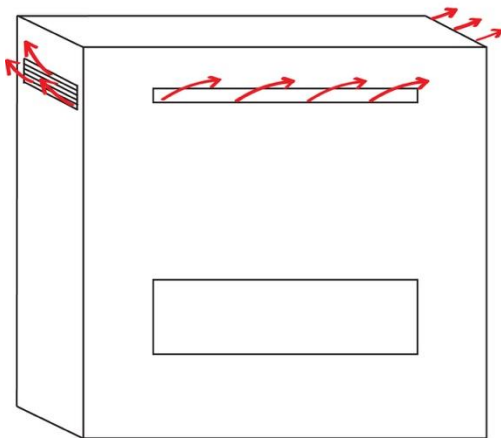
**NOTE: Openings above for Heat Release and Air Intake are measured for open air space.**

Lower vent opening can also be used as an access door to the gas valve, if it meets both requirements in terms of size. Lower vent opening can be installed at the sides of the enclosure (one on every side), back or front. It is recommended to place one opening on either side of longer units, to allow for better distribution across all fans of air taken in from the bottom.

EXAMPLES OF HEAT RELEASES

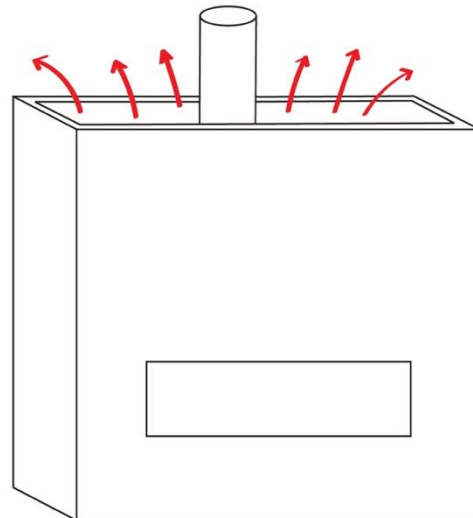
## Classic Registers

Openings at the front, sides, or back (pick one or more) can be covered with vent registers. It is possible to heat multiple rooms this way.



## Drop Wall

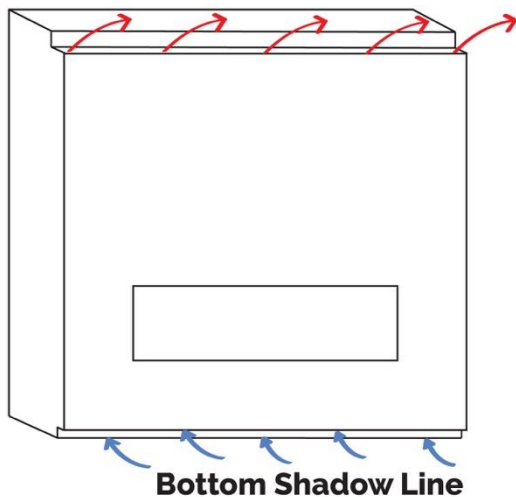
The wall does not reach to the ceiling and is left open on top.



## Shadow Line

A recess hides the opening at the top for heat release or at the bottom for air intake (for double glass units).

Top Shadow Line

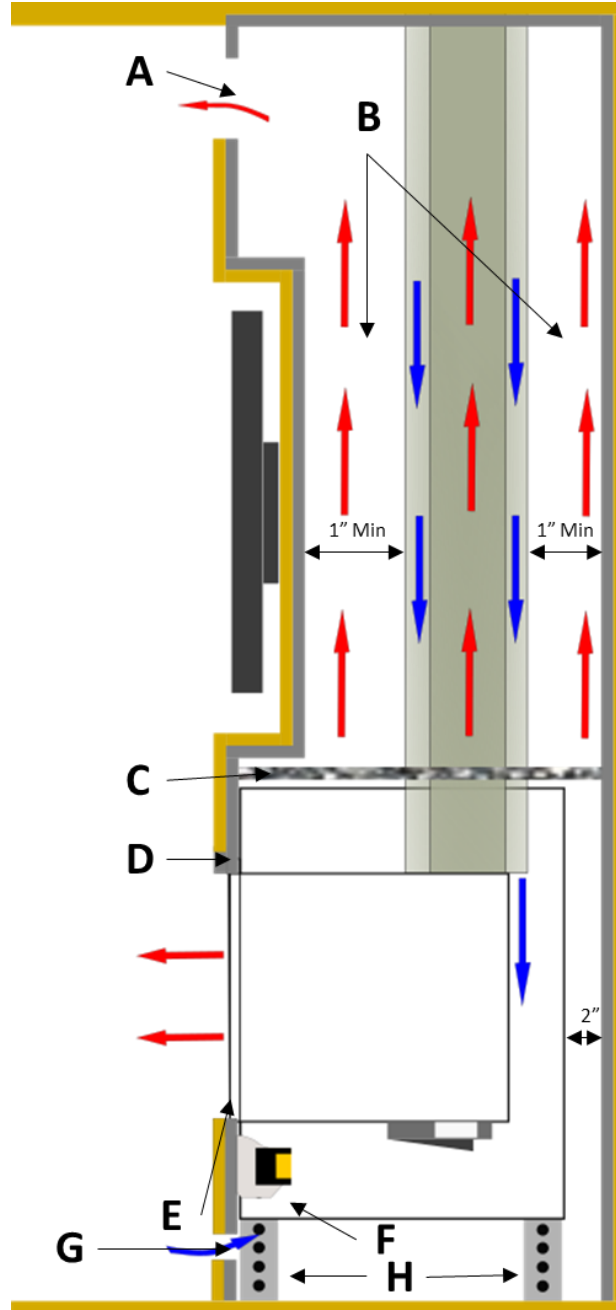


Finished Shadow Line Heat Release



## FLARE FRONT, SEE THROUGH, AND CORNER FIREPLACE CLEARANCE

### FLAT – SIDE AND ISOMETRIC VIEW



**Warning!** – Maintain open Air flow between the fireplace and drywall. Make sure cables or any other materials are not blocking hot air flow.

**A.** Top Vent system - Hot Airflow outlet from the wall enclosure **MUST** remain open. The outlet must be at the top part of the enclosure, but not necessarily at the front, if the measurements below are maintained.

For fireplaces sized **80" & 100"** – vent area must be at least **200 square inches**.

For fireplaces sized **60" & 70"** - vent area must be at least **140 square inches**.

For fireplace sized **50"** and below - vent area must be at least **100 square inches**.

**B.** Open air flow for hot air to rise from the fireplace to the top of the enclosure. The enclosure can be supported by studs, but open-air flow **MUST** be maintained at all time. In case needed, insulation for electric wires or systems may be added but it is **important** to keep most of the air flow open. **Never place any insulation on the fireplace.**

**C.** Metal Stud below non-combustible material line. Below non-combustible line, all studs used should be metal type. No studs to be connected to the fireplace frame (1/2 Inch clearance). Open hot airflow **MUST** be maintained and should not be blocked.

**D.** Non-combustible material is placed flat on the front fireplace support bracket. The support bracket holds the fire-rated, non-combustible, material and allows hot air to rise from the glass into the fireplace enclosure. Hot air is to be released into the room using the top static vent opening.

The fireplace enclosure must allow air to rise and circulate from the top of the fireplace glass (from lower vent opening), to be released back to the room from the top.

To increase heating, the enclosure should prevent hot air from being released to the attic by venting it back to the room using the static vent system (A).

Non-combustible stud **MUST NOT** be connected or drilled into the fireplace frame. Drilling into the fireplace frame can result in damage to the fireplace.

**E.** Cold air, drafted from the room through the lower static vent, (G) flows up and is heated by the fireplace. The Cold air gap should remain open to allow air to flow up and exchange heat with the fireplace. The fireplace can be installed with double glazing glass system or safety screens. Blower system may be used to push cold air up (F).

**F.** Heat exchange blowers are optional when fireplace is installed with safety screens. Heat exchange blowers must be included when installing a double-glazing fireplace. The blowers are designed to move cold air from the room using the lower vent opening (G) up against the fireplace glass. As the air flows on the glass, it is heated and released back to the room from the glass front and from the top (A) vent opening.

**G.** Lower vent opening. **OPTIONAL** for normal installation. A **MUST** for double glass installation or blower kit option.

For fireplaces sized **80" & 100"** – vent area must be at least **100 square inches**.

For fireplaces sized **60" & 70"** - vent area must be at least **70 square inches**.

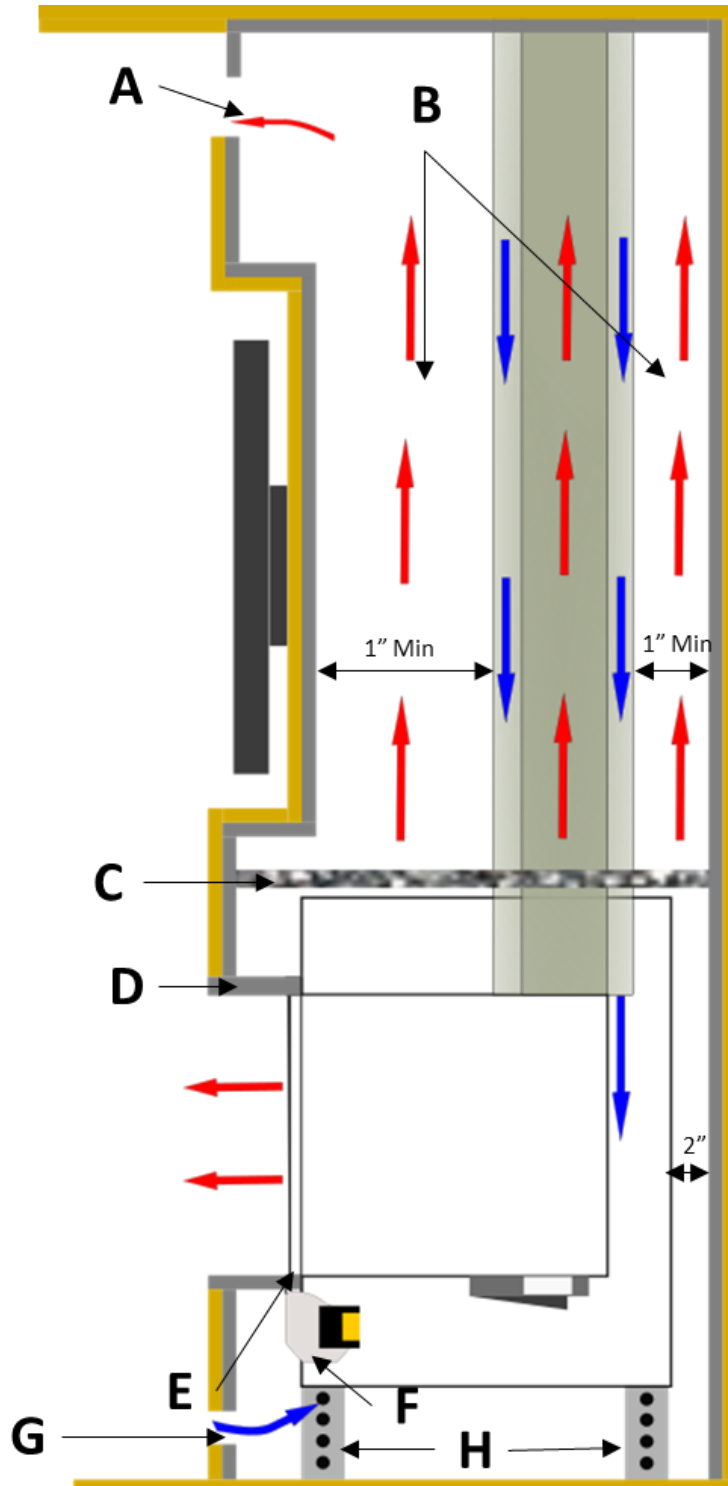
For fireplaces sized **50"** and below - vent area must be at least **50 square inches**.

**For See Through and Room Definer fireplaces, the air intake requirements are double.**

**NOTE: Openings above for Heat Release and Air Intake are measured for open air space.**

**H.** Adjustable fireplace legs.

## L SHAPE – SIDE AND ISOMETRIC VIEW



**WARNING!** Maintain open air between the fireplace and drywall. Make sure cables or any other materials are not blocking hot air flow.

**A.** Top Vent system - Hot Airflow outlet from the wall enclosure **MUST** remain open. For Flare See Through fireplace, open vent must exist in both sides of the glass. The outlet must be at the top part of the enclosure but not necessarily at the front if the measurements below are maintained.

For fireplaces sized **80" & 100"** – vent area must be at least **200 square inches**.

For fireplaces sized **60" & 70"** - vent area must be at least **140 square inches**.

For fireplace sized **50"** and below - vent area must be at least **100 square inches**.

**B.** Open air flow for hot air to rise from the fireplace to the top of the enclosure. The enclosure can be supported by studs, but open-air flow **MUST** be maintained at all time. In case needed, insulation for electric wires or systems may be added but it is **important** to keep most of the air flow open. **Never place any insulation on the fireplace.**

**C.** Metal Stud below non-combustible material line. Below non-combustible line, all studs used should be metal type. No studs to be connected to the fireplace frame (1/2 Inch clearance). Open hot airflow **MUST** be maintained and should not be blocked.

**D.** Non-combustible material is placed flat on the front fireplace support bracket. The support bracket holds the fire-rated, non-combustible, material and allows hot air to rise from the glass into the fireplace enclosure. Hot air is to be released into the room using the top static vent opening.

The fireplace enclosure must allow air to rise and circulate from the top of the fireplace glass (from lower vent opening), to be released back to the room from the top. To increase heating, the enclosure should prevent hot air from being released to the attic by venting it back to the room using the static vent system (A).

Non-combustible stud **MUST NOT** be connected or drilled into the fireplace frame. Drilling into the fireplace frame can result in damage to the fireplace.

**E.** Cold air, drafted from the room through the lower static vent, (G) flows up and is heated by the fireplace. The Cold air gap should remain open to allow air to flow up and exchange heat with the fireplace. The fireplace can be installed with double glazing glass system or safety screens. Blower system may be used to push cold air up (F).

**F.** Heat exchange blowers are optional when fireplace is installed with safety screens. Heat exchange blowers must be included when installing a double-glazing fireplace. The blowers are designed to move cold air from the room using the lower vent opening (G) up against the fireplace glass. As the air flows on the glass, it is heated and released back to the room from the glass front and from the top (A) vent opening.

**G.** Lower vent opening. **Optional** for normal installation. A **Must** for double glass installation or blower kit option.

For fireplaces sized **80" & 100"** – vent area must be at least **100 square inches**.

For fireplaces sized **60" & 70"** - vent area must be at least **70 square inches**.

For fireplaces sized **50"** and below - vent area must be at least **50 square inches**.

For See Through and Room Definer fireplaces, the air intake requirements are **double**.

**NOTE: Openings above for Heat Release and Air Intake are measured for open air space.**

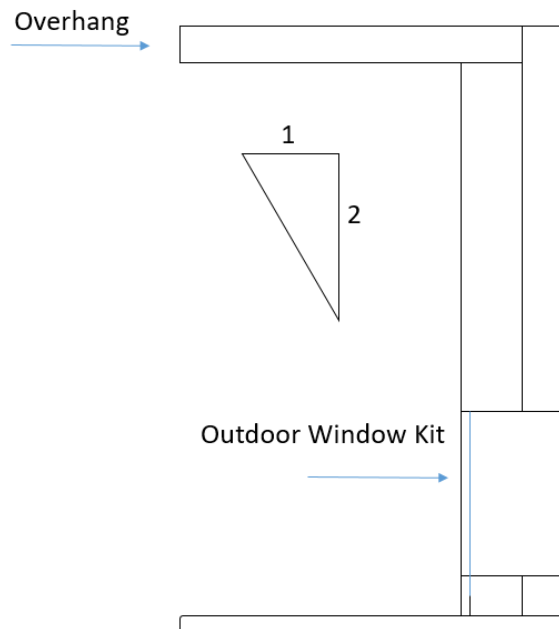
**H.** Adjustable fireplace legs.

## INDOOR/OUTDOOR KIT

The following installation information is used for the Flare Fireplace outdoor kit. The outdoor window kit can only be used with Flare Front and Flare See Through. The Flare outdoor kit is installed like a window. The fireplace is then installed next to the outdoor window kit. All fireplace clearances must be followed when installing a Flare Fireplace next to a window kit.

## APPLIANCE LOCATION

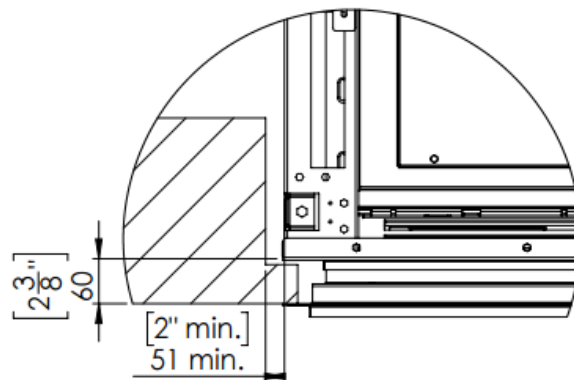
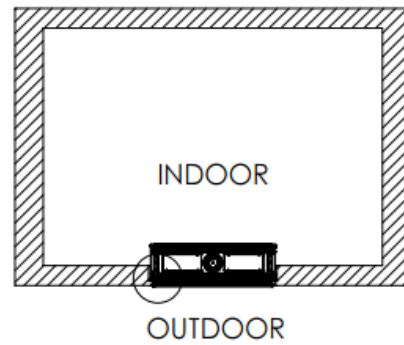
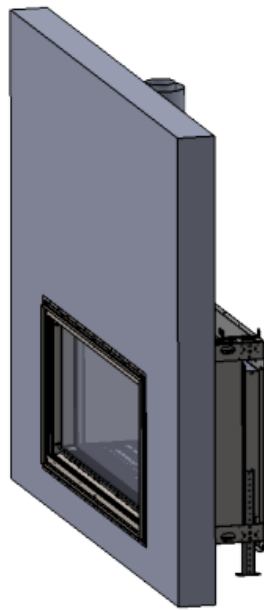
- The Fireplace needs to be installed in a weatherproof enclosure. The Fireplace outdoor kit is made from stainless steel and is weatherproofed from the front glass only. The Fireplace must be installed in a weatherproof enclosure from the top, side and bottom.
- Overhang requirement. Weatherproof overhang in front of fireplace is 1/2 of the height of the overhang measured from the base of the unit.



- All the fireplace controls and gas components need to be installed in a weatherproof enclosure.
- The outdoor kit will tolerate moderate amounts of water on an occasional basis but is not waterproof. The fireplace must be enclosed in a weatherproof enclosure covered in typical weatherproof material, such as siding/ stucco/stone/tile, etc. and have a weatherproof structure to shed water that extends horizontally beyond the front and side perimeter of the fireplace. Water running down vertical surfaces should be directed away from the fireplace using flashings. Measures must be taken to ensure any accumulated water drains away from the fireplace and structure. When the fireplace is installed on surfaces where water may collect or cause damage, a suitable drainage pan should be placed under the unit and the water drained away.
- Do not use the remote-controlled handset supplied with the appliance. The use of the thermostat on the remote may result in continued operation of the fireplace.
- Exposure to outdoor sun - Exposure to outdoor sun light will cause some painted finishes to fade over time. Fading is unavoidable and not covered under warranty. Minimize fading by installing the fireplace away from direct sunlight.



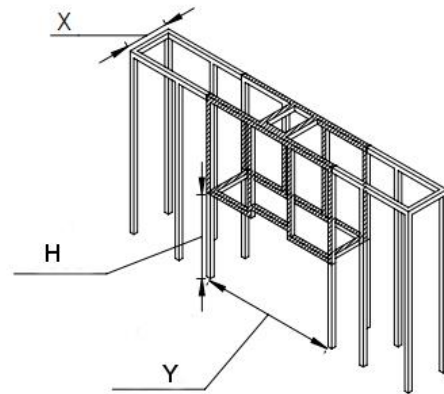
## Appliance Location and Specifications



- Make sure the fireplace is fully turned off when attempting to clean the front of the fireplace (including pilot).
- Use the Flare architectural guide for information on the window size and opening:

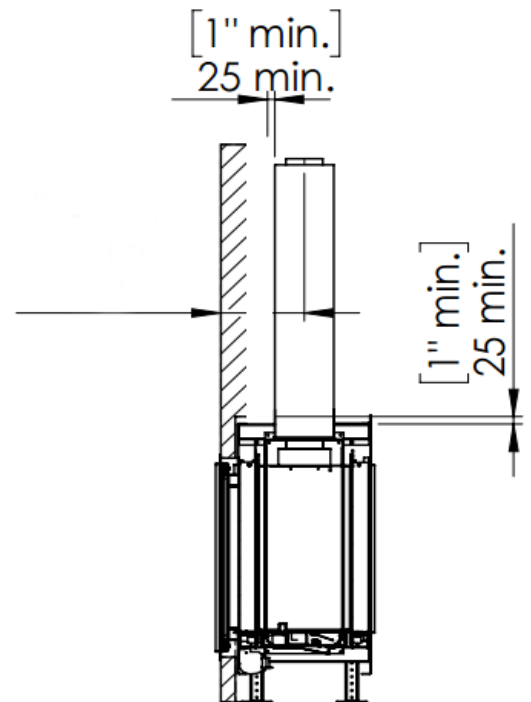
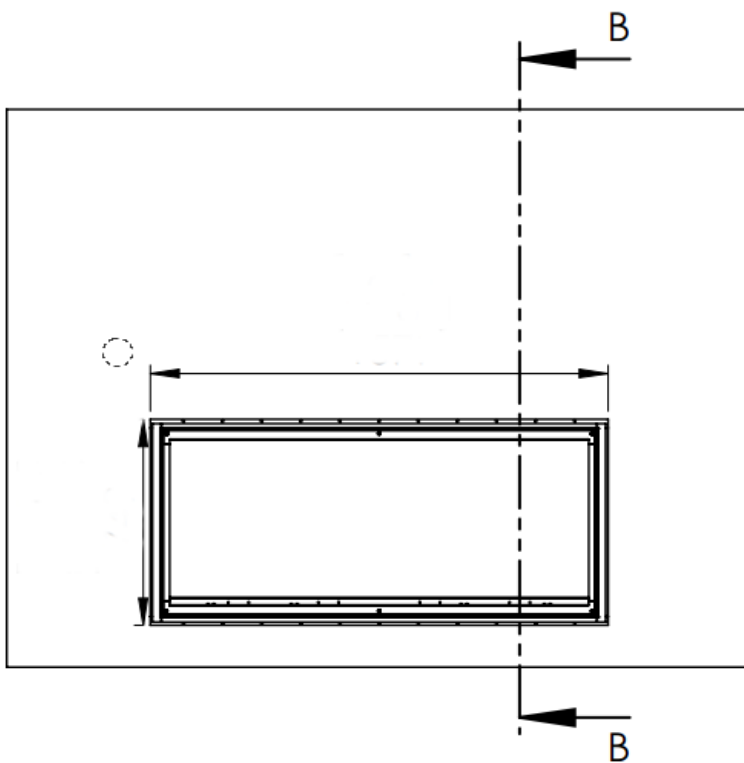
<http://flarefireplaces.com/portfolio-items/flare-outdoor/>

- All studs and surrounding should follow the fireplace clearances and non-combustible requirements.



■ Metal stud  
□ Coverd Wood stud

- The outdoor window kit should be sealed with non-combustible tape prior to covering with brick or stucco.



**BURNER DIMENSIONS**

<b>BURNER TYPE</b>	<b>SIZE (cm)</b>	<b>SIZE (in)</b>	<b>FIREPLACE SIZE</b>	<b># OF BURNERS</b>
A	55 cm	21 11/16"	30"	1
B	80 cm	31 12/16"	45"	1
C	105 cm	40 1/16"	50"	1
D	125 cm (35 cm, 55 cm, 35 cm)	50 1/16" (14", 22", 14")	60"	3
E	150 cm (35 cm, 80 cm, 35 cm)	59 15/16" (14", 32", 14")	70"	3
F	175 cm (35 cm, 105 cm, 35cm)	68 4/16" (14", 40", 14")	80"	3
G	215 cm (55 cm, 105 cm, 55 cm)	84" (22", 40", 22")	100"	3

\*\*\*For updated product dimensions and framing information, please visit Flare’s [PRODUCT PAGE](#), navigate to the product of your choice, scroll to four tabbed charts, & click “DOWNLOAD CENTER”. \*\*\*

## HOME AUTOMATION

The Flare Fireplace can be operated through an external source such as a smart home (home automation) system by using the 5-pin connector on the receiver.

The Flare Home Automation Cable (below) must be used between the Flare receiver and the home automation system. Position the home automation system so that the Flare Home Automation Cable can be connected directly. **DO NOT EXTEND OR SPLICE.**

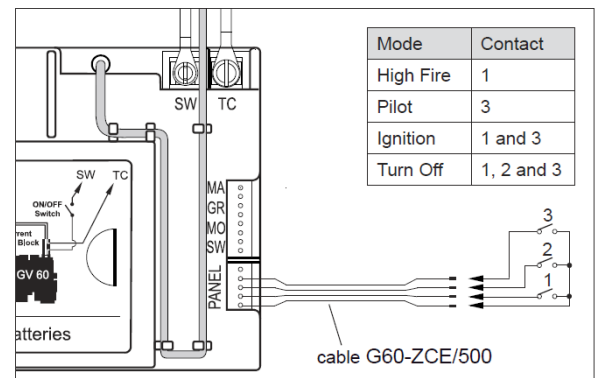
**The millivolt system will not work properly if the cable is extended or spliced.**



Signal relays (gold contacts) or opto-couplers are recommended but not supplied. The Flare Home Automation Cable must be connected to the three smart home system contacts as shown below. **Please contact Flare Support for additional information on appropriate relays to be used.**

### Operation

- To start ignition, close contacts 1 and 3 simultaneously for 2 seconds.
- To set the valve to High Fire, close contact 1.
- To set the valve to Pilot, close contact 3. In each case, the contacts need to be closed for 12 seconds to turn the motor from one end-stop to the other end stop.
- To set the valve to the Off position, close contacts 1, 2, and 3 simultaneously for 1 second.



### Modes of operation

**Mode 1** - the external source provides "ON" and "OFF" operation only. The remote-control handset provides all other functions.

Note: Even if the fire is switched on by the external source, the handset, in the thermostatic mode, controls the room temperature. The room temperature setting of the handset will remain the same for the next ON-cycle of the external source if the temperature setting in the handset has not been changed. If the handset is in manual mode, it will go to High Fire in the next cycle of external operation.

**Mode 2** - The handset must be set to the manual mode if the external source is to control the room temperature. If the handset is placed in the thermostatic mode, it will override the external source.

## CAUTION

**DO NOT CONTROL FIREPLACE FROM OUTSIDE OF HOME USING EXTERNALLY CONNECTED DEVICE  
ONLY OPERATE 3<sup>RD</sup> PARTY APPLICATION OR HOME AUTOMATION WHEN YOU CAN PHYSICALLY SEE THE FIREPLACE TURNING ON & OFF.  
IT IS NOT MEANT TO OPERATE WITHOUT LINE OF SIGHT TO FIREPLACE**

## ELECTRIC AND CONTROL

### ELECTRIC DIAGRAM - SCREEN

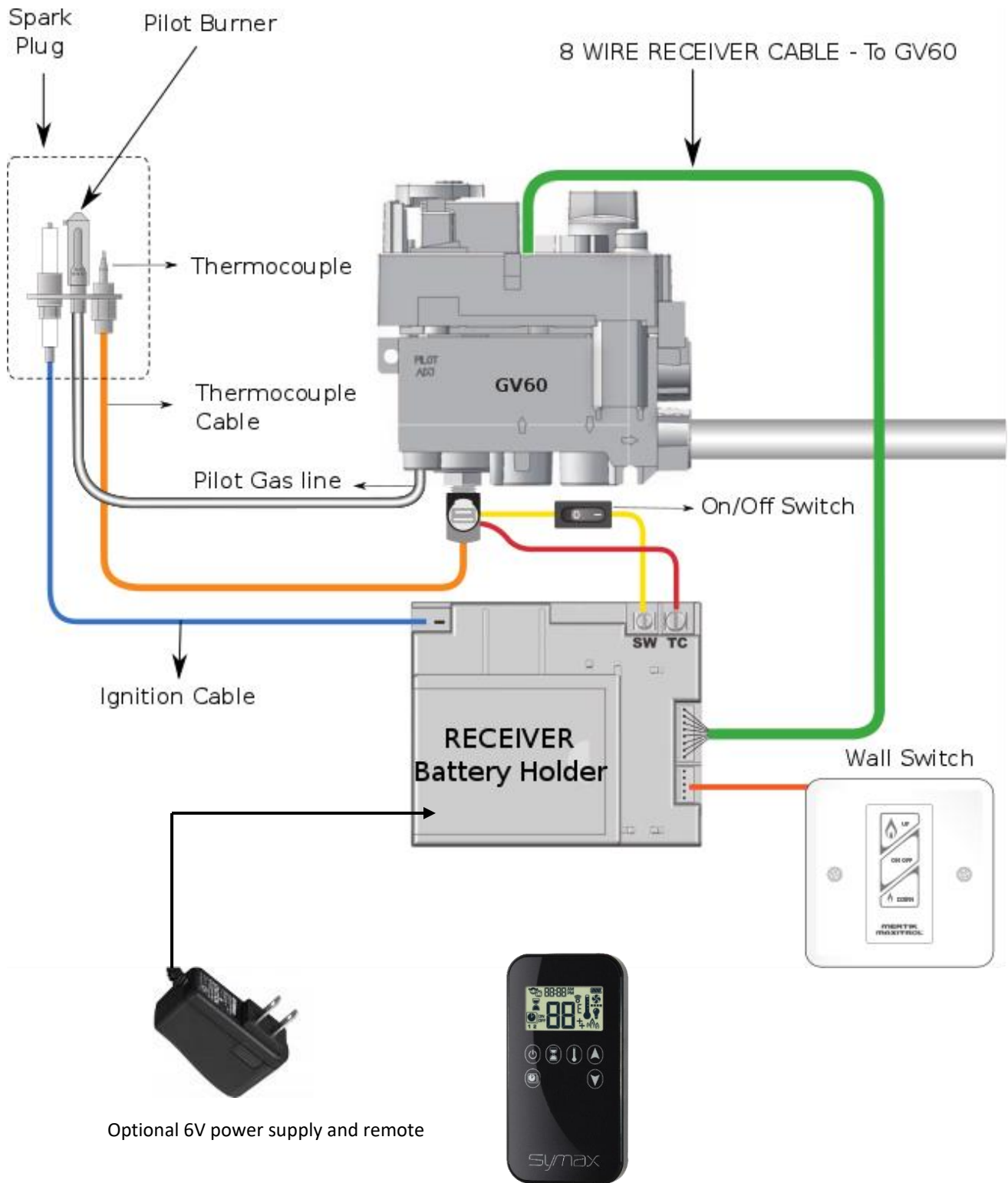
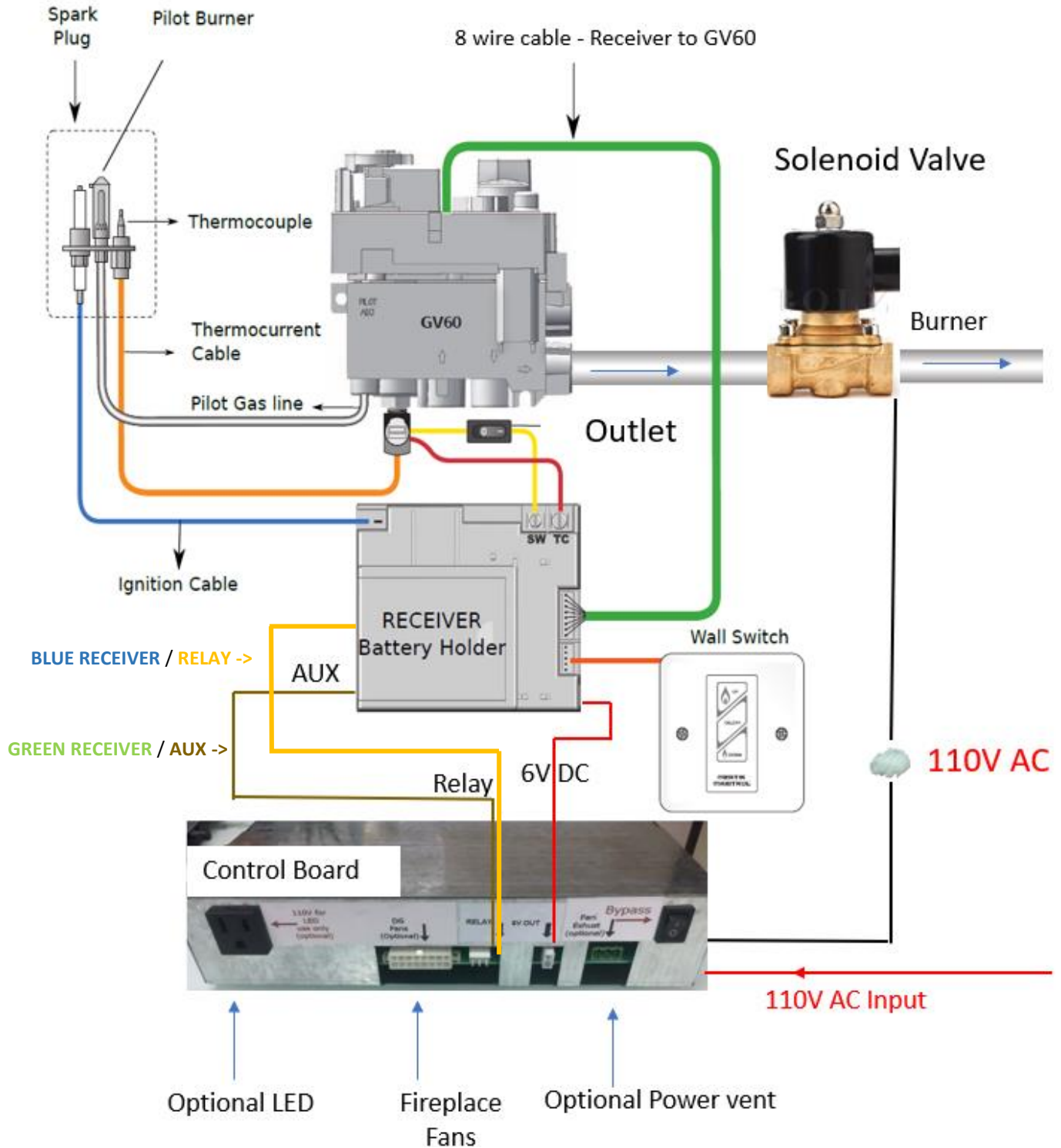
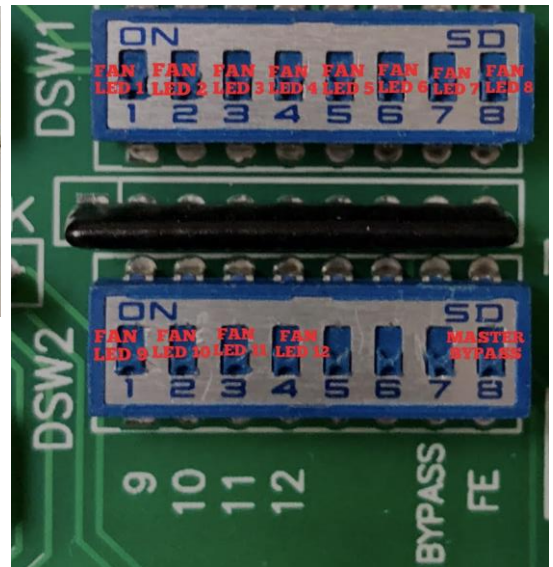
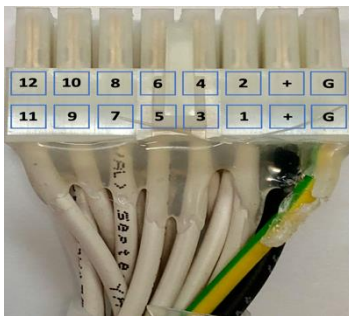
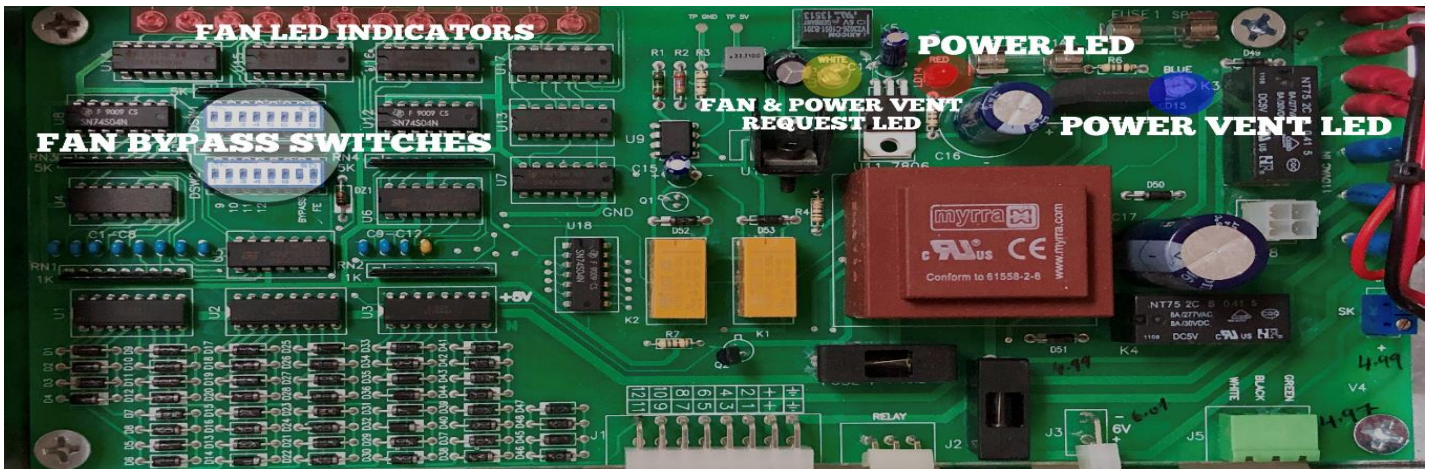


DIAGRAM – DOUBLE GLASS AND POWER VENT



DOUBLE GLASS BOARD & LED LIGHT GUIDE



**FAN BYPASS SWITCHES & LEDs**

(\*\*\*NUMBER OF FANS CAN CHANGE BASED ON MODEL SIZE\*\*\*)

The dipswitches, in the “FAN BYPASS” area of the Double Glass Board, are used to determine what fans will be monitored by the board, verifying all fans are indeed working properly before allowing the fireplace burner to start. Turn the switch **ON** (UP) to bypass monitoring of fan number of your choice, & **OFF** (DOWN) to begin to monitor fan activity. If no fan is present, set switch to on so it will bypass the need to verify fan activity. The switches are numbered to correlate with the LED lights they are associated with above. The final switch is the “Master Bypass” option. Turning this on bypasses all checks to the fan system & Power Vent.

**FAN LED INDICATORS**

- A. **Red** - Fan is not connected or malfunctioning
- B. **Off** - Fan is being bypassed
- C. **Green** - Fan is running properly

**POWER LED INDICATOR**

The **Red** Power LED lets you know the board is receiving power.

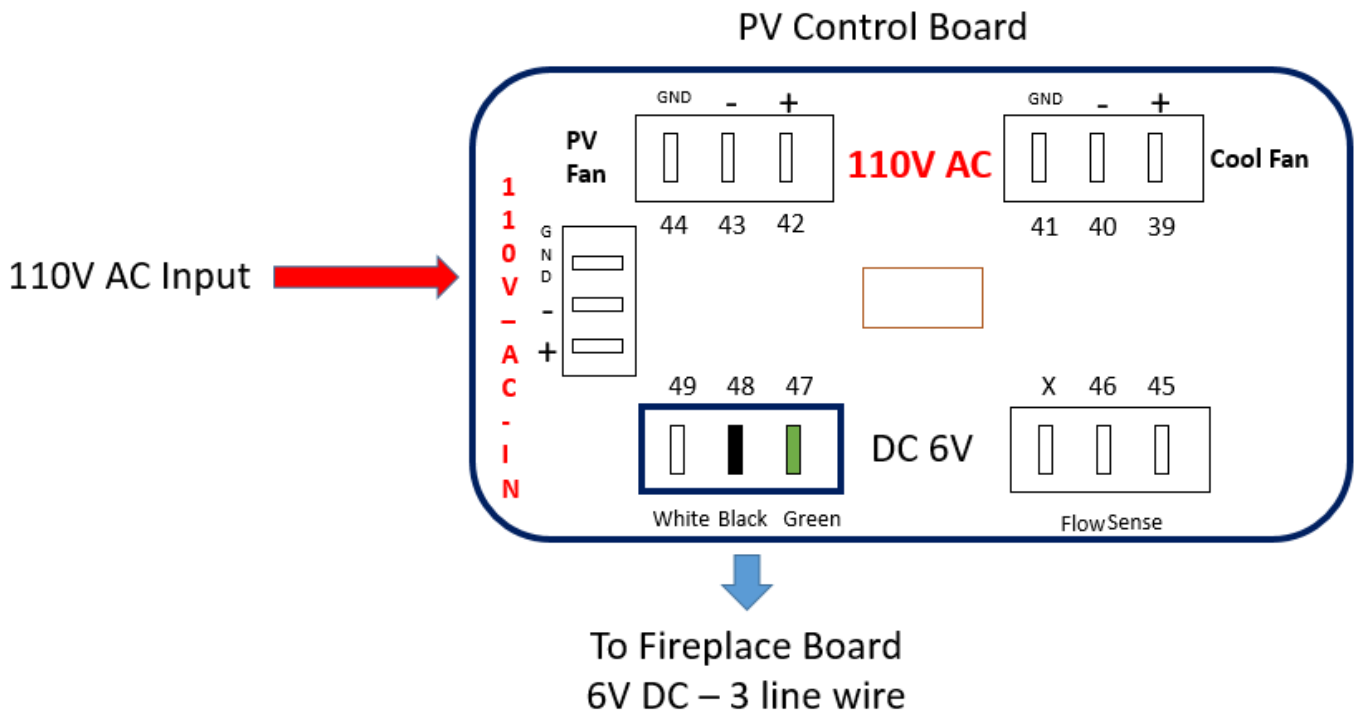
**POWER VENT LED INDICATOR**

The **Blue** Power Vent LED lets you know the Power Power-Vent is properly sending & receiving signal to the board.

**FAN & POWER VENT REQUEST LED**

The **White** LED indicates the GV60 has requested to start the fans & Power Vent, if connected.

ELECTRIC DIAGRAM – PV SYSTEM



**Ports 49-47 are connected to J6 on fireplace main board**



## REPLACEMENT PARTS

See below for flare replacement part list.

- Please contact your fireplace dealer to purchase any replacement part.
- Please make sure to provide the description and part number.
- Please make sure to use a certified installer for any service related to your fireplace.

PARTS	PART DESCRIPTION	PART NUMBER
GV60 Complete System	Includes: Gas Valve System, Receiver, GV60 Wiring	<b>GV60 Complete System</b>
GV60 Receiver	GV60 receiver	<b>GV60 Receiver</b>
Power Adapter	6V DC power adapter for receiver	<b>Power Adapter</b>
GV60 Symax Remote	Symax 6 button remote	<b>GV60 Symax Remote</b>
GV60 Wallswitch	Includes: 20' cable to receiver & Switch Panel	<b>GV60 Wallswitch</b>
Home Automation Cable	Cable For Hardwiring In Home Automation System	<b>Home Automation Cable</b>
GV60 Gas Valve	Includes: Gas Valve, Thermocouple House, Inlet/ Outlet Gas Fittings	<b>GV60 Gas Valve</b>
Thermocouple Valve Housing	Brass Thermocurrent Interrupter	<b>Thermocouple Valve Housing</b>
Inlet Gas Fitting	Brass Fitting	<b>Inlet Gas Fitting</b>
Outlet Gas Fitting	Brass Fitting	<b>Outlet Gas Fitting</b>
GV60 Wiring	Includes: Data Cable, Yellow Cable, Red Cable	<b>GV60 Wiring</b>
Data Cable	GV60 data cable	<b>Data Cable</b>
Red Cable	GV60 thermocouple cable	<b>Red Cable</b>
Yellow Cable	GV60 switch cable	<b>Yellow Cable</b>
On / Off Switch (HONEYWELL)	Honeywell System On / Off Switch	<b>On / Off Switch (HONEYWELL)</b>
Pilot Assembly	Includes: Pilot Housing, Spark Cable, Spark Ignitor Electrode, Thermocouple, Pilot Gas Line, Orifice NG (or LP if specified)	<b>Pilot Assembly</b>
Pilot Housing	Houses Pilot Assembly	<b>Pilot Housing</b>
Spark Cable	Cable That Creates Spark	<b>Spark Cable</b>
Spark Ignitor Electrode	Ignitor	<b>Spark Ignitor Electrode</b>
Thermocouple	Includes fitting to Thermocouple Valve Housing	<b>Thermocouple</b>
Pilot Gas Line	Includes fitting to Gas Valve	<b>Pilot Gas Line</b>
Pilot Orifice NG	Varies on Fireplace Size*	<b>Pilot Orifice NG</b>
Double Glass Solenoid	Solenoid Replacement For Double Glass Units	<b>Double Glass Solenoid</b>
Pilot Orifice LP	Varies on Fireplace Size*	<b>Pilot Orifice LP</b>
Control System	For units with <b>Double Glass, Power Vent, SK ONLY</b> . Includes: Control Box, Power/ Relay Cable, Receiver Connection, Control PV Cable, Control SK Cable, Control LED Cable	<b>Control System</b>
Control Power/ Relay Cable	From board to plug, plug to power and relay	<b>Control Power/ Relay Cable</b>
Control Receiver Cable	From board to plug, plug to yellow and red	<b>Control Receiver Cable</b>
Control PV Cable	Cable with connection to board	<b>Control PV Cable</b>
Control SK Cable	Cable with connection to board	<b>Control SK Cable</b>
Control LED Cable	Power plug with connection to board	<b>Control LED Cable</b>
LED Power Supply	24V DC power supply	<b>LED Power Supply</b>
LED Wiring Harness	Y-shaped wiring harness from LED strips to controller	<b>LED Wiring Harness</b>
RBG LED Controller	Includes: RGB Controller and Remote	<b>RBG LED Controller</b>
RGB LED Strip	Includes: harness connector	<b>RGB LED Strip</b>
PV Control Cable	50 feet	<b>PV Control Cable</b>
SK Control Cable	50 feet	<b>SK Control Cable</b>
Suction Cups	2 suction cups	<b>Suction Cups</b>

**WARNING!**

- It is recommended that a qualified service technician perform a routine inspection at the beginning of each heating season.
- Disconnect power before attempting maintenance or repair of the fireplace.
- Installation and maintenance must be performed by an authorized qualified installer, service agency or gas supplier.
- Any safety screen or guard removed for servicing placed back before operating this appliance.
- DO NOT USE this appliance if any part has been under water. Immediately call a qualified service technician to inspect the unit and to replace any part of the control system and any gas valve that has been under water or impacted.
- Any alteration to the product that causes soot or carbon to form and results in damage is not the responsibility of the manufacturer.
- Do not modify or substitute any part of this appliance.
- Inspect the external vent cap on a regular basis to make sure that no debris, plants, trees, or shrubs are interfering with the air flow.
- Do not operate the fireplace without the fireplace glass.
- It is imperative that control compartments, screens, or fans system for double glass be kept clean and free of obstructions. These areas provide the air necessary for safe operation.
- Light the heater using the built-in igniter. Do not use matches or any other external device to light your heater.
- Never remove, replace, modify or substitute any part of the heater unless instructions are given in this manual. All other work must be done by a trained technician. Do not modify or replace orifices.

### Yearly Service

Failure to inspect and maintain the fireplace may lead to improper combustion and a potentially dangerous situation. We recommend the following procedures be done by a qualified technician.

#### **Glass Maintenance**

- Always use suction cups to remove the fireplace glass. Use the manual procedure for instruction on how to remove the fireplace glass. Always use gloves when removing the glass to protect your hand and prevent finger prints on the glass.
- DO NOT USE abrasive cleaners on the glass panels. DO NOT ATTEMPT to clean the glass panels when they are hot.
- Do not use normal household (usually ammonia-based) glass cleaners to clean the glass as these cleaners can leave a permanent stain. Only a gas fireplace glass cleaner should be used.
- Verify no cracks or breakage in the glass.
- Place glass in a safe location to prevent breakage.
- Never attempt to operate the fireplace without the fireplace glass.

#### **Pilot Maintenance**

- Visually inspect the pilot flame. The pilot flame should be always present when the fireplace is in operation.
- Make sure the pilot flame has two flame tips pointing to the flame sensor (thermocouple) and to the center of the burner.
- Make sure the pilot area is clean from any dust, media or any other debris that may disrupt the operation of the ignition system. Lint or foreign material must be removed with a brush or vacuum.
- Verify fireplace ignition using the remote or wall switch. Verify electronic ignition, sparking sequence, pilot operation and burner ignition.

#### **Burner Maintenance**

- The flames from the burner should be visually checked. The flame should have a blue base and yellow tops and be candle-like in appearance.
- If excessive soot is found inside the firebox area, the fireplace will require adjustment. Verify the air shutter and vent restrictor setting and document any changes.
- If the flame becomes sooty, dark orange in color, or extremely tall, do not operate the heater.
- Measure gas pressure. Inlet \_\_\_\_\_ W.C., Outlet \_\_\_\_\_ W.C.

#### **Vent Maintenance**

The following venting system inspection by a qualified service technician is recommended every six months:

- Inspect for excessive condensation, e.g. water droplets forming in the inner lining and subsequently dripping out of the joints. This can cause corrosion in the system.
- Check for corrosion in areas exposed to the elements. Where rust spots or holes have appeared, these must be immediately replaced.
- Ensure that there is no foreign material in the vents. Survey by removing the cap and shining a light down the vent.
- Check all joints and pipes to make sure that nothing has been disturbed or loosened.

#### **Double Glass Fans**

- Disconnect power to the Flare control system.
- Remove the external glass and the covering trim.
- Inspect the fans around the Flare firebox and make sure they are all turning.
- Clean all fans with a brush and vacuum to remove any dust or debris.
- Inspect the lower fireplace intake. Clean the lower vent intake with a brush and vacuum any dust or debris.
- Connect back the Flare control power and press the Flare remote arrow down. Make sure all fans are working properly.
- Turn off the fans and install back the trim and glass.



APPENDIX

MAINTENANCE LOG

Flare Fireplaces – Maintenance log

The following document should be used by the service technician. A copy should be kept with the technician and owner for future reference

Service Date: \_\_\_\_\_

Unit Information

Model Type and Size: \_\_\_\_\_

Serial #: \_\_\_\_\_

Owner Information

Name: \_\_\_\_\_

Address \_\_\_\_\_

Technician Information

Name: \_\_\_\_\_

Company Name \_\_\_\_\_

Technician NPI # \_\_\_\_\_

Service Information

\_\_\_\_\_

Yearly Maintenance: \_\_\_\_\_

Other: \_\_\_\_\_

Details: \_\_\_\_\_

\_\_\_\_\_

\_\_\_\_\_

\_\_\_\_\_

\_\_\_\_\_

\_\_\_\_\_

\_\_\_\_\_

## MAXITROL TROUBLESHOOTING GUIDE FOR DOUBLE GLASS

### No response from unit to remote power on function.

- 🔥 Ensure power button is pressed for 3 seconds.
- 🔥 Receiver (see figure 1) must learn new code:
  - Press and hold the receiver's reset button (Figure 2) until you hear 2 acoustic signals. After the second longer acoustical signal, release the reset button and within the subsequent 20 seconds, press ▼ (down arrow) and hold on the remote handset until you hear an additional long acoustic signal confirming the new code is set.
  - NOTE: if 15-20 seconds pass while pressing and holding ▼ (down arrow) and a long single tone is heard, confirm the sticker label (see Figure 3) on the remote handset and back of the receiver are both blue, or remote sticker is black, and the receiver sticker is green.
- 🔥 Dead batteries/no batteries.
  - Bent pins on 8 wire connectors.
    - Inspect and straighten pins as needed.
- 🔥 Receiver is surrounded by metal, reducing the transmission range.
  - Bring remote closer to unit for troubleshooting.
  - Limited range of the remote due to local RF transmission.
  - Change the position of the antenna.
- 🔥 Receiver is bad.
- 🔥 Remote is bad.
  - Ensure labels on back of remote and receiver match in color. Blue and blue, green to black.
  - Replace remote if needed and reprogram code.

### No Ignition; No Tone:

- 🔥 See above to ensure remote has correct code to receiver.
- 🔥 Check power to receiver.
  - Unplug receiver from 6V Outlet (See figure 4) on board, ensure receiver has 4-AA batteries or use external 6V power supply to test that receiver has power.
  - If power is received, confirm 6V Outlet on board supplies power by using a multimeter.
- 🔥 Receiver bad.

### No Ignition; 3 short beeps while the motor turns:

- 🔥 Batteries are low.
- 🔥 Please Note: Possible short in Summer Kit or Power Vent cable[s] leading to low voltage supply to receiver.
  - Disconnect PV or SK from board. If problem resolves, repair/replace PV or SK cables to eliminate short.
  - If problem persists, attempt to use external power source: batteries or alternate source.

**No Ignition; One continuous 5 second tone (7 short beeps might be heard prior to the 5 second tone):**

**CHECK FOR:**

- 🔥 Loose wires.
- 🔥 Bent pins on 8 wire connectors.
- 🔥 Reset receiver and resync remote.
- 🔥 Receiver.
- 🔥 Valve.

**No Pilot Flame and control continues to spark:**

- 🔥 Air in the pilot line.
  - Purge the line (start ignition several times.)
- 🔥 No spark at pilot burner.
  - Check spark gap; Check for spark in location along cable.
  - Check spark on the receiver by disconnecting the spark cable from the receiver.
- 🔥 Inappropriate inlet pressure: confirm gas pressure is correct rating for NG/LPG.
- 🔥 Air seal issue around pilot.
- 🔥 Clogged pilot gas line.
  - To test, remove glass and attempt to light pilot with long stem-lighter.
  - Disconnect pilot line from valve and check gas flow.
- 🔥 Reset receiver and attempt to re-ignite.
- 🔥 Valve.
- 🔥 Receiver.
  - Replace receiver and reprogram code.

**Pilot is lit, and control continues to spark. Valve shuts after 10-30 seconds.**

- 🔥 Over tightened thermocouple interrupter.
- 🔥 Bad thermocouple.
- 🔥 Receiver.

**Pilot is lit and sparking stops. Valve shuts after 3-60 seconds. Valve does not operate manually:**

- 🔥 Not enough voltage generated from the thermocouple or too much resistance in the circuit.
  - Use a digital multimeter set in the mV range and measure the voltage by connecting the test leads to the spade connector. Spade connector is located on the outer surface, directly beside the magnet nut (see figure 5.) The available voltage must be at least 5 mV. The manufacturer must specify the drop time for the application. The drop time can be measured after the thermocouple is heated.
- 🔥 Low inlet pressure.
  - Confirm regulator pressure and sizing. Replace if necessary.
- 🔥 Thermocouple.
- 🔥 Valve.

**Pilot is lit, main burner is not opening:**

- 🔥 Solenoid is not opening; does not allow gas to the main burner.
  - If there are zero double glass fans running;
    - Ensure white LED light (See figure 6) is on.
  - If pilot is on, and solenoid does not open, the issue could be;
    - Relay cable between the board and the GV-60 Receiver.
    - Check wiring diagram for information on relay cable.
    - Ensure fan harness is connected to the board
  - If partial double glass fans are not working.
    - Visually inspect to confirm which fans are not turning.
    - Check control board, for Green Fan LED Status.
  - Orange LED will indicate fan failure or board tracking fans which ARE NOT installed.
    - Adjust fan bypass dipswitches to match number of working fans on unit. Set unused switches to “ON” (fan bypass mode.) (see figure 7)
    - Ensure fan harness is connected to the board.
    - Change fans as necessary.
    - Board failing to read fan signal will also result in an Orange LED indicator. Contact support if issue occurs after all above options have been exhausted.
  - Double Glass board malfunction
    - Flip master bypass switch (Figure 4) on side of control board.
  - NOTE: If Master bypass switch opens solenoid, contact support to order new Board.

**Pilot flame lights but there is no main gas flow:**

- 🔥 Low inlet pressure.
- 🔥 Valve turned down to pilot flow.
  - Turn flame to high fire by pressing up button on remote handset.
- 🔥 Mail burner line is crimped.
- 🔥 Clogged burner orifice.
- 🔥 Valve.

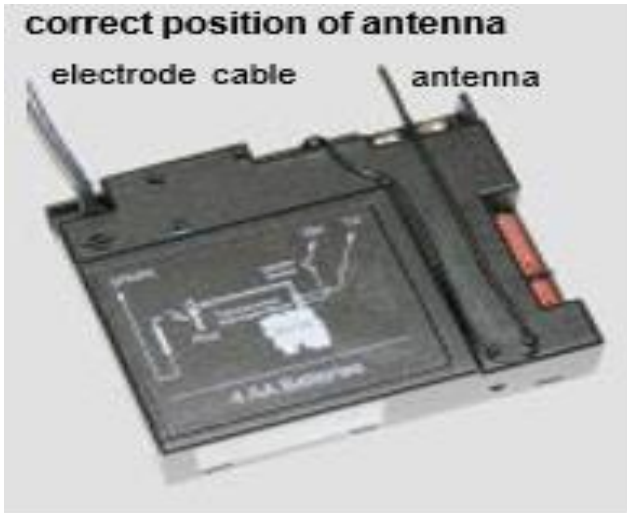


Figure 1

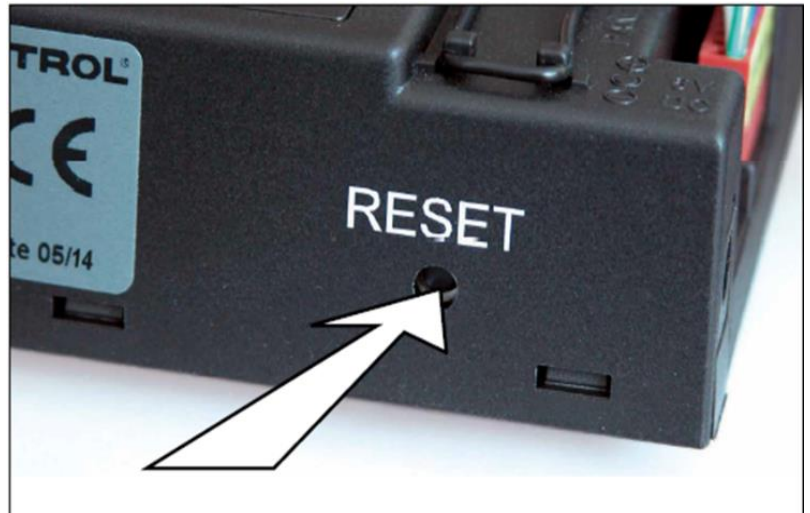


Figure 2



Figure 3

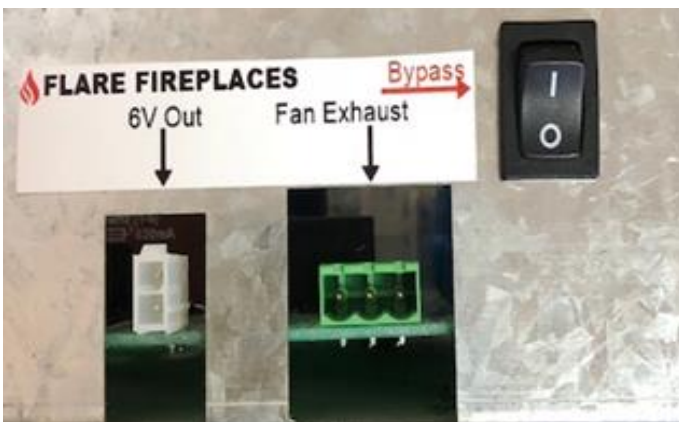


Figure 4

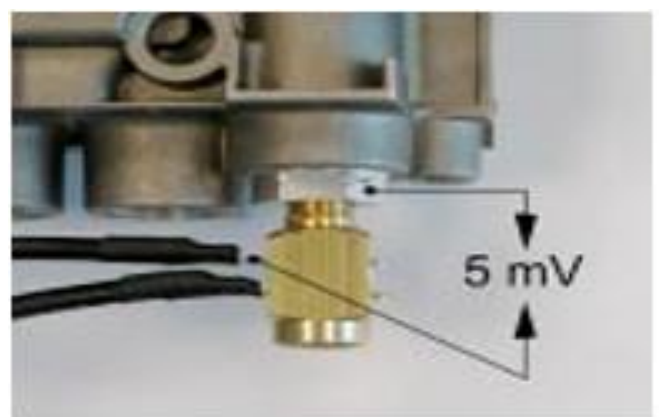


Figure 5





Figure 6

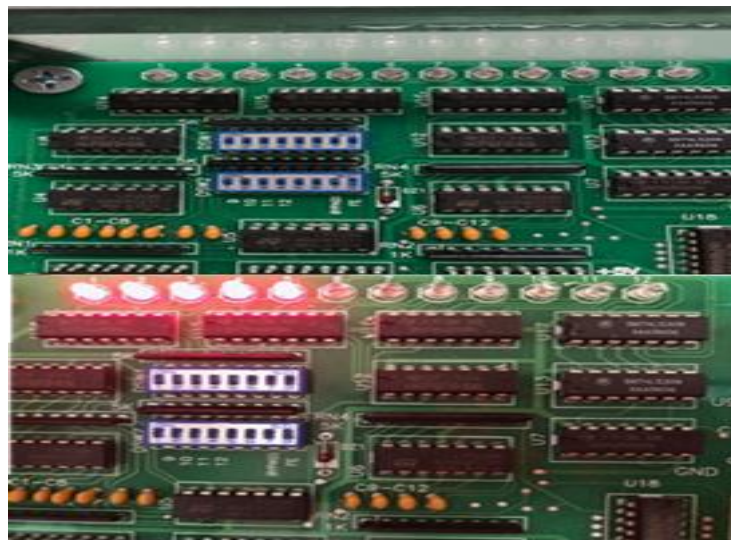


Figure 7

## MAXITROL TROUBLESHOOTING GUIDE FOR SAFETY SCREEN

### No response from unit to remote power on function.

- 🔥 Ensure power button is pressed for 3 seconds.
- 🔥 Receiver (see figure 1) must learn new code:
  - Press and hold the receiver's reset button (Figure 2) until you hear 2 acoustic signals. After the second longer acoustical signal, release the reset button and within the subsequent 20 seconds, press ▼ (down arrow) and hold on the remote handset until you hear an additional long acoustic signal confirming the new code is set.
  - NOTE: if 15-20 seconds pass while pressing and holding ▼ (down arrow) and a long single tone is heard, confirm the sticker label (see below) on the remote handset and back of the receiver are both blue, or remote sticker is black, and the receiver sticker is green.
- 🔥 Dead batteries/no batteries.
- 🔥 Bent pins on 8 wire connectors.
  - Inspect and straighten pins as needed.
- 🔥 Receiver is surrounded by metal, reducing the transmission range.
  - Bring remote closer to unit for troubleshooting.
  - Limited range of the remote due to local RF transmission.
  - Change the position of the antenna.
- 🔥 Receiver is bad.
- 🔥 Remote is bad.
  - Ensure labels on back of remote and receiver match in color. Blue and blue, green to black.
  - Replace remote if needed and reprogram code.

### No Ignition; No Tone:

- 🔥 See above to ensure remote has correct code to receiver.
- 🔥 Check power to receiver.
- 🔥 Receiver bad.

### No Ignition; One continuous 5 second tone (7 short beeps might be heard prior to the 5 second tone):

- 🔥 Loose wire.
- 🔥 Bent pins on 8 wire connectors.
- 🔥 Reset receiver and resync remote.
- 🔥 Receiver.
- 🔥 Valve.

**No Pilot Flame and control continues to spark:**

- 🔥 Air in the pilot line.
  - Purge the line (start ignition several times.)
- 🔥 No spark at pilot burner.
  - Check spark gap; Check for spark in location along cable.
  - Check spark on the receiver by disconnecting the spark cable from the receiver.
- 🔥 Inappropriate inlet pressure: confirm gas pressure is correct rating for NG/LPG.
- 🔥 Air seal issue around pilot.
- 🔥 Clogged pilot gas line.
  - To test, remove glass and attempt to light pilot with long stem-lighter.
  - Disconnect pilot line from valve and check gas flow.
- 🔥 Reset receiver and attempt to re-ignite.
- 🔥 Valve
- 🔥 Receiver.
  - Replace receiver and reprogram code.

**Pilot is lit, and control continues to spark. Valve shuts after 10-30 seconds.**

- 🔥 Over tightened thermocouple interrupter.
- 🔥 Bad thermocouple.
- 🔥 Receiver.

**Pilot is lit and sparking stops. Valve shuts after 3-60 seconds. Valve does not operate manually:**

- 🔥 Not enough voltage generated from the thermocouple or too much resistance in the circuit.
  - Use a digital multimeter set in the mV range and measure the voltage by connecting the test leads to the spade connector. Spade connector is located on the outer surface, directly beside the magnet nut (see figure 3.) The available voltage must be at least 5 mV. The manufacturer must specify the drop time for the application. The drop time can be measured after the thermocouple is heated.
- 🔥 Low inlet pressure.
  - Confirm regulator pressure and sizing. Replace if necessary.
- 🔥 Thermocouple.
- 🔥 Valve.

**3 short beeps while the motor turns:**

- 🔥 Batteries are low.

**Pilot flame lights but there is no main gas flow:**

- 🔥 Low inlet pressure.
- 🔥 Valve turned down to pilot flow.
  - Turn flame to high fire by pressing up button on remote handset.
- 🔥 Main burner line is crimped.
- 🔥 Clogged burner orifice.
- 🔥 Valve

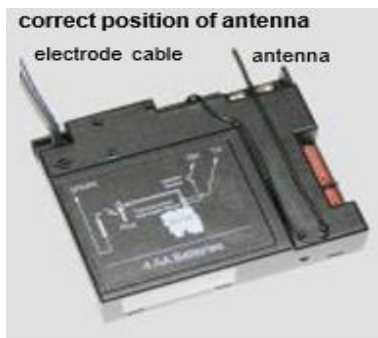


Figure 1

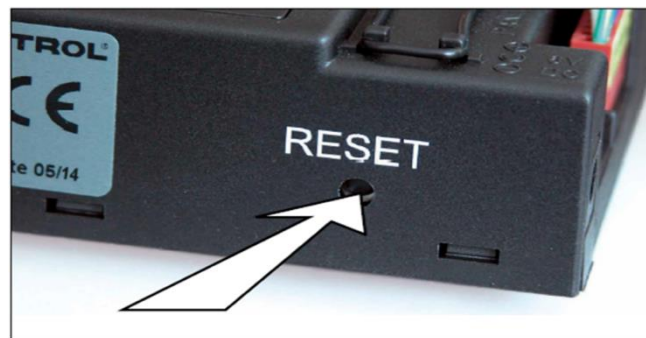


Figure 2



Figure 3

## WARRANTY POLICY

Flare Fireplaces take extreme measures to assure all products are tested and verified and are free from defects prior to leaving our warehouse.

Our Factory is subject to high quality standard and is under the supervision of the CSA organization.

### **Flare Fireplaces Warranty information:**

- 1-year Limited Warranty on the gas valve, remote, pilot burner assembly, electric components and fan motors, interior decorative media.
- 5-year Limited Warranty for Ceramic glass (thermal breakage only)
- 10-year Limited warranty on the firebox and burners

Flare warranty shall be effective only if the original purchaser of the fireplace appliance is registered with Flare Fireplaces within thirty days of the date of purchase.

Minor warping of certain parts or discoloration is normal and is not considered a defect that is covered by this warranty. Major disruption and buckling of parts can be caused by over-firing of your Fireplace. Over-firing above rated value specified in the manual is contrary to the manufacturer's instructions and may void this warranty.

All installations must be performed by a qualified technician in accordance with applicable local and national requirements.

Installations must be done in accordance with the appliance manual. The Limited Warranty applies only if the product is installed in the United States or Canada and only if installed, operated and maintained in accordance the attached product manual.

Warranty coverage begins on the date of original purchase.

It is the responsibility of the installer to ensure the appliance is firing as per the rating plate.

Any part that is found in our judgment to be defective shall be repaired, replaced or refunded at Flare Fireplaces option.

This warranty only covers Flare Fireplaces appliances that are purchased through a Flare Fireplace authorized dealer or distributor.

The warranty is only valid while the Flare Fireplace appliance remains at the site of original installation.

Contact your installing dealer for warranty service. If the installing dealer is unable to provide necessary parts, contact the nearest Flare Fireplaces authorized dealer or supplier.



**This warranty is void if:**

Use of an unauthorized type of media in the firebox.

The appliance has been over-fired or operated in atmospheres contaminated by chlorine, fluorine, or other damaging chemicals. Over-firing can be identified by, but not limited to, warped plates or tubes, rust colored cast iron, bubbling, cracking and discoloration of steel or enamel finishes.

The appliance is subjected to prolonged periods of dampness or condensation.

There is any damage to the appliance or other components due to water or weather damage which is the result of, but not limited to, improper chimney or venting installation.

Holes have been drilled in to the fireplace for any reason.

**If the installation of a Flare fireplace or any of its components isn't done by an NFI certified Installer or Flare Certified Installer this warranty is void.**

**Exclusions:**

This warranty does not apply to any component that shows evidence of misuse, abuse, improper installation, accident or lack of maintenance.

Flare Fireplaces is not responsible for televisions, mantles, surrounds or finishing material around the fireplace.

Flare Fireplaces may at its discretion discharge all obligations by refunding the wholesale price of the defective part. The Limited Warranty covers only parts and labor as provided above. Flare Fireplaces will not be responsible for materials, components or construction, which are not manufactured or supplied by Flare Fireplaces or for the labor necessary to install, repair or remove such materials, components or construction.