



# FLARE FIREPLACES

**WARNING:** If the information in these instructions are not followed exactly, a fire or explosion may result causing property damage, personal injury or loss of life.

- Do not store or use gasoline or other flammable vapors and liquids in the vicinity of this or any other appliance.
- WHAT TO DO IF YOU SMELL GAS
  - Do not try to light any appliance.
  - Do not touch any electrical switch; do not use any phone in your building.
  - Immediately call your gas supplier from a neighbor's phone. Follow the gas supplier's instructions.
  - If you cannot reach your gas supplier, call the fire department.
- Installation and service must be performed by a qualified installer, service agency or the gas supplier.

 **DANGER**



**HOT GLASS WILL  
CAUSE BURNS.**

**DO NOT TOUCH GLASS  
UNTIL COOLED.**

**NEVER ALLOW CHILDREN  
TO TOUCH GLASS.**

A barrier designed to reduce the risk of burns from the hot viewing glass is provided with this appliance and shall be installed for the protection of children and other at-risk individuals.

**NATIONAL  
FIREPLACE  
INSTITUTE**



**CERTIFIED**  
[www.nficertified.org](http://www.nficertified.org)

We suggest that our gas hearth products be installed and serviced by professionals who are certified in the U.S. by the National Fireplace Institute® (NFI) as NFI Gas Specialists.

## NOTICE

**INSTALLER:** Leave this manual with the appliance.

**CONSUMER:** Retain this manual for future reference.

**Installation and service of this appliance MUST be performed by qualified certified NFI personnel.**

**Massachusetts: The piping and final gas connection must be performed by a licensed plumber or gas fitter in the State of Massachusetts. Also, see Carbon Monoxide requirements Detector requirements on page 55**

Flare Fireplaces Installation Guide

[Flare Double Corner, Left Corner, Right Corner, Front, See-Through and Room Definer] v2.97

# TABLE OF CONTANTS

<b>SAFTEY INFO AND WARNINGS.....</b>	<b>4</b>
<b>FLARE FIREPLACES – FRAMELESS IN EVERY WAY .....</b>	<b>6</b>
SAFETY.....	6
CSA CERTIFICATION .....	6
<b>MANUAL MODEL LIST &amp; INFORMATION.....</b>	<b>6</b>
<b>FIREPLACE OPERATION.....</b>	<b>8</b>
REMOTE CONTROL INSTRUCTIONS .....	8
RECEIVER AND REMOTE BATTERIES.....	12
PAIRING REMOTE WITH FIREPLACE RECEIVER .....	12
WALL SWITCH – OPTIONAL.....	13
MEDIA ARRANGEMENTS .....	14
SAFTEY SCREEN REMOVAL .....	15
INTERNAL GLASS REMOVAL .....	16
EXTERNAL GLASS - FIRST TIME REMOVAL – DOUBLE GLASS FIREPLACE.....	17
EXTERNAL GLASS REMOVAL – DOUBLE GLASS FIREPLACE .....	18
<b>INSTALLATION STEPS:.....</b>	<b>19</b>
<b>INSTALLATION PREPARATION .....</b>	<b>20</b>
FIREPLACE UNPACKING .....	20
FIREPLACE TELESCOPIC LEGS SETUP .....	21
UNPACKING CONTROL UNIT AND ACCESSORIES .....	23
POSITIONING FIREPLACE UPRIGHT .....	<b>ERROR! BOOKMARK NOT DEFINED.</b>
FIREPLACE POSITIONING.....	24
<b>VENT TERMINATION .....</b>	<b>25</b>
VENT RESTRICTOR SETUP .....	30
CHIMNEY PATH INSTALLATION & PLANING.....	31
FLARE 25.....	32
FLARE 30H .....	34
FLARE 45/45H.....	36
FLARE 50/50H.....	38
FLARE 60/60H.....	40
FLARE 70/70H.....	42
FLARE 80/80h .....	44
FLARE 100/100h .....	46
POWER VENTING .....	48
<b>GAS INSTALLATION .....</b>	<b>54</b>
GENERAL.....	54
ORIFICE SIZE.....	55

GAS VALVE ACCESS DOOR .....	56
COMMONWEALTH OF MASSACHUSETTS .....	57
<b>FLARE FIREPLACES - DOUBLE GLASS .....</b>	<b>58</b>
OVERVIEW.....	58
DOUBLE GLASS - INSTRUCTIONS .....	58
<i>Power requirements</i> .....	59
<b>TELEVISION MOUNTING ABOVE FIREPLACE.....</b>	<b>60</b>
TV INSTALL – FLAT EXAMPLE.....	61
TV INSTALL – L TYPE EXAMPLE .....	62
<b>CLEARANCES .....</b>	<b>63</b>
GENERAL INFORMATION AND STEPS.....	63
CLEARANCES SPECIFICATION.....	64
MANTEL CLEARANCE .....	65
TOP HEAT RELEASE .....	66
FLARE FRONT, SEE THROUGH & CORNER FIREPLACE CLEARANCE .....	67
<i>flat – side and isometric view</i> .....	67
<i>L shape – side and isometric view</i> .....	68
FLARE ROOM DEFINER FIREPLACE CLEARANCE.....	71
<i>flat – side and isometric view</i> .....	71
<i>L shape – side and isometric view</i> .....	73
<b>PRODUCT DIMENSIONS &amp; SPECIFICATIONS.....</b>	<b>75</b>
BURNERS DIMENSIONS .....	75
<b>ELECTRIC AND CONTROL .....</b>	<b>76</b>
ELECTRIC DIAGRAM.....	76
ELECTRIC DIAGRAM – DOUBLE GLASS .....	77
DIAGRAM – DOUBLE GLASS & PV - 2016 .....	78
ELECTRIC DIAGRAM – PV SYSTEM .....	78
<b>REPLACEMENT PARTS .....</b>	<b>79</b>
<b>APPENDIX.....</b>	<b>81</b>
MAINTENANCE LOG.....	81
WARRENTY POLICY .....	82

SAFETY INFO AND WARNINGS

**WARNING!**

If the information in these instructions are not followed exactly, a fire or explosion may result causing property damage, personal injury or loss of life.

Installation and service must be performed by a qualified installer, service agency or the supplier.

**WARNING!**

The direct vent system appliance must be installed as an OEM installation in manufactured homes (USA only) or an aftermarket permanently located, or a mobile home, where not prohibited by local codes and must be installed in accordance with Manufacturer's instructions and the Manufactured Home Construction and Safety Standard, Title 24 CFR, Part 3280, in the United States, or the Standard for Installation in Mobile Homes, CAN/CSA Z240 MH Series, in Canada.

This appliance is only for use with the type(s) of gas indicated on the rating plate. A conversion kit is supplied with the appliance.

This product is listed to ANSI standards for ANSI Z21.50b-2009 / CSA 2.22b-2009 Vented Gas Fireplaces CAN/CGA 2.17-M91 Gas-Fired Appliance for use At High Altitudes.

**WARNING!**

NEVER LEAVE CHILDREN OR OTHER AT RISK INDIVIDUALS ALONE WITH THE APPLIANCE

## **WARNING!**

Young children should be carefully supervised when they are in the same room as the appliance. Toddlers, young children and others may be susceptible to accidental contact burns. A physical barrier is recommended if there are at risk individuals in the house. To restrict access to a fireplace or stove, install an adjustable safety gate to keep toddlers, young children and other at risk individuals out of the room and away from hot surfaces

## **WARNING!**

Due to high temperatures, the appliance should be located out of traffic and away from furniture and draperies.

Children and adults should be alerted to the hazards of high surface temperature and should stay away to avoid burns or clothing ignition.

## **WARNING!**

This appliance must be electrically wired and grounded in accordance with local codes or, in the absence of local codes, with National Electric Code ANSI/NFPA 70- latest edition or the Canadian Electric Code CSA C22.1.

A 110-120V AC circuit for this product must be protected with ground-fault circuit-interrupter protection, in compliance with the applicable electrical codes, when it is installed in locations such as in bathrooms or near sinks.

**In the state of Massachusetts, only a licensed Plumber and Gas Fitter may install this product.  
See Note for the Commonwealth of Massachusetts**

## FLARE FIREPLACES – FRAMELESS IN EVERY WAY

Flare Fireplaces is where innovation, quality and luxury come together to form new ideas.

By combining superior raw materials, contemporary design, creative technology and a frameless way of thinking, we have created a full line of direct-vent fireplaces that are luxurious, simple to operate and efficient.

Our Fireplaces are distinguished by their clean design, superior build quality and unique features.

## SAFETY

### CSA CERTIFICATION

All of our fireplaces are tested and have been certified to meet stringent CSA guidelines, ensuring optimum quality, safety and efficiency.

All our fireplaces have been certified and tested to work with Natural Gas or Propane.

Certification Information:

ANSI Z21.88/CSA 2.33-2014- Vented Gas Fireplace Heaters

CSA CLASSES:

CLASS 2901 84 / CLASS 2901 04

## MANUAL MODEL LIST & INFORMATION

The Following manual should be used for the following Flare Fireplaces Models:

- Flare Front 25-100 “



- Flare See-Through 25-100"
- Flare Corner Right & Left 25-100"
- Flare Double Corner 25-100"
- Flare Room Definer 30-100"

In order to simplify the installation and operation, all models above share the same gas valve system, remote, gas connection, glass type.

All warning and instruction apply to all models.

Refer to the model name for specific model, [clearance and installation](#) information.

Flare Fireplaces should only be connected to M&G DuraVent 4x6 or 5x8 venting system. Refer to the specific appliance model and size to determine vent size (Gas specification table) and chimney pathway requirements ([Chimney path installation & planning table](#)). For detailed chimney installation information please use the M&G DuraVent direct vent installation manual: <http://www.duravent.com>

This product is listed to ANSI standards for "Vented Gas Fireplace Heaters" and applicable sections of "Gas Burning Heating Appliances for Manufactured Homes and Recreational Vehicles", and "Gas Fired Appliances for Use at High Altitudes".

Installation MUST comply with local, regional, state and national codes and regulations. Consult insurance carrier, local building inspector, fire officials or authorities having jurisdiction over restrictions, installation inspection and permits.

This installation must conform to local codes. In the absence of local codes you must comply with the National Fuel Gas Code, ANSI Z223.1-latest edition in the U.S.A. and the CAN/CGA B149 Installation Codes in Canada.

Improper installation, adjustment, alteration, service or maintenance can cause injury or property damage. For assistance or additional information, consult a qualified service technician, service agency or your dealer.

## FIREPLACE OPERATION

### REMOTE CONTROL INSTRUCTIONS

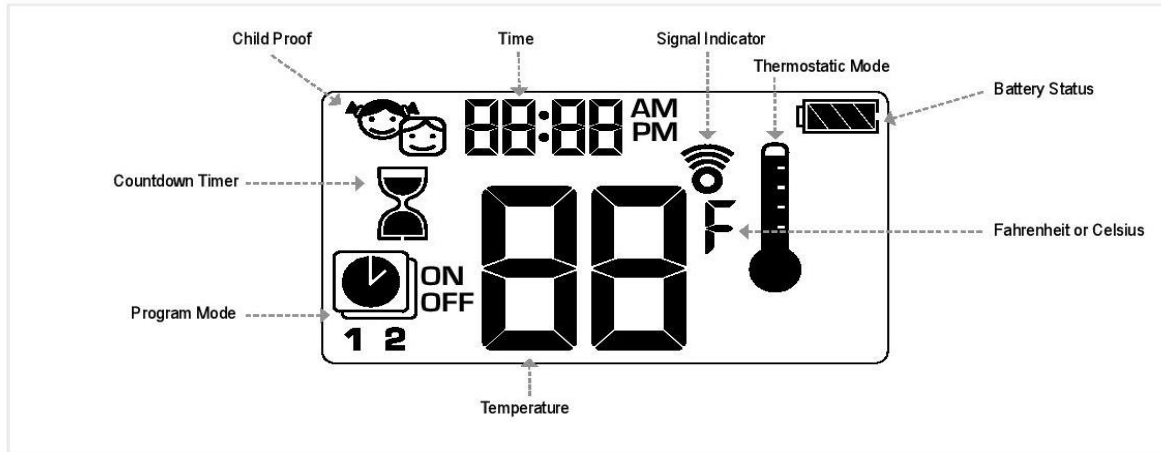
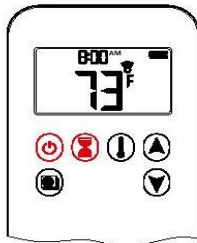

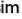


Figure 3. 6-symbol Display

#### SETTING FAHRENHEIT or CELSIUS



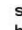


To change between °C and °F, press  and  buttons simultaneously.

**NOTE:** Choosing °F results in a 12 hour clock. Choosing °C results in a 24 hour clock.

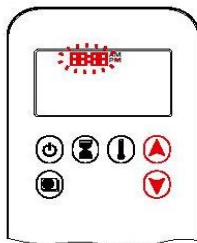
#### CHILD PROOF




**ON:**  
To activate press  and  buttons simultaneously.  displayed and the handset is rendered inoperable, except for the off function.

**OFF:**  
To deactivate press  and  buttons simultaneously.  disappears.

#### SETTING the TIME

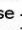


1. Press  and  buttons simultaneously. **Day** flashes.
2. Press  or  button to select a number to correspond with the day of the week (e.g. **1**=Monday, **2**=Tuesday, **3**=Wednesday, **4**=Thursday, **5**=Friday, **6**=Saturday, **7**=Sunday).
3. Press  and  buttons simultaneously. **Hour** flashes.
4. To select hour press  or  button.
5. Press  and  buttons simultaneously. **Minutes** flash.
6. To select minutes press  or  button.
7. To confirm press  and  buttons simultaneously or wait.

#### MANUAL MODE (HANDSET)

##### NOTICE

##### BEFORE OPERATING

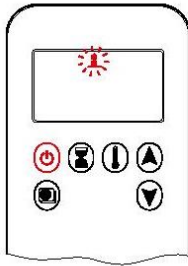
1. Make sure MANUAL knob on the GV60 valve is in the **ON**, full counterclockwise  position.
2. Place the ON/OFF switch (if equipped) in the **I (ON)** position.

##### TO TURN ON FIRE

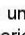
##### ▲ WARNING

When pilot ignition is confirmed, motor turns automatically to maximum flame height.

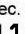


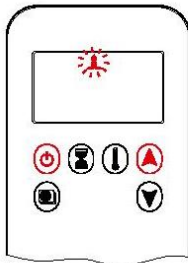


**Handset One-Button Operation**  
(Default Setting)

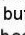
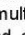
- Press  button until two short beeps and a blinking series of lines confirms the start sequence has begun; release button.
- Main gas flows once pilot ignition is confirmed.
- Handset automatically goes into Manual Mode after main burner ignition.

**NOTICE**


Change from one-button to two-button ignition operation by pressing and holding  button for 10 sec. immediately after installing batteries. **ON** is displayed and **1** is flashing. When change is complete **1** will change to **2**.



**Handset Two-Button Operation**

- Press  and  button simultaneously until two short beeps and a blinking series of lines confirms the start sequence has begun; release buttons.
- Main gas flows once pilot ignition is confirmed.
- Handset automatically goes into Manual Mode after main burner ignition.

**NOTICE**


Change from two-button to one-button ignition operation by pressing and holding  button for 10 sec. immediately after installing batteries. **ON** is displayed and **2** is flashing. When change is complete **2** will change to **1**.

**▲ WARNING**

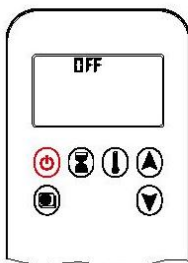
If the pilot does not stay lit after several tries, turn the main valve knob to **OFF** and follow the instructions "TURN OFF GAS TO APPLIANCE" (page 20).

**STANDBY MODE (PILOT FLAME)**

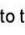
**Handset**

- Press and hold  button to set appliance to pilot flame.

**TO TURN OFF FIRE**

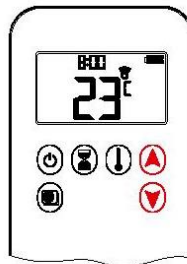


**Handset**



- Press  button to turn off.

**NOTE:** There is a 5 sec delay before the next ignition is possible.

**FLAME HEIGHT ADJUSTMENT**

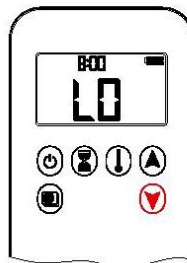



**Handset**

- To increase flame height press and hold  button.
- To decrease flame height or to set appliance to pilot flame, press and hold  button.

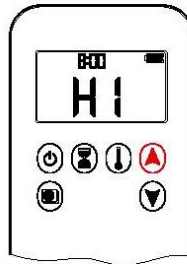
**DESIGNATED LOW FIRE and HIGH FIRE**


**NOTE:** Backlight must be on for high fire and low fire double-click operation.



- To go to low fire, double-click  button. **LO** is displayed.

**NOTE:** Flame goes to high fire first before going to low fire.

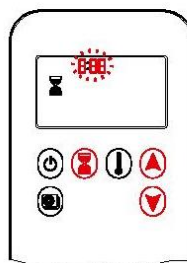


- To go to high fire, double-click  button. **HI** is displayed.

**▲ WARNING**


If the appliance will not operate, follow the instructions "TURN OFF GAS TO APPLIANCE" (page 20).

**COUNTDOWN TIMER**



**ON/SETTING:**

1. Press and hold  button until  displayed, and **hour** flashes.
2. To select hour press  or  button.
3. To confirm press  button. **Minutes** flash.
4. To select minutes press  or  button.
5. To confirm press  button or wait.

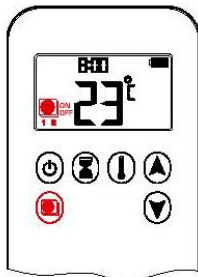
**OFF:**  
Press  button,  and countdown time disappear.

**NOTE:** At end of countdown time period, the fire turns off. The Countdown Timer only works in Manual, Thermostatic, and Eco Modes. Maximum countdown time is 9 hours and 50 minutes.

### MODES of OPERATION



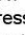

**Thermostatic Mode**  
The room temperature is measured and compared to the set temperature. The flame height is then automatically adjusted to achieve the set temperature.

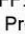
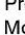




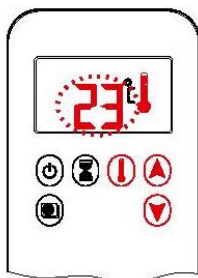
**Program Mode**  
Programs 1 and 2, each can be programmed to go on and off at specific times at a set temperature.


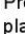
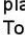


### THERMOSTATIC MODE



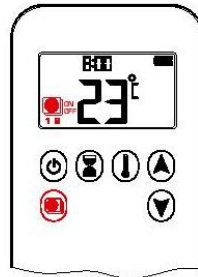
**ON:**  
Press  button.  displayed, preset temperature displayed briefly, and then room temperature displayed.

**OFF:**  
1. Press  button.  
2. Press  or  button to enter Manual Mode.  
3. Press  button to enter Program Mode.

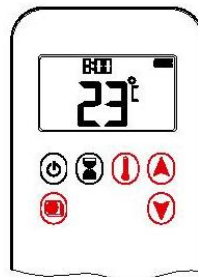



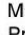
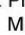

**SETTING:**  
1. Press  button and hold until  displayed, temperature flashes.  
2. To adjust set temperature press  or  button.  
3. To confirm press  button or wait.

### PROGRAM MODE



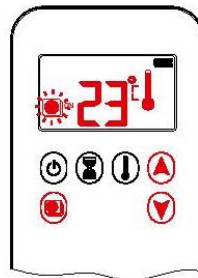
**ON:**  
Press  button.  **1** or **2**, **ON** or **OFF** displayed.


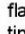
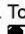
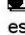
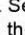




**OFF:**  
1. Press  or  or  button to enter Manual Mode.  
2. Press  button to enter Thermostatic Mode.

**NOTE:** The set temperature for Thermostatic Mode is the temperature for the on time in Program Mode. Changing the Thermostatic Mode set temperature also changes the on time temperature in Program Mode.

**Default settings:**  
ON TIME (Thermostatic) TEMPERATURE: 21 °C (70 °F)  
OFF TIME TEMPERATURE: “--” (pilot flame only)



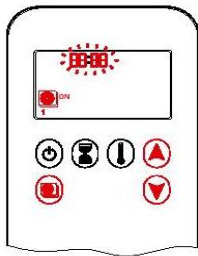
**TEMPERATURE SETTING:**  
1. Press  button and hold until  flashes. **ON** and set temperature (setting in Thermostatic Mode) displayed.  
2. To continue press  button or wait.  **OFF** displayed, temperature flashes.  
3. Select off temperature by pressing the  or  button.  
4. To confirm press  button.

**NOTE:** The on (Thermostatic) and off set temperatures are the same for each day.

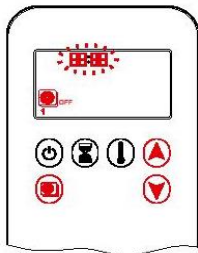


**DAY SETTING:**  
5. **ALL** flashes. Press  or  button to choose between **ALL**, **SFSU**, **1**, **2**, **3**, **4**, **5**, **6**, **7**.  
6. To confirm press  button.

#### RLL selected



- ON TIME SETTING (PROGRAM 1):
7. **1, ON** displayed, **RLL** is displayed shortly, and **hour** flashes.
  8. To select hour press **▲** or **▼** button.
  9. To confirm press **⏻** button. **1, ON** displayed, **RLL** displayed shortly, and **minutes** flash.
  10. To select minutes press **▲** or **▼** button.
  11. To confirm press **⏻** button.



- OFF TIME SETTING (PROGRAM 1):
12. **1, OFF** displayed, **RLL** is displayed shortly, and **hour** flashes.
  13. To select hour, press **▲** or **▼** button.
  14. To confirm press **⏻** button. **1, OFF** displayed, **RLL** displayed shortly, and **minutes** flash.
  15. To select minutes press **▲** or **▼** button.
  16. To confirm press **⏻** button.

**NOTE:** Either continue to PROGRAM 2 and set on and off times or stop programming at this point, and PROGRAM 2 remains deactivated.

**NOTE:** PROGRAM 1 and 2 use the same on (Thermostatic) and off temperatures for **RLL**, **SRSU** and Daily Timer (1, 2, 3, 4, 5, 6, 7). Once a new on (Thermostatic) and/or off temperature has been set, that temperature becomes the new default setting.

**NOTE:** If **RLL**, **SRSU** or Daily Timer are programmed for PROGRAM 1 and PROGRAM 2 on and off times, these become the new default times. The batteries must be removed to clear the PROGRAM 1 and PROGRAM 2 on and off times and temperatures.

#### SRSU or Daily Timer (1, 2, 3, 4, 5, 6, 7) selected

- Set on time and off time using same procedure as "RLL selected" (above).
- **SRSU:** Set on time and off time for both Saturday and Sunday.
- Daily Timer: Unique on and off times may be set for a single day of the week, for multiple days of the week, or for every day of the week.
- Wait to finish setting.

**IMPORTANT.** The location of the remote control handset is important to assure proper temperature regulation. To obtain a constant temperature, Flare recommends that the handset should be between 3 and 15 feet away from the appliance but not directly above it. We also advise that the handset should be located away from any other heat source and not in direct sunlight as this may affect the temperature sensor located in the remote handset.

## RECEIVER AND REMOTE BATTERIES

### Batteries – Remote

- 2 x AAA (alkaline recommended).
- Low battery indicator on handsets with display.
- Battery replacement is recommended after 2 years.

### Batteries – Receiver

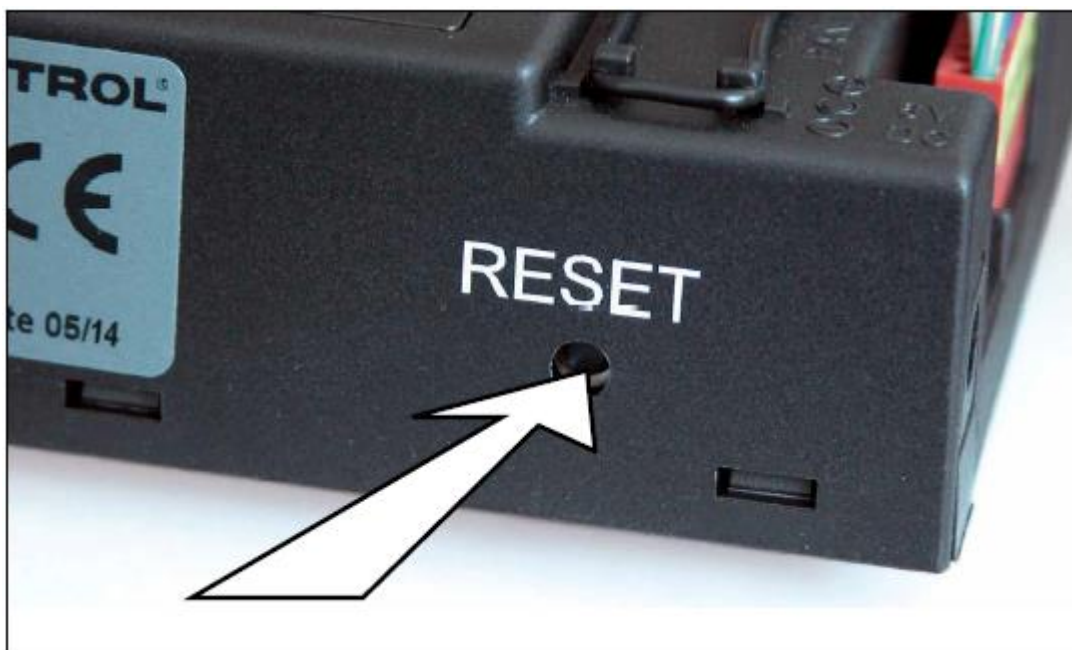
- 4 x 1.5 V “AA” (alkaline ONLY).
- Low battery indication: frequent beeps for 3 seconds when motor turns.
- An AC Mains Adapter may be connected in addition to batteries.
- Without using a mains AC adapter, battery replacement is recommended at the beginning of each heating season as part of the yearly service check.

CAUTION, DO NOT USE a screwdriver or other metallic object to remove the batteries from the battery box!  
This could cause a short circuit to the system.

## PAIRING REMOTE WITH FIREPLACE RECEIVER

Your remote will come paired with the fireplace receiver to allow operation out of the box. In an event, pairing will need to be redone (remote replacement, receiver replacement, etc). Use the following procedure to pair the remote with the receiver:

- Press and hold the receiver’s reset button (see figure 21) until you hear two (2) beeps. The first beep is short and the second beep is long. After the second beep, release the reset button.
- Within the subsequent 20 seconds, press the (Down Arrow) button on the handset until you hear two additional short beeps confirming the code is set. If you hear one long beep, this indicates the code learning sequence has failed or the wiring is incorrect.



## WALL SWITCH – OPTIONAL

The Wall Switch can be used to control your fireplace.

Following operation can be done from the wall switch:

- Turn On fireplace
- Turn Off fireplace
- Increase the flame height.
- Decrease the flame height.



Note that the thermostat and programming functions are not available with the wall switch.

The fireplace receiver will respond to both, the wall switch or remote commands regardless of what was used first or what was used to turn the system on.

The Wall switch is an optional item and is equipped with 20 feet cable.

## MEDIA ARRANGEMENTS

Flare Fireplace can be equipped with different media types. Follow the instruction below for information on how to add and arrange media in your Fireplace:

- Do not place any type of media on the pilot or in front of the pilot. Keep 1" distance from the pilot to allow correct operation of the pilot.
- Do not stack media over 3" above the fireplace burners.
- If using media that was not supplied by Flare Fireplace, make sure that the media is certified/suitable to be used in direct vent gas fireplaces.
- Keep the pilot front cover view open in order to be able to view the pilot spark and flame from outside.
- Fireglass:
  - a.  $\frac{1}{4}$ " or  $\frac{1}{2}$ " fireglass may be used.
  - b. When the fireplace window is open and media is placed, make sure fireglass does not fall on the ceramic glass lower frame as that may cause breakage when putting back the ceramic glass.
  - c. Make sure pilot is clear of any fireglass particles.
  - d. Fireglass maximum height of 1".
- Maintain minimum distance of  $\frac{1}{4}$ " from media to the fireplace glass panels.
- Use the manual for instruction on how to remove and place back the fireplace glass in order to put or arrange the fireplace media.

Ceramic Pebbles



Fireglass



**CHOKING HAZARD!** Ensure that the fireplace area is clear of fire glass particles as these could be ingested by small children. Vacuum area after installation.

## SAFETY SCREEN REMOVAL

Follow the instruction below for safety screen removal.

**The barrier is designed to reduce the risk of burns from the hot viewing glass and is provided with this appliance. It must remain installed for the protection of children and other at-risk individuals.**

**Do NOT operate the fireplace without the safety screens barrier**

### Corner Unit

Step 1 – Remove side magnetic trims.

Step 2 – Remove bottom magnetic trim.

Step 3 – Open hand tight bolt bottom trim and upper trim.



## INTERNAL GLASS REMOVAL

Follow the procedure below to remove and install back the fireplace internal ceramic glass (double glass fireplace configuration)

**Warning:** Turn off the fireplace, and allow time for the unit to cool before attempting to remove the glass.

**CAUTION:** The ceramic glass is very fragile, and should be handled with care.

**CAUTION:** Do not operate the appliance with glass removed, cracked or broken.  
Replacement of the panel(s) should be done by a licensed or qualified service person

Step 1 – Attach glass suction cups to the glass and remove the glass **lower trim** by releasing bottom bolts. Place lower trim in a secure place.

Step 2 – Release the glass **upper trim**. The upper trim is attached with hand tighten bolts. The top trim gap will open once bolts are released and will allow for the glass to be removed.

Step 3 – Tilt the **bottom** of the window frame and rest it in the gap between the external frame and glass holder

Step 4 - Tilt the **top** of the window frame and lift out to clear the top edge of the unit. Place the window frame in a safe place to avoid damage. Repeat the steps above in reverse order to install the external glass back.

**When putting back the glass, DO NOT overtighten the bolts or glass may break**

Step 1-1



Step 1-2



Step 3 - Tilt the **bottom**



Step 4 - Tilt the **top**





## EXTERNAL GLASS - FIRST TIME REMOVAL – DOUBLE GLASS FIREPLACE

- This step is only applicable for first time external glass removal during installation, before the wall has been finished around the fireplace.
- Remove and discard glass locking stainless screws from the top and bottom fireplace frame.
- When removing the external glass from a double glass unit verify the lock screws have been removed and discarded.



The lock screws are only needed for shipping. Please discard once fireplace is unpacked and placed in installation site.

**It is not possible to remove the glass if lock screws are not remove.**

It is not possible to remove the lock screws after fireplace wall has been finished.

## EXTERNAL GLASS REMOVAL – DOUBLE GLASS FIREPLACE

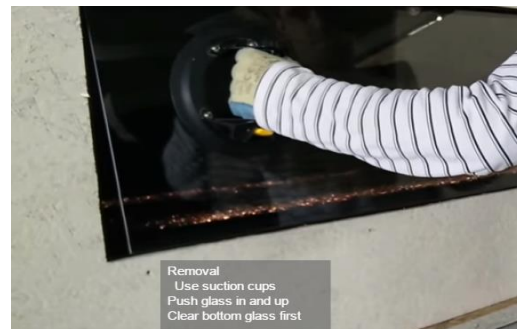
Follow the procedure below to remove and install back the fireplace external glass (double glass fireplace configuration)

**Warning!** Turn off the fireplace, and allow time for the unit to cool before proceeding.

**Caution:** The glass is very fragile, and should be handled with care.

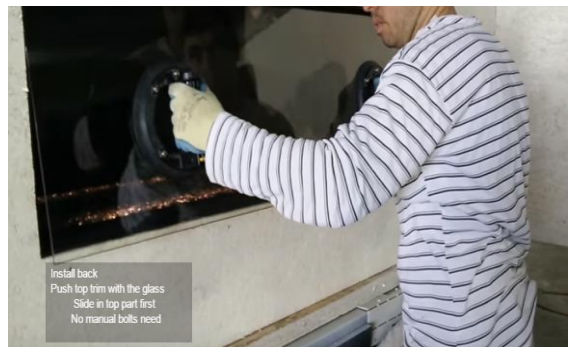
**Warning!** Double glass fireplace should **NOT** be operated without the external glass

- Confirm lock screws have been removed during install (should be done once, during install only).
- Attach glass suction cups to the glass. Use more than one suction cup if needed (any unit above 45”).
- Using suction cups, slightly push in the external glass top edge.
- Once glass has been pushed, slightly lift the glass to clear bottom part of the glass.
- Remove the glass and place in a secure location.



## Install back external glass

- Attach glass suction cups to the glass. Use more than one suction cup if needed ( any unit above 45” )
- Place upper edge of the glass in position and push latching trim.
- Once trim has been pushed in, slide glass top in position.
- Title in bottom edge of the glass in position as you are lifting the glass up.
- Glass is now secure in place. No bolts are need to lock the glass.



## INSTALLATION STEPS:

1. Prior to starting the installation, make sure you read and understand all WARNING information in the manual. Do not start the installation if you are not clear about any of the installation related subjects.
2. Determine the following:
  - The vent system configuration to be used based on the fireplace location. Follow the manual venting section ([Chimney path installation & planning tables](#)) to determine the venting requirements and setting.  
**Note** – Venting requirements are model specific.  
**Note:** Make sure the vent requirements are supported by the Flare manual and installation instruction.
  - Clearance requirements from combustible and non-combustible materials. Follow the [clearance instruction and example](#) in the manual.  
**Note** – Clearance instructions and examples are model specific.
  - Gas supply piping.
  - Confirm if the fireplace is going to operate using Natural Gas (NG) or Propane (LPG). Use the attached product label to confirm the fireplace is set for the expected gas type.
  - Electrical wiring requirements.
  - Framing and finishing details.
3. Unpack the fireplace box, adjust telescopic legs and place in the upright position. [Follow instruction for fireplace unpacking.](#)
4. Put the Fireplace in the desired location. Verify clearance to non-combustible and combustible materials. Follow the [clearance instruction](#) and example in the manual.
5. Attach the unit back bracket to the wall framing.
6. For double glass ,remove glass locking screws and discard.
7. Adjust Fireplace [vent restrictor](#) based on vent configuration and planning guide. Document vent restrictor setup\_\_\_\_\_
8. Connect vent system to the Fireplace.
9. Connect gas ([Gas connection section](#)) line to the Fireplace and verify gas inlet and outlet pressure. Measure and document gas pressure. Inlet \_\_\_\_\_ W.C.
10. Confirm if adjustments for [high altitude](#) are needed (Installation at above 2000 Ft from sea level).
11. Connect electrical wiring for applicable units.
12. Insert and place Fireplace media. Use [media arrangement](#) guide from the manual.
13. Verification of:
  - Ignition and pilot system
  - Burning and flame
14. Complete framing and wall covers

**Read all of the instructions before starting the installation. Follow these instructions carefully during the installation to ensure maximum safety and benefit.**

**Follow the Step above to insure proper installation of the Gas appliance**

**WARNING! Risk of Fire or Explosion! Damaged parts could impair safe operation. DO NOT install damaged, incomplete or substitute components.**

## INSTALLATION PREPARATION

### FIREPLACE UNPACKING

Follow the instructions below for unpacking the unit:

- Check the packing and confirm there is no external damage. If damage exists, please notify Flare Fireplaces immediately.
- Remove the top wood studs and pull the external carton box up.
- Please do not remove the blue wrap completely at this stage.
- Leave the fireplace placed on the pallet for the next step: Fireplace legs setup.



## FIREPLACE TELESCOPIC LEGS SETUP

The fireplace legs will need to be setup once box is removed. The legs will need to be pulled out and extended to the desired length. On Corner units (Flare-RC/LC/DC/RD) front legs will need to be assembled. Follow the following steps for telescopic legs setup prior to positioning the fireplace in its place:

Setting fireplace legs can be done by:

- Lifting fireplace side and extending the fireplace legs.
- Placing fireplace on its back and extending the fireplace legs.

### Back Legs

- Step 1 - Release the 3 screws from both back legs in order to allow calibration of the leg length.
- Step 2 – Extend the telescopic leg to the desired length, minimum 3” (That will set the fireplace 9” from the bottom of the glass to the floor).
- Step 3 – Retighten the three screws on both legs to secure the telescopic legs in position.

Step 1



Step 2



Step 3

## Front Legs

- For Flare Front/See through units, repeat step 1-3 for back support legs.
- For Flare Corner units ( Flare-RC/LR/DC/RD) follow the following steps:
  - Step 1 - Release leg extension from the pallet.
  - Step 2 - Place the front leg extension on the fireplace front leg.
  - Step 3 - Use a measuring tape to extend the leg to the match the back legs length.
  - Step 4 - Retighten the screws on both legs to secure the telescopic legs in position.

Step 1



Step 2



Step 3



Step 4



Fireplace must NOT be installed without telescopic legs extracted to a minimum of 3"

Installing fireplace without telescopic legs is a fire hazard

## UNPACKING CONTROL UNIT AND ACCESSORIES

Unpack the control unit (Gas valve and circuit board) and accessories (remote, power adapter & wall switch) from the packing location:

- Place accessories (white boxes) in a secure location.
- The control unit is attached to the fireplace on an “umbilical cord”. Once fireplace is moved to its final location the control unit can be put close to the service access door.



## FIREPLACE POSITIONING

Once Fireplace has been set to the upright position, it can be moved to its final install location.

- Make sure the control unit is secure and not dragging on the floor during transport and positioning.
- When positioning the fireplace take consideration of clearance requirements and framing. Use the manual clearance guide for more details.
- Attach the fireplace top brackets to the metal stud in the back in order to secure the fireplace in its place. The bracket length can be adjusted by releasing the screws on the top.





### VENT TERMINATION

Framing for vent in combustible walls & ceilings:

When penetrating through combustible walls and ceilings, framing will depend on the type of vent installation, horizontal or vertical. Ensure that the insulation is kept clear of the vent pipe using either a wall thimble or an attic insulation shield. Follow the installation instructions supplied with the individual venting components.

**These instructions should be used as a guideline and do not supersede local codes in any way. Install venting according to local codes, these instructions, the current National Fuel Gas Code (ANSI-Z223.1) in the USA or the current standards of CAN/CSA-B149.1 in Canada.**

**Approved Pipe** - This appliance is approved for use with M&G DURAVENT venting systems ONLY.

DO NOT mix pipe, fittings or joining methods from different manufacturers.

For detailed chimney installation information please use the M&G DuraVent direct vent installation manual:

<http://www.duravent.com>

#### **Instruction**

- Where a vent pipe passes through a floor or ceiling, a ceiling firestop **MUST** be used to retain insulation and maintain proper clearances. Use roof support bracket where needed.
- Install the first section of vent pipe into the collar on top of the fireplace.
- Connections between each vent system component must be tightly joined and secured. Follow the vent manufacture instruction for information on how to seal and secure vent and vent connections.
- Horizontal runs of vent pipe must be supported to prevent any downward sags. Horizontal pipe sections should be supported at least every 4-feet. Wall Straps can be used for this purpose.
- When installing the vent pipe, make sure that the vent pipe is supported by the structural/frame surrounding and not by fireplace.

**Follow the vent manufacture instruction for information on how install, seal and secure vent and vent connections.**

### **WARNING!**

DO NOT pack insulation around the vent. Insulation must be kept back from the pipe to prevent overheating.

ALWAYS maintain specified clearances around venting and firestop systems.

Install wall shield and ceiling firestops as specified.

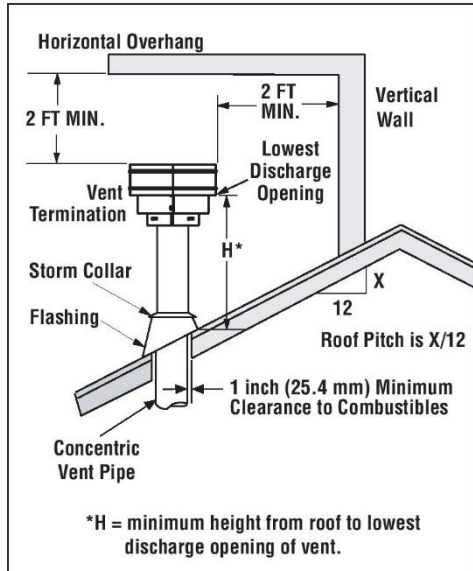
#### **Minimum Combustible Clearances from Vent –**

- **HORIZONTAL VENT CLEARANCES:** A minimum clearance of **3"** (76mm) to the top and **1"** (51mm) to the sides and bottom of the vent pipe on all horizontal runs to combustibles is required.
- **VERTICAL VENT CLEARANCES:** A minimum of **1"** (25mm) all around the vent pipe on all vertical runs to combustibles is required except for clearances in appliance enclosures.
- Horizontal Vent have a minimum **1/4"** (6mm) rise per foot towards the termination.

#### **VERTICAL TERMINATION**

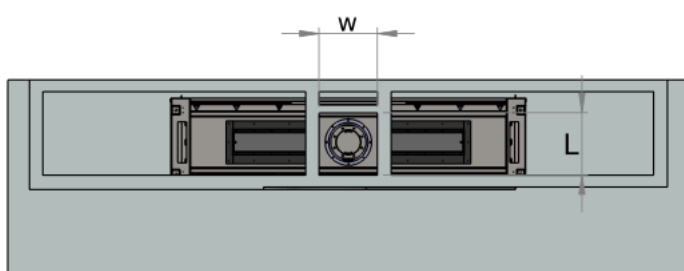
See below for minimum opening of frame for vertical termination, vent penetrates a ceiling/floor. Please make sure clearances to combustible is maintained as detailed above. Opening size will depend on the vent size/fireplace size.

Minimum height from roof lowest discharge opening



**Termination Heights for Vents Above Flat or Sloped Roofs (Ref. NFPA 54 / ANSI Z223.1)**

Roof Pitch	*Feet	*Meters
Flat to 6/12	1.0	0.3
6/12 to 7/12	1.25	0.38
7/12 to 8/12	1.5	0.46
8/12 to 9/12	2.0	0.61
9/12 to 10/12	2.5	0.76
10/12 to 11/12	3.25	0.99
11/12 to 12/12	4.0	1.22
12/12 to 14/12	5.0	1.52
14/12 to 16/12	6.0	1.83
16/12 to 18/12	7.0	2.13
18/12 to 20/12	7.5	2.29
20/12 to 21/12	8.0	2.44

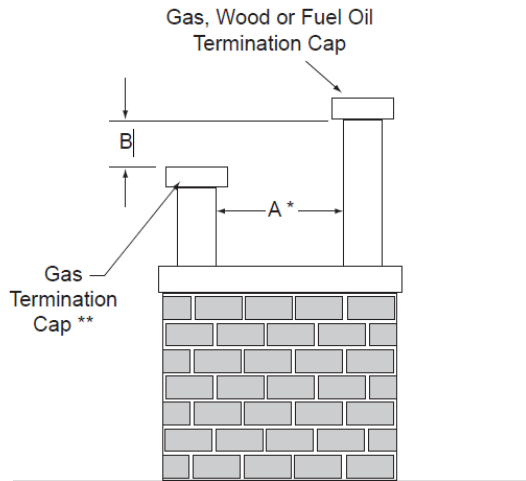


Vertical Vent Termination Opening/Framing

Model Size	W	L
Flare 25-45	8"	8"
Flare 50-100	10"	10"

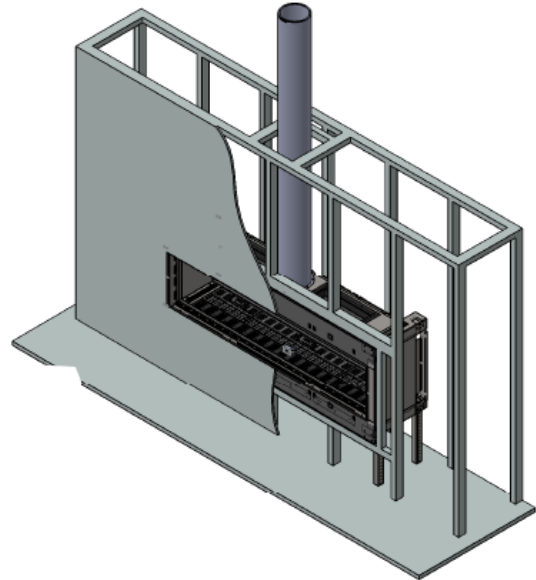
### Multiple terminations

A	B
6 in. (minimum) up to 20 in. <i>152 mm/508 mm</i>	18 in. minimum <i>457 mm</i>
20 in. and over	0 in. minimum



\* If using decorative cap cover(s), this distance may need to be increased. Refer to the installation instructions supplied with the decorative cap cover.

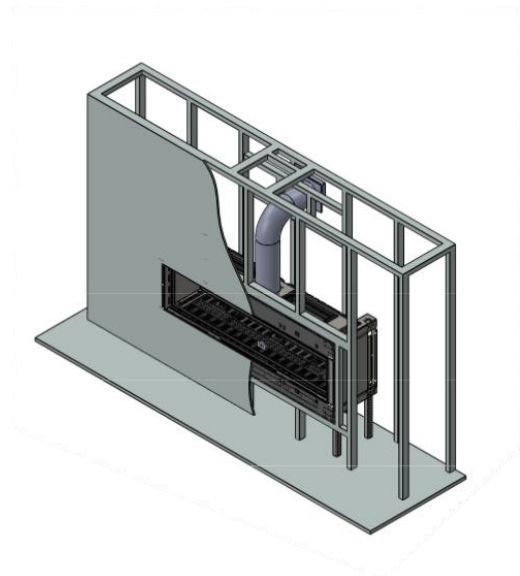
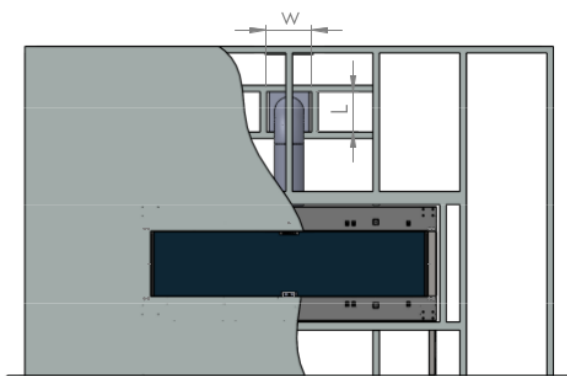
\*\* In a staggered installation with both gas and wood or fuel oil terminations, the wood or fuel oil termination cap must be higher than the gas termination cap.



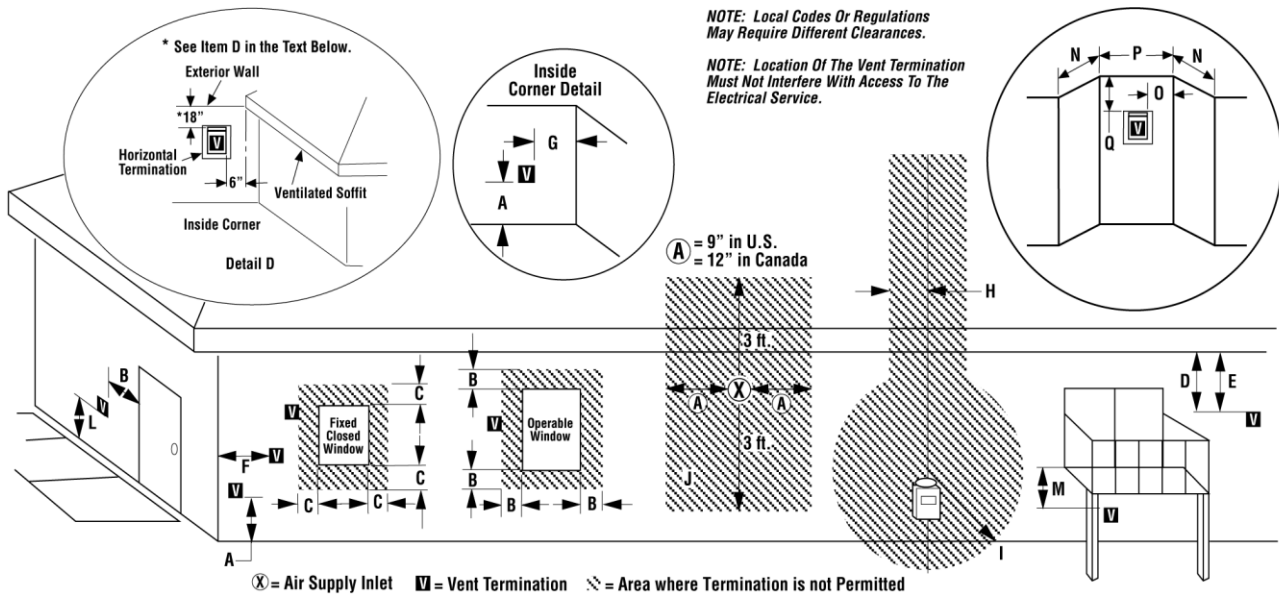
### HORIZONTAL TERMINATION

See below for minimum opening of frame for vertical termination, vent penetrates a wall. Please make sure clearances to combustibles is maintained as detailed in vent clearance specification. Opening size will depend on the vent size/fireplace size.

Model Size	W	L
Flare 25-45	8"	10"
Flare 50-100	10"	12"



### Vent termination clearances



	Canadian Installation*	US Installation**
<b>A</b> = Clearance above grade, veranda, porch, deck, or balcony.	12 inches (30cm)*	12 inches (30cm)**
<b>B</b> = Clearance to window or door that may be opened.	6 inches (15cm) for appliances < 10,000 Btuh (3kW), 12 inches (30cm) for appliances > 10,000 Btuh (3kW)	6 inches (15cm) for appliances < 10,000 Btuh (3kW), 9 inches (23cm) for appliances > 10,000 Btuh (3kW) and < 50,000 Btuh (15kW), 12 inches (30cm) for appliances > 50,000 Btuh (15kW)**
<b>C</b> = Clearance to permanently closed window	12 inches (305mm) recommended to prevent window condensation	9 inches (229mm) recommended to prevent window condensation
<b>D</b> = Vertical clearance to ventilated soffit located above the termination within a horizontal distance of 18 inches (458mm) from the center line of the termination	18 inches (458mm)	18 inches (458mm)
<b>E</b> = Clearance to unventilated soffit	12 inches (305mm)	12 inches (305mm)
<b>F</b> = Clearance to outside corner	5 inches (12.7cm) minimum	5 inches (12.7cm) minimum
<b>G</b> = Clearance to inside corner	2 inches (5.08cm) minimum - SV4.5HT-2	2 inches (5.08cm) minimum - SV4.5HT-2
<b>H</b> = Clearance to each inside of center line extended above meter/regulator assembly	3 feet (91cm) within a height of 15 feet above the meter/regulator assembly*	3 feet (91cm) within a height of 15 feet above the meter/regulator assembly**
<b>I</b> = Clearance to service regulator vent outlet	3 feet (91cm)*	3 feet (91cm)**
<b>J</b> = Clearance to nonmechanical air supply inlet to building or the combustion air inlet to any other appliance	6 inches (15cm) for appliances < 10,000 Btuh (3kW), 12 inches (30cm) for appliances > 10,000 Btuh (3kW)	6 inches (15cm) for appliances < 10,000 Btuh (3kW), 9 inches (23cm) for appliances > 10,000 Btuh (3kW) and < 50,000 Btuh (15kW), 12 inches (30cm) for appliances > 50,000 Btuh (15kW)**
<b>K</b> = Clearance to a mechanical air supply inlet	6 feet (1.83m)*	3 feet (91cm) above if within 10 feet (3m) horizontally**
<b>L</b> = Clearance above paved sidewalk or paved driveway located on public property	7 feet (2.13m)‡	7 feet (2.13m)‡
<b>M</b> = Clearance under veranda, porch, deck or balcony	12 inches (30cm)*‡	12 inches (30cm)‡
<b>N</b> = Depth of Alcove (Maximum)	6 feet (1.83m)*	6 feet (1.83m)**
<b>O</b> = Clearance to Termination (Alcove)	6 inches (15.2mm)*	6 inches (15.2mm)**
<b>P</b> = Width of Alcove (Minimum)	3 feet (91cm)*	3 feet (91cm)*
<b>Q</b> = Clearance to Combustible Above (Alcove)	18 inches (457mm)*	18 inches (457mm)**
* In accordance with the current CSA-B149.1 National Gas And Propane Installation Code.		
** In accordance with the current ANSI S223.1/NFPA 54 National Fuel Gas Codes.		
‡ A vent shall not terminate directly above a sidewalk or paved driveway which is located between two single family dwellings and serves both dwellings.		
*‡ Only permitted if veranda, porch, deck or balcony is fully open on a minimum 2 sides beneath the floor:		

## VENT RESTRICTOR SETUP

Flare Fireplace direct vent system is equipped with a vent restrictor. Use the chimney path installation planning chapter to determine what the vent restrictor setup should be for your installation.

Vent restrictor changes and setup should only be done by a certified installer

- The unit leaves the factory with the vent restrictor open.
- The vent restrictor is adjusted using a 10mm wrench below the front upper frame.
- The vent restrictor setting are from 1 (minimum restriction) to 6 (max restriction).
- The installer will document the restrictor setting in the end of the installation.
- Use the [vent planning guide](#) and table to determine the restrictor setting.



### Restrictor not set right:

Restrictor position is too closed if the flame has the following characteristics:

- Flame is excessively tall and lifting.
- Flame lacks movement.

Restrictor position is too open if the flame has the following characteristics:

- Flame height is low.
- Flame has excessive movement

Document any change to the restrictor setting

Contact Flare Fireplaces for support if needed

## CHIMNEY PATH INSTALLATION & PLANING

Before installing venting for this unit, the installer should read these instructions to insure that the proper vent configuration has been selected.

### **General instructions** -

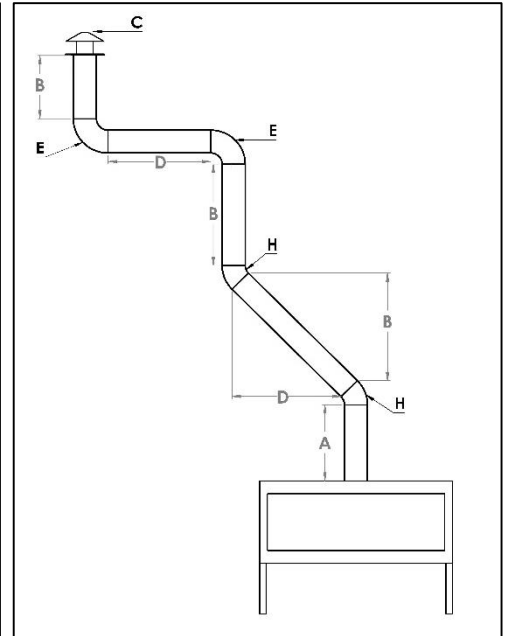
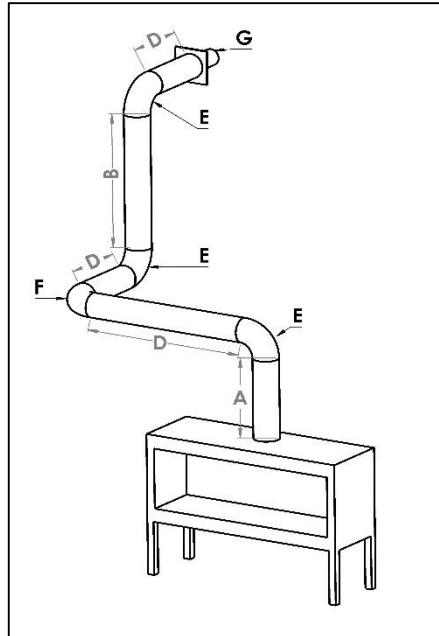
- Diagonal runs have both vertical and horizontal vent aspects when calculating the effects. Use the rise for the vertical aspect and the run for the horizontal aspect
- Various combinations of vent runs may be used. Refer to the tables below based on Fireplace size. Use the attached example for clarification on how to use the table.
- The numbers in the table represent the restrictor setting based on the vent path.
  - Symbol “x” in the table means the path is not allowed.
  - Setting the restrictor to 1 means there is no restriction
  - Numbers in the table represent the restrictor setting to be set.
- Document the restrictor setting configuration prior to leaving the installation site.
- The tables apply to both NG and LPT.
- Minimum 3 Ft vertical run (A) required before any bend or turn.
- Two 45° elbows may be used in place of one 90° elbow.
- **Vent Elbows**
  - All venting charts are valid with 4 x 90° ELBOWS MAXIMUM (or equivalent) are allowed. Any configuration with above 4 elbows requires vent review approval by Flare Fireplaces.
  - The tables represent the manufacturer’s guideline based on testing and design. Additional external factors may affect the restrictor choice needed. If flame appears to be not typical, please contact Flare Fireplaces for restrictor size recommendations.
- Use the empty table in the page below to document and calculate the installation vent path.
- Any venting pathway that does not appear the tables below require approval from Flare Fireplaces.

For optimum performance and flame appearance, keep the vent length to a minimum and limit the number of elbows.

FLARE 25

Suitable for all Flare 25 appliances: Flare Front 25, Flare See-Through 25, Flare Double Corner 25, Flare Left Corner 25, Flare Right Corner 25.

Length	
X - Effective Horizontal Length	
Y - Effective Vertical Length	
Y Axis Parameters	
A	First Flue length (1 m / 3 ft. min)
B	Vertical Flue length
C	Roof Terminal = 0.5 m / 1.5 ft.
H	Small Elbow (45°) = 0.3 m / 1 ft.
X Axis Parameters	
D	Horizontal Flue length
E	Elbow (90°) = 1 m / 3 ft.
F	Elbow (lying 90°) = 2 m / 6 ft.
G	Wall Terminal = 1 m / 3 ft.



**Adjust Restrictor level using Table 1:**  
 1 – 6: adjust your restrictor level according to the table.  
 X: Not Eligible chimney path! Plan a different chimney path.

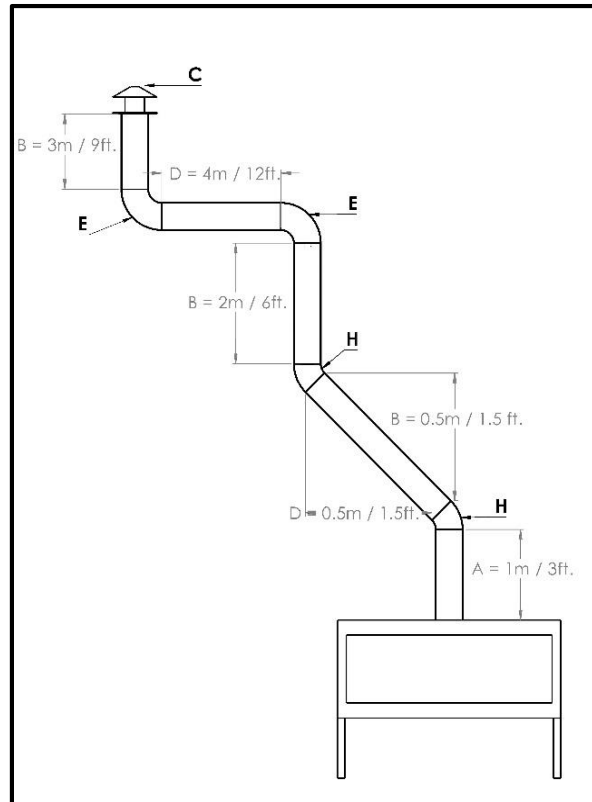
**Restrictor level (Table 1):**

Y - Effective Vertical Length	Y/X	X - Effective Horizontal Length												
	m / ft.	0	1 / 3'	2 / 6'	3 / 10'	4 / 13'	5 / 17'	6 / 20'	7 / 23'	8 / 26'	9 / 30'	10 / 33'	11 / 36'	12 / 39'
1 / 3'	3	2	1	1	1	1	1	1	1	1	1	x	x	x
2 / 6'	4	2	2	2	2	1	1	1	1	1	1	1	1	1
3 / 10'	4	2	2	2	1	1	1	1	1	1	1	1	1	1
4 / 13'	3	2	1	1	1	1	1	1	1	1	1	1	1	1
5 / 16'	2	1	1	1	1	1	1	1	1	1	1	1	1	1
6 / 19'	2	1	1	1	1	1	1	1	1	1	1	1	1	1
7 / 23'	2	1	1	1	1	1	1	1	1	1	1	1	1	1
8 / 26'	1	1	1	1	1	1	1	1	1	1	1	1	x	x
9 / 30'	1	1	1	1	1	1	1	1	1	1	x	x	x	x
10 / 33'	1	1	1	1	1	1	1	1	1	x	x	x	x	x
11 / 36'	1	1	1	1	1	1	1	1	x	x	x	x	x	x
12 / 39'	1	1	1	1	1	1	1	1	x	x	x	x	x	x
13 / 43'	1	1	1	1	1	1	1	1	x	x	x	x	x	x
14 / 46'	1	1	1	1	1	1	1	1	x	x	x	x	x	x
15 / 50'	1	1	1	1	1	1	1	1	x	x	x	x	x	x

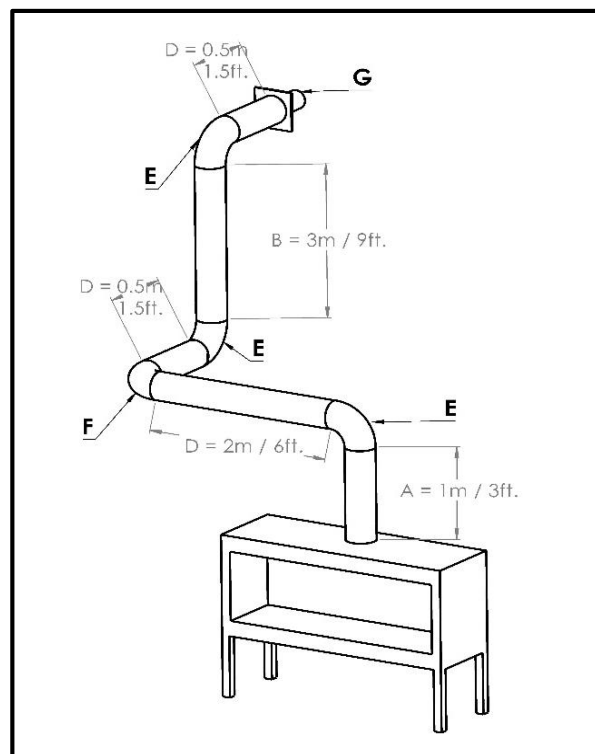


FLARE 25H – CHIMENY PATHS EXAMPLES

Parameters	Calculation
<b>X - Effective Horizontal Length</b>	<b>6.5m / 19.5ft.</b>
<b>Y - Effective Vertical Length</b>	<b>7.6m / 23ft.</b>
<b>Restrictor Level By Table 1:</b>	<b>Level 1</b>
<b>Y Axis Parameters</b>	
A – First Flue length (1 m / 3 ft. min)	1m / 3ft.
B – Vertical Flue length	5.5m / 16.5ft.
C – Roof Terminal = 0.5 m / 1.5 ft.	0.5m / 1.5ft.
H – Small Elbow (45°) = 0.3 m / 1 ft.	0.6m / 2ft.
<b>X Axis Parameters</b>	
D – Horizontal Flue length	4.5m / 13.5ft.
E – Elbow (90°) = 1 m / 3 ft.	2m / 6ft.
F – Elbow (lying 90°) = 2 m / 6 ft.	0
G – Wall Terminal = 1 m / 3 ft.	0



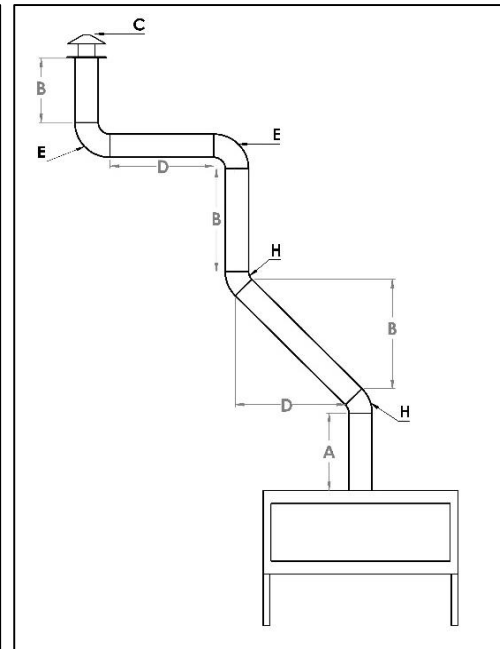
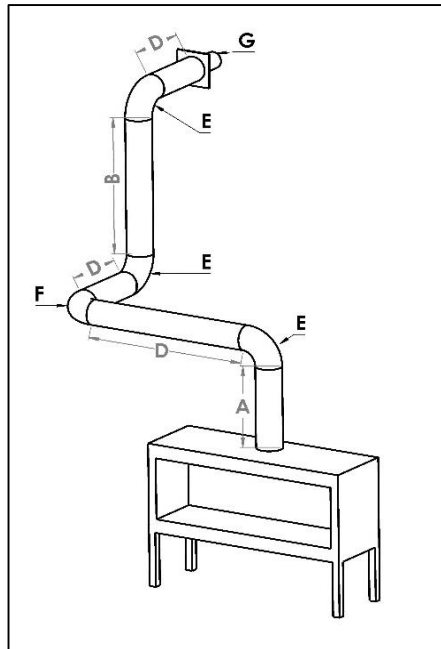
Parameters	Calculation
<b>X - Effective Horizontal Length</b>	<b>9m / 27ft.</b>
<b>Y - Effective Vertical Length</b>	<b>4m / 12ft.</b>
<b>Restrictor Level By Table 1:</b>	<b>Level 1</b>
<b>Y Axis Parameters</b>	
A – First Flue length (1 m / 3 ft. min)	1m / 3ft.
B – Vertical Flue length	3m / 9ft.
C – Roof Terminal = 0.5 m / 1.5 ft.	0
H – Small Elbow (45°) = 0.3 m / 1 ft.	0
<b>X Axis Parameters</b>	
D – Horizontal Flue length	3m / 9ft.
E – Elbow (90°) = 1 m / 3 ft.	3m / 9ft.
F – Elbow (lying 90°) = 2 m / 6 ft.	2m / 6ft.
G – Wall Terminal = 1 m / 3 ft.	1m / 3ft.



FLARE 30H

Suitable for all Flare 30 appliances: Flare Front 30, Flare See-Through 30, Flare Double Corner 30, Flare Left Corner 30, Flare Right Corner 30, Flare Room Definer 30.

Length
<b>X - Effective Horizontal Length</b>
<b>Y - Effective Vertical Length</b>
<b>Y Axis Parameters</b>
A – First Flue length (1 m / 3 ft. min)
B – Vertical Flue length
C – Roof Terminal = 0.5 m / 1.5 ft.
H – Small Elbow (45°) = 0.3 m / 1 ft.
<b>X Axis Parameters</b>
D – Horizontal Flue length
E – Elbow (90°) = 1 m / 3 ft.
F – Elbow (lying 90°) = 2 m / 6 ft.
G – Wall Terminal = 1 m / 3 ft.



**Adjust Restrictor level using Table 1:**

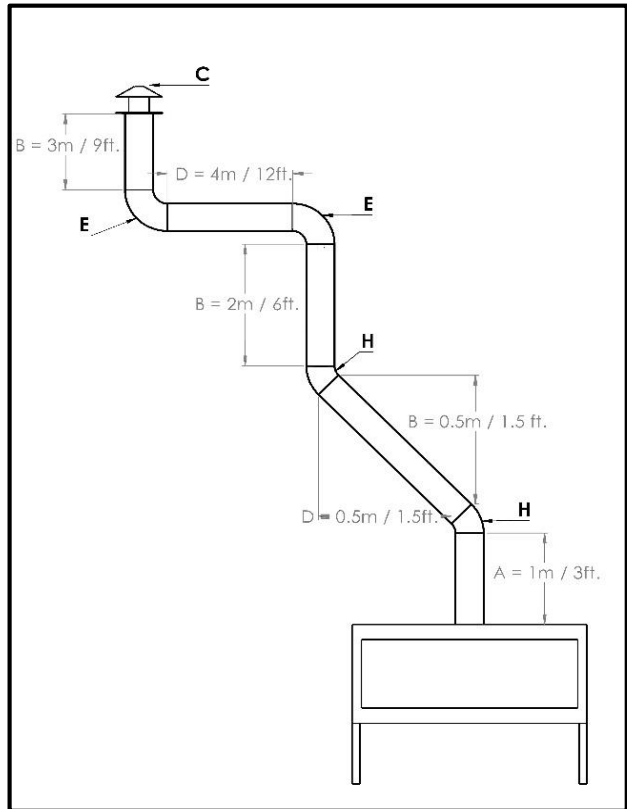
1 – 6: adjust your restrictor level according to table.  
 X: Not Eligible chimney path! Plan a different chimney path.

**Restrictor level (Table 1):**

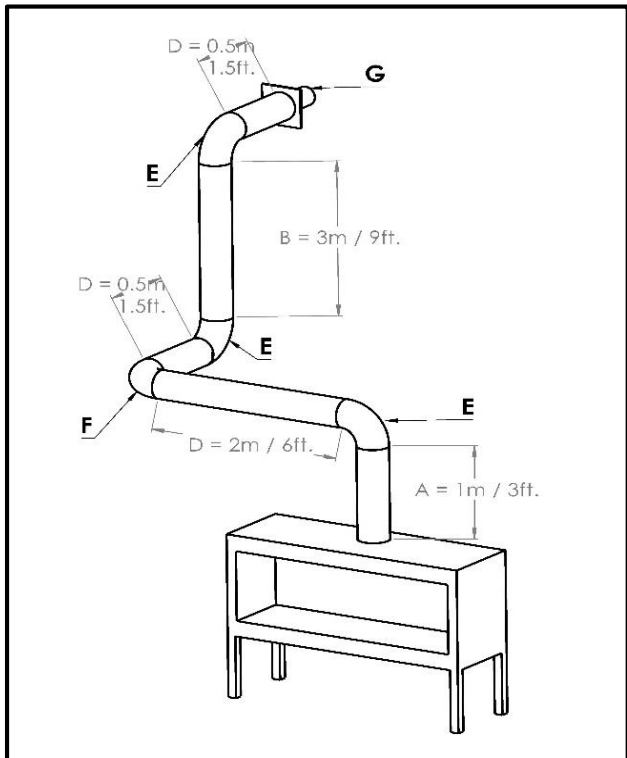
Y / X	X - Effective Horizontal Length													
	[m/feet]	0	1 / 3'	2 / 6'	3 / 10'	4 / 13'	5 / 17'	6 / 20'	7 / 23'	8 / 26'	9 / 30'	10 / 33'	11 / 36'	12 / 39'
- Effective Vertical Length	1 / 3'1"	3	2	1	1	1	1	1	1	1	x	x	x	x
	2 / 6'2"	3	2	2	1	1	1	1	1	1	1			
	3 / 9'10"	3	2	2	1	1	1	1	1	1	1	1	1	1
	4 / 13'	2	2	1	1	1	1	1	1	1	1	1	1	1
	5 / 16'5"	2	1	1	1	1	1	1	1	1	1	1	1	1
	6 / 19'8"	2	1	1	1	1	1	1	1	1	1	1	1	1
	7 / 23'	2	1	1	1	1	1	1	1	1	1	1	x	x
	8 / 26'	1	1	1	1	1	1	1	1	1	1	1	x	x
	9 / 30'	1	1	1	1	1	1	1	1	1	x	x	x	x
	10 / 33'	1	1	1	1	1	1	1	1	1	x	x	x	x
	11 / 36'	1	1	1	1	1	1	x	x	x	x	x	x	x
	12 / 39'	1	1	1	1	1	1	x	x	x	x	x	x	x
	13 / 43'	1	1	1	1	1	1	x	x	x	x	x	x	x
	14 / 46'	1	1	1	1	1	1	x	x	x	x	x	x	x
	15 / 50'	1	1	1	1	1	1	x	x	x	x	x	x	x

FLARE 30H – CHIMENY PATHS EXAMPLES

Parameters	Calculation
<b>X - Effective Horizontal Length</b>	<b>6.5m / 19.5ft.</b>
<b>Y - Effective Vertical Length</b>	<b>7.6m / 23ft.</b>
<b>Restrictor Level By Table 1:</b>	<b>Level 1</b>
<b>Y Axis Parameters</b>	
A – First Flue length (1 m / 3 ft. min)	1m / 3ft.
B – Vertical Flue length	5.5m / 16.5ft.
C – Roof Terminal = 0.5 m / 1.5 ft.	0.5m / 1.5ft.
H – Small Elbow (45°) = 0.3 m / 1 ft.	0.6m / 2ft.
<b>X Axis Parameters</b>	
D – Horizontal Flue length	4.5m / 13.5ft.
E – Elbow (90°) = 1 m / 3 ft.	2m / 6ft.
F – Elbow (lying 90°) = 2 m / 6 ft.	0
G – Wall Terminal = 1 m / 3 ft.	0



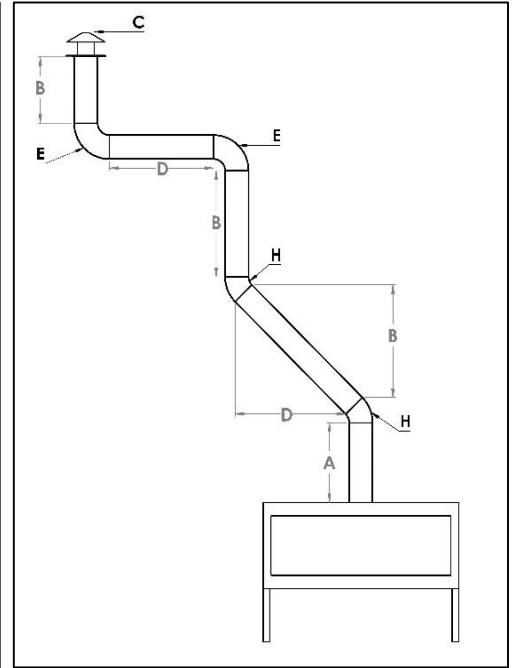
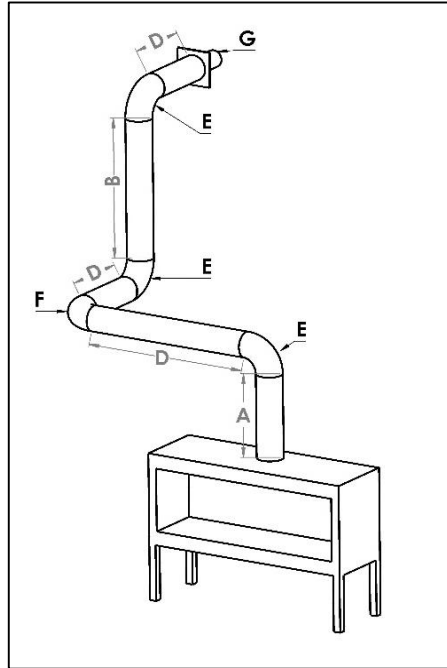
Parameters	Calculation
<b>X - Effective Horizontal Length</b>	<b>9m / 27ft.</b>
<b>Y - Effective Vertical Length</b>	<b>4m / 12ft.</b>
<b>Restrictor Level By Table 1:</b>	<b>Level 1</b>
<b>Y Axis Parameters</b>	
A – First Flue length (1 m / 3 ft. min)	1m / 3ft.
B – Vertical Flue length	3m / 9ft.
C – Roof Terminal = 0.5 m / 1.5 ft.	0
H – Small Elbow (45°) = 0.3 m / 1 ft.	0
<b>X Axis Parameters</b>	
D – Horizontal Flue length	3m / 9ft.
E – Elbow (90°) = 1 m / 3 ft.	3m / 9ft.
F – Elbow (lying 90°) = 2 m / 6 ft.	2m / 6ft.
G – Wall Terminal = 1 m / 3 ft.	1m / 3ft.



FLARE 45/45H

Suitable for all Flare 45/45H appliances: Flare Front 45/45H, Flare See-Through 45/45H, Flare Double Corner 45/45H, Flare Left Corner 45/45H, Flare Right Corner 45/45H, Flare Room Definer 45/45H.

Length	
X - Effective Horizontal Length	
Y - Effective Vertical Length	
Y Axis Parameters	
A	First Flue length (1 m / 3 ft. min)
B	Vertical Flue length
C	Roof Terminal = 0.5 m / 1.5 ft.
H	Small Elbow (45°) = 0.3 m / 1 ft.
X Axis Parameters	
D	Horizontal Flue length
E	Elbow (90°) = 1 m / 3 ft.
F	Elbow (lying 90°) = 2 m / 6 ft.
G	Wall Terminal = 1 m / 3 ft.



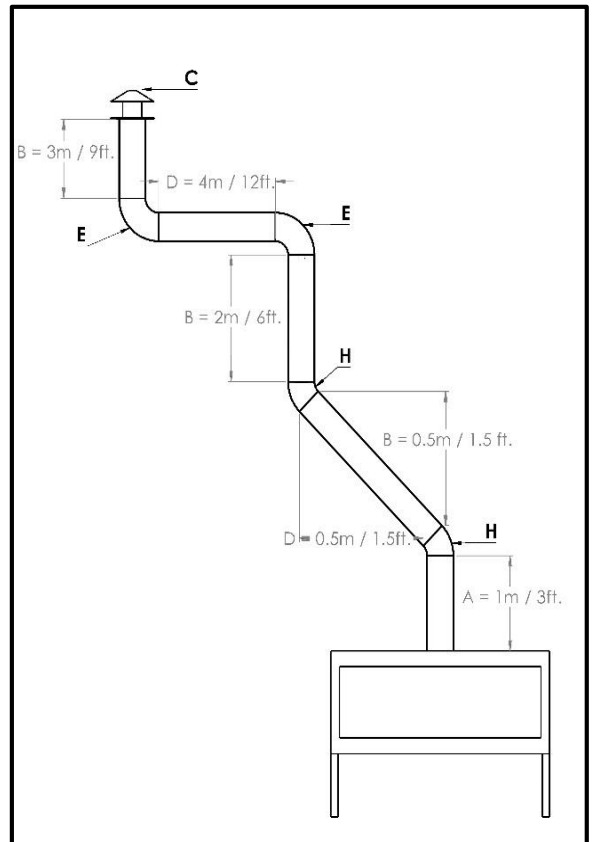
**Adjust Restrictor level using Table 1:**  
 -6: adjust your restrictor level according to table. X:  
 Not Eligible chimney path! Plan a different chimney path.

**Restrictor level (Table 1):**

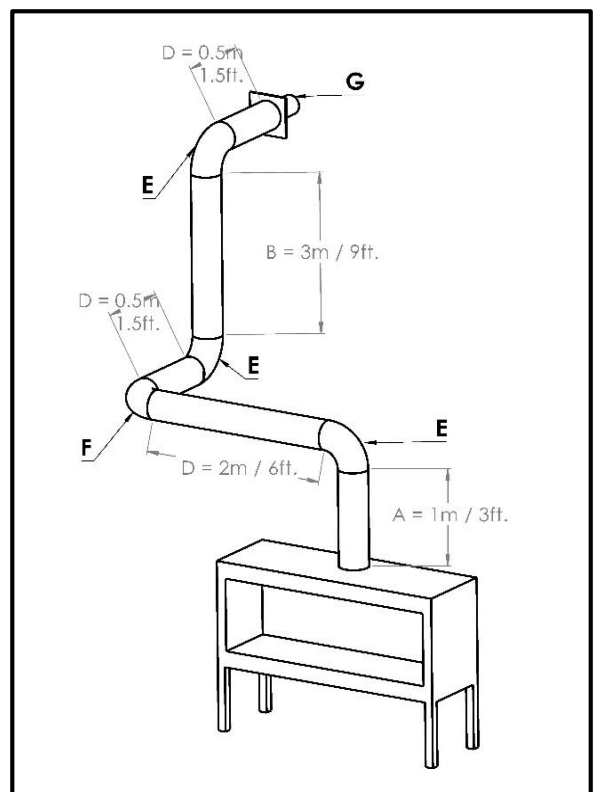
Y / X	X - Effective Horizontal Length													
	[m/feet]	0	1 / 3'	2 / 6'	3 / 10'	4 / 13'	5 / 17'	6 / 20'	7 / 23'	8 / 26'	9 / 30'	10 / 33'	11 / 36'	12 / 39'
1 / 3'1"	1	1	1	1	1	1	1	1	1	X	X	X	X	X
2 / 6'2"	3	2	2	1	1	1	1	1	1	X	X	X	X	X
3 / 9'10"	3	2	2	1	1	1	1	1	1	1	1	X	X	X
4 / 13'	2	2	2	1	1	1	1	1	1	1	1	1	1	X
5 / 16'5"	2	1	1	1	1	1	1	1	1	1	1	1	1	X
6 / 19'8"	2	1	1	1	1	1	1	1	1	1	1	1	X	X
7 / 23'	1	1	1	1	1	1	1	1	1	1	1	X	X	X
8 / 26'	1	1	1	1	1	1	1	1	1	1	X	X	X	X
9 / 30'	1	1	1	1	1	1	1	1	1	X	X	X	X	X
10 / 33'	1	1	1	1	1	1	1	1	1	X	X	X	X	X
11 / 36'	1	1	1	1	1	1	1	1	1	X	X	X	X	X
12 / 39'	1	1	1	1	1	1	1	1	X	X	X	X	X	X
13 / 43'	1	1	1	1	1	1	1	1	X	X	X	X	X	X
14 / 46'	1	1	1	1	1	1	1	X	X	X	X	X	X	X
15 / 50'	1	1	1	1	1	1	1	X	X	X	X	X	X	X

FLARE 45/45H- CHIMENY PATHS EXAMPLES

Parameters	Calculation
<b>X - Effective Horizontal Length</b>	<b>6.5m / 19.5ft.</b>
<b>Y - Effective Vertical Length</b>	<b>7.6m / 23ft.</b>
<b>Restrictor Level By Table 1:</b>	<b>Level 1</b>
<b>Y Axis Parameters</b>	
A – First Flue length (1 m / 3 ft. min)	1m / 3ft.
B – Vertical Flue length	5.5m / 16.5ft.
C – Roof Terminal = 0.5 m / 1.5 ft.	0.5m / 1.5ft.
H – Small Elbow (45°) = 0.3 m / 1 ft.	0.6m / 2ft.
<b>X Axis Parameters</b>	
D – Horizontal Flue length	4.5m / 13.5ft.
E – Elbow (90°) = 1 m / 3 ft.	2m / 6ft.
F – Elbow (lying 90°) = 2 m / 6 ft.	0
G – Wall Terminal = 1 m / 3 ft.	0



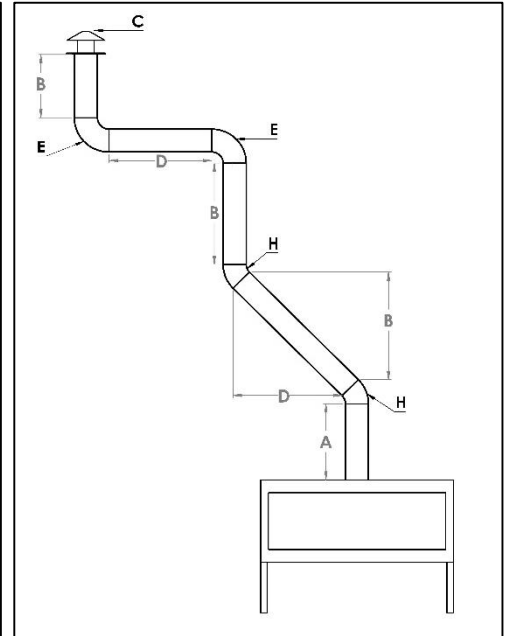
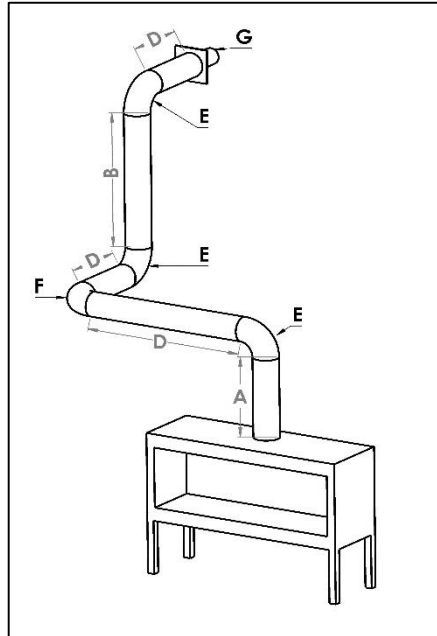
Parameters	Calculation
<b>X - Effective Horizontal Length</b>	<b>9m / 27ft.</b>
<b>Y - Effective Vertical Length</b>	<b>4m / 12ft.</b>
<b>Restrictor Level By Table 1:</b>	<b>Level 1</b>
<b>Y Axis Parameters</b>	
A – First Flue length (1 m / 3 ft. min)	1m / 3ft.
B – Vertical Flue length	3m / 9ft.
C – Roof Terminal = 0.5 m / 1.5 ft.	0
H – Small Elbow (45°) = 0.3 m / 1 ft.	0
<b>X Axis Parameters</b>	
D – Horizontal Flue length	3m / 9ft.
E – Elbow (90°) = 1 m / 3 ft.	3m / 9ft.
F – Elbow (lying 90°) = 2 m / 6 ft.	2m / 6ft.
G – Wall Terminal = 1 m / 3 ft.	1m / 3ft.



FLARE 50/50H

Suitable for all Flare 50/50H appliances: Flare Front 50/50H, Flare See-Through 50/50H, Flare Double Corner 50/50H, Flare Left Corner 50/50H, Flare Right Corner 50/50H, Flare Room Definer 50/50H.

Length
<b>X - Effective Horizontal Length</b>
<b>Y - Effective Vertical Length</b>
<b>Y Axis Parameters</b>
A – First Flue length (1 m / 3 ft. min)
B – Vertical Flue length
C – Roof Terminal = 0.5 m / 1.5 ft.
H – Small Elbow (45°) = 0.3 m / 1 ft.
<b>X Axis Parameters</b>
D – Horizontal Flue length
E – Elbow (90°) = 1 m / 3 ft.
F – Elbow (lying 90°) = 2 m / 6 ft.
G – Wall Terminal = 1 m / 3 ft.



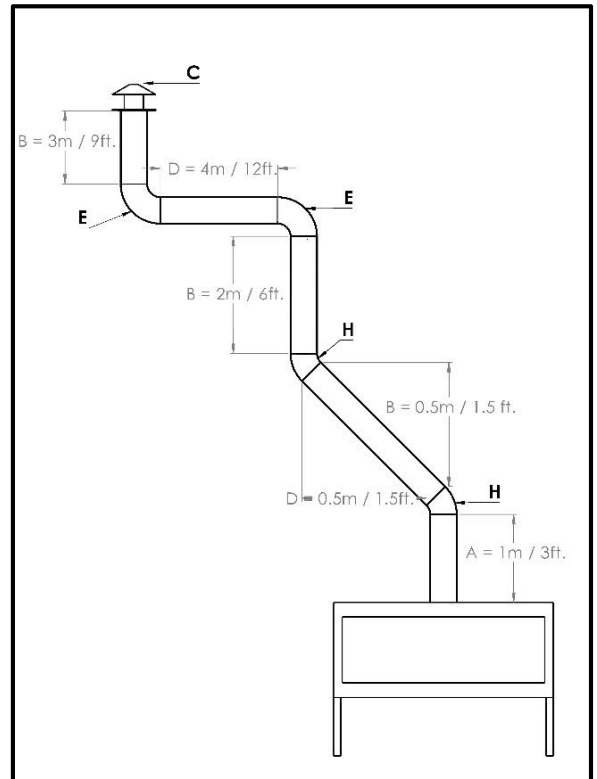
**Adjust Restrictor level using Table 1:**  
 1 – 6: adjust your restrictor level according to table.  
 X: Not Eligible chimney path! Plan a different chimney path.

**Restrictor level (Table 1):**

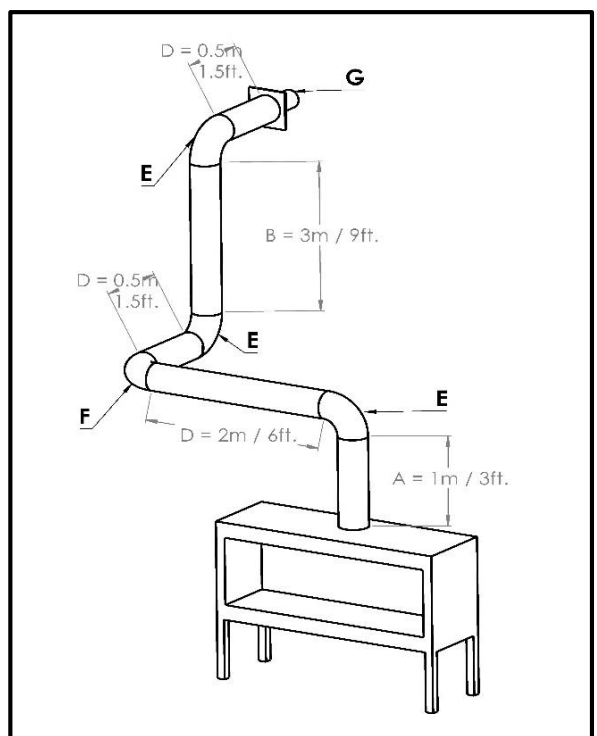
Y / X	X - Effective Horizontal Length													
	[m/feet]	0	1 / 3'	2 / 6'	3 / 10'	4 / 13'	5 / 17'	6 / 20'	7 / 23'	8 / 26'	9 / 30'	10 / 33'	11 / 36'	12 / 39'
Y - Effective Vertical Length	1 / 3'1"	2	2	2	2	1	1	1	1	1	1	1	1	x
	2 / 6'2"	3	3	2	2	2	2	1	1	1	1	1	1	1
	3 / 9'10"	3	3	2	2	2	2	1	1	1	1	1	1	1
	4 / 13'	3	3	2	2	2	1	1	1	1	1	1	1	1
	5 / 16'5"	3	3	2	2	2	1	1	1	1	1	1	1	1
	6 / 19'8"	2	2	2	2	2	1	1	1	1	1	1	1	1
	7 / 23'	2	2	2	2	1	1	1	1	1	1	1	1	1
	8 / 26'	2	2	2	2	1	1	1	1	1	1	1	1	1
	9 / 30'	2	2	2	1	1	1	1	1	1	1	1	1	1
	10 / 33'	1	1	1	1	1	1	1	1	1	1	x	x	x
	11 / 36'	1	1	1	1	1	1	1	1	1	1	x	x	x
	12 / 39'	1	1	1	1	1	1	1	1	1	1	x	x	x
	13 / 43'	1	1	1	1	1	1	1	1	1	x	x	x	x
	14 / 46'	1	1	1	1	1	1	1	1	1	x	x	x	x
	15 / 50'	1	1	1	1	1	1	1	1	1	x	x	x	x

FLARE 50/50H – CHIMENY PATHS EXAMPLES

Parameters	Calculation
<b>X - Effective Horizontal Length</b>	<b>6.5m / 19.5ft.</b>
<b>Y - Effective Vertical Length</b>	<b>7.6m / 23ft.</b>
<b>Restrictor Level By Table 1:</b>	<b>Level 1</b>
<b>Y Axis Parameters</b>	
A – First Flue length (1 m / 3 ft. min)	1m / 3ft.
B – Vertical Flue length	5.5m / 16.5ft.
C – Roof Terminal = 0.5 m / 1.5 ft.	0.5m / 1.5ft.
H – Small Elbow (45°) = 0.3 m / 1 ft.	0.6m / 2ft.
<b>X Axis Parameters</b>	
D – Horizontal Flue length	4.5m / 13.5ft.
E – Elbow (90°) = 1 m / 3 ft.	2m / 6ft.
F – Elbow (lying 90°) = 2 m / 6 ft.	0
G – Wall Terminal = 1 m / 3 ft.	0



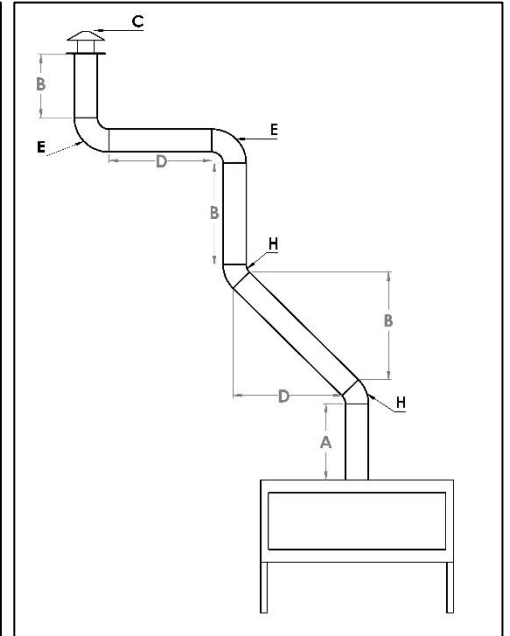
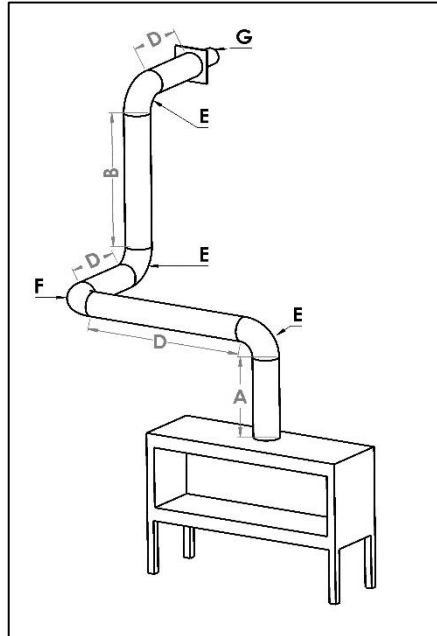
Parameters	Calculation
<b>X - Effective Horizontal Length</b>	<b>9m / 27ft.</b>
<b>Y - Effective Vertical Length</b>	<b>4m / 12ft.</b>
<b>Restrictor Level By Table 1:</b>	<b>Level 1</b>
<b>Y Axis Parameters</b>	
A – First Flue length (1 m / 3 ft. min)	1m / 3ft.
B – Vertical Flue length	3m / 9ft.
C – Roof Terminal = 0.5 m / 1.5 ft.	0
H – Small Elbow (45°) = 0.3 m / 1 ft.	0
<b>X Axis Parameters</b>	
D – Horizontal Flue length	3m / 9ft.
E – Elbow (90°) = 1 m / 3 ft.	3m / 9ft.
F – Elbow (lying 90°) = 2 m / 6 ft.	2m / 6ft.
G – Wall Terminal = 1 m / 3 ft.	1m / 3ft.



FLARE 60/60H

Suitable for all Flare 60/60H appliances: Flare Front 60/60H, Flare See-Through 60/60H, Flare Double Corner 60/60H, Flare Left Corner 60/60H, Flare Right Corner 60/60H, Flare Room Definer 60/60H.

Length	
X - Effective Horizontal Length	
Y - Effective Vertical Length	
Y Axis Parameters	
A	First Flue length (1 m / 3 ft. <b>min</b> )
B	Vertical Flue length
C	Roof Terminal = 0.5 m / 1.5 ft.
H	Small Elbow (45°) = 0.3 m / 1 ft.
X Axis Parameters	
D	Horizontal Flue length
E	Elbow (90°) = 1 m / 3 ft.
F	Elbow (lying 90°) = 2 m / 6 ft.
G	Wall Terminal = 1 m / 3 ft.



**Adjust Restrictor level using Table 1:**  
 1 – 6: adjust your restrictor level according to table.  
 X: Not Eligible chimney path! Plan a different chimney path.

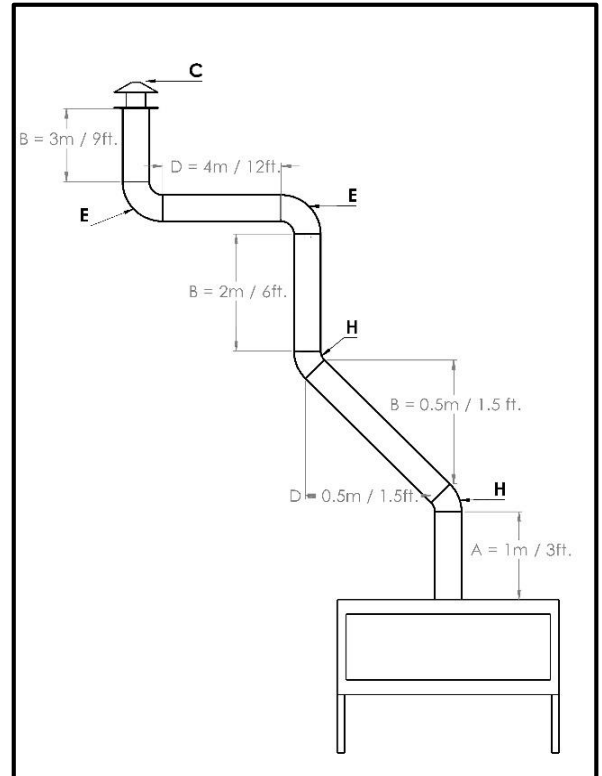
**Restrictor level (Table 1):**

Y / X	X - Effective Horizontal Length													
	[m/feet]	0	1 / 3'	2 / 6'	3 / 10'	4 / 13'	5 / 17'	6 / 20'	7 / 23'	8 / 26'	9 / 30'	10 / 33'	11 / 36'	12 / 39'
Y - Effective Vertical Length	1 / 3'1"	2	2	1	1	1	1	1	1	1	1	1	x	x
	2 / 6'2"	3	3	2	1	1	1	1	1	1	1	1	1	1
	3 / 9'10"	2	2	2	1	1	1	1	1	1	1	1	1	1
	4 / 13'	2	2	2	2	1	1	1	1	1	1	1	1	1
	5 / 16'5"	2	2	2	1	1	1	1	1	1	1	1	1	1
	6 / 19'8"	2	2	1	1	1	1	1	1	1	1	1	1	1
	7 / 23'	2	2	1	1	1	1	1	1	1	1	1	1	1
	8 / 26'	1	1	1	1	1	1	1	1	1	1	1	1	1
	9 / 30'	1	1	1	1	1	1	1	1	1	1	1	1	1
	10 / 33'	1	1	1	1	1	1	1	1	1	1	x	x	x
	11 / 36'	1	1	1	1	1	1	1	1	1	1	x	x	x
	12 / 39'	1	1	1	1	1	1	1	1	1	1	x	x	x
	13 / 43'	1	1	1	1	1	1	1	1	1	x	x	x	x
	14 / 46'	1	1	1	1	1	1	1	1	1	x	x	x	x
	15 / 50'	1	1	1	1	1	1	1	1	1	x	x	x	x

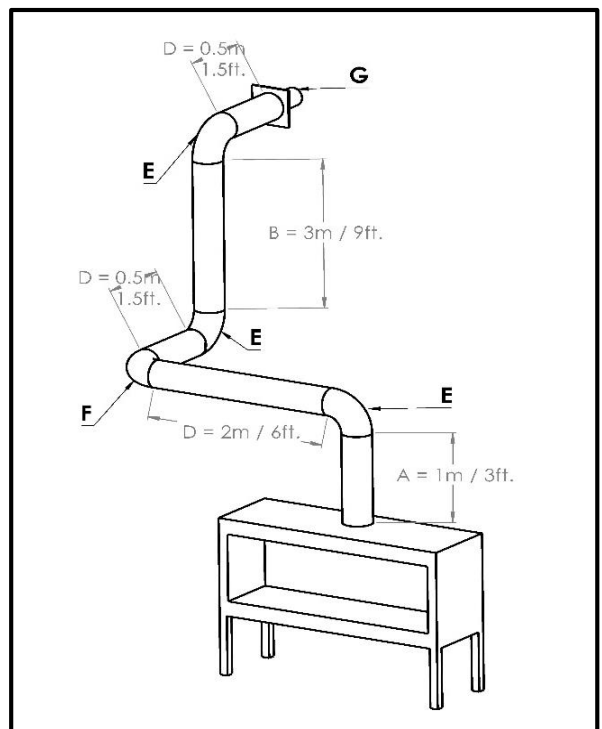


FLARE 60/60H- CHIMENY PATHS EXAMPLES

Parameters	Calculation
<b>X - Effective Horizontal Length</b>	<b>6.5m / 19.5ft.</b>
<b>Y - Effective Vertical Length</b>	<b>7.6m / 23ft.</b>
<b>Restrictor Level By Table 1:</b>	<b>Level 1</b>
<b>Y Axis Parameters</b>	
A – First Flue length (1 m / 3 ft. min)	1m / 3ft.
B – Vertical Flue length	5.5m / 16.5ft.
C – Roof Terminal = 0.5 m / 1.5 ft.	0.5m / 1.5ft.
H – Small Elbow (45°) = 0.3 m / 1 ft.	0.6m / 2ft.
<b>X Axis Parameters</b>	
D – Horizontal Flue length	4.5m / 13.5ft.
E – Elbow (90°) = 1 m / 3 ft.	2m / 6ft.
F – Elbow (lying 90°) = 2 m / 6 ft.	0
G – Wall Terminal = 1 m / 3 ft.	0



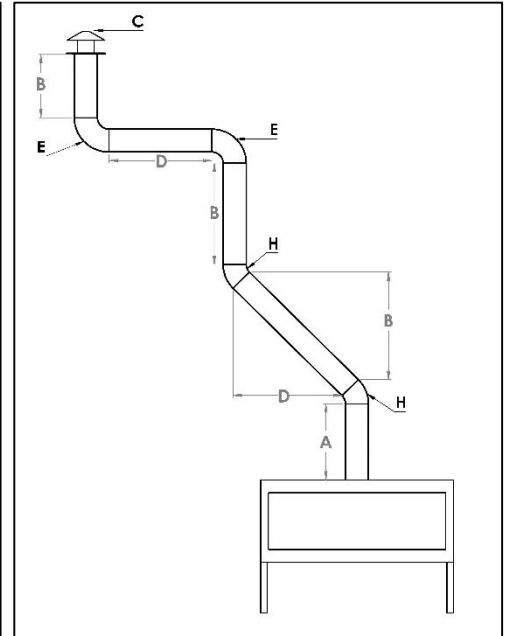
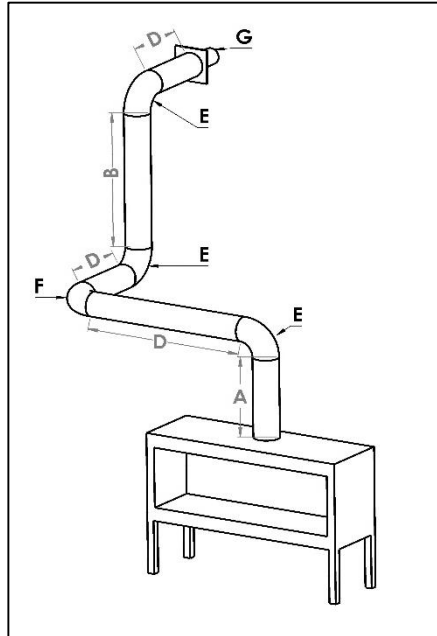
Parameters	Calculation
<b>X - Effective Horizontal Length</b>	<b>9m / 27ft.</b>
<b>Y - Effective Vertical Length</b>	<b>4m / 12ft.</b>
<b>Restrictor Level By Table 1:</b>	<b>Level 1</b>
<b>Y Axis Parameters</b>	
A – First Flue length (1 m / 3 ft. min)	1m / 3ft.
B – Vertical Flue length	3m / 9ft.
C – Roof Terminal = 0.5 m / 1.5 ft.	0
H – Small Elbow (45°) = 0.3 m / 1 ft.	0
<b>X Axis Parameters</b>	
D – Horizontal Flue length	3m / 9ft.
E – Elbow (90°) = 1 m / 3 ft.	3m / 9ft.
F – Elbow (lying 90°) = 2 m / 6 ft.	2m / 6ft.
G – Wall Terminal = 1 m / 3 ft.	1m / 3ft.



FLARE 70/70H

Suitable for all Flare 70/70H appliances: Flare Front 70/70H, Flare See-Through 70/70H, Flare Double Corner 70/70H, Flare Left Corner 70/70H, Flare Right Corner 70/70H, Flare Room Definer 70/70H.

<b>Length</b>
<b>X - Effective Horizontal Length</b>
<b>Y - Effective Vertical Length</b>
<b>Y Axis Parameters</b>
A – First Flue length (1 m / 3 ft. min)
B – Vertical Flue length
C – Roof Terminal = 0.5 m / 1.5 ft.
H – Small Elbow (45°) = 0.3 m / 1 ft.
<b>X Axis Parameters</b>
D – Horizontal Flue length
E – Elbow (90°) = 1 m / 3 ft.
F – Elbow (lying 90°) = 2 m / 6 ft.
G – Wall Terminal = 1 m / 3 ft.



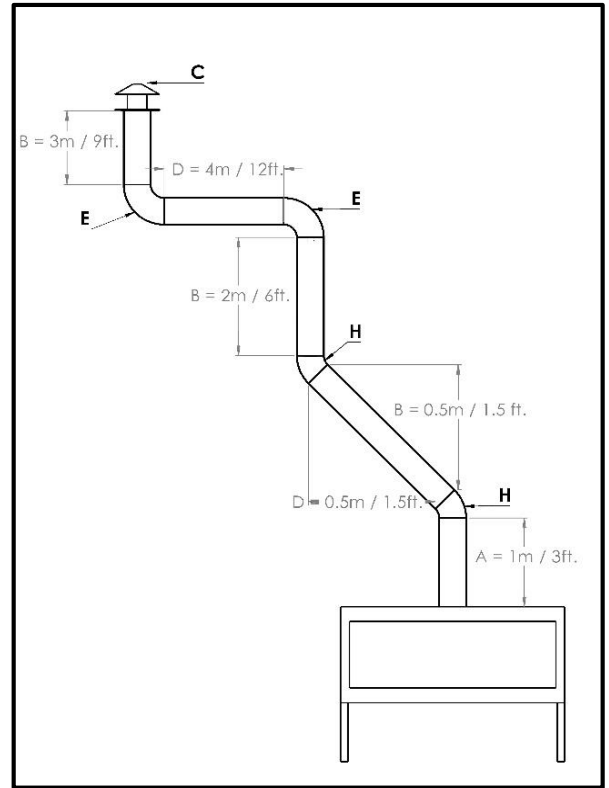
**Adjust Restrictor level using Table 1:** 1  
 – 6: adjust your restrictor level according to table. X:  
 Not Eligible chimney path! Plan a different chimney path.

**Restrictor level (Table 1):**

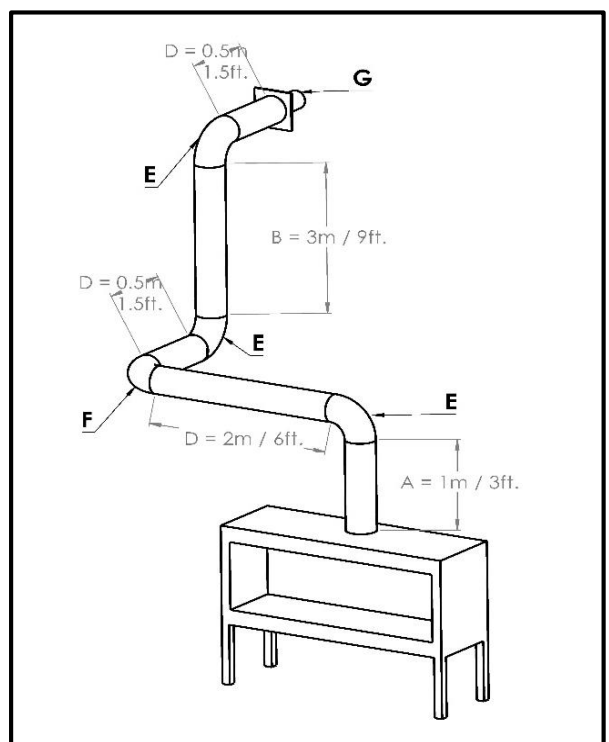
Y / X	X - Effective Horizontal Length													
	[m/feet]	0	1 / 3'	2 / 6'	3 / 10'	4 / 13'	5 / 17'	6 / 20'	7 / 23'	8 / 26'	9 / 30'	10 / 33'	11 / 36'	12 / 39'
Y - Effective Vertical Length	1 / 3'1"	1	1	1	1	1	1	1	1	1	x	x	x	x
	2 / 6'2"	2	2	1	1	1	1	1	1	1	1	x	x	x
	3 / 9'10"	3	2	1	1	1	1	1	1	1	1	1	1	x
	4 / 13'	3	2	1	1	1	1	1	1	1	1	1	1	x
	5 / 16'5"	2	2	1	1	1	1	1	1	1	1	1	1	1
	6 / 19'8"	2	2	1	1	1	1	1	1	1	1	1	1	x
	7 / 23'	2	1	1	1	1	1	1	1	1	1	1	x	x
	8 / 26'	1	1	1	1	1	1	1	1	1	1	x	x	x
	9 / 30'	1	1	1	1	1	1	1	1	1	x	x	x	x
	10 / 33'	1	1	1	1	1	1	1	1	x	x	x	x	x
	11 / 36'	1	1	1	1	1	1	1	1	x	x	x	x	x
	12 / 39'	1	1	1	1	1	1	1	x	x	x	x	x	x
	13 / 43'	1	1	1	1	1	1	1	x	x	x	x	x	x
	14 / 46'	1	1	1	1	1	1	1	x	x	x	x	x	x
	15 / 50'	1	1	1	1	1	1	1	x	x	x	x	x	x

FLARE 70/70H – CHIMENY PATHS EXAMPLES

Parameters	Calculation
<b>X - Effective Horizontal Length</b>	<b>6.5m / 19.5ft.</b>
<b>Y - Effective Vertical Length</b>	<b>7.6m / 23ft.</b>
<b>Restrictor Level By Table 1:</b>	<b>Level 1</b>
<b>Y Axis Parameters</b>	
A – First Flue length (1 m / 3 ft. min)	1m / 3ft.
B – Vertical Flue length	5.5m / 16.5ft.
C – Roof Terminal = 0.5 m / 1.5 ft.	0.5m / 1.5ft.
H – Small Elbow (45°) = 0.3 m / 1 ft.	0.6m / 2ft.
<b>X Axis Parameters</b>	
D – Horizontal Flue length	4.5m / 13.5ft.
E – Elbow (90°) = 1 m / 3 ft.	2m / 6ft.
F – Elbow (lying 90°) = 2 m / 6 ft.	0
G – Wall Terminal = 1 m / 3 ft.	0



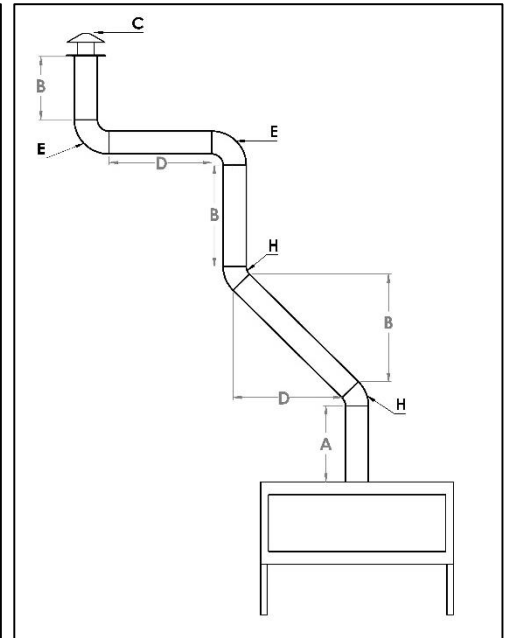
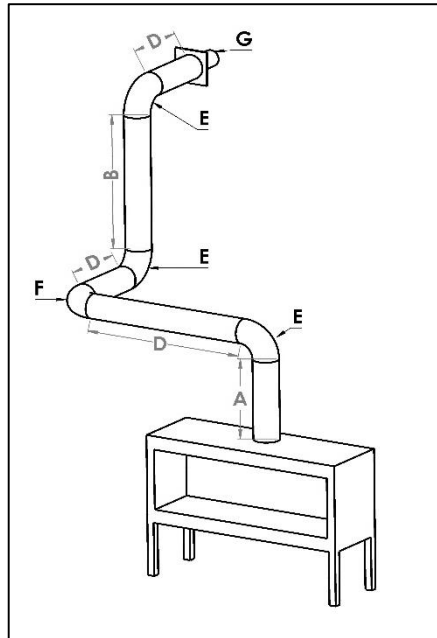
Parameters	Calculation
<b>X - Effective Horizontal Length</b>	<b>9m / 27ft.</b>
<b>Y - Effective Vertical Length</b>	<b>4m / 12ft.</b>
<b>Restrictor Level By Table 1:</b>	<b>Level 1</b>
<b>Y Axis Parameters</b>	
A – First Flue length (1 m / 3 ft. min)	1m / 3ft.
B – Vertical Flue length	3m / 9ft.
C – Roof Terminal = 0.5 m / 1.5 ft.	0
H – Small Elbow (45°) = 0.3 m / 1 ft.	0
<b>X Axis Parameters</b>	
D – Horizontal Flue length	3m / 9ft.
E – Elbow (90°) = 1 m / 3 ft.	3m / 9ft.
F – Elbow (lying 90°) = 2 m / 6 ft.	2m / 6ft.
G – Wall Terminal = 1 m / 3 ft.	1m / 3ft.



FLARE 80/80H

Suitable for all Flare 80/80H appliances: Flare Front 80/80H, Flare See-Through 80/80H, Flare Double Corner 80/80H, Flare Left Corner 80/80H, Flare Right Corner 80/80H, Flare Room Definer 80/80H.

Length
X - Effective Horizontal Length
Y - Effective Vertical Length
Y Axis Parameters
A – First Flue length (1 m / 3 ft. min)
B – Vertical Flue length
C – Roof Terminal = 0.5 m / 1.5 ft.
H – Small Elbow (45°) = 0.3 m / 1 ft.
X Axis Parameters
D – Horizontal Flue length
E – Elbow (90°) = 1 m / 3 ft.
F – Elbow (lying 90°) = 2 m / 6 ft.
G – Wall Terminal = 1 m / 3 ft.



**Adjust Restrictor level using Table 1:**

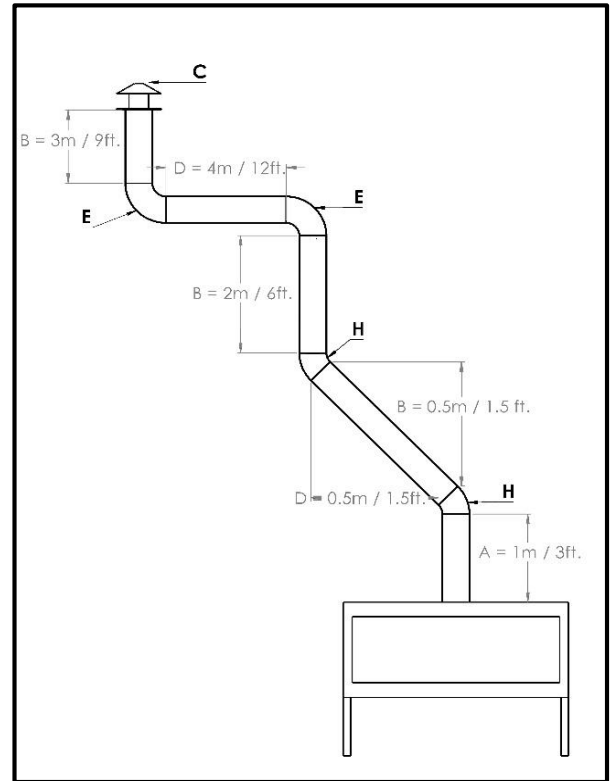
1 – 6: adjust your restrictor level according to table.  
 X: Not Eligible chimney path! Plan a different chimney path.

**Restrictor level (Table 1):**

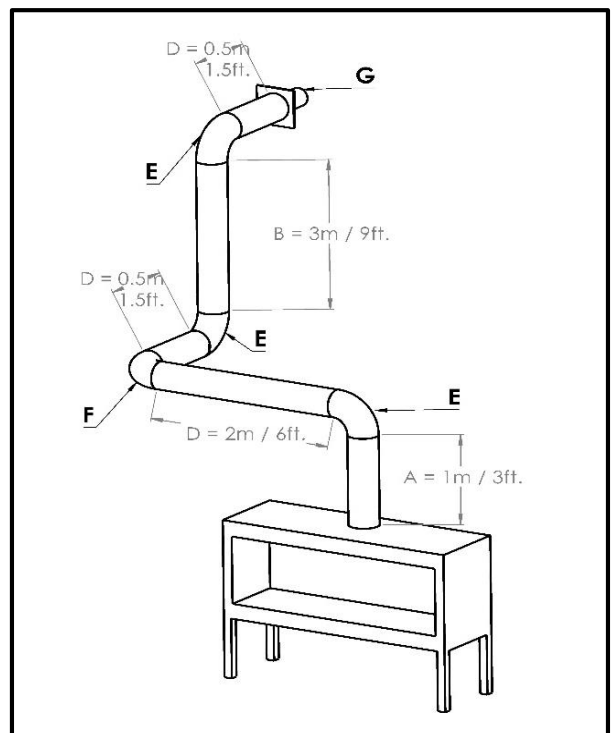
Y / X	X - Effective Horizontal Length													
	[m/feet]	0	1 / 3'	2 / 6'	3 / 10'	4 / 13'	5 / 17'	6 / 20'	7 / 23'	8 / 26'	9 / 30'	10 / 33'	11 / 36'	12 / 39'
Y - Effective Vertical Length	1 / 3'1"	X	X	X	X	X	X	X	X	X	X	X	X	X
	2 / 6'2"	2	1	1	1	1	1	X	X	X	X	X	X	X
	3 / 9'10"	2	2	1	1	1	1	1	1	X	X	X	X	X
	4 / 13'	2	2	1	1	1	1	1	1	1	X	X	X	X
	5 / 16'5"	2	1	1	1	1	1	1	1	1	X	X	X	X
	6 / 19'8"	2	1	1	1	1	1	1	1	1	X	X	X	X
	7 / 23'	1	1	1	1	1	1	1	1	1	1	X	X	X
	8 / 26'	1	1	1	1	1	1	1	1	1	1	1	X	X
	9 / 30'	1	1	1	1	1	1	1	1	1	1	1	X	X
	10 / 33'	1	1	1	1	1	1	1	1	1	X	X	X	X
	11 / 36'	1	1	1	1	1	1	1	1	X	X	X	X	X
	12 / 39'	1	1	1	1	1	1	1	X	X	X	X	X	X
	13 / 43'	1	1	1	1	1	1	1	X	X	X	X	X	X
	14 / 46'	1	1	1	1	1	1	X	X	X	X	X	X	X
	15 / 50'	1	1	1	1	1	1	X	X	X	X	X	X	X

FLARE 80/80H – CHIMENY PATHS EXAMPLES

Parameters	Calculation
<b>X - Effective Horizontal Length</b>	<b>6.5m / 19.5ft.</b>
<b>Y - Effective Vertical Length</b>	<b>7.6m / 23ft.</b>
<b>Restrictor Level By Table 1:</b>	<b>Level 1</b>
<b>Y Axis Parameters</b>	
A – First Flue length (1 m / 3 ft. <b>min</b> )	1m / 3ft.
B – Vertical Flue length	5.5m / 16.5ft.
C – Roof Terminal = 0.5 m / 1.5 ft.	0.5m / 1.5ft.
H – Small Elbow (45°) = 0.3 m / 1 ft.	0.6m / 2ft.
<b>X Axis Parameters</b>	
D – Horizontal Flue length	4.5m / 13.5ft.
E – Elbow (90°) = 1 m / 3 ft.	2m / 6ft.
F – Elbow (lying 90°) = 2 m / 6 ft.	0
G – Wall Terminal = 1 m / 3 ft.	0



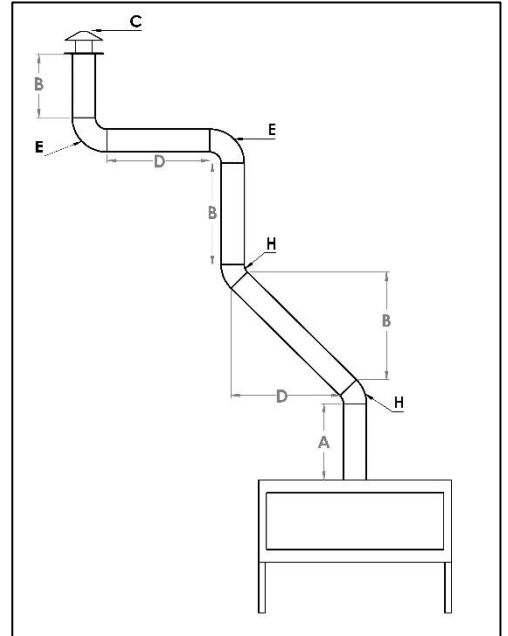
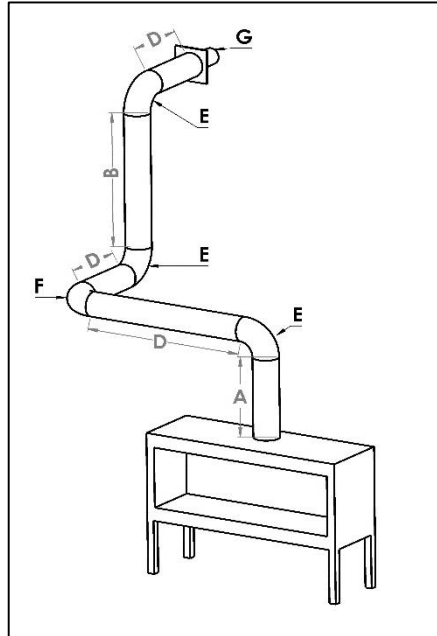
Parameters	Calculation
<b>X - Effective Horizontal Length</b>	<b>9m / 27ft.</b>
<b>Y - Effective Vertical Length</b>	<b>4m / 12ft.</b>
<b>Restrictor Level By Table 1:</b>	<b>Not Eligible</b>
<b>Y Axis Parameters</b>	
A – First Flue length (1 m / 3 ft. <b>min</b> )	1m / 3ft.
B – Vertical Flue length	3m / 9ft.
C – Roof Terminal = 0.5 m / 1.5 ft.	0
H – Small Elbow (45°) = 0.3 m / 1 ft.	0
<b>X Axis Parameters</b>	
D – Horizontal Flue length	3m / 9ft.
E – Elbow (90°) = 1 m / 3 ft.	3m / 9ft.
F – Elbow (lying 90°) = 2 m / 6 ft.	2m / 6ft.
G – Wall Terminal = 1 m / 3 ft.	1m / 3ft.



FLARE 100/100H

Suitable for all Flare 100/100H appliances: Flare Front 100/100H, Flare See-Through 100/100H, Flare Double Corner 100/100H, Flare Left Corner 100/100H, Flare Right Corner 100/100H, Flare Room Definer 100/100H.

Length
<b>X - Effective Horizontal Length</b>
<b>Y - Effective Vertical Length</b>
<b>Y Axis Parameters</b>
A – First Flue length (1 m / 3 ft. min)
B – Vertical Flue length
C – Roof Terminal = 0.5 m / 1.5 ft.
H – Small Elbow (45°) = 0.3 m / 1 ft.
<b>X Axis Parameters</b>
D – Horizontal Flue length
E – Elbow (90°) = 1 m / 3 ft.
F – Elbow (lying 90°) = 2 m / 6 ft.
G – Wall Terminal = 1 m / 3 ft.



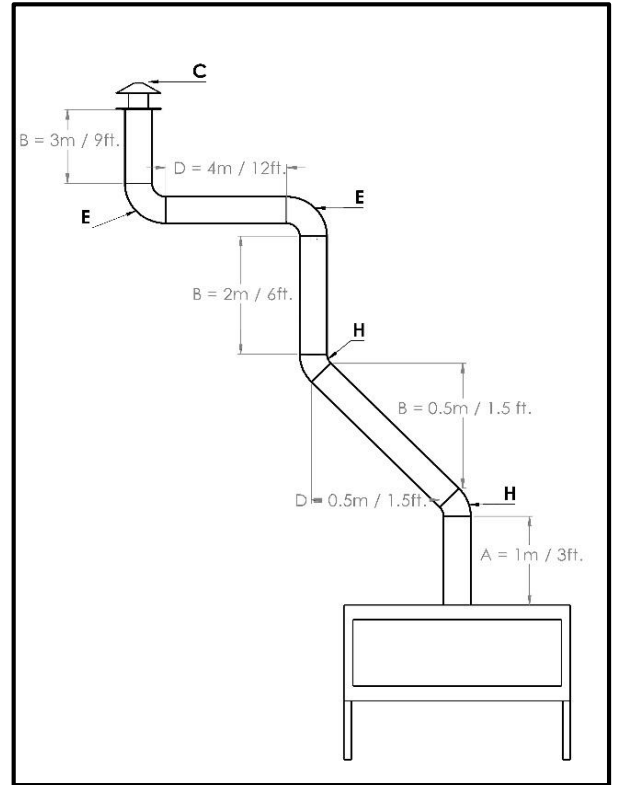
**Adjust Restrictor level using Table 1:**  
 1 – 6: adjust your restrictor level according to table.  
 X: Not Eligible chimney path! Plan a different chimney path.

**Restrictor level (Table 1):**

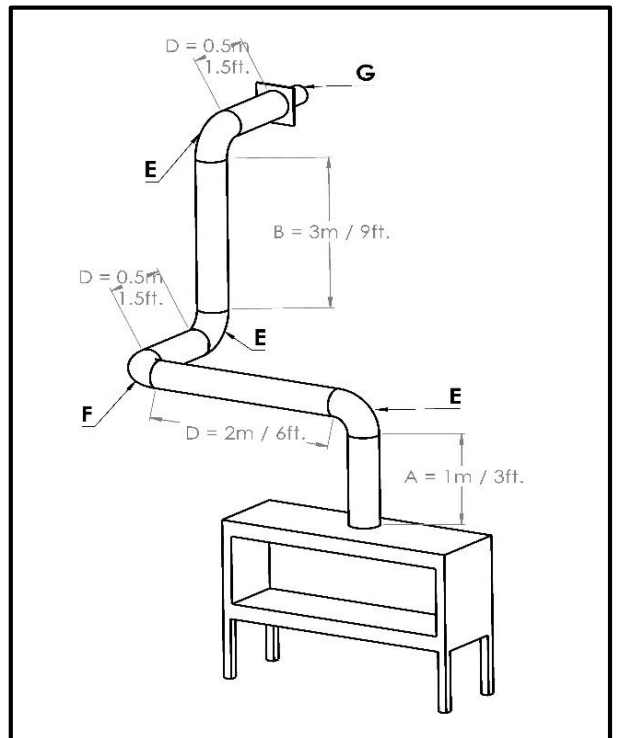
Y / X	X - Effective Horizontal Length													
	[m/feet]	0	1 / 3'	2 / 6'	3 / 10'	4 / 13'	5 / 17'	6 / 20'	7 / 23'	8 / 26'	9 / 30'	10 / 33'	11 / 36'	12 / 39'
Y - Effective Vertical Length	1 / 3'1"	x	x	x	x	x	x	x	x	x	x	x	x	x
	2 / 6'2"	2	1	1	1	1	1	x	x	x	x	x	x	x
	3 / 9'10"	2	2	1	1	1	1	1	1	x	x	x	x	x
	4 / 13'	2	2	1	1	1	1	1	1	1	x	x	x	x
	5 / 16'5"	2	1	1	1	1	1	1	1	1	x	x	x	x
	6 / 19'8"	2	1	1	1	1	1	1	1	1	x	x	x	x
	7 / 23'	1	1	1	1	1	1	1	1	1	1	x	x	x
	8 / 26'	1	1	1	1	1	1	1	1	1	1	1	x	x
	9 / 30'	1	1	1	1	1	1	1	1	1	1	1	x	x
	10 / 33'	1	1	1	1	1	1	1	1	1	1	x	x	x
	11 / 36'	1	1	1	1	1	1	1	1	1	x	x	x	x
	12 / 39'	1	1	1	1	1	1	1	1	1	x	x	x	x
	13 / 43'	1	1	1	1	1	1	1	x	x	x	x	x	x
	14 / 46'	1	1	1	1	1	1	x	x	x	x	x	x	x
	15 / 50'	1	1	1	1	1	1	x	x	x	x	x	x	x

FLARE 100/100H – CHIMENY PATHS EXAMPLES

Parameters	Calculation
<b>X - Effective Horizontal Length</b>	<b>6.5m / 19.5ft.</b>
<b>Y - Effective Vertical Length</b>	<b>7.6m / 23ft.</b>
<b>Restrictor Level By Table 1:</b>	<b>Level 1</b>
<b>Y Axis Parameters</b>	
A – First Flue length (1 m / 3 ft. min)	1m / 3ft.
B – Vertical Flue length	5.5m / 16.5ft.
C – Roof Terminal = 0.5 m / 1.5 ft.	0.5m / 1.5ft.
H – Small Elbow (45°) = 0.3 m / 1 ft.	0.6m / 2ft.
<b>X Axis Parameters</b>	
D – Horizontal Flue length	4.5m / 13.5ft.
E – Elbow (90°) = 1 m / 3 ft.	2m / 6ft.
F – Elbow (lying 90°) = 2 m / 6 ft.	0
G – Wall Terminal = 1 m / 3 ft.	0



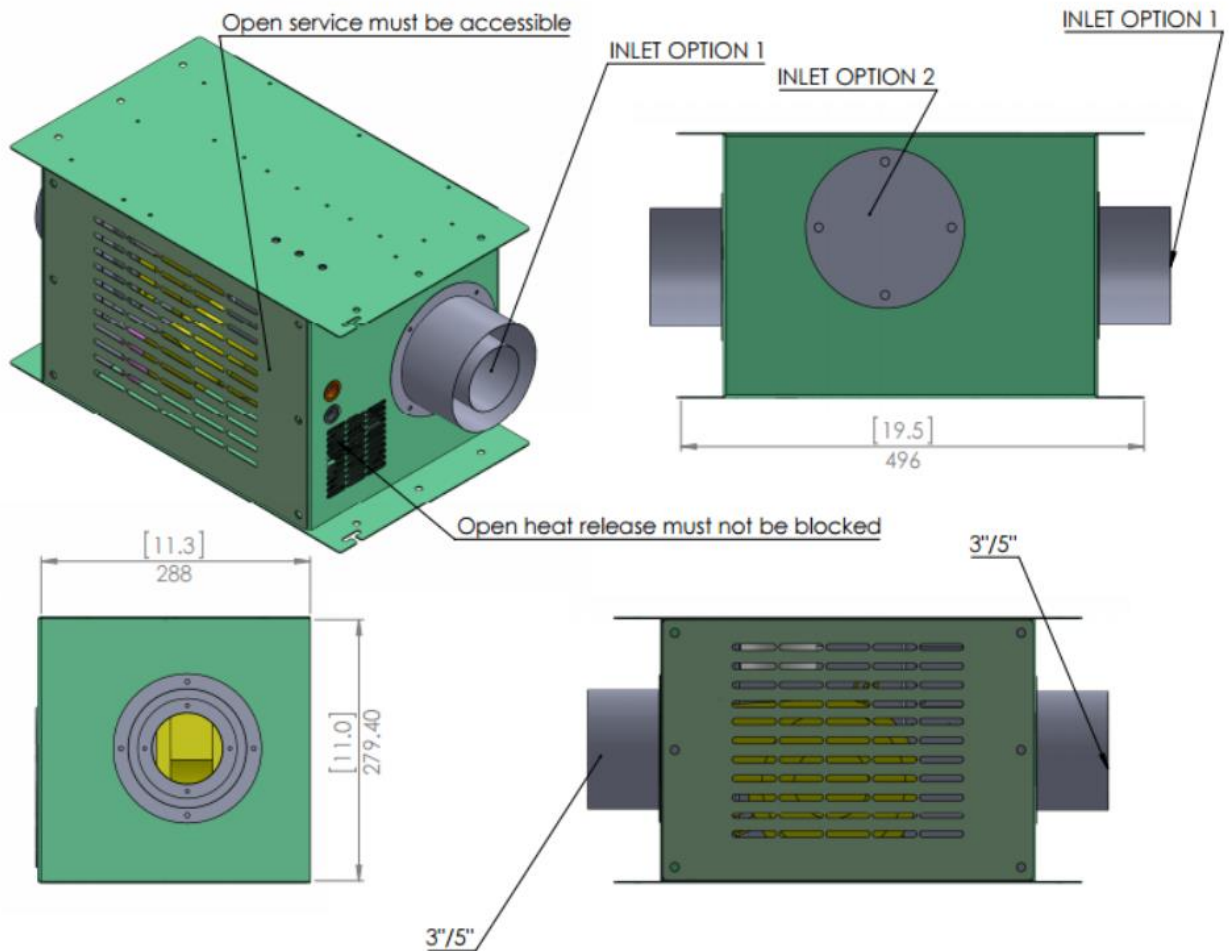
Parameters	Calculation
<b>X - Effective Horizontal Length</b>	<b>9m / 27ft.</b>
<b>Y - Effective Vertical Length</b>	<b>4m / 12ft.</b>
<b>Restrictor Level By Table 1:</b>	<b>Not Eligible</b>
<b>Y Axis Parameters</b>	
A – First Flue length (1 m / 3 ft. min)	1m / 3ft.
B – Vertical Flue length	3m / 9ft.
C – Roof Terminal = 0.5 m / 1.5 ft.	0
H – Small Elbow (45°) = 0.3 m / 1 ft.	0
<b>X Axis Parameters</b>	
D – Horizontal Flue length	3m / 9ft.
E – Elbow (90°) = 1 m / 3 ft.	3m / 9ft.
F – Elbow (lying 90°) = 2 m / 6 ft.	2m / 6ft.
G – Wall Terminal = 1 m / 3 ft.	1m / 3ft.



**POWER VENTING**

In an event of a vent route that is unsupported based on the gravity vent tables above, Flare Fireplaces can be used using power vent solution. The power vent solutions allows to operate the fireplace in vent conditions that would not be possible without the motor unit.

The system is designed and tested with Duravent 3x5 gasket direct vent pipes. It is critical for the safety and operation of the system to use the Duravent 3x5 gasket system.



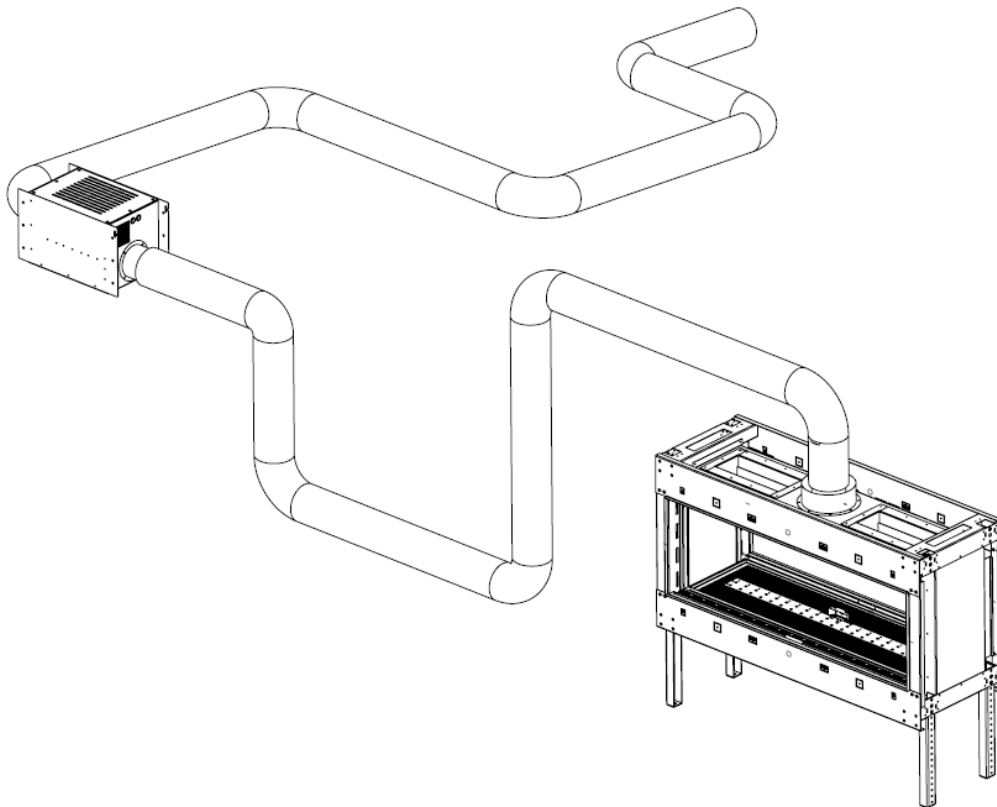
To calculate the vent runs use the following tables and instructions . Please note that power vent runs are model( burner ) specific . Use the tables below to calculate the restrictor setting.



**Instructuins:**

When using the power vent system there is no meaning to the direction of the pipe ( up , down , horizontal or vertical ) as the system is sealed and vacumed . The vent length and restrictor level should be set based on number of feet , number of elbows and the vent termination .

**Clearance** - Clearances between the vent pipe and combustibile materials must be maintained at 3” inches top and 1” for side and below. Maintain the same clearance from the power vent box to any combustibile materials.

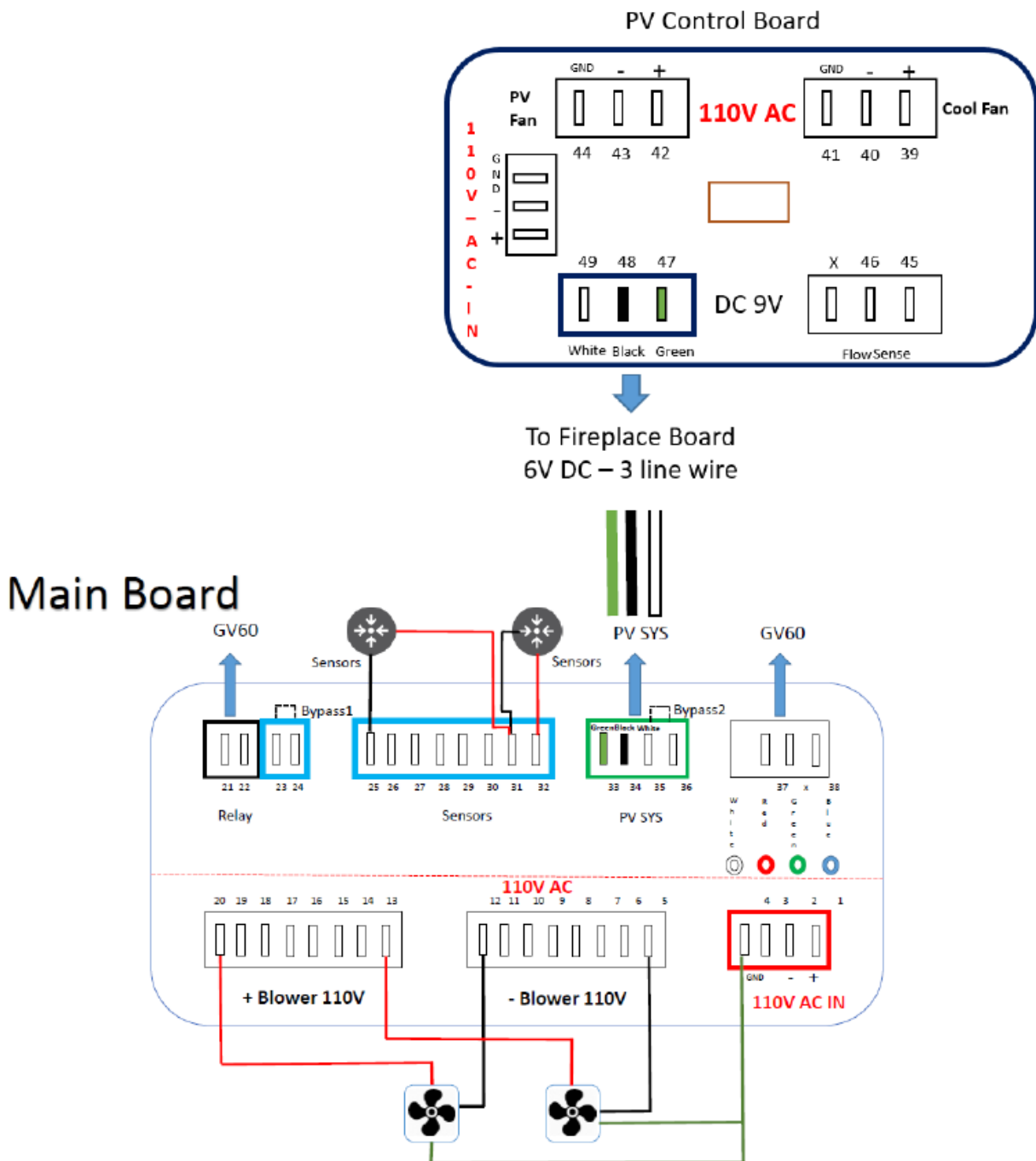


**Power vernt unit must be installed by a qualified installer in accordance with these instructions.**

**CAUTION! Failure to install, operate, and maintain the power venting system in accordance with manufacturer's instructions will result in conditions which may produce bodily injury and/or property damage**

**Electrical connection to the PV system**

- The PV system will need to be connected to the AC 110V 15A power outlet.
- The PV system is connected to the Fireplace control system with a low voltage (6V) 3 wire cable.
  - Cable to be used is 16 AWG-3 copper wire ( **not solid wire**).
  - Connect low voltage cable and match to colors on the terminal between boards.( White to White, Black to Black & Green to Green)
  - Fans and sensors on the main board are optional and will be included on double glass systems.



**Venting**

- A minimum length of venting is required between the appliance . Do not install power vent system if the minimum length is below 12ft.

**Minimum Run when using power vent – 12 ft ( phisichal length not calculated)**

**90 Degree elbow = 6 Ft**

**45 Dgree elbow = 3 Ft**

**Vent termination = 3 Ft**

**Flare-25 ( Flare-FF,Flare-RC,Flare-LC,Flare-DC,Flare-RD)**

Run Length	Restrictor Setting	Burner Type	Unit Type
12--28	5	A	FlareH 25
28--40	4	A	FlareH 25
40--52	4	A	FlareH 25
52--64	3	A	FlareH 25
64--76	3	A	FlareH 25
76--88	2	A	FlareH 25
88--100	2	A	FlareH 25

**Flare-30 ( Flare-FF,Flare-RC,Flare-LC,Flare-DC,Flare-RD)**

Run Length	Restrictor Setting	Burner Type	Unit Type
12--28	5	B	FlareH 30
28--40	4	B	FlareH 30
40--52	3	B	FlareH 30
52--64	3	B	FlareH 30
64--76	3	B	FlareH 30
76--88	2	B	FlareH 30
88--100	2	B	FlareH 30

**Flare-45 ( Flare-FF,Flare-RC,Flare-LC,Flare-DC,Flare-RD)**

Run Length	Restrictor Setting	Burner Type	Unit Type
12--28	5	C	FlareH 45
28--40	4	C	FlareH 45
40--52	3	C	FlareH 45
52--64	3	C	FlareH 45
64--76	3	C	FlareH 45
76--88	2	C	FlareH 45
88--100	2	C	FlareH 45

**Flare-50 ( Flare-FF,Flare-RC,Flare-LC,Flare-DC,Flare-RD)**

Run Length	Restrictor Setting	Burner Type	Unit Type
12--28	4	D	FlareH 50
28--40	4	D	FlareH 50
40--52	3	D	FlareH 50
52--64	3	D	FlareH 50
64--76	3	D	FlareH 50
76--88	2	D	FlareH 50
88--100	2	D	FlareH 50

**Flare-60 ( Flare-FF,Flare-RC,Flare-LC,Flare-DC,Flare-RD)**

Run Length	Restrictor Setting	Burner Type	Unit Type
12--28	4	E	FlareH 60
28--40	4	E	FlareH 60
40--52	4	E	FlareH 60
52--64	3	E	FlareH 60
64--76	3	E	FlareH 60
76--88	2	E	FlareH 60
88--100	1	E	FlareH 60

**Flare-70 ( Flare-FF,Flare-RC,Flare-LC,Flare-DC,Flare-RD)**

Run Length	Restrictor Setting	Burner Type	Unit Type
12--28	4	F	FlareH 70
28--40	4	F	FlareH 70
40--52	3	F	FlareH 70
52--64	3	F	FlareH 70
64--76	2	F	FlareH 70
76--88	1	F	FlareH 70
88--100	1	F	FlareH 70

**Flare-80 ( Flare-FF,Flare-RC,Flare-LC,Flare-DC,Flare-RD)**

Run Length	Restrictor Setting	Burner Type	Unit Type
12--28	4	G	FlareH 80
28--40	4	G	FlareH 80
40--52	3	G	FlareH 80
52--64	3	G	FlareH 80
64--76	2	G	FlareH 80
76--88	1	G	FlareH 80
88--100	1	G	FlareH 80

**Flare-100 ( Flare-FF,Flare-RC,Flare-LC,Flare-DC,Flare-RD)**

Run Length	Restrictor Setting	Burner Type	Unit Type
12--28	3	H	Flare 100
28--40	3	H	Flare 100
40--52	2	H	Flare 100
52--64	1	H	Flare 100
64--76	1	H	Flare 100
76--88	1	H	Flare 100
88--100	1	H	Flare 100

**GAS INSTALLATION**

**GENERAL**

<b>WARNING! Risk of Fire or Explosion!</b>
All gas handling and installation should be performed by qualified service technician or installer.
Gas build-up during line purge could ignite. Ensure adequate ventilation. Make sure there are no ignition sources/sparks or open flames.
Do not change the gas valve setting! The fireplace gas valve has been preset at the factory
Installing an external manual gas valve before connection to the fireplace is a must.
Make sure to check for gas leaks before lighting the fireplace for the first time. When checking for leaks do not use open flame.

This appliance and its individual shut off valve must be disconnected from gas supply piping system during any pressure testing of that system at test pressures in excess of ½ psig (3.5 kPa).

This appliance must be isolated from the gas supply piping system by closing its individual manual shut off valve during any pressure testing of the gas supply piping system at test pressures equal to or less than 1/2 psig (3.5 kPa).

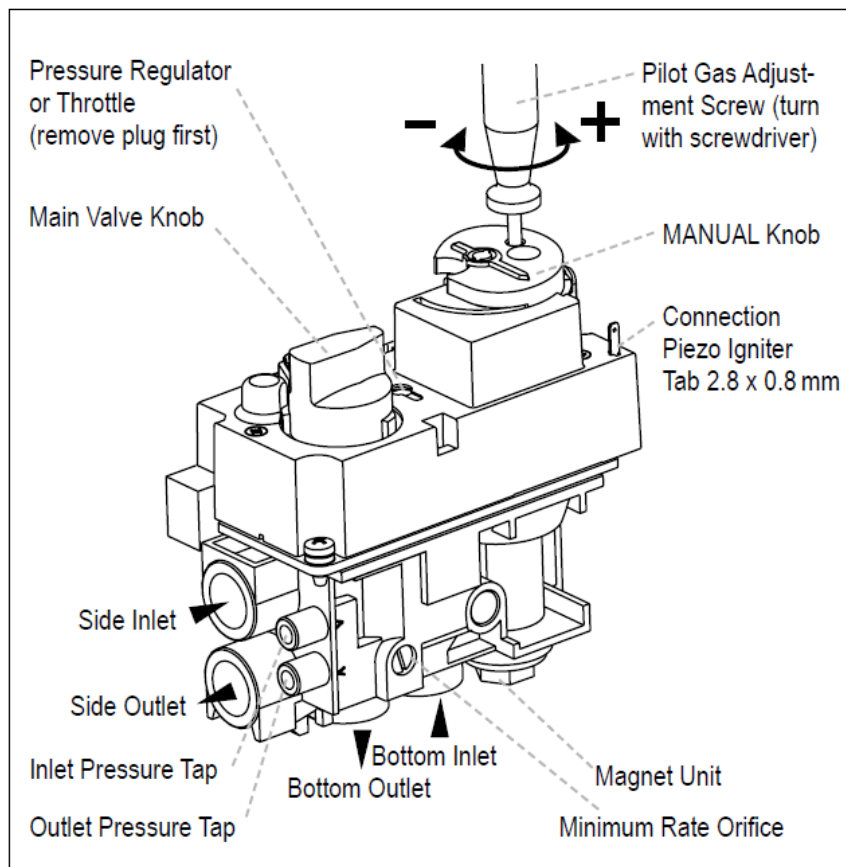
- Move the appliance into position and secure it to the wall using the back or side mount.
- Install a manual gas valve before the connection to the fireplace appliance automatic valve.
- Connect the gas line to the fireplace. The appliance is designed to accept a 1/2" (13mm) gas supply.
- Connect the gas supply in accordance to local codes, CAN/CSA-B149.1 in Canada or to the current National Fuel Gas Code, ANSI Z223.1 / NFPA 54 in the United States.
- Check for gas leaks using non-corrosive commercially available leak-check solution before operating the gas appliance.
- Measure and document gas pressure. Inlet \_\_\_\_\_ W.C. Burner (Manifold) \_\_\_\_\_ W.C. Make sure the Min/Max inlet pressure match the table below.
- Lighting the fireplace for the first time may take some time until the line is purged

Gas Pressure	Natural Gas	Propane
Minimum inlet pressure	5.0" W.C	10". W.C
Maximum inlet pressure	10" W.C	13" W.C

**Acceptable Inlet Gas pressure table**

**WARNING!** Risk of Fire or Explosion! High pressure will damage valve. Low pressure could cause explosion.

**Verify inlet pressures.** Verify minimum pressures when other household gas appliances are operating



Have the gas supply line installed in accordance with local codes, if any. If not available, follow ANSI Z23.1.

Installation should be done by a qualified installer approved and/or licensed as required by the locality. **(In the Commonwealth of Massachusetts installation must be performed by a licensed plumber or gas fitter).**

#### ORIFICE SIZE

Flare Fireplace appliances are tested and approved for installations at elevations of 0–4500 feet (0–1372 meters) above sea level using the standard Burner orifice sizes. At the time of installation, it must be determined if the appliance needs to be de-rated. Contact your local gas supplier for deration requirements for your area.

De-rated installation consideration can start at 2000 Ft above sea level.

At higher elevations, the amount of BTU fuel value delivered must be reduced by either using gas that has been derated by the gas company or by changing the burner orifice to a smaller size as regulated by the local authorities having jurisdiction and by the (USA) National Fuel Gas Code NFPA 54/ANSI Z223.1 - latest edition or, in Canada, the CAN/CSA-B149.1 codes – latest edition.

#### GAS VALVE ACCESS DOOR

The Flare Fireplace gas valve and control system is on an “Umbilical cord” that can be stretched up to ~60 inch from the middle of the fireplace and be put next to the access door location.

The access door can be placed on any side of the fireplace, below the non-combustible line.

The use of a 10”x10” access door is highly recommended. If no access door is installed, it is possible to access the gas valve from inside the fireplace by removing the glass.

The access door can also be used as a lower air intake for a double glass installation as long as a perforated access door is used.

The access door can be concealed in many ways such as HVAC vent cover or removable tile.



## COMMONWEALTH OF MASSACHUSETTS

### State of Massachusetts Carbon Monoxide

Detector/Vent Terminal Signage Requirements For all side wall horizontally vented gas fueled equipment installed in every dwelling, building or structure used in whole or in part for residential purposes, including those owned or operated by the Commonwealth and where the side wall exhaust vent termination is less than seven (7) feet above finished grade in the area of the venting, including but not limited to decks and porches, the following requirements shall be satisfied:

1. **INSTALLATION OF CARBON MONOXIDE DETECTORS.** At the time of installation of the side wall horizontal vented gas fueled equipment, the installing plumber or gas fitter shall observe that a hard wired carbon monoxide detector with an alarm and battery back-up is installed on the floor level where the gas equipment is to be installed. In addition, the installing plumber or gas fitter shall observe that a battery operated or hard wired carbon monoxide detector with an alarm is installed on each additional level of the dwelling, building or structure served by the side wall horizontal vented gas fueled equipment. It shall be the responsibility of the property owner to secure the services of qualified licensed professionals for the installation of hard wired carbon monoxide detectors.
  - a. In the event that the side wall horizontally vented gas fueled equipment is installed in a crawl space or an attic, the hard wired carbon monoxide detector with alarm and battery back-up may be installed on the next adjacent floor level.
  - b. In the event that the requirements of this subdivision cannot be met at the time of completion of installation, the owner shall have a period of thirty (30) days to comply with the above requirements; provided, however, that during said thirty (30) day period, a battery operated carbon monoxide detector with an alarm shall be installed
2. **APPROVED CARBON MONOXIDE DETECTORS.** Each carbon monoxide detector as required in accordance with the above provisions shall comply with NFPA 720 and be ANSI/UL 2034 listed as IAS certified.
3. **SIGNAGE.** A metal or plastic identification cation plate shall be permanently mounted to the exterior of the building at a minimum height of eight (8) feet above grade directly in line with the exhaust vent terminal for the horizontally vented gas fuelled heating appliance or equipment. The sign shall read, in print size no less than one-half (1/2) inch in size, "GAS VENT DIRECTLY BELOW. KEEP CLEAR OF ALL OBSTRUCTIONS".
4. **INSPECTION.** The state or local gas inspector of the side wall horizontally vented gas fuelled equipment shall not approve the installation unless, upon inspection, the inspector observes carbon monoxide detectors and signage installed in accordance with the provisions of 248 CMR 5.089(2)(a) 1 through 4.

(b) **EXEMPTIONS.** The following equipment is exempt from 248 CMR 5.089(2)(a) 1 through 4.

1. The equipment listed in Chapter 10 entitled "Equipment Not Required To Be Vented" in the most current edition of NFPA 54 as adopted by the Board; and
2. Product Approved side wall horizontal vented gas fuelled equipment installed in a room or structure separate from the dwelling, building or structure used in whole or in part for residential purposes.

(c) **MANUFACTURER REQUIREMENTS – GAS EQUIPMENT VENTING SYSTEM PROVIDED.** When the manufacturer of Product Approved side wall horizontally vented gas equipment provides a venting system design or venting system components with the equipment, the instructions provided by the manufacturer for installation of the equipment and the venting system shall include:

1. Detailed instructions for the installation of the venting system design or the venting system components; and
2. A complete parts list for the venting system design or venting system.

(d) **MANUFACTURER REQUIREMENTS – GAS EQUIPMENT VENTING SYSTEM NOT PROVIDED.** When the manufacturer of a Product Approved side wall horizontally vented gas fuelled equipment does not provide the parts for venting the fuel gases, but identifies "special venting systems", the following requirements shall be satisfied by the manufacturer.

1. The referenced "special venting system" instructions shall be included with the appliance or equipment installation instructions; and
2. The "special venting systems" shall be Product Approved by the Board, and the instructions for that system shall include a parts list and detailed installation instructions.

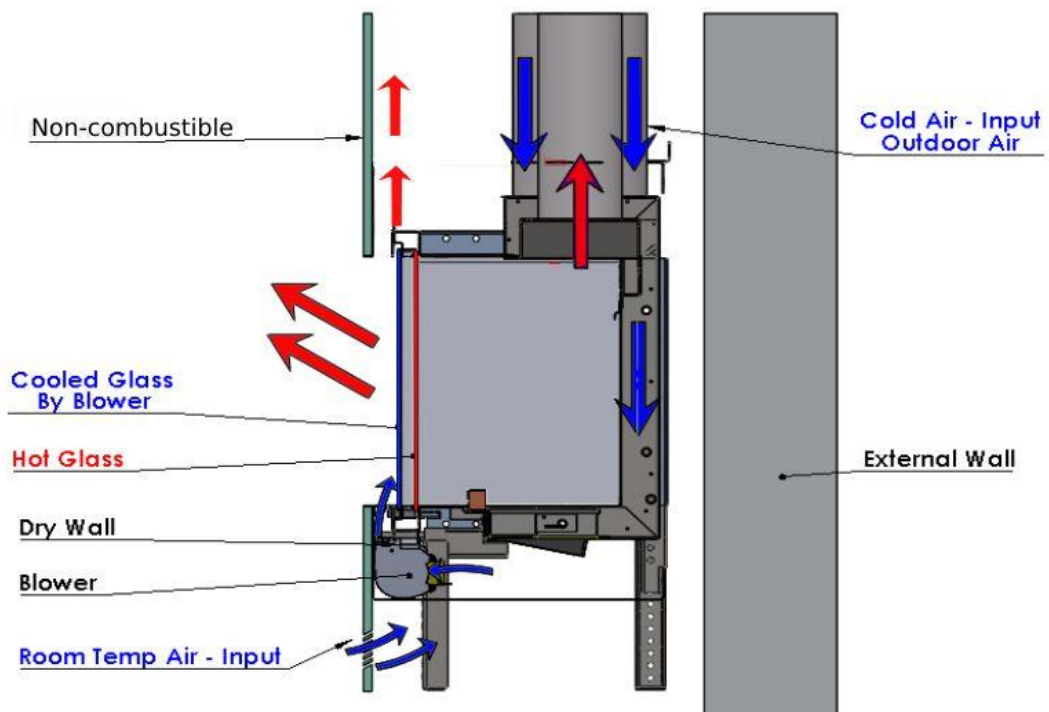
(e) A copy of all installation instructions for all Product Approved side wall horizontally vented gas fuelled equipment, all venting instructions, all parts lists for venting instructions, and/or all venting design instructions shall remain with the appliance or equipment at the completion of the installation.

## FLARE FIREPLACES - DOUBLE GLASS

### OVERVIEW

With an effort to make our fireplaces safer, Flare Fireplaces is offering our full line of products with a safety double glass technology. The Flare Fireplace double glass is built with two layers of ceramic glass. The design allows air to cool the external glass and with the help of built-in blowers, resulting in a significantly reduced external glass temperature that is safe for a brief touch.

The Fireplace heating characteristics, efficiency and look are maintained while the external look remains and is free from any protective screen.



### DOUBLE GLASS - INSTRUCTIONS

The double glass design depends on the blower ability to move room temperature air (Marked as "input") using the lower vent opening, up between and over the external glass.

The following upper vent opening **MUST** be maintained:

For Fireplace size above 60" / 150 cm - Vent area above **140 Sq** inch

For Fireplace size below 60" / 150 cm - Vent area above **100 Sq** Inch

The following lower vent opening **MUST** be maintained:

For Fireplace size above 60" / 150 cm - Vent area above **70 Sq** inch

For Fireplace size below 60" / 150 cm - Vent area above **50 Sq** Inch

Upper vent openings can be set from the back or side or top, as long as the opening size comply with the above requirements.

Lower vent openings can be set from the back or side, as long as the opening size comply with the above requirements.

Lower vent opening are a **MUST** for double glass implementation.

---

#### POWER REQUIREMENTS

The double glass design depends on the active blower system and requires a power 110v 1PH 15A.

## TELEVISION MOUNTING ABOVE FIREPLACE

The Flare Fireplace frameless design directs the heat from the fireplace in to the fireplace chase to be released from the top vent opening. The design allows for relatively low temperature on the external wall above the fireplace.

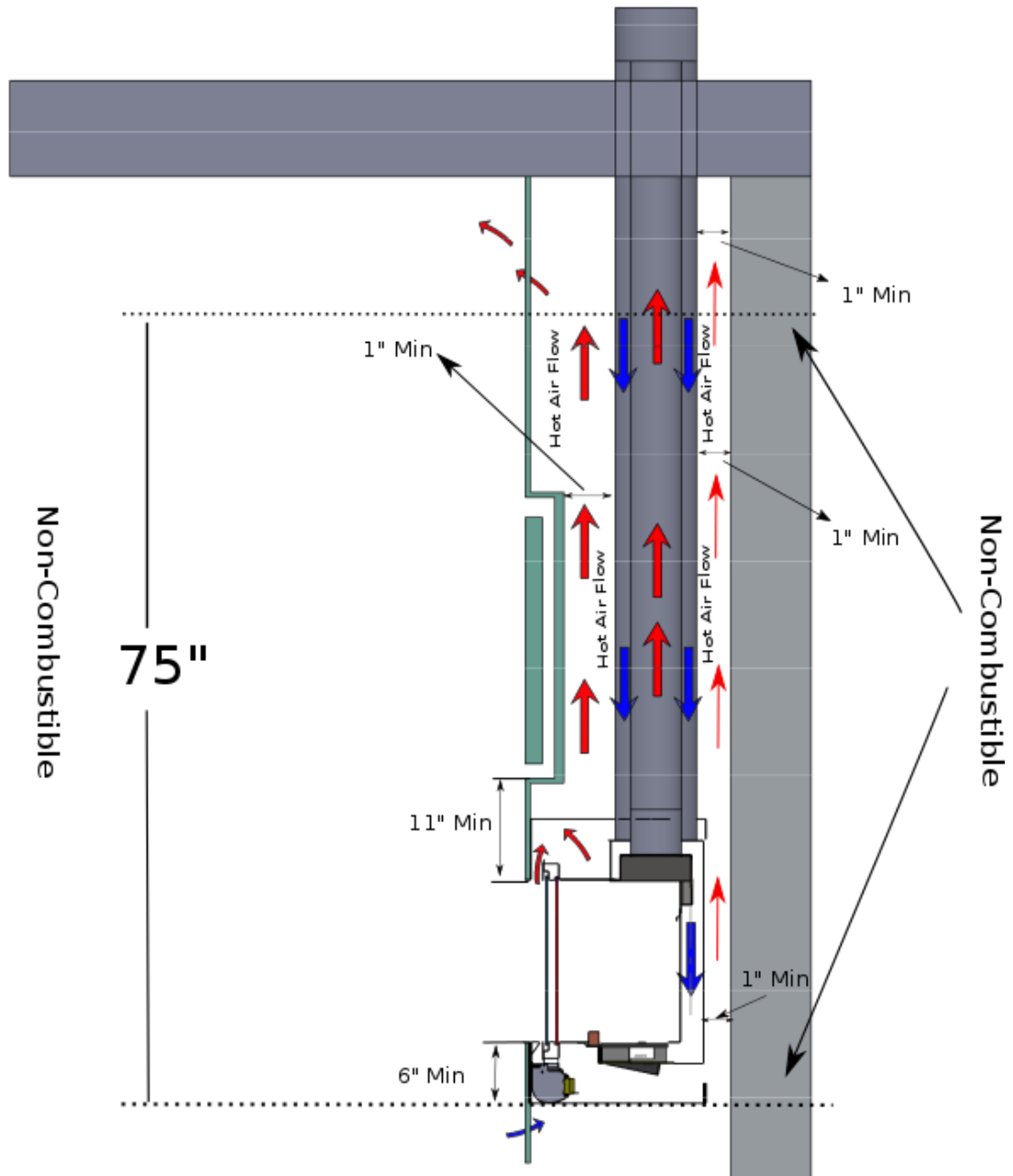
Follow the chart below for suggested installation of a Television above the fireplace

- Please note that electric wiring used for the Television must be insulated when installed below non-combustible line.
- It is critical that wiring insulation **does not** abstract the hot air flow from going to the top part of the chase to be released back to the room.
- Follow the chart below for clearance and sizing.
- **It is recommended to double wall** the area behind the TV to allow cables and other related material to be install with less concern of blocking hot air flow. Use non-combustible material for double wall.
- All wires **MUST** be secured and anchored to the frame to prevent any possibility of wires dropping on top of the Fireplace.
- TV must be recessed when installed above the Fireplace or protected by a mantel.
- Wires should be inserted to the recess from the top or sides (In order to avoid proximity to the fireplace vent).

Please note that most Television manufacture and manual will instruct the owner not to install Television above or near a fireplace. Mounting a Television above the fireplace is based on the owner decision and responsibility.

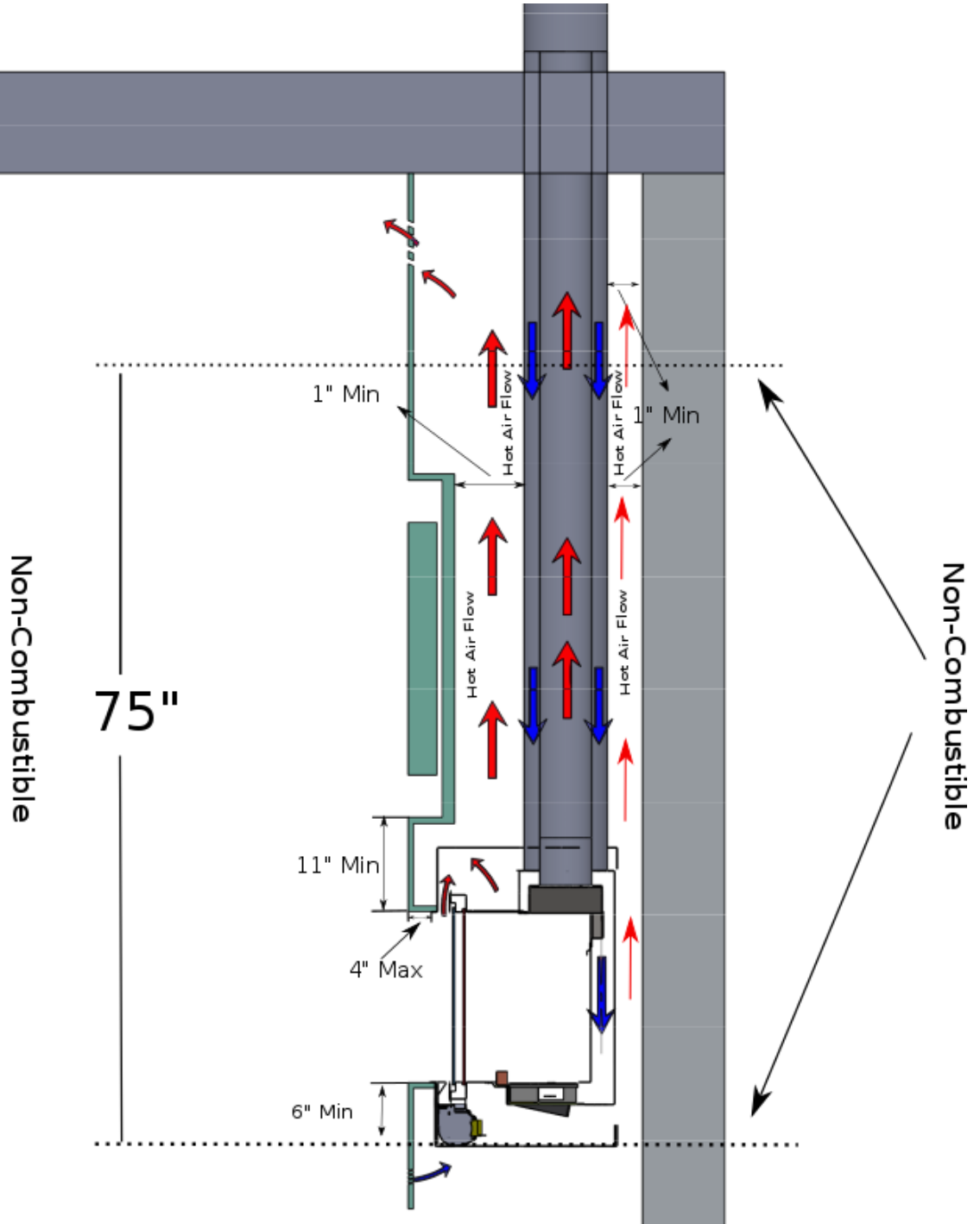
See next page for example and clearance information

## TV INSTALL – FLAT EXAMPLE



**Warning!** – Maintain open Air flow between the fireplace and drywall. Make sure cables or any other materials are not blocking hot air flow

TV INSTALL – L TYPE EXAMPLE



**Warning!** – Maintain open Air flow between the fireplace and drywall. Make sure cables or any other materials are not blocking hot air flow

## CLEARANCES

### GENERAL INFORMATION AND STEPS

1. **Floor clearances** – Clearance to floor is min 1”.

**NOTICE:** Install appliance on hard metal or wood surfaces extending full width and depth.

**WARNING! - DO NOT** install directly on carpeting, vinyl, tile or any combustible material other than wood.

2. **Front clearance** - Do not put furniture or objects within 36” (914 mm) of glass front of appliance.
3. **Clearance to Metal frame** – Clearance to metal frame is 1/2 inch ( 12.7 mm) minimum .
4. **Minimum Combustible Clearances from Vent** –
  - HORIZONTAL VENT CLEARANCES: A minimum clearance of 3” (76mm) to the top and 2” (51mm) to the sides and bottom of the vent pipe on all horizontal runs to combustibles is required.
  - VERTICAL VENT CLEARANCES: A minimum of 1” (25mm) all around the vent pipe on all vertical runs to combustibles is required except for clearances in appliance enclosures.
  - Horizontal Vent have a minimum 1/4” (6mm) rise per foot towards the termination.

**WARNING!** - Never allow the vent to run downward. A Downward slope can trap heat and become a possible fire hazard.

### **WARNING!**

Maintain vent clearance to combustibles as detailed above.

DO NOT pack air space with insulation or other materials.

Failure to keep insulation or other materials away from vent pipe could cause overheating and fire.

5. **Mantel Clearance** –
  - Ensure clearances to combustibles are maintained when building a mantel or shelves above the appliance.
  - Combustible mantel clearance can vary according to the mantel size and location. [Use chart and provided table for information on Mantel install.](#)
6. **Fireplace shelf enclosure**

Shelf enclosure minimum height of 6” above fireplace (12” above glass). Shelf enclosure below non-combustible line MUST be made from non-combustible material. Shelf enclosure must comply with Flare heat release requirements.

### 7. Celling Clearance-

The minimum ceiling height for a Flare is the non-combustible line, as shown on the manual clearance chart.

For Flare 24" models – the minimum height will be 40", from the top of the unit.

For Flare 16" models - the minimum height will be 47" from the top of the unit.

**Heat release above the fireplace is critical for keeping the chase at relatively low temperature.**

8. Finishing around fireplace - Non-combustible finishing material (i.e. cement board, brick, stone, tile) **MUST** be used to finish around the front of the appliance (Inside non-combustible area).

### 9. Minimum Combustible Clearances –

- Identify the product type to be installed in order to follow the correct installation example. Examples are model specific (Front, See Through, Corner or Room Definer).
- Identify the product installation method, *Flat* or *L shape* (Frame cover is projected into the room).
- Clearance to combustible is 2" **below non-combustible line** (use clearance chart for details). Please note that combustible material **cannot be used** below "non-combustible line" without being covered by non-combustible material. When covering non-combustible below the "non-combustible line", continue to keep 2" minimum clearance to combustible covered material.

**Example:** Fireplace clearance to back non-combustible cement board wall is 2.5". Cement board used is ½". Combustible material can be used behind cement board as it is 2.5" away from the back of the fireplace and is covered – with a non-combustible.

## Clearances Specification

### Non-Combustible Materials Specification

Material which will not ignite and burn. Such materials are those consisting entirely of steel, iron, brick, tile, concrete, slate, glass or plasters, or any combination thereof. Materials that are reported as passing ASTM E 136, Standard Test Method for Behavior of Materials in a Vertical Tube Furnace at 750 °C shall be considered non-combustible materials. Non-combustible cement board approve must be at least 1/2" (13 mm) thick.

Non-combustible materials may be installed on the fireplace frame to cover the metal part as detailed in the installation examples and clarifications as long as it does not transfer any weight on the fireplace. Facing and/or finishing materials must never overhang into the glass opening

All joints between the finished wall sheathing and the appliance must be sealed with non-combustible materials.

**WARNING!** Risk of Fire! DO NOT apply combustible materials beyond the minimum clearances. Comply with all minimum clearances to combustibles as specified in this manual.

### Combustible Materials Specification

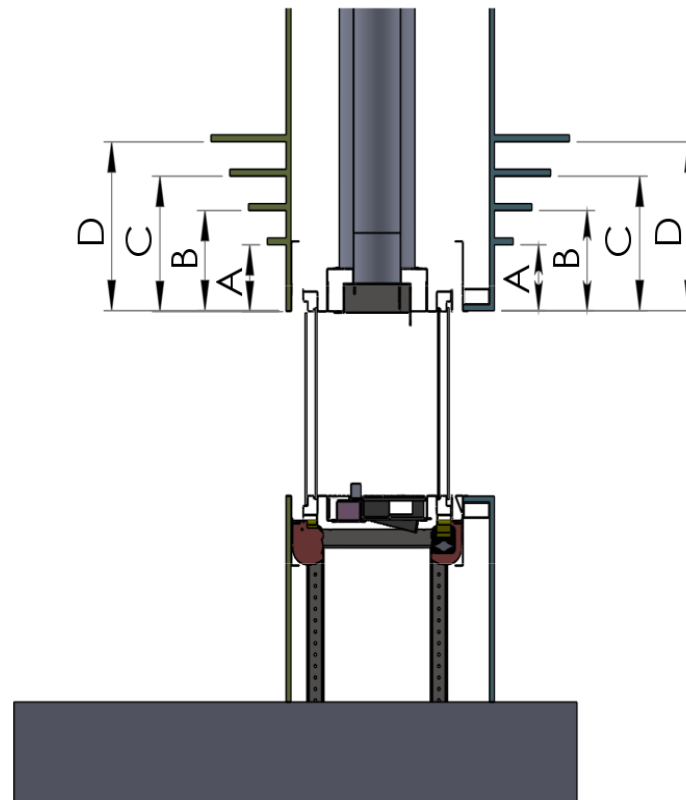
Materials made of or surfaced with wood, compressed paper, plant fibers, plastics, or other material that can ignite and burn, whether flame-proofed or not, or plastered or unplastered shall be considered combustible materials.



### MANTEL CLEARANCE

Combustible mantel clearance can vary according to the mantel size and location. Use chart and provided table for information on Mantel install.

REF	Height	Mantel Depth
A	2"	1"
B	4"	4"
C	6"	6"
D	10"	12"



Mantel Clearance chart and example

## TOP HEAT RELEASE

All Flare Fireplaces require heat release venting back to the room in order to keep the temperature of the surrounding walls controlled.

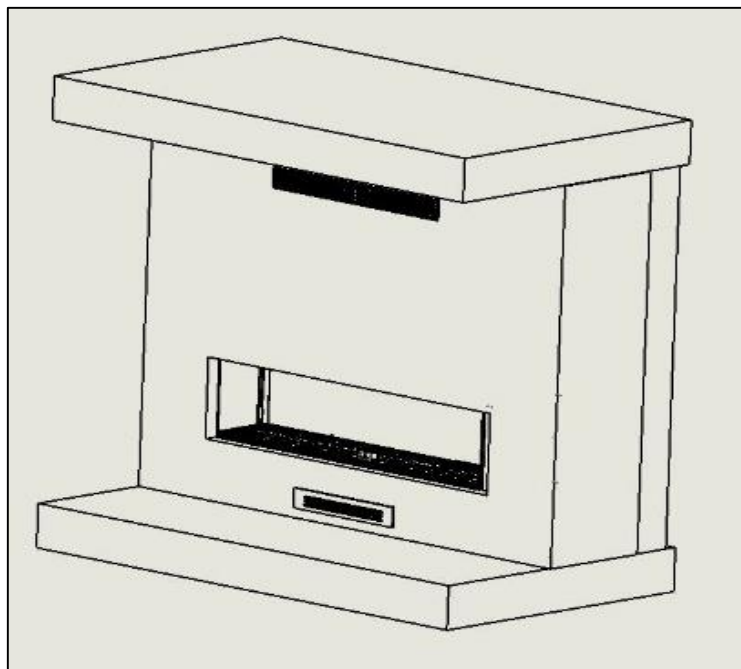
Top Vent system - Hot Airflow outlet from the wall enclosure **MUST** remain open. The outlet must be at the top part of the enclosure but not necessarily at the front, as long as the measurements below are maintained.

For Fireplace size above **60" / 150 cm** - Vent area above **140 Sq inch**

For Fireplace size below **60" / 150 cm** - Vent area above **100 Sq inch**

The top of the outlet(s) must be at least 1" (25mm) down from the ceiling and no more than 3" (76mm) down. The vent can also be installed on top of the enclosure, in case of a drop wall (a chase that is not built all the way to the upper ceiling).

Any opening above the listed minimum is highly recommended and will help reduce the temperature of the surrounding walls.



Lower vent opening - **Optional** for normal installation. A **Must** for double glass installation or blower kit option.

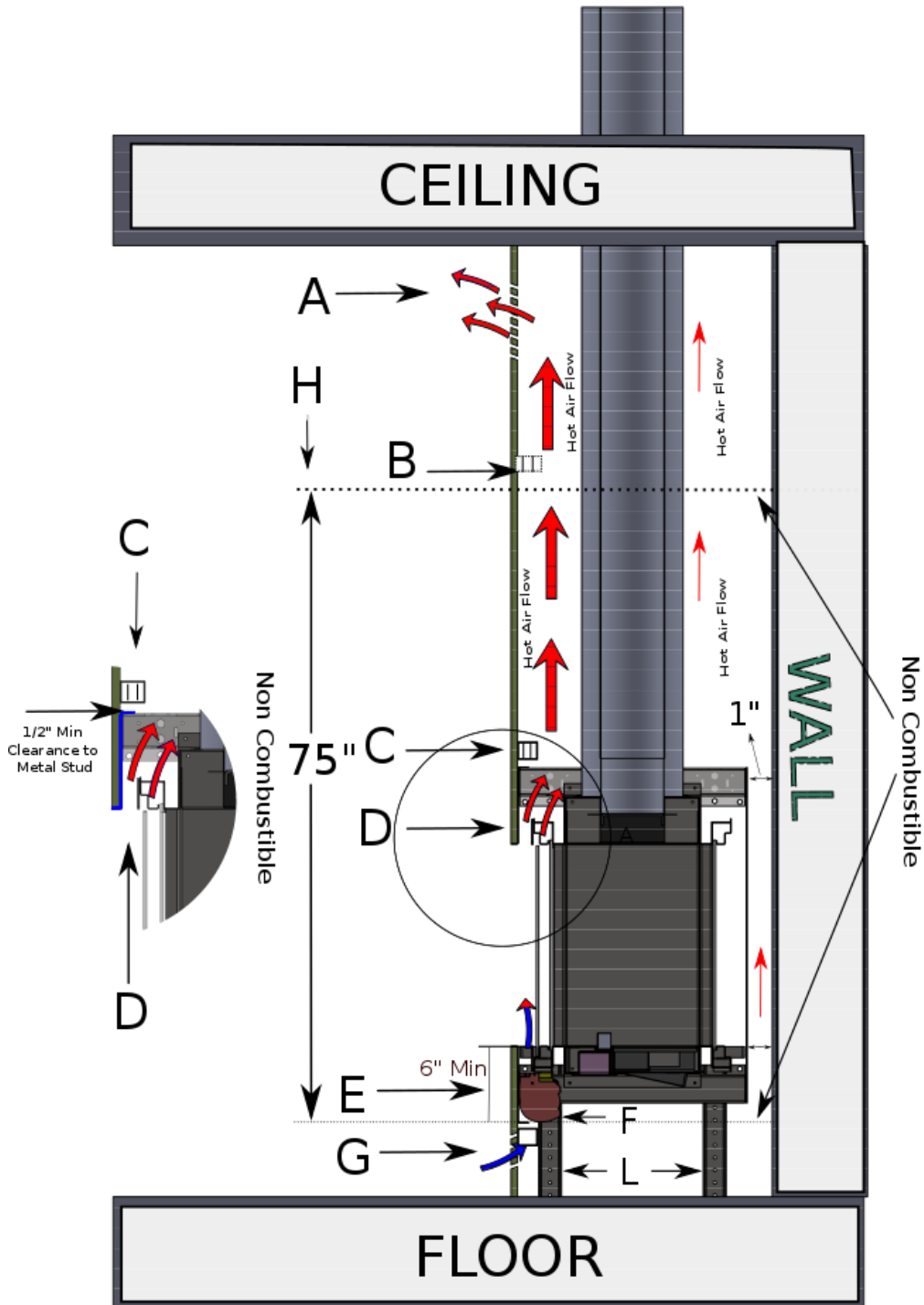
For Fireplace size above **60" / 150 cm** - Vent area above **70 Sq inch**

For Fireplace size below **60" / 150 cm** - Vent area above **50 Sq Inch**

The lower vent opening can also be used as an access door to the gas valve as long as it meets both requirements in terms of size.

FLARE FRONT, SEE THROUGH & CORNER FIREPLACE CLEARANCE

FLAT – SIDE AND ISOMETRIC VIEW



**Warning!** – Maintain open Air flow between the fireplace and drywall. Make sure cables or any other materials are not blocking hot air flow

**A.** Top Vent system - Hot Airflow outlet from the wall enclosure **MUST** remain open. The outlet must be at the top part of the enclosure but not necessarily at the front, as long as the measurements below are maintained.

For Fireplace size above **60" / 150 cm** - Vent area above **140 Sq inch**

For Fireplace size below **60" / 150 cm** - Vent area above **100 Sq inch**

**B.** Open air flow for hot air to raise from the fireplace to the top of the enclosure. The enclosure can be supported by studs but open air flow **MUST** be maintained at all time. In case needed, insulation for electric wires or systems may be added but it is **imported** to maintain the majority of the air flow open. **Never place any insulation on the fireplace.**

**C.** Metal Stud below non-combustible metrical line .Below non-combustible line, all studs used should be metal type. No studs to be connected to the fireplace frame (1/2 Inch clearance). Open hot airflow **MUST** be maintained and should not be blocked.

**D.** Non-combustible metrical is placed flat on the front fireplace support bracket. The support bracket holds the Fire-Rated, Non-combustible, material and allows hot air to raise from the glass into the fireplace enclosure. Hot air is to be released into the room using the top static vent opening.

The fireplace enclosure must allow air to rise and circulate from the top of the fireplace glass (from lower vent opening), to be released back to the room from the top.

To increase heating, the enclosure should prevent hot air from being released to the attic by venting it back to the room using the static vent system (A).

Non-combustible stud **MUST NOT** be connected or drilled into the fireplace frame. Drilling into the fireplace frame can result in damage to the fireplace.

**E.** Cold air, drafted from the room through the lower static vent, (G) flows up and is heated by the fireplace. The Cold air gap should remain open to allow air to flow up and exchange heat with the fireplace. The fireplace can be installed with double glazing glass system or safety screens .Blower system may be used to push cold air up (F).

**F.** Heat exchange blowers are optional when fireplace is installed with safety screens. Heat exchange blowers must be included when installing a double glazing fireplace. The blowers are design to move cold air from the room using the lower vent opening (G) up against the fireplace glass. As the air flows on the glass, it is heated and released back to the room from the glass front and from the top (A) vent opening.

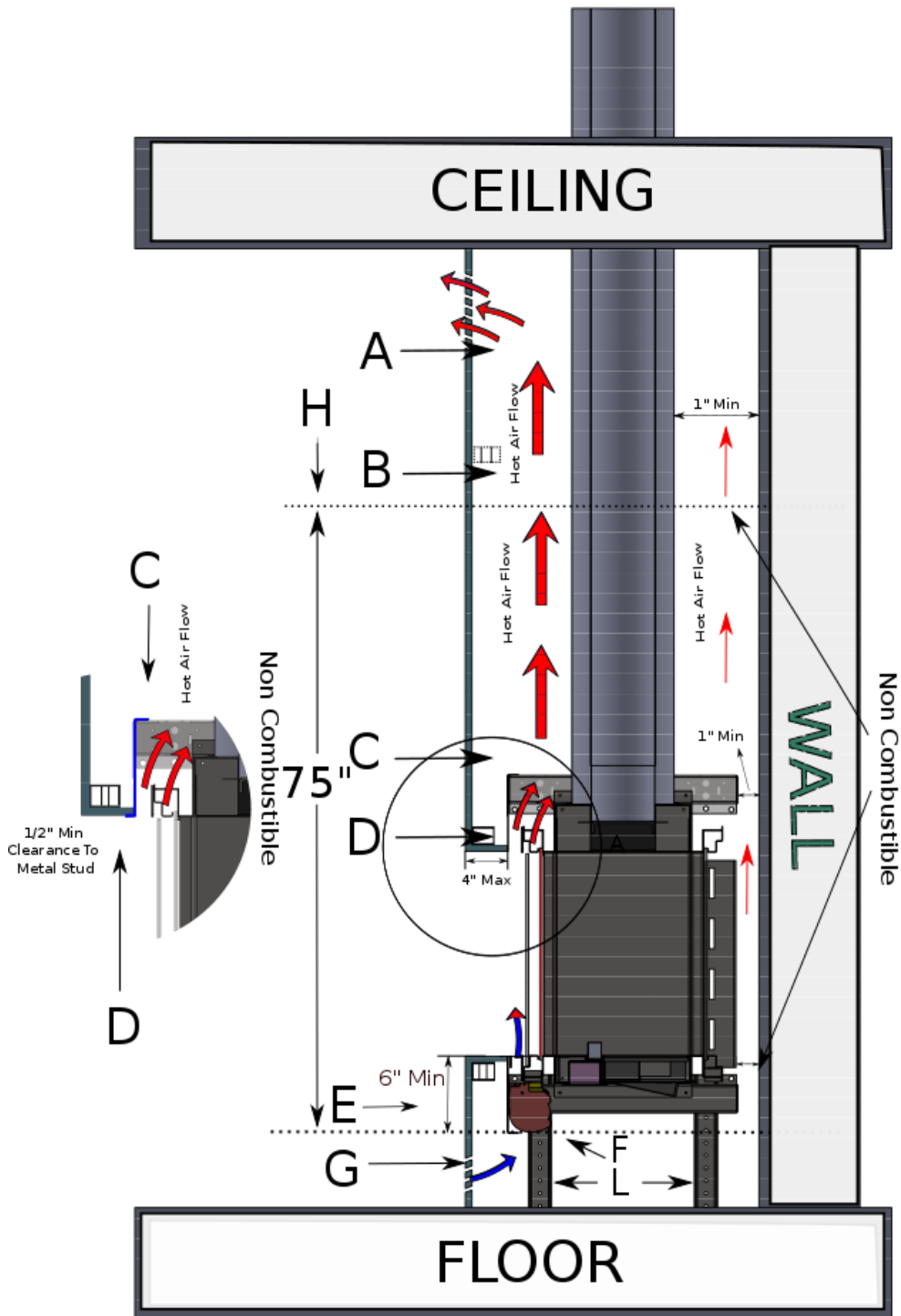
**G.** Lower vent opening. **Optional** for normal installation. A **Must** for double glass installation or blower kit option.

For Fireplace size above **60" / 150 cm** - Vent area above **70 Sq inch**

For Fireplace size below **60" / 150 cm** - Vent area above **50 Sq Inch**

**L.** Adjustable fireplace legs.

**H.** Non-combustible metrical line - 75 inch from the bottom of the fireplace. All installed metrical between lower and upper line must be non-combustible.



**Warning!** – Maintain open Air flow between the fireplace and drywall. Make sure cables or any other materials are not blocking hot air flow

A. Top Vent system - Hot Airflow outlet from the wall enclosure MUST remain open. For Flare See Through fireplace,

open vent must exist in both sides of the glass. The outlet must be at the top part of the enclosure but not necessarily at the front, as long as the measurements below are maintained.

For Fireplace size above **60" / 150 cm** - Vent area above **140 Sq inch**

For Fireplace size below **60" / 150 cm** - Vent area above **100 Sq inch**

**B.** Open air flow for hot air to raise from the fireplace to the top of the enclosure. The enclosure can be supported by studs but open air flow **MUST** be maintained at all time. In case needed, insulation for electric wires or systems may be added but it is **imported** to maintain the majority of the air flow open. **Never place any insulation on the fireplace.**

**C.** Metal Stud below non-combustible metrical line .Below non-combustible line, all studs used should be metal type. No studs to be connected to the fireplace frame(1/2 Inch clearance). Open hot airflow **MUST** be maintained and should not be blocked.

**D.** Non-combustible metrical is placed flat on the front fireplace support bracket. The support bracket holds the Fire-Rated, Non-combustible, material and allows hot air to raise from the glass into the fireplace enclosure. Hot air is to be released into the room using the top static vent opening.

The fireplace enclosure must allow air to rise and circulate from the top of the fireplace glass (from lower vent opening), to be released back to the room from the top.

To increase heating, the enclosure should prevent hot air from being released to the attic by venting it back to the room using the static vent system (A).

Non-combustible stud **MUST NOT** be connected or drilled into the fireplace frame. Drilling into the fireplace frame can result in damage to the fireplace.

**E.** Cold air, drafted from the room through the lower static vent, (G) flows up and is heated by the fireplace. The Cold air gap should remain open to allow air to flow up and exchange heat with the fireplace. The fireplace can be installed with double glazing glass system or safety screens .Blower system may be used to push cold air up (F).

**F.** Heat exchange blowers are optional when fireplace is installed with safety screens. Heat exchange blowers must be included when installing a double glazing fireplace. The blowers are design to move cold air from the room using the lower vent opening (G) up against the fireplace glass. As the air flows on the glass, it is heated and released back to the room from the glass front and from the top (A) vent opening.

**G.** Lower vent opening. **Optional** for normal installation. A **Must** for double glass installation or blower kit option.

For Fireplace size above **60" / 150 cm** - Vent area above **70 Sq inch**

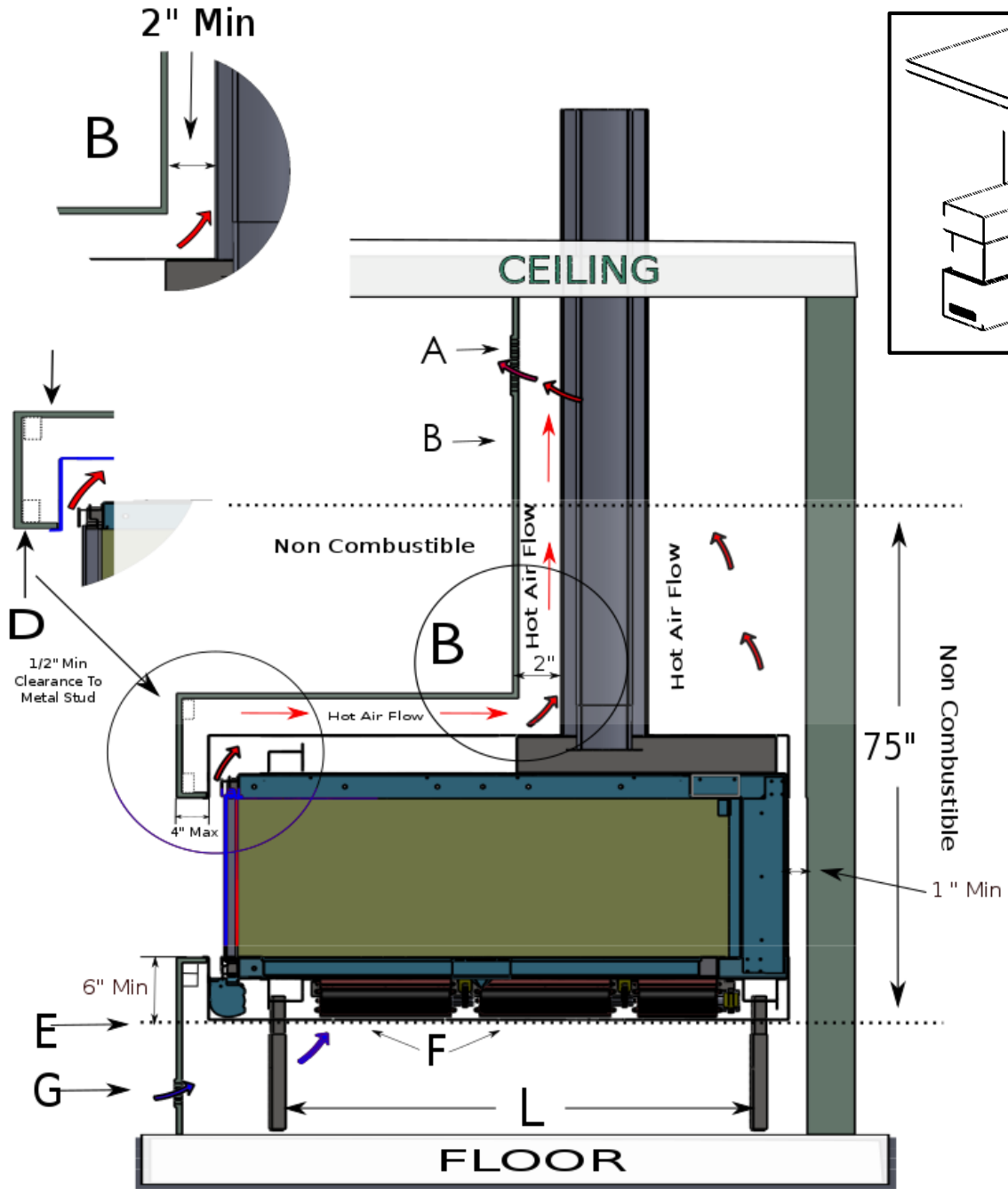
For Fireplace size below **60" / 150 cm** - Vent area above **50 Sq Inch**

**L.** Adjustable fireplace legs.

**H.** Non-combustible metrical line - 75 inch from the bottom of the fireplace. All installed metrical between lower and upper line must be non-combustible.

## FLARE ROOM DEFINER FIREPLACE CLEARANCE

### FLAT – SIDE AND ISOMETRIC VIEW



**Warning!** – Maintain open Air flow between the fireplace and drywall. Make sure cables or any other materials are not blocking hot air flow

**A.** Top Vent system - Hot Airflow outlet from the wall enclosure **MUST** remain open. For Flare See Through fireplace, open vent must exist in both sides of the glass. The outlet must be at the top part of the enclosure but not necessarily at the front, as long as the measurements below are maintained.

For Fireplace size above **60" / 150 cm** - Vent area above **140 Sq inch**

For Fireplace size below **60" / 150 cm** - Vent area above **100 Sq inch**

**B.** Open air flow for hot air to raise from the fireplace to the top of the enclosure. The enclosure can be supported by studs but open air flow **MUST** be maintained at all time. In case needed, insulation for electric wires or systems may be added but it is **imported** to maintain the majority of the air flow open. **Never place any insulation on the fireplace.**

**C.** Metal Stud below non-combustible metrical line .Below non-combustible line, all studs used should be metal type. No studs to be connected to the fireplace frame (1/2 Inch clearance). Open hot airflow **MUST** be maintained and should not be blocked.

**D.** Non-combustible metrical is placed flat on the front fireplace support bracket. The support bracket holds the Fire-Rated, Non-combustible, material and allows hot air to raise from the glass into the fireplace enclosure. Hot air is to be released into the room using the top static vent opening.

The fireplace enclosure must allow air to rise and circulate from the top of the fireplace glass (from lower vent opening), to be released back to the room from the top.

To increase heating, the enclosure should prevent hot air from being released to the attic by venting it back to the room using the static vent system (A).

Non-combustible stud **MUST NOT** be connected or drilled into the fireplace frame. Drilling into the fireplace frame can result in damage to the fireplace.

**E.** Cold air, drafted from the room through the lower static vent, (G) flows up and is heated by the fireplace. The Cold air gap should remain open to allow air to flow up and exchange heat with the fireplace. The fireplace can be installed with double glazing glass system or safety screens .Blower system may be used to push cold air up (F).

**F.** Heat exchange blowers are optional when fireplace is installed with safety screens. Heat exchange blowers must be included when installing a double glazing fireplace. The blowers are design to move cold air from the room using the lower vent opening (G) up against the fireplace glass. As the air flows on the glass, it is heated and released back to the room from the glass front and from the top (A) vent opening.

**G.** Lower vent opening. **Optional** for normal installation. A **Must** for double glass installation or blower kit option.

For Fireplace size above **60" / 150 cm** - Vent area above **70 Sq inch**

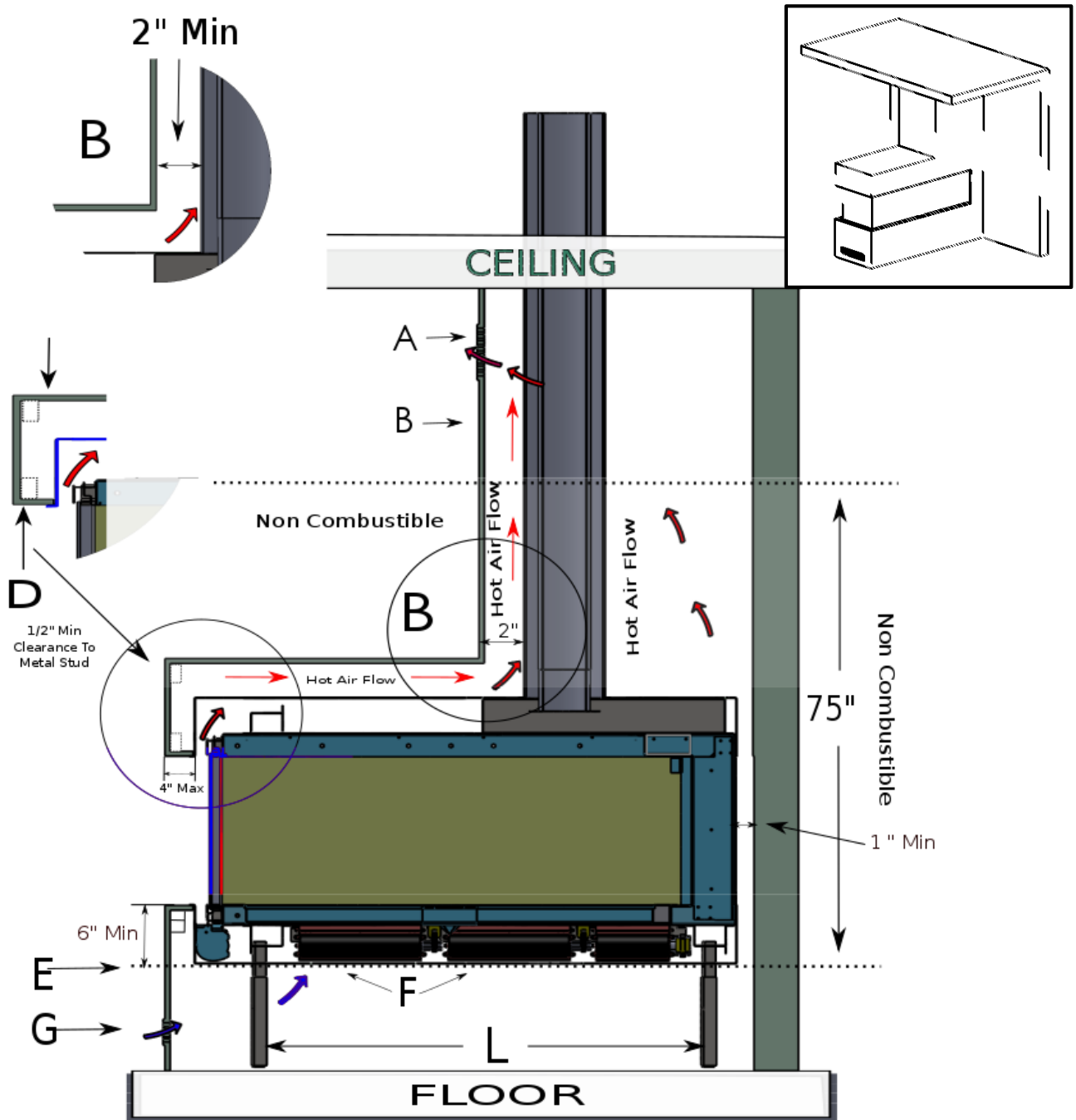
For Fireplace size below **60" / 150 cm** - Vent area above **50 Sq Inch**

**L.** Adjustable fireplace legs.

**H.** Non-combustible metrical line - 75 inch from the bottom of the fireplace. All installed metrical between lower and upper line must be non-combustible.



L SHAPE – SIDE AND ISOMETRIC VIEW



**Warning!** – Maintain open Air flow between the fireplace and drywall. Make sure cables or any other materials are not blocking hot air flow

**A.** Top Vent system - Hot Airflow outlet from the wall enclosure **MUST** remain open. For Flare See Through fireplace, open vent must exist in both sides of the glass. The outlet must be at the top part of the enclosure but not necessarily at the front, as long as the measurements below are maintained.

For Fireplace size above **60" / 150 cm** - Vent area above **140 Sq inch**

For Fireplace size below **60" / 150 cm** - Vent area above **100 Sq inch**

**B.** Open air flow for hot air to raise from the fireplace to the top of the enclosure. The enclosure can be supported by studs but open air flow **MUST** be maintained at all time. In case needed, insulation for electric wires or systems may be added but it is **imported** to maintain the majority of the air flow open. **Never place any insulation on the fireplace.**

**C.** Metal Stud below non-combustible metrical line .Below non-combustible line, all studs used should be metal type. No studs to be connected to the fireplace frame (1/2 Inch clearance). Open hot airflow **MUST** be maintained and should not be blocked.

**D.** Non-combustible metrical is placed flat on the front fireplace support bracket. The support bracket holds the Fire-Rated, Non-combustible, material and allows hot air to raise from the glass into the fireplace enclosure. Hot air is to be released into the room using the top static vent opening.

The fireplace enclosure must allow air to rise and circulate from the top of the fireplace glass (from lower vent opening), to be released back to the room from the top.

To increase heating, the enclosure should prevent hot air from being released to the attic by venting it back to the room using the static vent system (A).

Non-combustible stud **MUST NOT** be connected or drilled into the fireplace frame. Drilling into the fireplace frame can result in damage to the fireplace.

**E.** Cold air, drafted from the room through the lower static vent, (G) flows up and is heated by the fireplace. The Cold air gap should remain open to allow air to flow up and exchange heat with the fireplace. The fireplace can be installed with double glazing glass system or safety screens .Blower system may be used to push cold air up (F).

**F.** Heat exchange blowers are optional when fireplace is installed with safety screens. Heat exchange blowers must be included when installing a double glazing fireplace. The blowers are design to move cold air from the room using the lower vent opening (G) up against the fireplace glass. As the air flows on the glass, it is heated and released back to the room from the glass front and from the top (A) vent opening.

**G.** Lower vent opening. **Optional** for normal installation. A **Must** for double glass installation or blower kit option.

For Fireplace size above **60" / 150 cm** - Vent area above **70 Sq inch**

For Fireplace size below **60" / 150 cm** - Vent area above **50 Sq Inch**

**L.** Adjustable fireplace legs.

**H.** Non-combustible metrical line - 75 inch from the bottom of the fireplace. All installed metrical between lower and upper line must be non-combustible.

## PRODUCT DIMENSIONS & SPECIFICATIONS

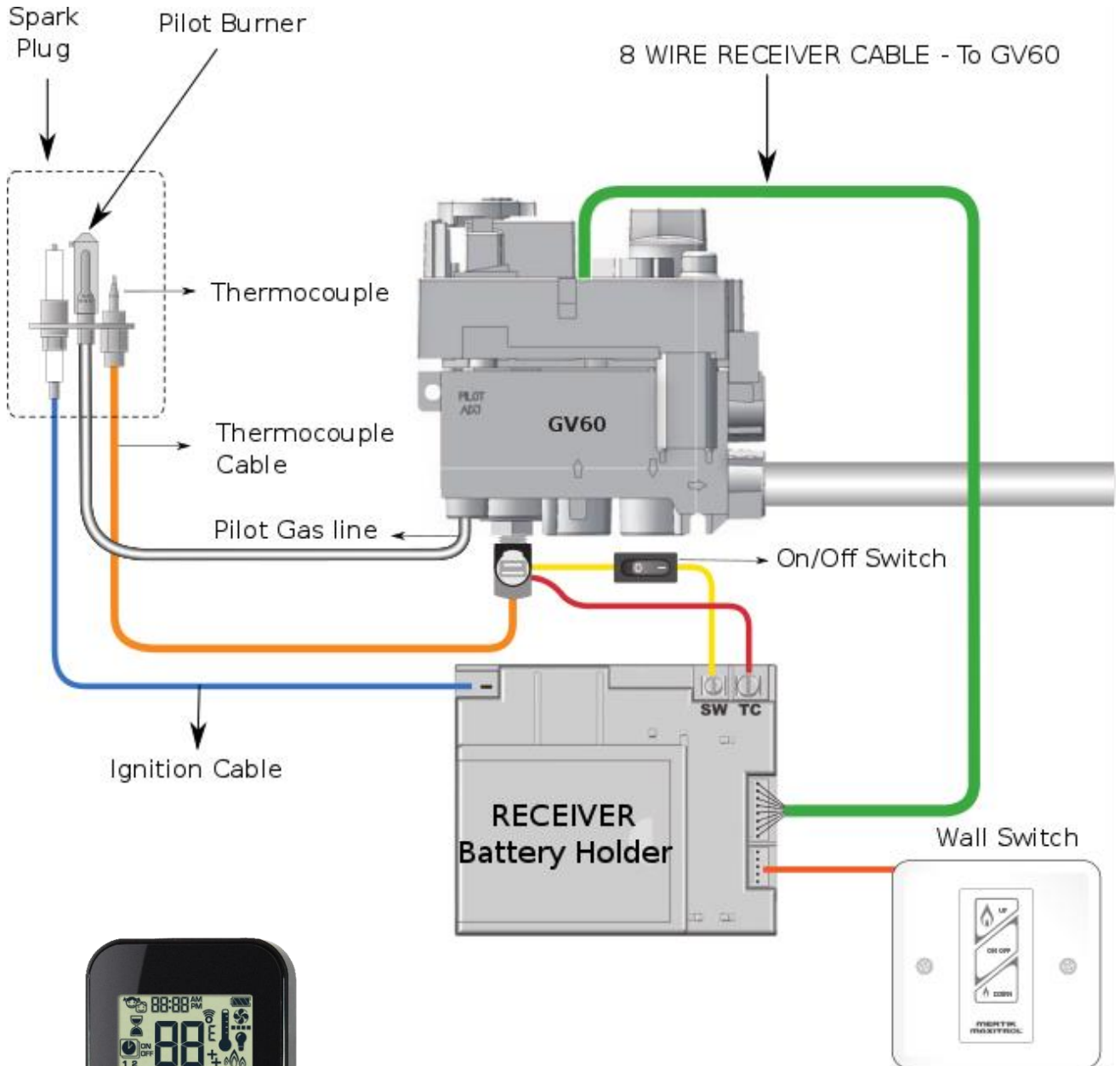
For updated product dimensions and framing information please use our webpage product page at [Flarefireplaces.com](http://Flarefireplaces.com).

## BURNERS DIMENSIONS

Burner Type	Size(Metric)	Size(Imperial)
A	356	14"
B	551	21 11/16"
C	806	31 12/16"
D	1018	40 1/16"
E	1272	50 1/16"
F	1522	59 15/16"
G	1734	68 4/16"
H	2134	84"

## ELECTRIC AND CONTROL

### ELECTRIC DIAGRAM



Flare Fireplaces Remote

## ELECTRIC DIAGRAM – DOUBLE GLASS

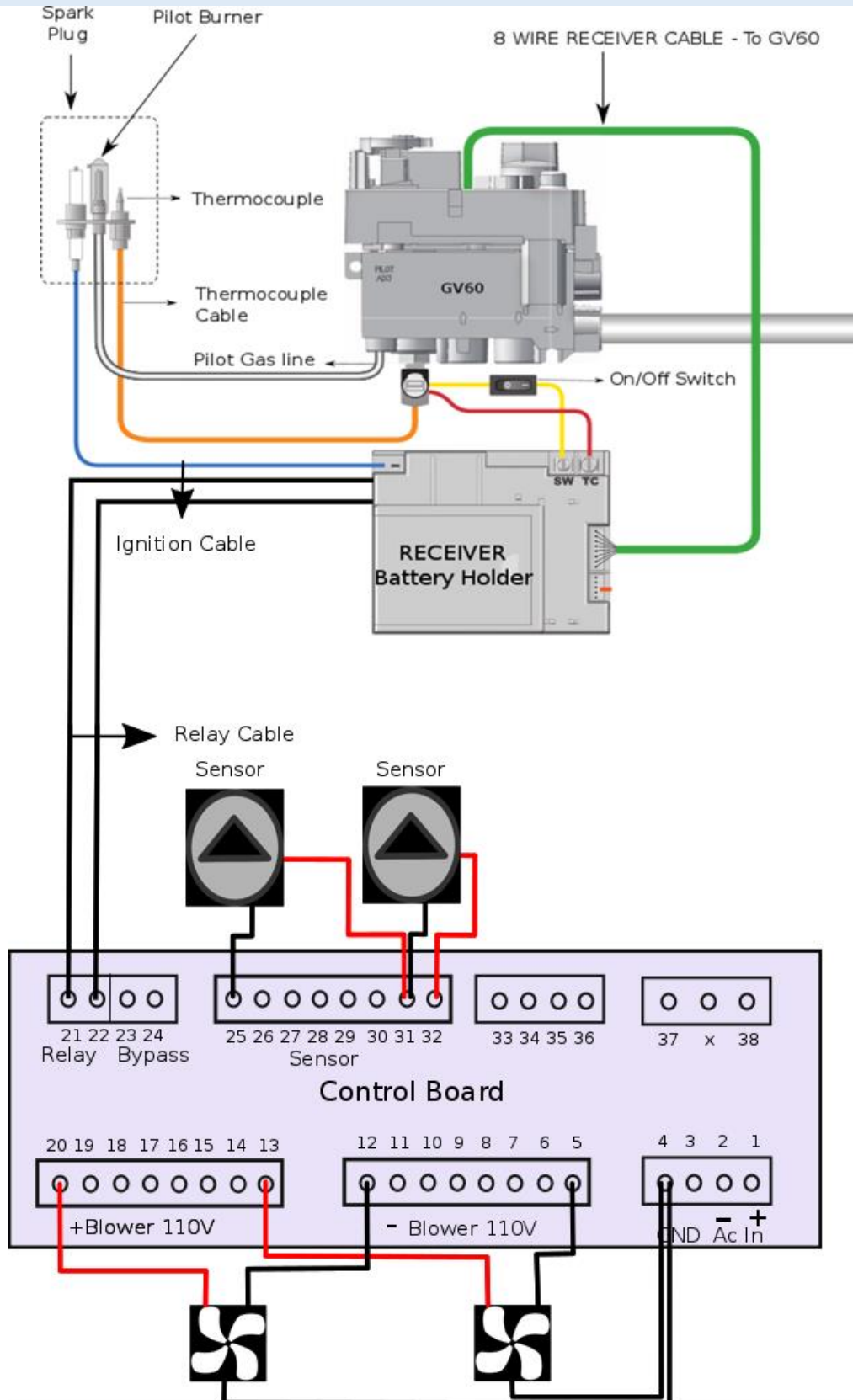
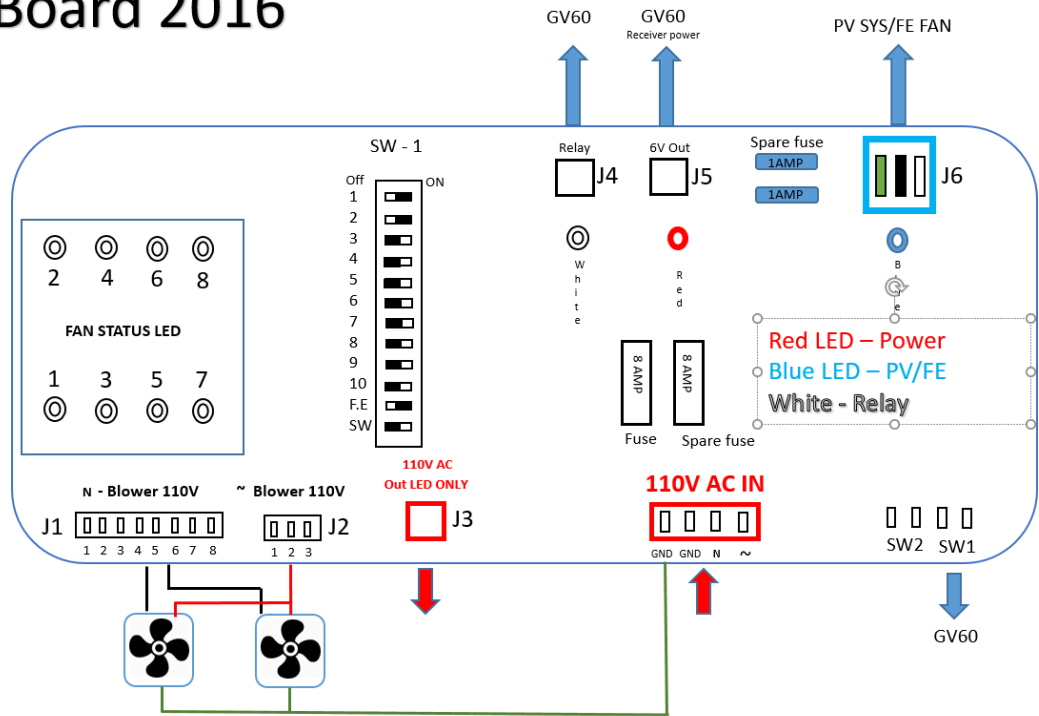
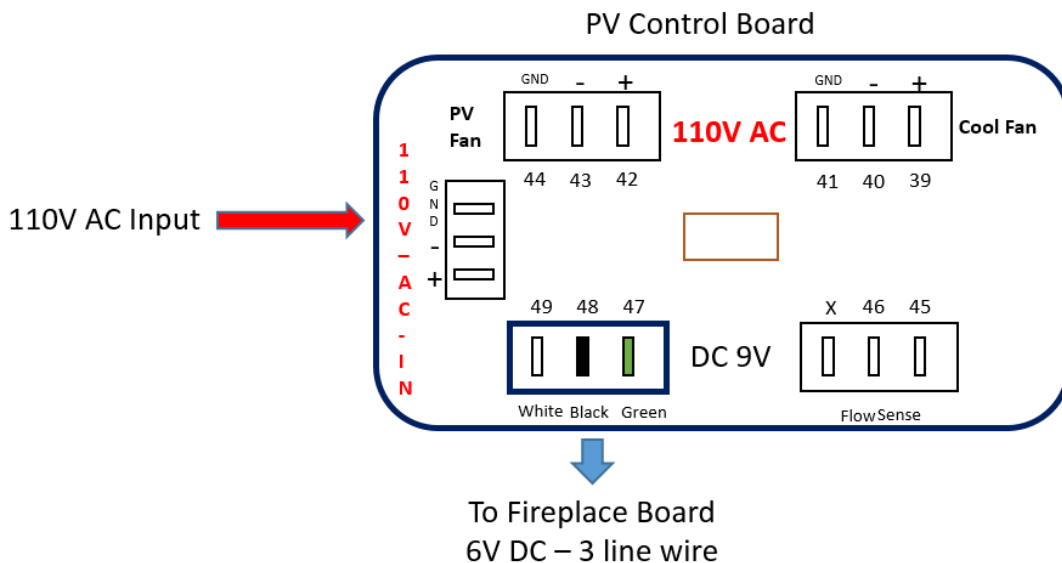


DIAGRAM – DOUBLE GLASS & PV - 2016

# Main Board 2016



ELECTRIC DIAGRAM – PV SYSTEM



## REPLACEMENT PARTS

See below for flare replacement part list.

- Please contact your fireplace dealer in order to purchase any replacement part.
- Please make sure to provide the description and part number.
- Please make sure to use a certified installer for any service related to your fireplace.

Part Number	Part Name
2701671	Power Vent unit #20
2701672	Power Vent unit #20
2701673	Flow Fan size 1
2701674	Flow Fan size 2
2701675	INJECTOR LPG
2701676	INJECTOR NG
2701677	THERMOCOUPLE
2701678	PILOT
2701679	SPARK PLUG
2701680	PILOT GASKET
2701681	PILOT GAS CABLE
2701682	TC CONNECTOR
2701683	OLIVE D.4
2701684	NUT FOR OLIVE D.4
8108684	Gas Combination Control GV60
8108685	4mm Fitting
8108686	Thermocurrent Interrupter
8108687	Plug, 3/8"
8108688	Cable Interrupter-Receiver
8108689	Ignition cable 1.5m
8108690	Solenoid Valve
8108691	Wall Switch
8108692	110V Adapter
8108693	8-wire Cable, 500mm
8108694	Receiver
8108695	Handset,Thermostat,6-button
8108696	Handset,Thermostat,8-button

Part Number	Part Name
8108697	Switch with cable
8108698	Battery Holder
8108699	Limit switch
8108700	Gas connector 60"
8108701	Gas connector 36"
8108702	4x6 vent adapter
8108703	5x8 vent adapter
8108702	3x5 vent adapter
8108701	Burner A
8108700	Burner B
8108699	Burner C
8108698	Burner D
8108697	Burner E
8108696	Burner F
8108695	Burner G



APPENDIX

MAINTENANCE LOG

Flare Fireplaces – Maintenance log

Following document should be used by the service technician. A copy should be kept with the technician and owner for future reference

Service Date: \_\_\_\_\_

Unit Information

Model Type and Size: \_\_\_\_\_

Serial #: \_\_\_\_\_

Owner Information

Name: \_\_\_\_\_

Address \_\_\_\_\_

Technician Information

Name: \_\_\_\_\_

Company Name \_\_\_\_\_

Technician NPI # \_\_\_\_\_

Service Information

\_\_\_\_\_

Yearly Maintenance: \_\_\_\_\_

Other: \_\_\_\_\_

Details: \_\_\_\_\_

\_\_\_\_\_  
\_\_\_\_\_  
\_\_\_\_\_  
\_\_\_\_\_  
\_\_\_\_\_  
\_\_\_\_\_  
\_\_\_\_\_  
\_\_\_\_\_

## WARRENTY POLICY

Flare Fireplaces are taking extreme measurements to assure all products are tested and verified and are free from defects prior to leaving our warehouse.

Our Factory is subject to high quality standard and is under the supervision of the CSA organization.

### **Flare Fireplaces Warranty information:**

- 1 year Limited Warranty on the gas valve, remote, pilot burner assembly, electric components and fan motors, interior decorative media.
- 5 Year Limited Warranty for Ceramic glass (thermal breakage only)
- 10-year Limited warranty on the firebox and burners

Flare warranty shall be effective only if the original purchaser of the fireplace appliance is registered with Flare Fireplaces within thirty days of the date of purchase.

Minor warping of certain parts or discoloration is normal and is not considered a defect that is covered by this warranty. Major disruption and buckling of parts can be caused by over-firing of your Fireplace. Over-firing above rated value specified in the manual is contrary to the manufacturer's instructions and may void this warranty.

All installations must be performed by a qualified technician in accordance with applicable local and national requirements.

Installations must be done in accordance with the appliance manual. The Limited Warranty applies only if the product is installed in the United States or Canada and only if installed, operated and maintained in accordance the attached product manual.

Warranty coverage begins on the date of original purchase.

It is the responsibility of the installer to ensure the appliance is firing as per the rating plate.

Any part that is found in our judgment to be defective shall be repaired, replaced or refunded at Flare Fireplaces option.

This warranty only covers Flare Fireplaces appliances that are purchased through a Flare Fireplace authorized dealer or distributor.

The warranty is only valid while the Flare Fireplace appliance remains at the site of original installation.

Contact your installing dealer for warranty service. If the installing dealer is unable to provide necessary parts, contact the nearest Flare Fireplaces authorized dealer or supplier.



All installations must be performed by a qualified technician in accordance with applicable local and national requirements.

Warranty coverage begins on the date of original purchase.

It is the responsibility of the installer to ensure the appliance is firing as per the rating plate.

Any part that is found in our judgment to be defective shall be repaired, replaced or refunded at Flare Fireplaces option.

This warranty only covers Flare Fireplaces appliances that are purchased through a Flare Fireplace authorized dealer or distributor.

The warranty is only valid while the Flare Fireplace appliance remains at the site of original installation.

Contact your installing dealer for warranty service. If the installing dealer is unable to provide necessary parts, contact the nearest Flare authorized dealer or supplier.

**This warranty is void if:**

Use of an unauthorized type of media in the firebox.

The appliance has been over-fired or operated in atmospheres contaminated by chlorine, fluorine, or other damaging chemicals. Over-firing can be identified by, but not limited to, warped plates or tubes, rust colored cast iron, bubbling, cracking and discoloration of steel or enamel finishes.

The appliance is subjected to prolonged periods of dampness or condensation.

There is any damage to the appliance or other components due to water or weather damage which is the result of, but not limited to, improper chimney or venting installation.

Holes have been drilled in to the fireplace for any reason.

**Exclusions:**

This warranty does not apply to any component that shows evidence of misuse, abuse, improper installation, accident or lack of maintenance.

Flare Fireplaces is not responsible for televisions, mantles, surrounds or finishing material around the fireplace.

Flare Fireplaces may at its discretion discharge all obligations by refunding the wholesale price of the defective part. The Limited Warranty covers only parts and labor as provided above. Flare Fireplaces will not be responsible for materials, components or construction, which are not manufactured or supplied by Flare Fireplaces or for the labor necessary to install, repair or remove such materials, components or construction.