



FLARE FIREPLACES

2017 CATALOG



**GAS
DIRECT
VENT**

FRAMELESS LINEAR MODERN



ABOUT

Flare Fireplaces merges contemporary, ergonomic design with practicality and efficiency. Whether you're looking for a stunning centerpiece or a heating unit for your home or business, Flare is your one stop source for high end fireplaces that can do it all.

Our frameless, linear, direct-vent fireplaces are made to the highest quality and safety standards. Flare models offer simple installation and maximum flexibility with over 60 different models and extensive options. Choose from 6 different types of fireplaces, each ranging from 25 to 100 inches long and either 16 or 24-inch glass height. Enjoy your Flare as a stunning centerpiece for years to come as all of our models come with a 10-year warranty.

CONTENTS

3-4	Key Features
5-6	Optional Features
7	Outdoor Kit
8	Decorative Media
9-10	Front Facing
11-12	See Through
13-14	Right Corner
15-16	Left Corner
17-18	Double Corner
19-20	Room Definer
21	Picture Key

KEY FEATURES



STYLE CHARACTERISTICS

Six different presentations, each from 25-100 inches long.¹
Standard 16-inch glass height or 24-inch High Glass option available for all models.²
Frameless design.
Residential and commercial use



COOL TOUCH WALL DESIGN

All of our models are designed so surrounding walls stay relatively cool allowing you to hang a TV closer to the fireplace with less insulation, saving you time, money, and effort.



EASY INSTALL AND SERVICE

Telescopic Legs let you easily plan and adjust the fireplace height.
Easy access to the vent restrictor and air shutter allows quick calibration of flame height & color.
Smoke free paint with no burn period.

BURNERS AND GAS

3D Stainless Steel burners creating more depth to the flame.
Multiple burner system allowing the flame to extend closer to the edges.
Electronic Ignition.
Power Adapter and Battery Backup.
Natural Gas or Propane.



CERTIFICATES AND COMPLIANCE

Complying with North American standards³ as well as state requirements in CA, MA, and NY.
High Efficiency ratings.
Certified for use with DuraVent 3x5, 4x6, or 5x8 direct vents.⁴



QUALITY AND COMFORT

Compatible with home automation systems.
Advanced programmable remote control.
Easy to use touch wall switch.
Decorative Media included.
10 year warranty.



¹Room Definer from 45 to 100 inches. ²25 & 30 inch models come with 24-inch high glass.

³ANSI Z21.88 – CSA 2.33 Vented Gas Fireplace Heaters. ⁴depending on model and venting.

OPTIONAL FEATURES

DOUBLE GLASS

Cooled external glass serves as a sleek safety barrier while maintaining the same heat output and efficiency. Frameless corners allow a clear view to the flames. Power venting not required. Suitable for residential and commercial use alike.



LED LIGHTING

Available in multi-colored or warm white options. Remote included.



REFLECTIVE BACK

Let the flame stand out against a black-mirrored ceramic glass background.

WALL TIMER

Simple wall-mounted timer. Available in digital or analog.

TRIM COVER

For a clean surface from the glass to surrounding finish.

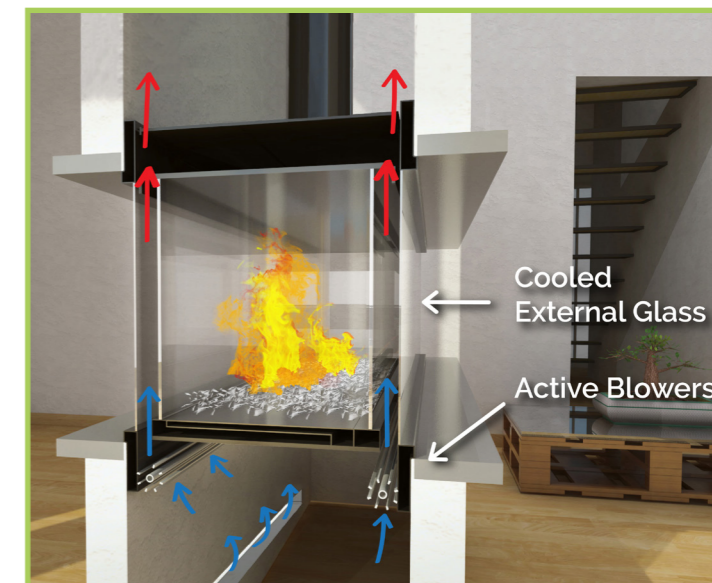
CUSTOM UNITS

Custom lengths and heights for special projects.



BLOWER SYSTEM

The Blower System increases heating efficiency and warm air circulation in the room. Included with our Double Glass units, optional for units with a Safety Screen.



SUMMER KIT

Our Summer Kit reduces overall efficiency and heat output to your home so you can enjoy your Flare fireplace all year long or even in warmer climates. Can be disabled in winter.



POWER VENT

The inline Power Vent allows vent runs of up to 100 feet. Designed for downward or extremely long horizontal runs. The system uses DuraVent 3x5 vents.



OUTDOOR KIT

The Flare Outdoor Kit provides the freedom to enjoy a Flare Fireplace in your favorite setting. Use a Front Facing unit as the perfect centerpiece for your relaxing outside patio. Or install the See Through Fireplace on an external wall for a unique, multi-purpose window.

Our specially designed weatherproof kit comes with the same 10 year warranty as the rest of our line.



Available only for Front Facing and See Through models.

DECORATIVE MEDIA



Reflective Silver Fireglass



Reflective Bronze Fireglass



Reflective Ice Fireglass



Black Ceramic Pebbles



White Ceramic Pebbles



Mixed-size Earth Pebbles



Ceramic Gas Logs



Ceramic Branches



Embers

Not all available options shown

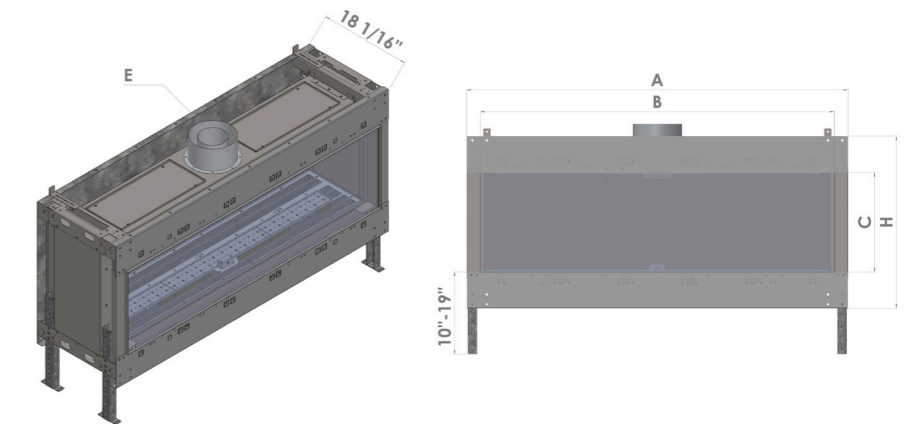
FRONT FACING

Ideal for modern and contemporary rooms, replacing an existing fireplace or as a new installation. Available in two different glass heights and widths ranging from 25 to 100 inches, giving a sleek linear look. Indoor & outdoor options.



SPECIFICATIONS

Model	BTU/hr (max)	BTU/hr (min)	Efficiency
Flare-FF-100	65813	32500	80.3%
Flare-FF-80	57629	31000	79.7%
Flare-FF-70	55583	28000	79.8%
Flare-FF-60	52173	28000	79.2%
Flare-FF-50	46035	22750	79.3%
Flare-FF-45	42966	22000	79.2%
Flare-FF-30	34782	18500	79.5%
Flare-FF-25	30690	17500	79.1%
Flare-FF-100-H	65813	32500	80.2%
Flare-FF-80-H	57629	31000	79.8%
Flare-FF-70-H	55583	28000	79.8%
Flare-FF-60-H	52173	28000	79.5%
Flare-FF-50-H	46035	22750	79.4%
Flare-FF-45-H	42966	22000	79.7%



Model	A	B	C	H	E
Flare-FF-100	101 8/16	97 3/16	16	28	5x8
Flare-FF-80	84 9/16	80 1/16	16	28	5x8
Flare-FF-70	71 15/16	67 11/16	16	28	5x8
Flare-FF-60	62 2/16	57 13/16	16	28	5x8
Flare-FF-50	52 5/16	48	16	28	5x8
Flare-FF-45	45 9/16	41 5/16	16	28	4x6
Flare-FF-30	32 10/16	28 5/16	24	35 14/16	4x6
Flare-FF-25	24 12/16	20 7/16	24	35 14/16	4x6
Flare-FF-100-H	101 8/16	97 3/16	24	35 14/16	5x8
Flare-FF-80-H	84 9/16	80 1/16	24	35 14/16	5x8
Flare-FF-70-H	71 15/16	67 11/16	24	35 14/16	5x8
Flare-FF-60-H	62 2/16	57 13/16	24	35 14/16	5x8
Flare-FF-50-H	52 5/16	48	24	35 14/16	5x8
Flare-FF-45-H	45 9/16	41 5/16	24	35 14/16	4x6

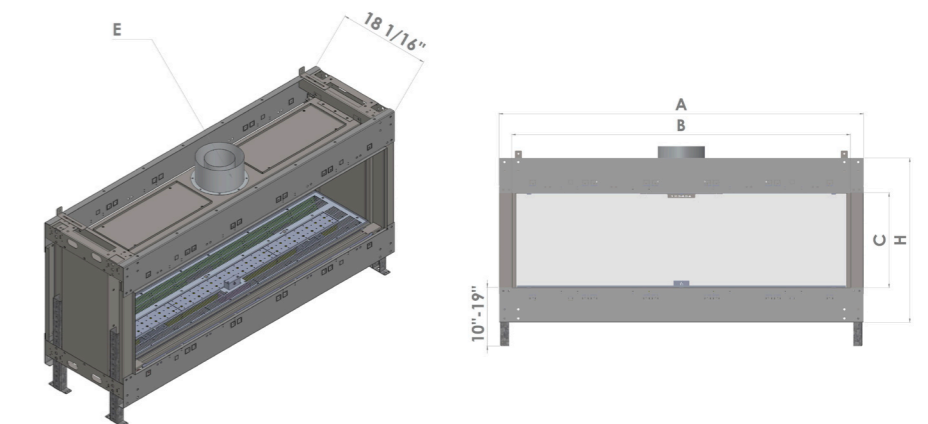
SEE THROUGH

Stylish, minimalist design that allows fireplace viewing from two adjacent rooms. Available in two different glass heights: 16" and 24". Available for indoor and outdoor, perfect for mounting a TV above.



SPECIFICATIONS

Model	BTU/hr (max)	BTU/hr (min)	Efficiency
Flare-ST-100	65813	32500	80.1
Flare-ST-80	57629	31000	79.6
Flare-ST-70	55583	28000	79.4
Flare-ST-60	52173	28000	79.6
Flare-ST-50	46035	22750	79.9
Flare-ST-45	42966	22000	79.2
Flare-ST-30	34782	18500	79.5
Flare-ST-25	30690	17500	79.3
Flare-ST-100-H	65813	32500	80.4
Flare-ST-80-H	57629	31000	79.9
Flare-ST-70-H	55583	28000	79.5
Flare-ST-60-H	52173	28000	79.7
Flare-ST-50-H	46035	22750	79.9
Flare-ST-45-H	42966	22000	79.7



Model	A	B	C	H	E
Flare-ST-100	101 8/16	97 3/16	16	28	5x8
Flare-ST-80	84 9/16	80 1/16	16	28	5x8
Flare-ST-70	71 15/16	67 8/16	16	28	5x8
Flare-ST-60	62 2/16	57 13/16	16	28	5x8
Flare-ST-50	52 5/16	48	16	28	5x8
Flare-ST-45	45 9/16	41 5/16	16	28	4x6
Flare-ST-30	32 10/16	28 5/16	24	35 14/16	4x6
Flare-ST-25	24 12/16	20 7/16	24	35 14/16	4x6
Flare-ST-100-H	101 8/16	97 3/16	24	35 14/16	5x8
Flare-ST-80-H	84 9/16	80 1/16	24	35 14/16	5x8
Flare-ST-70-H	71 15/16	67 8/16	24	35 14/16	5x8
Flare-ST-60-H	62 2/16	57 13/16	24	35 14/16	5x8
Flare-ST-50-H	52 5/16	48	24	35 14/16	5x8
Flare-ST-45-H	45 9/16	41 5/16	24	35 14/16	4x6

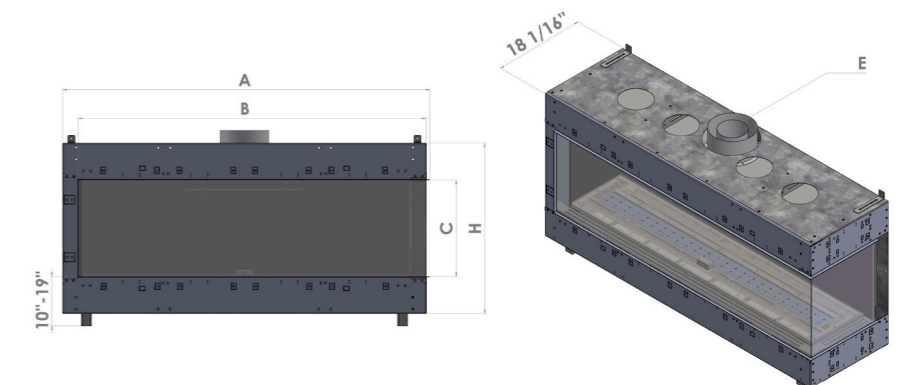
RIGHT CORNER

The corner fireplace allows more viewing angles with its innovating design. The frameless glass corner attracts the eye, making it the center of attention. A luxurious fireplace experience, clean design, superior build quality and features.



SPECIFICATIONS

Model	BTU/hr (max)	BTU/hr (min)	Efficiency
Flare-RC-100	65813	32500	80.5
Flare-RC-80	57629	31000	80.2
Flare-RC-70	55583	28000	79.9
Flare-RC-60	52173	28000	79.8
Flare-RC-50	46035	22750	79.8
Flare-RC-45	42966	22000	79.7
Flare-RC-30	34782	18500	79.4
Flare-RC-25	30690	17500	79.4
Flare-RC-100-H	65813	32500	80.5
Flare-RC-80-H	57629	31000	80.2
Flare-RC-70-H	55583	28000	79.9
Flare-RC-60-H	52173	28000	79.8
Flare-RC-50-H	46035	22750	79.8
Flare-RC-45-H	42966	22000	79.7



Model	A	B	C	H	E
Flare-RC-100	100	97 3/16	16	28	5x8
Flare-RC-80	83 1/16	80 4/16	16	28	5x8
Flare-RC-70	70 8/16	67 10/16	16	28	5x8
Flare-RC-60	60 10/16	57 13/16	16	28	5x8
Flare-RC-50	50 13/16	47 15/16	16	28	5x8
Flare-RC-45	44 2/16	41 4/16	16	28	4x6
Flare-RC-30	31 2/16	28 3/16	24	35 14/16	4x6
Flare-RC-25	23 4/16	20 5/16	24	35 14/16	4x6
Flare-RC-100-H	100	97 3/16	24	35 14/16	5x8
Flare-RC-80-H	83 1/16	80 4/16	24	35 14/16	5x8
Flare-RC-70-H	70 8/16	67 10/16	24	35 14/16	5x8
Flare-RC-60-H	60 10/16	57 13/16	24	35 14/16	5x8
Flare-RC-50-H	50 13/16	47 15/16	24	35 14/16	5x8
Flare-RC-45-H	44 2/16	41 4/16	24	35 14/16	4x6

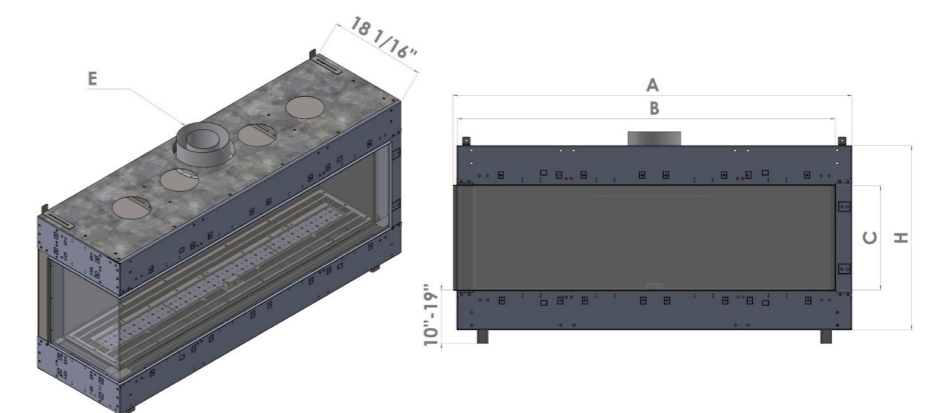
LEFT CORNER

The corner fireplace allows more viewing angles with its innovating design. The frameless glass corner attracts the eye, making it the center of attention. A luxurious fireplace experience, clean design, superior build quality and features.



SPECIFICATIONS

Model	BTU/hr (max)	BTU/hr (min)	Efficiency
Flare-LC-100	65813	32500	80.5
Flare-LC-80	57629	31000	80.2
Flare-LC-70	55583	28000	79.9
Flare-LC-60	52173	28000	79.8
Flare-LC-50	46035	22750	79.8
Flare-LC-45	42966	22000	79.7
Flare-LC-30	34782	18500	79.4
Flare-LC-25	30690	17500	79.4
Flare-LC-100-H	65813	32500	80.5
Flare-LC-80-H	57629	31000	80.2
Flare-LC-70-H	55583	28000	79.9
Flare-LC-60-H	52173	28000	79.8
Flare-LC-50-H	46035	22750	79.8
Flare-LC-45-H	42966	22000	79.7



Model	A	B	C	H	E
Flare-LC-100	100	97 3/16	16	28	5x8
Flare-LC-80	83 1/16	80 4/16	16	28	5x8
Flare-LC-70	70 8/16	67 10/16	16	28	5x8
Flare-LC-60	60 10/16	57 13/16	16	28	5x8
Flare-LC-50	50 13/16	47 15/16	16	28	5x8
Flare-LC-45	44 2/16	41 4/16	16	28	4x6
Flare-LC-30	31 2/16	28 3/16	24	35 14/16	4x6
Flare-LC-25	23 4/16	20 5/16	24	35 14/16	4x6
Flare-LC-100-H	100	97 3/16	24	35 14/16	5x8
Flare-LC-80-H	83 1/16	80 4/16	24	35 14/16	5x8
Flare-LC-70-H	70 8/16	67 10/16	24	35 14/16	5x8
Flare-LC-60-H	60 10/16	57 13/16	24	35 14/16	5x8
Flare-LC-50-H	50 13/16	47 15/16	24	35 14/16	5x8
Flare-LC-45-H	44 2/16	41 4/16	24	35 14/16	4x6

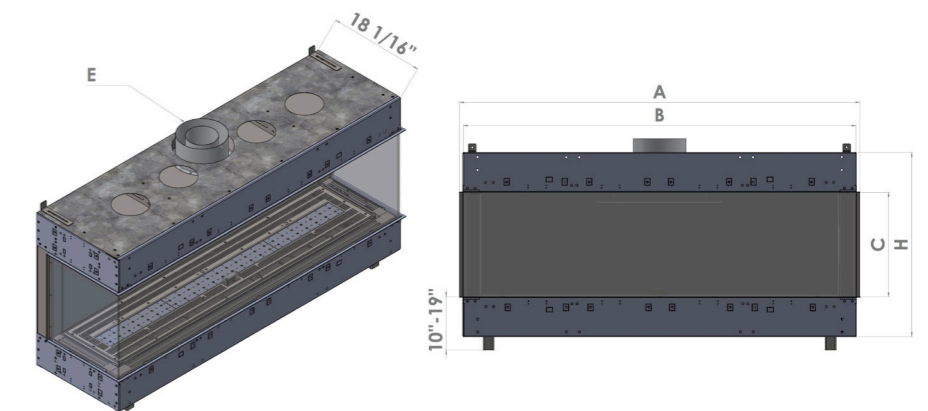
DOUBLE CORNER

An intriguing three-sided view of the fireplace makes the Flare Double Corner exceptionally stylish and practical. The fireplace corners are clean and smooth, possible thanks to Flare's glass to glass technology.



SPECIFICATIONS

Model	BTU/hr (max)	BTU/hr (min)	Efficiency
Flare-DC-100	65813	32500	80.5
Flare-DC-80	57629	31000	80.2
Flare-DC-70	55583	28000	79.9
Flare-DC-60	52173	28000	79.8
Flare-DC-50	46035	22750	79.8
Flare-DC-45	42966	22000	79.7
Flare-DC-30	34782	18500	79.4
Flare-DC-25	30690	17500	79.4
Flare-DC-100-H	65813	32500	80.5
Flare-DC-80-H	57629	31000	80.2
Flare-DC-70-H	55583	28000	79.9
Flare-DC-60-H	52173	28000	79.8
Flare-DC-50-H	46035	22750	79.8
Flare-DC-45-H	42966	22000	79.7



Model	A	B	C	H	E
Flare-DC-100	101 8/16	99 4/16	16	28	5x8
Flare-DC-80	83 9/16	82 9/16	16	28	5x8
Flare-DC-70	71	69 11/16	16	28	5x8
Flare-DC-60	61 2/16	59 14/16	16	28	5x8
Flare-DC-50	51 5/16	50	16	28	5x8
Flare-DC-45	44 10/16	43 5/16	16	28	4x6
Flare-DC-30	31 10/16	30 5/16	24	35 14/16	4x6
Flare-DC-25	23 3/4	22 7/16	24	35 14/16	4x6
Flare-DC-100-H	101 8/16	99 4/16	24	35 14/16	5x8
Flare-DC-80-H	83 9/16	82 9/16	24	35 14/16	5x8
Flare-DC-70-H	71	69 11/16	24	35 14/16	5x8
Flare-DC-60-H	61 2/16	59 14/16	24	35 14/16	5x8
Flare-DC-50-H	51 5/16	50	24	35 14/16	5x8
Flare-DC-45-H	44 10/16	43 5/16	24	35 14/16	4x6

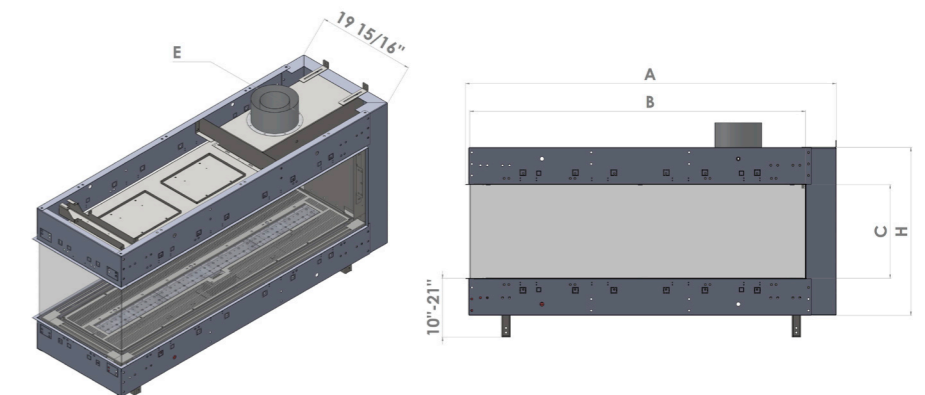
ROOM DEFINER

A stunning peninsula design with a side vent, intended as a room divider. The three glass sides creates an impressive and magnificent way to give character to any living area. The design possibilities are endless.



SPECIFICATIONS

Model	BTU/hr (max)	BTU/hr (min)	Efficiency
Flare-RD-100	65813	32500	80.4
Flare-RD-80	57629	31000	80.1
Flare-RD-70	55583	28000	79.8
Flare-RD-60	52173	28000	79.5
Flare-RD-50	46035	22750	79.5
Flare-RD-45	42966	22000	79.4
Flare-RD-100-H	65813	32500	80.4
Flare-RD-80-H	57629	31000	80.1
Flare-RD-70-H	55583	28000	79.8
Flare-RD-60-H	52173	28000	79.5
Flare-RD-50-H	46035	22750	79.5
Flare-RD-45-H	42966	22000	79.4



Model	A	B	C	H	E
Flare-RD-100	102 12/16	96 12/16	16	28 12/16	5x8
Flare-RD-80	86	80	16	28 12/16	5x8
Flare-RD-70	73 4/16	65 12/16	16	28 12/16	5x8
Flare-RD-60	63 6/16	55 14/16	16	28 12/16	5x8
Flare-RD-50	53 9/16	46 1/16	16	28 12/16	5x8
Flare-RD-45	46 15/16	40 15/16	16	28 12/16	5x8
Flare-RD-100-H	102 12/16	96 12/16	24	36 10/16	5x8
Flare-RD-80-H	86	80	24	36 10/16	5x8
Flare-RD-70-H	73 4/16	65 12/16	24	36 10/16	5x8
Flare-RD-60-H	63 6/16	55 14/16	24	36 10/16	5x8
Flare-RD-50-H	53 9/16	46 1/16	24	36 10/16	5x8
Flare-RD-45-H	46 15/16	40 15/16	24	36 10/16	5x8



PICTURE KEY

Covers Front Facing 80"
with 24" High Glass

Page 1 Double Corner 25"
See Through 30"
Double Corner 45"
Room Definer 45"

Page 3 Front Facing 50"
Double Corner 45"
Room Definer 45"

Page 4 See Through 30"

Page 5 Front Facing 80"
with High Glass
and Outdoor Kit

Page 7 Front Facing 50"
with Outdoor Kit

Page 9 Front Facing 50"

Page 11 See Through 80"

Page 13 Right Corner 70"

Page 15 Left Corner 45"

Page 17 Double Corner 50"

Page 19 Room Definer 80"

Page 22 Front Facing 80"
with 24" High Glass





DuraVent
Member of M&G Group



FLARE
FIREPLACES

Frameless Is More

Flare Fireplaces LLC
1406 Capital Avenue Suite 104
Plano, TX 75074

Phone/ Fax: 1-866-639-1590

flarefireplaces.com