

PAXFOCUS OUTDOOR WALL MOUNTED FIREPLACE



European Home

Manufacturer and Importer of high-end Gas, Wood and Electric Fireplaces



Iconic designs imported from Southern France



SPECIFICATIONS

FUEL TYPE	Wood
VIEWABLE OPENING	28 ¾" W x 9 ¼" H
HEARTH WEIGHT	112 lbs.
FLUE WEIGHT	11 lbs.
ANCHOR PLATE WEIGHT	22 lbs.
VENTING	Natural Vent - 8" Inside Diameter (Class A Pipe)
FINISH	Anti-Corrosion Black (Standard) or Hematite Rust (Optional)

PRODUCT OPTIONS & ACCESSORIES

FIREPLACE MODEL

AVAILABLE IN BLACK (STANDARD) OR HEMATITE RUST (OPTIONAL)

PRODUCT	ITEM CODE
PAXFOCUS	FCS-WD-OD-PAX

FINISHING PLATE / COVER DISK WITH COLLAR

PRODUCT	ITEM CODE
For Flat Ceiling	FCS-NSUSCD-02
For Pitched Ceiling	FCS-NSUSCD-03

ADDITIONAL FLUE PIPE

PRODUCT	ITEM CODE
Round Flue 8" OD 2' Length	FCS-FLUE-RND-8OD-2
Round Flue 8" OD 4' Length	FCS-FLUE-RND-8OD-4
Round Flue 8" OD 6' Length	FCS-FLUE-RND-8OD-6

OPTIONAL ACCESSORIES

PRODUCT	ITEM CODE
BLACK SPRAY PAINT	FCS-PT-FBP-02

CUT SHEET



Steel Flue

Ø 213/219

8.38" / 8.62"



Attachment Plate



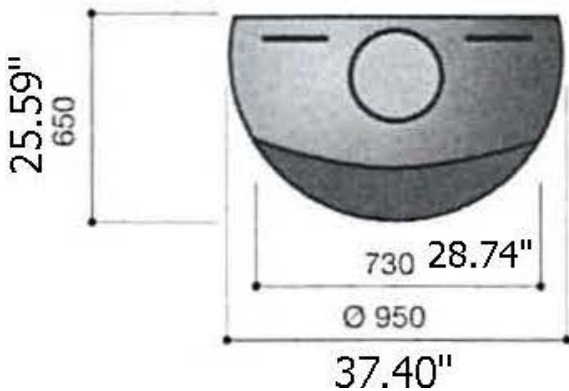
Centering Screws



Grate



Ash Removal Hatch



Installation Manual