

Paxfocus

Design Installation & Operating Manual v.4 EN
Tested by OMNI-Test Laboratories, Inc. and approved to
UL 737-2011 & ULC S627-00



OMNI-Test Laboratories, Inc.

Report Number: 304-F-13-2

US EPA exempt



this document was packed with the appliance.

KEEP THESE INSTRUCTIONS FOR FUTURE USE

1 – INTRODUCTION

2 – SPECIFICATIONS

- a) Characteristics
- b) Roof outlet requirement
- c) Chimney requirement
- d) Structural requirement
- e) Connectors
- f) Fresh air intake
- g) Clearances to combustibles

3 – INSTALLATION

- a) Included parts, materials and required tools for installation
- b) Options
- c) Assembly details
- d) Stainless steel chimney systems : cover disc setup and connection

4 – OPERATING INSTRUCTIONS

- a) Storage/use of flammable liquids
- b) Grate
- c) Ashes
- d) Fuel
- e) Before lighting your first fire
- f) Building, starting and maintaining the fire
- g) Protective glove

5 – MAINTENANCE

- a) Taking out the ashes
- b) Inspection, maintenance and cleaning of the chimney
- c) Surfaces
- d) Replacement parts

6 – WARRANTY

1 – INTRODUCTION:

Please read this entire manual before you install and use your focus fireplace. Failure to follow instruction may result in property damage, bodily injury or even death. When this room heater is not properly installed, a house fire may result. To reduce the risk of fire, follow the installation instructions. Contact local building or fire officials about restrictions and installation inspection requirements in your area.

KEEP THIS MANUAL HANDY FOR EASY REFERRAL.

All warning and caution statements will appear in bold font and upper case letters: **THEY SHOULD BE STRICTLY OBSERVED.**

Thank you for choosing focus fireplaces.

Appliance designation: *paxfocus*

Manufacturer: *focus - atelier dominique imbert – le fort – 34380 viols le fort – France.*

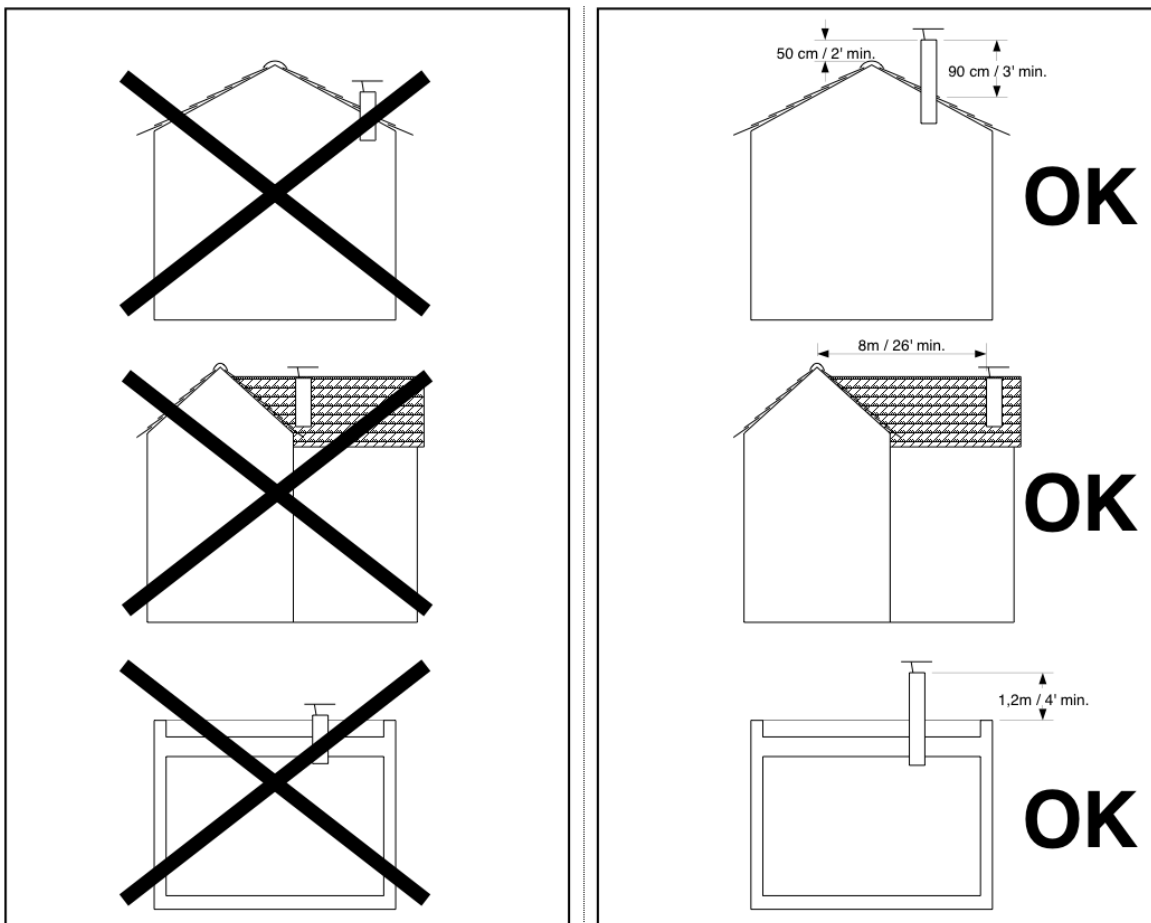
2 – SPECIFICATIONS:

- NOT FOR MOBILE HOME OR EXTERIOR INSTALLATION!
- DO NOT CONNECT TO ANY AIR DISTRIBUTION DUCT OR SYSTEM!
- THE AUTHORITY HAVING JURISDICTION (SUCH AS MUNICIPAL BUILDING DEPARTMENT, FIRE DEPARTMENT, FIRE PREVENTION BUREAU, ETC.) SHOULD BE CONSULTED BEFORE INSTALLATION TO DETERMINE THE NEED TO OBTAIN A PERMIT.
- USING MAKE-SHIFT COMPROMISES DURING INSTALLATION CAN CAUSE DAMAGE . SUCH INSTALLATION IS NOT COVERED UNDER FOCUS LIMITED WARRANTY.
- WHEN THIS ROOM HEATER IS NOT PROPERLY INSTALLED, A HOUSE FIRE MAY RESULT. TO REDUCE THE RISK OF FIRE, FOLLOW THE INSTALLATION INSTRUCTIONS. CONTACT LOCAL BUILDING OR FIRE OFFICIALS ABOUT RESTRICTIONS AND INSTALLATION INSPECTION REQUIREMENTS IN YOUR AREA.

a) Characteristics:

- Hearth weight: 51 kg (112 lbs)
- Flue diameter: 219 mm (8-5/8 inch); length custom made
- Flue weight: 16kg per meter (11 lbs per foot)
- Wall anchor plate weight: approx. 10 kg (22 lbs)
- 3 & 2.5 mm (1/8-inch) thick steel
- High heat resistant matte black paint
- Guaranteed efficiency with a minimum flue length (interior and exterior) of 3.00m (10 feet)

b) Roof outlet requirement:



c) Chimney requirement:

DO NOT CONNECT THIS UNIT TO A CHIMNEY FLUE SERVING ANOTHER APPLIANCE!

Paxfocus requirement: the floor to top of chimney must be 16 feet minimum (5 m) or 19 feet (5,8 m) for an installation less than 3 miles from the ocean or if a 30° elbow is necessary). Elbows should not be more inclined than 30° from vertical, and with maximum number of 2. Maximum inside + outside height (without use of a fan) : 30 feet.

Paxfocus can be connected to a chimney complying with the requirements for Type HT chimneys in the standard for Chimneys, Factory-built, Residential Type and Building Heating Appliance, UL 103. For example, a class A insulated stainless steel flue chimney system with an 8-inch minimum inside diameter.

d) Structural requirement:

CAUTION: THE SUPPORTS OF THIS UNIT (THE WALL) MUST BE SIZED IN CONGRUENCE WITH THE FIREPLACE STATIC AND DYNAMIC CHARGES (WEIGHT). THE SIZE CALCULATION FOR THE SUPPORT IS NOT THE RESPONSIBILITY OF FOCUS OR ITS AFFILIATES. IT IS YOUR RESPONSIBILITY TO CONSULT WITH AN ENGINEER OR ARCHITECT FOR YOUR PROJECT.

e) Connectors:

Connectors are all non-insulated chimney parts including focus black flue, focus 8" universal adaptor and the chimney manufacturer single wall slip connector.

To avoid heat traps the chimney connector shall not pass through an attic or roof space, closet or similar concealed space, or a floor, or ceiling.

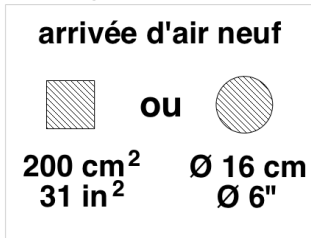
Passage through an attic, roof frame floor, or ceiling must be done using an insulated chimney respecting all chimney manufacturer clearances.

CAUTION: PASSAGE THROUGH A WALL OR PARTITION OF COMBUSTIBLE CONSTRUCTION IS NOT AN APPROPRIATE INSTALLATION FOR THIS FOCUS FIRE.

Refractory compound must be used to seal each connection. Connectors should always be in good condition and kept clean. Minimum thickness : 1/32" (1 mm). Please refer to installation details in this manual.

f) Fresh air intake:

To balance room air pressure with outdoors air pressure, focus recommends a fresh air intake in the room (ideally emerging under of the fire bowl). Fresh air intake shall only take combustion air from outdoors. We recommend deflect-O A0684 semi rigid aluminium duct. Minimum fresh air intake size:

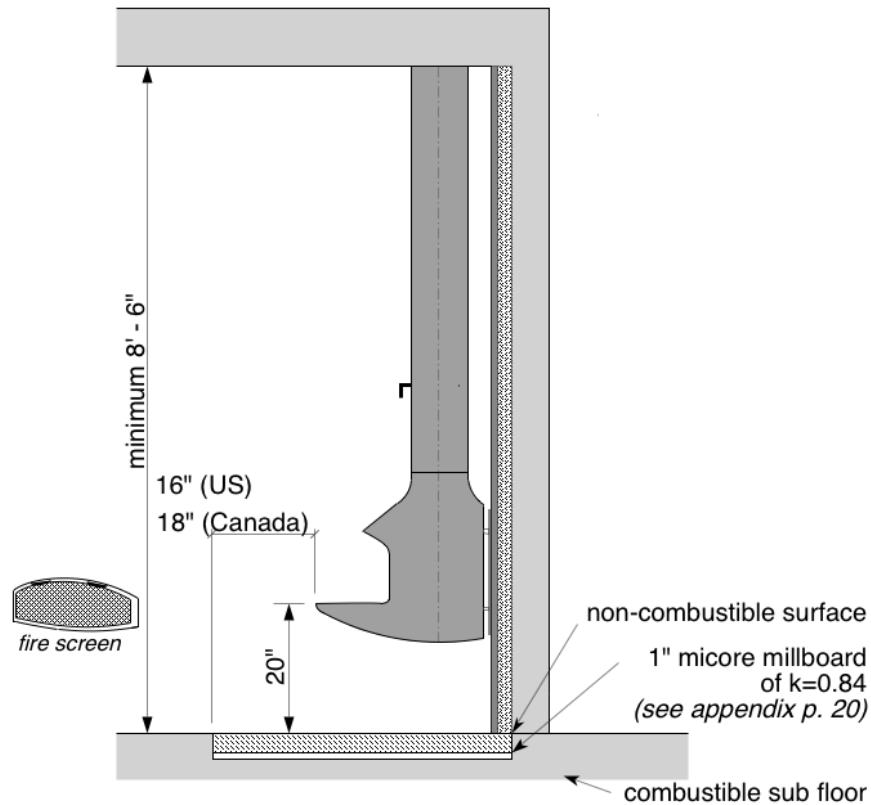


Important: this fresh air intake is compulsory when operating venting appliances such as kitchen hoods, permanent air extractors or any appliances creating an air depression in the habitation. A lack of air intake may alarm smoke detectors.

g) Clearances to combustibles:

- Clearances to floor and ceiling:

MINIMUM FLOOR TO CEILING HEIGHT: 8' 6".



- Clearances to back wall:

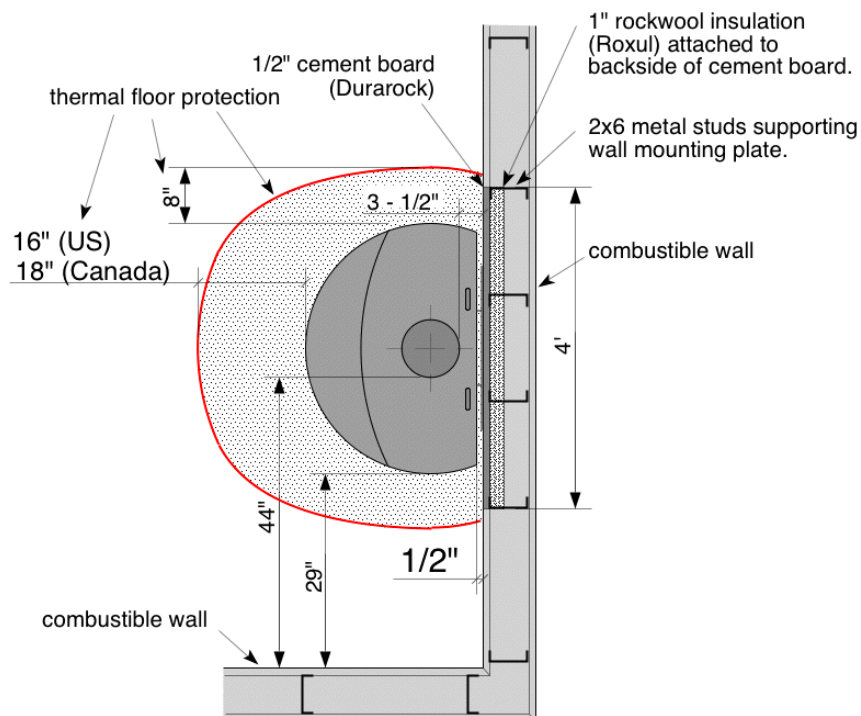
FIREPLACE CAN BE AFFIXED DIRECTLY AGAINST THE WALL.

BACK WALL MUST BE INSULATED FROM FLOOR TO CEILING WITH 1/2" CEMENT BOARD AND 1" ROCK WOOL. SUPPORTING STUDS MUST ALSO BE NON-COMBUSTIBLE.

BACK WALL PROTECTION REQUIRES TO EXTEND 24" TO EITHER SIDE OF THE CENTERLINE OF THE UNIT.

- Clearances to side walls:

CAUTION: THE DISTANCE TO A COMBUSTIBLE SIDE WALL MUST BE MAINTAINED AT 29" FROM THE SIDE PANEL OF THE FIREPLACE. PROPERTY DAMAGE OR DEATH CAN OCCUR IF THIS DISTANCE IS NOT MAINTAINED. DRYWALL PRODUCTS LINED WITH PAPER SUCH AS SHEETROCK ARE COMBUSTIBLE. CLEARANCES AS INDICATED FURTHER APPLY.



Important - manufacturer specifications:

- To avoid premature aging of your painted walls, only use mineral or acrylic paints. With other paints, above clearances apply.
- Fire clearance from window glass or combustible frame (eg. Vinyl): refer to window technical specifications.

CLEARANCES MAY ONLY BE REDUCED BY MEANS APPROVED BY THE REGULATORY AUTHORITY.

3 – INSTALLATION:

a) Included parts, materials and required tools for installation:

-Appliance and designated parts are : hood, support bar (for installation purpose only), insulated hearth plate, black steel flue pipe, 3 curved glass panels, cold handle, and focus kit (heat protective glove, mounting gloves, can of touch-up paint, manual).

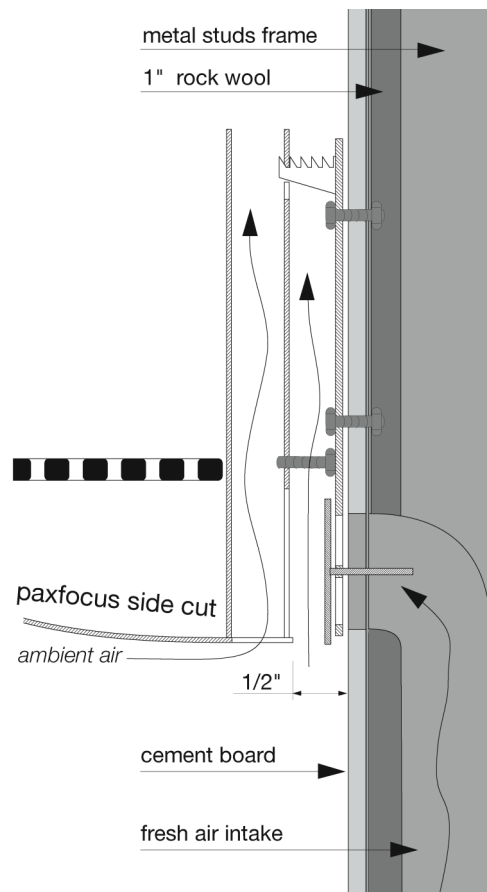
-Required tools: drill, M8 Allen key, level, screwdrivers, M12 key, scaffolding (up to under ceiling height), refractory compound.

-2 persons minimum are required for installation.

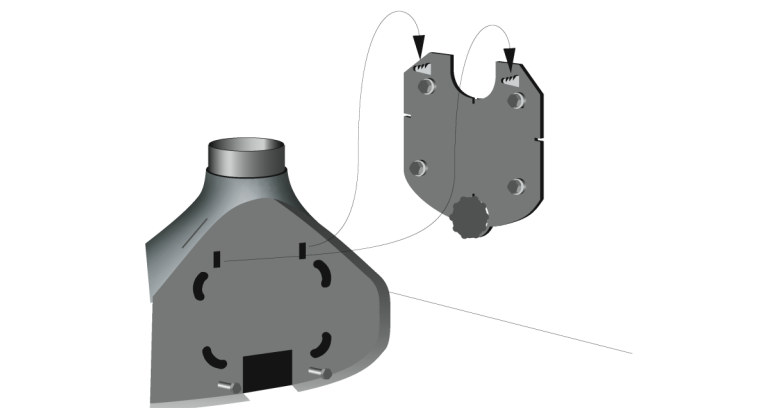
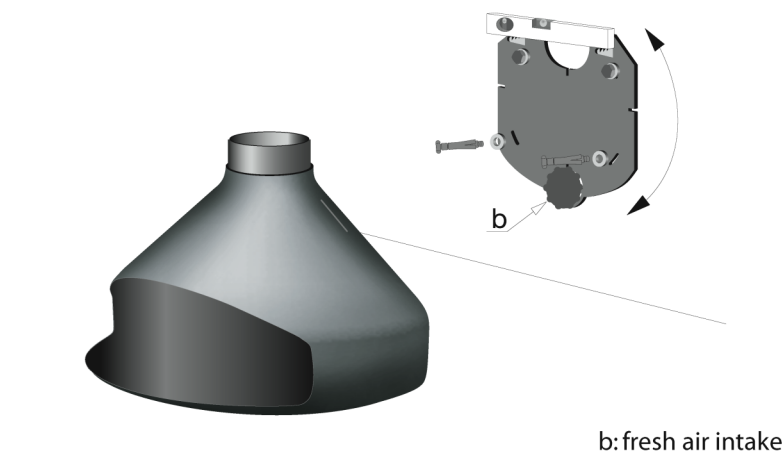
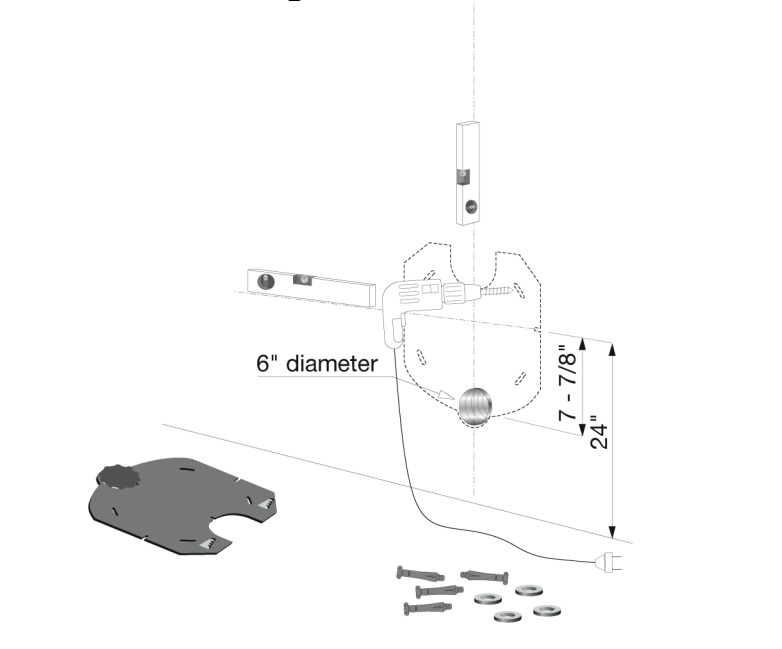
b) Options:

- custom ceiling cover disc (steel disc)
- focus black steel flue extension
- grey paint finish

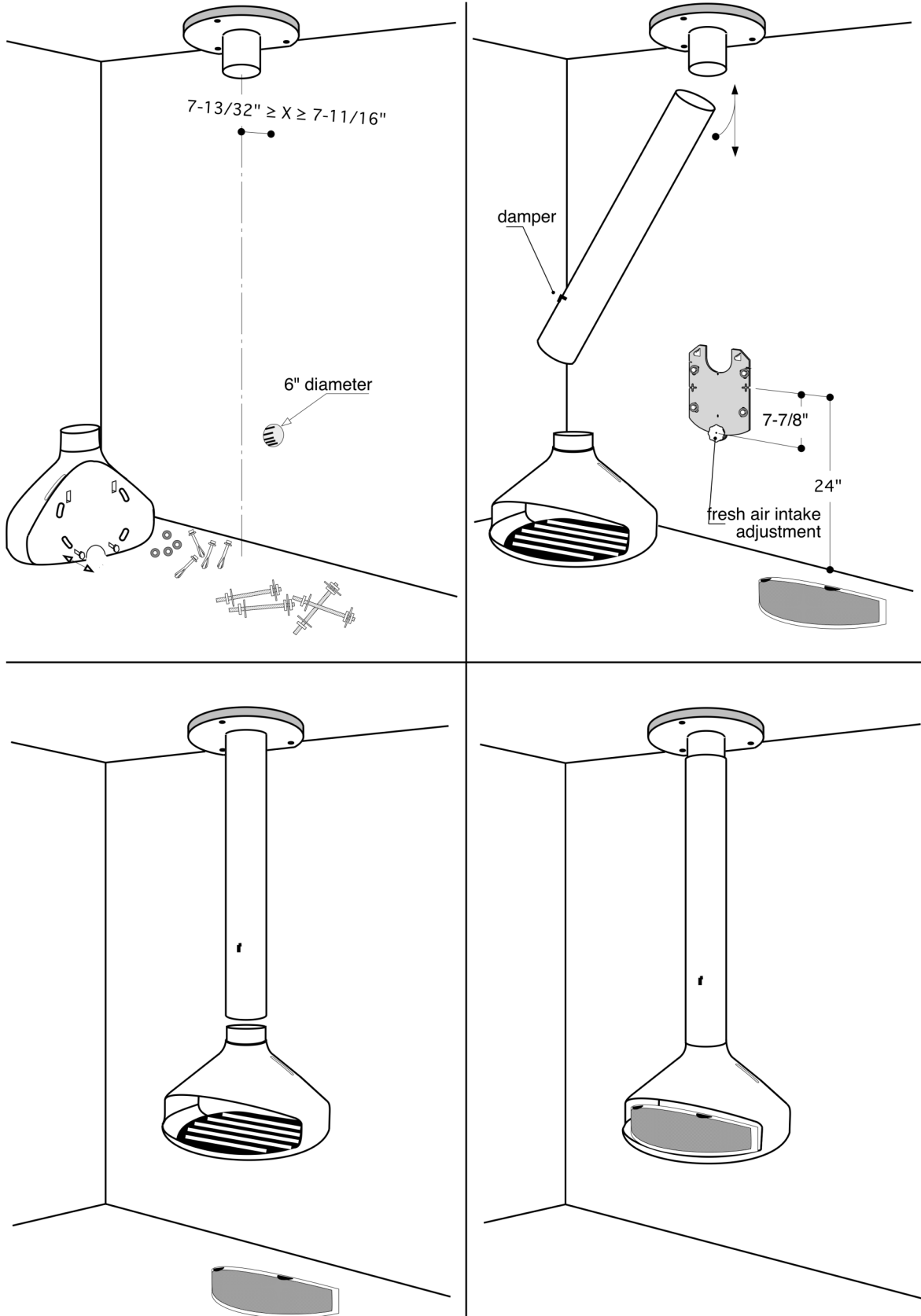
- side cut plate detail:



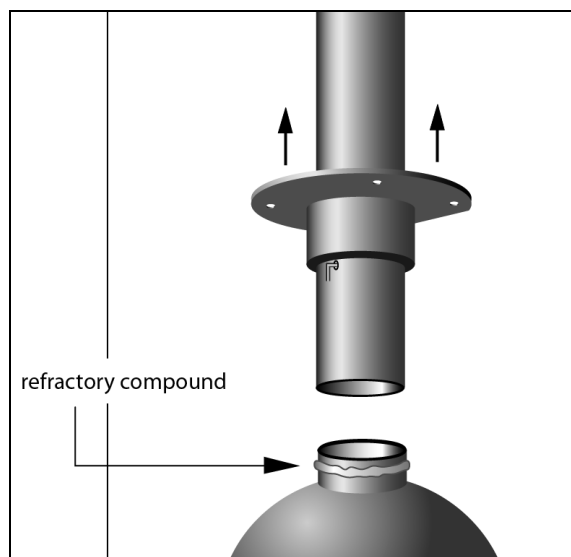
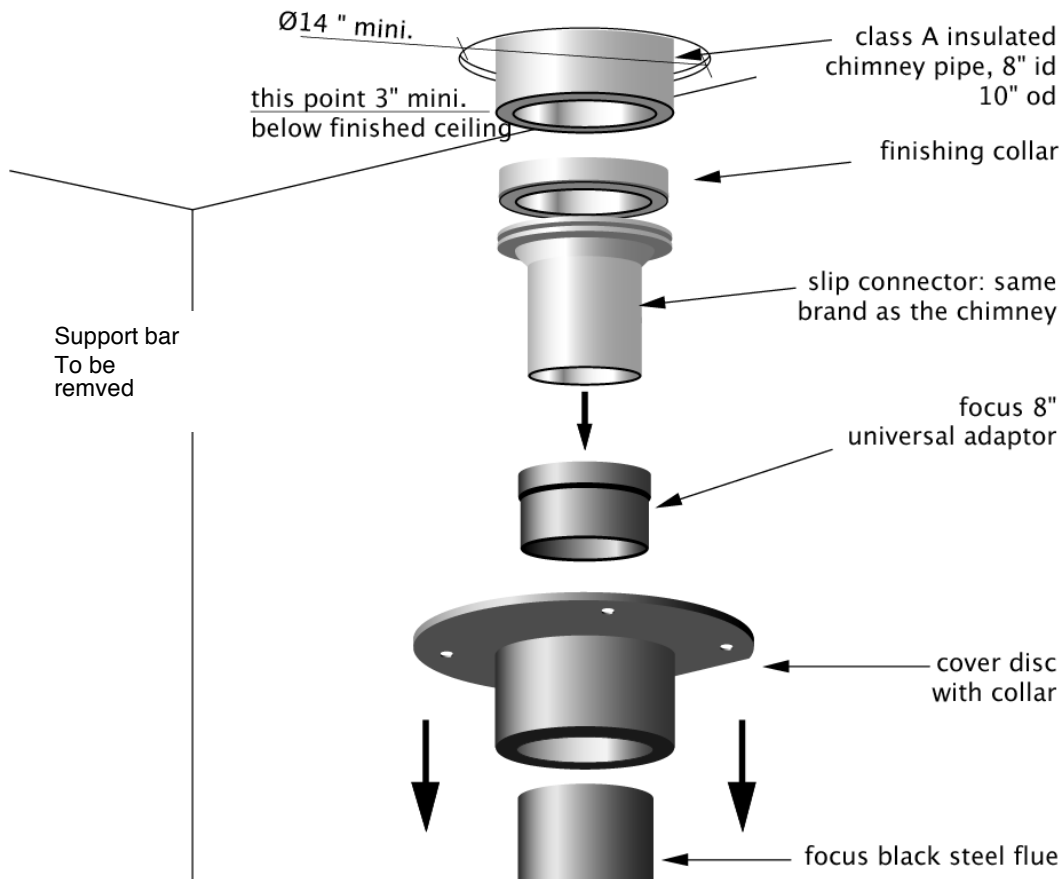
c) Assembly details : wall mounting installation:



- black flue installation:



d) stainless steel chimney system : cover disc setup and connection:



Hearth extentions must be installed only as illustrated

4 – OPERATING INSTRUCTIONS:

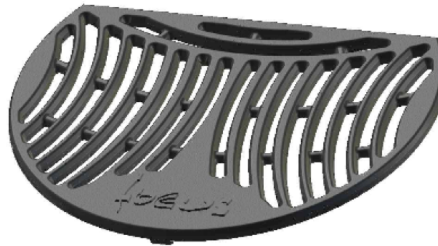
CAUTION: HOT WHILE IN OPERATION. KEEP CHILDREN, CLOTHING AND FURNITURE AWAY. CONTACT MAY CAUSE SKIN BURNS.

a) Storage/use of flammable liquids:

Never use chemicals or fluids, gasoline, gasoline-type lantern fuel, kerosene, charcoal lighter fluid, or similar liquids to start or « freshen up » a fire in this heater. Keep all such liquids well away from the heater while it is in use.

b) Grate :

The cast iron grate item is located inside the fireplace. It must not be removed except for cleaning, once all cinders have thoroughly cooled. Fire must only be built on the grate.



c) Ashes:

DISPOSAL OF ASHES – ASHES SHOULD BE PLACED IN A METAL CONTAINER WITH A TIGHT FITTING LID. THE CLOSED CONTAINER OF ASHES SHOULD BE IMMEDIATELY PLACED OUTDOORS ON A NON-COMBUSTIBLE FLOOR OR ON THE GROUND, WELL AWAY FROM ALL COMBUSTIBLE MATERIALS, PENDING FINAL DISPOSAL. IF THE ASHES ARE DISPOSED OF BY BURIAL IN SOIL OR OTHERWISE LOCALLY DISPERSED, THEY SHOULD BE RETAINED IN THE CLOSED CONTAINER UNTIL ALL CINDERS HAVE THOROUGHLY COOLED.

d) Fuel:

CAUTION: DO NOT BURN GARBAGE OR FLAMMABLE FLUIDS SUCH AS GASOLINE, NAPHTHA OR ENGINE OIL. DO NOT STORE THE FUEL WITHIN THE SPACE HEATER INSTALLATION CLEARANCES OR WITHIN THE SPACE REQUIRED FOR CHARGING AND ASH REMOVAL.

Only burn dry, natural, untreated well-seasoned wood. Wood moisture content should not be more than 20%. We recommend using 2 year dry stored wood.

For the best efficiency use a covered storage. Hazards may occur with some fuels (e.g., charcoal). Such fuels may generate dangerous gas like carbon monoxide.

WARNING :

WARNING: THIS FIREPLACE HAS NOT BEEN TESTED FOR USE WITH DOORS, TO REDUCE THE RISK OF FIRE INJURY, DO NOT INSTALL DOORS!

e) Before lighting your first fire:

For all focus models it is necessary to clean off (with a damp sponge and/or a dry cloth) any dirt collected during transport or installation.

Actual scratches on painted designs can be retouched solely with the expressly provided focus can. If this is necessary, ventilate the area thoroughly before lighting your fire to disperse any fumes generated in the spraying process.

The first fire should be a modest one; do not use packing material or pallet wood for fuel.

The paint finish we use, oven baked at 250°C for 30 minutes, is thermo-plastic. Because of the very gradual polymerisation of the components, the unit may give off a light smoke the first few times the fire is lit. The painted surfaces nearest the fire may, while hot, acquire a certain viscosity, or slight stickiness perceptible to the touch.

We advise therefore:

- not to be alarmed at possible smoking or residual odors. This is normal on the first fires and will rapidly subside.
- not to touch, rub or try to clean the fireplace while it is still hot.

To avoid thermal shocks, we strongly advise against throwing buckets of water on a very vigorous fire to try to put it out.

f) Building, starting and maintaining the fire:

DO NOT OVERLOAD YOUR FOCUS FIREPLACE TO AVOID OVER-FIRING.

Build the fire without elevating it, directly on the fire-dogs, not too close to the glasses. For starting the fire, we recommend using a small amount of fire starter with enough kindling (small logs or mill ends) to establish a primary fire. Fresh air intake must be fully open (pull the handle towards you) as for damper (handle vertical).

After a few minutes, and making sure the primary fire is well started, add larger wood (between 3 and 7 pieces, depending on their size), directly on top, making sure not to smother the fire. Leave some spaces between the logs for air intake. Adapt air intake and damper position in order to avoid spillage. Always fully open the damper and air intake before opening the door.

To maintain or refuel your fire, add when needed (see note), a few larger logs.

Note: For the same weight of fuel, 10 logs will burn more intensely (and faster) than 3 logs, but you will get the same heat power at the end. The log size you buy will determine the heating and refueling time.

g) Protective glove:

The use of the focus special protective glove supplied with our models is required upon handling the cold handle, damper, fresh air controls, fire-dogs, etc.

5 – MAINTENANCE:

a) Taking out the ashes:

CAUTION: BE SURE THE FIRE IS OUT AND THE FIREPLACE BODY COLD BEFORE REMOVING ASHES!

To remove ashes we recommend to remove the grate and use a brush and a shovel. Dispose of ashes in an appropriate ash container (not supplied). After cleaning, be sure to secure the fireplace properly!

CAUTION : DO NOT LIGHT A FIRE WITH GRATE REMOVED, AS THIS WILL PRODUCE OVER-FIRING OR HOUSE FIRE. DAMAGE CAUSED FROM NON-OBSERVANCE OF THIS CAUTION IS NOT COVERED UNDER FOCUS LIMITED WARRANTY.

b) Inspection, maintenance and cleaning of the chimney:

CAUTION: CHEMICAL SWEEP NOT PERMITTED: ONLY MECHANICAL SWEEP ALLOWED!

Referring to focus black steel flue : it must absolutely be swept with a nylon brush. Never use metal brushes! Damage caused from non-observance of this caution is not covered under the focus limited warranty.

Referring to chimney pipe : Creosote formation and need for removal:

When wood is burned slowly, it produces tar and other organic vapors, which combine with expelled moisture to form creosote. The creosote vapors condense in the relatively cool chimney flue of a slow-burning fire. As a result, creosote residue accumulates on the flue lining. When ignited, this creosote makes an extremely hot fire. The chimney and chimney connector should be inspected at least once every two months during the heating season to determine if a creosote buildup has occurred. If a significant layer of creosote has accumulated (3mm or more) it should be removed to reduce the risk of a chimney fire.

In that case, call a professional chimney sweeper or buy a brush at your local focus retailer and clean the chimney this way :

Remove rain cap, use appropriately sized brush and sweep the entire system to remove all debris or refer to chimney manufacturer recommendations.

Communicate with the authorities (municipal, regional or provincial fire protection agency) to obtain all instructions concerning the measures to be taken when or before there is a risk of chimney fire.

Keep firing and de-ashing doors closed and maintain all seals in good condition.

c) Surfaces:

CAUTION: DO NOT SCRUB!

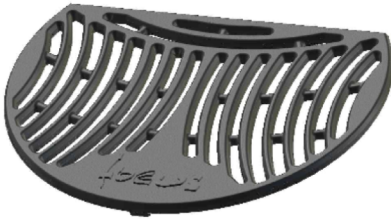
The outer surfaces can be wiped with a soft, dry rag (making sure the metal is cool).

For continued use of the touch-up paint can following its initial usage, invert the focus can (spray head down) and spray into a balled up newspaper until the can sprays clear. Clean the spray can bottom with a dry rag and store out of the reach of children.

d) Replacement parts:

DO NOT USE SUBSTITUTE MATERIALS.

- Grate :



- Cold handle :



- Touch-up can :



6 – WARRANTY:

All of our focus models are guaranteed against any defect in design, construction, or manufacture, and guaranteed to function properly for 5 years from date of order. Our product guarantees are applicable only when our fireplaces have been installed with respect to all local building codes and with strict attention to the technical details outlined in our Plan Study as well as our installation, maintenance, and user's manuals. Our guarantees exclude accidental damages such as those occurring during transport without written notification upon receipt, damages incurred during installation, and damages resulting from improper use.

Appendix.

How to determine if alternate floor protection materials are acceptable.

All floor protection must be non-combustible (i.e., metals, brick, stone, mineral fiber boards, etc.). Any organic materials (i.e., plastics, wood paper products, etc.) are combustible and must not be used. The floor protection specified includes some form of thermal designation such as R-value (thermal resistance) or k-factor (thermal conductivity).

PROCEDURE:

1. Convert specification to R-value:

i. R-value given - no conversion needed.

ii. k-factor is given with a required thickness (T) in inches:

$$R = \frac{1}{k} \times T$$

iii. K-factor is given with a required thickness (T) in inches:

$$R = \frac{1}{K \times 12} \times T$$

iv. r-factor is given with a required thickness (T) in inches:

$$R = r \times T$$

2. Determine the R-value of the proposed alternate floor protector.

i. Use the formula in step (1) to convert values not expressed as "R".

ii. For multiple layers, add R-values of each layer to determine overall R-value.

3. If the overall R-value of the system is greater than the R-value of the specified floor protector, the alternate is acceptable.

EXAMPLE: The specified floor protector should be 3/4-inch thick material with a k-factor of 0.84. The proposed alternate is 4" brick with an r-factor of 0.2 over 1/8" mineral board with a k-factor of 0.29.

Step (a): Use formula above to convert specification to R-value.

$$R = \frac{1}{k} \times T = \frac{1}{0.84} \times 0.75 = 0.893$$

Step (b): Calculate R of proposed system.

4" brick of r = 0.2, therefore:

$$R_{\text{brick}} = 0.2 \times 4 = 0.431$$

1/8" mineral board of k = 0.29, therefore

$$R_{\text{mineral board}} = \frac{1}{0.29} \times 0.125 = 0.431$$

$$R_{\text{total}} = R_{\text{brick}} + R_{\text{mineral board}} = 0.8 + 0.431 = 1.231$$

Step (c): Compare proposed system R_{total} of 1.231 to specified R of 0.893. Since proposed system R_{total} is greater than required, the system is acceptable.

DEFINITIONS:

$$R = \frac{(\text{ft}^2)(\text{hr})(^\circ\text{F})}{\text{Btu}} \quad k = \frac{(\text{Btu})(\text{in})}{(\text{ft}^2)(\text{hr})(^\circ\text{F})} = K \times 12 \quad K = \frac{(\text{Btu})(\text{ft})}{(\text{ft}^2)(\text{hr})(^\circ\text{F})} \quad r = \frac{(\text{ft}^2)(\text{hr})(^\circ\text{F})}{(\text{Btu})(\text{in})} = \frac{1}{k}$$

FOCUS

