

NEOFOCUS 1500 & 1800 LINEAR FIREPLACE



European Home

Manufacturer and Importer of high-end Gas, Wood and Electric Fireplaces



Iconic designs imported
from Southern France



SPECIFICATIONS

FUEL TYPE	Wood
NOMINAL HEAT OUTPUT (Wood)	7 KW
CARBON DIOXIDE OUTPUT (Wood)	0.09%
VIEWABLE OPENING	1500 - 13 ¾" W x 59" H 1800 - 13 ¾" W x 71" H
NEOFOCUS 1500 WEIGHT	407 lbs.
NEOFOCUS 1800 WEIGHT	452 lbs.
VENTING	Natural Vent - 12" Inside Diameter (Class A Pipe)
CERTIFICATION	UL 737-2011 (U.S.A.) & ULC-S610-M87 (CAN) - Vented Wood Fireplaces
EFFICIENCY	52.1%

PRODUCT OPTIONS & ACCESSORIES

FIREPLACE MODEL

PRODUCT	ITEM CODE
NEOFOCUS 1500	FCS-WD-NEO-1500
NEOFOCUS 1800	FCS-WD-NEO-1800

OPTIONAL ACCESSORIES

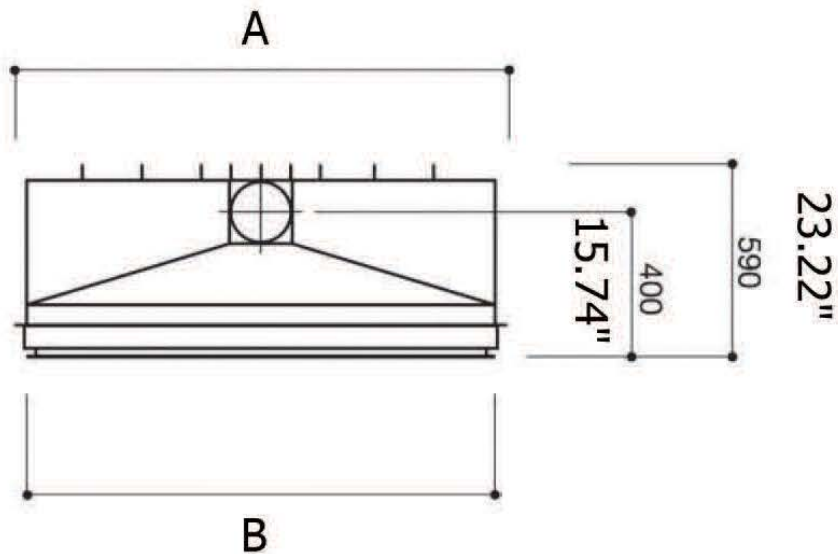
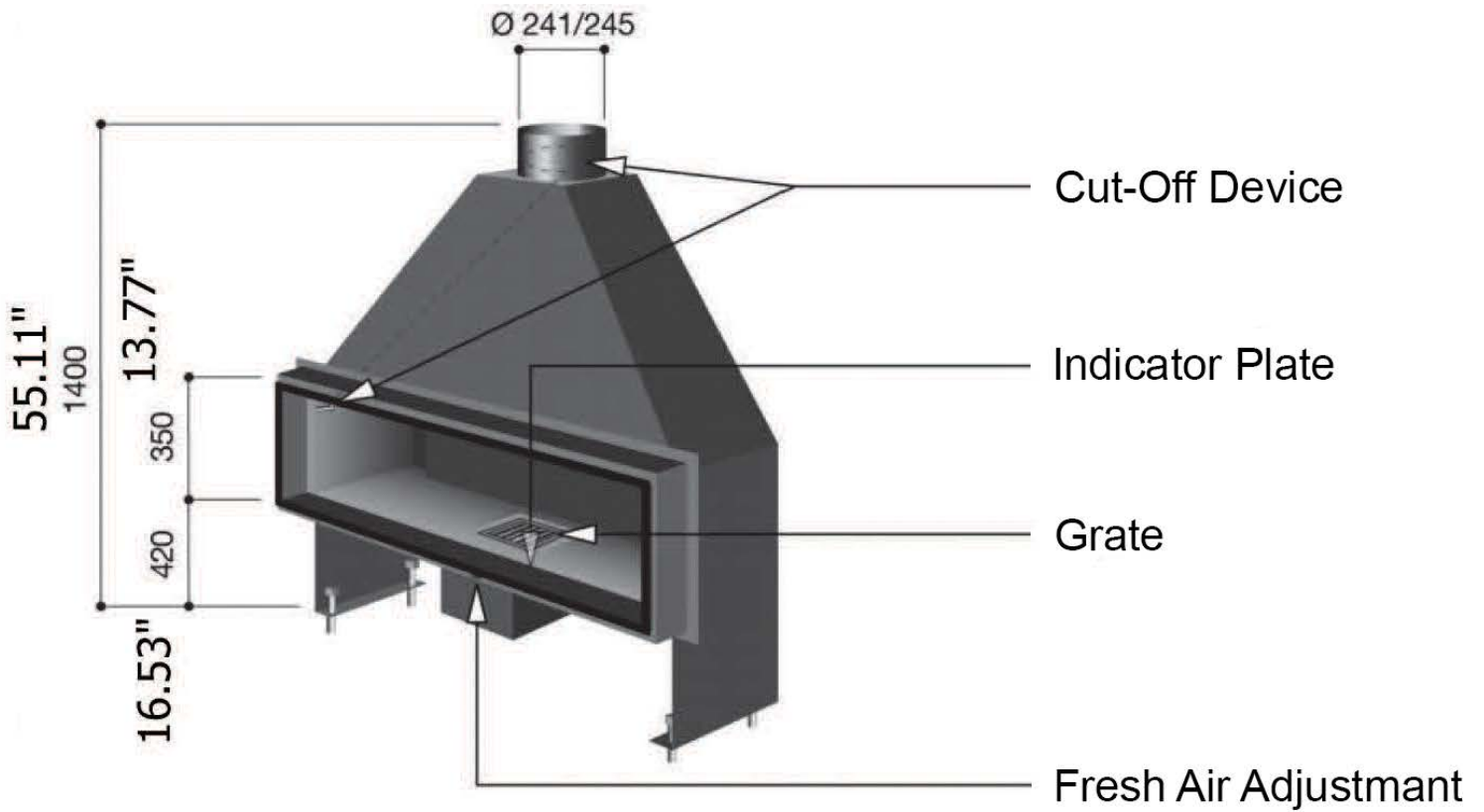
PRODUCT	ITEM CODE
BLACK SPRAY PAINT	FCS-PT-FBP-02

ADDITIONAL FLUE PIPE

PRODUCT	ITEM CODE
Round Flue 12" OD 2' Length	FCS-FLUE-RND-12OD-2
Round Flue 12" OD 4' Length	FCS-FLUE-RND-12OD-4
Round Flue 12" OD 6' Length	FCS-FLUE-RND-12OD-6

CUT SHEET

9.48"/9.64"



Dimensions Neo 1500:

A: 61-13/16"

B: 59-1/16"

Dimensions Neo 1800:

A: 73-5/8"

B: 70-7/8"