

Mezzofocus
Design Installation & Operating Manual v.1.5 EN
Tested by OMNI-Test Laboratories, Inc. and approved to
UL 737-2011 and ULC-S627-00

Tested &
Listed By  Portland
Oregon USA
C US
OMNI-Test Laboratories, Inc.
Report Number: 0304WF014S
US EPA exempt



this document was packed with the appliance.
KEEP THESE INSTRUCTIONS FOR FUTURE USE

TABLE OF CONTENTS:

1 – INTRODUCTION

2 – SPECIFICATIONS

- a) Characteristics
- b) Roof outlet requirement
- c) Chimney requirement
- d) Structural requirement
- e) Connector
- f) Fresh air intake
- g) Clearances to combustibles

3 – INSTALLATION

- a) Included parts, materials and required tools for installation
- b) Options
- c) Good to know
- d) Assembly details

4 – OPERATING INSTRUCTIONS

- a) Storage/use of flammable liquids
- b) Grate
- c) Ashes
- d) Fuel
- e) Before lighting your first fire
- f) Building, starting and maintaining the fire
- g) Protective glove

5 – MAINTENANCE

- a) Taking out the ashes
- b) Creosote formation and need for removal
- c) Inspection, maintenance and cleaning of the chimney
- d) Surfaces
- e) Directions and reasons for cleaning glass
- f) Replacement parts

6 – WARRANTY



1 – INTRODUCTION:

Please read this entire manual before you install and use your focus fireplace. Failure to follow instruction may result in property damage, bodily injury or even death. When this room heater is not properly installed, a house fire may result. To reduce the risk of fire, follow the installation instructions. Contact local building or fire officials about restrictions and installation inspection requirements in your area.

KEEP THIS MANUAL HANDY FOR EASY REFERRAL.

All **WARNING** and **CAUTION** statements will appear in bold font and upper case letters: **THEY SHOULD BE STRICTLY OBSERVED.**

Thank you for choosing focus fireplaces.

Appliance designation: *mezzofocus*

Manufacturer: *focus - atelier dominique imbert – le fort – 34380 viols le fort – France.*

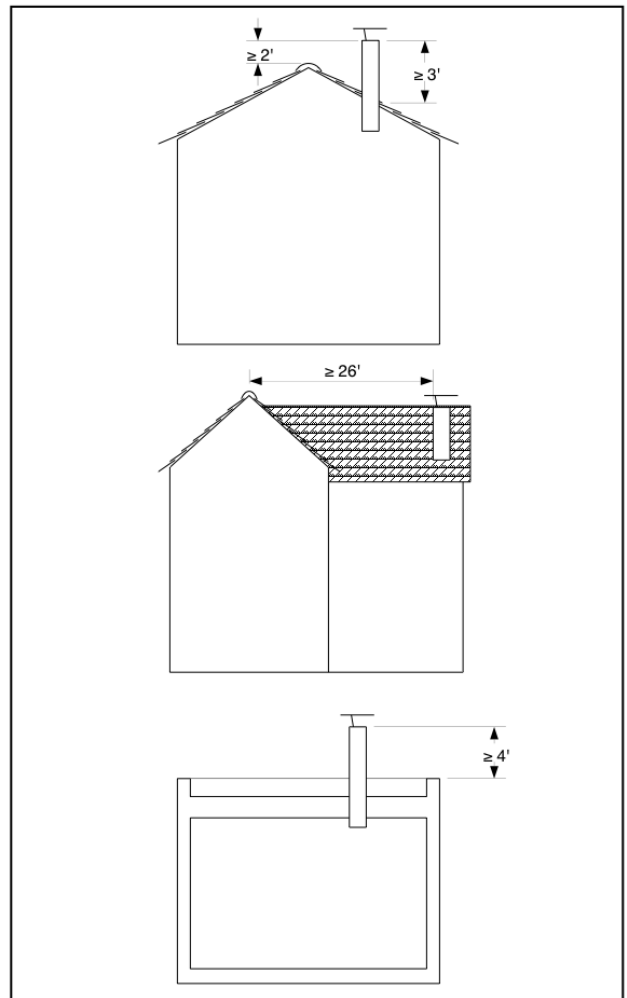
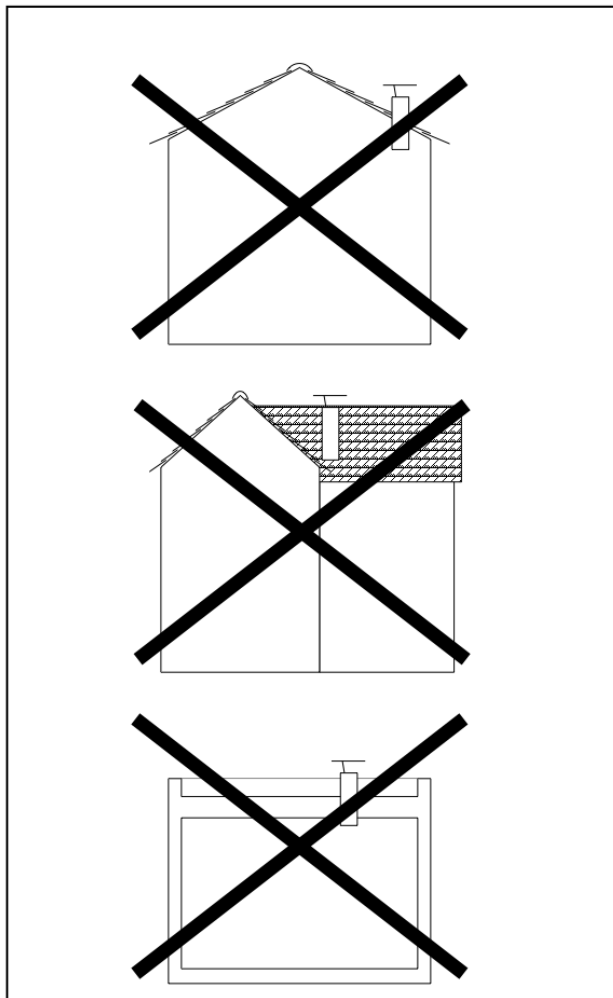
2 – SPECIFICATIONS:

- **NOT FOR MOBILE HOME INSTALLATION!**
- **DO NOT CONNECT TO ANY AIR DISTRIBUTION DUCT OR SYSTEM!**
- THE AUTHORITY HAVING JURISDICTION (SUCH AS MUNICIPAL BUILDING DEPARTMENT, FIRE DEPARTMENT, FIRE PREVENTION BUREAU, ETC.) SHOULD BE CONSULTED BEFORE INSTALLATION TO DETERMINE THE NEED TO OBTAIN A PERMIT.**
- USING MAKE-SHIFT COMPROMISES DURING INSTALLATION CAN CAUSE DAMAGE. SUCH INSTALLATION IS NOT COVERED UNDER FOCUS LIMITED WARRANTY.**
- WHEN THIS ROOM HEATER IS NOT PROPERLY INSTALLED, A HOUSE FIRE MAY RESULT. TO REDUCE THE RISK OF FIRE, FOLLOW THE INSTALLATION INSTRUCTIONS. CONTACT LOCAL BUILDING OR FIRE OFFICIALS ABOUT RESTRICTIONS AND INSTALLATION INSPECTION REQUIREMENTS IN YOUR AREA.**

a) Characteristics:

- Hood weight: 40 kg (88 lbs)
- Flue diameter: 311 mm (12-5/8 inch); length custom made
- Flue weight: 32 kg per meter (22 lbs per foot)
- Anchor plate weight: approx. 19 kg (41 lbs)
- 2.5 mm (1/10-inch) thick steel
- High heat resistant matte black paint
- Guaranteed efficiency with a minimum flue length (interior and exterior) of 5.00m (16.4 feet)

b) Roof outlet requirement:



c) Chimney requirement:

DO NOT CONNECT THIS UNIT TO A CHIMNEY FLUE SERVING ANOTHER APPLIANCE!

Mezzofocus requirements: the floor to top of chimney must be 21 feet minimum (6.4 m) or 24 feet (7,3 m) for an installation less than 3 miles from the ocean or if a 30° elbow is necessary. Elbows should not be more inclined than 30° (USA) or 45° (Canada) from vertical, and with maximum number of 2. Maximum inside + outside height (without use of a fan) : 30 feet.

The Mezzofocus must be connected to a chimney complying with the requirements for Type HT chimneys in the standard for Chimneys, Factory-built, Residential Type and Building Heating Appliance, UL 103. For example, a class A insulated stainless steel flue chimney system with an 12-inch minimum inside diameter.

d) Structural requirement:

CAUTION: THE SUPPORT OF THE ANCHOR PLATE (ROOF STRUCTURE, SLAB, ETC.) AND OF THE STATIONARY PLATE MUST BE SIZED IN CONGRUENCE WITH THE FIREPLACE STATIC AND DYNAMIC CHARGES. THE SIZE CALCULATION FOR THE SUPPORT IS NOT THE RESPONSIBILITY OF FOCUS OR ITS AFFILIATES. IT IS YOUR RESPONSIBILITY TO CONSULT WITH AN ENGINEER OR ARCHITECT FOR YOUR PROJECT.

e) Connector:

Connectors are all non-insulated chimney parts including focus black flue, focus 12" universal adaptor and the chimney manufacturer single wall adaptor. To avoid heat traps the chimney connector shall not pass through an attic or roof space, closet or similar concealed space, or a floor, or ceiling.

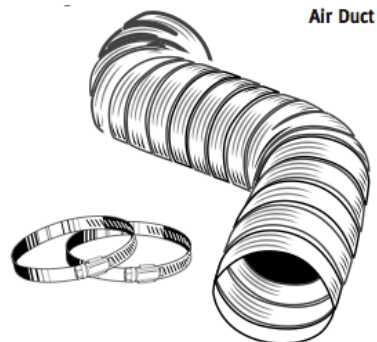
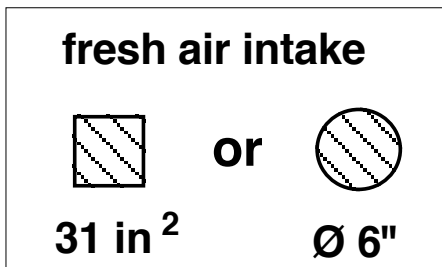
Passage through an attic, roof frame floor, or ceiling must be done using an insulated chimney respecting all chimney manufacturer clearances.

CAUTION: PASSAGE THROUGH A WALL OR PARTITION OF COMBUSTIBLE CONSTRUCTION IS NOT AN APPROPRIATE INSTALLATION FOR THIS FOCUS FIREPLACE.

Refractory compound must be used to seal each connection. Please refer to installation details in this manual.

f) Fresh air intake:

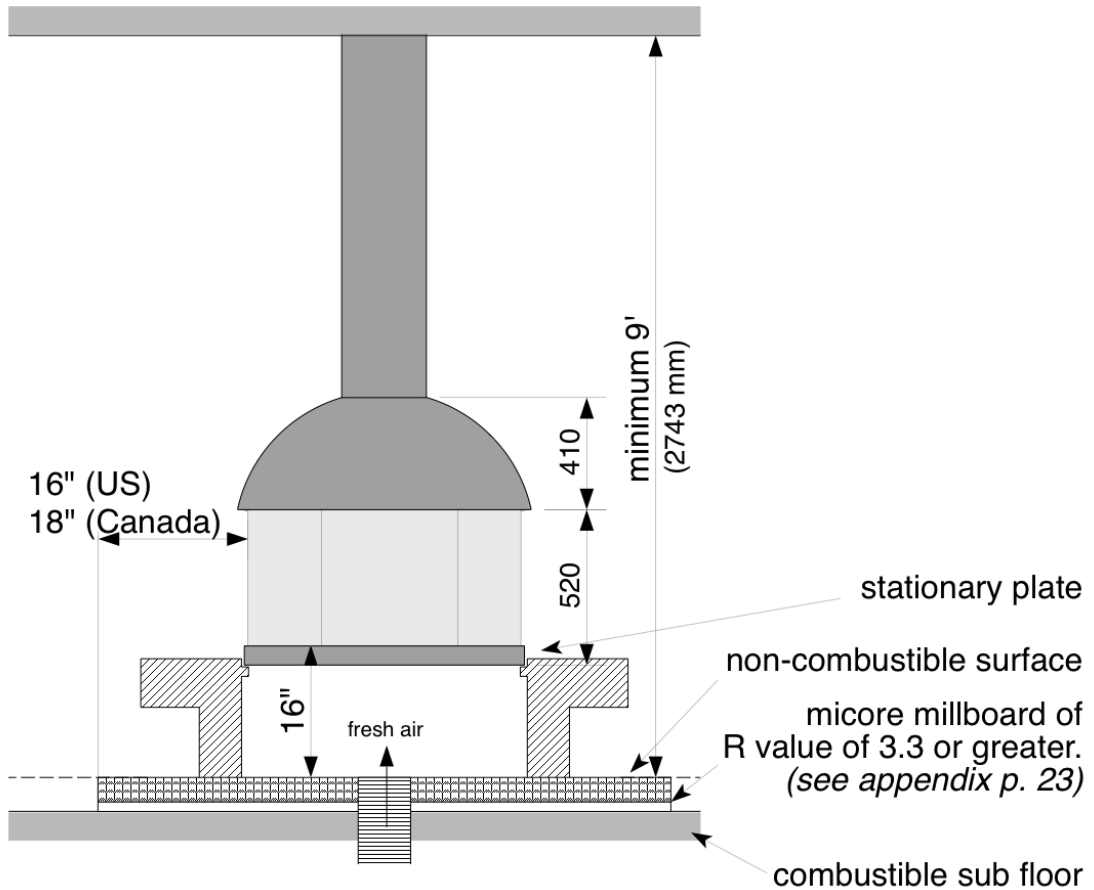
For optimum functioning, focus requires a fresh air intake in the room (ideally under the stationary plate). We recommend deflect-O A0684 semi rigid aluminium duct. The fire bowl is supplied with a fresh air control. Minimum fresh air intake size:



Important: this fresh air intake is compulsory when operating venting appliances such as kitchen hoods, permanent air extractors or any appliances creating an air depression in the habitation.

g) Clearances to combustibles:

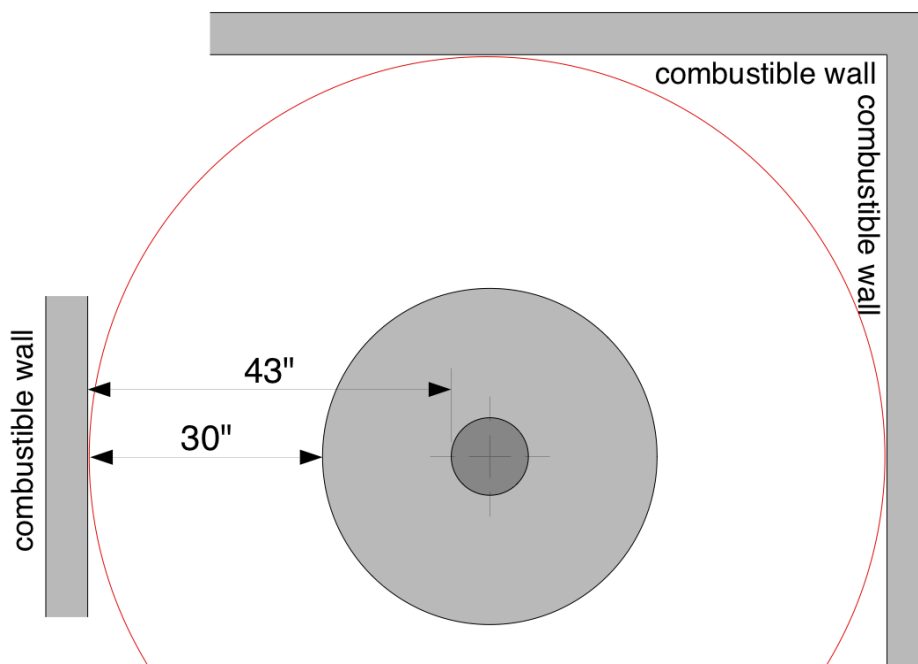
- Clearances to floor and ceiling:



A MINIMUM CLEARANCE OF 16" FROM THE FLOOR TO THE TOP OF THE STATIONARY PLATE STRICTLY MUST APPLY.

- Clearances to walls:

CAUTION: THE DISTANCE TO A COMBUSTIBLE WALL MUST BE MAINTAINED AT 30" FROM THE HOOD. PROPERTY DAMAGE OR DEATH CAN OCCUR IF THIS DISTANCE IS NOT MAINTAINED. DRYWALL PRODUCTS LINED WITH PAPER SUCH AS SHEETROCK ARE COMBUSTIBLE. CLEARANCES AS INDICATED FURTHER APPLY.



Important - manufacturer specifications:

- When placed close to a non-combustible wall leave a minimum of 4" for proper ventilation. To avoid premature aging of your painted walls, only use mineral paint. With other paints, above clearances apply.
- Fire clearance to glass (from hearth): 31-1/2".
- Fire clearance to vinyl windows: refer to window technical specifications.

CLEARANCES MAY ONLY BE REDUCED BY MEANS APPROVED BY THE REGULATORY AUTHORITY.

3 – INSTALLATION:

a) Included parts, materials and required tools for installation:

-Appliance and designated parts are the hood, stationary plate, 4 curved pyroceramic glass panels, anchor plate, black steel flue pipe, focus kit (protective glove, mounting gloves, can of touch-up paint), and insulating washers.

-Required tools: drill, M8 allen key, level, screwdrivers, M12 key, scaffolding (up to underceiling height), refractory compound.

-2 persons minimum are required for installation.

b) Options:

- steel base
- custom ceiling cover disc (steel disc) + cover disc screw kit
- custom anchor steel plate (inclined...)
- extra flue length for ceiling heights above 9 feet
- slate grey paint
- custom roof outlet in stainless or lacquered steel with insulation and cap

c) Good to know:

• The hood and the fire bowl may not be perfectly and geometrically centered and aligned due to hood balance position. We strongly recommend to :

- first install the hood, then find the right position of the stationary box by installing one pivoting glass : the best position is when the glass panel is sliding smoothly throughout the entire diameter of the track.

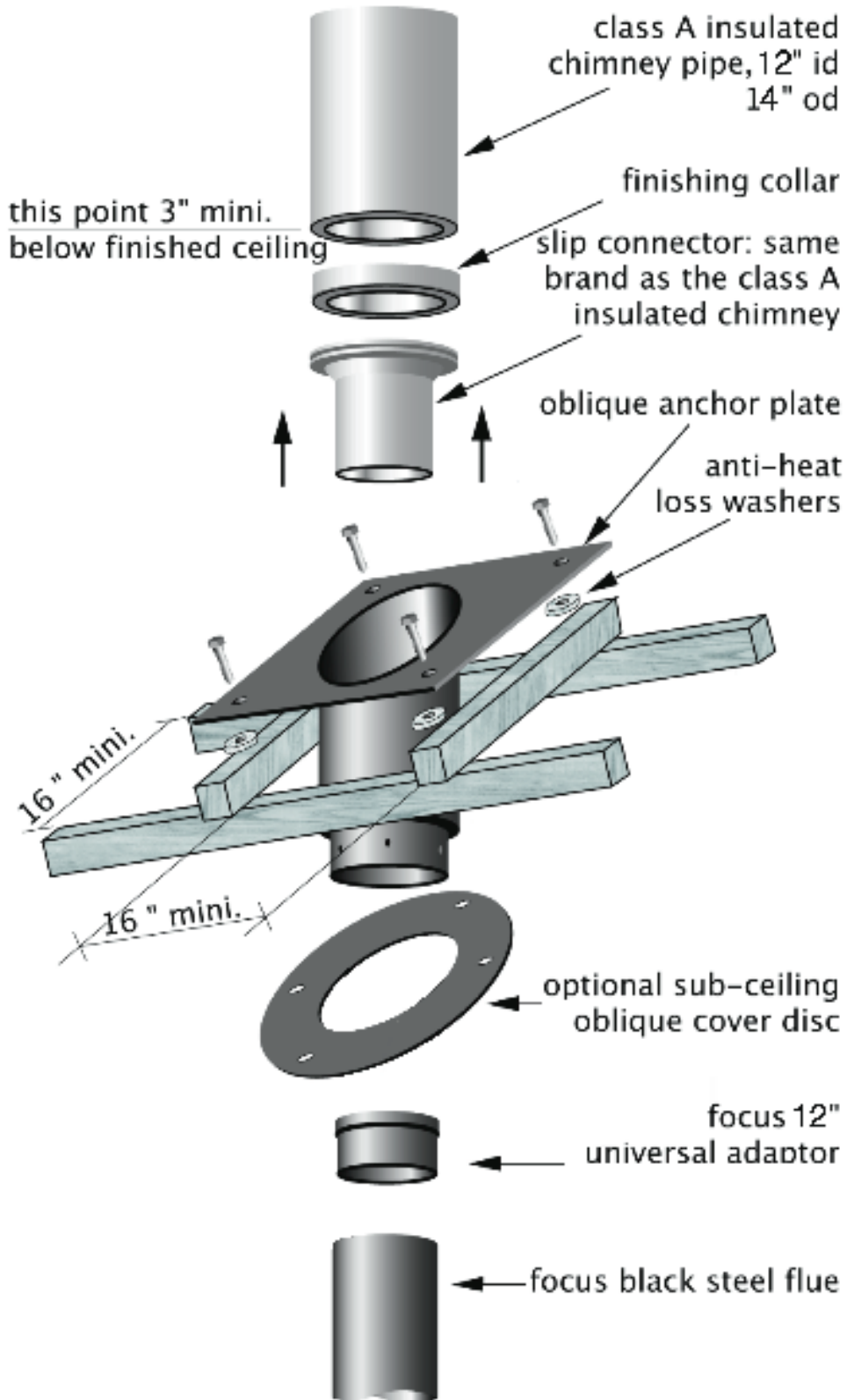
- in the event the stationary box is to be recessed, keep a gap of 1 inch on the radius to allow the stationary box position to be adjusted (recess diameter Ø42-1/2 inches).

- for ease of glass panels installation, the distance between the bottom of the hood and the finished surface that the fire bowl will sit must be 520 mm (20-15/32").

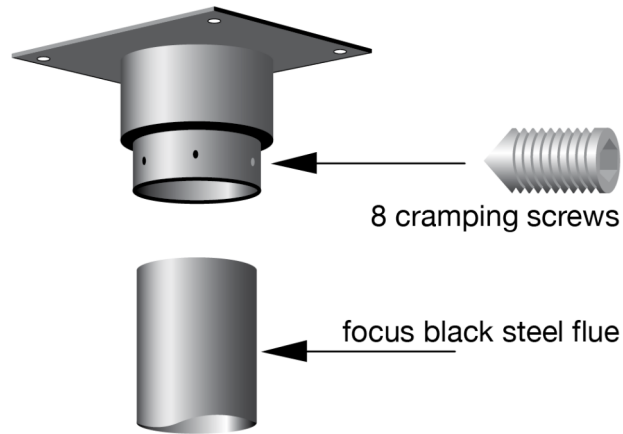
- The stationary glasses should be installed opposite one another.

d) Assembly details:

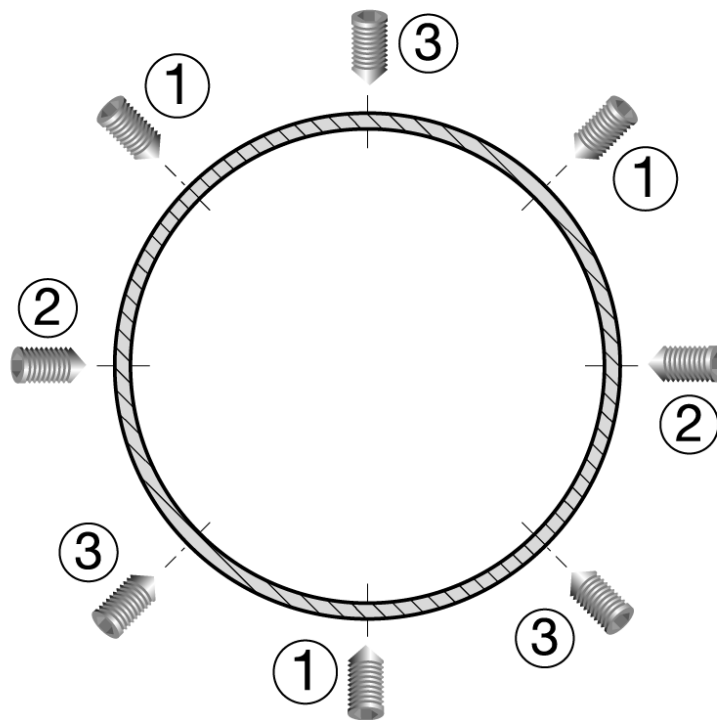
- 1 - stainless steel chimney system anchor plate setup and connection:



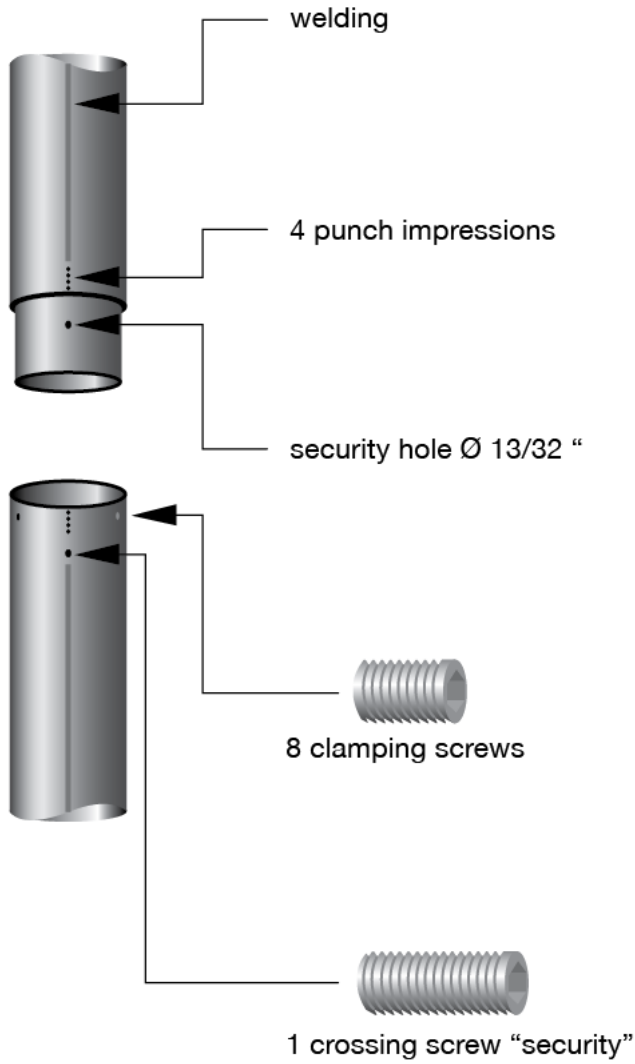
- focus flue attachment to stainless steel chimney system plate:



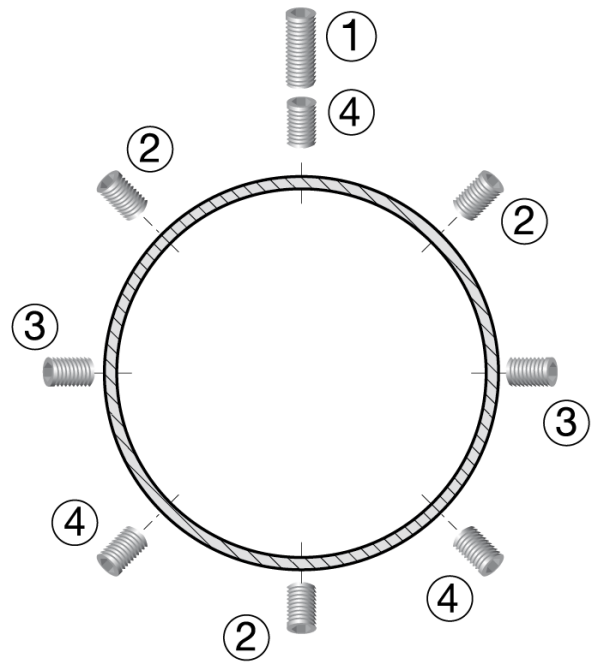
the order to tightening the plate screws (to secure progressively)



- 2 – junction sleeve detail:

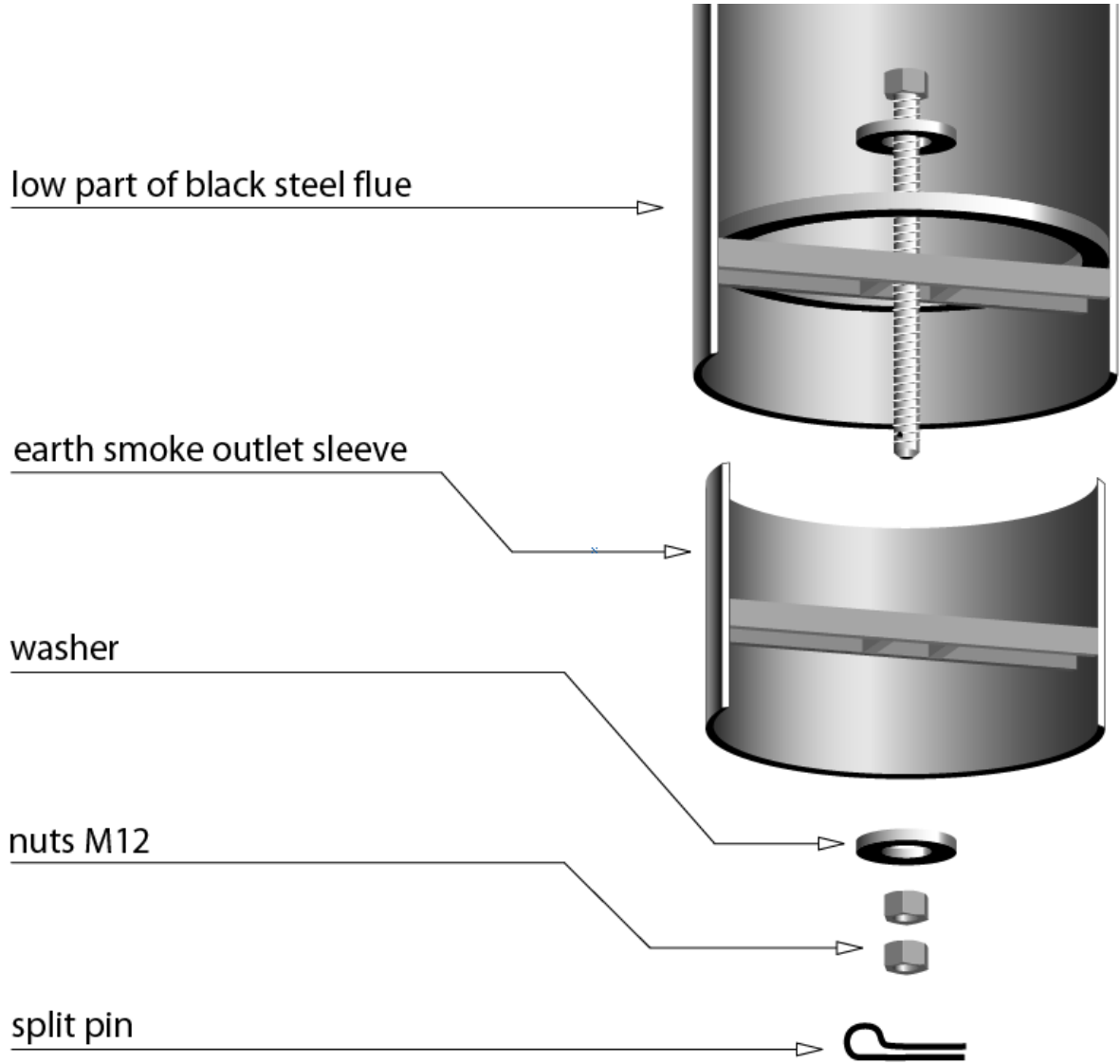


the order for tightening the screws (to secure progressively)



Note: the junction sleeves are provided only in case the floor to ceiling height requires more than one flue section.

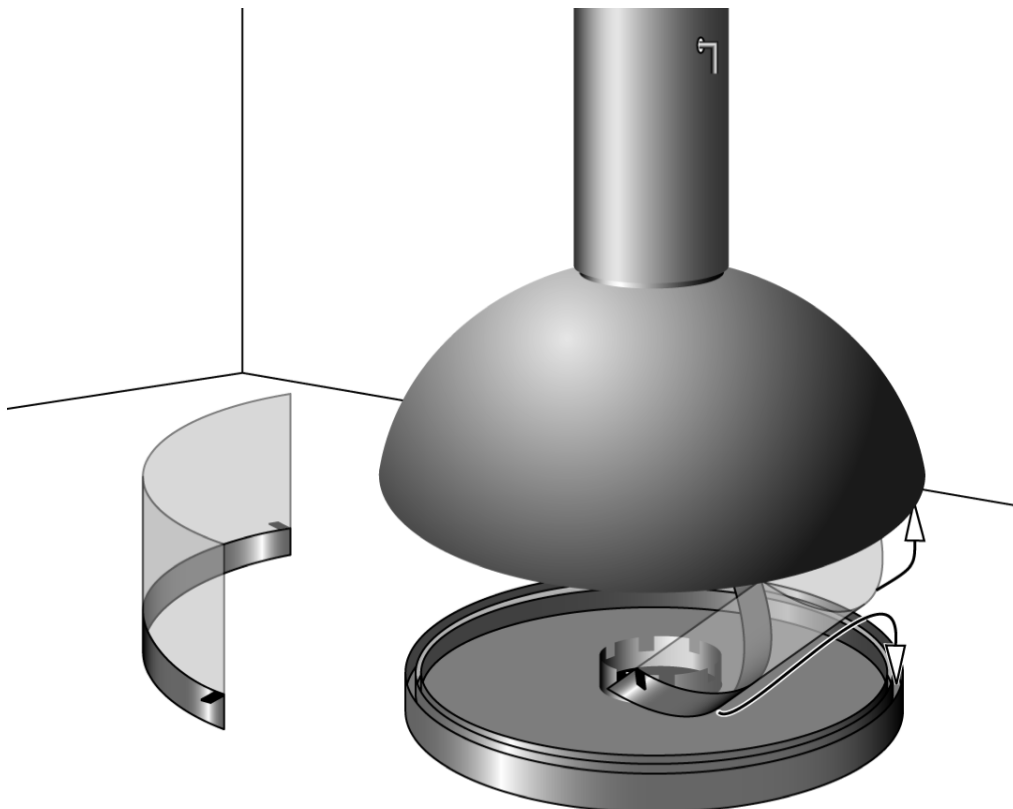
- 3 – suspension mechanism detail:



- 4 - Glass installation / Replacement :

Installation : Use caution when manipulating glass to prevent injury. Do not apply any force on the glass as this may cause breakage. Please check the hood level to be 520 mm (20-15/32") from stationary box support level.

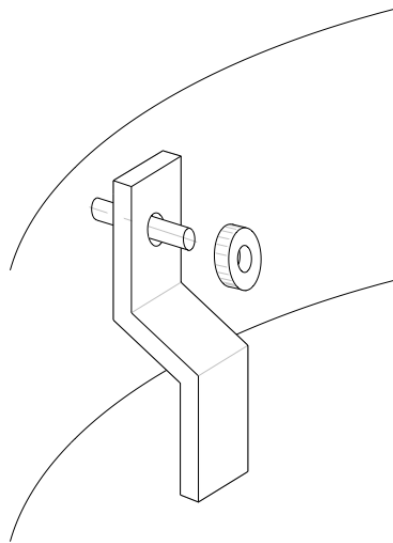
The mezzofocus receives 4 glass panels : 2 stationary and 2 sliding on track. Each stationary panel comes with 2 U-shape heat resistant silicone gaskets : one on top, one on bottom. The sliding ones have silicone protection only on top, as the bottom side comes into the metal sliding trolley. The silicone protections should not be removed during the installation and during the fireplace life time operation. To fit a glass panel, first remove the grate for easier access. Then present the glass panel bottom first, inclined as illustrated on the hereunder image.



The top left and right corners must be presented and adjusted to penetrate into the hood rail. External rail is for sliding panels, internal rail is for the stationary panels. Slide up the panel and rotate it gently so it gets its position

vertical again. Then just slide down the panel in order to secure it in the stationary box track.

Each stationary glass panel should be gently secured to the hood internal ring using the supplied offset retention clips and knurled bolts.



Replacement : Allow the fireplace to cool before removing or replacing glass. Use caution when removing broken glass to prevent injury. Do not apply any force on the glass as this may cause breakage. To remove a glass, first remove the grate and the removable stud. Then lift the first sliding glass up so it can get out of the base rail. Now push gently the base of the glass in order to move it in direction of the center of the fireplace, as illustrated on the image here under. The top of the glass will then get out of the hood rail ; Proceed the same way for the stationary glass pannels.

4 – OPERATING INSTRUCTIONS:

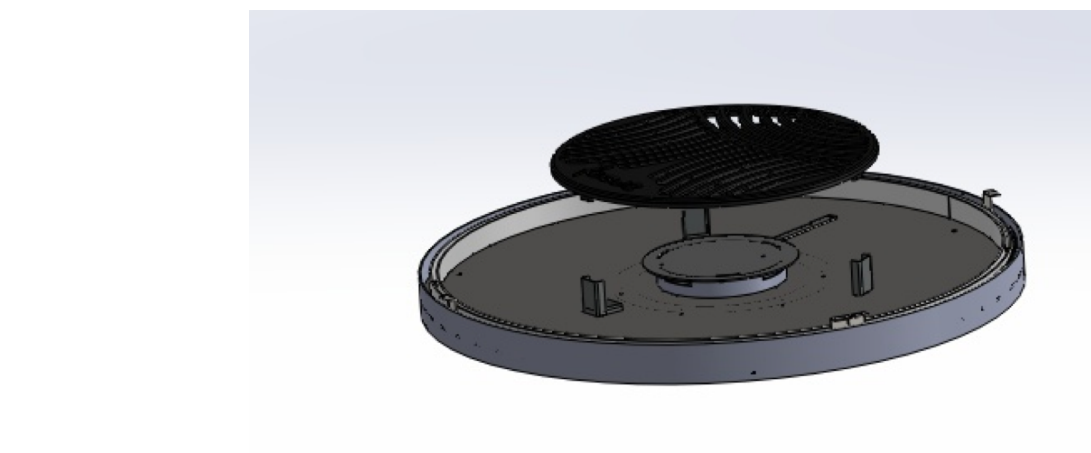
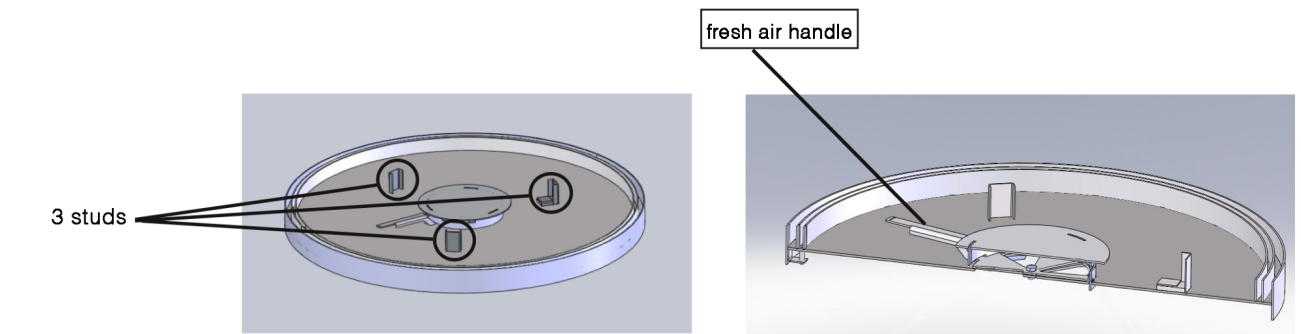
CAUTION: HOT WHILE IN OPERATION. KEEP CHILDREN, CLOTHING AND FURNITURE AWAY. CONTACT MAY CAUSE SKIN BURNS.

a) Storage/use of flammable liquids:

Never use gasoline, gasoline-type lantern fuel, kerosene, charcoal lighter fluid, or similar liquids to start or « freshen up » a fire in this heater. Keep all such liquids well away from the heater while it is in use.

b) Grate:

The grate is located inside the stationary box, it must be installed on the 3 studs. One of the studs is removable, for easier installation of the glasses. Underneath the grate is the fresh air intake control. To adjust fresh air intake, rotate the handle in the way to open or close the air openings. Grate must not be removed. Fire must not be built outside the grate area.



c) Ashes:

DISPOSAL OF ASHES – ASHES SHOULD BE PLACED IN A METAL CONTAINER WITH A TIGHT FITTING LID. THE CLOSED CONTAINER OF ASHES SHOULD BE PLACED ON A NON-COMBUSTIBLE FLOOR OR ON THE GROUND, WELL AWAY FROM ALL COMBUSTIBLE MATERIALS, PENDING FINAL DISPOSAL. IF THE ASHES ARE DISPOSED OF BY BURIAL IN SOIL OR OTHERWISE LOCALLY DISPERSED, THEY SHOULD BE RETAINED IN THE CLOSED CONTAINER UNTIL ALL CINDERS HAVE THOROUGHLY COOLED.

d) Fuel:

CAUTION: DO NOT BURN GARBAGE OR FLAMMABLE FLUIDS SUCH AS GASOLINE, NAPHTHA OR ENGINE OIL. DO NOT STORE THE FUEL WITHIN THE SPACE HEATER INSTALLATION CLEARANCES OR WITHIN THE SPACE REQUIRED FOR CHARGING AND ASH REMOVAL.

Only burn dry, natural, well-seasoned wood. Wood moisture content should not be more than 20%. We recommend using 2 year dry stored wood. For the best efficiency use a covered storage.

WARNING:

THE MEZZOFOCUS HAS BEEN TESTED FOR USE WITH GLAZED PANELS FULLY CLOSED. IF DOOR IS OPEN OR LEFT PARTLY OPEN, GAS AND FLAME MAY BE DRAWN OUT OF THE FIREPLACE OPENING, CREATING RISKS FROM BOTH FIRE AND SMOKE. TO REDUCE THE RISK OF FIRE INJURY, DO NOT REMOVE GLAZED PANELS!

e) Before lighting your first fire:

For all designs it is necessary:

- to remove the stickers from the glass panels (if any).
- to clean off (with a damp sponge and/or a dry cloth) any dirt collected during transport or installation.

Actual scratches on painted designs can be retouched solely with the expressly provided focus can. If this is necessary, ventilate the area thoroughly before lighting your fire to disperse any fumes generated in the spraying process.

The first fire should be a modest one; do not use packing material or pallet wood for fuel.

The paint finish we use, oven baked at 250°C for 30 minutes, is thermo-plastic. Because of the very gradual polymerisation of the components, the unit may give off a light smoke the first few times the fire is lit. The painted surfaces nearest the fire may, while hot, acquire a certain viscosity, or slight stickiness perceptible to the touch. We advise therefore:

- not to be alarmed at possible smoking or residual odors. This is normal on the first fires and will rapidly subside.
- not to touch, rub or try to clean the fireplace while it is still hot.

To avoid thermal shocks, we strongly advise against throwing buckets of water on a very vigorous fire to try to put it out.

f) Building, starting and maintaining the fire:

DO NOT OVERLOAD YOUR FOCUS FIREPLACE TO AVOID OVER-FIRING.

DO NOT USE CHEMICALS OR FLUIDS TO START THE FIRE.

DO NOT OPERATE WITH BROKEN GLASS.

DO NOT BUILD THE FIRE TOO CLOSE TO THE GLASS.

Build the fire without elevating it, directly on the grate. For starting the fire, we recommend using a small amount of fire starter with enough kindling (small logs or mill ends) to establish a primary fire.

After a few minutes, and making sure the primary fire is well started, add larger wood (between 3 and 7 pieces, depending on their size), directly on top, making sure not to smother the fire. Leave some spaces between the logs for air intake.

To maintain or refuel your fire, add when needed (see note), a few larger logs.

Note: For the same weight of fuel, 10 logs will burn more intensely (and faster) than 3 logs, but you will get the same heat power at the end. The log size you buy will determine the heating and refueling time.

g) Protective glove:

The use of the focus special protective glove supplied with our models is required upon handling the damper, glass panels, fresh air control, etc.

5 – MAINTENANCE:

a) Taking out the ashes:

CAUTION: BE SURE THE FIRE IS OUT AND THE FIREPLACE BODY COLD BEFORE REMOVING ASHES!

To remove ashes we recommend to use a brush and a shovel. Dispose of ashes in an appropriate ash container (not supplied). After cleaning, be sure to secure the fireplace properly!

CAUTION: DO NOT LIGHT A FIRE WITH GRATE REMOVED, AS THIS WILL PRODUCE OVER-FIRING OR HOUSE FIRE. DAMAGE CAUSED FROM NON-OBSERVANCE OF THIS CAUTION IS NOT COVERED UNDER FOCUS LIMITED WARRANTY.

b) Creosote formation and need for removal:

When wood is burned slowly, it produces tar and other organic vapors, which combine with expelled moisture to form creosote. The creosote vapors condense in the relatively cool chimney flue of a slow-burning fire. As a result, creosote residue accumulates on the flue lining. When ignited, this creosote makes an extremely hot fire.

Establish a routine for the fuel, wood burner and firing technique. Check daily for creosote build-up until experience shows how often you need to clean to be safe. Be aware that the hotter the fire the less creosote is deposited, and weekly cleaning may be necessary in mild weather even though monthly cleaning may be enough in the coldest months.

If a significant layer of creosote has accumulated (3mm or more) it should be removed to reduce the risk of a chimney fire.

Contact your local municipal or provincial fire authority for information on how to handle a chimney fire. Have a clearly understood plan to handle a chimney fire.

c) Inspection, maintenance and cleaning of the chimney:

WARNING : CHEMICAL SWEEP NOT PERMITTED: ONLY MECHANICAL SWEEP ALLOWED!

WARNING : THE CHIMNEY AND CHIMNEY CONNECTOR MUST BE IN GOOD CONDITION AND KEPT CLEAN.

Referring to focus black steel flue : it must absolutely be swept with a nylon brush. Never use metal brushes! Damage caused from non-observance of this caution is not covered under the focus limited warranty.

Referring to chimney pipe :

Call a professional chimney sweeper or buy a brush at your local focus retailer and clean the chimney this way :

Remove rain cap, use appropriately sized brush and sweep the entire system to remove all debris or refer to chimney manufacturer recommendations.

Keep firing and de-ashing doors closed and maintain all seals in good condition.

d) Surfaces:

CAUTION: DO NOT SCRUB! DO NOT USE ABRASIVE CLEANERS.

The outer surfaces can be wiped with a soft, dry rag (making sure the metal is cool).

For continued use of the touch-up paint can following its initial usage, invert the focus can (spray head down) and spray into a balled up newspaper until the can sprays clear. Clean the spray can bottom with a dry rag and store out of the reach of children.

e) Directions and reasons for cleaning glass:

CRACKED OR BROKEN GLASS SHOULD BE REPLACED.

DO NOT CLEAN THE GLASS WHEN HOT.

GLASSES SHOULD NOT BE STRUCK, BANGED OR SLAMMING SHUT.

The outer surfaces can be wiped with a soft, dry rag and a standard glass cleaner product (making sure the glass is cool).

The inner surfaces can be cleaned with a special insert glass product.

f) Replacement parts:

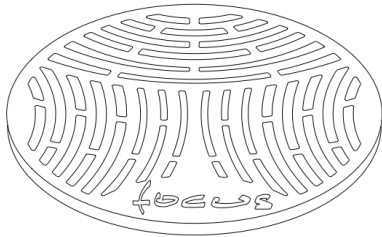
WARNING DO NOT USE SUBSTITUTE MATERIALS.

For ordering replacement parts, please contact the focus North American exclusive importer :

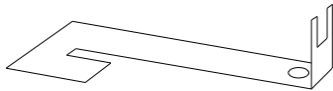
European Home

30 Log Bridge Road
Building 300 – Suite 303
Middleton, MA 01949
T: 781-324-8383

- Cast iron grate :



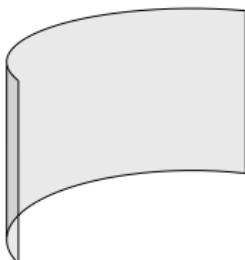
- Cold handle :



- Touch-up can :



- 4 Ceramic glass Panels (trade name : Schott-Robax). Reminder : do not use substitute materials:



Dimensions :

Thickness 5/32" (4 mm)

Height : 19-11/16" - 500 mm

Radius : 19-11/16" - 500 mm

Developed length : 31-1/2" - 800 mm

6 – WARRANTY:

All of our focus models are guaranteed against any defect in design, construction, or manufacture, and guaranteed to function properly for 5 years from date of order. Our product guarantees are applicable only when our fireplaces have been installed with respect to all local building codes and with strict attention to the technical details outlined in our Plan Study as well as our installation, maintenance, and user's manuals. Our guarantee excludes accidental damages such as those occurring during transport without written notification upon receipt, damages incurred during installation, and damages resulting from improper use.

Appendix.

How to determine if alternate floor protection materials are acceptable.

All floor protection must be non-combustible (i.e., metals, brick, stone, mineral fiber boards, etc.). Any organic materials (i.e., plastics, wood paper products, etc.) are combustible and must not be used. The floor protection specified includes some form of thermal designation such as R-value (thermal resistance) or k-factor (thermal conductivity).

PROCEDURE:

1. Convert specification to R-value:

i. R-value given - no conversion needed.

ii. k-factor is given with a required thickness (T) in inches:

$$R = \frac{1}{k} \times T$$

iii. K-factor is given with a required thickness (T) in inches:

$$R = \frac{1}{K \times 12} \times T$$

iv. r-factor is given with a required thickness (T) in inches:

$$R = r \times T$$

2. Determine the R-value of the proposed alternate floor protector.

i. Use the formula in step (1) to convert values not expressed as “R”.

ii. For multiple layers, add R-values of each layer to determine overall R-value.

3. If the overall R-value of the system is greater than the R-value of the specified floor protector, the alternate is acceptable.

EXAMPLE: The specified floor protector should be 3/4-inch thick material with a k-factor of 0.84. The proposed alternate is 4” brick with an r-factor of 0.2 over 1/8” mineral board with a k-factor of 0.29.

Step (a): Use formula above to convert specification to R-value.

$$R = \frac{1}{k} \times T = \frac{1}{0.84} \times 0.75 = 0.893$$

Step (b): Calculate R of proposed system.

4” brick of r = 0.2, therefore:

$$R_{\text{brick}} = 0.2 \times 4 = 0.431$$

1/8” mineral board of k = 0.29, therefore

$$R_{\text{mineral board}} = \frac{1}{0.29} \times 0.125 = 0.431$$

$$R_{\text{total}} = R_{\text{brick}} + R_{\text{mineral board}} = 0.8 + 0.431 = 1.231$$

Step (c): Compare proposed system R_{total} of 1.231 to specified R of 0.893. Since proposed system R_{total} is greater than required, the system is acceptable.

DEFINITIONS:

$$R = \frac{(\text{ft}^2)(\text{hr})(^\circ\text{F})}{\text{Btu}} \quad k = \frac{(\text{Btu})(\text{in})}{(\text{ft}^2)(\text{hr})(^\circ\text{F})} = K \times 12 \quad K = \frac{(\text{Btu})(\text{ft})}{(\text{ft}^2)(\text{hr})(^\circ\text{F})} \quad r = \frac{(\text{ft}^2)(\text{hr})(^\circ\text{F})}{(\text{Btu})(\text{in})} = \frac{1}{k}$$

