

Filiofocus 1600 central version

Design Installation & Operating Manual v.3 EN
Tested by OMNI-Test Laboratories, Inc. and approved to
ULC-S610-M87 (A1998), UL 737-2011 And ULC S627-00



OMNI-Test Laboratories, Inc.

Report Number: 304-F-10-2

US EPA exempt



this document was packed with the appliance.

KEEP THESE INSTRUCTIONS FOR FUTURE USE

TABLE OF CONTENTS:

1 – INTRODUCTION

2 – SPECIFICATIONS

- a) Characteristics
- b) Roof outlet requirement
- c) Chimney requirement
- d) Connectors
- e) Fresh air intake
- f) Clearances to combustibles

3 – INSTALLATION

- a) Included parts, materials and required tools for installation
- b) Options
- c) Good to know
- d) Assembly details

4 – OPERATING INSTRUCTIONS

- a) Storage/use of flammable liquids
- b) Fire-dogs
- c) Ashes
- d) Fuel
- e) Before lighting your first fire
- f) Building, starting and maintaining the fire
- g) Protective glove

5 – MAINTENANCE

- a) Taking out the ashes
- b) Inspection, maintenance and cleaning of the chimney
- c) Surfaces
- d) Directions and reasons for cleaning glass
- e) Replacement parts

6 – WARRANTY



1 – INTRODUCTION:

Please read this entire manual before you install and use your focus fireplace. Failure to follow instruction may result in property damage, bodily injury or even death. When this room heater is not properly installed, a house fire may result. To reduce the risk of fire, follow the installation instructions. Contact local building or fire officials about restrictions and installation inspection requirements in your area.

KEEP THIS MANUAL HANDY FOR EASY REFERRAL.

All **WARNING** and **CAUTION** statements will appear in bold font and upper case letters: **THEY SHOULD BE STRICTLY OBSERVED.**

Thank you for choosing focus fireplaces.

Appliance designation: *central windowed filiofocus 1600*

Manufacturer: *focus - atelier dominique imbert – le fort – 34380 viols le fort – France.*

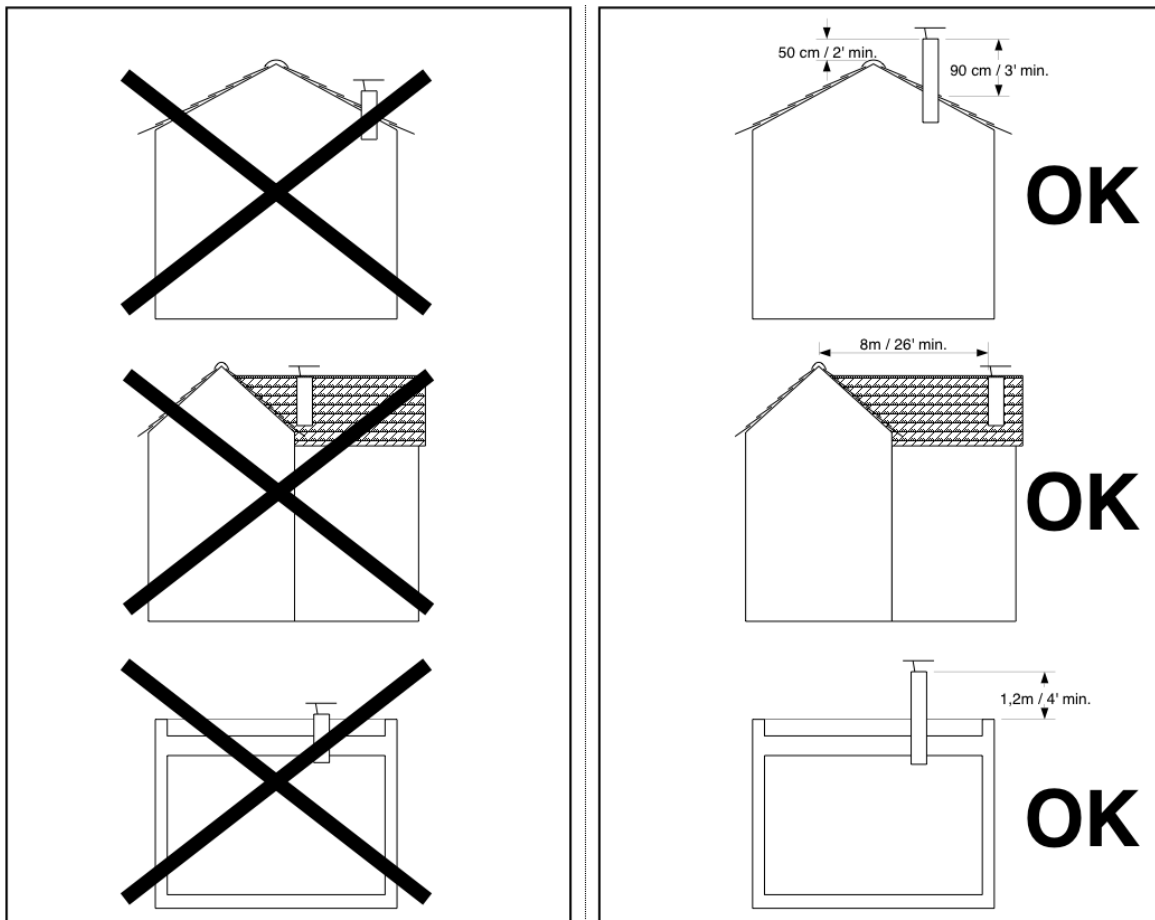
2 – SPECIFICATIONS:

- **NOT FOR MOBILE HOME OR EXTERIOR INSTALLATION!**
- **DO NOT CONNECT TO ANY AIR DISTRIBUTION DUCT OR SYSTEM!**
- THE AUTHORITY HAVING JURISDICTION (SUCH AS MUNICIPAL BUILDING DEPARTMENT, FIRE DEPARTMENT, FIRE PREVENTION BUREAU, ETC.) SHOULD BE CONSULTED BEFORE INSTALLATION TO DETERMINE THE NEED TO OBTAIN A PERMIT.**
- USING MAKE-SHIFT COMPROMISES DURING INSTALLATION CAN CAUSE DAMAGE . SUCH INSTALLATION IS NOT COVERED UNDER FOCUS LIMITED WARRANTY.**
- WHEN THIS ROOM HEATER IS NOT PROPERLY INSTALLED, A HOUSE FIRE MAY RESULT. TO REDUCE THE RISK OF FIRE, FOLLOW THE INSTALLATION INSTRUCTIONS. CONTACT LOCAL BUILDING OR FIRE OFFICIALS ABOUT RESTRICTIONS AND INSTALLATION INSPECTION REQUIREMENTS IN YOUR AREA.**

a) Characteristics:

- Hearth 1.12 m (44-3/32-inch) diameter; weight: 70 kg (154 lbs)
- Hood weight: 70 kg (154 lbs)
- Flue diameter : 219 mm (8-5/8-inch) ; length custom-made
- Flue weight : 16 kg per meter (35 lbs per foot)
- Standard anchor plate weight: approx. 25 kg (55 lbs)
- 3 mm (1/8-inch) thick steel
- High heat resistant matte black paint
- Guaranteed efficiency with a minimum flue length (interior and exterior) of 3m (10 feet)

b) Roof outlet requirement:



c) Chimney requirement:

DO NOT CONNECT THIS UNIT TO A CHIMNEY FLUE SERVING ANOTHER APPLIANCE!

Filiofocus requirement: the floor to top of chimney length must be 17 feet minimum (20 feet for an installation less than 3 miles from the ocean or if a 30° elbow is necessary). Elbows should not be more inclined than 30° (USA) or 45° (Canada) from vertical and with maximum number of 2. Maximum inside + outside height (without use of a fan) : 30 feet.

Windowed filiofocus can be connected to a chimney complying with the requirements for Type HT chimneys in the standard for Chimneys, Factory-built, Residential Type and Building Heating Appliance, UL 103/ULC S629. For example, a class A insulated stainless steel flue chimney system with an 8-inch minimum inside diameter.

CAUTION: THE SUPPORT OF THE ANCHOR PLATE (ROOF STRUCTURE, SLAB, ETC...) MUST BE SIZED IN CONGRUENCE WITH THE FIREPLACE STATIC AND DYNAMIC CHARGES. THE SIZE CALCULATION FOR THE SUPPORT IS NOT THE RESPONSIBILITY OF FOCUS OR ITS AFFILIATES. IT IS YOUR RESPONSIBILITY TO CONSULT WITH AN ENGINEER OR ARCHITECT FOR YOUR PROJECT.

d) Connectors:

Connectors are all non-insulated chimney parts including focus black flue, focus 8" universal adaptor and the chimney manufacturer single wall slip connector.

To avoid heat traps the chimney connector shall not pass through an attic or roof space, closet or similar concealed space, or a floor, or ceiling.

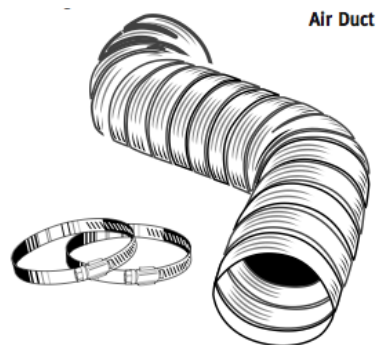
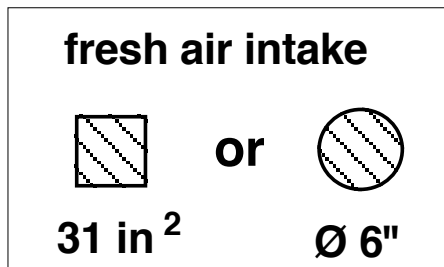
Passage through an attic, roof frame floor, or ceiling must be done using an insulated chimney respecting all chimney manufacturer clearances. For Canada the installation should conform to CAN/CSA-B365.

CAUTION: PASSAGE THROUGH A WALL OR PARTITION OF COMBUSTIBLE CONSTRUCTION IS NOT AN APPROPRIATE INSTALLATION FOR THIS FOCUS FIRE.

Refractory compound must be used to seal each connection. Connectors should always be in good condition and kept clean. Minimum thickness : 1/32" (1 mm). Please refer to installation details in this manual.

e) Fresh air intake:

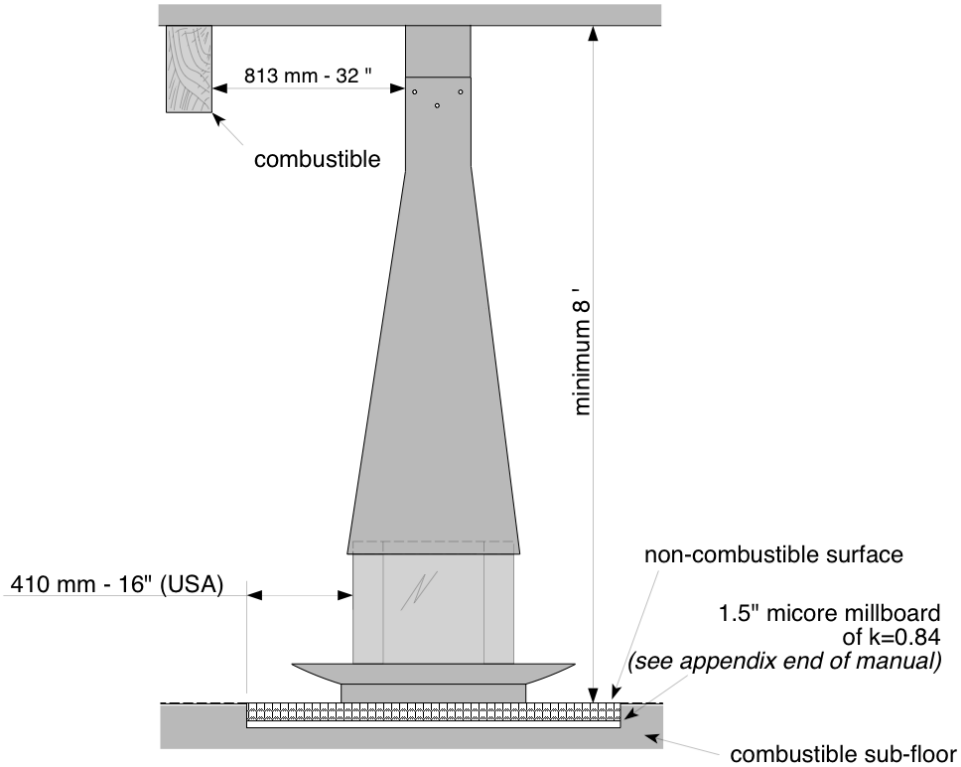
To balance room air pressure with outdoors air pressure, focus recommends a fresh air intake in the room (ideally emerging under the fire bowl). Fresh air intake shall only take combustion air from outdoors. We recommend deflect-O A0684 semi rigid aluminium duct. The appliance is supplied with a fresh air control. Minimum fresh air intake size:



Important: this fresh air intake is compulsory when operating venting appliances such as kitchen hoods, permanent air extractors or any appliances creating an air depression in the habitation. A lack of air intake may alarm smoke detectors. Duct maximum length :30 feet (9 meters).

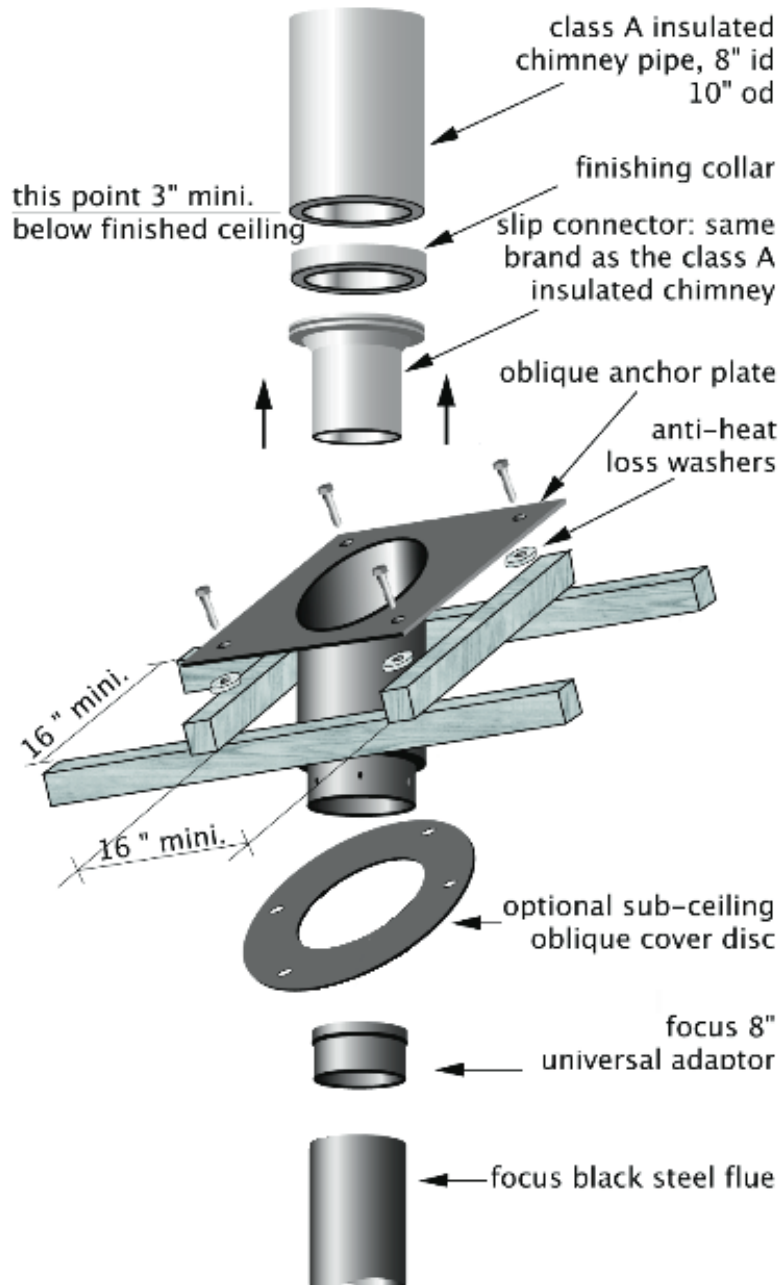
f) Clearances to combustibles:

- Clearances to floor and ceiling:



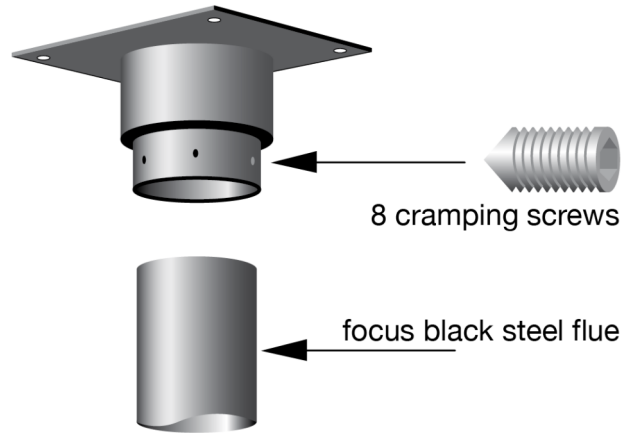
CAUTION: THE DISTANCE TO A COMBUSTIBLE WALL MUST BE MAINTAINED AT 34 inches FROM THE GLASSES. PROPERTY DAMAGE OR DEATH CAN OCCUR IF THIS DISTANCE IS NOT MAINTAINED. DRYWALL PRODUCTS LINED WITH PAPER SUCH AS SHEETROCK ARE COMBUSTIBLE. CLEARANCES AS INDICATED FURTHER APPLY.

- stainless steel chimney system anchor plate detail :

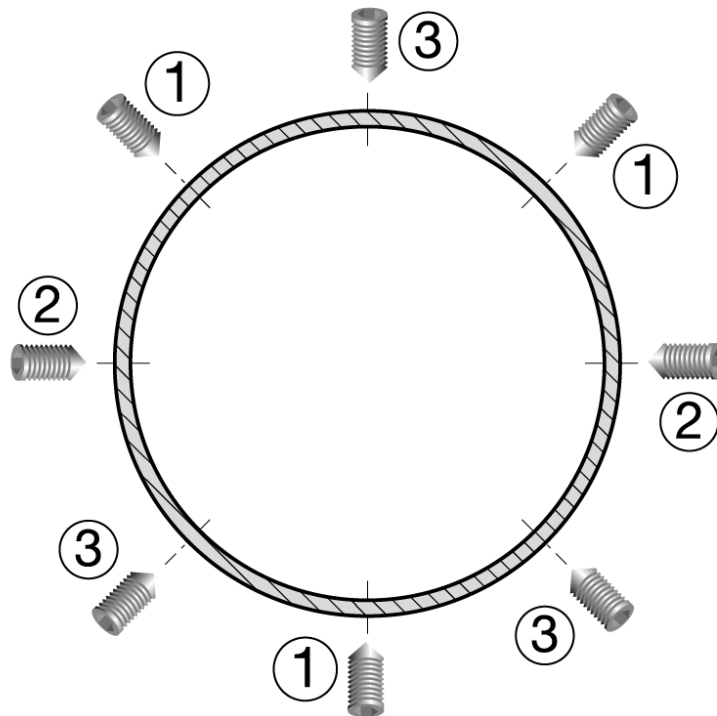


Hearth extensions must be installed only as illustrated.

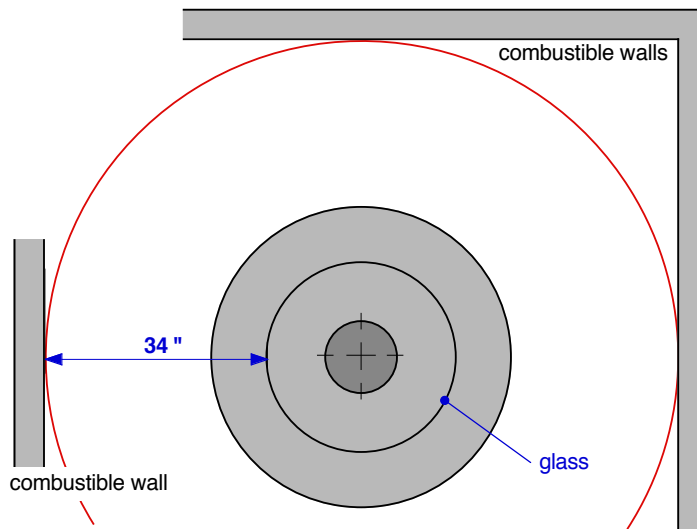
- focus flue attachment to stainless steel chimney system plate:



the order to tightening the plate screws (to secure progressively)



• Clearance to walls:



Important : manufacturer specifications :

- When placed close to a non-combustible wall leave a minimum of 4 inches (100 mm, from fire bowl which \varnothing is 44 inches - 1120 mm) for proper ventilation. To avoid premature aging of your painted walls, only use mineral or acrylic paints. With other paints, above clearances apply.
- Focus recommends the integration of the fire bowl in a 3 inches floor recess with 30"-1/2" diameter.
- Fire clearance to glass (from glasses) : 3 feet.
- Fire clearance to vinyl windows: refer to window technical specifications.

CLEARANCES MAY ONLY BE REDUCED BY MEANS APPROVED BY THE REGULATORY AUTHORITY.

3 – INSTALLATION:

a) Included parts, materials and required tools for installation:

- Appliance and designated parts are the fire bowl, grate, suspended hood, black steel flue pipe, anchor plate, 4 curved pyroceramic glass screens, focus kit (protective glove, mounting gloves, can of touch-up paint), and insulating washers.

- Required tools : drill, M8 allen key, level, screw drivers, M12 key, scaffolding, refractory compound.
- 2 persons minimum are required for installation.

b) Options :

- Custom ceiling cover disc (steel disc) + cover-disc screw kit
- Custom anchor steel plate (inclined...)
- Focus black steel flue extension
- Grey paint
- Custom roof outlet in stainless or lacquered steel with insulation and cap
- Fire bowl installation options : recessed into the floor, set above floor level, or raised on a custom base.

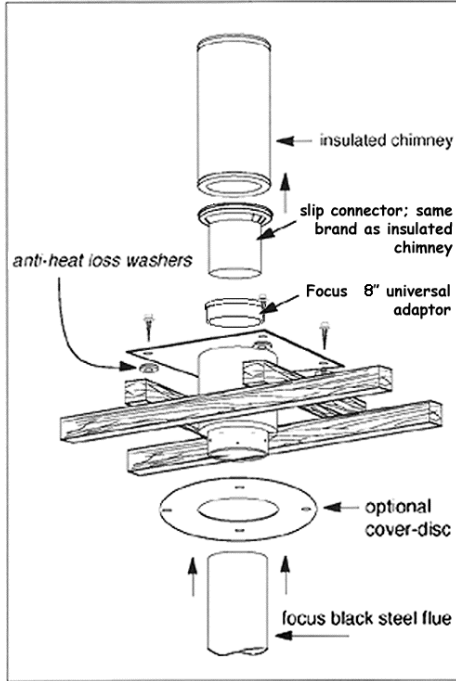
c) Good to know:

- The hood and the fire bowl may not be perfectly and geometrically centered and aligned due to hood balance position. We strongly recommend to :
 - first install the hood, then find the right position of the fire bowl by installing the pivoting glasses : the best position is when the glass panels are sliding smoothly throughout the entire diameter of the track.
 - in the event the fire bowl is to be recessed, keep a gap of 1 inch on the radius to allow the fire-bowl position to be adjusted (recess diameter Ø30-1/2 inches)
 - for ease of glass panels installation, the distance between the bottom of the hood and the finished surface that the fire bowl will sit must be 23-1/32” (585 mm).
 - The stationary glasses should be installed opposite one another.

d) Assembly details :

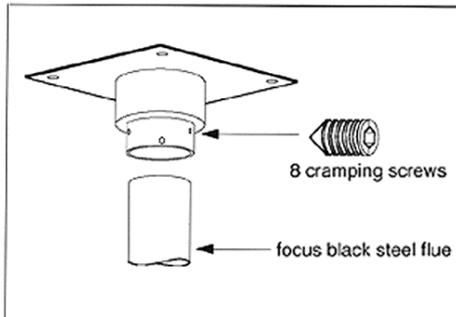
anchor plate setup & connection

detail 1 for insulated chimney

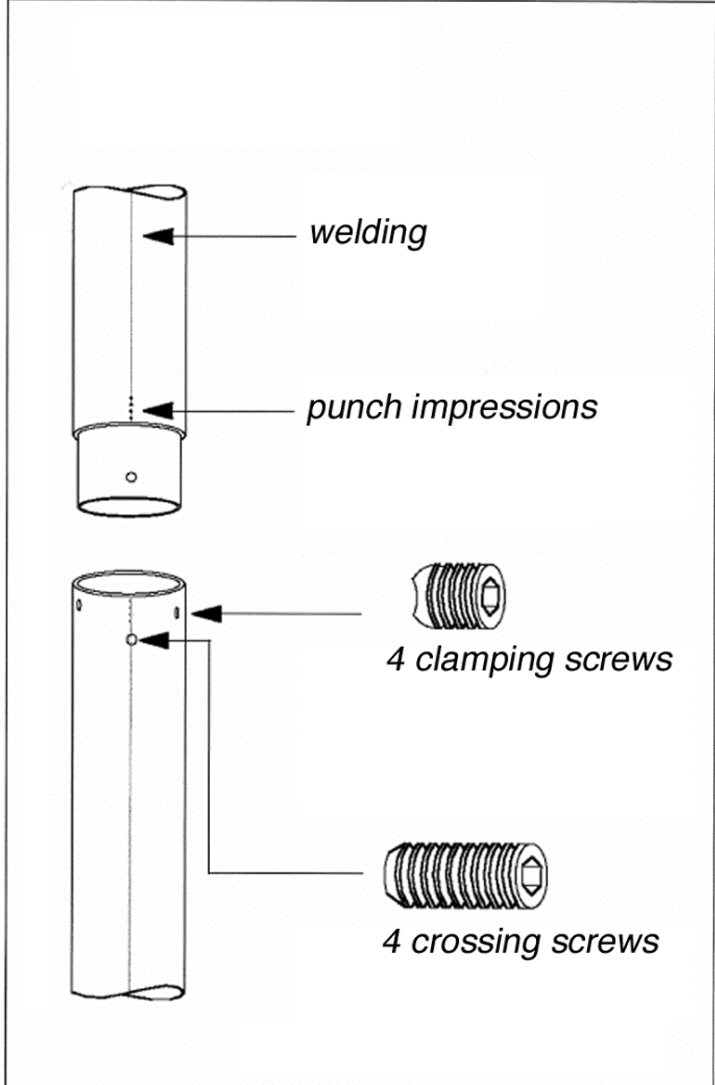


flue attachment to anchor plate

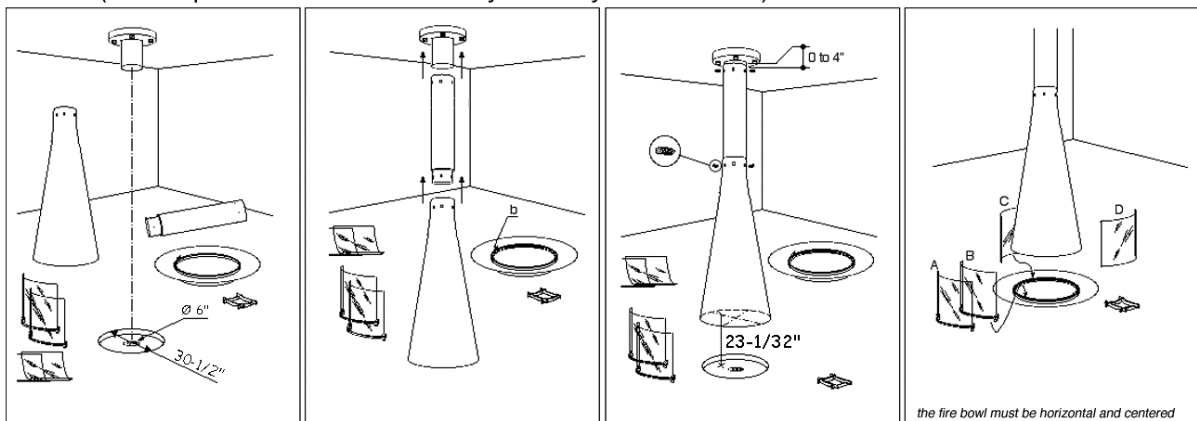
detail 2 for insulated chimney



détail 3



détail 4 (anchor plate is shown for masonry chimney with flue liner)



b: fresh air control

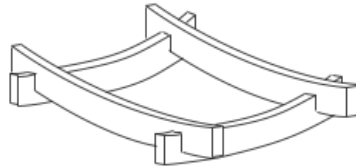
4 – OPERATING INSTRUCTIONS :

CAUTION : HOT WHILE IN OPERATION. KEEP CHILDREN, CLOTHING AND FURNITURE AWAY. CONTACT MAY CAUSE SKIN BURNS.

Never use chemicals or fluids, gasoline, gasoline-type lantern fuel, kerosene, charcoal lighter fluid, or similar liquids to start or « freshen up » a fire in this heater. Keep all such liquids well away from the heater while it is in use.

b) Fire-dogs :

The fire-dogs item is located inside the fireplace. It must not be removed except for cleaning, once all cinders have thoroughly cooled. Fire must only be built on the fire-dogs.



c) Ashes :

DISPOSAL OF ASHES – ASHES SHOULD BE PLACED IN A METAL CONTAINER WITH A TIGHT FITTING LID. THE CLOSED CONTAINER OF ASHES SHOULD BE IMMEDIATELY PLACED OUTDOORS ON A NON-COMBUSTIBLE FLOOR OR ON THE GROUND, WELL AWAY FROM ALL COMBUSTIBLE MATERIALS, PENDING FINAL DISPOSAL. IF THE ASHES ARE DISPOSED OF BY BURIAL IN SOIL OR OTHERWISE LOCALLY DISPERSED, THEY SHOULD BE RETAINED IN THE CLOSED CONTAINER UNTIL ALL CINDERS HAVE THOROUGHLY COOLED.

d) Fuel :

CAUTION : DO NOT BURN GARBAGE OR FLAMMABLE FLUIDS SUCH AS GASOLINE, NAPHTHA OR ENGINE OIL. DO NOT STORE THE FUEL WITHIN THE SPACE HEATER INSTALLATION CLEARANCES OR WITHIN THE SPACE REQUIRED FOR CHARGING AND ASH REMOVAL.

Only burn dry, natural, untreated well-seasoned wood. Wood moisture content should not be more than 20%. We recommend using 2 year dry stored wood. For the best efficiency use a covered storage. Hazards may occur with some fuels (e.g., charcoal). Such fuels may generate dangerous gas like carbon monoxide.

WARNING :

THE WINDOWED FILIOFOCUS HAS BEEN TESTED FOR USE WITH FOUR GLAZED SCREENS FULLY CLOSED. IF PANELS ARE LEFT PARTLY OPEN, GAS AND FLAME MAY BE DRAWN OUT OF THE FIREPLACE OPENING, CREATING RISKS FROM BOTH FIRE AND SMOKE. TO REDUCE THE RISK OF FIRE INJURY, DO NOT INTEND TO REMOVE GLAZED SCREENS!

e) Before lighting your first fire :

For all designs it is necessary :

- to remove the stickers from the glass screens (if any).
- to clean off (with a damp sponge and/or a dry cloth) any dirt collected during transport or installation.

Actual scratches on painted designs can be retouched solely with the expressly provided focus can. If this is necessary, ventilate the area thoroughly before lighting your fire to disperse any fumes generated in the spraying process

The first fire should be a modest one ; do not use packing material or pallet wood for fuel.

The paint finish we use, oven baked at 250°C for 30 minutes, is thermo-plastic. Because of the very gradual polymerisation of the components, the unit may give off a light smoke the first few times the fire is lit. The painted surfaces nearest the fire may, while hot, acquire a certain viscosity, or slight stickiness perceptible to the touch. We advise therefore :

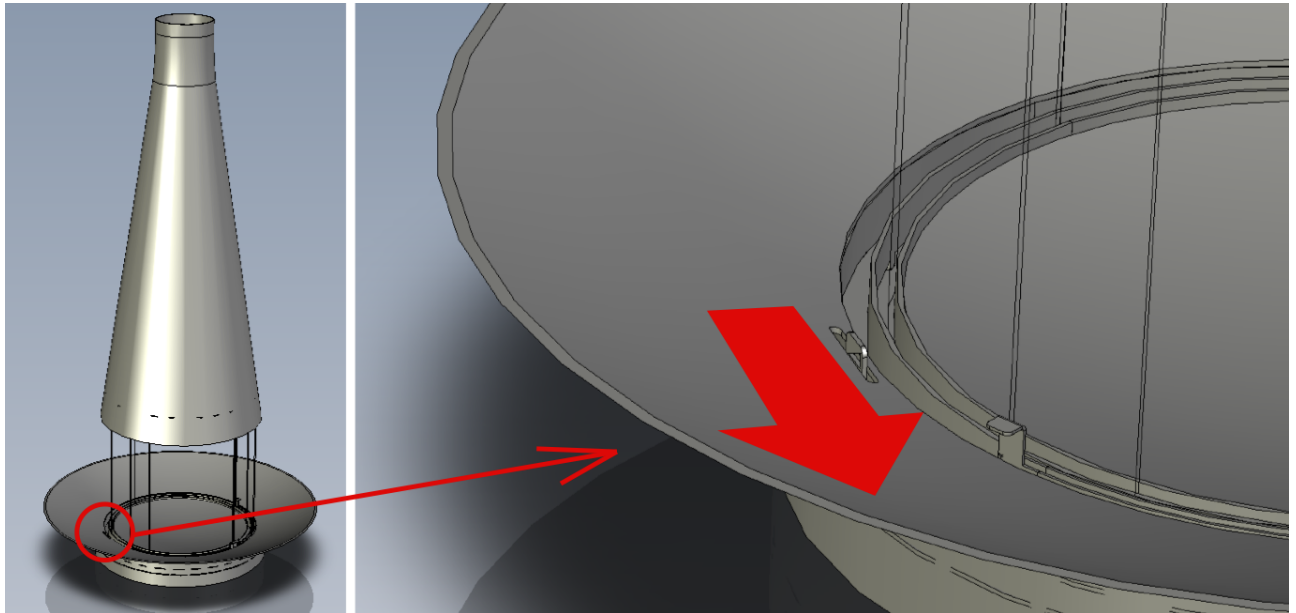
- not to be alarmed at possible smoking or residual odors. This is normal on the first fires and will rapidly subside.
- not to touch, rub or try to clean the fireplace while it is still hot.

To avoid thermal shocks, we strongly advise against throwing buckets of water on a very vigorous fire to try to put it out.

f) Building, starting and maintaining the fire :

DO NOT OVERLOAD YOUR FOCUS FIREPLACE TO AVOID OVER-FIRING.

Build the fire without elevating it, directly on the fire-dogs, not too close to the glasses. For starting the fire, we recommend using a small amount of fire starter with enough kindling (small logs or mill ends) to establish a primary fire. Fresh air intake must be fully open (push the handle in direction of the large side of the triangle, see hereunder illustration) :



After a few minutes, and making sure the primary fire is well started, add larger wood (between 3 and 7 pieces, depending on their size), directly on top, making sure not to smother the fire. Leave some spaces between the logs for air intake. Adapt the air intake position in order to avoid spillage.

To maintain or refuel your fire, add when needed (see note), a few larger logs.

Note : For the same weight of fuel, 10 logs will burn more intensely (and faster) than 3 logs, but you will get the same heat power at the end. The log size you buy will determine the heating and refueling time.

g) Protective glove :

The use of the focus special protective glove supplied with our models is required upon handling the cold handle, glass panels, fresh air controls, fire-dogs, etc.

5 – MAINTENANCE :

a) Taking out the ashes:

CAUTION : BE SURE THE FIRE IS OUT AND THE FIREPLACE BODY COLD BEFORE REMOVING ASHES!

To remove ashes we recommend to remove the fire-dogs and use a brush and a shovel. Dispose of ashes in an appropriate ash container (not supplied). After cleaning, be sure to secure the fireplace properly !

CAUTION : DO NOT LIGHT A FIRE WITH FIREDOGS REMOVED, AS THIS WILL PRODUCE OVER-FIRING OR HOUSE FIRE. DAMAGE CAUSED FROM NON-OBSERVANCE OF THIS CAUTION IS NOT COVERED UNDER FOCUS LIMITED WARRANTY.

b) Inspection, maintenance and cleaning of the chimney:

CAUTION : CHEMICAL SWEEP NOT PERMITTED: ONLY MECHANICAL SWEEP ALLOWED !

Referring to focus black steel flue : it must absolutely be swept with a nylon brush. Never use metal brushes! Damage caused from non-observance of this caution is not covered under the focus limited warranty.

Referring to chimney pipe : Creosote formation and need for removal:

When wood is burned slowly, it produces tar and other organic vapors, which combine with expelled moisture to form creosote. The creosote vapors

condense in the relatively cool chimney flue of a slow-burning fire. As a result, creosote residue accumulates on the flue lining. When ignited, this creosote makes an extremely hot fire. The chimney and chimney connector should be inspected at least once every two months during the heating season to determine if a creosote buildup has occurred. If a significant layer of creosote has accumulated (3mm or more) it should be removed to reduce the risk of a chimney fire.

In that case, call a professional chimney sweeper or buy a brush at your local focus retailer and clean the chimney this way :

Remove rain cap, use appropriately sized brush and sweep the entire system to remove all debris or refer to chimney manufacturer recommendations.

Communicate with the authorities (municipal, regional or provincial fire protection agency) to obtain all instructions concerning the measures to be taken when or before there is a risk of chimney fire.

Keep firing and de-ashing doors closed and maintain all seals in good condition.

c) Surfaces :

CAUTION : DO NOT SCRUB !

The outer surfaces can be wiped with a soft, dry rag (making sure the metal is cool).

For continued use of the touch-up paint can, following its initial usage, invert the can (spray head down) and spray into a balled up newspaper until the can sprays clear. Clean the spray can bottom with a dry rag and store out of the reach of children.

d) Directions and reasons for cleaning glass :

CRACKED OR BROKEN GLASS SHOULD BE REPLACED.

DO NOT CLEAN THE GLASS WHEN HOT.

GLASS DOORS SHOULD NOT BE STRUCK OR BANGED.

The outer surfaces can be wiped with a soft, dry rag and a standard glass cleaner product (making sure the glass is cool).

The inner surfaces can be cleaned with a special insert glass product.

e) Replacement parts:

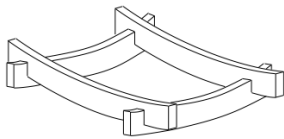
DO NOT USE SUBSTITUTE MATERIALS.

For ordering replacement parts, please contact the focus North American exclusive importer :

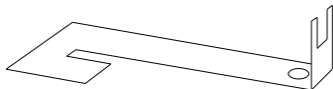
European Home

30 Log Bridge Road
 Building 300 - Unit 303
 Middleton, MA 01949
 Tel: 781-324-8383

- Fire-dogs :



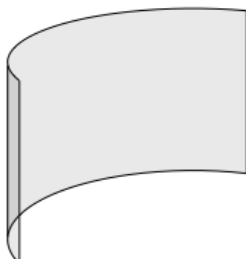
- Cold handle :



- Touch-up can :



- 4 Glass Panels:



2 Stationary pyroceramic sides:

Thickness 5/32" (4 mm)
 Height : 20-7/8" - 530 mm
 Radius : 11-1/4" - 286 mm
 Developed length : 20-3/32" - 510 mm

2 pyroceramic glass door :

Thickness 5/32" (4 mm)
 Height : 20-7/8" - 530 mm
 Radius : 12" - 305 mm
 Developed length : 18-1/8" - 460 mm

6 – WARRANTY:

All of our Focus models are guaranteed against any defect in design, construction, or manufacture, and guaranteed to function properly for 5 years from date of order. Our product guarantees are applicable only when our fireplaces have been installed with respect to all local building codes and with strict attention to the technical details outlined in our Plan Study as well as our installation, maintenance, and users manuals. Our guarantee excludes accidental damages such as those occurring during transport without written notification upon receipt, damages incurred during installation, and damages resulting from improper use.

Appendix.

How to determine if alternate floor protection materials are acceptable.

All floor protection must be non-combustible (i.e., metals, brick, stone, mineral fiber boards, etc.). Any organic materials (i.e., plastics, wood paper products, etc.) are combustible and must not be used. The floor protection specified includes some form of thermal designation such as R-value (thermal resistance) or k-factor (thermal conductivity).

PROCEDURE:

1. Convert specification to R-value:

- i. R-value given - no conversion needed.
- ii. k-factor is given with a required thickness (T) in inches:

$$R = \frac{1}{k} \times T$$

- iii. K-factor is given with a required thickness (T) in inches:

$$R = \frac{1}{K \times 12} \times T$$

- iv. r-factor is given with a required thickness (T) in inches:

$$R = r \times T$$

2. Determine the R-value of the proposed alternate floor protector.

- i. Use the formula in step (1) to convert values not expressed as “R”.
- ii. For multiple layers, add R-values of each layer to determine overall R-value.

3. If the overall R-value of the system is greater than the R-value of the specified floor protector, the alternate is acceptable.

EXAMPLE: The specified floor protector should be 3/4-inch thick material with a k-factor of 0.84. The proposed alternate is 4” brick with an r-factor of 0.2 over 1/8” mineral board with a k-factor of 0.29.

Step (a): Use formula above to convert specification to R-value.

$$R = \frac{1}{k} \times T = \frac{1}{0.84} \times 0.75 = 0.893$$

Step (b): Calculate R of proposed system.

4” brick of r = 0.2, therefore:

$$R_{\text{brick}} = 0.2 \times 4 = 0.431$$

1/8” mineral board of k = 0.29, therefore

$$R_{\text{mineral board}} = \frac{1}{0.29} \times 0.125 = 0.431$$

$$R_{\text{total}} = R_{\text{brick}} + R_{\text{mineral board}} = 0.8 + 0.431 = 1.231$$

Step (c): Compare proposed system R_{total} of 1.231 to specified R of 0.893. Since proposed system R_{total} is greater than required, the system is acceptable.

DEFINITIONS:

$$R = \frac{(\text{ft}^2)(\text{hr})(^\circ\text{F})}{\text{Btu}} \quad k = \frac{(\text{Btu})(\text{in})}{(\text{ft}^2)(\text{hr})(^\circ\text{F})} = K \times 12 \quad K = \frac{(\text{Btu})(\text{ft})}{(\text{ft}^2)(\text{hr})(^\circ\text{F})} \quad r = \frac{(\text{ft}^2)(\text{hr})(^\circ\text{F})}{(\text{Btu})(\text{in})} = \frac{1}{k}$$