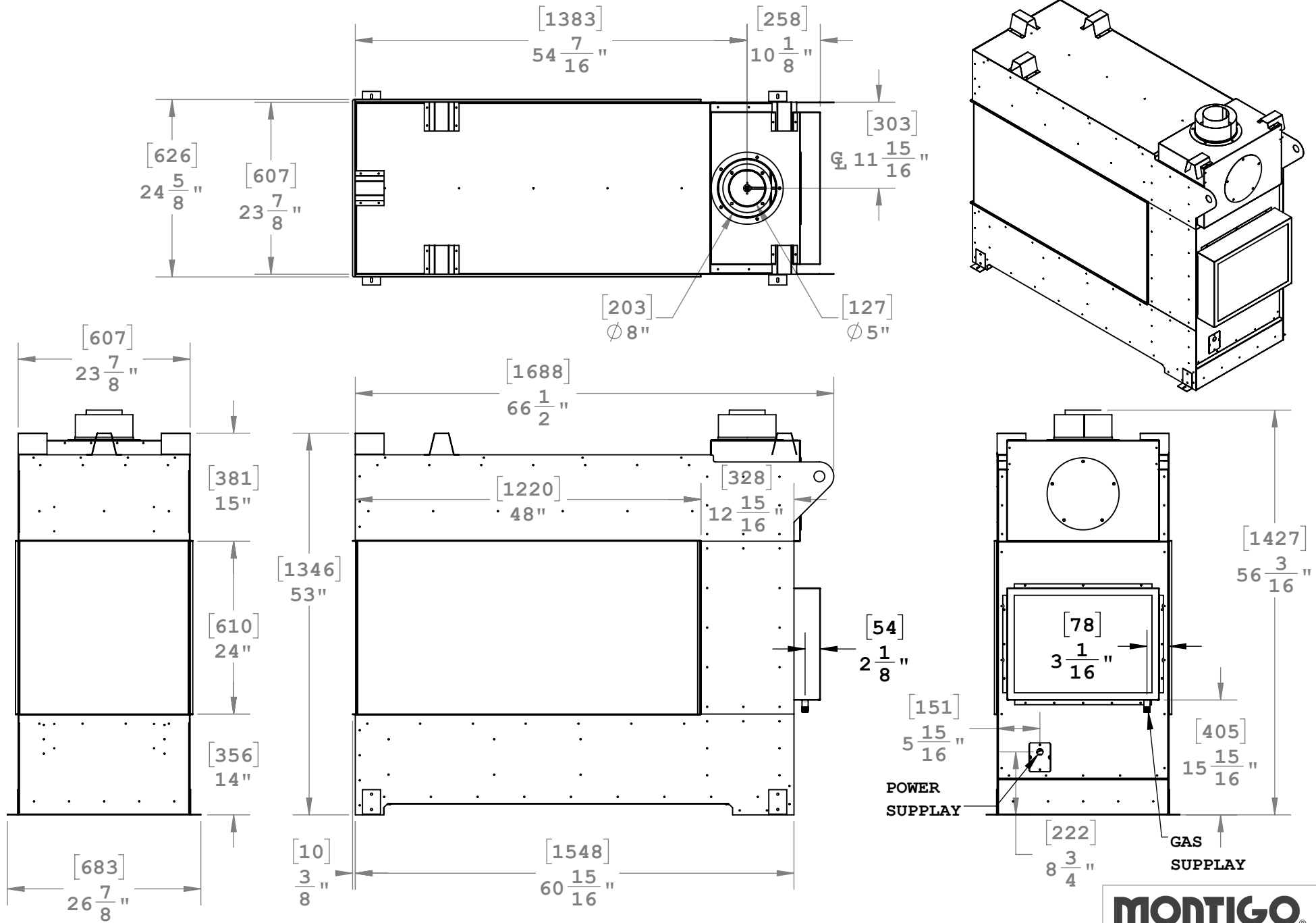


PROPRIETARY AND CONFIDENTIAL



DIMENSIONS TOLERANCES ARE IN:  
METRIC - MM ± 1.6 MM  
IMPERIAL - FRACTIONAL ± 1/16"

**MONTIGO**  
the art of fireplaces

RP424-PFC

DATE: October-04-17 9:45:37 AM

THE INFORMATION CONTAINED IN THIS DRAWING IS THE SOLE PROPERTY OF CANADIAN HEATING PRODUCTS. ANY REPRODUCTION IN PART OR AS A WHOLE WITHOUT THE WRITTEN PERMISSION OF CANADIAN HEATING PRODUCTS IS PROHIBITED.