

nolafire



NF30 GAS FIREPLACE INSERT

High Definition Ceramic Log Set

NF30 GAS FIREPLACE INSERT



Black Diamond Glass

Fireplace Details

BTU Maximum Input	33,000 BTU
BTU Minimum Output*	15,698 BTU
Heating Area	1,700 ft ²
Energide FE Rating (P4)	71.4%
Steady State Efficiency**	78%
Weight	116 lbs

* (33,000 BTU - 33% Turndown) x Efficiency

** Steady state rating based on conventional venting configuration.

Clearance to Combustibles

A - center of unit to side wall	21"
B - bottom of unit to bottom of 12" mantle	36"
C - unit bottom to max. ¾" combustible facing	30"
D - center of unit to side facing	21"
E - front of door to edge of floor protection	0"*

However it is still recommended to use 12" of floor protection especially when carpet or linoleum flooring are used in front of the insert.

Design Features

- Clean Face Look — No Louvers
- SIT Valve 885 (IPI System with Remote)
- Glass Size: 26¼"w x 16"h, 420 in²
- 25"h | 38"w Surround Panel
- Black Enameled Liner
- 150 CFM Room Fan (with variable control)
- Two Burner Options
 - High Definition Ceramic Log Set
 - Black Diamond Glass



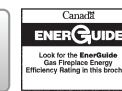
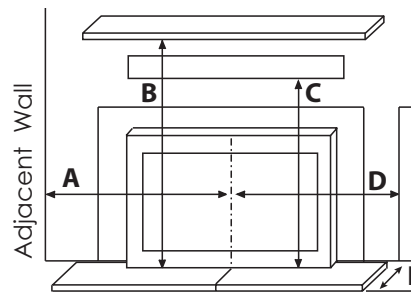
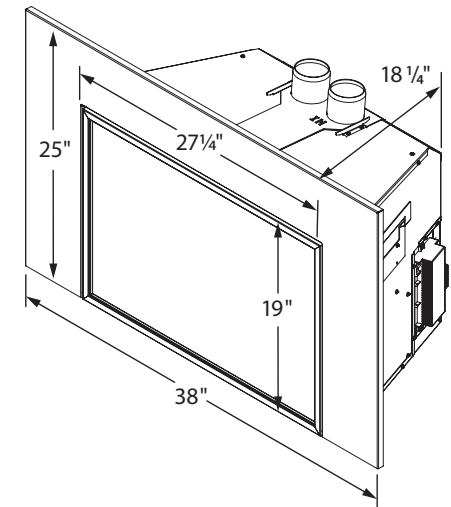
High Definition Ceramic Log Set



Black Diamond Glass

Install Dimensions

Minimum Height	20"
Minimum Width	28"
Minimum Depth	18¼"



Proudly manufactured in Canada.

POP-325

