

**nolafire**



**NF30** GAS FIREPLACE INSERT

*High Definition Ceramic Log Set*

# NF30 GAS FIREPLACE INSERT



Black Diamond Glass

## Fireplace Details

BTU Maximum Input	33,000 BTU
BTU Minimum Output*	10,000 BTU
Heating Area	1,700 sq. ft.
Energuide FE Rating (P4)	70%
AFUE Rating (DV)	63%
Steady State Efficiency**	78%
Weight	116 lbs

\* Turn down based on AFUE efficiencies on low.

\*\* Steady state rating based on conventional venting configuration.

## Design Features

- Clean Face Look — No Louvers
- SIT Valve 885 (IPI System with Remote)
- Glass Size: 26 $\frac{1}{4}$ " x 16", 420 in<sup>2</sup>
- 27" | 39 $\frac{7}{8}$ " Surround Panel
- Black Enameled Liner
- Easy Access Burner Switch
- 150 CFM Room Fan (with variable control)
- Two Burner Options
  - High Definition Ceramic Log Set
  - Black Diamond Glass



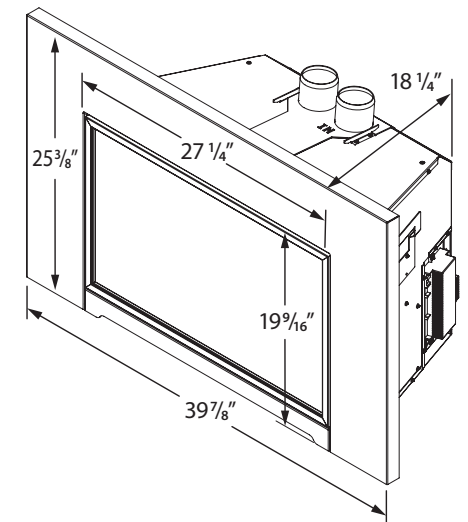
High Definition Ceramic Log Set



Black Diamond Glass

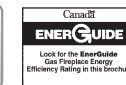
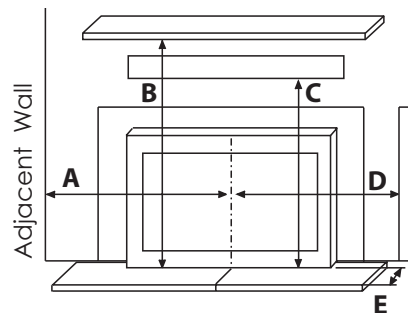
## Install Dimentions

Minimum Height	19 $\frac{1}{16}$ "
Minimum Width	27 $\frac{1}{4}$ "
Minimum Depth	18 $\frac{1}{4}$ "



## Clearance to Combustibles

A - center of unit to side wall	21"
B - bottom of unit to bottom of 12" mantle	36"
C - unit bottom to max. $\frac{3}{4}$ " combustible facing	30"
D - center of unit to side facing	21"
E - front of door to edge of floor protection	16"



Proudly manufactured in Canada.

POP-325



nolafire