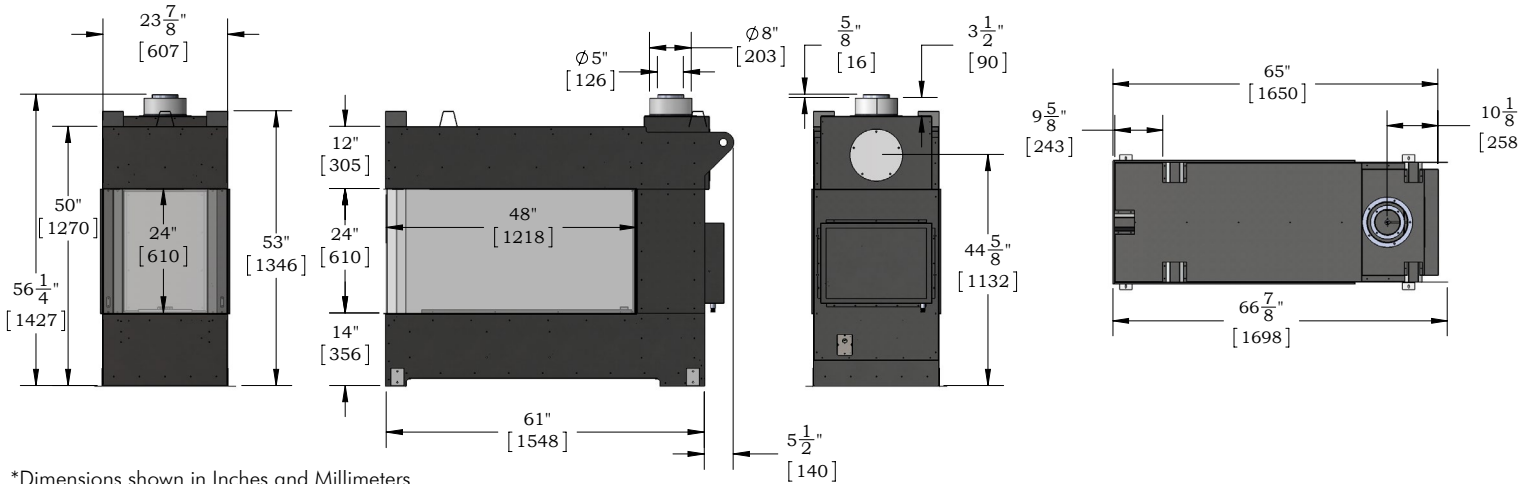


RP-Series Peninsula



Unit Dimensions



*Dimensions shown in Inches and Millimeters.

RP424PFC Specs

BTUs/hr		Venting	Height		Front Width		Depth	
Natural Gas	Propane	Top or Rear	Actual	Framing	Actual	Framing	Actual	Framing
45,000	45,000	5"/8"	Top Vent 56 1/4" Rear Vent 53"	Top Vent 53" Rear Vent 53"	23 7/8"	24"	65"	68"

Media Choices



Fireglass
(Offered in many colours)



Speckled Stones



Firestones
(Offered in many colours)



Fireglass with optional
Driftwood Log Set

Features

- Glass barrier that meets the 2015 safety standards - No mesh screens required!
- Frameless window design
- Zero clearance to combustibles, including facing
- In-burner accent lighting
- Reflective firebox liner
- Your choice of speckled stones, firestones, or fireglass
- 5" x 8" Venting
- Power vent dedicated*
- Convertible to top or rear vent
- Supplied with premium control panel with status & failure LED indicators for easy installation & troubleshooting
- Compatible with 24VAC home automation systems
- Manufactured in North America

*Maximum vent run of 25' with one 90° Elbow. Power vent required.

Options

- Optional driftwood log set available (Driftwood with Speckled Stones shown on reverse)
- Remote control
- Three choices of Montigo's 300-series exterior, vertical or flush louvered power vents



www.montigo.com

