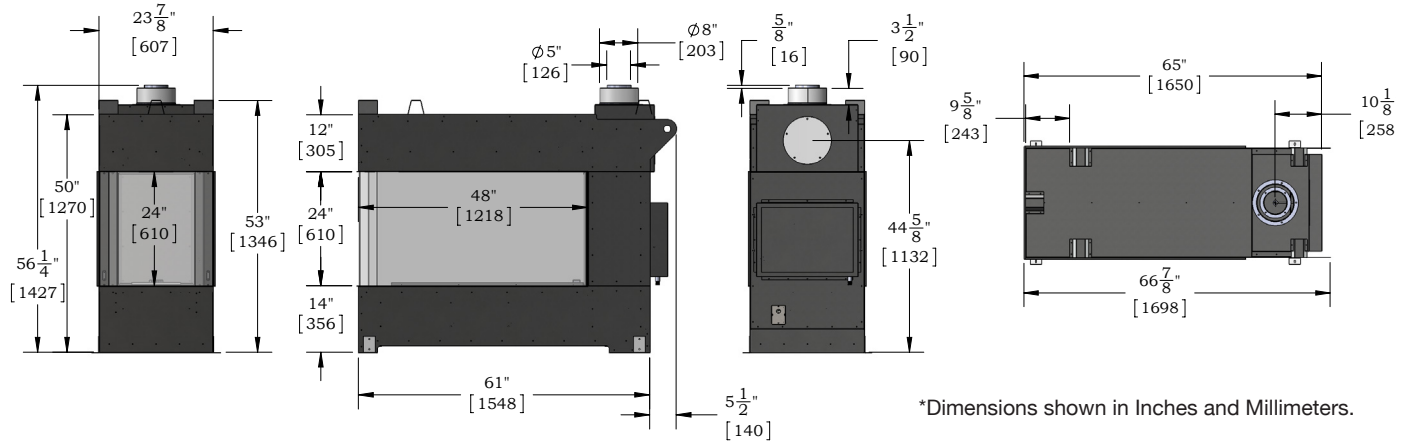


# RP-Series Peninsula



## Unit Dimensions



## RP424PFC Specs

BTUs/hr		Venting	Height		Front Width		Depth	
Natural Gas	Propane	Top or Rear	Actual	Framing	Actual	Framing	Actual	Framing
45,000	45,000	5" / 8"	Top Vent 56 1/4" Rear Vent 53"	Top Vent 53" Rear Vent 53"	23 7/8" 24"	24"	65" 68"	68"

## Media Choices



Fireglass  
(Offered in many colours)



Speckled Stones



Firestones  
(Offered in many colours)



Fireglass with optional  
Driftwood Log Set

## Features

- Glass barrier that meets the 2015 safety standards - No mesh screens required!
- Frameless window design
- Zero clearance to combustibles, including facing
- In-burner accent lighting
- Reflective firebox liner
- Your choice of speckled stones, firestones, or fireglass
- 5" x 8" Venting
- Power vent dedicated\*
- Convertible to top or rear vent
- Supplied with premium control panel with status & failure LED indicators for easy installation & troubleshooting
- Compatible with 24VAC home automation systems
- Manufactured in North America

\*Maximum vent run of 25' with one 90° Elbow. Power vent required.

## Options

- Optional driftwood log set available (Driftwood with Speckled Stones shown on reverse)
- Remote control
- Three choices of Montigo's 300-series exterior, vertical or flush louvered power vents

**MONTIGO**  
the art of fireplaces®

www.montigo.com

