



Brigantia

FIREPLACES



24-DVRS25N

GAS FIRED VENTED ROOM HEATER (DIRECT VENT)

SERIAL NUMBERS 300143 AND HIGHER

USERS' INSTALLATION OPERATION AND MAINTENANCE MANUAL

WARNING: If the information in this manual is not followed exactly, a fire or explosion may result causing property damage, personal injury or loss of life.

Do not store or use gasoline or other flammable vapors and liquids in the vicinity of this or any other appliance.

WHAT TO DO IF YOU SMELL GAS:

- * Do not try to light any appliance.
- * Do not touch any electrical switch; do not use any phone in your building.
- * Immediately call your gas supplier from a neighbor's phone. Follow the gas supplier's instructions.
- * If you cannot reach your gas supplier, call the fire department.

Installation and service must be performed by a qualified installer, service agency or the gas supplier.

This appliance may be installed in an aftermarket permanently located, manufactured home (USA only) or mobile home, where not prohibited by local codes.

This appliance is only for use with the type of gas indicated on the rating plate. This appliance is not convertible for use with other gases, unless a certified kit is used.

*Conversion kit required for Propane use

WARNING



**HOT GLASS WILL
CAUSE BURNS**

**DO NOT TOUCH GLASS
UNTIL COOLED**

**NEVER ALLOW CHILDREN
TO TOUCH GLASS**

Tested and
listed by



We recommend that our gas hearth products be installed and serviced by professionals who are certified in the U.S. by the National Fireplace Institute® (NFI) as NFI Gas Specialists.

INSTALLER: Leave this manual with the appliance.
CONSUMER: Retain this manual for future reference.

STATE OF MASSACHUSETTS REQUIREMENTS

5.08: Modifications to NFPA-54, Chapter 10

(2) Revise 10.8.3 by adding the following additional requirements:

(a) For all side wall horizontally vented gas fueled equipment installed in every dwelling, building or structure used in whole or in part for residential purposes, including those owned or operated by the Commonwealth and where the side wall exhaust vent termination is less than seven (7) feet above finished grade in the area of the venting, including but not limited to decks and porches, the following requirements shall be satisfied:

1. **INSTALLATION OF CARBON MONOXIDE DETECTORS.** At the time of installation of the side wall horizontal vented gas fueled equipment, the installing plumber or gasfitter shall observe that a hard wired carbon monoxide detector with an alarm and battery back-up is installed on the floor level where the gas equipment is to be installed. In addition, the installing plumber or gasfitter shall observe that a battery operated or hard wired carbon monoxide detector with an alarm is installed on each additional level of the dwelling, building or structure served by the side wall horizontal vented gas fueled equipment. It shall be the responsibility of the property owner to secure the services of qualified licensed professionals for the installation of hard wired carbon monoxide detectors

a. In the event that the side wall horizontally vented gas fueled equipment is installed in a crawl space or an attic, the hard wired carbon monoxide detector with alarm and battery back-up may be installed on the next adjacent floor level.

b. In the event that the requirements of this subdivision can not be met at the time of completion of installation, the owner shall have a period of thirty (30) days to comply with the above requirements; provided, however, that during said thirty (30) day period, a battery operated carbon monoxide detector with an alarm shall be installed.

2. **APPROVED CARBON MONOXIDE DETECTORS.** Each carbon monoxide detector as required in accordance with the above provisions shall comply with NFPA 720 and be ANSI/UL 2034 listed and IAS certified.

3. **SIGNAGE.** A metal or plastic identification plate shall be permanently mounted to the exterior of the building at a minimum height of eight (8) feet above grade directly in line with the exhaust vent terminal for the horizontally vented gas fueled heating appliance or equipment. The sign shall read, in print size no less than one-half (1/2) inch in size, **"GAS VENT DIRECTLY BELOW. KEEP CLEAR OF ALL OBSTRUCTIONS"**.

4. **INSPECTION.** The state or local gas inspector of the side wall horizontally vented gas fueled equipment shall not approve the installation unless, upon inspection, the inspector observes carbon monoxide detectors and signage installed in accordance with the provisions of 248 CMR 5.08(2)(a)1 through 4.

(b) **EXEMPTIONS:** The following equipment is exempt from 248 CMR 5.08(2)(a)1 through 4:

1. The equipment listed in Chapter 10 entitled "Equipment Not Required To Be Vented" in the most current edition of NFPA 54 as adopted by the Board; and

2. Product Approved side wall horizontally vented gas fueled equipment installed in a room or structure separate from the dwelling, building or structure used in whole or in part for residential purposes.

(c) **MANUFACTURER REQUIREMENTS - GAS EQUIPMENT VENTING SYSTEM PROVIDED.** When the manufacturer of Product Approved side wall horizontally vented gas equipment provides a venting system design or venting system components with the equipment, the instructions provided by the manufacturer for installation of the equipment and the venting system shall include:

1. Detailed instructions for the installation of the venting system design or the venting system components; and

2. A complete parts list for the venting system design or venting system.

(d) **MANUFACTURER REQUIREMENTS - GAS EQUIPMENT VENTING SYSTEM NOT PROVIDED.** When the manufacturer of a Product Approved side wall horizontally vented gas fueled equipment does not provide the parts for venting the flue gases, but identifies "special venting systems", the following requirements shall be satisfied by the manufacturer:

1. The referenced "special venting system" instructions shall be included with the appliance or equipment installation instructions; and

2. The "special venting systems" shall be Product Approved by the Board, and the instructions for that system shall include a parts list and detailed installation instructions.

(e) A copy of all installation instructions for all Product Approved side wall horizontally vented gas fueled equipment, all venting instructions, all parts lists for venting instructions, and/or all venting design instructions shall remain with the appliance or equipment at the completion of the installation.

For the State of Massachusetts, installation and repair must be done by a plumber or gasfitter licensed in the Commonwealth of Massachusetts.

For the State of Massachusetts, flexible connectors shall not exceed 36 inches in length.

The State of Massachusetts requires the installation of a carbon monoxide alarm in accordance with NFPA 720 and a CO alarm with battery back up in the same room where the gas appliance is installed.

For the State of Massachusetts the appliances individual shut – off must be a t-handle type valve.

INTRODUCTION

Congratulations on choosing a Brigantia!

The 24-DVRS25N is one of the most advanced Direct Vent Gas Fireplace heaters available today. It is solidly designed using the latest technology and manufactured to the highest quality. It is our aim to provide you with an appliance for many trouble-free years of reliable service.

Some of the many features of your 24-DVRS25N are:

- **Heater Classification** The 24-DVRS25N is classified as a heating appliance. Therefore, it uses Direct Vent safety technology and it is suitable for continuously operated zone heating.
- **High Efficiency** The 24-DVRS25N has one of the highest efficiencies of any Direct Vent gas fireplace, which means that it is less expensive to operate.
- **Adjustable Flame** The flame aesthetics and heat output can be adjusted to suit the owner's liking and heating needs.
- **Solid Construction** The 24-DVRS25N is mainly constructed of 16 and 18 gauge galvanized and aluminized coated steel for long life and durability.
- **Optional Accessories** Check with your Authorized Brigantia Dealer for a full complement of decorative accessories to suit your home's décor and your tastes.
- **Electronic Control System** The 24-DVRS25N uses a gas control valve that is operated by a Multifunction Remote Control. It can be used as either an Intermittent Pilot or Standing Pilot system.

Fireplace Model Number **24-DVRS25N** _____

Fireplace Serial Number _____

Date of Installation _____

Type of Gas Used by the Fireplace _____

Dealer's Name _____

TABLE OF CONTENTS

Caution and Safety Instructions	
Appliance Certification, Installation Codes and Specifications	
Rating Plate	
Appliance Dimensions and Framing Dimensions	
Installation Instructions	
Clearance to Combustibles	
Venting Instructions	
Aeration Adjustment	
Gas Connections	
Conversion Kit Instructions	
Final Installation Check and Initial Operation	
First Fire and Lighting Instructions (CAUTION)	
Lighting Instructions on Rating Plate	
Remote Control Setup and Operation	
Maintenance and Cleaning the Appliance	
Component Removal	
Servicing Under Warranty	
Checking Inlet/Outlet gas pressures, Adjusting Pilot and Convertible Pilot Orifice	
Wiring Schematics	
Warranty	
Frequently Asked Questions	
Notes	
Warranty Registration Card	

CAUTION

FOR YOUR SAFETY - Do not install or operate your Brigantia 24-DVRS25N without reading and understanding this manual. Any installation or operational deviation from this instruction manual voids the Archgard Industries Warranty and may prove hazardous.

This appliance must be installed by a qualified gas installer and the installation must conform to the installation codes.

Provide adequate clearance around air openings.

Never obstruct front openings.

Provide adequate clearances for proper operation and servicing of the appliance.

This appliance must be properly connected to an approved venting system and must not be connected to a chimney flue serving a separate solid fuel burning appliance.

Must provide adequate clearance around the intake and exhaust openings

SAFETY

Due to high temperatures, the appliance should be located out of traffic and away from furniture and draperies.

Children and adults should be alerted to the hazards of high surface temperature and stay away to avoid burns or clothing ignition.

Young children should be carefully supervised when they are in the same room as the appliance. Toddlers, young children and others may be susceptible to accidental contact burns. A physical barrier is recommended if there are at risk individuals in the house. To restrict access to a fireplace or stove, install an adjustable safety gate to keep toddlers, young children and other at risk individuals out of the room and away from hot surfaces.

Clothing or other flammable material should not be placed on or near the appliance.

Do not operate with cracked or broken glass. Be careful not to strike or slam the glass.

Any safety screen or guard removed for servicing an appliance must be replaced prior to operating.

Installation and Repair should be done by a qualified service person. The appliance should be inspected before use and at least annually by a professional service person. More frequent cleaning may be required due to excessive lint from carpeting, bedding materials, etc. It is imperative that the control compartments, burners and circulating air passageways of the appliance are kept clean.

Do not use this appliance if any part has been under water. Immediately call a qualified service technician to inspect the appliance and to replace any part of the control system and any gas control which has been under water.

APPLIANCE CERTIFICATION

This appliance was listed by LABTEST Certification Inc to the following USA and Canadian gas appliance standards.

- ANSI Z21.88-2009/CSA 2.33-2009 Vented Gas Fireplace Heaters
- CAN/CGA-2.17-M91, Gas-Fired Appliances for Use at High Altitudes
- CSA P.4.1-09 testing method for measuring annual fireplace efficiency.

The listing label is attached to the appliance on the bottom right side of the appliance.

Please contact Archgard Industries Ltd., if you have any questions regarding the certification of this appliance.

INSTALLATION CODES

This appliance must be installed by a qualified gas appliance installer. The installation must conform with the local codes or, in the absence of local codes, with the current National Fuel Gas Code ANSI Z223.1/ NFPA 54 in the US, or Installation Code CAN/CGA-B149.1 in Canada. Electrical connections and grounding must conform with local code, or current National Electrical code ANSI/NFPA No. 70-1987 in the US, and in Canada the current Canadian Electrical Code CSA C22.1.

A manufactured home (USA only) or mobile home OEM installation must conform with the Manufactured Home Construction and Safety Standard, Title 24CFR, Part 3280, or, when such a standard is not applicable, the Standard for manufactured Home Installations, ANSI/NCSCBS A225.1 or Standard for Gas Equipped Recreational vehicles and Mobile Housing, CSA Z240.4 **We recommend that our gas hearth products be installed and serviced by professionals who are certified in the U.S. by the National Fireplace Institute®(NFI) as NFI Gas Specialists.**

SPECIFICATIONS

	Natural Gas (NG)	Propane (LP)
Manifold Pressure	3.5 in. W.C. (0.9 kPa)	10.0 in. W.C. (2.5 kPa)
Min. Supply Pressure	4.5 in. W.C. (1.2 kPa)	11.0 in. W.C. (2.8 kPa)
Max Supply Pressure	14.0 in. W.C. (3.5 kPa)	14.0 in. W.C. (3.5 kPa)
Orifice Size	#43 DMS (2.82 mm dia)	#54 DMS (1.72 mm dia)
Nominal Input Rating	14 - 25,000 BTU/hr (4.4- 9.1kW)	14 - 25,000 BTU/hr (4.4 -9.1kW)
Electrical Rating	120 VAC, 60Hz less than 2 A.	120 VAC, 60Hz less than 2 A.
Gas Control	SIT 885 Proflame II	SIT 885 Proflame II
Altitude	0 - 4,500 ft. (0 - 1372 M)	0 - 4,500 ft. (0 - 1372 M)
Primary Air Opening	1/4" (6 mm) OPEN	FULLY OPEN

HIGH ALTITUDE INSTALLATION

When installing this appliance beyond 4500 ft. (1372 M) above sea level, the appliance must be properly de-rated and installed according to local codes, in the absence of local codes, with the current National Fuel Gas Code, ANSI Z223.1/ NFPA 54, in the US or Installation Code, CAN/CGA-B149, in Canada.

RATING PLATE



NG / NATURAL
 LP / PROPANE

DO NOT REMOVE THIS LABEL

de série **LC**
 Serial #

NE PAS ENLEVER CETTE ÉTIQUETTE

MODEL / MODÈLE: **24-DVRS25N**

LISTED VENTED GAS FIREPLACE HEATER and GAS-FIRED APPLIANCES FOR USE AT HIGH ALTITUDES. RADIATEUR VENTILE, CIRCULATEUR DU TYPE VENTILATEUR. Tested to / Testée selon les normes : ANSI Z21.88-2009 / CSA 2.33-2009 and CAN/CGA-2.17-M91 VENTED GAS FIREPLACE HEATER-NOT FOR USE WITH SOLID FUEL. This vented gas fireplace heater is not for use with air filters. Certified for use in both CANADA and USA. / Certifié pour utilisation dans le Canada et les ÉTATS-UNIS

	NG	LPG
Input rating / Entrée assignée	14,000 - 25,000 BTU/hr (4.10 - 7.33 kW)	14,000 - 25,000 BTU/hr (4.10 - 7.33 kW)
Manifold pressure / Pression d'admission	3.5" W.C. (0.9 kPa)	10.0" W.C. (2.5 kPa)
Orifice size / Dimension de l'orifice	#43 DMS (2.26 mm dia.)	#54 DMS (1.397 mm dia.)
Minimum supply pressure for purpose of input adjustment / Pression minimale d'alimentation pour le but d'ajustement de contribution	5.0" W.C. (1.2 kPa)	11.0" W.C. (2.8 kPa)
Control valve / La soupape contrôle:	SIT 885 Proflame II	SIT 885 Proflame II
Altitude / Elevation	0 - 4500 ft (0 - 1372 m)	0 - 4500 ft (0 - 1372 m)
Electrical rating / Tension électrique	120 VAC, 60Hz less than 2 A.	120 VAC, 60Hz less than 2 A.
<p>Keep burner and control compartment clean. See Instructions accompanying the heater. Maintenir propres le brûleur et le compartiment de commande. Voir les instructions relatives à l'installation et au fonctionnement qui accompagnent le radiateur.</p> <p>Optional fuel conversion kit : 24-CKELP</p> <p>Clearances measured from outer surround unless otherwise noted</p>	<p>Minimum clearances to Combustibles / Distances: Minimales entre l'appareil et les combustibles:</p> <p>Ceiling / Plafond: 12" (305 mm) Floor / Plancher: 4" (102 mm) Adjacent Side Wall/Paroi latérale adjacent: 4" (102 mm)</p> <p>See Owners Manual for additional clearances</p>	

This appliance must be installed in accordance with local codes, if any; if none, follow the National Fuel Gas Code, ANSI Z223.1/NFPA 54, or Natural Gas and Propane Installation Codes, CSA B149,1. Electrical connections and grounding must be in accordance with local codes, if any; if none, follow the current CAN/CSA C22.1 in Canada and ANSI/NFPA 70 in the US. This appliance is certified for installation in a bedroom or a bed sitting room. This appliance is only for use with the gas indicated on the rating plate and may be installed in an aftermarket, permanently located, manufactured (mobile) home where not prohibited by local codes. See owner's manual for details. This appliance is not convertible with other gases, unless a certified kit is used.

FOR USE WITH GLASS DOORS CERTIFIED WITH THIS APPLIANCE ONLY.

Il faut que cet appareil soit installé selon les codes locaux, s'il y en a; sinon, suivre le CAN/CGA-B149 actuel au Canada et ANSI Z223.1 aux É.-U. Il faut que le raccordement électrique et la mise à la masse soient en conformité avec les codes locaux, s'il y en a; sinon, suivre le CAN/CSA C22.1 actuel au Canada et ANSI/NFPA 70 aux É.-U. Cet appareil est certifié pour l'installation dans une chambre à coucher ou une pièce qui sert de chambre.

Made in Canada by / Fabrique au Canada par:
Archgard Industries Ltd. Mission, B.C.

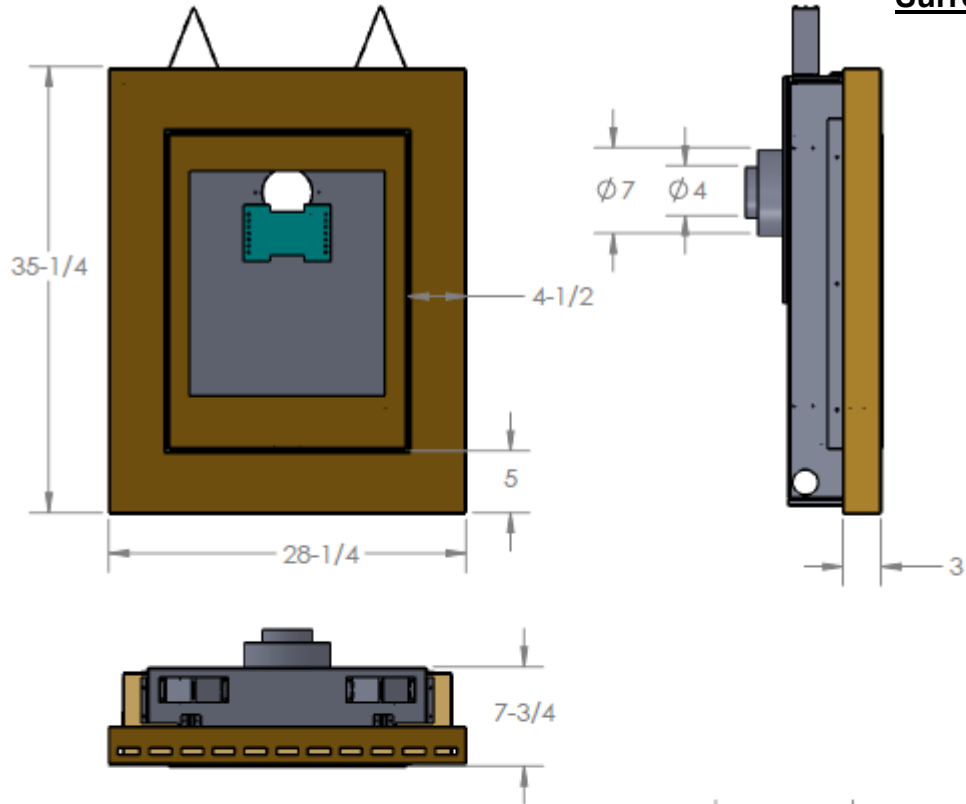
303-6024 May 2013

WDL

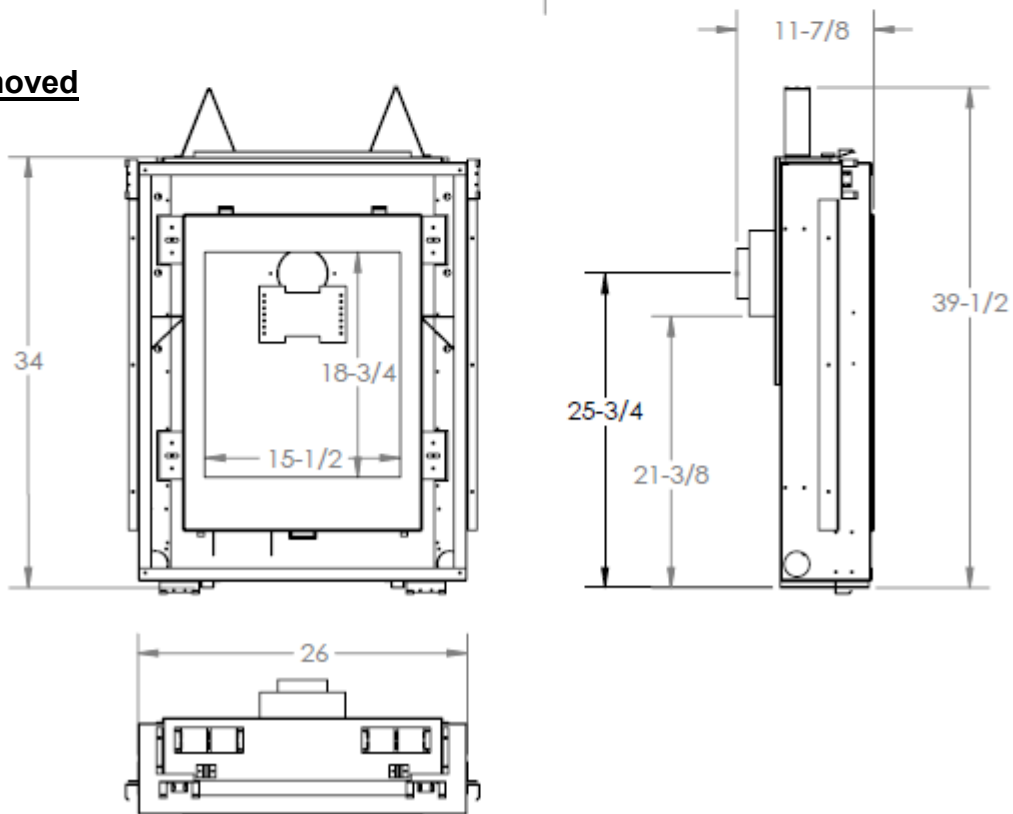


APPLIANCE DIMENSIONS

Surround Installed



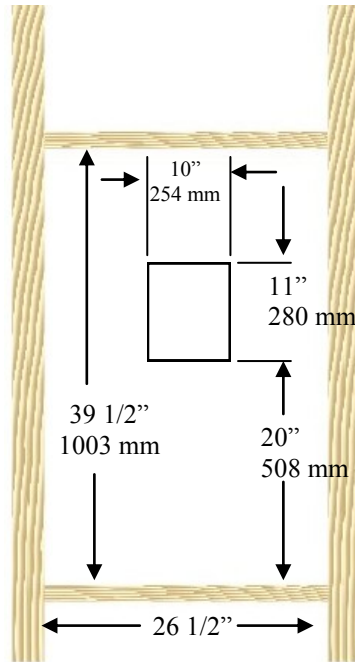
Surround Removed



Framing Dimensions

The following section describes in detail the requirements for framing for the model 24-DVRSE25N.

Note: Framing should be constructed as required by local building codes



Construct the opening to dimensions shown:

26 1/2" wide x 39 1/2" high X 5 1/2" deep

Unit must be min 4" up from combustible floor

Installation Instructions

Frame hole out opening and cut out hole for the termination and thimble as shown in figure 1 and 2.

When installing on an exterior wall you must include the exterior wall insulation and termination kit. Place insulation board with the foil facing in to the room as shown in figure 3

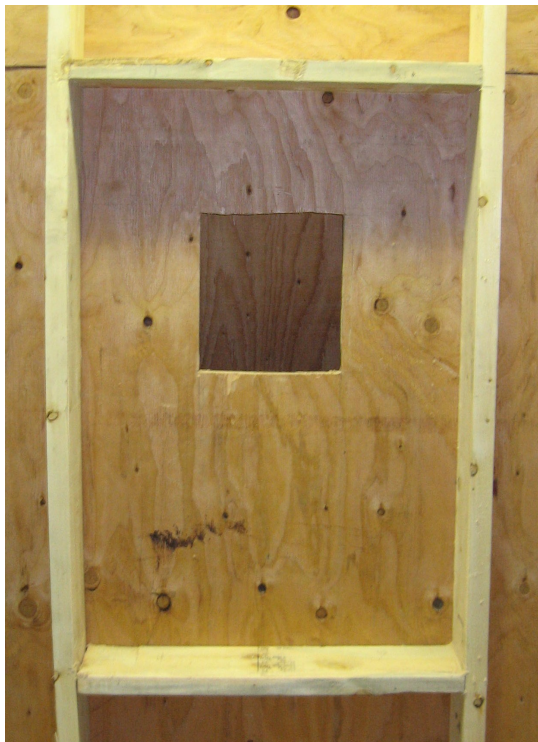


Figure 2

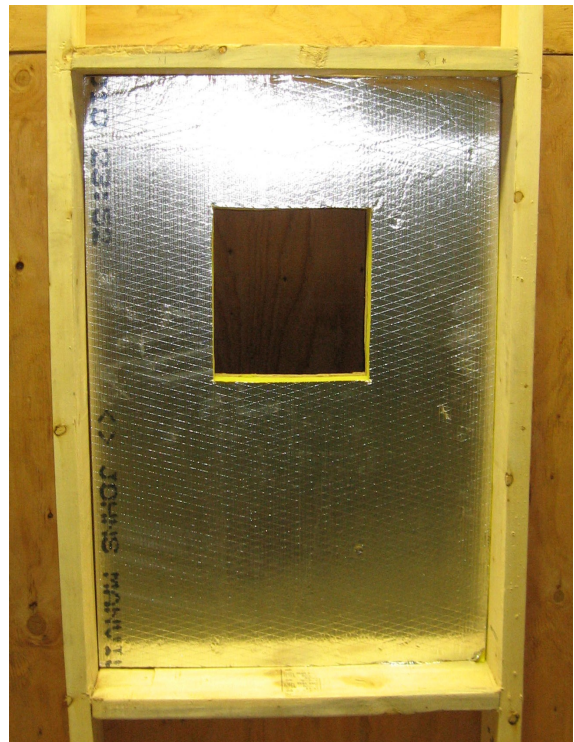


Figure 3

Installation Instructions Cont.

Install the inside portion of the wall thimble and seal the entire inside with a high temperature silicone sealant. This is critical to prevent cold drafts. See figure 4

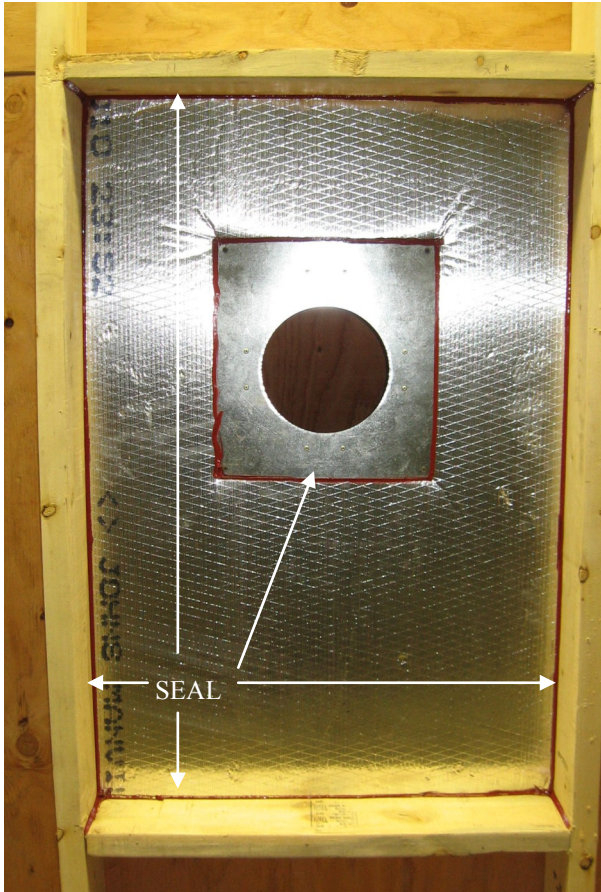


Figure 4

Install the nailing flanges provide by screwing them to the side of the outer shell using the hole required for the facing material. Then place the fireplace into the framed opening and nail or screw the nailing flanges to the wall.

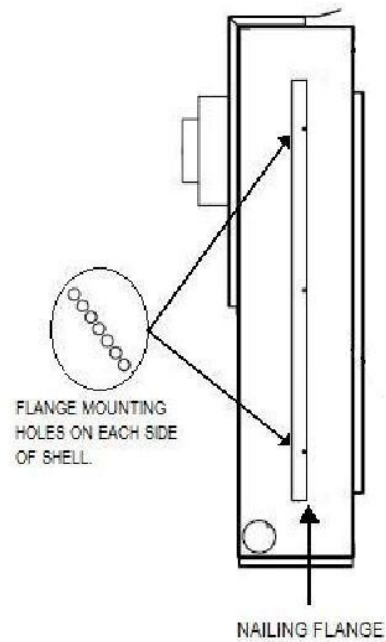


Figure 5

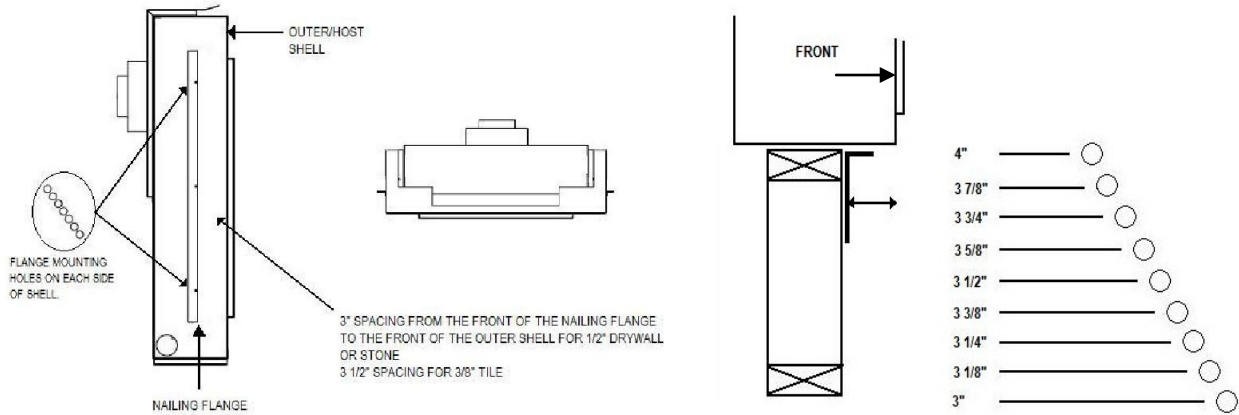


Figure 6

Go to the outside and caulk the vent collar and firestop to prevent cold drafts. See figure 6.

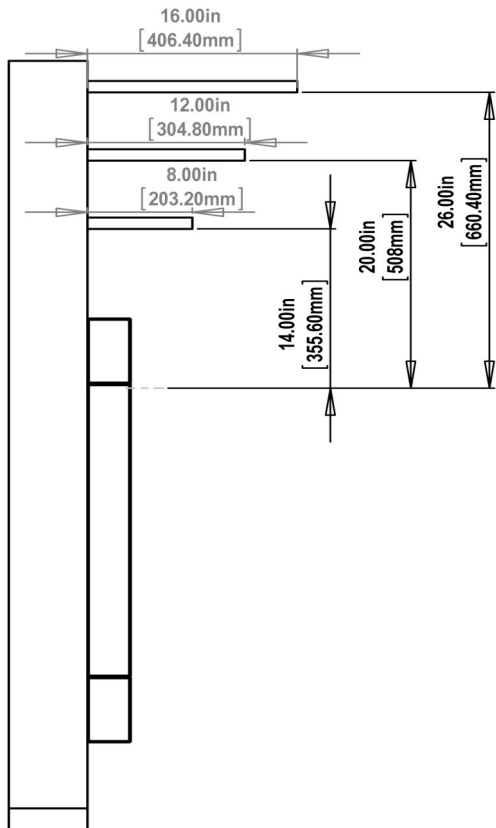
Install the termination.

Nailing Flanges



Install the nailing flanges provided, by screwing them to the side of the outer shell using the appropriate holes for the facing material. Place the fireplace into the framed opening and secure the nailing flanges to the wall.

Mantle Clearances



Clearance to Combustibles

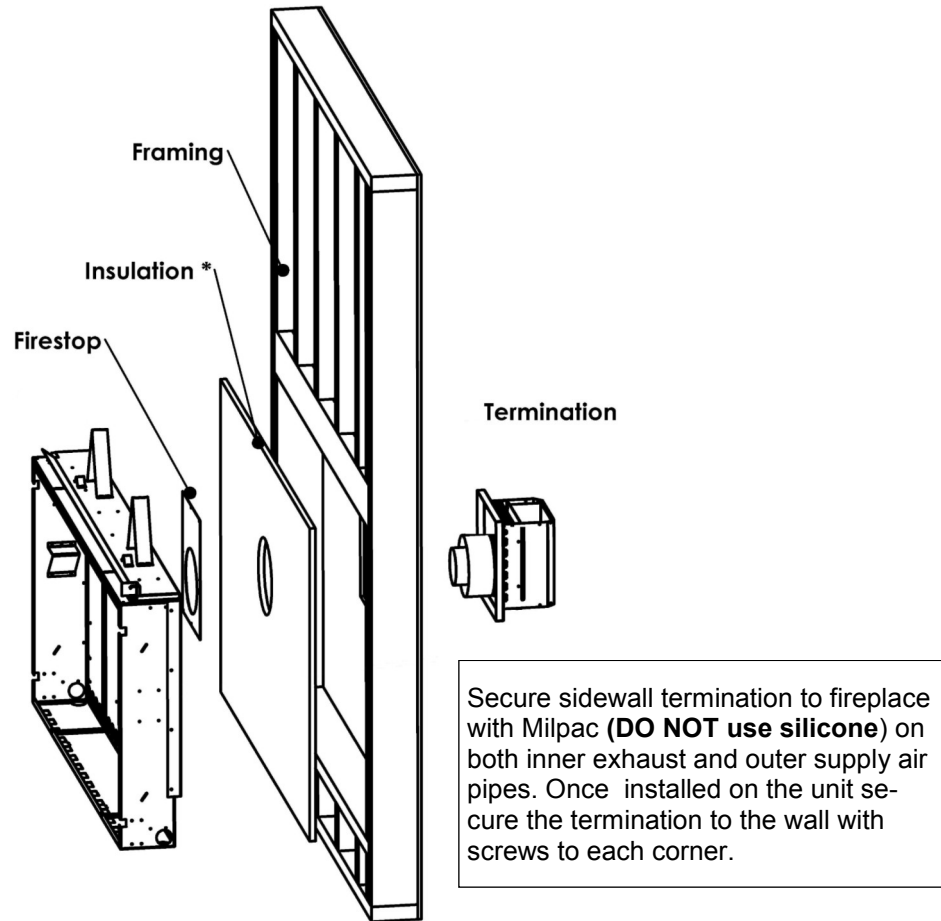
Minimum measurements below are from the edge of door (unless otherwise noted).

	Inches	MM
Top - to standoffs	0"	0
Sides-to standoffs	0"	0
Adjacent Side Wall	9"	227
Room Floor* (From bottom of host shell)	4"	101
Vent - Top	2"	50
Vent - side/bottom	1"	25
Front	48"	1210
Room Ceiling (From top of host shell)	19"	478

* Clearance to combustible floor must maintain clearances from the top surface of carpet, flooring, etc.

Installation Instructions

Outside wall installation example



Horizontal termination **999-DV-HTCL** is to be used for direct connection to the unit. If extending the vent using flex, a change to the **999-DV-HTC** is required.

Electrical Requirements

The Brigantia 24-DVRS25N requires 120v for the operating system. There is a factory installed electrical box to accommodate the connections. (see wiring diagram pg. 36)

The fireplace comes complete with a battery back-up system that will operate the fireplace for a limited time in the event of a power outage.

The 120v circuit must be electrically grounded in accordance with the local codes or, in absence of local codes, with the National Electrical Code ANSI/NFPA 70, or the Canadian Electrical Code CSA C22.1.

Installation Instructions Cont.

VENTING

Clearance to combustibles

The following clearances must be maintained around the vent pipe:

Vertical runs: 1"

Horizontal runs: 2" on top, 1" sides and bottom

IMPORTANT: This appliance venting system is a sealed system (DV), which means that all combustion air is supplied from outdoors and the combustion products are exhausted to the outdoors.

Note: Only venting systems listed in this manual may be used.

Planning your vent installation

This type of direct vent system may terminate in one of two ways: vertical termination using a vent cap, or horizontally using a wall termination. There are limitations to the vertical and/or horizontal length.

LISTED VENTING SYSTEMS

The listed chimney vent systems uses a twist lock connection. Assemble the vent system using the desired combination of sections and elbows for your installation. Make sure you fully insert and twist the mating sections all the way to make a solid connection.

Duravent

Selkirk

Ameri-vent

ICI

Archgard

Install as per manufactures instructions

Note: As this system is a sealed system,

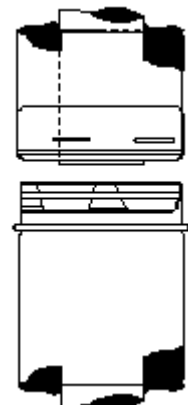
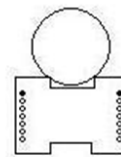
The female section of the pipe/fitting has four indentations evenly spaced around the pipe. These indentations are designed to slide over the male section of the pipe and fully lock by a clockwise quarter turn.

Vent Restrictors

Due to the extra flow produced by tall venting configurations the vent restrictors must be adjusted to maintain performance. The vent restrictor is designed into the appliance firebox.

When required, adjust the restrictor inside the unit firebox. Release the screws and adjust the restrictor position according to the venting charts

If for any reason the vent pipe is disconnected it must be correctly resealed as per manufacturers instructions



Installation Instructions Cont.

Horizontal Wall Vent Terminations

The position of the horizontal vent termination must be positioned in such a way as to meet all local building codes.

Attach the correct length of vertical section pipe and an elbow fitting to the stove.

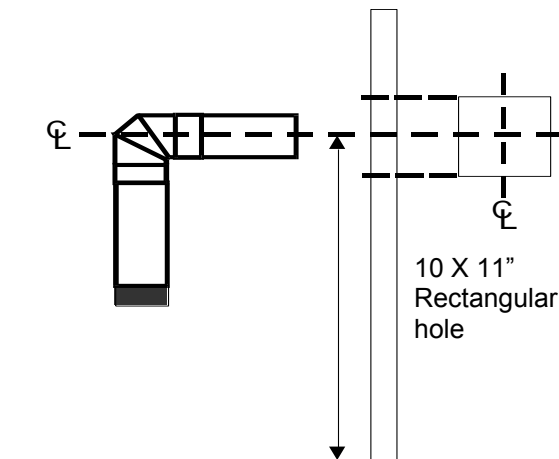
Mark the center line of the pipe facing the wall (allowing for a 1/4" rise per foot of horizontal, example 10ft of horizontal would require a rise of 2.5").

NOTE: ALLOWING THE VENT PIPE TO SLOP DOWN TOWARDS THE VENT TERMINATION COULD CAUSE POOR COMBUSTION AND/OR HIGH TEMPERATURES THAT MAY PRESENT A FIRE HAZARD.

Mark a 10" x 10" square around the center mark (inside dimensions).

Cut and frame the exterior wall to accept the Wall Thimble. Install the Wall Thimble shield using wood screws. If the wall being penetrated is constructed of non-combustible material concrete or block wall a 7" hole sufficient for the vent pipe is acceptable.

Venting terminals must not be recessed into wall or siding



When the termination is to be attached to vinyl siding apply a bead of non-hardening mastic around the outside edge to form a seal between the standoff and the terminal. Attach the terminal to the exterior wall using four wood screws through the holes in the corner of the vent terminal.

Complete the terminal installation and apply a bead of mastic around the outer edge of the vinyl standoff.

With the termination installed you can now connect the completed vent assembly by sliding the unit back towards the wall and carefully inserting the pipe into the terminal.

Slide the pipe into the vent, making sure that at least 1 1/4" overlap between the pipe and the terminal.

Basement Installations

To achieve the minimum vertical rise, a 14" or 36" snorkel termination may be used. Do not install where snorkel may be blocked by snow or submerged in water. Ensure adequate space and drainage.

FOR PROPER VENTING

When planning your installation, it will be necessary to select the proper length of vent pipe installations. For vertical installations, determine the length of vent pipe required by measuring the distance from the appliance flue outlet to the ceiling, the ceiling thickness, the vertical rise in the attic or second story, and allow for sufficient vent height above the roof line. For two-story applications, fire-stops are required at each floor level. If an offset is needed in the attic, additional pipe and elbows will be required. Venting terminals shall not be recessed into a wall or siding.

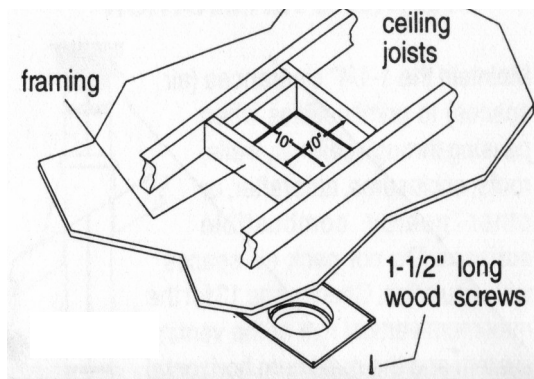
Installation Instructions Cont.

Vertical Cap Installations

Always maintain a 1" clearance around the vent pipe (vertical) and on horizontal venting 2" clearance on the top of the vent, when passing through ceilings, walls, roofs, enclosures, attic rafters or any combustible surfaces.

DO NOT PACK AIR SPACES WITH INSULATION.

Refer to the vent chart on page 15 for maximum allowable vertical and horizontal allowable installations. When planning your installation, determine if ceiling joists, roof rafters or other framing will obstruct the vent system. You may have to use 45° elbows to navigate around any obstacles. When passing through a flat ceiling, install a Box/Wall thimble. Cut a 10" square hole and frame as shown in the diagram opposite. Ensure all pipe sections are fully twist locked.

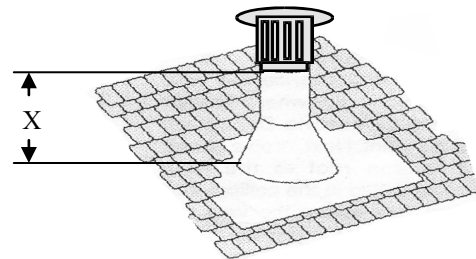


NOTE: ALWAYS CHECK YOUR LOCAL CODES BEFORE INSTALLING VENTING. CLEARANCES, ETC, MAY VARY FROM STATE TO STATE (PROVINCE TO PROVINCE).

Through Roof Framing

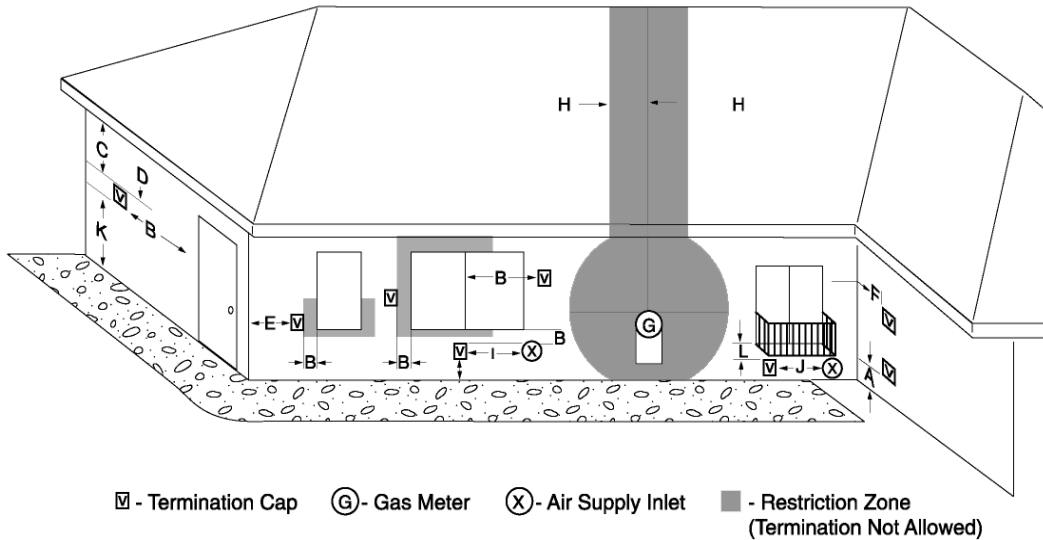
Use a suitable round or square support through the roof. Ensure adequate heat shield protection is provided. See diagram and chart for minimum protection.

Pitch (Ratio)	'X'
0/12 - 2/12	4"
2/12 - 7/12	5 1/2"
7/12 - 12/12	6 3/4"
12/12 - 24/12	7 1/2"
24/12+	12 1/2"



Installation Instructions Cont.

Figure 22 – Vent Termination Locations



Horizontal Installation

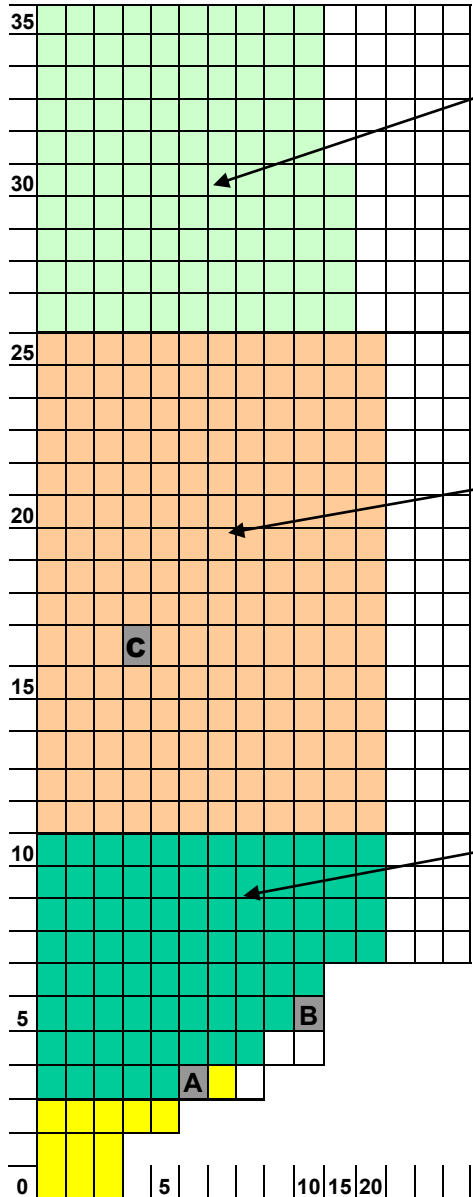
The horizontal run must have a 1/4" rise per foot and must meet all local and national building codes, and must not be easily blocked or obstructed. Termination clearances are as follows:

- A. Clearance above ground, verandah, porch, deck, or balcony: 12" minimum (30 cm.)
- B. Clearance to a window or door that may be opened: 9" minimum (23 cm)
- C. Vertical clearance to a ventilated soffit located above the termination within a horizontal distance of 2 feet from the centerline of the termination: 18" minimum (46 cm). **Note: Clearances are to be in accordance with local installation codes and the requirements of the gas supplier.**
- D. Clearance to an unventilated soffit: 12" minimum (30 cm). **Note: Clearances are to be in accordance with local installation codes and the requirements of the gas supplier.**
- E. Clearance to an outside corner: 9" (23 cm). **Note: Clearances are to be in accordance with local installation codes and the requirements of the gas supplier.**
- F. Clearance to an inside corner: 9" (23 cm). **Note: Clearances are to be in accordance with local installation codes and the requirements of the gas supplier.**

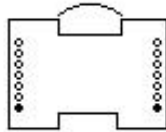
- G. Do not install above a meter/regulator assembly within 3 feet (90 cm) horizontally from the centerline of the meter/regulator. **Note: Clearances are to be in accordance with local installation codes and the requirements of the gas supplier.**
- H. Clearance to a service regulator vent outlet: 6' minimum (1.8 m)
- I. Clearance to a non-mechanical air supply inlet to a building or the combustion air inlet to any other appliance: 12" minimum (30 cm)
- J. Clearance to a mechanical air supply inlet: 6' minimum (1.8 m)
- K. Clearance above paved sidewalk or paved driveway located on public property: refer to local code
- L. Clearance under open verandah, porch, deck, or balcony: 12" minimum (30 cm). **Note: Clearances are to be in accordance with local installation codes and the requirements of the gas supplier.**
- M. Maximum horizontal run 5' after 2' vertical rise. Liquid Propane gas 5' horizontal run to 35' vertical rise. Natural Gas maximum 35' horizontal run with 7' vertical rise. **Note: Clearances are to be in accordance with local installation codes and the requirements of the gas supplier.**

Installation Instructions Cont.

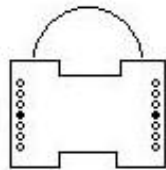
Venting Chart



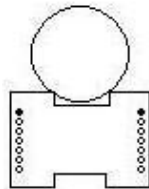
Restrictor Setting #3



Restrictor Setting #2



Restrictor Setting #1



Maximum Total NG Venting Length

Maximum total venting allowed is 45'. Maximum vertical vent is 35'. Maximum horizontal vent is 20'. Minimum 7' vertical vent rise required for maximum 20' horizontal vent run.

Venting Examples

Example A:

3ft vertical rise / 1 90° elbow / 6ft Horizontal
Use No restriction.

Example B:

6ft vertical rise / 1 90° elbow / 10ft Horizontal
Use restrictor setting No.1.

Example C:

17ft vertical rise / 1 90° elbow / 5ft horizontal
Use restrictor setting No.2.

Maximum horizontal elbows allowed - 3

Note: if more than 1 90° elbow is used horizontally the maximum horizontal is reduced by 1ft.

Example B:

If to reach the desired termination at point 'B' you use 2 90° elbows, you would be required to reduce the maximum horizontal to 8ft.

If 3 90° elbows were used to reach point 'B', the maximum horizontal would be reduced to 7ft.

Maximum Vertical - 35ft
Maximum Horizontal - 20ft with 7ft minimum rise

Minimum vertical rise - 1/4" per foot

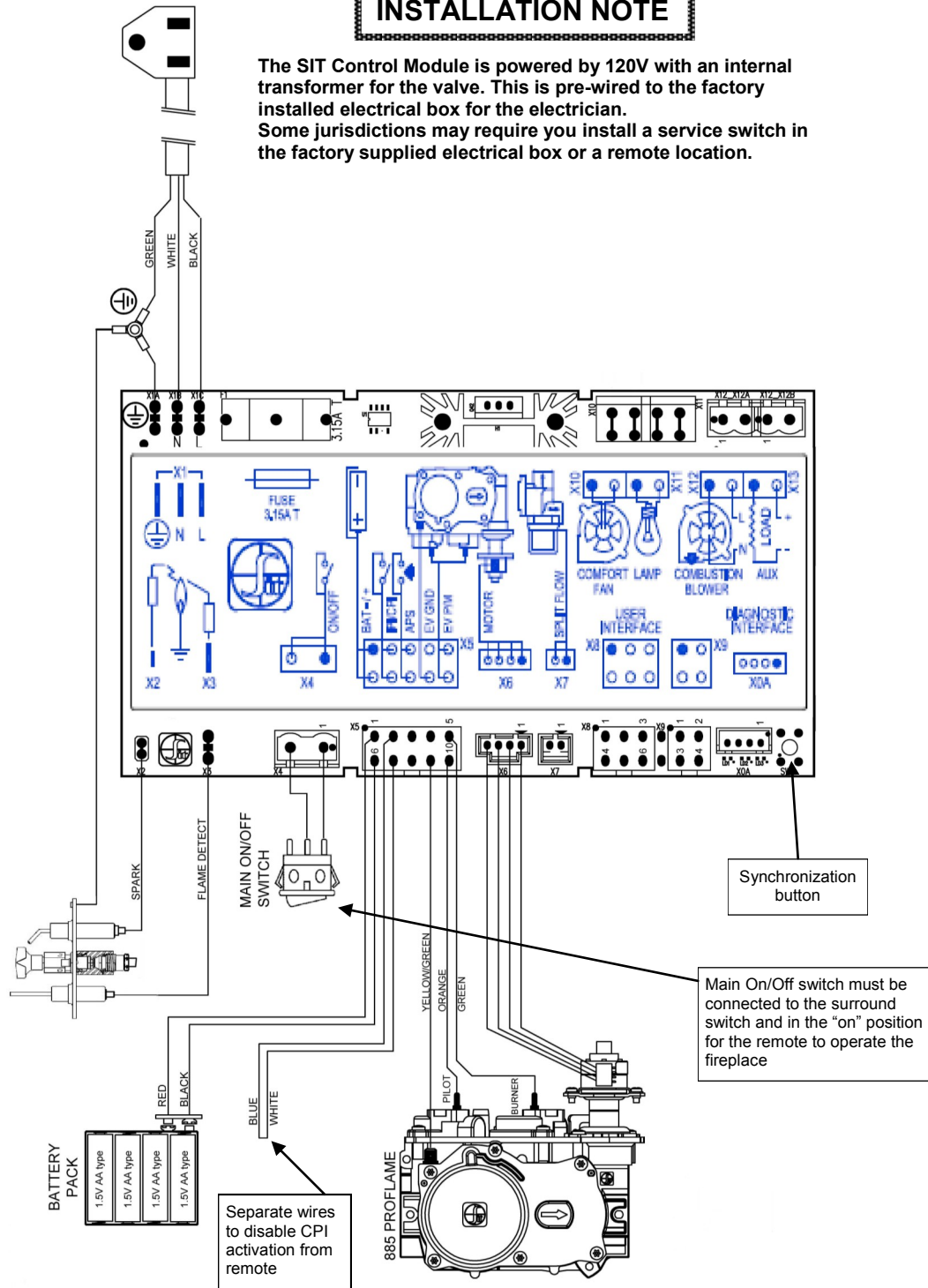
Flame picture should be checked to insure correct restrictor setting is used.

See above vent charts for allowable installations.

WIRING SCHEMATICS

INSTALLATION NOTE

The SIT Control Module is powered by 120V with an internal transformer for the valve. This is pre-wired to the factory installed electrical box for the electrician. Some jurisdictions may require you install a service switch in the factory supplied electrical box or a remote location.



GAS CONNECTIONS

Before connecting the appliance to the gas supply line, double check that the appliance you have purchased is designed for the gas type you are using. The gas type markings are located on the certification label and also on the appliance’s gas valve.

Adequate clearance for proper installation and checking of the gas connections must be provided. **All gas connections must be checked for gas leaks.**

Have your gas supplier or a qualified gas fitter run a gas supply line into the fireplace. The line must be properly sized and fitted according to the installation codes. Immediately upstream of the supply connection, the fitter shall provide an accessible manual shut-off valve. When connecting the supply line to the gas valve, the installer shall brace the gas valve to ensure that the gas valve is not moved from its bracket. If the valve is not braced when the supply line is connected, the valve may be moved and cause a “break” in the main burner supply line. Such damage is not covered by the manufacturer’s warranty.

CAUTION: The appliance and its individual shutoff valve must be disconnected from the gas supply piping system during any pressure-testing of that system at test pressures in excess of 1/2 psig (3.5 kPa). The appliance must be isolated from the gas supply piping system by closing its individual manual shutoff valve during any pressure-testing of the gas supply piping system at test pressures equal to or less than 1/2 psig (3.5 kPa). Failure to do so will damage the appliance’s gas valve. Such damage is not covered by the manufacturer’s warranty.

Natural Gas Pressure Settings:

The inlet supply or line pressure must be a minimum of 4.5” W.C. (1.2 kPa) and a maximum of 14” W.C. (3.5 kPa). The orifice is a #43 DMS (2.95 mm) drill size.

<u>ELEVATION</u>	<u>INPUT RATING</u>
0-4500 ft (0-1372 M)	25,000 BTU/hr (9.1 kW)
4500 ft (1372 M) and above.	25,000 BTU/hr (9.1 kW) less 4% per 1000 ft. (305 M)

Please contact your local distributor for the appropriate orifice size you require.

Propane Pressure Settings:

The inlet supply or line pressure must be a minimum of 11” W.C. (2.8 kPa) and a maximum of 14” W.C. (3.5 kPa). The orifice is a #54 DMS (1.85 mm) drill size.

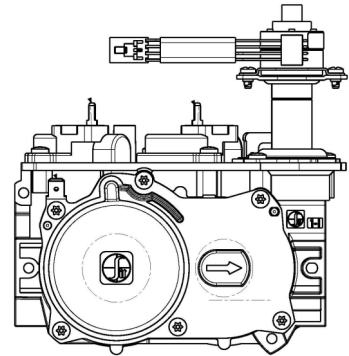
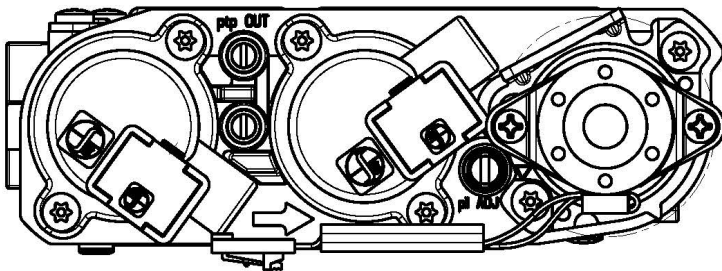
<u>ELEVATION</u>	<u>INPUT RATING</u>
0-4500 ft. (0-1372 M)	25,000 BTU/hr (9.1 kW)
4500 ft. (1372 M) and above.	25,000 BTU/hr (9.1 kW) less 4% per 1000 ft. (305 M)

Please contact your local distributor for the appropriate orifice size you require.

NOTE: THE INPUT RATING SHOULD ALWAYS BE CHECKED WHEN FIRST RUNNING THIS APPLIANCE. To do this, reduce the background flow rate, time the meter, light the fireplace and take another reading after 15 minutes of operation. Check with your gas supplier for the gas BTU content at your elevation. Input is the rate of flow multiplied by the heating value of the gas (cubic feet/hour x BTU per cubic feet). Adjust the manifold pressure so that the unit does not operate above the rated input.

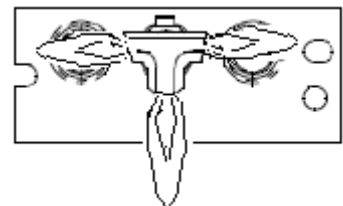
CHECKING INLET AND OUTLET GAS PRESSURE

1. Remove the surround.
2. The pressure test taps are located on the valve. The taps are located in the gas valve front face. The inlet is marked 'IN' and the outlet is marked 'OUT'. See Fig.1.
3. Loosen the set screw inside the tap with a screwdriver.
4. Connect a 1/4" (6 mm) rubber tube to the tap post and a manometer.
5. Verify that the readings obtained are within specs (as shown on the appliance rating plate)
6. Be sure to tighten the set screw inside the tap after you have finished taking pressure readings.
7. Check for leaks.

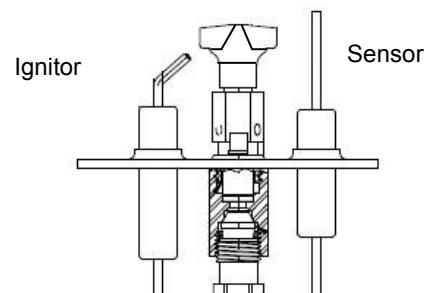


CHECKING AND ADJUSTING PILOT

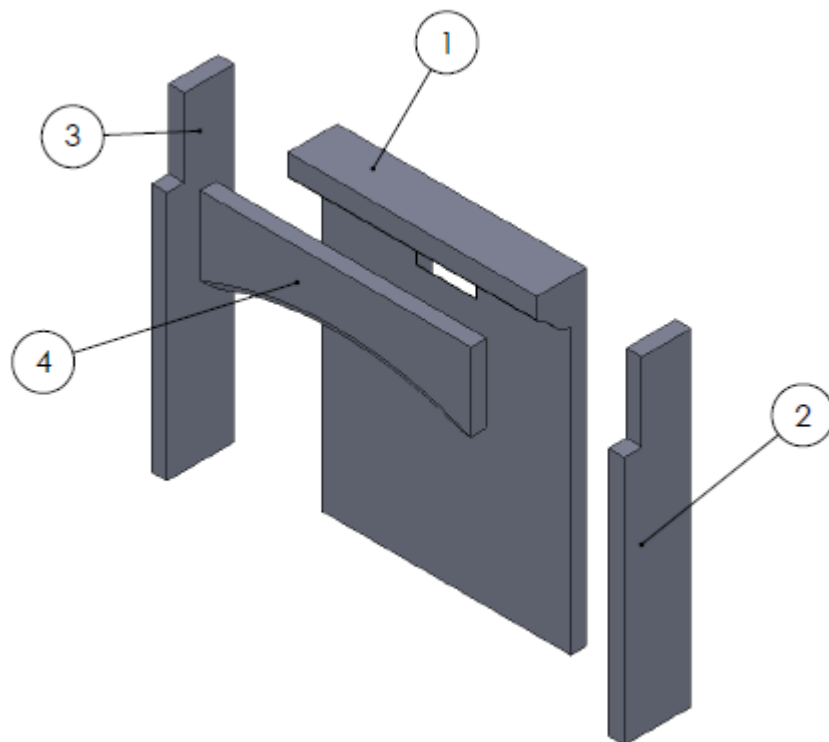
The pilot flame should have the characteristic as shown in the illustration to the right.



The flame should not have yellow tips but should engulf the sensor. It can be adjusted by turning the screw marked "pilot" on the control valve (see above).



Contemporary Panels



ITEM #	PART NUMBER	DESCRIPTION	QTY.
1	311-6381-FB	PANEL REAR	1
2	311-6382-FBR	SIDE PANEL RIGHT	1
3	311-6283-FBL	SIDE PANEL LEFT	1
4	311-6284-FBT	PANEL TOP	1

Component Removal

NOTE: Do not remove any components while the appliance is hot.

Door Removal



Release the latch located on the bottom of door. To release pull forward then press down.

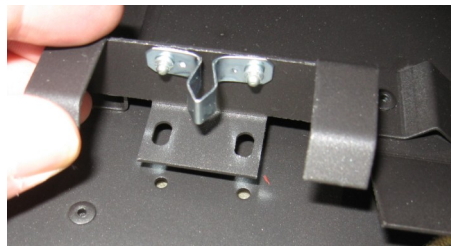


Remove the door by pulling the bottom out to 30 degrees and lift upward to release the 2 latches at the top of the door.

CAUTION: Beware the glass does not drop out.

Firmly grip the door and glass when removing door assembly.

Surround clip installation



Mount the surround clips. Two on the top and two on the bottom. Surround clip receivers will push on to these buttons.

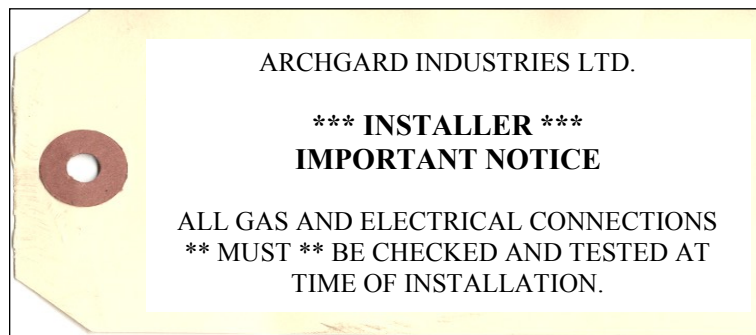
FINAL INSTALLATION CHECK

Each Brigantia Gas Fireplace is checked and tested at the factory prior to being packaged and shipped to our dealers and finally installed in your home. Brigantia recommends that before leaving this unit with the customer, the installer must ensure that the appliance is firing correctly and that the electrical system is in working order. **This will include:**

1. Perform leak tests of supply line, gas control valve, supply line from gas control valve and pilot assembly.
2. Clocking the appliance to ensure the correct firing rate (see page 9 of this manual).
3. If required, adjusting the primary air to burner to ensure that the flame does not carbon or soot.
4. Check for proper operation including correct drafting.

As a reminder, a TAG is attached to all of our gas fireplaces. This TAG is located at the gas control valve. See Fig 1.

Fig 1.



Any alteration to the product that causes carboning or sooting that results in any damage or requires cleaning is not the responsibility of the manufacturer.

INITIAL OPERATION

1. Check that the appliance is properly vented and connected to the gas supply.
2. Check that all external parts, such as door and faceplate are properly attached and fastened.
3. Do not operate this appliance with broken, cracked glass doors or without the door (s) in its correct (and latched) position. Do not abuse the glass by either striking or slamming shut.
4. Check that there are no fingerprints left on glass panels, as high temperature can bake these prints on permanently.

LIGHTING INSTRUCTIONS ON RATING PLATE

FOR YOUR SAFETY READ BEFORE LIGHTING Pour votre sécurité Veuillez lire avant d'allumer

WARNING: If you do not follow these instructions exactly, a fire or explosion may result causing property damage, personal injury or loss of life.

ATTENTION: Si vous ne suivez pas ces instructions à la lettre, un feu d'une explosion entraînant des dommages matériels, des blessures ou la perte de la vie.

- | | |
|---|---|
| <p>A. This appliance has a pilot which must be lighted by a spark ignitor. When lighting the pilot follow these instructions exactly.</p> <p>B. BEFORE LIGHTING smell all around the appliance area for gas. Be sure to smell next to the floor because some gas is heavier than air and will settle on the floor.</p> <p>WHAT TO DO IF YOU SMELL GAS</p> <ul style="list-style-type: none"> • Do not try to light any appliance. • Do not touch any electrical switch; do not use any phone in your building. • Immediately call your gas supplier from a neighbor's phone. Follow the gas supplier's instructions. If you cannot reach your gas supplier, call the fire department. <p>C. Do not use this appliance if any part has been under water. Immediately call a qualified service technician to inspect the appliance and to replace any part of the control system and any gas control which has been under water.</p> | <p>A. Cet appareil possède une veilleuse qui doit être éclairée par une bougie d'allumage. En allumant le pilote suivez ces instructions à la lettre.</p> <p>B. AVANT D'ALLUMER odeur tout autour de l'appareil pour le gaz. Assurez-vous de sentir à côté du plancher, car certains gaz sont plus lourds que l'air et se déposent sur le sol.</p> <p>QUE FAIRE SI VOUS UNE ODEUR DE GAZ</p> <ul style="list-style-type: none"> • Ne pas tenter d'allumer l'appareil. • Ne touchez à aucun interrupteur électrique; ne pas utiliser le téléphone dans votre immeuble. • Appelez immédiatement votre fournisseur de gaz de téléphone d'un voisin. Suivez les instructions du fournisseur de gaz. <p>• Si vous ne pouvez pas joindre votre fournisseur de gaz, appelez les pompiers.</p> <p>C. Ne pas utiliser cet appareil si une partie a été sous l'eau. Appeler immédiatement un technicien qualifié pour inspecter l'appareil et remplacer toute pièce du système de contrôle et de commande du gaz qui a été sous l'eau.</p> |
|---|---|

LIGHTING INSTRUCTIONS INSTRUCTIONS D'ALLUMAGE

STOP! Read the safety information above on this label.

1. This appliance is equipped with an ignition device which automatically lights the pilot. Do not try to light the pilot by hand
2. Set the remote switch to "OFF"
3. Turn on the electric power to the appliance.
4. Open the Gas isolation valve
5. Turn remote to the "ON" position
 - If the pilot and burner will not stay lit after several tries, turn the remote to the "OFF" and check the lighting instructions in the manual or call your service technician or gas supplier.

STOP! Lire les consignes de sécurité ci-dessus sur cette étiquette.

1. Cet appareil est équipé d'un dispositif d'allumage qui allume automatiquement le pilote. Ne pas tenter d'allumer le pilote à la main
2. Réglez le commutateur à distance sur "OFF"
3. Tournez sur la puissance électrique de l'appareil.
4. Ouvrez la vanne d'isolement de gaz
5. Tournez à distance à la position «ON»
 - Si le pilote et le brûleur ne reste pas allumée après several, tourner la télécommande sur le "OFF" et vérifiez les instructions dans le manuel d'éclairage ou appelez votre technicien ou votre fournisseur de gaz.

TO TURN OFF GAS TO APPLIANCE INSTRUCTIONS D'ALLUMAGE

- | | |
|--|---|
| <ol style="list-style-type: none"> 1. Set the remote switch to "OFF". 2. Turn off all electric power to the appliance if service is to be performed. 3. Close the gas isolation valve | <ol style="list-style-type: none"> 1. Réglez le commutateur à distance sur "OFF". 2. Coupez l'alimentation électrique de l'appareil si le service doit être exécuté. 3. Fermez la vanne d'isolement de gaz |
|--|---|

FIRST FIRE

When operated for the first few times, the appliance will emit some odor and fumes. This is due to the heat from the appliance evaporating the oils and solvents used in fabricating the appliance. Close off the room to the rest of the house and open all windows. Keep the room well ventilated, as smoke alarm may sound. Run the appliance for at least 6 hours at maximum setting to allow paint to cure. Smoke and fumes caused by the curing process may cause discomfort to some individuals.

LIGHTING INSTRUCTIONS - CAUTION

WARNING : If you do not follow these instructions exactly, a fire or explosion may result causing property damage, personal injury or loss of life. Do not operate the appliance with the glass front removed, cracked or broken. Replacement of broken glass should be done by a licensed or qualified service person.

WARNING : This appliance needs fresh air for safe operation and must be installed so there are provisions for adequate combustion and ventilation air.

Do not store or use gasoline or other flammable vapors and liquids in the vicinity of this or any other appliance.

WHAT TO DO IF YOU SMELL GAS:

- * Do not try to light any appliance.
- * Do not touch any electrical switch; do not use any phone in your building.
- * Immediately call your gas supplier from a neighbor's phone. Follow the gas supplier's instructions.
- * If you cannot reach your gas supplier, call the fire department.

Installation and service must be performed by a qualified installer, service agency or the gas supplier.

1. **BEFORE LIGHTING**, smell all around the appliance area for gas. Be sure to smell next to the floor, because some gasses are heavier than air and will settle on the floor.
2. **IF YOU SMELL GAS**, follow the instructions as listed directly above or as shown on the front cover of this manual.
3. Do not use this appliance if any part has been under water. Immediately call a qualified service technician to inspect the appliance and to replace any part of the control system and any gas control which has been under water.
4. This appliance is equipped with an ignition device which automatically lights the pilot and main burner. The pilot and burner light automatically with the hand held remote or with the switch on the side of the surround if it is activated.

REMOTE CONTROL SETUP AND OPERATION

IMPORTANT

The Proflame Transmitter 2 is an integrated part of the Proflame 2 System, which consists of these elements:

- Proflame 2 Transmitter, to be used in conjunction with:
- Integrated Fireplaces Control (Proflame 2 IFC)

The Proflame 2 Transmitter provides for controlling the following hearth appliance functions:

1. Main Burner On/Off
2. Main Burner flame modulation (6 levels)
3. Choice of standing or intermittent pilot (CPI/IPI)
4. Thermostat and Smart thermostat functions
5. Accent light modulation (6 levels)
6. Split flow valve
7. On/Off relay
8. Comfort Fan speed modulation (6 levels)

The Proflame Transmitter uses a streamline design with a simple button layout and informative LCD display (Fig. 1). A Mode Key is provided to index between the features and a Thermostat Key is used to turn on/off or index through Thermostat functions (Fig. 1 & 2). Additionally, a Key Lock feature is provided (Fig. 22).



REMOTE CONTROL SETUP AND OPERATION, cont.

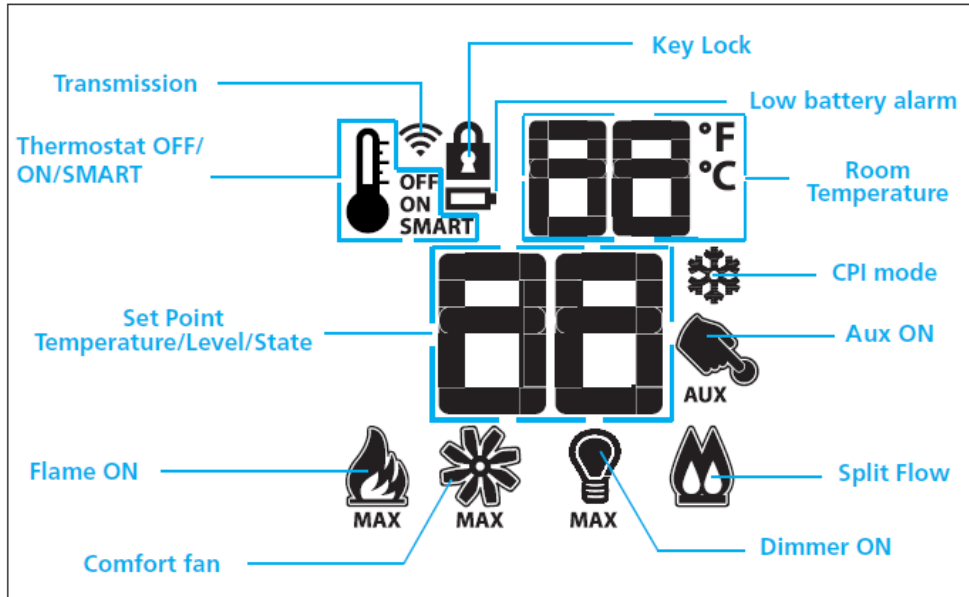


Fig. 2: Transmitter LCD display.

TECHNICAL DATA

Remote Control	
Supply voltage	4.5 V (three 1.5 V AAA batteries)
Ambient temperature ratings	0 - 50 °C (32 - 122 °F)
Radio frequency	315 MHz

WARNING

THE TRANSMITTER AND RECEIVER ARE RADIO FREQUENCY DEVICES. PLACING THE RECEIVER IN OR NEAR METAL MAY SEVERELY REDUCE THE SIGNAL RANGE.

ATTENTION!

- TURN "OFF" THE MAIN GAS SUPPLY OF THE APPLIANCE DURING INSTALLATION OR MAINTENANCE OF THE RECEIVER DEVICE.
- TURN "OFF" MAIN GAS SUPPLY TO THE APPLIANCE PRIOR TO REMOVING OR REINSERTING THE BATTERIES.
- IN CASE OF REMOTE CONTROL MALFUNCTION TURN OFF THE IFC DEVICE USING THE "ON/OFF" MAIN SWITCH.
- FOR INSTALLATION/MAINTENANCE SWITCH OFF THE IFC DEVICE REMOVING MAIN POWER SUPPLY PLUG.

REMOTE CONTROL SETUP AND OPERATION, cont.

OPERATING PROCEDURE

Initializing the System for the first time

Power the receiver. Activate the procedure of the receiver address programming, see the receiver instruction (*). The Receiver will "beep" three (3) times to indicate that it is ready to synchronize with a Transmitter. Install the 3 AAA type batteries in the Transmitter battery bay, located on the base of the Transmitter. (fig. 3) With the batteries already installed in the Transmitter, push the On button. The Receiver will "beep" four times to indicate the Transmitter's command is accepted and sets to the particular code of that Transmitter. The system is now initialized.

(*) The receiver may be independent or integral to the IFC hearth appliance control module. The receiver instruction may not be independent when part of the IFC.



Fig. 3: Battery compartment.

Temperature indication Display

With the system in the "OFF" position, press the Thermostat Key and the Mode Key at the same time. Look at the LCD screen on the Transmitter to verify that a C or F is visible to the right of the Room Temperature display. (Fig. 4 and fig. 5)

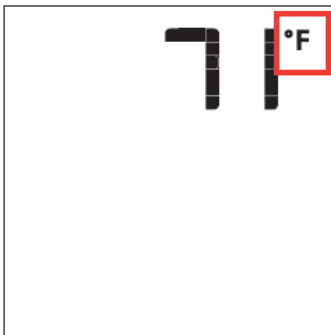


Fig. 4: Remote Control display in Farenheit.

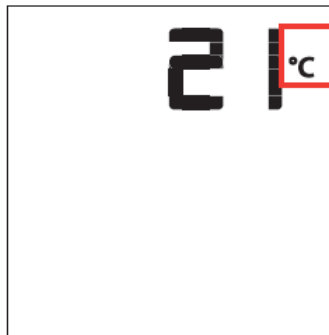


Fig. 5: Remote Control display in Celsius.

Turn on the Appliance

With the system OFF, press the ON/OFF Key on the Transmitter. The Transmitter display will show some other active Icons on the screen. At the same time the Receiver will activate the appliance. A single "beep" from the Receiver will confirm reception of the command.

Turn off the Appliance

With the system ON, press the ON/OFF Key on the Transmitter. The Transmitter LCD display will only show the room temperature (Fig. 6). At the same time the Receiver will turn off the appliance. A single "beep" from the Receiver confirms reception of the command.



Fig. 6: Remote Control display.

REMOTE CONTROL SETUP AND OPERATION, cont.

Remote-Flame Control

The proflame has six (6) flame levels. With the system on, and the flame level at the maximum in the appliance, pressing the Down Arrow Key once will reduce the flame height by one step until the flame is turned off.

The Up Arrow Key will increase the flame height each time it is pressed. If the Up Arrow Key is pressed while the system is on but the flame is off, the flame will come on in the high position. (Fig. 7 & 8) A single "beep" will confirm reception of the command.

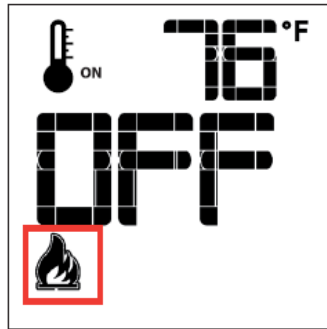
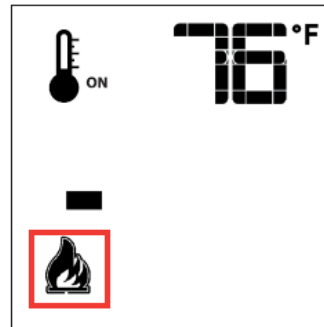


Fig. 7: Flame Off



Flame Level 1

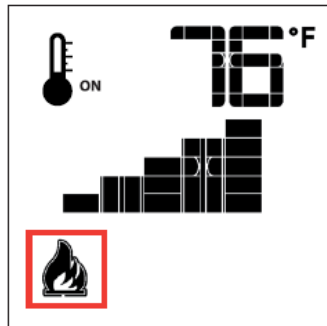
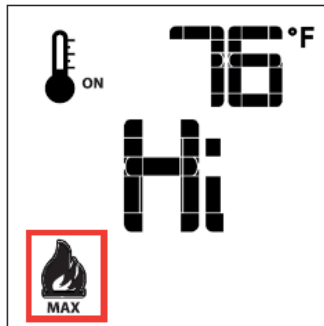


Fig. 8: Flame level 5



Flame Level Maximum

Room Thermostat (Transmitter Operation)

The Remote Control can operate as a room thermostat. The thermostat can be set to a desired temperature to control the comfort level in a room.

To activate this function, press the Thermostat Key (Fig. 1). The LCD display on the Transmitter will change to show that the room thermostat is "ON" and the set temperature is now displayed (Fig. 9). To adjust the set temperature, press the Up or Down Arrow Keys until the desired set temperature is displayed on the LCD screen of the Transmitter.

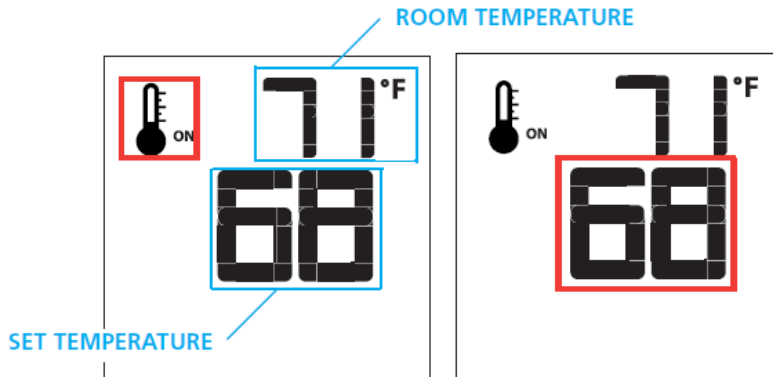


Fig. 9

Fig. 10

Note:
When the fireplace is started in Smart Thermostat mode, the fan will come on 5min after ignition and shut down 12min after fire is turned off

REMOTE CONTROL SETUP AND OPERATION, cont.**Smart Thermostat (Transmitter Operation)**

The Smart Thermostat function adjusts the flame height in accordance to the difference between the set point temperature and the actual room temperatures. As the room temperature gets closer to the set point the Smart Function will modulate the flame down.

To activate this function, press the Thermostat Key (Fig. 1) until the word "SMART" appears to the right of the temperature bulb graphic (Fig. 11).

To adjust the set temperature, press the Up or Down Arrow Keys until the desired set temperature is displayed on the LCD screen of the Transmitter (Fig. 12).

Note. When Smart Thermostat is activated, manual flame height adjustment is disabled.



Fig. 11: Smart flame function

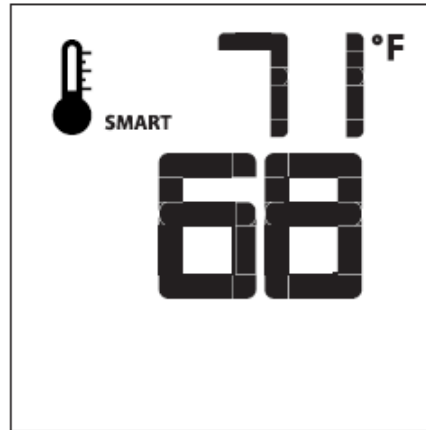


Fig. 12

REMOTE CONTROL SETUP AND OPERATION, cont.

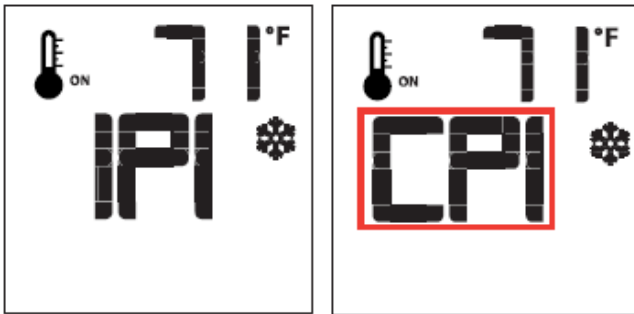
Continuous Pilot/Intermittent Pilot (CPI/IPI) selection

With the system in "OFF" position press the Mode Key (fig. 1) to index to the CPI mode icon

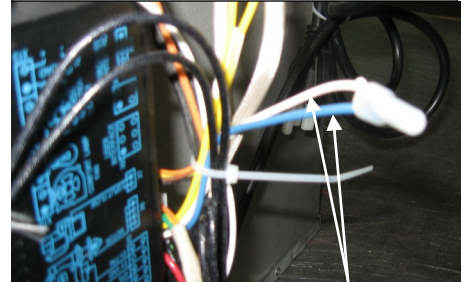
Pressing the Up Arrow Key will activate the Continuous Pilot Ignition mode (CPI). Pressing the Down Arrow Key will return to IPI. A single "beep" will confirm the reception of the command.

NOTE: If the system is equipped with a CPI/IPI toggle switch:

- Set the CPI/IPI switch to CPI position (switch closed) to enable remote CPI/IPI operation.
- Set the CPI/IPI switch to IPI position (switch open) to disable remote CPI/IPI operation. The system will now work in IPI mode only regardless of the selection on the remote control hand set.



The unit is shipped from the factory with the ability for IPI/CPI selection active.



To disable the Continuous Pilot selection ability, cut one of the wires (blue or white) shown in the picture and cap them off to prevent shorting.

REMOTE CONTROL SETUP AND OPERATION, cont.

KEY LOCK

This function will lock the keys to avoid unsupervised operation.

To activate this function, press the MODE and UP Keys at the same time (fig. 22).

To de-activate this function, press the MODE and UP Keys at the same time.

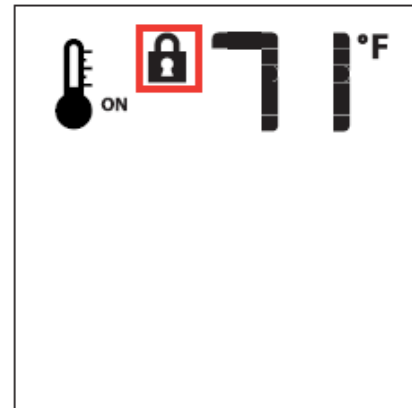


Fig. 22

LOW BATTERY POWER DETECTION

Transmitter

The life span of the remote control batteries depends on various factors: quality of the batteries used, the number of ignitions of the appliance, the number of changes to the room thermostat set point, etc.

When the Transmitter batteries are low, a Battery Icon will appear on the LCD display of the Transmitter (Fig. 23) before all battery power is lost. When the batteries are replaced this Icon will disappear.



Fig. 23

MAINTENANCE**CAUTION:**

Do not conduct maintenance on the appliance while it is operating or while it is still hot.

CLEANING THE APPLIANCE

The exterior painted surfaces, glass and gold trims may be cleaned with a soft, non-abrasive cloth and water or a suitable, mild, non-abrasive cleaner.

Regularly:

- Frequent cleaning of the ceramic glass is required. Brigantia recommends using a good quality “gas fireplace” glass cleaner that is available at any hearth retail location. **DO NOT CLEAN WHILE HOT.**
- Clean and remove any lint accumulations or debris from the grills and in any combustion and convection air passage ways.
- Keep the appliance area free from combustible materials, such as paper, wood, clothing, gasoline and flammable solids, liquids and vapors.
- Visually check the height and color of the burner and pilot flames.

Every 2 to 3 months:

- Remove the glass door and clean the inside of the glass with a good quality “gas fireplace” glass cleaner. **DO NOT CLEAN WHILE HOT.**

Once a year, have a qualified service technician:

- Completely inspect the appliance and the venting system, if the vent pipe or seal is found to be defective, replace and or reseal (follow the instructions found in the venting instructions section)
- Clean and remove any lint accumulations or debris in the firebox, on the burners, on the pilot, at the primary air opening, and in any combustion and convection air passageways.
- Check the safety system of the gas valve and the appliance.

WARNING: All parts removed or disturbed, including guards and grills, must be properly replaced after maintenance. Service and repair must be conducted by a qualified service person. If these instructions are not followed, a fire or explosion may result, causing property damage, personal injury or loss of life.

CONVERSION KIT INSTRUCTIONS

IMPORTANT: This fireplace is Natural gas ready. If converting to LP gas, follow instructions below

WARNING: This conversion kit shall be installed by a qualified service agency in accordance with the manufacturers instructions and all applicable codes and requirements of the authority having jurisdiction. If the information in these instructions is not followed exactly, a fire, explosion or productions of carbon monoxide may result, causing property damage, personal injury or loss of life. The qualified service agency is responsible for proper installation of this kit. The installation is not proper and complete until operation of the converted appliance is checked as specified in the instructions supplied with the kit. Refer to appliance owner's manual or product data plate for proper inlet and manifold pressure adjustments and orifice sizing.

IMPORTANT: For high altitude installations above 4500 ft (1372 meters), consult local gas distributor or the authority having jurisdiction for proper de-rating methods.

KIT NUMBERS: "24-CKELP" for LP gas and "24-CKENG" for Natural Gas

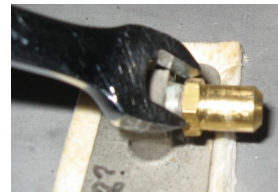
**WARNING: SHUT OFF GAS SUPPLY AND ELECTRICAL POWER TO FIREPLACE
SHUT OFF GAS SUPPLY BEFORE DISCONNECTING ELECTRICAL POWER**

PREPARE THE FIREPLACE

Remove the surround and glass frame assembly.
Remove the burner cover and glass bead media from the burner.
Remove the burner by removing the (2) screws and slide the burner to the side and out.

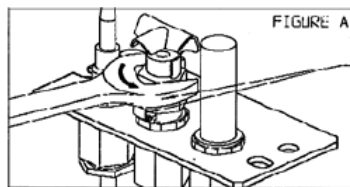
BURNER ORIFICE:

Change the burner orifice using a 1/2" wrench. Replace with the orifice supplied with the conversion kit. Use a small amount of pipe sealant.

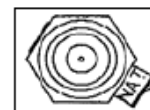


PILOT CONVERSION:

Using a 7/16" wrench, loosen the pilot hood 1/4 turn. Slide the tab at the bottom of the orifice hood all the way so the red side with the hole in it is showing. Tighten the pilot hood back up so that it is lined up with the two probes on both sides of the pilot assembly.



LP has hole and red dot



Natural Gas

CONVERSION KIT INSTRUCTIONS CONT.

VALVE CONVERSION

PROFLAME STEPPER MOTOR Modulating Conversion Kit



WARNING!

The installation of this conversion kit must only be undertaken by a qualified and certified gas appliance installer.

STEPPER MOTOR PRESSURE REGULATOR CONVERSION KIT INSTALLATION OR REPLACEMENT INSTRUCTIONS.

Verify that the following items are present in the package.

- Pressure regulator assembly (E)
- Two (2) screws (F)
- Identification label (G)
- Installation instructions (this document).

- 1 Shut off the gas supply to the valve and shut down the electric supply.
- 2 See Fig. 1. Using a Torx T20, or slotted screwdriver, remove and discard the two (2) pressure regulator mounting screws (A), pressure regulator tower (B), and the spring and diaphragm assembly (C), (if applicable).
- 3 Ensure the rubber gasket (D), which is prefitted as part of assembly (E), is properly positioned, see Fig. 2, otherwise fit the gasket as shown Fig. 2.
- 4 Install the new STEPPER MOTOR pressure regulator assembly, as shown in Fig. 3 and Fig. 4. Use the supplied screws (F), M4 x 0.7 threaded, length of thread $L=(16\text{ mm} + 0 - 0.5\text{ mm})$, steel material, resistance class 8.8 (see Fig. 5).
- 5 Manually thread the two conversion kit mounting screws into the valve body. Use a standard screwdriver or T20 Torx bit and tighten to the screws with a fixing torque of $25\text{lb-in} \pm 5\%$.
IN THE EVENT THAT THE THREADS OF THE VALVE ARE STRIPPED OR DAMAGED, **REPLACE THE VALVE.**
- 6 Install the enclosed identification label (G) to the valve body where it can be easily seen.
- 7 Make STEPPER MOTOR and valve electrical connections, apply gas to system and relight appliance according to manufacturers instructions.
- 8 With the main burner "ON", test the new pressure regulator assembly for leaks using a soap solution.
- 9 Relight the main burner and verify proper burner ignition and operation.

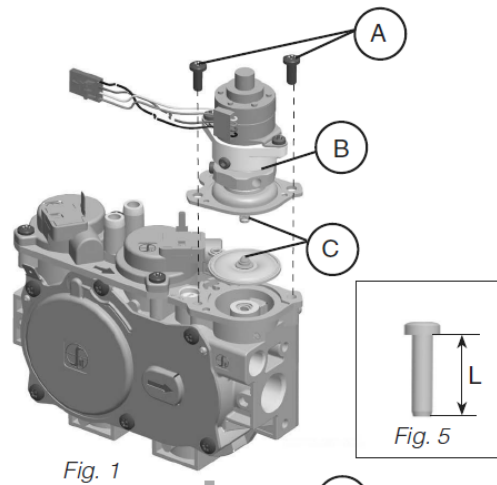


Fig. 1

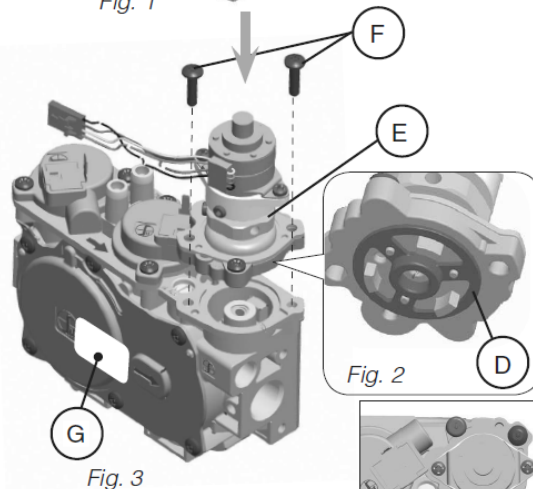


Fig. 3

Fig. 2

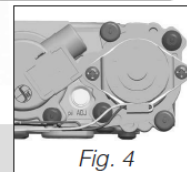


Fig. 4

WARNING!

Installation should be carried out in a clean environment.

WARNING!

This modulating conversion kit must **ONLY** be applied as part of a conversion kit supplied by the **APPLIANCE MANUFACTURER** for the specific appliance, and type of gas, being converted.

WARNING!

Correct operation of the system cannot be guaranteed if the conversion kit or valve has been dropped or has sustained a strong impact.

INSTALLER NOTICE. These instructions must be left with appliance.

CONVERSION KIT INSTRUCTIONS CONT.

Complete the Conversion

Fill out and attach conversion label to the fireplace near the valve
Change Rating Plate to show new fuel configuration

Reinstall the Burner, burner cover and glass media by reversing the removal process.

Turn on the gas and electrical supplies.

Check for leaks using approved means

Confirm correct incoming and manifold pressures

Test fire the fireplace to confirm correct operation.

Reinstall door assembly and surround

Run through a complete firing cycle to confirm correct operation



Field Fuel Conversion

<p>This appliance has been converted to _____ gas</p> <p>By _____</p> <p>_____</p> <p><small>(Name and address of organization making this conversion which accepts the responsibility that this conversion has been properly completed)</small></p> <p>Kit # _____ Date ____ / ____ / ____</p> <p style="text-align: right; font-size: small;">303-0128</p>
--

KIT NUMBERS: "35-CKELP" for LP gas and "24-CKENG" for Natural Gas

KIT INCLUDES:

- 1- Gas conversion label (303-0128)
- 1- Center burner orifice (#51 DMS for LPG) (#35 DMS for Natural Gas)
- 1- Instruction Sheet
- 1- SIT 885 Valve conversion kit c/w instructions & gas type label 0.907.012 (LP)
0.907.013 (NG)

IMPORTANT: For high altitude installations above 4500 ft (1372 meters), consult local gas distributor or the authority having jurisdiction for proper de-rating methods.

SERVICING UNDER WARRANTY

Before servicing, read the terms and conditions of the Brigantia warranty at the back of the manual. Contact the authorized Brigantia dealer where you purchased the appliance from and provide them with details of the problem, along with the initial installation information (from the front of this manual).

WARNING: Servicing of this appliance **must be conducted by a qualified service technician**. Improper servicing, adjustment or alteration of this appliance may cause property damage, personal injury or loss of life. All servicing should be conducted with the appliance cold. All replacement parts must be authorized by Brigantia for suitability.

REPLACEMENT PARTS LIST

Item #	Item Description	Unit
200-0324	Owner's Manual	EA
308-6011	SIT Pro Flame II Electronic Control Module	EA
308-6014	SIT Pro Flame II Handheld Transmitter	EA
308-6017	SIT 885 Gas Valve c/w Step Motor	EA
308-6012	Module Main Wiring Harness (5 wire)	EA
305-0060	Battery Back-up Holder	EA
301-0068	Orifice (Main Burner Orifice) Drill to # 43 DMS for Natural Gas	EA
	Orifice (Main Burner Orifice) Drill to # 54 for LP Gas	EA
308-0119	Pilot Assembly, conv. PSE IPI	EA
824-0050	Burner	EA
24-CKELP	Conversion Kit NG to LP	EA
24-CKENG	Conversion Kit LP to NG	EA
305-0019	On/Off Rocker Switch	EA
311-6380-FB	Contemporary Panels (4 piece set)	EA
824-0000	Complete Replacement Door. Includes glass, gasket and door frame. BLACK	EA
824-0001	Complete Replacement Door. Includes glass, gasket and door frame. NICKEL	EA

FREQUENTLY ASKED QUESTIONS

Listed below are some frequently asked questions regarding Brigantia Gas Fireplaces. If you have questions that are not listed below, or are not answered in this manual, please contact your Authorized Brigantia Dealer.

Q. My glass has a condensation “fog” when the appliance is first lit.

A. Condensation is normal and will disappear in a few minutes after the glass is heated.

Q. I have a white “film” on my glass. What is the best way to clean the inside of the glass.

A. Frequent cleaning of your glass is recommended. Brigantia recommends using a good quality “gas fireplace” glass cleaner that is available at all authorized dealers. Do not use abrasive materials, and do not clean the glass or the appliance when the unit is hot.

Q. How do I care for my gold/nickel plated trims.

A. Brigantia recommends a cleaning with a damp cloth. **DO NOT** use chemical cleaners as they may harm the finish, and void your warranty. **NOTE:** If the top louvers, or top overlay starts to discolor, check the door gasket seal and replace if necessary.

Q. I hear a “click” when my fan system activates.

A. When your appliance reaches temperature, it will activate the THERMODISC “fan switch”. The switch closes the electrical circuit that allows the fan to turn on. This is a normal sound.

Q. I hear a “ticking”, “cracking” or “pinging” sound when my fireplace is running, and after it is turned off.

A. The different gauges of steel used to manufacture your fireplace will expand and contract at different rates when your fireplace is on, and will continued as your fireplace completes its heating function. You will likely hear these same sounds more on start up and shut down. This is normal for steel fireplaces.

Q. When my appliance is OFF and my pilot light is lit, I hear a “whisper” sound.

A. The lit pilot can make a small noise. Sometimes in extreme wind conditions you may be able to hear air entering into the firebox chamber.

Q. I hear a “click” when my main burner turns ON or OFF.

A. Your Gas Control Valve will make a clicking sound when it opens to allow gas to flow to the main burner. This is a normal part of the operating system.

Q. Can I burn wood and other materials in my gas fireplace.

A. No! Burning anything other than natural or LP gas in a gas fireplace or stove will create a potential fire hazard and present a danger to your home and its occupants. Only burn the gas fuel for which the unit was originally designed.

Q. Can I shut my pilot off in the summer?

A. You will save energy by turning off the pilot light if you are not using your appliance for the hot summer months. Remember to relight it before you want to use the appliance for the first time in the fall. Refer to your owners manual for lighting instructions.

BRIGANTIA LIMITED WARRANTY

This Limited Warranty is made by Archgard Industries, hereinafter referred to as "Brigantia". Brigantia warrants to the original purchaser of an Brigantia gas burning fireplace (s) that the product will be free of defects in materials and workmanship under normal use and service, for a "lifetime".

INCLUSIONS: "LIFETIME LIMITED WARRANTY" (to original owner)

- ❖ Combustion chamber and burner.
- ❖ Ceramic Panels against splitting or cracking from heat exposure.
- ❖ Ceramic Glass against thermal breakage.
- ❖ NOTE: Discoloration and some minor movement of certain parts are normal and are not a defect and therefore, not covered under warranty.

The above will be covered "parts & labor" to the original purchaser for FIVE years and "parts" only thereafter from original date of purchase.

INCLUSIONS: "ONE YEAR LIMITED WARRANTY"

- ❖ All 24 K gold trims and accessories against tarnishing.
- ❖ All trim accessories against tarnishing and paint defects.
- ❖ Control Modules, hand held remotes, battery holders
- ❖ Gas control valves, pilot assemblies including thermopiles, thermocouples, electrodes, and igniters.

The above will be covered "parts & labor" to the original purchaser for ONE year from date of purchase.

EXCLUSIONS:

- ❖ Ember material.
- ❖ Travel time or mileage to original purchasers residence. Brigantia suggests that you pre-arrange travel expenses with your Authorized Brigantia Dealer.

WHAT TO DO IN THE EVENT OF A PROBLEM:

- ❖ Thoroughly read your manual.
- ❖ If you cannot solve the problem, contact your Brigantia Dealer or representative.
- ❖ When calling for help please have the following information:

Model of your Fireplace	Serial Number	Place of Purchase
--------------------------------	----------------------	--------------------------

Date of Purchase	Problem Description	
-------------------------	----------------------------	--

- ❖ NOTE: Warranty may be void if work is carried out by an unqualified person (s). Only original Brigantia parts may be used. Please consult your Brigantia dealer or representative if in doubt about a replacement part (s).

OBTAINING WARRANTY SERVICE:

To obtain warranty service, the original purchaser shall return the defective part (s) to the original authorized Brigantia selling dealer transportation prepaid, along with the serial number of the appliance and proof of purchase. Any defective part, in our judgment, will be repaired or replaced at Archgard's discretion. The dealer must obtain approval from Archgard before any charge back repairs are performed.

WARRANTY LIMITATION:

THIS LIMITED WARRANTY IS MADE IN LIEU OF ALL OTHER WARRANTIES, EXPRESSED OR IMPLIED AS TO QUALITY, MERCHANTABILITY OR FITNESS FOR PARTICULAR PURPOSE.

The appliance is only warranted for the use as intended by the installation and operating instruction and local building codes. The warranty will not cover damage due to accident, misuse, abuse, alteration, improper installation or "Acts Of God".

This limited warranty is void unless the appliance is installed by a qualified installer, in accordance with the instructions furnished with the appliance. Some Provinces or States do not allow limitations on how long an implied warranty lasts, so the above limitation may not apply to the original purchaser. Any damage resulting from defects in this product, is limited to the replacement of the defective part (s) and does not include incidental and consequential exposures sustained in connection with the product. This includes facing (s), mantle (s), cabinet (s), tile (s) or any other finishes resulting from removal of any gas appliance. This warranty is limited to residential use only and gives the consumer specific rights. These rights may vary from State to State or Province to Province.

POSTAGE

WARRANTY REGISTRATION

**BRIGANTIA FIREPLACES
7116 BEATTY DRIVE
MISSION, B.C. CANADA
V2V 6B4**

FOLD DOWN AT LINE

FOLD DOWN AT LINE & TAPE CLOSED

Model # : 24-DVRS25N Serial #: _____ Date Installed: _____ / _____ / _____
mm dd yyyy

Name: _____ Address: _____

City: _____ State/Prov: _____ ZIP: _____ Phone: (_____) _____

Dealer's Name & Address: _____

City: _____ State/Prov: _____ ZIP: _____ Phone: (_____) _____

Installer's Name & Address: _____

City: _____ State/Prov: _____ ZIP: _____ Phone: (_____) _____

Why did you choose this product? _____

Thank you for purchasing our product and filling out this warranty card.

CUT ALONG LINE

CUT ALONG LINE

CUT ALONG LINE

ARCHGARD FIREPLACES

7116 BEATTY DRIVE
MISSION, B.C. V2V 6B4
CANADA

WEBSITE: WWW.ARCHGARD.COM