



**HDKPD36, HDKPD48, HDKPD63, HDKPD72  
COOL WALL ADVANTAGE TV KIT  
HDKSD, HDKSVD,  
HEAT DISTRIBUTION SIDEWALL KIT**

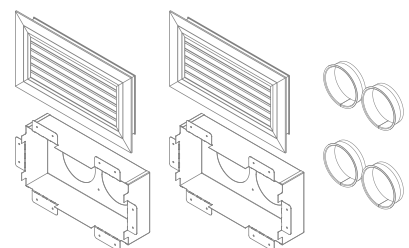
COMPATIBLE WITH:  
DELRAY LINEAR, DELRAY SQUARE, DISTINCTION

- Refer to the chart below to determine the length of 5" diameter flex pipe required for completion of installation (12' or 24'). Flex pipe is available from Montigo as part # HDKPDFK and HDKPDFK-1.
- The installation of this fireplace must be done by a qualified and certified gas appliance installer.
- Check local codes and read all instructions prior to installation.
- See installation manual for clearances to combustibles materials
- Minimum clearance to flexible ducting is 1"

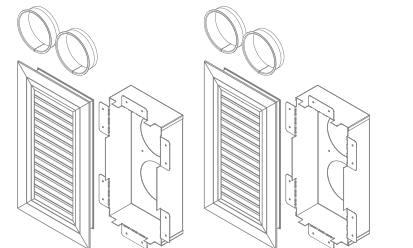
**UNIT COMPATIBILITY**

Cool wall system	D3615NI-2	D4815NI-2	D6315NI-2	D7215NI-2	DRL3613NI-*	DRL4813NI-*	DRL6013NI-*	DRSQ34NI-*	DRSQ38NI-*	DRSQ42NI-*	DRSQ46NI-*
HDKPD36	✓				✓			✓	✓		
HDKPD48		✓				✓				✓	✓
HDKPD63			✓				✓				
HDKPD72				✓							
HDKSD	✓	✓	✓	✓	✓	✓	✓	✓	✓	✓	✓
HDKSVD	✓	✓	✓	✓	✓	✓	✓	✓	✓	✓	✓
HDKPDFK-1	✓				✓	✓	✓	✓	✓	✓	✓
HDKPDFK		✓	✓	✓	✓	✓	✓	✓	✓	✓	✓

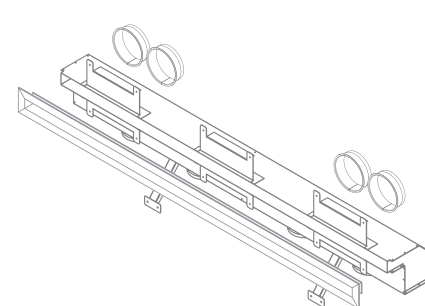
Cool Wall Advantage Side Discharge Kit horizontal  
HDKSD  
[Includes 2 louvers , 2 plenums, requires flex kit]



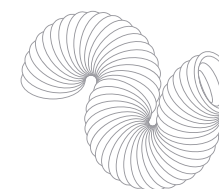
Cool Wall Advantage Side Discharge Kit vertical  
HDKSVD  
[Includes 2 louvers , 2 plenums, requires flex kit]



Cool Wall Advantage Kit  
HDKPD\*\*  
[Includes louver , plenum, requires flex kit]



Cool Wall Flex Kit  
HDKPDFK  
HDKPDFK-1  
[HDKPDFK-1 is 12' of 5" Diameter flex pipe, HDKPDFK is 24' of 5" Diameter flex pipe]



An alternate 5-inch diameter duct may be used with this kit providing it is metal and meet requirements of UL-181 Class 1 Air Duct. Flexible aluminium duct is acceptable provided it meets the UL-181 Class 1 requirements.

**Dimensions**

**COOL WALL TV KIT DIMENSIONS**

	A	B	C	D	E	F	G	H	I
36"	39 1/8"	38 7/8"	3"	1 1/2"	N/A	2"	9 5/16"	N/A	7 1/16"
48"	51 7/8"	50 7/8"	3"	1 1/2"	30 1/2"	2"	9 5/16"	21"	7 1/16"
63"	66 1/8"	65 1/8"	3"	1 1/2"	38 3/8"	2"	9 5/16"	21"	6 5/16"
72"	75 1/8"	74 1/8"	3"	1 1/2"	39 1/8"	2"	9 5/16"	21"	7 1/16"

**NOTICE**  
Installer: Leave this manual with the appliance.  
Consumer: Retain this manual for future reference.

**WARNING**  
Some materials used in the manufacturing process of this product can expose you to Benzene which is known in the State of California to cause cancer and birth defects or other reproductive harm. For more information go to [www.P65warnings.ca.gov](http://www.P65warnings.ca.gov)

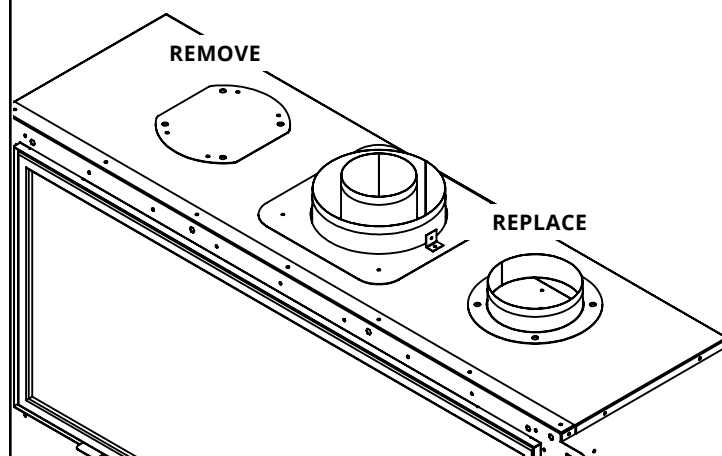
**HDKSD PLENUM DIMENSIONS**

**GRSDH HORIZONTAL AND VERTICAL LOUVER DIMENSIONS**



## TV Kit Framing

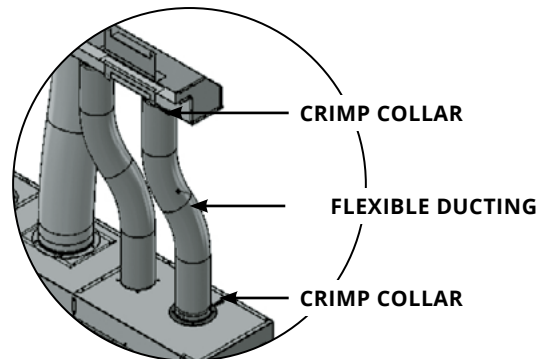
**1** Unscrew Cap and replace with supplied Crimp Collars using the same hardware.



**2** Secure Heat Distribution kit to Framing at Desired Height and use supplied crimp collars to secure ducting with tek screws.

If using Montigo Flex Pipe Kit please ensure that the pipe is fully extended before cutting to desired length. Montigo flex pipe can be stretched 50% (e.g. 6' pipe can be stretched to 9')

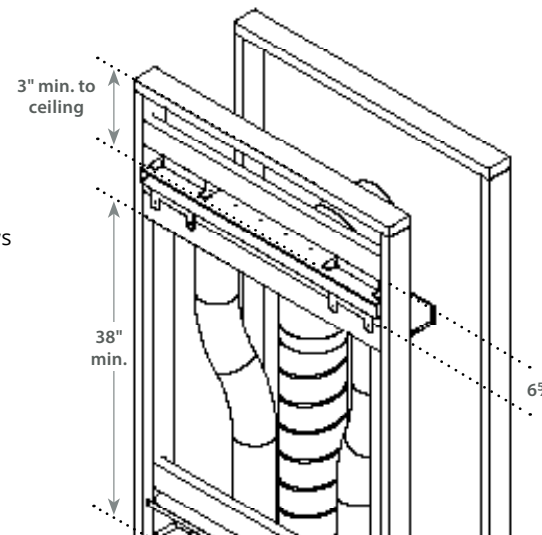
Maintain 1" Clearance to combustibles from flex pipe.



**3** **HDKPD FRAMING DIMENSIONS**

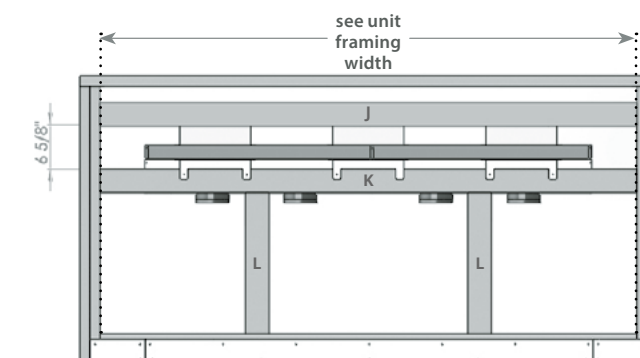
The opening should be a minimum of 38" from the top of the fireplace and a minimum of 3" from the ceiling.

Secure with 12 wood screws (not provided)



**4** Install boards J and K first then secure the TV kit with the lower screws. Boards L will be cut to length depending on the height of the Heat Distribution Kit.

Then install the upper board J to secure the Heat Distribution Kit.



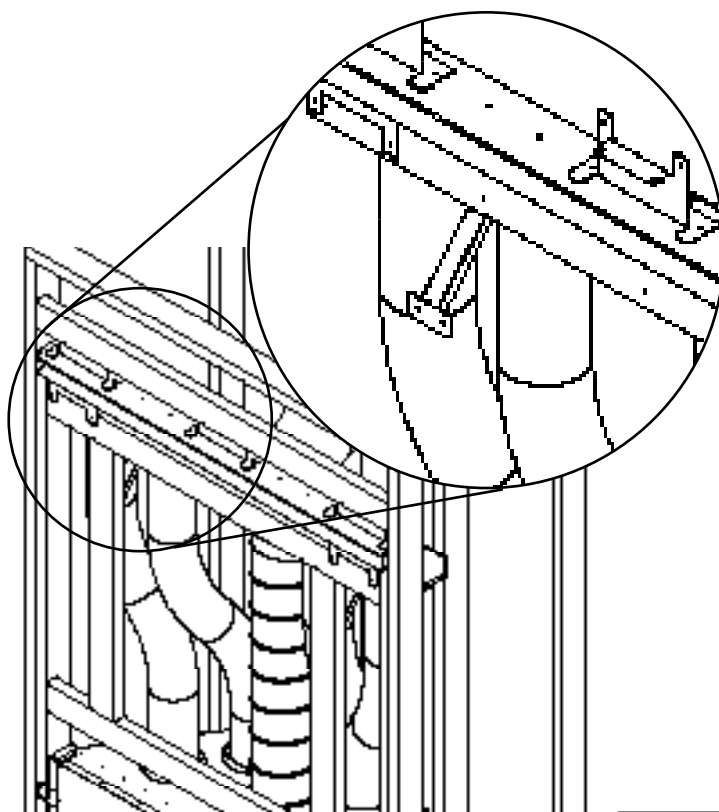
**VENTING PORT COUNT**

Fireplaces	D3615NI-2	D4815NI-2	D6315NI-2	D7215NI-2	DRL3613NI-*	DRL4813NI-*	DRL6013NI-*	DRSQ34NI-*	DRSQ38NI-*	DRSQ42NI-*	DRSQ46NI-*
2 venting ports	✓	✓	✓	✓	✓	✓	✓	✓	✓	✓	✓
4 venting ports		✓	✓	✓	✓	✓	✓	✓	✓	✓	✓

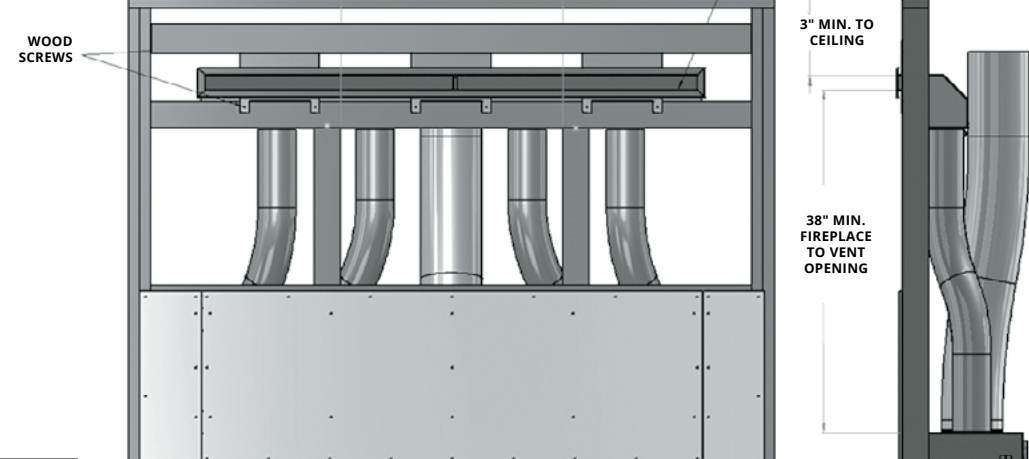
**⚠ WARNING**

All venting ports must be connected to a plenum.

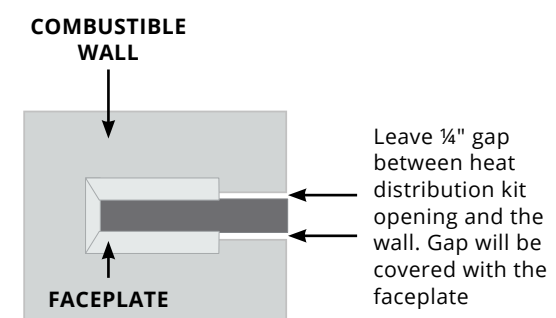
**5** 48" 63" and 72" TV kits have stabilizing feet that must be attached to the framing. Refer to the TV Kit dimensional chart for measurements



**6** SEE DIMENSION "E" IN TV KIT DIMENSIONS. 3 TEK SCREWS FOR FACEPLATE.



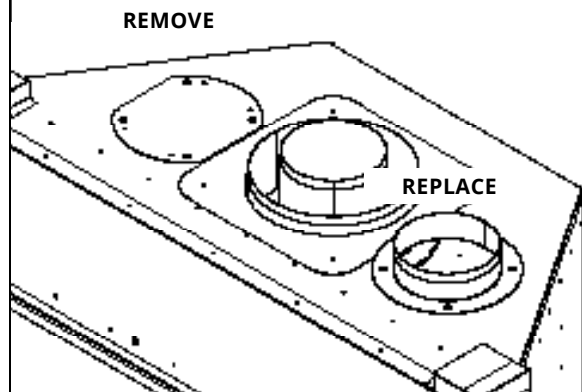
**7** Faceplate can be painted with a high temperature paint to match room decor





## Sidewall Kit Framing

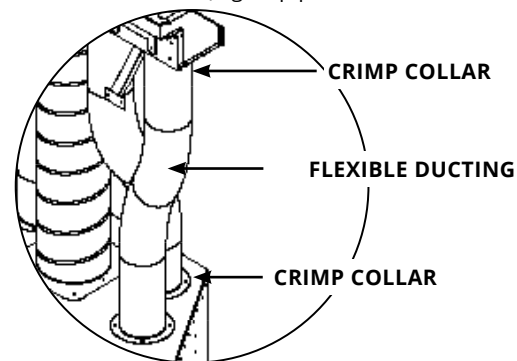
**1** Unscrew Cap and replace with supplied Crimp Collars using the same hardware.



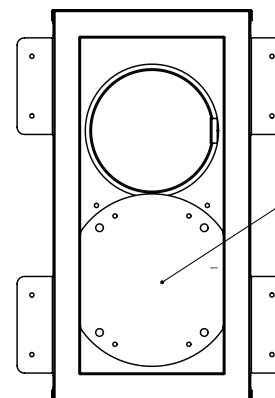
**2** Secure Heat Distribution kit to Framing at Desired Height and use supplied crimp collars to secure ducting with tek screws.

If using Montigo Flex Pipe Kit please ensure that the pipe is fully extended before cutting to desired length. Montigo flex pipe can be stretched 50% (e.g. 6' pipe can be stretched to 9')

Maintain 1" Clearance to combustibles from flex pipe.

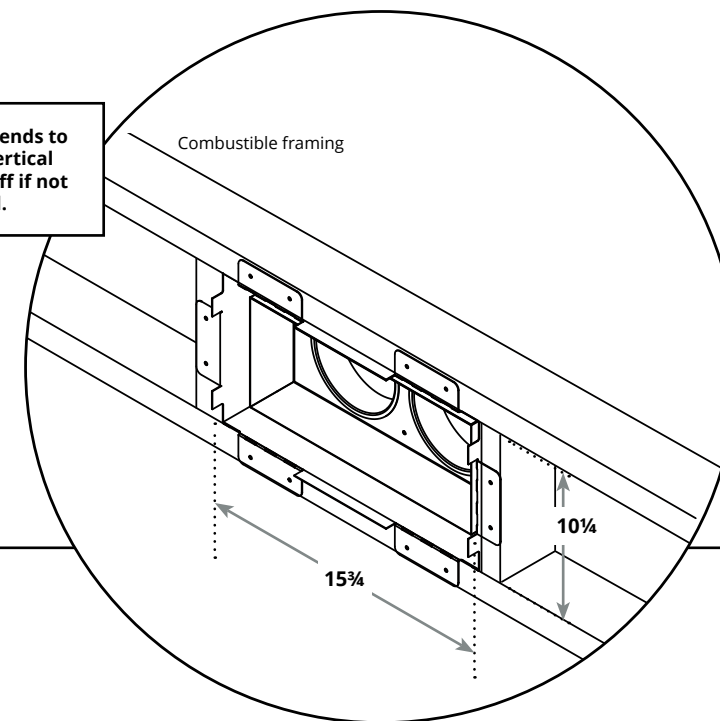


**3 HDKSD FRAMING DIMENSIONS**  
Framing dimensions apply for both horizontal and vertical kits



Plenum has 6 tabs with finger bends to attach to either horizontal or vertical framing. Tabs can be snapped off if not needed for screwing to the stud.

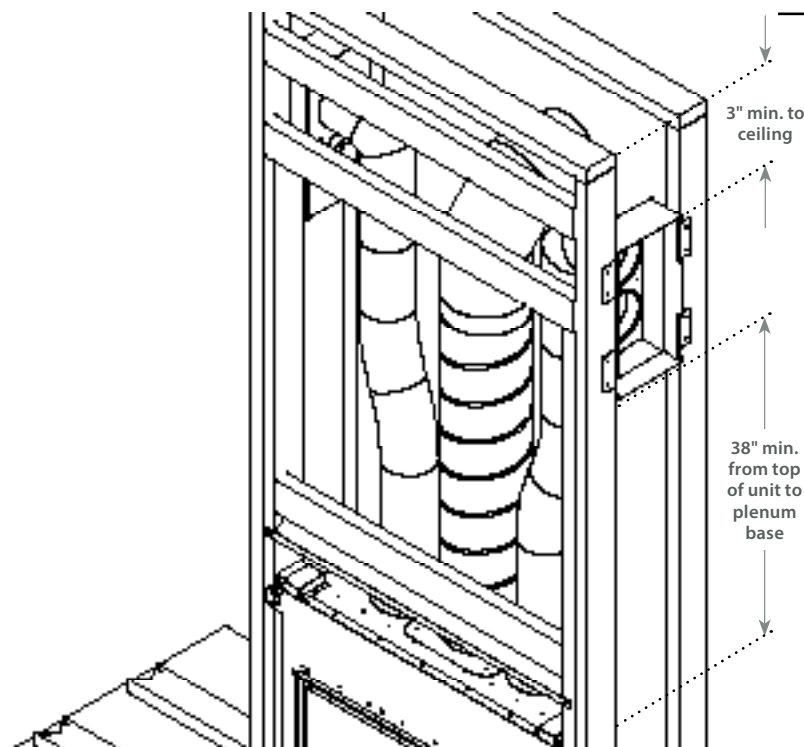
Caps from top of fireplace (Only for heat kit installs on units with only 2 venting ports) Attach with tek screws



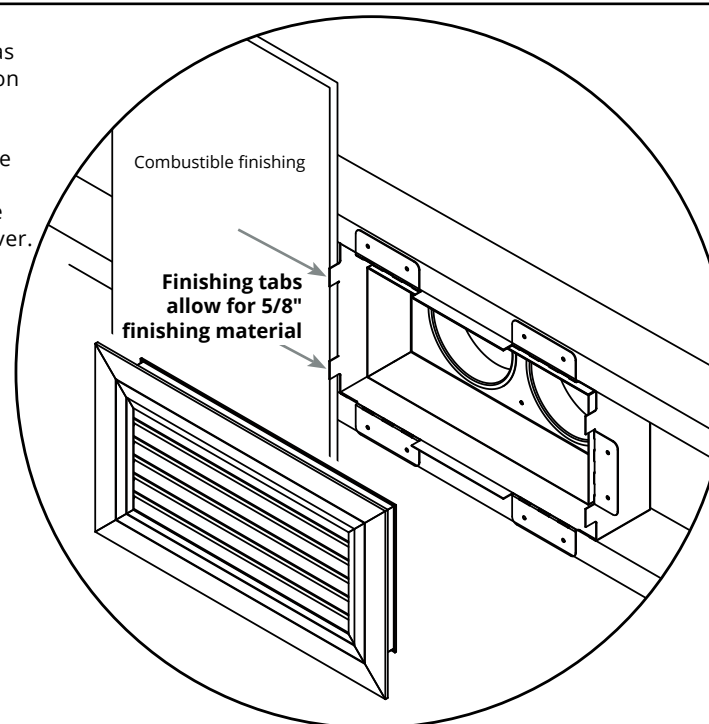
### VENTING PORT COUNT

Fireplaces	D3615NI-2	D4815NI-2	D6315NI-2	D7215NI-2	DRL3613NI-*	DRL4813NI-*	DRSQ34NI-*	DRSQ38NI-*	DRSQ42NI-*	DRSQ46NI-*
2 venting ports	✓	✓	✓	✓	✓	✓	✓	✓	✓	✓
4 venting ports		✓	✓	✓	✓	✓	✓	✓	✓	✓

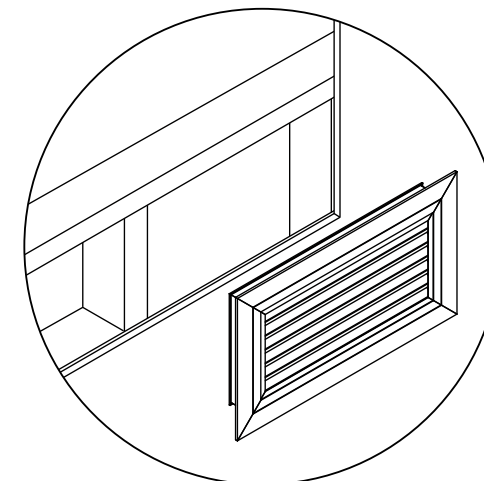
**4** Atta fran scre ben hori



**4** The plenum has tabs as an aid in the installation of a finishing material. It is important not to encroach beyond these tabs with a finishing as this will prevent the attachment of the louver.



In order to ventilate a chase without the use of a cool wall kit, the louvers can be installed on the chase opening to finish the exposed area.



## DISTINCTION NOTE:

### Fan usage when utilising Cool Wall Advantage

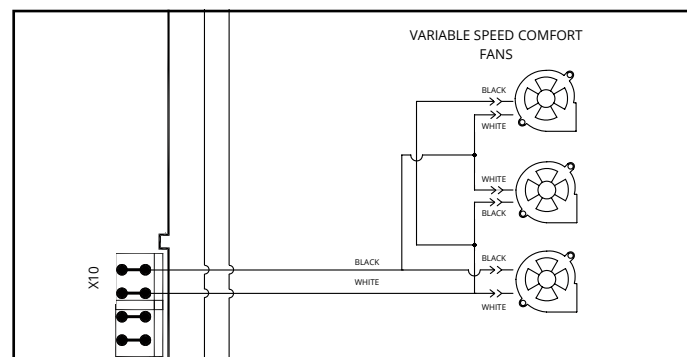
The use of the fans when the Cool Wall Release OR Cool Wall Advantage system is used will result in significantly higher wall temperatures. These higher temperatures can negatively impact the finished wall surface, art, and or mounted TV. Therefore, Montigo **STRONGLY RECOMMENDS** that fans be disconnected when the Cool Wall Release OR Cool Wall Advantage system is used. This can be done through the remote control (See instructions) or by disconnecting the fan harness. Montigo is **NOT** responsible for damage to facing materials, and items placed above the fireplace (eg. TV, artwork)

#### Disable fans via remote

1. Turn the fireplace on, turn fans to off setting.
2. Partially take out one battery.
3. Hold both the Mode AND On/Off button.
4. Insert battery (while still holding the two buttons), then release Mode button (keep On/Off pressed).
5. Cycle through modes with Mode button until you get to fan setting, with Down button set fan function from Set to Clr.
6. Release On/Off button, turn the fireplace on. There will be no fan mode on remote.

#### Disable fans via harness

1. Unplug the fan harness from the X10 connector on the board.



## DELRAY LINEAR, DELRAY SQUARE NOTE:

### Fan usage when utilising Cool Wall Advantage

The use of the fans when the Cool Wall Release OR Cool Wall Advantage system is used will result in significantly higher wall temperatures. These higher temperatures can negatively impact the finished wall surface, art, and or mounted TV. Therefore, Montigo **STRONGLY RECOMMENDS** that fans be disconnected when the Cool Wall Release OR Cool Wall Advantage system is used. This can be done through the remote control (See instructions) or by disconnecting the fan harness. Montigo is **NOT** responsible for damage to facing materials, and items placed above the fireplace (eg. TV, artwork)

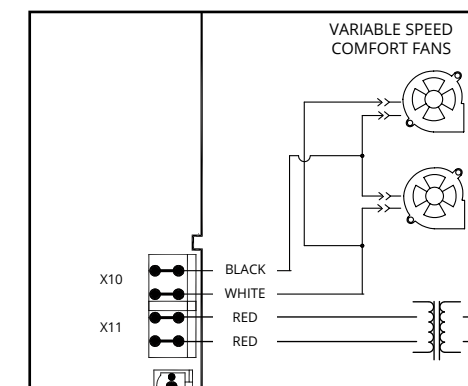
#### FULL LOAD VERSIONS:

#### Disable fans via remote

1. Turn the fireplace on, turn fans to off setting.
2. Partially take out one battery.
3. Hold both the Mode AND On/Off button.
4. Insert battery (while still holding the two buttons), then release Mode button (keep On/Off pressed).
5. Cycle through modes with Mode button until you get to fan setting, with Down button set fan function from Set to Clr.
6. Release On/Off button, turn the fireplace on. There will be no fan mode on remote.

#### Disable fans via harness

1. Unplug the fan harness from the X10 connector on the board.



#### BASIC VERSIONS (IF OPTIONAL FAN KIT ALREADY INSTALLED):

#### Disable fans via harness

1. Unplug the fan harness that connects power to the speed control.

