

MONTIGO®

PRODIGY

PRODIGY / PROUDLY HANDCRAFTED IN NORTH AMERICA

Single sided

See through

Corner

Bay



PRODIGY / COMMERCIAL GRADE

PERFECT FOR HIGH END LUXURY HOMES OR LIGHT COMMERCIAL APPLICATIONS

COOL-PACK GLASS

Montigo's patented COOL-Pack glass technology has been designed to significantly increase safety by maintaining glass temperatures as low as 115°F (46°C). COOL-Pack technology makes it safe to touch the glass, reducing associated liability risks for the property owner.

OVER 150 CONFIGURATIONS

Architects, designers, and homeowners alike, will appreciate the ability to feature fire in just about any location. With our proprietary power venting system and team of expert engineers, a Montigo Prodigy can be installed virtually anywhere.

PRO

PRODIGY / PC436 / DRIFTWOOD SPECKLED STONES



THE **PRODIGY** ADDS TRANQUILITY AND WARMTH TO ANY SPACE.

COMMERCIAL GRADE

Built with a commercial grade valve and control system backed by our uncompromising quality and long-term reliability and a 10-year limited warranty.

CSA CERTIFICATION

With Montigo's on-site lab, every standard Montigo fireplace is manufactured, tested and certified to meet stringent CSA guidelines, ensuring optimum quality, performance, and safety.



PRODIGY

PRODIGY / PCST620 / LOWER GREENVILLE CLUBROOM / DALLAS





BEAUTY, CREATIVITY

PRODIGY

Single Sided
See through

QUICK DIMENSIONS

	PC3		PC4		PC5		PC6		PC7		PC8	
	UNIT	FRAM.	UNIT	FRAM.	UNIT	FRAM.	UNIT	FRAM.	UNIT	FRAM.	UNIT	FRAM.
F.WIDTH	40 ¹ / ₄	42 ¹ / ₄	52 ¹ / ₄	54 ¹ / ₄	64 ¹ / ₄	66 ¹ / ₄	76 ¹ / ₄	78 ¹ / ₄	88 ¹ / ₄	90 ¹ / ₄	100 ¹ / ₄	102 ¹ / ₄
HEIGHT [°]	23 ¹ / ₈	26 ³ / ₁₆	23 ¹ / ₈	26 ³ / ₁₆	23 ¹ / ₈	26 ³ / ₁₆	23 ¹ / ₈	26 ³ / ₁₆	23 ¹ / ₈	26 ³ / ₁₆	23 ¹ / ₈	26 ³ / ₁₆
SS DEPTH	19 ⁷ / ₈	19 ¹ / ₄	19 ⁷ / ₈	19 ¹ / ₄	19 ⁷ / ₈	19 ¹ / ₄	19 ⁷ / ₈	19 ¹ / ₄	19 ⁷ / ₈	19 ¹ / ₄	19 ⁷ / ₈	19 ¹ / ₄
ST DEPTH	19 ⁷ / ₈	18 ⁷ / ₁₆	19 ⁷ / ₈	18 ⁷ / ₁₆	19 ⁷ / ₈	18 ⁷ / ₁₆	19 ⁷ / ₈	18 ⁷ / ₁₆	19 ⁷ / ₈	18 ⁷ / ₁₆	19 ⁷ / ₈	18 ⁷ / ₁₆
VIEWING	36 × H		48 × H		60 × H		72 × H		84 × H		96 × H	

Unit dimensions do not include mounting flanges

Standard

- COOL-Pack glass system
- Multi-color LED lighting
- Intake dampers
- Choice of glass media

Options

- Speckled stones, driftwood
- Indoor-Outdoor seal kit for see through units
- Black reflective glass[†]
- Flue gas dampers

[†] Standard in PC420 PC520 PC620 PC820

[°] Plus glass height

BTU LISTING

PC**3**N* / 40,000
 PC**4**N* / 50,000
 PC**5**N* / 75,000

PC**6**N* / 88,000
 PC**7**N* / 100,000
 PC**8**N* / 112,000

PC**3**L* / 31,000
 PC**4**L* / 52,000
 PC**5**L* / 64,000

PC**6**L* / 78,000
 PC**7**L* / 105,000
 PC**8**L* / 120,000

Features

All glass barriers, no screen required

Zero clearance

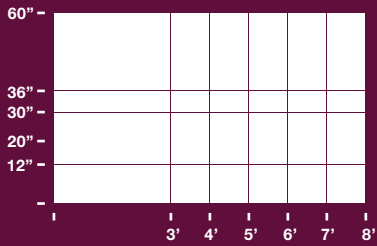
Compatible with home automation systems

Commercial grade valve, burner and control system



AND SAFETY

AVAILABLE DIMENSIONS



Indoor-Outdoor

Bridge the ample beauty of the outdoors with the comfort of your indoor space. Any size see-through prodigy can be transformed into a fully sealed indoor-outdoor unit with the addition of a kit.



TRANQUILITY & WAFF

PRODIGY

Bay
Corner

Standard

- COOL-Pack glass system
- Multi-color LED lighting
- Intake dampers
- Choice of glass media

Options

- Speckled stones, driftwood
- Black reflective glass
- Flue gas dampers

QUICK DIMENSIONS

	PC3		PC4		PC5		PC6		PC7		PC8	
	UNIT	FRAM.	UNIT	FRAM.	UNIT	FRAM.	UNIT	FRAM.	UNIT	FRAM.	UNIT	FRAM.
BAY WIDTH	43 ⁷ / ₈	42 ¹ / ₁₆	55 ⁷ / ₈	54 ¹ / ₁₆	67 ⁷ / ₈	66 ¹ / ₁₆	79 ⁷ / ₈	78 ¹ / ₁₆	91 ⁷ / ₈	90 ¹ / ₁₆	103 ⁷ / ₈	102 ¹ / ₁₆
COR. WIDTH	43 ⁷ / ₈	43 ¹ / ₄	55 ⁷ / ₈	55 ¹ / ₄	67 ⁷ / ₈	67 ¹ / ₄	79 ⁷ / ₈	79 ¹ / ₄	91 ⁷ / ₈	91 ¹ / ₄	103 ⁷ / ₈	103 ¹ / ₄
HEIGHT [°]	23 ¹ / ₄	26 ³ / ₁₆	23 ¹ / ₄	26 ³ / ₁₆	23 ¹ / ₄	26 ³ / ₁₆	23 ¹ / ₄	26 ³ / ₁₆	23 ¹ / ₄	26 ³ / ₁₆	23 ¹ / ₄	26 ³ / ₁₆
DEPTH	19 ⁷ / ₈	19 ¹ / ₄	19 ⁷ / ₈	19 ¹ / ₄	19 ⁷ / ₈	19 ¹ / ₄	19 ⁷ / ₈	19 ¹ / ₄	19 ⁷ / ₈	19 ¹ / ₄	19 ⁷ / ₈	19 ¹ / ₄
BAY VIEW	39 ¹ / ₂ x H		51 ¹ / ₂ x H		63 ¹ / ₂ x H		75 ¹ / ₂ x H		87 ¹ / ₂ x H		99 ¹ / ₂ x H	
COR. VIEW	43 ¹ / ₂ x H		55 ¹ / ₂ x H		67 ¹ / ₂ x H		79 ¹ / ₂ x H		91 ¹ / ₂ x H		103 ¹ / ₂ x H	

Unit dimensions do not include mounting flanges

[°] Plus glass height

BTU LISTING

- PC**3**N* / 40,000
- PC**4**N* / 50,000
- PC**5**N* / 75,000

- PC**6**N* / 88,000
- PC**7**N* / 100,000
- PC**8**N* / 112,000

- PC**3**L* / 31,000
- PC**4**L* / 52,000
- PC**5**L* / 64,000

- PC**6**L* / 78,000
- PC**7**L* / 105,000
- PC**8**L* / 120,000



Features

All glass barriers, no screen required

Zero clearance

Compatible with home automation systems

Commercial grade valve, burner and control system

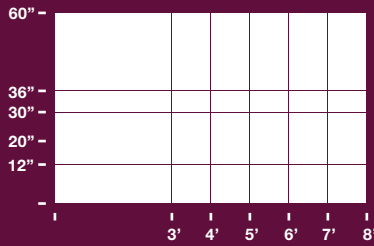
10mm glass



WARMTH IN ANY SPACE

10mm glass

AVAILABLE DIMENSIONS





SPECKLED STONES
RR***SS

COPPER
HW1143

AMBER
HW1261

ICE
HW1157

GLACIER
HW1219B

PLATINUM
HW1144

ALABASTER
HW1260

OBSIDIAN
HW1113

ONYX
HW1259

MEDIA

SAGE
HW1082

QUARTZ
HW1106

FROST
HW1112

EBONY
HW1091

DRIFTWOOD
LGS***



Unit Specifications

	BTU Natural Gas	BTU Liquid Propane	Intake venting	Required B vent	Electrical requirements	Powevent Roof	Powevent Wall	Powevent Inline	Total area of free air intake
PC**3****	40,000	31,000	2 x 6"	8"	208-240 VAC Single Phase 15 Amp	PCSBFPV-R03-08	PCSBFPV-W03-08	PCINGPV-L03-08	56.52 sq.inches
PC**4****	50,000	52,000	2 x 8"	10"	208-240 VAC Single Phase 15 Amp	PCSBFPV-R03-10	PCSBFPV-W03-10	PCINGPV-L03-10	100.48 sq.inches
PC**5****	75,000	64,000	2 x 8"	10"	208-240 VAC Single Phase 15 Amp	PCSBFPV-R03-10	PCSBFPV-W03-10	PCINGPV-L03-10	100.48 sq.inches
PC**6****	88,000	78,000	2 x 8"	10"	208-240 VAC Single Phase 15 Amp	PCSBFPV-R03-10	PCSBFPV-W03-10	PCINGPV-L03-10	100.48 sq.inches
PC**7****	100,000	105,000	2 x 8"	10"	208-240 VAC Single Phase 15 Amp	PCSBFPV-R03-10	PCSBFPV-W03-10	PCINGPV-L03-10	100.48 sq.inches
PC**8****	112,000	120,000	2 x 10"	12"	208-240 VAC Single Phase 15 Amp	PCSBFPV-R03-12	PCSBFPV-W03-12	PCINGPV-L03-12	157 sq. inches

Body finish	Flue location	Intake vent locations	COOL-Pack glass temperature	Burner style	Fuel	Controls	Control cable	Wall switch cable	Damper cable
Matte black	Top	Top both sides	As low as 115°F (46°C)	See chart	Natural gas or propane	On/Off wall switch, multifunction LED remote	50'	25'	50'x2

PRODIGY QUICKSHIP

The following units are stocked and feature premium Glacier firestones and pre-installed black reflective glass panels. Natural gas only.
PC420 PC520 PC620 PC820

	PC3 BURNER STYLE	PC4 BURNER STYLE	PC5 BURNER STYLE	PC6 BURNER STYLE	PC7 BURNER STYLE	PC8 BURNER STYLE
60"	ribbon	high/low	high/low	high/low	high/low	high/low
36"	ribbon	high/low	high/low	high/low	high/low	high/low
30"	ribbon	high/low	high/low	high/low	high/low	high/low
20"	ribbon	high/low	high/low	high/low	high/low	high/low
12"	ribbon	ribbon	ribbon	ribbon	ribbon	ribbon



**RIBBON
BURNER**

**HIGH-LOW
BURNER**

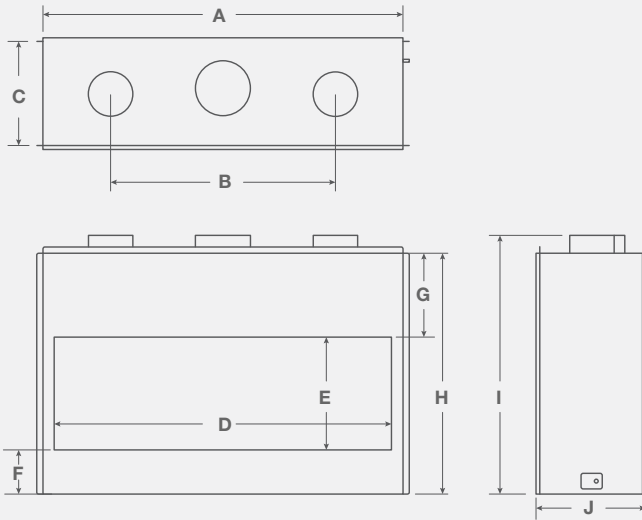
Unit Dimensions

FLANGE DIMENSIONS

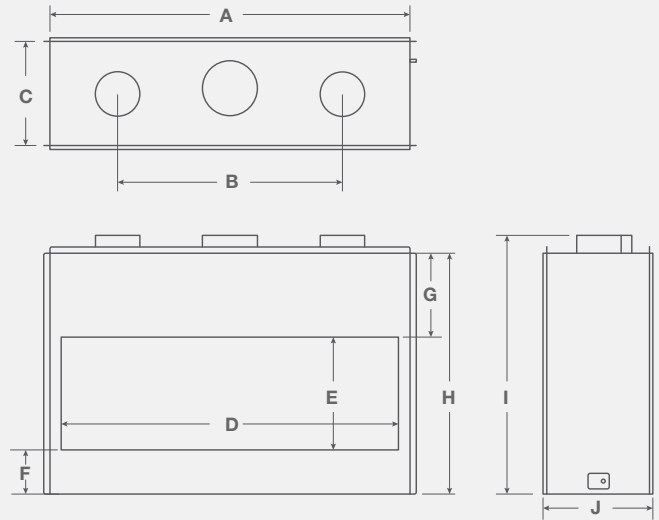
1" mounting flanges are removable and vary in location based on the unit configuration. Flanges on the Single sided and See through units are set back 5/8". Additionally, the flange on the top of all Prodigy configurations is set back 5/8".



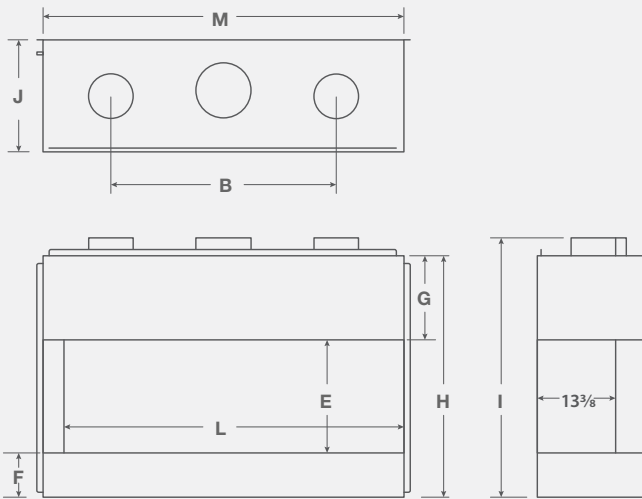
PRODIGY SINGLE SIDED DIMENSIONS



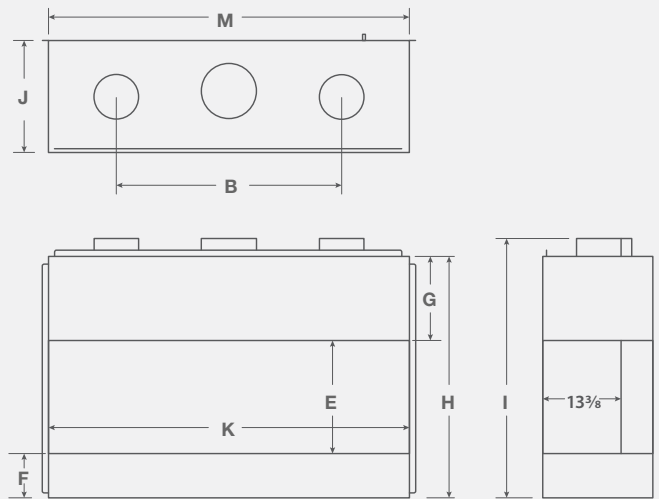
PRODIGY SEE THROUGH DIMENSIONS



PRODIGY CORNER DIMENSIONS



PRODIGY BAY DIMENSIONS



	AIR INTAKE	EXHAUST	A	B	C	D	E	F	G	H	I	J	K	L	M
8	2X10	12"	100 1/4	60		95 1/2							103 1/2	99 3/4	103 3/8
7	2X8	10"	88 1/4	56		83 1/2							91 1/2	87 3/4	91 1/8
6	2X8	10"	76 1/4	48		71 1/2							79 1/2	75 3/4	79 7/8
5	2X8	10"	64 1/4	40	18 3/8	59 1/2							67 1/2	63 3/4	67 7/8
4	2X8	10"	52 1/4	32		47 1/2							55 1/2	51 3/4	55 7/8
3	2X6	8"	40 1/4	24		35 1/2							43 1/2	39 3/4	43 7/8

12,
20,
30,
36,
60

8 3/8 15 3/8

23 1/4 + Glass Height 26 3/16 + Glass Height

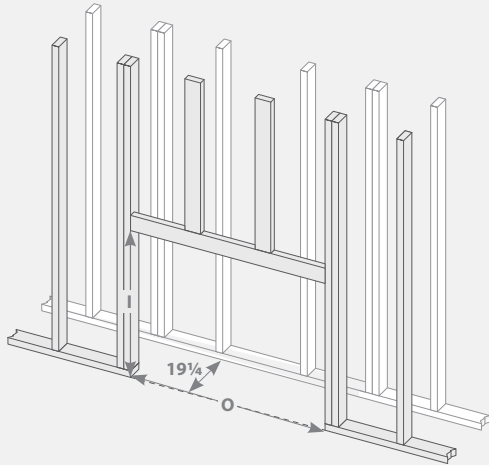
19 3/8

13 3/8

13 3/8

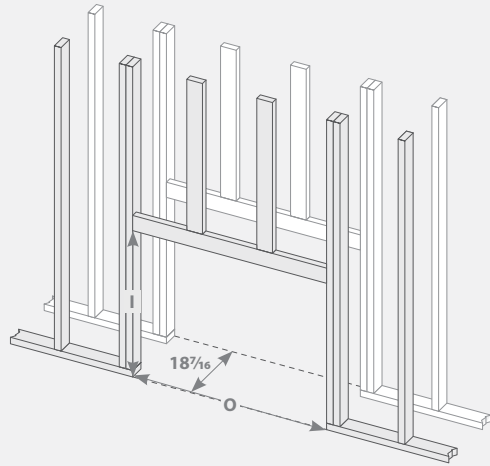
Unit Framing Rough-in

PRODIGY SINGLE SIDED FRAMING ROUGH IN



	3'	4'	5'	6'	7'	8'
O	42 ¹ / ₄	54 ¹ / ₄	66 ¹ / ₄	78 ¹ / ₄	90 ¹ / ₄	102 ¹ / ₄
I	26 ³ / ₁₆ + Glass Height					

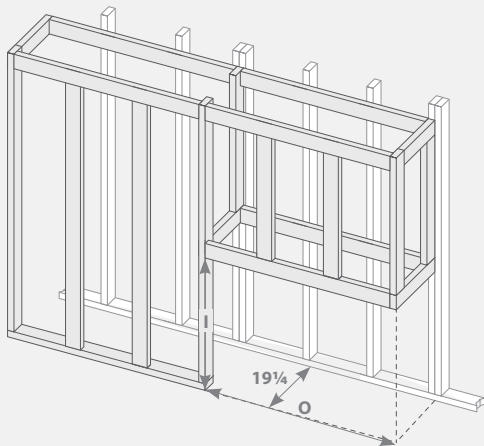
PRODIGY SEE THROUGH FRAMING ROUGH IN



	3'	4'	5'	6'	7'	8'
O	42 ¹ / ₄	54 ¹ / ₄	66 ¹ / ₄	78 ¹ / ₄	90 ¹ / ₄	102 ¹ / ₄
I	26 ³ / ₁₆ + Glass Height					

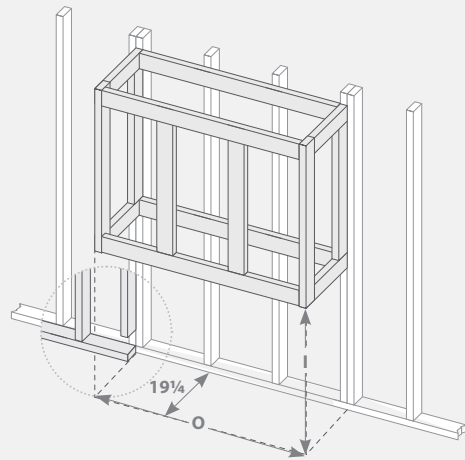
"O" dimension allows the unit to be pushed into place with the mounting flanges still installed. Once the unit is in place, add studs behind the mounting flanges to properly secure.

PRODIGY CORNER FRAMING ROUGH IN



	3'	4'	5'	6'	7'	8'
O	43 ¹ / ₄	55 ¹ / ₄	67 ¹ / ₄	79 ¹ / ₄	91 ¹ / ₄	103 ¹ / ₄
I	26 ³ / ₁₆ + Glass Height					

PRODIGY BAY FRAMING ROUGH IN



	3'	4'	5'	6'	7'	8'
O	42 ⁹ / ₁₆	54 ⁹ / ₁₆	66 ⁹ / ₁₆	78 ⁹ / ₁₆	90 ⁹ / ₁₆	102 ⁹ / ₁₆
I	26 ³ / ₁₆ + Glass Height					

1976: The Days Before Gas Fireplaces

In 1976, Montigo president and founder, Dan Binzer, started installing zero-clearance wood burning fireplaces for local builders in Vancouver, BC. Over the years, demand grew for a gas alternative, and Dan engineered and manufactured the first ever sandpan logset. The logset was installed in a zero-clearance wood burning fireplace shell, resulting in one of the first zero-clearance gas fireplaces on the market.

1985: Gas Fireplace Manufacturing Begins

Demand for gas grew rapidly, especially among multi-unit developments so Dan Binzer started a company called Canadian Heating that would offer full service design, engineering and manufacturing for gas fireplaces. Under the Montigo brand, Canadian Heating began manufacturing and selling a wide selection of zero-clearance gas fireplaces throughout Canada and in 1985 development began for the latest and greatest in gas fireplace technology – direct venting.

1994: Manufacturing Excellence is Achieved

Development and advancement of the gas fireplace continued over the years with continual developments to improve the efficiency of the fireplaces and perfected manufacturing processes to deliver an optimum fireplace each and every time – even for completely custom units.

Present: Leading the Way with Modern Fireplace Design

As one of the first to bring a linear designed fireplace to market, Montigo now offers the largest selection of linear fireplaces demanded by designers, architects and homeowners wanting to create a modern and contemporary space and homeowners wanting to create a modern and contemporary space.

WARNING

Some materials used in the manufacturing process of this product can expose you to Benzene which is known in the State of California to cause cancer and birth defects or other reproductive harm. For more information go to www.P65warnings.ca.gov

for more inspiration go to
www.montigo.com

MONTIGO[®]
the art of **fireplaces**



Our Guarantee

Montigo[®] stands behind the craftsmanship and durability of our products by providing a 10 year warranty on the burner and firebox on all our Prodigy fireplaces. All made using steel milled in the United States.



Printed in Canada

XB2708