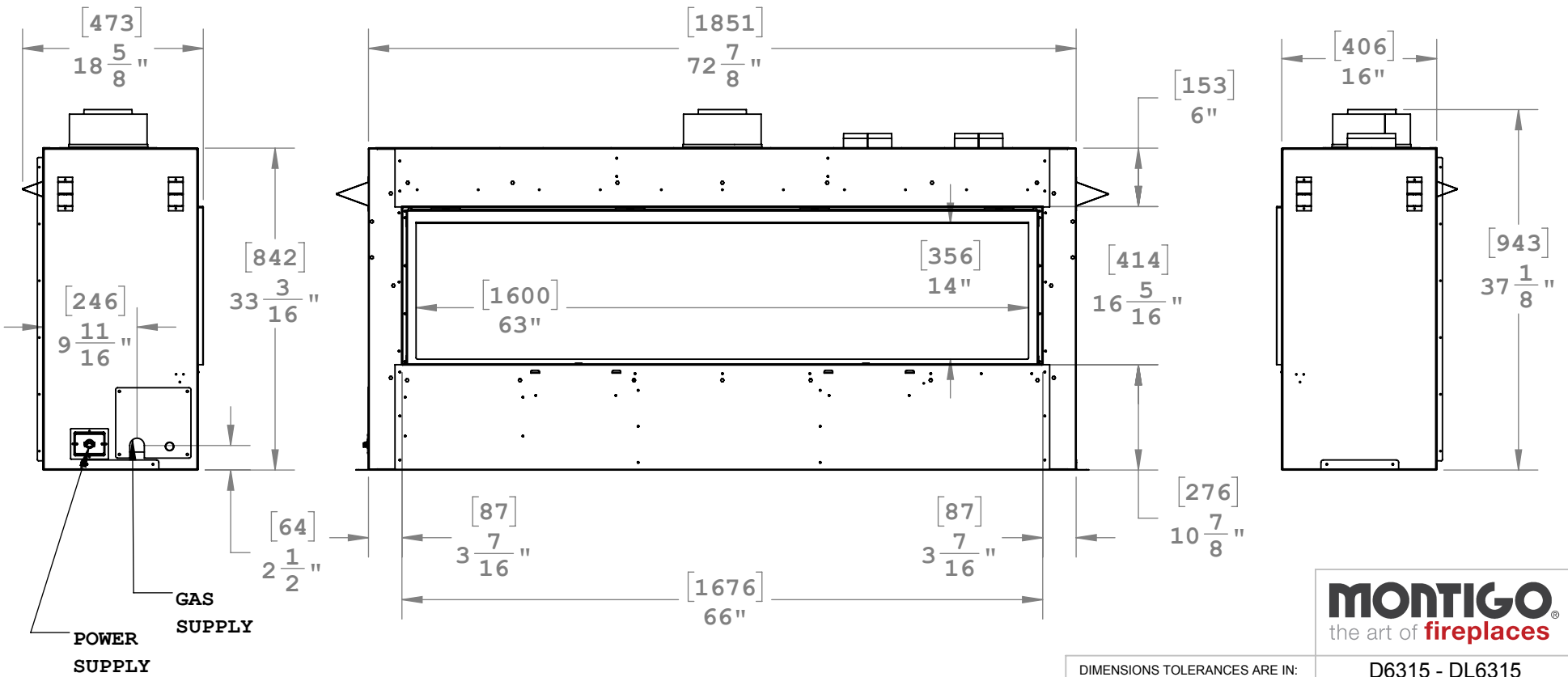
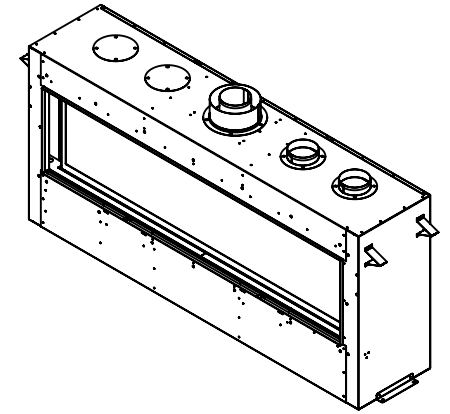
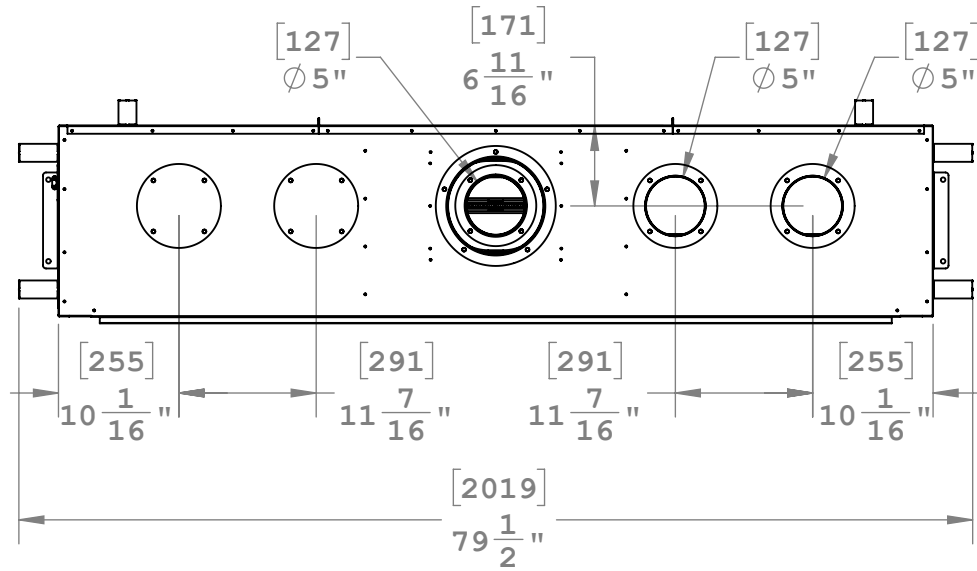


PROPRIETARY AND CONFIDENTIAL



DIMENSIONS TOLERANCES ARE IN:
 METRIC - MM ± 1.6 MM
 IMPERIAL - FRACTIONAL $\pm 1/16''$

MONTIGO
 the art of fireplaces®

D6315 - DL6315

DATE: December-07-17 9:50:54 AM