

Distinction Series



Distinction D6315 NG Flame
(Shown with standard Star Ice Fireglass and LED Accent Lighting)

 **MONTIGO**[®]
the art of fireplaces

The perfect combination of performance and design

A contemporary fireplace overtaking your entire
range of vision with elegance and style

Versatility

The Distinction adds tranquility and warmth to your home. Your desired media can completely cover the bed of the firebox, enhancing the ambience even when the fireplace is not in use.

Customization

From the Cool Wall Advantage all the way to the Invisimesh screen, the Distinction series offers endless options to tailor to your space.

Our Guarantee

Rest assured our uncompromising quality and long-term reliability is backed by our limited 10-year warranty.



Distinction D6315 NG Flame
(Shown with standard Star Ice Fireglass and LED Accent Lighting)



Distinction D Series

The newest addition to the prestigious Montigo catalogue, The Distinction offers a wide scope of luxury with 63" of viewing area. You won't have to sit close to the Distinction to feel the heat, as it features standard circulating fans to warm any space. Or enjoy a more gentle flame and heat with the 50% turndown. The unit also comes standard with reflective ceramic glass liners, multi color LED uplighting, Ceramic glass and a full function remote.



Distinction DL Series

A Simplified version of the D6315NI-2, this unit has the same 63"x15" proportions to add personality to any space. The DL6315NI ambitiously features a 40,000 BTU burner and a 30 foot wall switch wire. Any options that are standard to the D6315NI-2 can be added to the DL6315NI, giving you complete freedom to customise and match to your space.

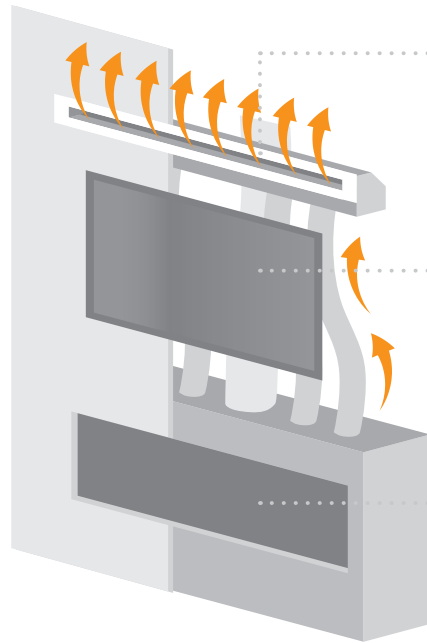


Distinction D6315ST NG Flame
(Shown with standard Star Ice Fireglass and LED Accent Lighting)

Cool Wall Advantage™

**ELEGANCE & HEAT,
EXACTLY WHERE YOU WANT IT.**

The Montigo Cool Wall Advantage, diverting heat away from the wall, keeping your tv or artwork safe.



190°F / 87°C Heat Vent

Heat is diverted through the Cool Wall advantage, safely bypassing your electronics or valued artwork.

100°F / 38°C TV or Artwork*

Wall temperature is cool, creating an area safer for mounting a TV, or hanging artwork.

550°F / 287°C Glass

Reduces glass temperature, which combined with the provided screen creates a safe viewing area.

* 100°F / 38°C temperature taken at 30" above fireplace opening



Distinction D6315 NG Flame
(Shown with standard Star Ice Fireglass and LED Accent Lighting)

Burner Media Accessories - Firestones



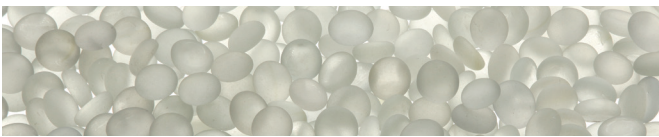
White, Silver, Opaque DGB01 (Order Code: HW1082)



Opal DGB04 (Order Code: HW1106)



Sapphire DGB08 (Order Code: HW1108)



Frost DGB10 (Order Code: HW1112)



Ebony DGB03 (Order Code: HW1091)



Ivory DGB09 (Order Code: HW1111)



Diamond Glazier (Order Code: HW1219B)

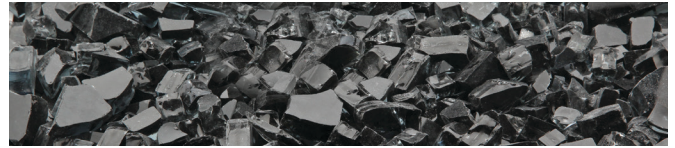


Melon DGB07 (Order Code: HW1109)



Multicolor LED Kit (Order Code: MCLEDDL63)

Burner Media Accessories - Fireglass



Black Ice DGM21 (Order Code: HW1113)



Platinum Ice DGM24 (Order Code: HW1144)



Copper Ice DGM23 (Order Code: HW1143)



Star Ice DGM25 (Order Code: HW1157)

Remote Control

Multi-Color LED Lights



IPI Remote
PF2RK Proflame 2
RX100**
RX200**



LED Remote

Burner Media Accessories - Stones & Logs



Speckled Stones (Order Codes: RR450SS)



Driftwood Log Set (Order Code: LGS59, LGS58)

InvisiMesh

InvisiMesh uses a fine yet strong steel mesh to create a screen that has a near threadlike appearance. Creating a viewing area that provides excellent protection while not obstructing your vision.



Distinction DL6315 LP Flame
(Shown with standard Star Ice Fireglass and Invisimesh Screen)

Distinction D-Series Standard Features:

- Full load Proflame2 control System and Full function remote control
- 50,000 BTU/HR NG or LP Montigo 4th generation linear concealed burner as well as Cool Wall Advantage™ kit.
- 50% turn down gas valve with stepper motor
- Ceramic glass door with flush safety screen
- Field convertible to propane with optional conversion kit
- Quiet circulating fans with remote speed adjustment
- Ceramic glass reflective liner kit
- Multicolor LED uplighting with remote control
- Star Ice Fireglass Media
- Metal framing and cementboard kit
- Invisimesh Screen

Distinction DL-Series Options:

- Heat distribution kit
- Cool Wall Advantage™ Kit

Distinction DL-Series Standard Features:

- Basic Proflame2 control System with 30' wall switch wire
- 40,000 BTU/HR NG or LP Montigo 4th generation linear concealed burner
- Single stage gas valve
- Borosilicate high temperature glass door with flush safety screen
- Field convertible to propane with optional conversion kit
- Star Ice Fireglass Media
- Metal framing and cementboard kit

Distinction DL-Series Options:

- 30% turn down valve with stepper motor
 - Full function remote control
 - Ceramic glass reflective liner kit
 - Multicolor LED uplighting with remote control
 - Cool Wall Advantage™ Kit
 - Invisimesh Screen
-



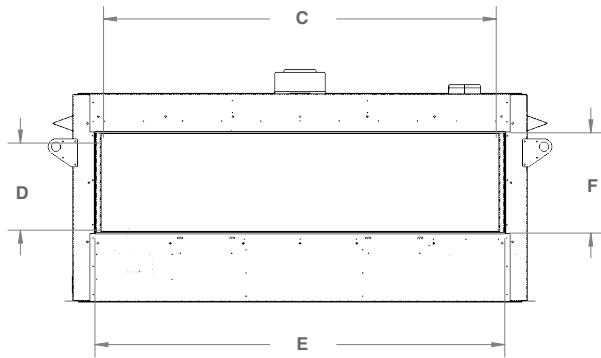
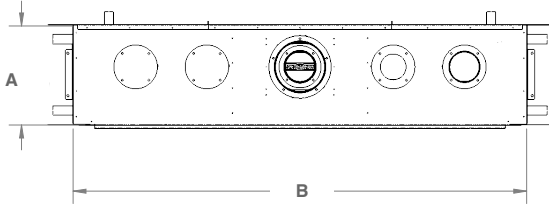
Distinction Series Components

	Order Code	Description
Models	D6315NI-2	Direct Vent model equipped with Proflame 2 IPI NG
	DL6315NI	Direct Vent model equipped with Proflame 2 IPI Propane (LP)
	D6315STNI-2	Direct Vent model equipped with Proflame 2 IPI NG
	DL6315STNI	Direct Vent model equipped with Proflame 2 IPI Propane (LP)
Standard Media Type	HW1157	Star Ice as supplied (3lb bags) 4 bags required
Optional Reflective Glass Kit	RBGD63	Reflective Glass Kit for single sided for DL units
	RBGD63ST	Reflective Glass Kit for see through for DL units
Optional Media Types	RR450SS	Designer Speckled Stones
	LGS58	Driftwood Log Set [installation requires both log sets]
	LGS59	
	N/A	See Media page for optional Fireglass and Firestone choices
Optional Fan Kit	DFK-3	Circulating Fan Kit - 3 fans with harness for DL units
Full Load Upgrade Kit-NG	RX300NG	30% Turn Down , Control Module and Remote Control
Full Load Upgrade Kit-LP	RX300LP	30% Turn Down , Control Module and Remote Control
Multicolor LED Light Kit	MCLEDDL63	Multicolor LED Light Kit w/Remote
Invisimesh Screen	SCRIDL63	Invisimesh screen
Cool Wall Advantage	HDKPD63	Cool Wall Advantage
	HDKPD63FK	Cool Wall Advantage Flex Kit
Conversion Kit	GCA008	Natural Gas to Propane Conversion Kit (DL)
	GCA009	Natural Gas to Propane Conversion Kit (D)

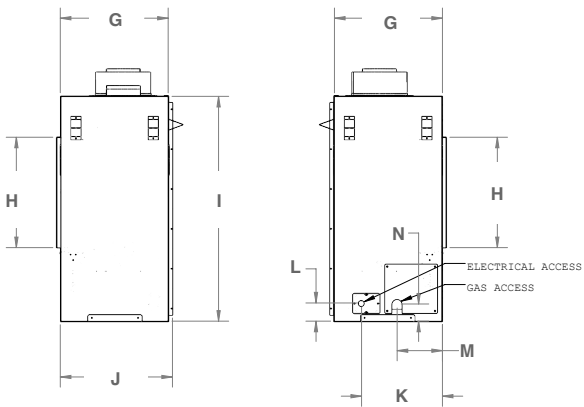
Distinction Series Dimensions

SINGLE SIDED

Top View



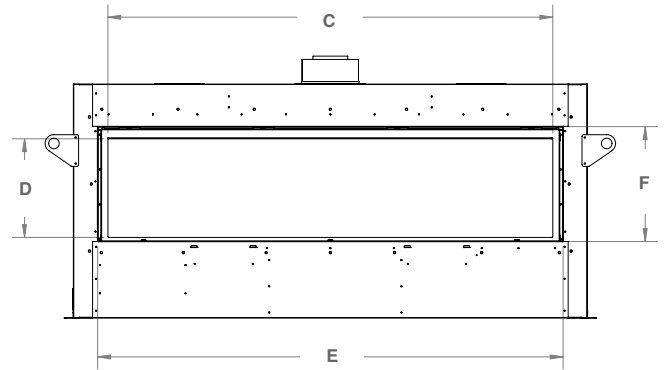
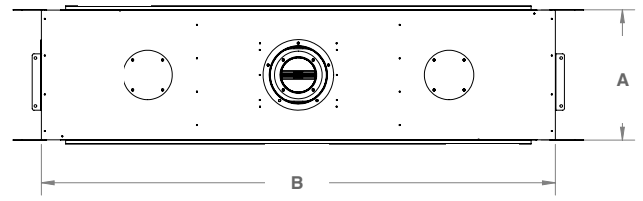
Front View



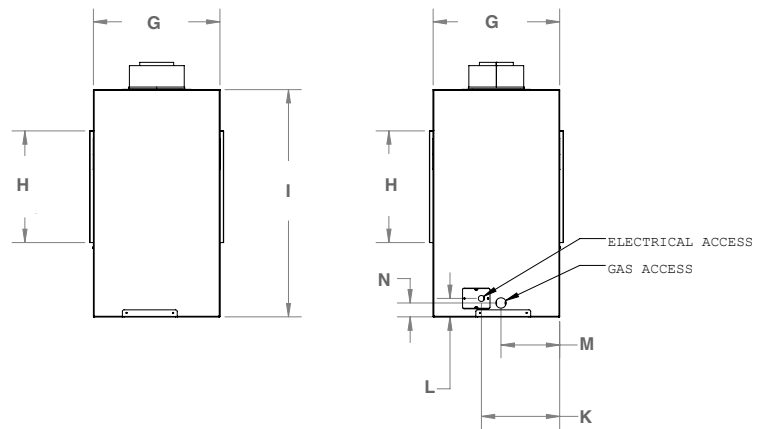
Side View

SEE-THRU

Top View



Front View



Side View

D6315 DL6315 SINGLE SIDED DIMENSIONS

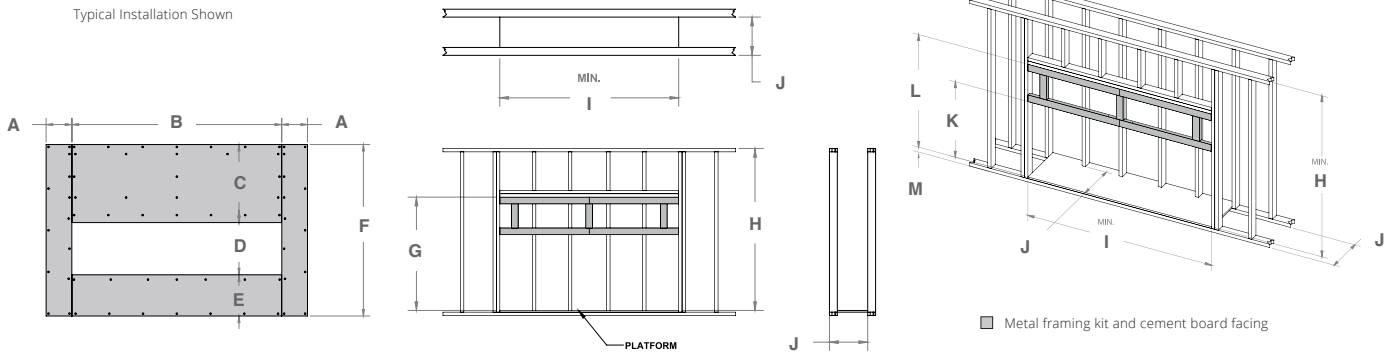
A	B	C	D	E	F	G	H	I	J	K	L	M	N
15 15/16"	72 7/8"	63 1/16"	14"	65 13/16"	16 1/8"	15 15/16"	16 5/16"	33 3/16"	16 9/16"	12"	2 11/16"	6 11/16"	2 1/2"
405	1851	1602	356	1672	410	405	414	843	420	304	68	170	64

D6315ST DL6315ST SEE-THROUGH DIMENSIONS

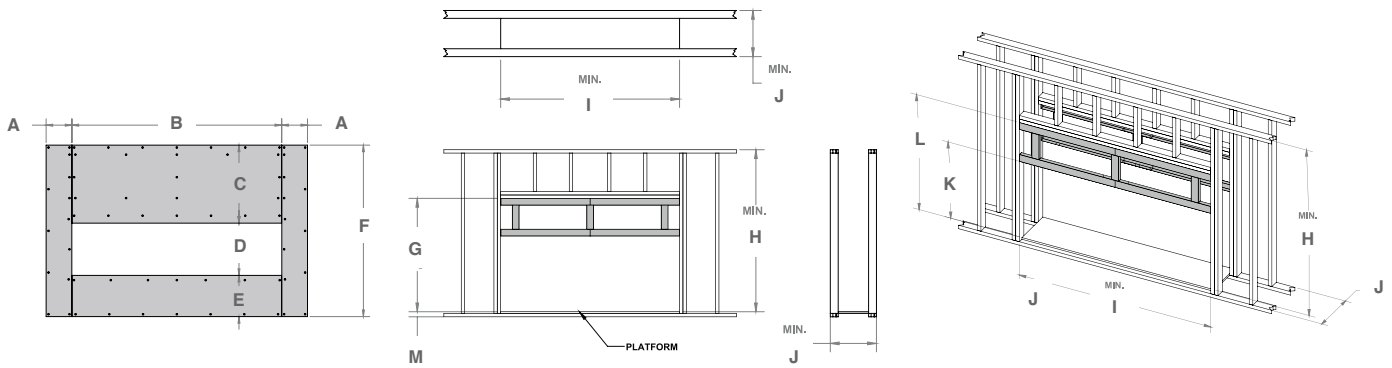
A	B	C	D	E	F	G	H	I	J	K	L	M	N
18 7/16"	72 7/8"	63 1/16"	14"	66"	16 5/16"	18 7/16"	15 5/16"	33 1/8"	N/A	11 7/16"	2 11/16"	8 9/16"	2 1/16"
469	1851	1602	356	1676	414	469	414	842	N/A	290	68	218	52

Distinction Series Framing Dimensions

Typical Installation Shown



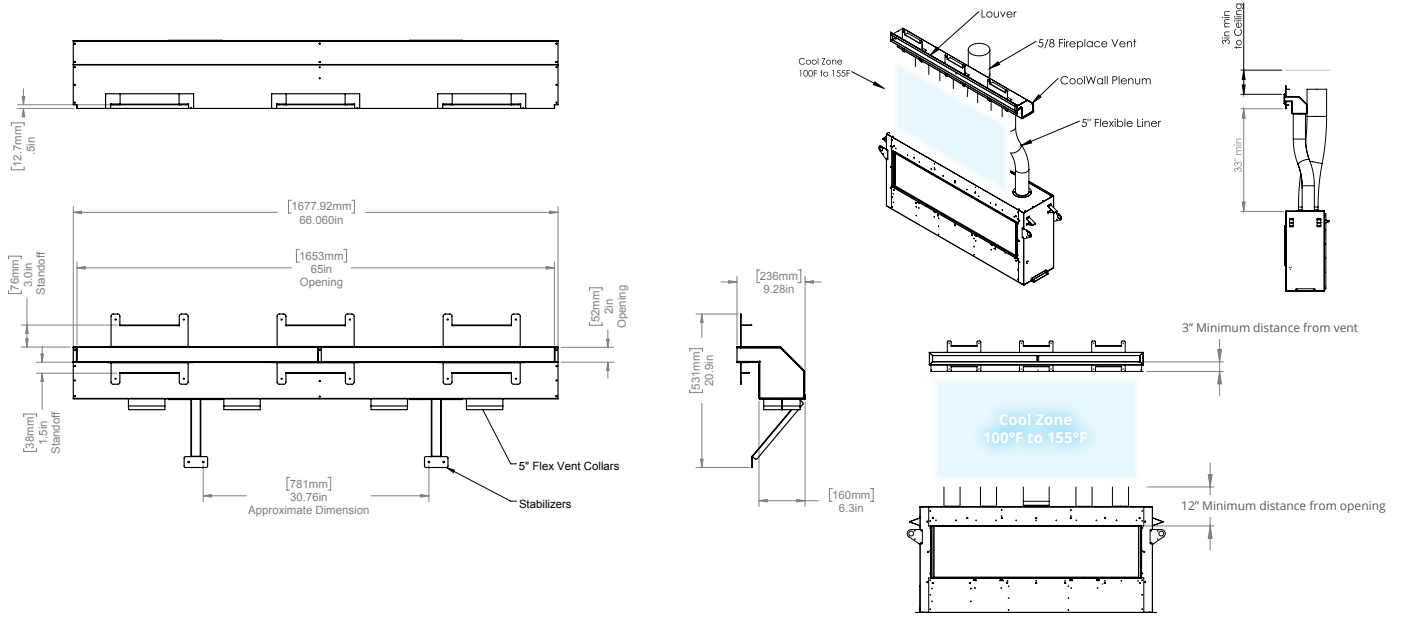
D6315 DL6315 SINGLE SIDED FRAMING DIMENSIONS												
A	B	C	D	E	F	G	H	I	J	K	L	M
8 1/8"	66 1/8"	24 5/8"	16 1/2"	13"	54 1/8"	50 3/8"	72"	79 1/2"	18"	33 11/16"	50 3/8"	2 1/4"
206	1680	625	419	330	1375	1279	1829	2019	432	855	1279	57



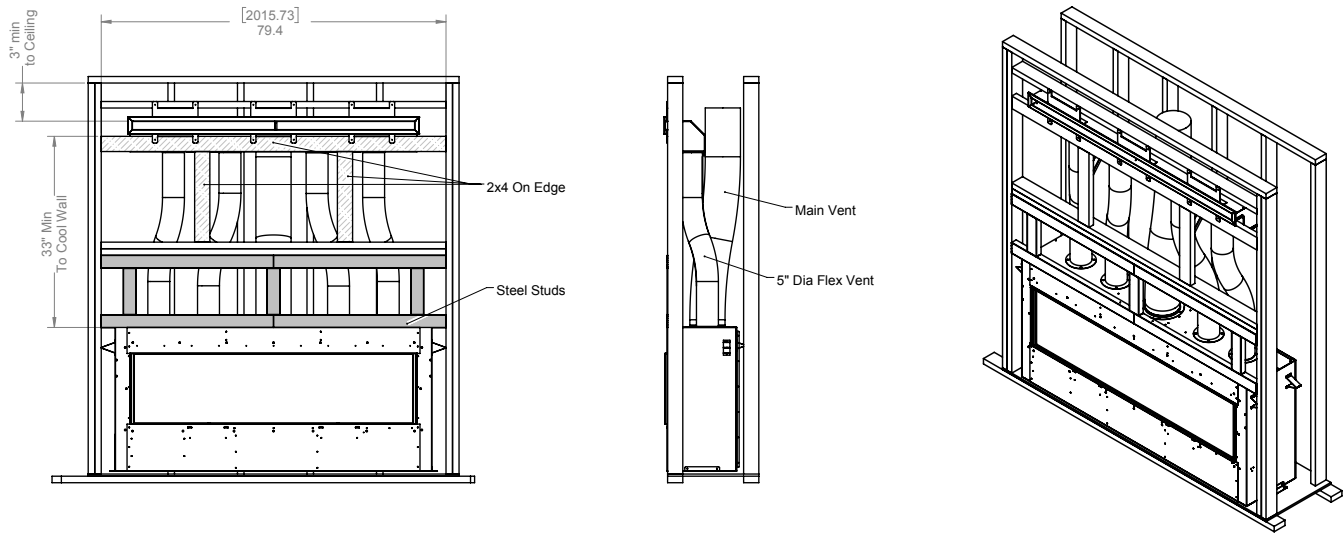
D6315ST DL6315ST SEE-THROUGH FRAMING DIMENSIONS												
A	B	C	D	E	F	G	H	I	J	K	L	M
8 1/8"	66 1/8"	24 5/8"	16 1/2"	13"	54 1/8"	50 3/8"	72"	79 1/2"	18 7/16"	33 11/16"	50 3/8"	2 1/4"
206	1680	625	419	330	1375	1279	1829	2019	468	855	1279	57

See through version includes two sets of non combustible framing and concrete board.

Cool Wall Advantage Dimensions



Cool Wall Advantage Framing Dimensions



Distinction Series



Distinction D6315ST NG Flame
(Shown with standard Star Ice Fireglass and LED Accent Lighting)

Consult the owner's manual for complete installation instructions, product dimensions and proper clearances to combustible surfaces prior to installing fireplace.
All specifications, framing dimensions, product designs, materials and colors are subject to change without notice. The actual flame pattern and color may vary slightly from the illustrations. Diagrams and illustrations are not to scale.
Options & accessories may have associated surcharge.

Available at: