

SPEC SHEET

Distinction

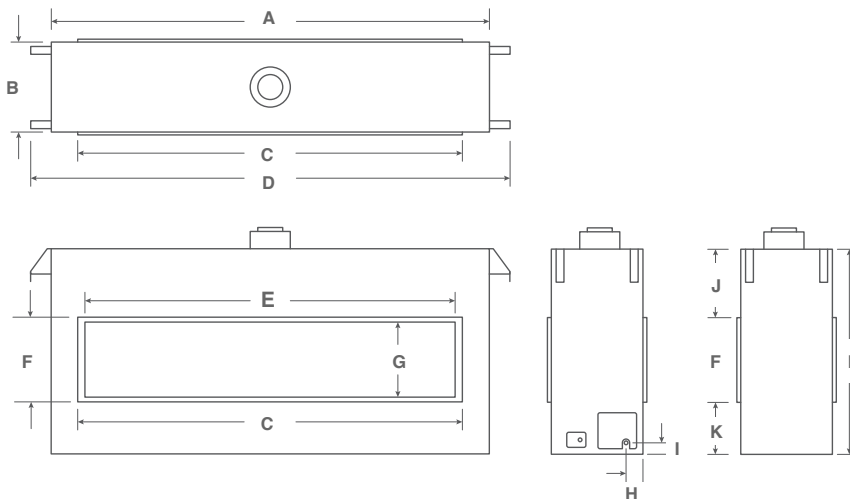
D7215ST

MONTIGO®

LINEAR GAS FIREPLACE

DIMENSIONS

| PART | ACTUAL | FRAMING |
|--------------|---|----------------------|
| FRONT WIDTH | 87 $\frac{7}{8}$ " | 95 $\frac{3}{4}$ " |
| BACK WIDTH | 87 $\frac{7}{8}$ " | 95 $\frac{3}{4}$ " |
| HEIGHT | 41" | 59 $\frac{3}{8}$ " |
| DEPTH | 17 $\frac{3}{4}$ " | 17 $\frac{11}{16}$ " |
| VIEWING AREA | 73 $\frac{3}{8}$ " X 15 $\frac{1}{2}$ " | N/A |



D7215 SEE THROUGH DIMENSIONS

| A | B | C | D | E | F | G | H | I | J | K | L |
|------------------|------------------|------------------|--------------------|------------------|----|------------------|-----------------|-----------------|------------------|------------------|----|
| 87 $\frac{7}{8}$ | 17 $\frac{3}{4}$ | 76 $\frac{3}{4}$ | 95 $\frac{11}{16}$ | 73 $\frac{3}{8}$ | 17 | 15 $\frac{1}{2}$ | 5 $\frac{1}{2}$ | 2 $\frac{3}{8}$ | 13 $\frac{3}{8}$ | 10 $\frac{3}{8}$ | 41 |



FEATURES

- 17 $\frac{11}{16}$ " Framing Depth
- Montigo 4TH generation 57,000 BTU/HR concealed linear burner
- Standard 5/8 direct vent pipe
- Powervent capable to meet any vent configuration up to 100 feet
- Field convertible to propane with optional conversion kit
- Heat distribution kits for secondary heating

TECHNICAL SPECIFICATIONS

D7215ST Comes standard with:

- Full load Proflame2 control system and full function remote control
- 57,000 BTU/HR NG or LP Montigo 4TH generation linear concealed burner
- 30% turn down gas valve with stepper motor
- Ceramic glass doors with flush safety screens
- Ceramic glass reflective liner kit
- Multicolor LED uplighting with remote control
- Star Ice fireglass media
- Cementboard facing

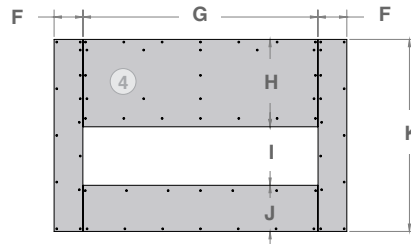
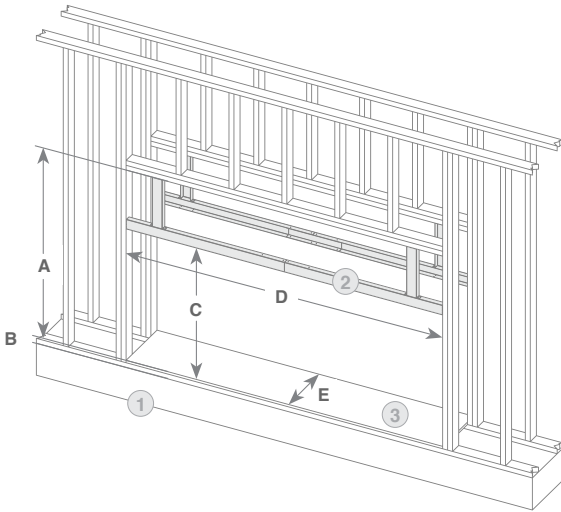
D7215ST Options:

- Cool Wall Advantage TV kit
- Cool Wall Advantage side discharge kit



LINEAR GAS FIREPLACE

FRAMING SPECIFICATIONS



| | |
|---|--------------------|
| 1 | Floor structure |
| 2 | Metal framing |
| 3 | Fireplace platform |
| 4 | Concrete board |

D7215 SEE THROUGH DIMENSIONS

| A | B | C | D | E | F | G | H | I | J | K |
|--------------------------------|-------------------------------|---------------------------------|--------------------------------|---------------------------------|--------------------------------|--------------------------------|---------------------------------|--------------------------------|---------------------------------|--------------------------------|
| 59 ³ / ₈ | 2 ¹ / ₄ | 41 ¹ / ₁₆ | 95 ³ / ₄ | 17 ¹ / ₁₆ | 10 ⁷ / ₈ | 76 ⁷ / ₈ | 33 ³ / ₁₆ | 17 ¹ / ₈ | 12 ² / ₁₆ | 63 ³ / ₈ |



SPECIFICATIONS

- Sides: 4"
- Back: N/A
- Top : 18³/₈"
- Floor: 0"
- Facing Material: Cement board (Supplied)

| Unit Code | BTU | | Efficiency | |
|-----------|--------|--------|------------|--------------|
| | High | Low | P.4. 1-02 | Steady state |
| D7215NI | 57,000 | 39,000 | > 63% | > 70% |
| D7215LI | 57,000 | 46,000 | > 63% | > 70% |

—  —

The perfect
combination of
performance
and design

—