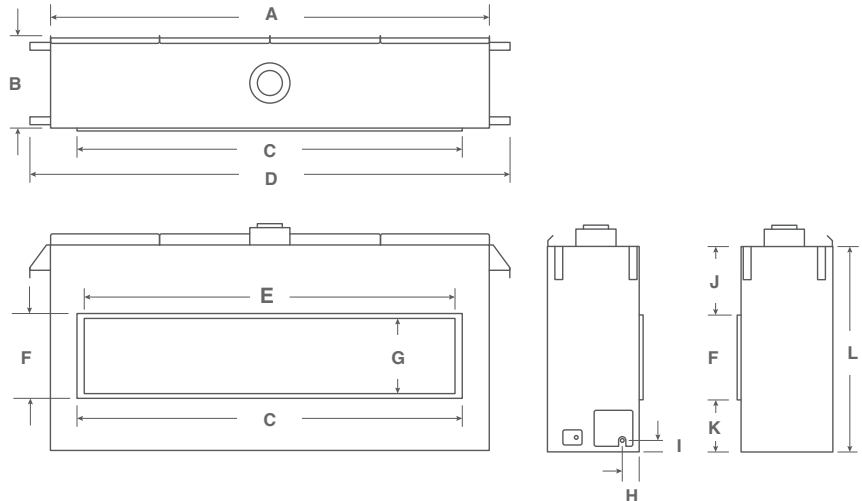


LINEAR GAS FIREPLACE

DIMENSIONS

PART	ACTUAL	FRAMING
FRONT WIDTH	87 $\frac{7}{8}$ "	95 $\frac{3}{4}$ "
BACK WIDTH	87 $\frac{7}{8}$ "	95 $\frac{3}{4}$ "
HEIGHT	43 $\frac{3}{8}$ "	41 $\frac{1}{16}$ "
DEPTH	18 $\frac{3}{8}$ "	18 $\frac{1}{2}$ "
VIEWING AREA	73 $\frac{7}{8}$ " X 15 $\frac{1}{2}$ "	N/A



D7215 SINGLE SIDED DIMENSIONS

A	B	C	D	E	F	G	H	I	J	K	L
87 $\frac{7}{8}$	18 $\frac{3}{8}$	76 $\frac{3}{4}$	95 $\frac{11}{16}$	73 $\frac{3}{8}$	17	15 $\frac{1}{2}$	5 $\frac{1}{2}$	2 $\frac{3}{8}$	13 $\frac{3}{8}$	10 $\frac{3}{8}$	41



FEATURES

- 18 $\frac{1}{2}$ " Framing Depth
- Montigo 4TH generation 57,000 BTU/HR concealed linear burner
- Standard 5/8 direct vent pipe
- Powervent capable to meet any vent configuration up to 100 feet
- Field convertible to propane with optional conversion kit
- Heat distribution kits for secondary heating

TECHNICAL SPECIFICATIONS

D7215 Comes standard with:

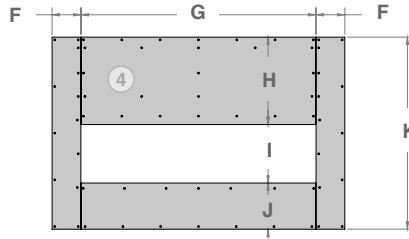
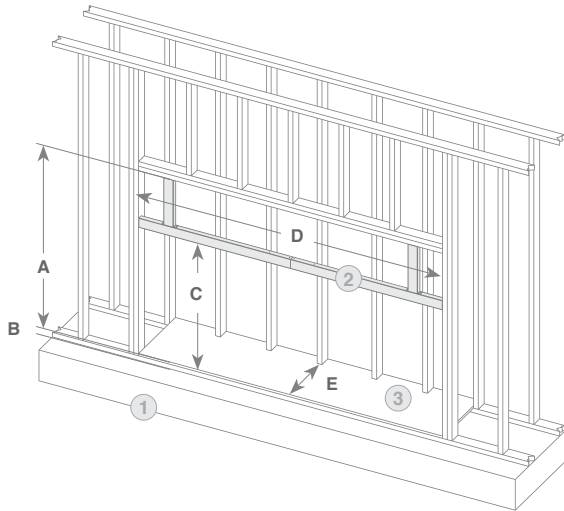
- Full load Proflame2 control system and full function remote control
- 57,000 BTU/HR NG or LP Montigo 4TH generation linear concealed burner
- 30% turn down gas valve with stepper motor
- Ceramic glass door with flush safety screen
- Quiet circulating fans with remote speed adjustment
- Ceramic glass reflective liner kit
- Multicolor LED uplighting with remote control
- Star Ice fireglass media
- Metal framing kit and cementboard facing

D7215 Options:

- Cool Wall Advantage TV kit
- Cool Wall Advantage side discharge kit

LINEAR GAS FIREPLACE

FRAMING SPECIFICATIONS



1	Floor structure
2	Metal framing
3	Fireplace platform
4	Concrete board

D7215 SINGLE SIDED DIMENSIONS

A	B	C	D	E	F	G	H	I	J	K
59 ³ / ₈	2 ¹ / ₄	41 ¹ / ₁₆	95 ³ / ₄	18 ¹ / ₂	10 ⁷ / ₈	76 ⁷ / ₈	33 ⁷ / ₁₆	17 ¹ / ₈	12 ² / ₁₆	63 ³ / ₈



SPECIFICATIONS

- Sides: 4"
- Back: 1/8"
- Top : 18 3/8"
- Floor: 0"
- Facing Material: Cement board (Supplied)

—  —

The perfect
combination of
performance
and design

—

Unit Code	BTU		Efficiency	
	High	Low	P.4. 1-02	Steady state
D7215NI	57,000	39,000	> 63%	> 70%
D7215LI	57,000	46,000	> 63%	> 70%