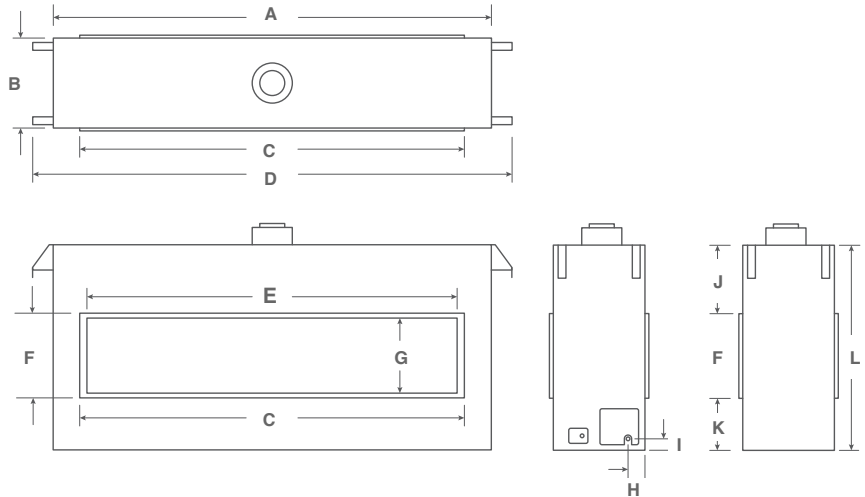


## LINEAR GAS FIREPLACE

## DIMENSIONS

PART	ACTUAL	FRAMING
FRONT WIDTH	63 $\frac{3}{8}$ "	71 $\frac{3}{4}$ "
BACK WIDTH	63 $\frac{3}{8}$ "	71 $\frac{3}{4}$ "
HEIGHT	40 $\frac{15}{16}$ "	49 $\frac{15}{16}$ "
DEPTH	17 $\frac{11}{16}$ "	17 $\frac{11}{16}$ "
VIEWING AREA	48" X 14 $\frac{7}{8}$ "	N/A



D4815 SEE THROUGH DIMENSIONS

A	B	C	D	E	F	G	H	I	J	K	L
63 $\frac{3}{8}$	17 $\frac{11}{16}$	52 $\frac{13}{16}$	71 $\frac{3}{4}$	49 $\frac{15}{16}$	17	15	5 $\frac{1}{2}$	2 $\frac{3}{8}$	13 $\frac{1}{16}$	10 $\frac{3}{8}$	40 $\frac{15}{16}$

## FEATURES

- 17  $\frac{11}{16}$ " Framing Depth
- Montigo 4<sup>TH</sup> generation 47,000 BTU/HR concealed linear burner
- Standard 5/8 direct vent pipe
- Powervent capable to meet any vent configuration up to 100 feet
- Field convertible to propane with optional conversion kit
- Heat distribution kits for secondary heating

## TECHNICAL SPECIFICATIONS

### D4815ST Comes standard with:

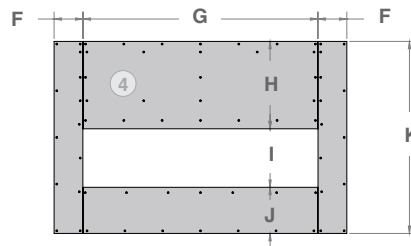
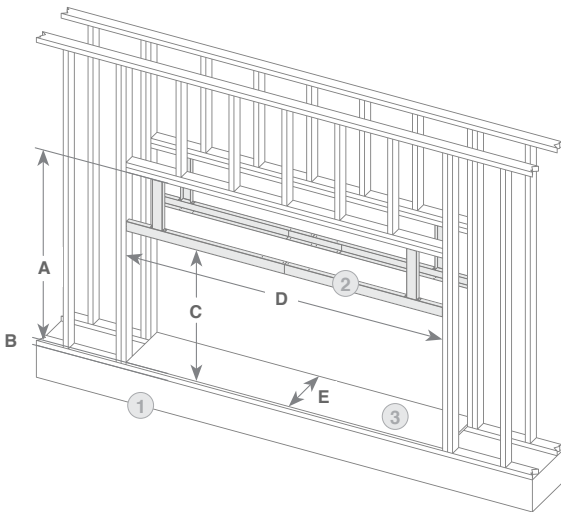
- Full load Proflame2 control system and full function remote control
- 47,000 BTU/HR NG or LP Montigo 4<sup>TH</sup> generation linear concealed burner
- 30% turn down gas valve with stepper motor
- Ceramic glass doors with flush safety screens
- Black glass reflective liner kit
- Multicolor LED uplighting with remote control
- Star Ice fireglass media
- Cementboard facing

### D4815ST Options:

- Cool Wall Advantage TV kit
- Cool Wall Advantage side discharge kit

**LINEAR GAS FIREPLACE**

**FRAMING SPECIFICATIONS**



1	Floor structure
2	Metal framing (not used)
3	Fireplace platform
4	Concrete board

D4815 SEE THROUGH DIMENSIONS

A	B	C	D	E	F	G	H	I	J	K
49 <sup>1</sup> / <sub>16</sub>	2 <sup>1</sup> / <sub>4</sub>	N/A	71 <sup>3</sup> / <sub>4</sub>	17 <sup>11</sup> / <sub>16</sub>	10 <sup>7</sup> / <sub>16</sub>	52 <sup>2</sup> / <sub>16</sub>	24	17 <sup>1</sup> / <sub>16</sub>	12 <sup>9</sup> / <sub>16</sub>	53 <sup>11</sup> / <sub>16</sub>



**CLEARANCE SPECIFICATIONS**

- Sides: 4"
- Back: N/A
- Top : 8 15/16"
- Floor: 0"
- Facing Material: Cement board (Supplied)



The perfect  
combination of  
performance  
and design