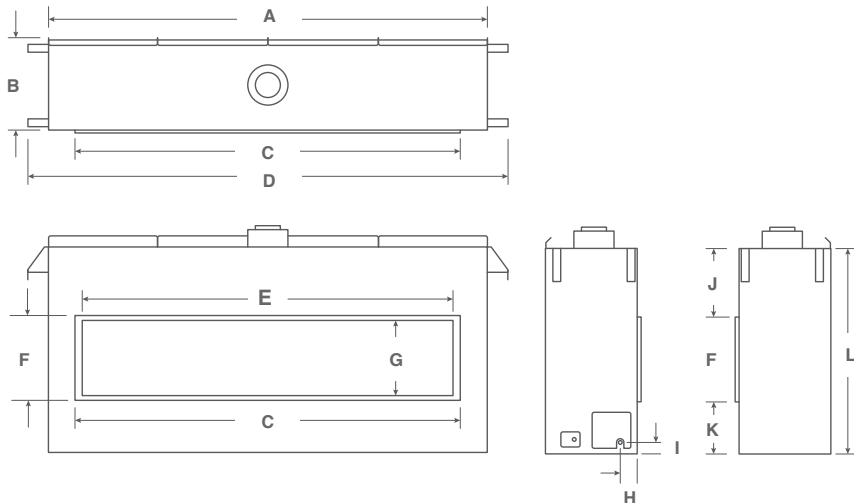


LINEAR GAS FIREPLACE

DIMENSIONS

PART	ACTUAL	FRAMING
FRONT WIDTH	63 $\frac{3}{8}$ "	71 $\frac{3}{4}$ "
BACK WIDTH	63 $\frac{3}{8}$ "	71 $\frac{3}{4}$ "
HEIGHT	41"	49 15/16"
DEPTH	17 $\frac{3}{8}$ "	17 $\frac{1}{2}$ "
VIEWING AREA	48" X 14 $\frac{7}{8}$ "	N/A



D4815 SINGLE SIDED DIMENSIONS

A	B	C	D	E	F	G	H	I	J	K	L
63 $\frac{3}{8}$	17 $\frac{3}{8}$	52 $\frac{13}{16}$	71 $\frac{3}{4}$	49 $\frac{9}{16}$	17	15	6 $\frac{1}{8}$	2 $\frac{3}{8}$	13 $\frac{1}{8}$	10 $\frac{3}{8}$	41

FEATURES

- 17 $\frac{1}{2}$ " Framing Depth
- Montigo 4TH generation 47,000 BTU/HR concealed linear burner
- Standard 5/8 direct vent pipe
- Powervent capable to meet any vent configuration up to 100 feet
- Field convertible to propane with optional conversion kit
- Heat distribution kits for secondary heating

TECHNICAL SPECIFICATIONS

D4815 Comes standard with:

- Full load Proflame2 control system and full function remote control
- 47,000 BTU/HR NG or LP Montigo 4TH generation linear concealed burner
- 30% turn down gas valve with stepper motor
- Ceramic glass door with flush safety screen
- Quiet circulating fans with remote speed adjustment
- Black glass reflective liner kit
- Multicolor LED uplighting with remote control
- Star Ice fireglass media
- Cementboard facing

D4815 Options:

- Cool Wall Advantage TV kit
- Cool Wall Advantage side discharge kit

SPEC SHEET

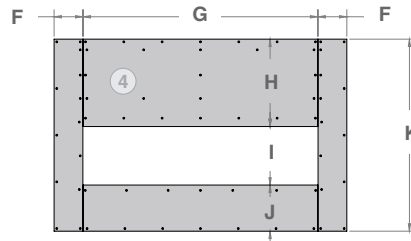
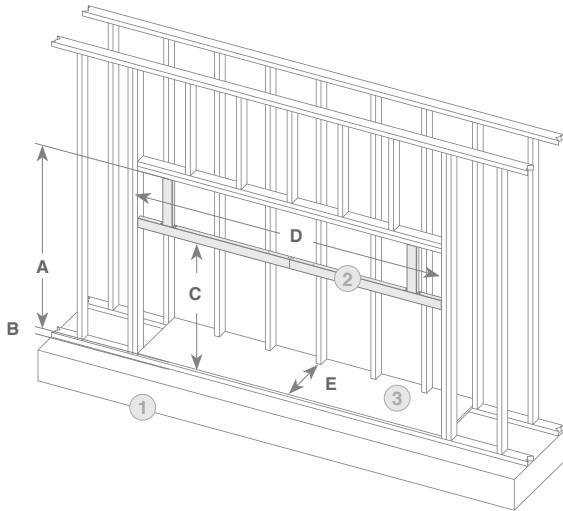
Distinction

D4815

MONTIGO®

LINEAR GAS FIREPLACE

FRAMING SPECIFICATIONS



1	Floor structure
2	Metal framing (not used)
3	Fireplace platform
4	Concrete board

D4815 SINGLE SIDED DIMENSIONS

A	B	C	D	E	F	G	H	I	J	K
49 ¹³ / ₁₆	2 ¹ / ₄	N/A	71 ³ / ₄	17 ¹ / ₂	10 ⁷ / ₈	52 ⁷ / ₈	24	17 ¹ / ₈	12 ³ / ₁₆	53 ¹³ / ₁₆



CLEARANCE SPECIFICATIONS

- Sides: 4"
- Back: 1/8"
- Top : 8 15/16"
- Floor: 0"
- Facing Material: Cement board (Supplied)



The perfect
combination of
performance
and design