



C Series - 4 Part Surround

50-3830 C34 4 PART SURROUND

50-3831 C44 4 PART SURROUND

50-3832 C60 4 PART SURROUND

50-3833 C72 4 PART SURROUND

PARTS LIST

TOP

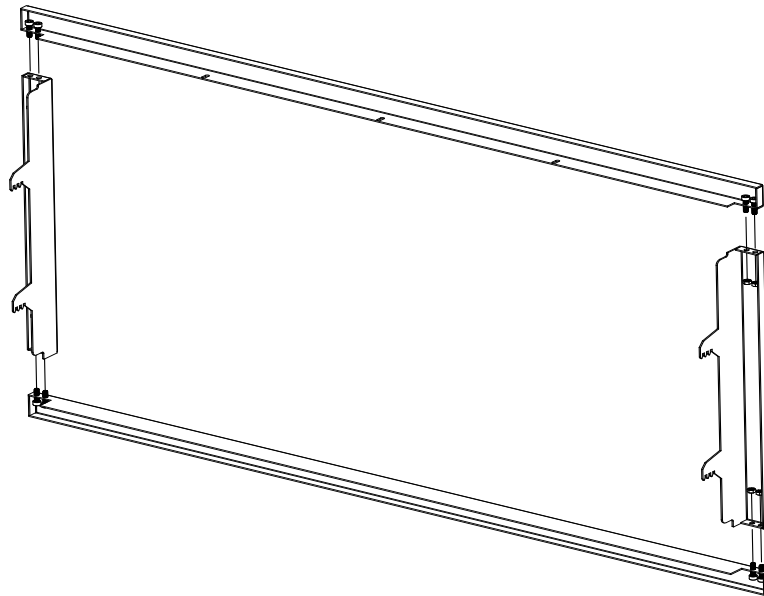
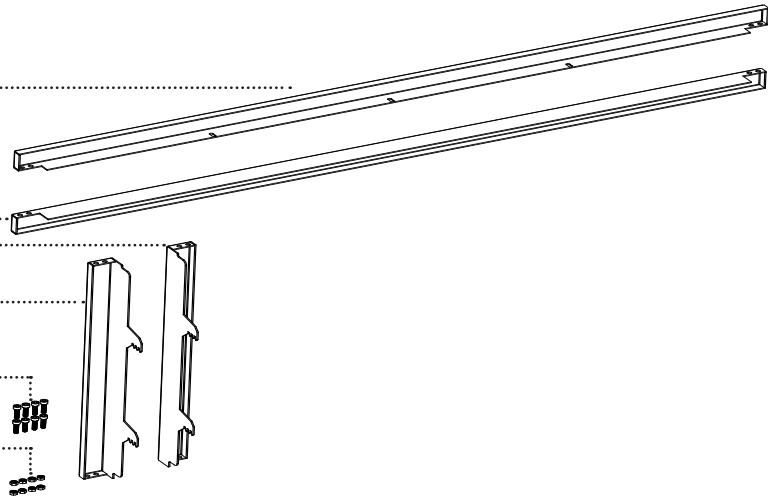
BOTTOM

LEFT

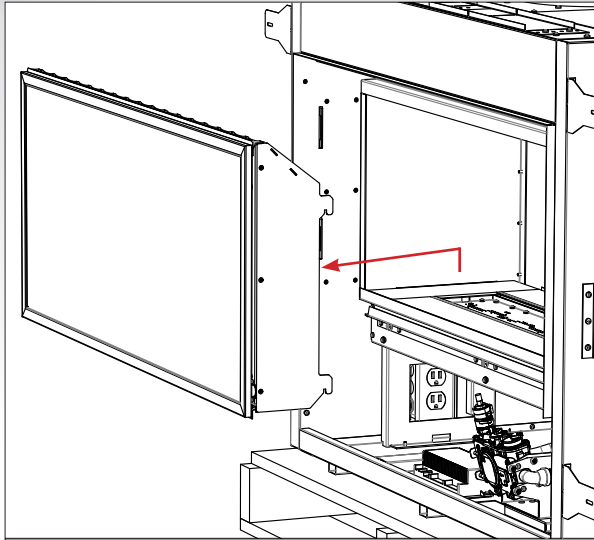
RIGHT

M5 CAP SCREW (QTY 8)

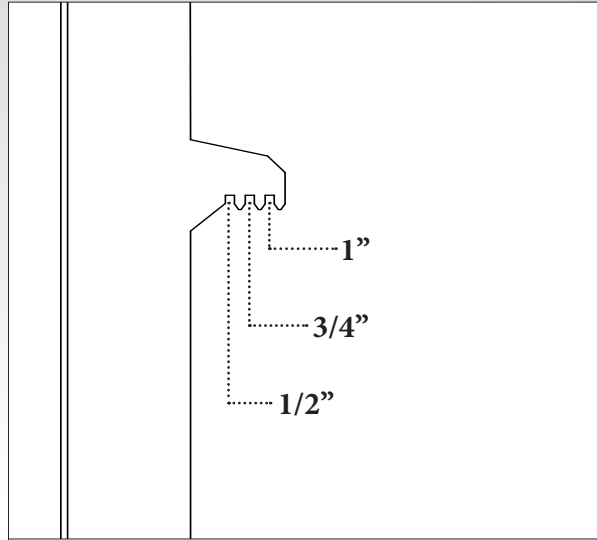
M5 NUT(QTY 8)



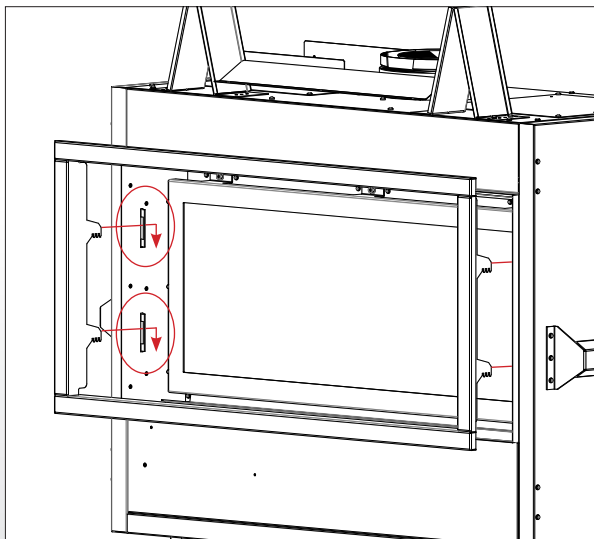
1) Using the M5 screw and nuts provided. Attach all four pieces as shown in the picture above, use a 4mm allen key to tighten the screws. Make sure the notches on the left and right pieces face downward and the top piece has the slots.



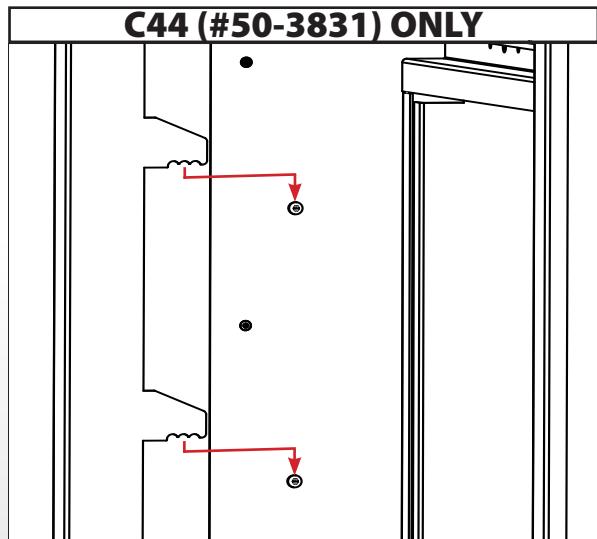
2) To aid in the installation of your surround remove the safety screen by lifting it up off the hooks and pulling the screen assembly out.



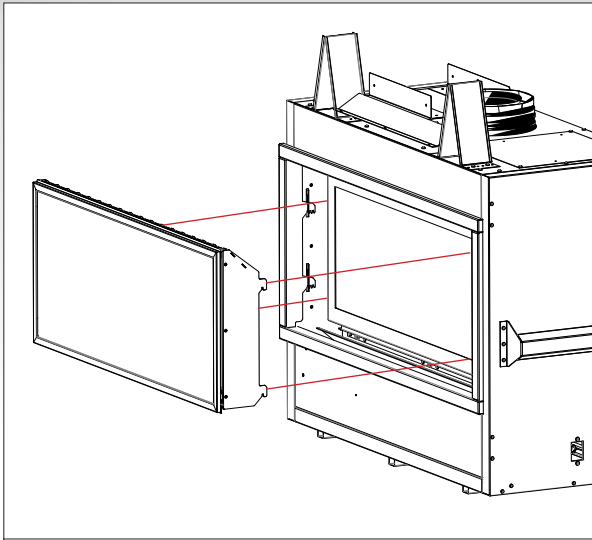
3) The surround can accommodate up to 1" of non combustible material.



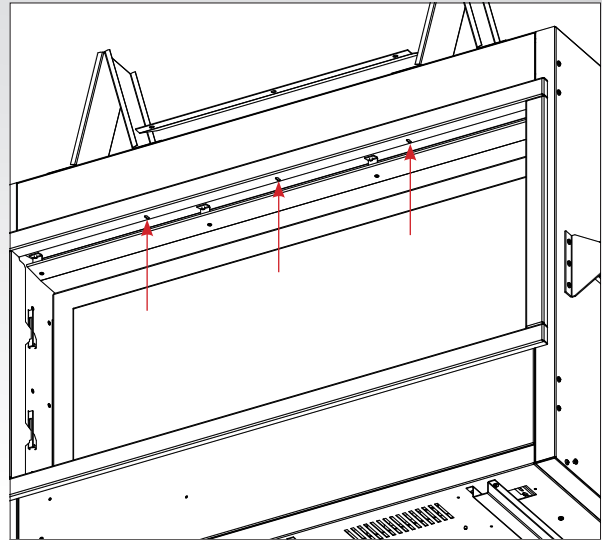
4) For C34, C60, and C72 models insert the notched tabs on the surround into the forward most slots in the stove (circled above).



Use the fasteners in the side of the cabinet to attach the surround.



5) Reinstall the safety screen by inserting the four tabs on the back of the screen into the four slots further back in the stove.



6) If surround starts to warp after usage, use self-tapping metal screws (not included) in the slots located on the underside of the top surround piece. (screen removal required, see steps 2 and 5)