



C72 FIREPLACE

Installation Reference Guide

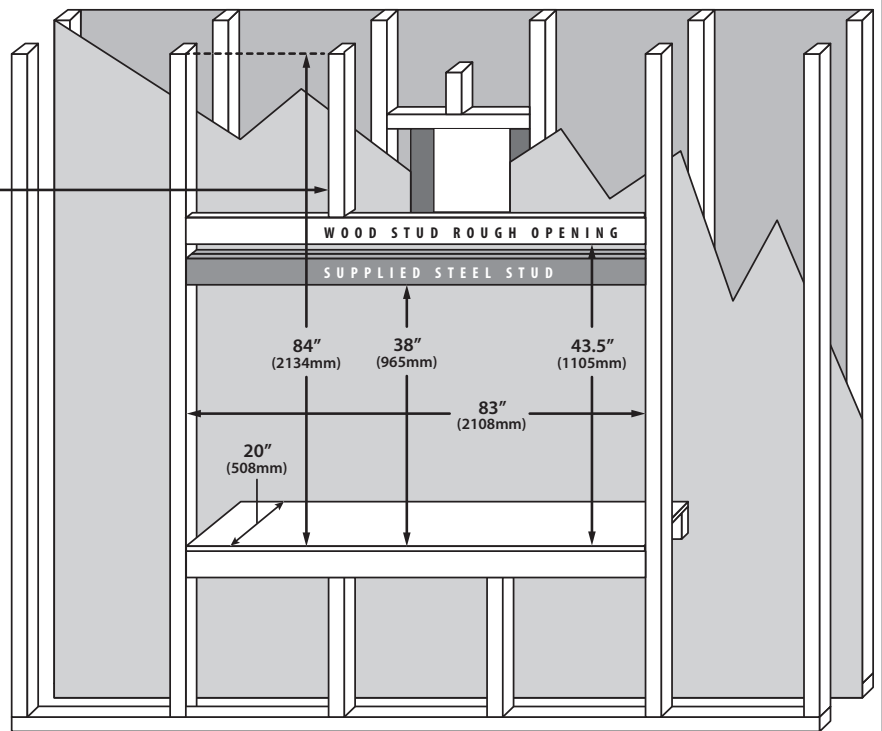
REFER TO OWNER'S MANUAL FOR SPECIFIC INSTALLATION REQUIREMENTS AND ADDITIONAL PRODUCT INSTRUCTIONS

Minimum Framing Dimensions

| | | |
|----------------------|-------|---------|
| Depth | 20" | 508 mm |
| Width | 83" | 2108 mm |
| Header Height | 38" | 965 mm |
| Rough Opening Height | 43.5" | 1105mm |
| Enclosure Ceiling | 84" | 2134 mm |

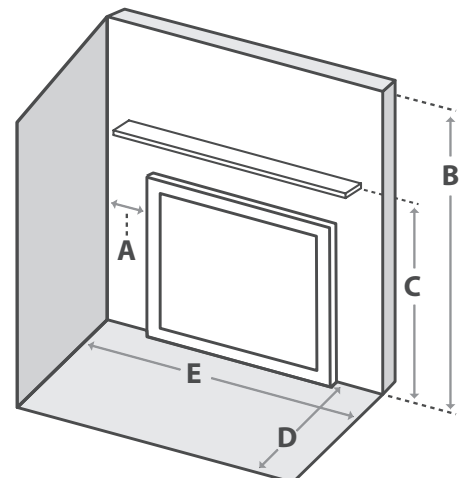
Note: Vent size = Co-axial 5 x 8"

1" (25mm)
Clearance from framing studs to venting

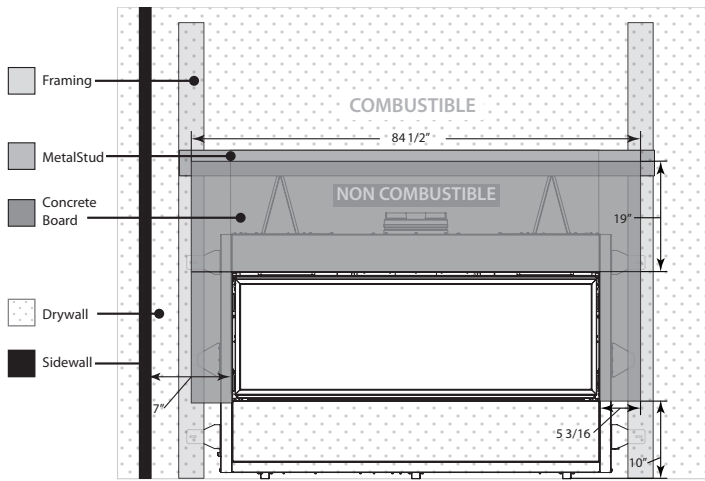


Clearance to Combustibles

| | | |
|---|-----------|-----------|
| A - Finishing edge to side wall | 7" | 229 mm |
| B - Minimum clearance to enclosure ceiling | 84" | 2134 mm |
| C - Minimum clearance to mantel height | See Chart | See Chart |
| D - Front of door to edge of floor protection | 0" | 0 mm |
| E - Minimum alcove width | 88" | 2235 mm |

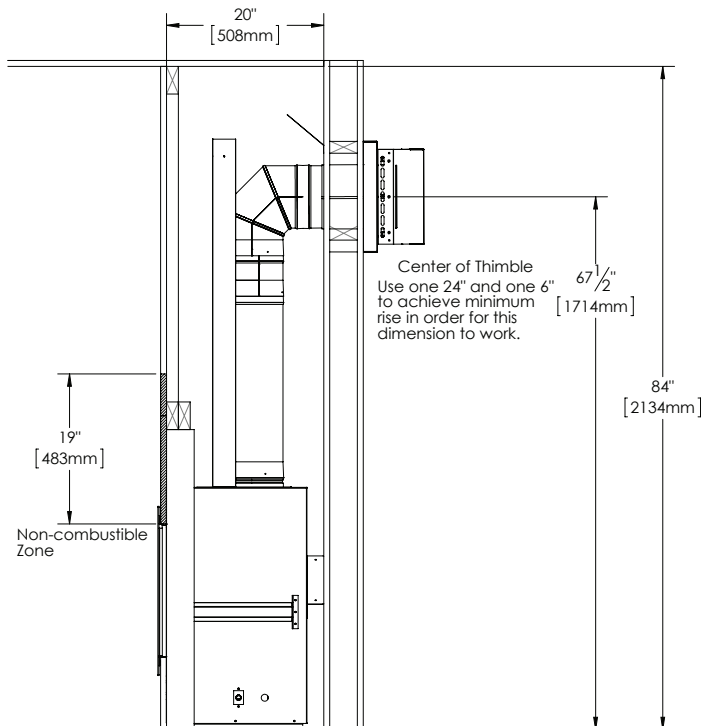


Non-Combustible Board Placement

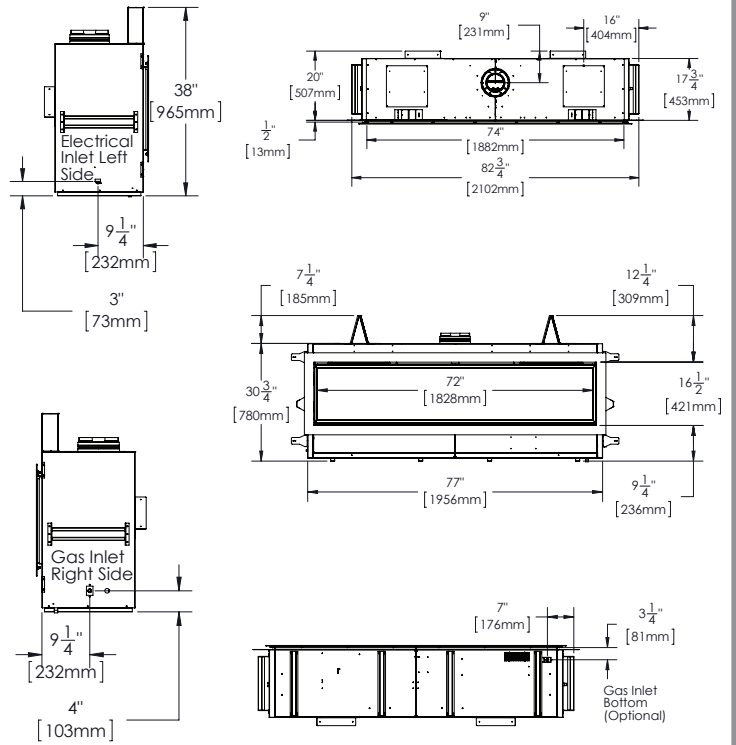


Minimum Venting Requirements

Minimum permitted venting is shown below. The framing height to the center of the thimble is 67.5". Minimum venting must include a 24" & 6" vertical section and a 90 degree elbow which is then terminated horizontally. For a vertical termination please follow the vent pipe manufacturer's installation instructions for vertical vent termination framing. A minimum of 1 in. (25 mm) clearance on all sides of the vertical vent pipe must be maintained. For every 12" of horizontal run there must be a 1/4" of rise. 1" of clearance between framing and venting must be maintained at all times. 2" above the venting and 3" above an elbow.

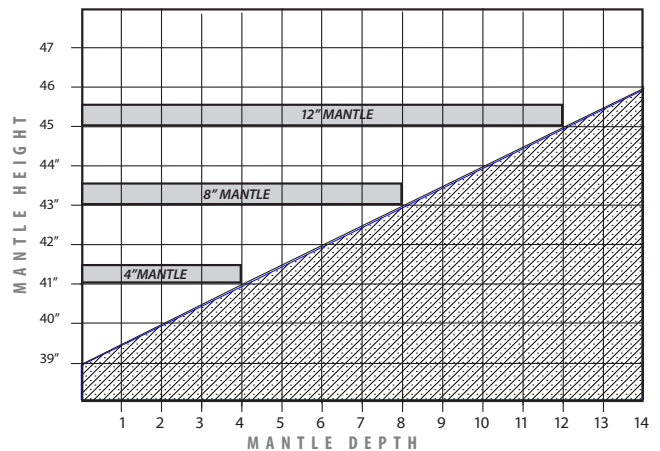


Fireplace Dimensions



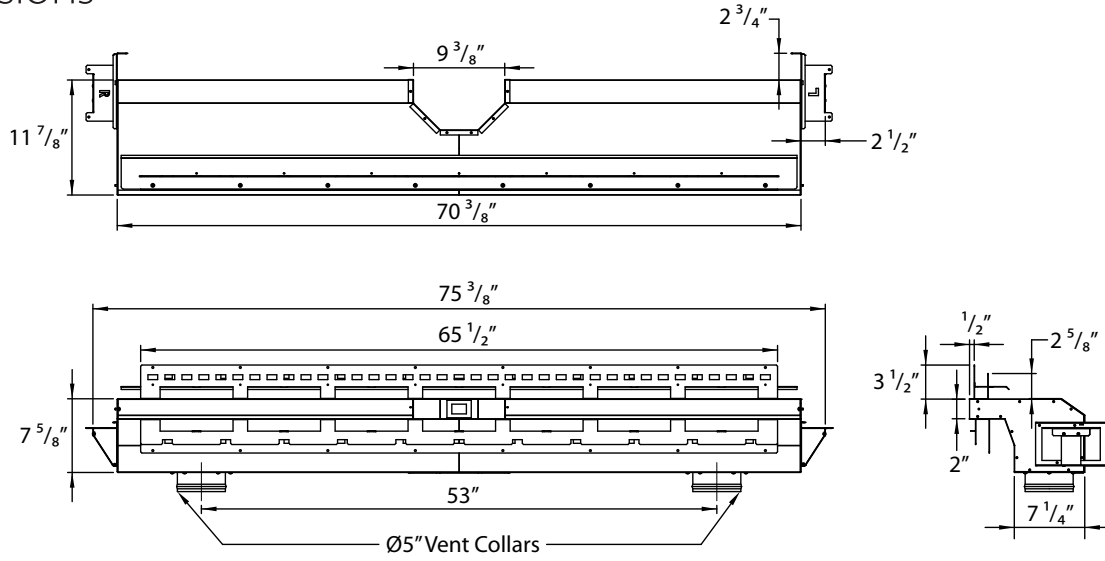
Mantel Projections

Mantel graph dimensions are measured from the bottom of the fireplace, if you wish to reference the mantel height from the tiling edge subtract 15 inches (381mm) from the mantel height depicted on the graph. If you plan to install a TV above your fireplace refer to the appropriate section of the owner's manual for available options. It is acceptable to install a combustible mantel over top of the non-combustible board. If you are activating the Cool Surface System you are eligible to subtract 12" (305mm) from the mantel height shown in this diagram. See page 6 for more details.

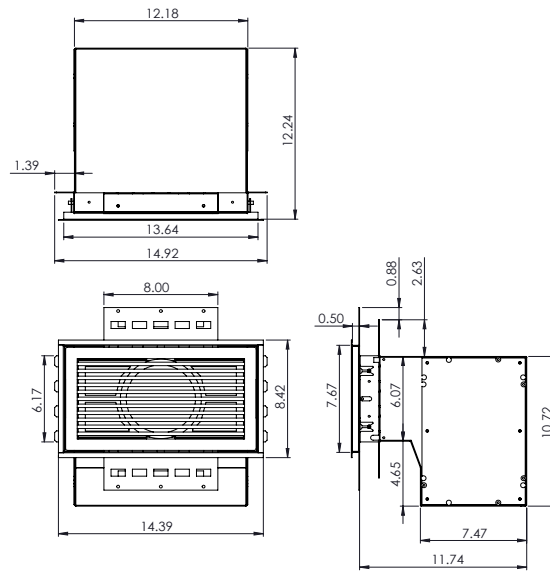


OPTIONAL STEP Cool Surface System Part 1

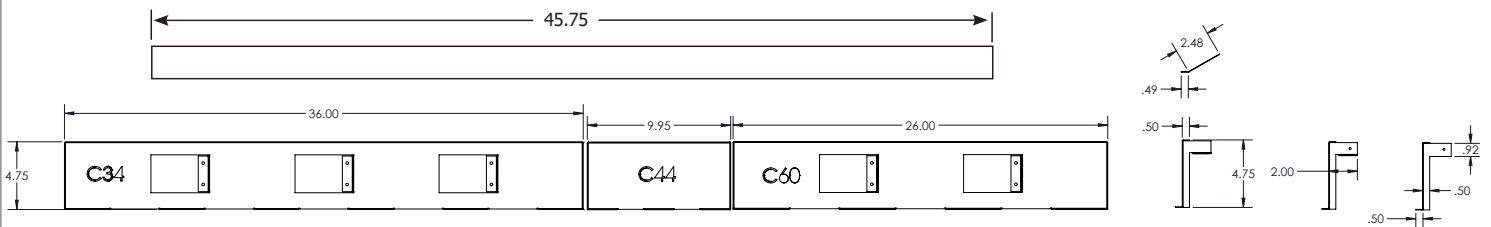
Dimensions



C72 CSS Front Vent - Overall Dimensions



CSS Side Vent - Dimensions

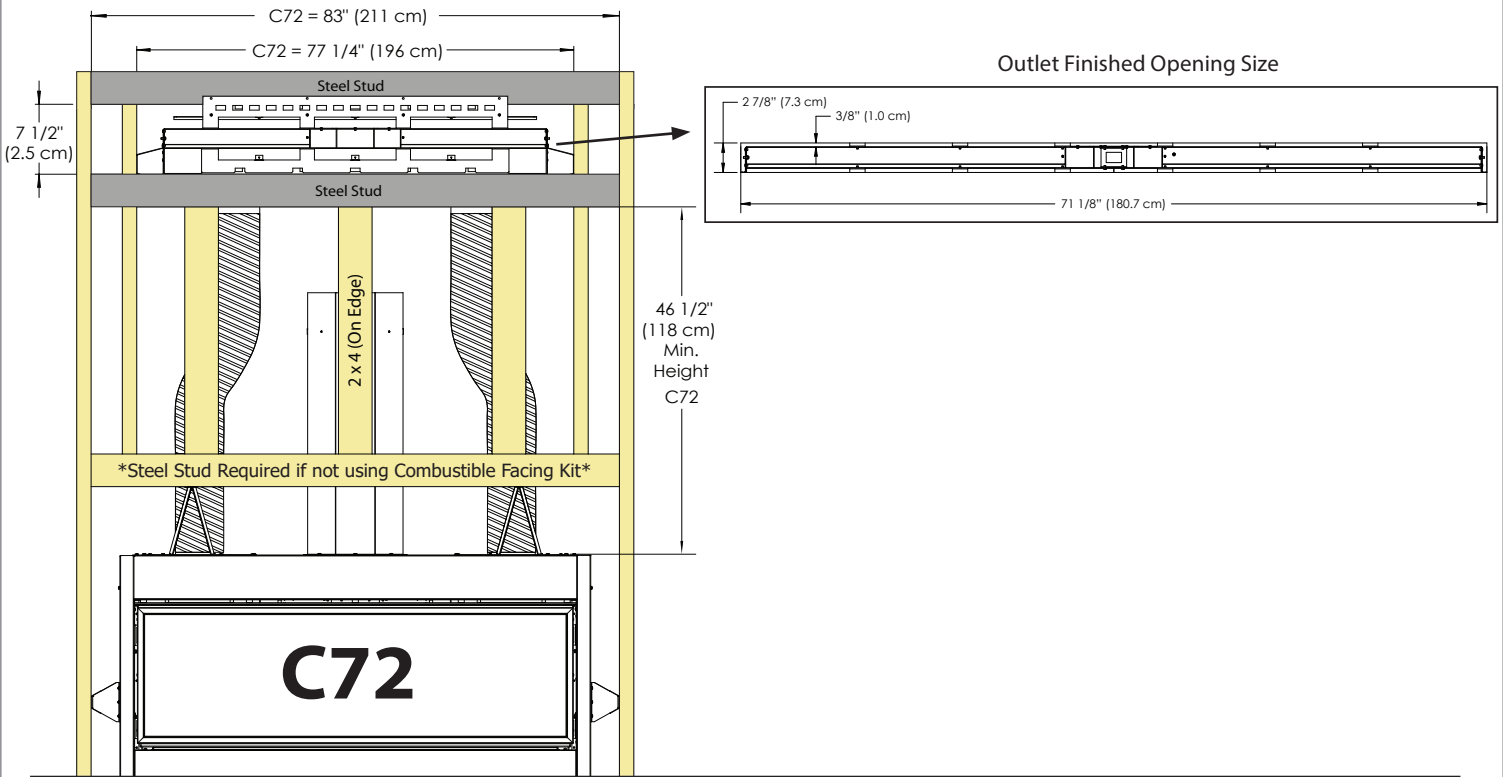


C72 CSS Combustible Facing Kit Dimensions

OPTIONAL STEP Cool Surface System Part 2

Framing & Rough Opening – Front Vent

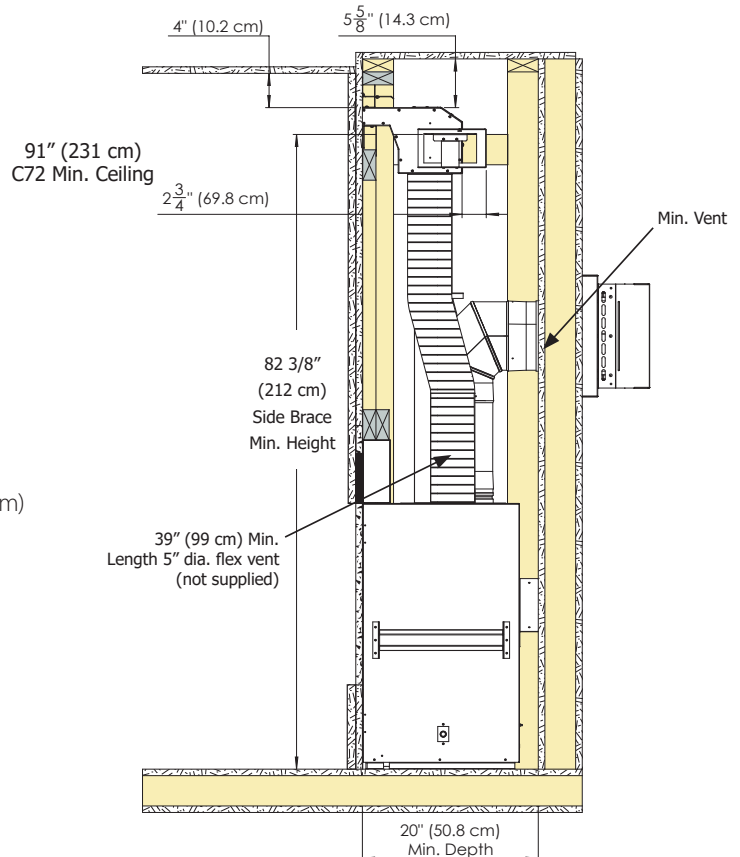
CSS Outlet Min. Top and Bottom standoff = $2\frac{5}{8}$ " (6.7 cm) *All C Series*



Venting Clearances - Front Vent

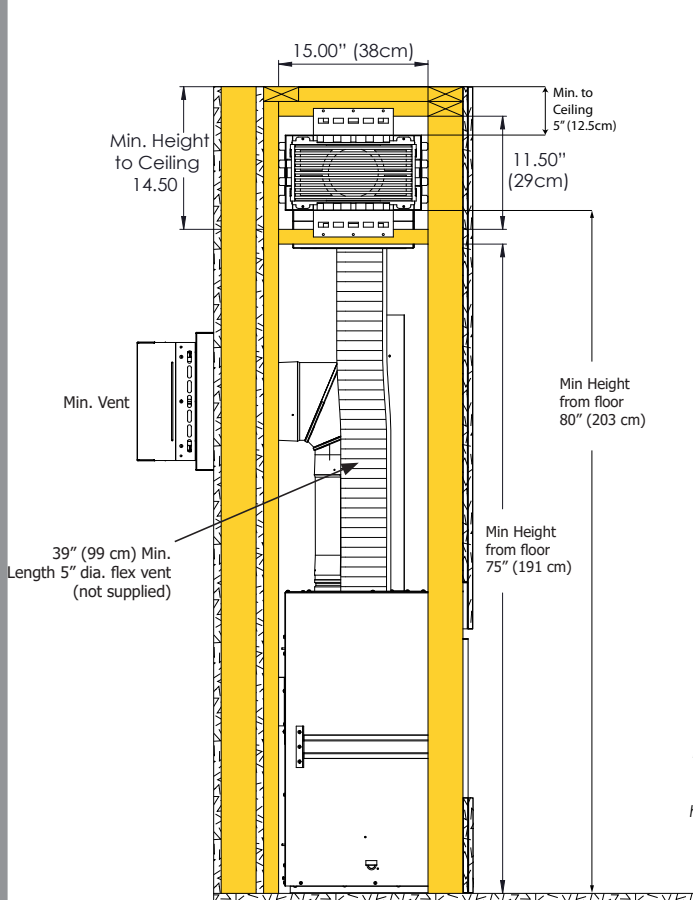
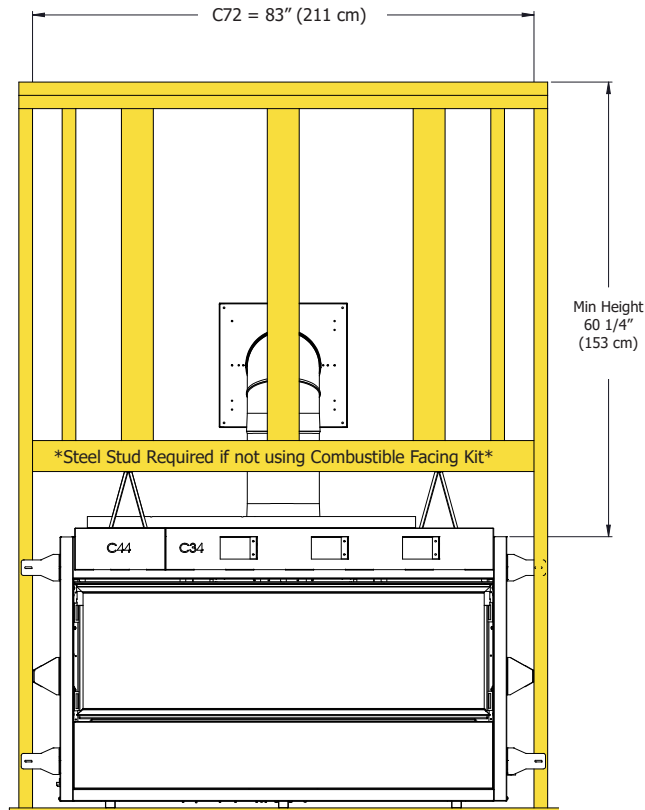
Shown here are the minimum framing and clearances for the CSS when the fireplace is installed with the minimum allowable vent length:

- Min. Ceiling Clearance from top of CSS outlet = 4" (10.2 cm)
- Min. Ceiling Clearance in wall from top of CSS Body = $5\frac{5}{8}$ " (14.3 cm)
- CSS Body Min. Rear standoff = $2\frac{3}{4}$ " (69.8 cm)

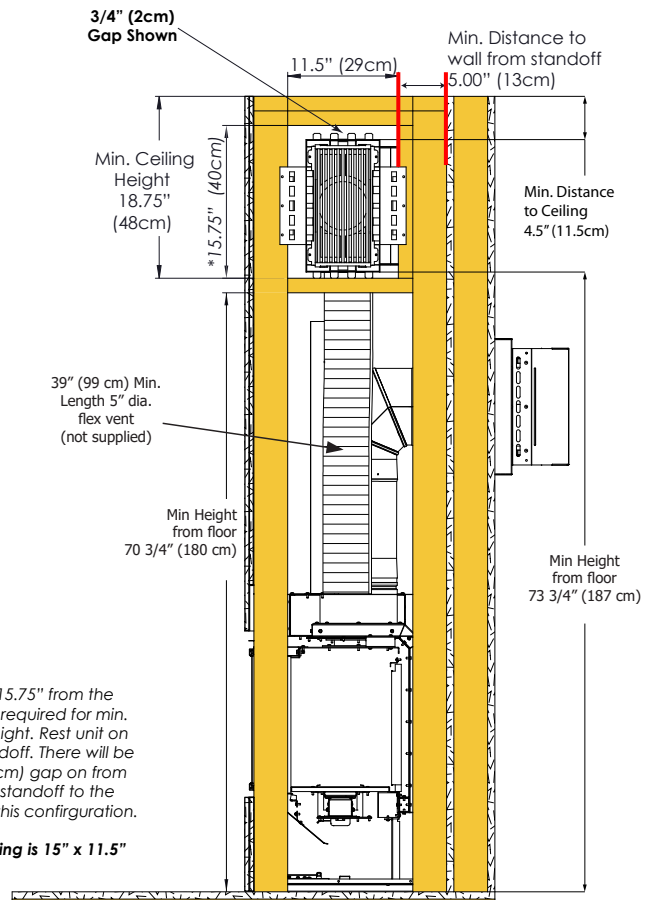


OPTIONAL STEP Cool Surface System Part 3

Framing & Clearances – CSS Side Vent



CSS Side Vent (Horizontal Install) - Min. Framing & Clearances



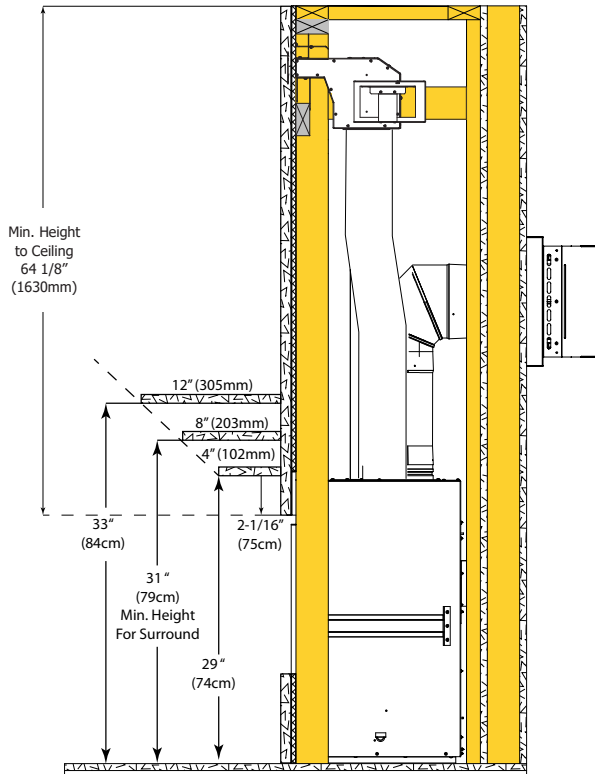
***NOTE:** 15.75" from the header is required for min. ceiling height. Rest unit on lower standoff. There will be a 3/4" (2cm) gap on from the top standoff to the header in this configuration.

Min Framing is 15" x 11.5"

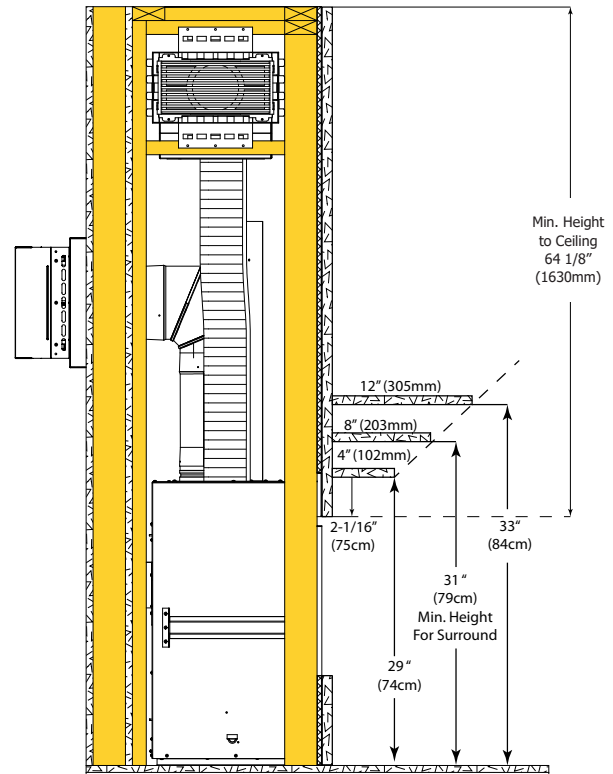
CSS Side Vent (Vertical Install) - Min. Framing & Clearances

OPTIONAL STEP Cool Surface System Part 4

Framing & Revised Mantle Clearances - Front Vent



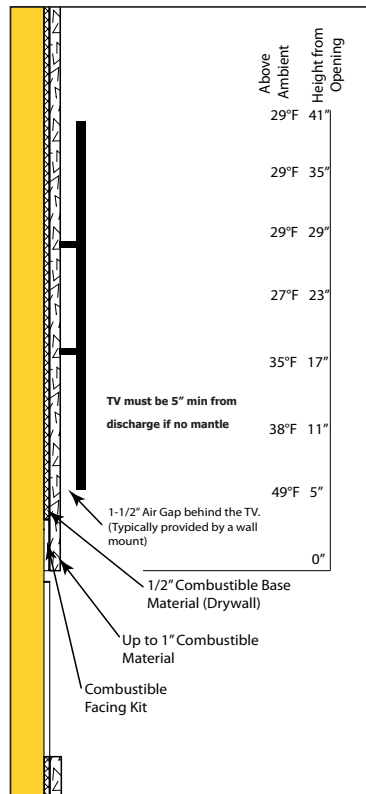
Framing & Revised Mantle Clearances - Side Vent



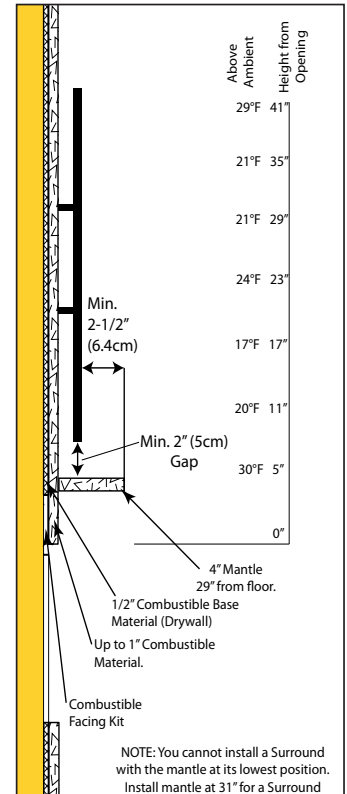
TV Installation Considerations:

If you are planning to mount a TV above your fireplace some considerations must be made to ensure it is protected from the heat.

During testing temperatures did not exceed 121°F (49°C) midway up the front wall (see figures on right). There is no guarantee that these temperatures will not harm the longevity of your TV. Make sure to consult your TV manufacturer's specifications to find the maximum allowable operating temperature. Since every home and installation is unique, temperatures should be verified at the time of install if possible. If desired, front wall temperatures can be lowered to 104°F (40°C) with the use of a mantle (see CSS TV clearances with Mantle figure). See revised mantle clearances chart above. A TV should not be installed if temperatures exceed the manufacturers maximum allowable temperature.



CSS - TV Clearances



CSS - TV Clearances with Mantle

NOTE: You cannot install a Surround with the mantle at its lowest position. Install mantle at 31" for a Surround