



Linger longer with Barbara Jean

Outdoor Fire Collection

Unit illustrated is a OLT48BB Black Body with Brown End Doors, OLT48TWB Table Top Wide (Black with Brown Trims), OB48MAP Linear Burner (Manual/Propane), MQG5C Glass Media (Bronze x4), MQRBD3 Drift Wood (5 pc set), MQSTONE10 Decorative Stones (10 pc set), OB48WG Wind Guard.

Wouldn't it be great if summer lasted forever?

Now you can enjoy more outdoor living at your home or cottage with the new outdoor fire collection from Barbara Jean.

The Barbara Jean collection features an array of customizable burners, fire stands, tables and fireplaces that allow you to create an enticing ambiance for cocktail hour and al fresco dining on your patio or deck.

Special times just got a whole lot warmer with the beauty of the new Barbara Jean Collection. Come see it today!



A

B

C

A
Unit illustrated is a OLT48BB Black Body with Brown End Doors, OLT48TWB Table Top Wide (Black with Brown Trims), OB48MAP Linear Burner (Manual/Propane), MQG5C Glass Media (Bronze x4), MQRBD3 Drift Wood (5 pc set), MQSTONE10 Decorative Stones (10 pc set), OB48WG Wind Guard.

B
Unit illustrated is a OFS48MAP Fire Stand with Linear Burner (Manual/Propane), MQG5C Glass Media (Bronze x4), OB48WG Wind Guard.

C
Unit illustrated is a OFP7972S2N Outdoor Linear Fireplace (See Through – Natural Gas/Millivolt), MQG5C Glass Media (Bronze x6).

Fire Tables

Imagine family and friends gathered around a mesmerizing ribbon of fire on the Barbara Jean Fire Table. Available in three sizes and two colour options, you can create your own designer look with your choice of ember glass, driftwood logs, decorative stones and rocks.



A

Unit illustrated is a OLT48BB Black Body with Brown End Doors, OLT48TWB Table Top Wide (Black with Brown Trims), OB48MAP Linear Burner (Manual/Propane), MQG5C Glass Media (Bronze x4), MQRBD3 Drift Wood (5 pc set), MQSTONE10 Decorative Stones (10 pc set), OB48WG Wind Guard.

B / C

Unit illustrated is a OLT48BB Black Body with Brown End Doors, OLT48TWB Table Top Wide (Black with Brown Trims), OB48MAP Linear Burner (Manual/Propane), MQG5C Glass Media (Bronze x4), OB48WG Wind Guard.

Fire Tables

A



Unit illustrated is a OLT48BB Black Body with Brown End Doors, OLT48TWB Table Top Wide (Black with Brown Trims), OB48MAP Linear Burner (Manual/Propane), MQG5C Glass Media (Bronze x4), MQRBD3 Drift Wood (5 pc set), MQSTONE10 Decorative Stones (10 pc set), OB48WG Wind Guard.

Follow this 4 step process to complete your Outdoor Linear Fire Table:
Choose your Table Body, Table Top Size, Burner, and Glass Media

1. Table Body

24"

- OLT24BG**
Black w/ Grey end doors
- OLT24BB**
Black w/ Brown end doors
(use 24" burner)

36"

- OLT36BG**
Black w/ Grey end doors
- OLT36BB**
Black w/ Brown end doors
(use 36" burner)

48"

- OLT48BG**
Black w/ Grey end doors
- OLT48BB**
Black w/ Brown end doors
(use 48" burner)

2. Table Top

24" Narrow

- OLT24TNG**
Black w/ Grey trim
- OLT24TNB**
Black w/ Brown trim
- Dimensions (A) x (B)**
39 1/8"L x 20 1/16"W

36" Narrow

- OLT36TNG**
Black w/ Grey trim
- OLT36TNB**
Black w/ Brown trim
- Dimensions (A) x (B)**
51 1/8"L x 20 1/16"W

48" Narrow

- OLT48TNG**
Black w/ Grey trim
- OLT48TNB**
Black w/ Brown trim
- Dimensions (A) x (B)**
63 1/8"L x 20 1/16"W

24" Wide

- OLT24TWG**
Black w/ Grey trim
- OLT24TWB**
Black w/ Brown trim
- Dimensions (A) x (B)**
42 13/16"L x 28 5/16"W

36" Wide

- OLT36TWG**
Black w/ Grey trim
- OLT36TWB**
Black w/ Brown trim
- Dimensions (A) x (B)**
54 13/16"L x 28 5/16"W

48" Wide

- OLT48TWG**
Black w/ Grey trim
- OLT48TWB**
Black w/ Brown trim
- Dimensions (A) x (B)**
66 13/16"L x 28 5/16"W

3. Linear Burners

Manual Valve Systems are shipped as Propane, NG conversion orifice is included with burner.

24"

- OB24MAP**
Linear Burner 24"
Manual Valve
Propane
40,000 BTU
- OB24MVN**
Linear Burner 24"
Millivolt Valve
Natural Gas
40,000 BTU
- 24OB-CKLP**
Conversion Kit
to Propane Millivolt

36"

- OB36MAP**
Linear Burner 36"
Manual Valve
Propane
60,000 BTU
- OB36MVN**
Linear Burner 36"
Millivolt Valve
Natural Gas
60,000 BTU
- 36OB-CKLP**
Conversion Kit
to Propane Millivolt

48"

- OB48MAP**
Linear Burner 48"
Manual Valve
Propane
60,000 BTU
- OB48MVN**
Linear Burner 48"
Millivolt Valve
Natural Gas
80,000 BTU
- 48OB-CKLP**
Conversion Kit
to Propane Millivolt

4. Glass Media

5 lbs per foot of burner (ie: 24" burner = 10 lbs)



MQG5A
1/2" Cobalt Blue
5 lbs



MQG5W
1/2" White
5 lbs



MQG5C
1/2" Bronze
5 lbs



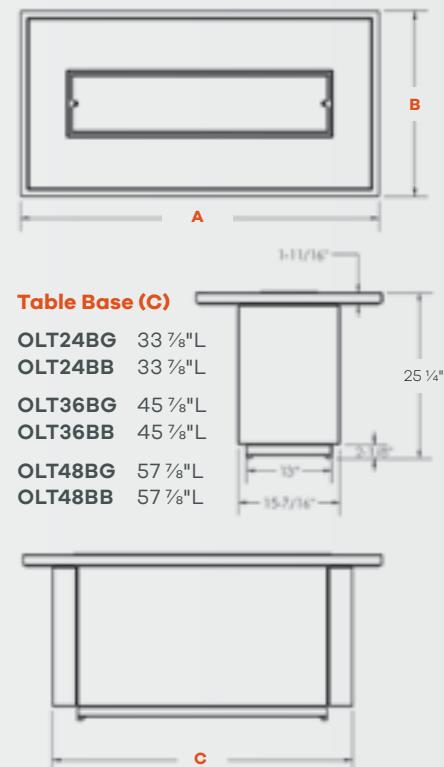
MQG5B
1/2" Black
5 lbs



MQG5ZG
Zircon Glacier Ice
5 lbs

Guide for building your Outdoor Linear Fire Table:

When selecting your **Table Body** size in step 1, make sure you select the matching **Table Top** and **Burner** size options in steps 2 and 3.



Burners

Completely flexible, the Barbara Jean Burner is the perfect project for do-it-yourselfers. Five sizes available (24, 36, 48, 72, 96") and for longer lengths simply link them together to create your own custom size!

Plus, a variety of beautiful log, decorative stone and rock options ensure you create the look you want. When you have achieved your desired look, invite family and friends to gather around for a perfect get together outdoors.



A

A

Unit illustrated is a OB48MAP Linear Burner (Manual/Propane), MQG5C Glass Media (Bronze x4), MQSTONE10 Decorative Stones (10 pc set x2), OB48WG Wind Guard.

B

Unit illustrated is a OB48MAP Linear Burner (Manual/Propane), MQG5C Glass Media (Bronze x4), MQSTONE10 Decorative Stones (10 pc set x2).

B

Burners



A

Unit illustrated is a OB72MVN Linear Burner (Millivolt/Natural Gas), MQG5C Glass Media (Bronze x6), MQSTONE Decorative Stones.

Linear Outdoor Burner Systems

Certified for USA and Canada to ANSI Z21.97-2014, CSA 2.41-2014. Outdoor Decorative Gas Appliance

24"

OB24MAP
Linear Burner 24"
Manual Valve
Propane
40,000 BTU

OB24MVN
Linear Burner 24"
Millivolt Valve
Natural Gas
40,000 BTU

Dimensions (A) x (B)
26"L x 7 1/2"W

24OB-CKLP
Conversion Kit
to Propane Millivolt

36"

OB36MAP
Linear Burner 36"
Manual Valve
Propane
60,000 BTU

OB36MVN
Linear Burner 36"
Millivolt Valve
Natural Gas
60,000 BTU

Dimensions (A) x (B)
38"L x 7 1/2"W

36OB-CKLP
Conversion Kit
to Propane Millivolt

48"

OB48MAP
Linear Burner 48"
Manual Valve
Propane
60,000 BTU

OB48MVN
Linear Burner 48"
Millivolt Valve
Natural Gas
80,000 BTU

Dimensions (A) x (B)
50"L x 7 1/2"W

48OB-CKLP
Conversion Kit
to Propane Millivolt

72"

OB72MVN
Linear Burner 72"
Millivolt Valve
Natural Gas
120,000 BTU

Dimensions (A) x (B)
74"L x 7 1/2"W

72OB-CKLP
Conversion Kit
to Propane Millivolt

96"

OB96MVN
Linear Burner 96"
Millivolt Valve
Natural Gas
156,000 BTU

Dimensions (A) x (B)
98"L x 7 1/2"W

96OB-CKLP
Conversion Kit
to Propane Millivolt

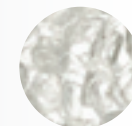
*Manual Valve Systems are shipped as Propane, NG conversion orifice is included with burner.

Glass Media Required

5 lbs per foot of burner (ie: 24" burner = 10 lbs)



MQG5A
1/2" Cobalt Blue
5 lbs



MQG5W
1/2" White
5 lbs



MQG5C
1/2" Bronze
5 lbs



MQG5B
1/2" Black
5 lbs



MQG5ZG
Zircon Glacier Ice
5 lbs



Electronic Sparker

Included with Manual Burners (AAA Battery not included).

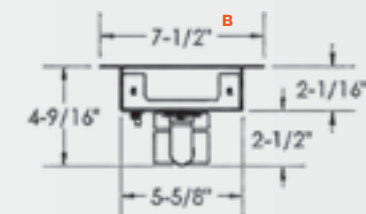
Top View



Side View



End View



All burners are manufactured with Satin Coat steel with a high temperature black paint finish. Satin Coat steel is pretreated with a Zinc coating for corrosion resistance and paint adhesion.

Fire Stands

Completely portable and stand-alone, the Barbara Jean Fire Stand is perfect for any outdoor space, season or occasion. Gather friends and family around a mesmerizing ribbon of fire and enjoy every occasion outdoors. Three sizes and two colour options plus a variety of ember glass, driftwood logs, decorative stones and rock options ensure you create the look you want.



A

Unit illustrated is a OFS48MAP Fire Stand Linear Burner (Manual/Propane), MQG5C Glass Media (Bronze x4), MQSTONE10 Decorative Stones (10 pc set x2), OB48WG Wind Guard.

B

Unit illustrated is a OFS48MAP Linear Fire Stand (Manual/Propane), MQG5C Glass Media (Bronze x4), OB48WG Wind Guard.

C

Unit illustrated is a OFS48MAP Fire Stand Linear Burner (Manual/Propane), MQG5C Glass Media (Bronze x4), MQSTONE10 Decorative Stones (10 pc set x2).

Linear Outdoor Fire Stands

Certified for USA and Canada to ANSI Z21.97-2014, CSA 2.41-2014. Outdoor Decorative Gas Appliance.

24"

Fire Stand with 24" Linear Burner

OFS24MAP

Manual Valve Propane* (40,000 BTU)

OFS24MAN

Manual Valve Natural Gas (40,000 BTU)

Powdercoat Black Top:

OFS24MAP-BL

Manual Valve Propane*

OFS24MAN-BL

Manual Valve Natural Gas

36"

Fire Stand with 36" Linear Burner

OFS36MAP

Manual Valve Propane* (60,000 BTU)

OFS36MAN

Manual Valve Natural Gas (60,000 BTU)

Powdercoat Black Top:

OFS36MAP-BL

Manual Valve Propane*

OFS36MAN-BL

Manual Valve Natural Gas

48"

Fire Stand with 48" Linear Burner

OFS48MAP

Manual Valve Propane* (60,000 BTU)

OFS48MAN

Manual Valve Natural Gas (63,500 BTU)

Powdercoat Black Top:

OFS48MAP-BL

Manual Valve Propane*

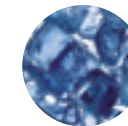
OFS48MAN-BL

Manual Valve Natural Gas

*Propane Fire Stands includes 10 ft. Hose and Regulator

Glass Media Required

5 lbs per foot of burner (ie: 24" burner = 10 lbs)



MQG5A
½" Cobalt Blue
5 lbs



MQG5W
½" White
5 lbs



MQG5C
½" Bronze
5 lbs



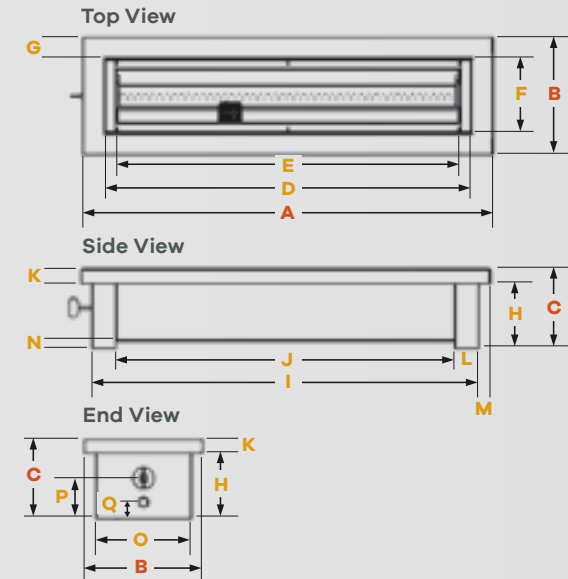
MQG5B
½" Black
5 lbs



MQG5ZG
Zircon Glacier Ice
5 lbs

Dimensions

| | 24" | 36" | 48" |
|----------|-----------|-----------|-----------|
| A | 30 5/8" | 42 5/8" | 54 5/8" |
| B | 12 13/16" | 12 13/16" | 12 13/16" |
| C | 8 3/16" | 8 3/16" | 8 3/16" |
| D | 26" | 38" | 50" |
| E | 24" | 36" | 48" |
| F | 7 1/2" | 7 1/2" | 7 1/2" |
| G | 2 1/4" | 2 1/4" | 2 1/4" |
| H | 6 1/16" | 6 1/16" | 6 1/16" |
| I | 28 1/4" | 40 1/4" | 52 1/4" |
| J | 23 5/16" | 35 5/16" | 47 5/16" |
| K | 1 1/2" | 1 1/2" | 1 1/2" |
| L | 2 1/2" | 2 1/2" | 2 1/2" |
| M | 1 3/16" | 1 3/16" | 1 3/16" |
| N | 3/4" | 3/4" | 3/4" |
| O | 9 13/16" | 9 13/16" | 9 13/16" |
| P | 4 3/16" | 4 3/16" | 4 3/16" |
| Q | 1 3/4" | 1 3/4" | 1 3/4" |



Outdoor Linear Fireplaces

Dramatically change the look and feel of your patio with the sleek, clean-view style of the Barbara Jean Collection Outdoor Linear Fireplace. Choose from a single sided or see-through option and three sizes to suit your outdoor space. Bringing your vision to life is simple with accents of ember glass, driftwood logs, and decorative stones and rocks.



A

Unit illustrated is a OFP7972S2N Outdoor Linear Fireplace (See Through - Millivolt/Natural Gas), with MQG5C Glass Media (Bronze x6), OFP79SS Stainless Steel Surround.

Outdoor Linear Fireplaces



Unit illustrated is a OFP7972S1N Outdoor Linear Gas Fireplace (Single Sided - Millivolt/Natural Gas), MQG5C Glass Media (Bronze x6), MQRBD3 Drift Wood (5 pc set), MQSTONE Decorative Stones.



Unit illustrated is a OFP5548S1N Outdoor Linear Gas Fireplace (Single Sided - Millivolt/Natural Gas), MQG5C Glass Media (Bronze x4), RBCB1 Cannonballs (Assorted 14 pc set).

Outdoor Linear Fireplaces

Certified for USA and Canada to ANSI Z21.97-2014, CSA 2.41-2014. Outdoor Decorative Gas Appliance

36"

OFP4336S1N
Linear Fireplace
Single Side

OFP4336S2N
Linear Fireplace
See Through

Linear Burner 36"
Millivolt Valve
Natural Gas
60,000 BTU

36OB-CKLP
Conversion Kit
to Propane Millivolt

48"

OFP5548S1N
Linear Fireplace
Single Side

OFP5548S2N
Linear Fireplace
See Through

Linear Burner 48"
Millivolt Valve
Natural Gas
80,000 BTU

48OB-CKLP
Conversion Kit
to Propane Millivolt

72"

OFP7972S1N
Linear Fireplace
Single Side

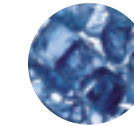
OFP7972S2N
Linear Fireplace
See Through

Linear Burner 72"
Millivolt Valve
Natural Gas
120,000 BTU

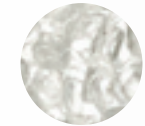
72OB-CKLP
Conversion Kit
to Propane Millivolt

Glass Media Required

5 lbs per foot of burner (ie: 24" burner = 10 lbs)



MQG5A (5 lbs)
1/2" Cobalt Blue



MQG5W (5 lbs)
1/2" White



MQG5C (5 lbs)
1/2" Bronze



MQG5B (5 lbs)
1/2" Black



MQG5ZG (5 lbs)
Zircon Glacier Ice

Dimensions

36"

OFP4336S1N

- A 19 1/4"
- B 18 1/8"
- C 3/4"
- D 19 1/16"
- E 3/8"
- F 57 1/4"
- G 5"
- H 40 7/16"
- I 18 1/8"
- J 19 1/4"
- K 35 1/2"
- L 5"
- M 9 9/16"
- N 42 15/16"
- O 16 5/16"
- P 7 1/8"
- Q 57 1/4"

48"

OFP5548S1N

- A 19 1/4"
- B 18 1/8"
- C 3/4"
- D 19 1/16"
- E 3/8"
- F 69 1/4"
- G 5"
- H 40 7/16"
- I 18 1/8"
- J 19 1/4"
- K 35 1/2"
- L 5"
- M 9 9/16"
- N 54 15/16"
- O 16 5/16"
- P 7 1/8"
- Q 69 1/4"

72"

OFP7972S1N

- A 19 1/4"
- B 18 1/8"
- C 3/4"
- D 19 1/16"
- E 3/8"
- F 93 1/4"
- G 5"
- H 40 7/16"
- I 18 1/8"
- J 19 1/4"
- K 35 1/2"
- L 5"
- M 9 9/16"
- N 78 15/16"
- O 16 5/16"
- P 7 1/8"
- Q 93 1/4"

OFP4336S2N

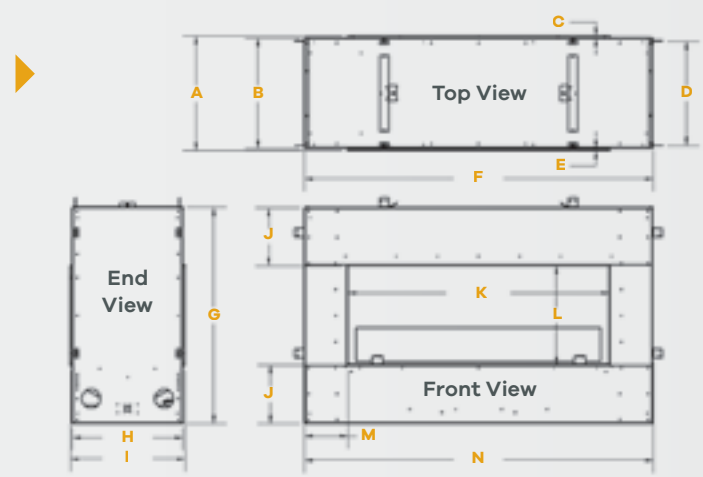
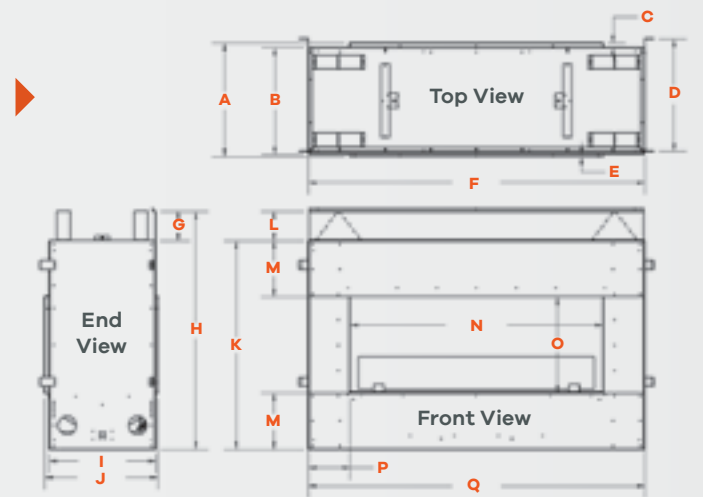
- A 18 7/8"
- B 18 1/8"
- C 3/8"
- D 17 1/16"
- E 3/8"
- F 57 1/4"
- G 35 1/2"
- H 18 1/8"
- I 18 7/8"
- J 9 9/16"
- K 42 15/16"
- L 16 5/16"
- M 7 1/8"
- N 57 1/4"

OFP5548S2N

- A 18 7/8"
- B 18 1/8"
- C 3/8"
- D 17 1/16"
- E 3/8"
- F 69 1/4"
- G 35 1/2"
- H 18 1/8"
- I 18 7/8"
- J 9 9/16"
- K 54 15/16"
- L 16 5/16"
- M 7 1/8"
- N 69 1/4"

OFP7972S2N

- A 18 7/8"
- B 18 1/8"
- C 3/8"
- D 17 1/16"
- E 3/8"
- F 93 1/4"
- G 35 1/2"
- H 18 1/8"
- I 18 7/8"
- J 9 9/16"
- K 78 15/16"
- L 16 5/16"
- M 7 1/8"
- N 93 1/4"



Accessories

The beauty of Barbara Jean Collection is that you can fully customize the look of your unit. Choose convenient accessories and designer options that range from classic driftwood logs to a more contemporary style of ember glass or rocks. Whatever you choose, you'll find the quality and unique style we're certain you'll warm up to.



Optional Surround for Outdoor Linear Fireplaces



Stainless Steel Surrounds
OFP43SS, OFP55SS, OFP79SS

A

Unit illustrated is a OFS48MAP Fire Stand Linear Burner (Manual/Propane), MQG5C Glass Media (Bronze x4), MQSTONE10 Decorative Stones (10 pc set x2), OB48WG Wind Guard



Optional Accessories



MQRBD3
Log Set: Drift Wood (5 pc)



MQRBD4
Log Set: Drift Wood (3 pc)



MQROCK2
Rock Set: Contemporary (Natural)



MQROCK3
Rock Set: Contemporary (Multi-Colored)



RBCB1
Cannonballs: Assorted size and colors (14 pc)



MQSTONE
Decorative Stones (80 pc)



MQSTONE10
Decorative Stones (10 pc)



GFRC
Black and Grey Remote Millivolt (On/Off)



OFP42SA
Spark Assist for Millivolt Valve (AA Battery not included)



OBUVM
Universal Valve Bracket Mount (for Custom Applications)



Wind Guard:
5 1/2" H



Optional Wind Guards for Outdoor Burners



OB24WG
for 24" Burners OB24 (4 pc set)

OB36WG
for 36" Burners OB36 (4 pc set)

OB48WG
for 48" Burners OB48 (4 pc set)

OB72WG
for 72" Burners OB72 (4 pc set)

OB96WG
for 96" Burners OB96 (4 pc set)



Optional Weather Covers for Outdoor Fire Tables



OB24NWC for Narrow 24" tables

OB24WWC for Wide 24" tables

OB36NWC for Narrow 36" tables

OB36WWC for Wide 36" tables

OB48NWC for Narrow 48" tables

OB48WWC for Wide 48" tables



Optional Weather Covers for Outdoor Linear Fireplaces

OFP43WC Stainless Steel

OFP55WC Stainless Steel

OFP79WC Stainless Steel



Optional LED Accent Lighting Kits



OLK24
for 24" Burners OB24 (with remote control)

OLK36
for 36" Burners OB36 (with remote control)

OLK48
for 48" Burners OB48 (with remote control)

OLK72
for 72" Burners OB72 (with remote control)

OLK96
for 96" Burners OB96 (with remote control)



Barbara Jean

· COLLECTION ·



The Barbara Jean Collection maintains a program of continuous testing, refinement and improvements of all its products. Some aspect of units shown here may be changed at any time without notice or obligation.

Certification: Certified for USA and Canada ANSI Z21.97-2014, CSA 2.41-2014, Outdoor Decorative Gas Appliances.

*Components may have to be ordered separately to create a complete unit. Discuss with your local Dealer for clarification.

Printed in Canada | B0500 | 01/17  



Limited Warranty

The burner is warranted against defects for five years. All other components such as gas valves, thermocouples, igniters, lights and media are warranted against defects for one year.