

OUTDOOR LINEAR FIRE PIT MANUAL



OUTDOOR BURNERS: OB24MAN, OB24MAP, OB24MVN, OB24MVP,
OB36MAN, OB36MAP, OB36MVN, OB36MVP,
OB48MAN, OB48MAP, OB48MVN, OB48MVP,
OB72MVN, OB72MVP, OB96MVN, OB96MVP



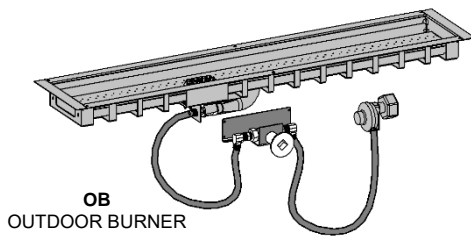
-CERTIFIED FOR USA & CANADA- ANSI Z21.97-2014 • CSA 2.41-2014 OUTDOOR DECORATIVE GAS APPLIANCES

NOTE: LP MANUAL (MAP) VALVE SYSTEMS ARE SHIPPED WITH AN ACCOMPANYING ORIFICE FOR NG CONVERSION. ALL MILLIVOLT VALVE SYSTEMS ARE SHIPPED AS NG SYSTEMS (MVN) AND REQUIRE A CONVERSION KIT FOR LP CONVERSION.

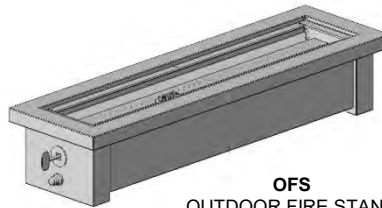
OUTDOOR FIRE STANDS (c/w Burner): OFS24MAN, OFS24MAP, OFS36MAN, OFS36MAP, OFS48MAN, OFS48MAP

OUTDOOR FIRE TABLES (Burner Required): OLTN24, OLTW24, OLTN36, OLTW36, OLTN48, OLTW48

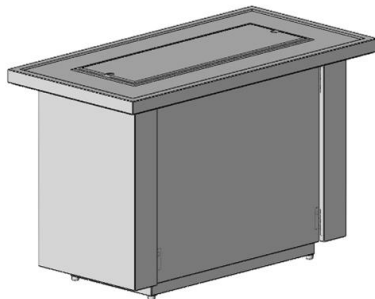
OUTDOOR FIREPLACES (Burner Required): OFP4336S1, OFP4336S2, OFP5548S1, OFP5548S2, OFP7972S1, OFP7972S2



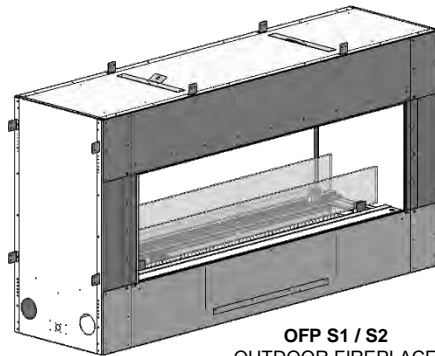
OB
OUTDOOR BURNER



OFS
OUTDOOR FIRE STAND



OLTN / OLTW
OUTDOOR FIRE TABLE



OFP S1 / S2
OUTDOOR FIREPLACE

INSTALLER: Leave this manual with the appliance.

CONSUMER: Retain this manual for future reference.

DANGER



CARBON MONOXIDE HAZARD

This appliance can produce carbon monoxide which has no odor.

Using it in an enclosed space can kill you.

Never use this appliance in an enclosed space such as a camper, tent, car or home.

This appliance is designed as an "attended appliance". Adults must be present when the unit is operating. **DO NOT** leave this unit burning when unattended. If this product is left burning unattended it may cause damage or serious injury.

DANGER

If you smell gas:

1. Shut off gas to the appliance.
2. Extinguish any open flame.
3. If odor continues, keep away from the appliance and immediately call your gas supplier or fire department.

WARNING

Do not store or use gasoline or other flammable vapors and liquids in the vicinity of this or any other appliance.

An LP-cylinder not connected for use shall not be stored in the vicinity of this or any other appliance.

WARNING

For Outdoor Use Only.

WARNING

Improper installation, adjustment, alteration, service or maintenance can cause injury or property damage.

Read the installation, operating and maintenance instructions thoroughly before installing or servicing this equipment.

Warnings, Installations and Operations

This gas appliance must be installed by a qualified installer in accordance with local building codes, or in the absence of local codes, with the current CAN/CSA-B149.1 or .2 Installation Code (in Canada) or the current National Fuel Gas Code Z223.1- NFPA 54 when installed in the United States.

This appliance, when installed, must be electrically connected and grounded in accordance with local codes, or in the absence of local codes, with the current CSA C22.1 Canadian Electrical Code or with the National Electrical Code; ANSI/NFPA 70 when installed in the United States.

WARNING

FOR SAFE INSTALLATION AND OPERATION OF YOUR GAS FIREPLACE PLEASE NOTE THE FOLLOWING:

1. when an appliance is for connection to a fixed piping system, the installation must conform with local codes or, in the absence of local codes, with the National Fuel Gas Code, ANSI Z223.1 • NFPA 54; National Fuel Gas Code; Natural Gas and Propane Installation Code, CSA B149.1; or Propane Storage and Handling Code, CSA B149.2, as applicable.
2. This appliance, when installed, must be electrically grounded in accordance with local codes or, in the absence of local codes, with the National Electrical Code, ANSI/NFPA 70; or the Canadian Electrical Code, CSA C22.1, if applicable.
3. THIS UNIT IS NOT FOR USE WITH SOLID FUEL.
4. Always keep the appliance clear and free from combustible materials, gasoline, and other flammable vapors and liquids.
5. Inspect the fuel supply connection (including the hose for LP models) before each use of the appliance. See Lighting Instructions for removal of Access Panel.
6. If it is evident there is excessive abrasion or wear, or the hose is damaged, it must be replaced prior to the appliance being put into operation. Locate the hose out of pathways where people may trip over it or in areas where the hose may be subject to accidental damage
7. Locate the hose out of pathways where people may trip over it or in areas where the hose may be subject to accidental damage.
8. Children and adults should be alerted to the hazards of the high surface temperatures of this appliance and should stay away to avoid burns or ignition of clothing.
9. Young children should be carefully supervised when they are in the area of the appliance.
10. Clothing or other flammable material should not be placed on or near the appliance. This appliance should not be used as a drying rack for clothing.
11. Any safety screen or guard removed for servicing an appliance must be replaced prior to operating the appliance.
12. Installation and repair should be done by a qualified service person. The appliance should be inspected before use and at least annually by a professional service person. More frequent cleaning may be required due to excessive lint from carpeting, et cetera. It is imperative that control compartments, burners and circulating air passageways of the appliance be kept clean.
13. Do not use this appliance if any part has been under water. Immediately call a qualified service technician to inspect the unit and to replace any part of the control system and any gas control which has been underwater.

In the Commonwealth of Massachusetts, the installer or service agent shall be a plumber or gas fitter licensed by the Commonwealth of Massachusetts.

For the State of Massachusetts, flexible connectors shall not exceed 36 inches in length.

For the state of Massachusetts a T-handle gas shut-off valve must be used on a gas appliance.



Table of Contents

INTRODUCTION	
Warnings, Installations and Operations.....	2
Table of Contents.....	3
Pre-installation Questions and Answers.....	4
Important Information About Outdoor Fireplaces.....	4
Locating Your Appliance / Outdoor Spaces.....	5
Minimum Clearances to Combustibles- Burners / Fire Stands / Tables.....	5
Clearance Specifications for OFP4336 / OFP5548 / OFP7972.....	6
Outdoor Burners Basic Models and Applications.....	7
24 / 36 / 48 / 72 / 96 OUTDOOR BURNERS	
Burner Systems for Custom Applications, OB / OFS / OLTN / LTW / OFP Models.....	8
Dimensions - OB24 / OB36 / OB48 / OB72 / OB96 Outdoor Burners.....	9
OB Burners – Unpacking and Setup – Manual Valve Systems.....	10
OB Burners – Unpacking and Setup – Millivolt Valve Systems.....	11
CUSTOM ENCLOSURES	
Custom Enclosures-OB24 / 36 / 48 / 72 / 96.....	12
OBUVM – Universal Valve Mount.....	13
Enclosures for LP (Propane) Gas Supply Systems.....	14
OUTDOOR FIRE STANDS	
Outdoor Fire Stands (OFS) Dimensions - OFS24 / OFS36 / OFS48.....	15
Outdoor Fire Stands (OFS) Unpacking and Setup...	16
OUTDOOR FIRE TABLES	
Outdoor Fire Tables (OLTN / OLTW) Dimensions – OLTN24 / OLTW24.....	17
Outdoor Fire Tables (OLTN / OLTW) Dimensions – OLTN36 / OLTW36.....	18
Outdoor Fire Tables (OLTN / OLTW) Dimensions – OLTN48 / OLTW48.....	19
Outdoor Fire Tables – Assembly.....	20
Outdoor Fire Tables– Burner Installation.....	21
Outdoor Fire Tables – 20lb Cylinder Installation.....	22
OUTDOOR FIREPLACES	

Outdoor Fireplaces (OFP) OFP4336S1 & OFP4336S2 Dimensions.....	23
Outdoor Fireplaces (OFP) OFP5548S1 & OFP5548S2 Dimensions.....	24
Outdoor Fireplaces (OFP) OFP7972S1 & OFP7972S2 Dimensions.....	25
Outdoor Fireplaces (OFP) – Handling Unit.....	26
Adjustable Support Guide -Hearth Flush With Fireplace Opening.....	27
Outdoor Fireplace (OFP) Optional Framing (S1 & S2).....	28
Outdoor Fireplace (OFP) Clearances and Mantels..	29
Surround Installation OFP43SS / OFP55SS / OFP79SS.....	30
Weather Cover Installation OFP43WC / OFP55WC / OFP79WC.....	31
Outdoor Fireplace (OFP) Wind Guard Glass.....	32
About Stainless Steel Parts And Accessories.....	32
Outdoor Fireplace (OFP) Burner Removal & Installation.....	33
ACCESSORIES AND OPTIONS	
Glass Media for Outdoor Burners.....	34
Optional Media Accessories.....	34-35
Optional Wind Guards.....	36
MAINTENANCE	
Burner System Maintenance.....	37
General Maintenance Instructions.....	38
BURNER LIGHTING / GAS INSTALLATION	
Manual Lighting Instructions.....	39
Millivolt Lighting Instructions.....	40
Gas Line Installation.....	41
LP Cylinder Requirements / LP Conversion Kits.....	42
Gas Conversion - Manual Systems.....	43
Gas Conversion Part A – Millivolt Systems.....	44
Gas Conversion Part B – Top Convertible Pilot.....	45
Gas Conversion Part C – Valve Modulator.....	46
Optional Electronic Spark Assist.....	47
Troubleshooting the Gas Control System.....	48
PARTS LISTS	
Plumbing Parts.....	49
Outdoor Burners- Parts List.....	50-51
Limited Warranty.....	52

Pre-installation Questions and Answers

About curing of the paint

Your stove or fireplace has been painted with the highest quality silicone stove paint. This paint dries quickly in 15-20 minutes when first applied at the factory. However, due to the high temperature silicone components, the paint will cure when heat is applied to the appliance as it is first used. The following information applies to the curing process to get the paint fully hard and durable.

Fire the appliance four successive times for 10 minutes each firing and a 5 minute cool down between each. Be aware during log and firebox paint curing that a white deposit may be developing on the inside of the glass doors. It is important to remove this white deposit from the glass doors using a fireplace glass cleaner.

- Babies, small children, pregnant women and pets should leave the area during the cure phase.
- Ventilate well, open doors and windows.
- Do not touch during curing.

Why does my fireplace or stove give off odour?

It is normal for your fireplace to give off some odor at first. This is due to the curing of the paint, adhesives, silicones and any undetected oil from the manufacturing process as well as the finishing materials used with the installations (e.g. marble, tile and the adhesives used to adhere this product to the walls can react with heat and cause odours).

It is recommended that you burn your gas fireplace or stove for a minimum of four hours at a time with the fan off (if a fan is present) after the curing of the paint has been completed. These odours can last upward to 40 hours of burn time; keep burning at a minimum of four hours per use until odours dissipate.

Noise coming from the fireplace?

Noise is caused by the expansion and contraction of metal as the appliance heats up and cools down. This is normal and is similar to the sounds produced by a furnace or heating duct. This noise does not affect the operation or longevity of your fireplace.

Note to the Installer:

Be sure appliance is working properly and its operation (including remote control operation, if included) is fully explained to and understood by the customer.

-Operating Instructions-

1. Be sure to read and understand all the instructions in this manual before operation of appliance.
2. Ensure all wiring is correct and properly enclosed to prevent possible shock.
3. Check for gas leaks.
4. If brick or porcelain liners are used, ensure they are installed.
5. Verify that the pilot can be seen when lighting the appliance. If not, the log or rock placement is incorrect.
6. If the unit is turned off, you must wait a minimum of 60 seconds before re-lighting it.

Important Information About Outdoor Fireplaces

Before you build in this appliance:

- Do not insulate around the appliance. Heat buildup could lead to component failure.
- Pay attention to all clearances to combustibles and specifications stated in this manual.
- Drainage- If this appliance is installed in a location where it will be exposed to water and moisture, drainage is an important consideration.
- Inadequate drainage will cause rust, which is not covered by the warranty.

Information about outdoor fireplaces

- Outdoor fire burning appliances may not function properly at all times regardless of the circumstances.
- Wind can greatly affect flame performance. If used in windy conditions a wind guard is recommended.
- Outdoor units require adequate ventilation in order to burn properly.
- Restricted access to air is not only dangerous for persons near the appliance, but the appliance also will not function correctly.
- This appliance consumes air, burns fuel, and emits heat and exhaust gases.
- Only approved media and accessories listed in this manual should be used with this appliance.
- This appliance is not intended for use in temperatures below freezing.
- The pilot burner (if equipped) should be covered to protect it from the elements when not in use.

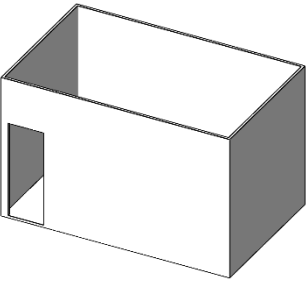
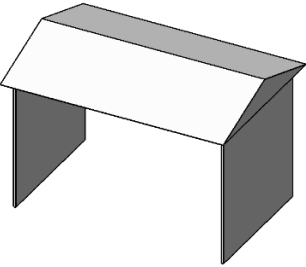
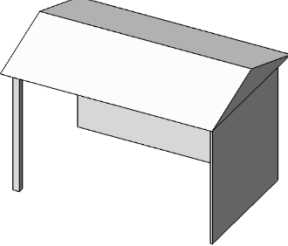
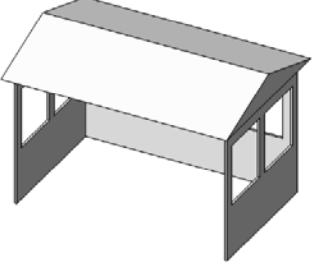
Locating Your Appliance

Note: Ventilation and air flow comes from openings in the walls and ceiling. Open floor space around the appliance must not be considered ventilation and air flow space.

- This unit requires combustion air and will produce exhaust gases. Install in an open-air situation with natural ventilation and without stagnant areas.
- Avoid installing in tight spaces and corners.
- Be aware of combustibles (i.e. furniture) near appliance. Clearance is 12" when using a wind guard.
- By definition, an outdoor space is not enclosed. Any area in which these appliances are used shall comply with the structures shown below.

Locating Your Appliance – Outdoor Spaces

This appliance may be installed within the following structures:

<p>1.</p>  <p>Walls on all sides (Minimum area of 96 square feet), but with no overhead cover and at least one permanent opening (doorway) at ground level.</p>	<p>2.</p>  <p>Within a partial enclosure that includes an overhead cover and no more than two side walls.</p>	<p>3.</p>  <p>These side walls may be parallel, as in a breezeway, or at right angles to each other.</p>	<p>4.</p>  <p>Within a partial enclosure that includes an overhead cover and three side walls, as long as 30 percent or more of the horizontal periphery of the enclosure is permanently open.</p>
---------------------------------------------------------------------------------------------------------------------------------------------------------------------------------------------------------------------------------------------------------	-------------------------------------------------------------------------------------------------------------------------------------------------------------------------------------------------------	---------------------------------------------------------------------------------------------------------------------------------------------------------------------------------------------------	-----------------------------------------------------------------------------------------------------------------------------------------------------------------------------------------------------------------------------------------------------------------------------------------------------

All models can be installed safely in a screened porch area within the following guidelines:

Minimum porch area is 96sq. feet with one side fully open.

A minimum of two (2) walls can be screened, but must be open to outside ventilation, with a minimum screen area of 64 sq. feet, and a minimum side wall height of 78" inches.

Locating Your Appliance – Minimum Clearances to Combustibles- Burners / Fire Stands / Tables

A Wind Guard is recommended for Outdoor Burners and Fire Stands, and **Required** for Outdoor Fire Tables.

Outdoor Burners (OB24 / 36 / 48 / 72 / 96)

Outdoor Fire Stands (OFS24 / 36 / 48)

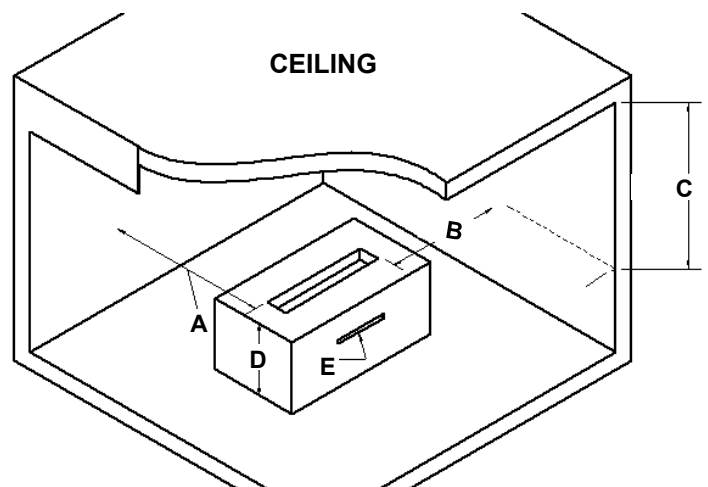
Outdoor Fire Tables (OLTN / OLTW24 / 36 / 48)

WARNING -RISK OF FIRE-
All minimum clearances must be adhered to.

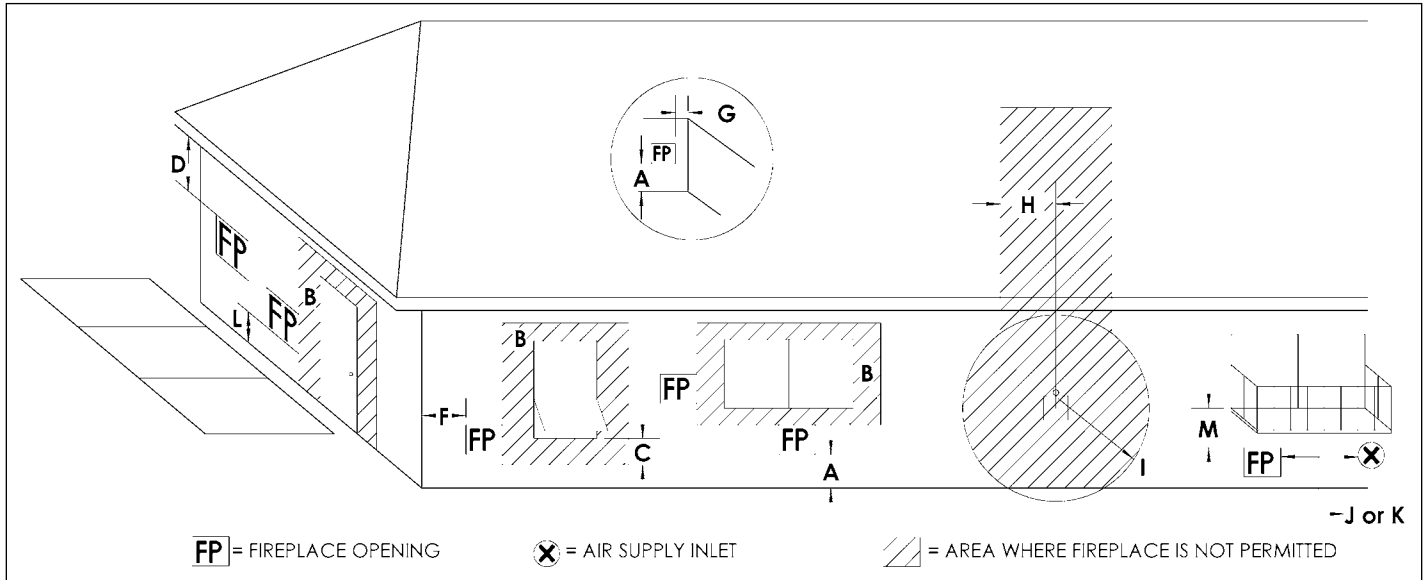
Clearance	Dimension	Measured From:
A: Side wall	24"	Side of Burner Tray
B: End wall	12"	End of Burner Tray
C: Ceiling	49-1/2"	Top of Burner Tray
D: Floor	8"	Top of Burner Tray

E: Air openings required in custom enclosures-

- OB24- 35 square inches (e.g. 2 slots 1.5" x 12")
- OB36- 53 square inches (e.g. 2 slots 1.5" x 18")
- OB48- 71 square inches (e.g. 2 slots 1.5" x 24")
- OB72- 106 square inches (e.g. 2 slots 1.5" x 36")
- OB96- 142 square inches (e.g. 2 slots 1.5" x 48")



Clearance Specifications for OFP4336 / OFP5548 / OFP7972



A =	2in.....	Clearances above grade, veranda, porch, deck or balcony.	I =	3ft (USA)..... 6ft (Canada)	Clearance to service regulator vent outlet and electric service.
B =	12in..... 36in.....	Clearances to window or door that may be opened, or to permanently closed window. Vinyl windows or siding.	J =	9in (USA)..... 12in (Canada)	Clearance to non-mechanical air Supply inlet to building or the combustion air inlet to any other appliance.
C =	12in.....	Clearance below an operable window.	K =	3ft (USA)..... 6ft (Canada)	Clearance to a mechanical air supply inlet
D =	47in.....	Vertical clearance to unventilated soffit or to or to ventilated soffit located above the fireplace.	L* =	54in.....	Clearance above paved sidewalk or a paved driveway located on public property.
	60in.....	Vinyl clad soffits.	M** =	47in.....	Clearance under veranda, porch, deck, balcony or overhang.
G =	3-1/2in..... 48in.....	Clearance to inside corner. Vinyl windows or siding.		Not allowed....	Vinyl.
H =	3ft. (Canada)	Not to be installed above a gas meter/regulator assembly within 3ft horizontally from the center line of the regulator.			

NOTE: Diagrams & Illustrations not to scale.

* A fireplace shall not open directly above a sidewalk or paved driveway which is located between two single family dwellings and services both dwellings.

**Only permitted if veranda, porch, deck or balcony is fully open on a minimum of 2 sides beneath the floor, or if the screened porch guidelines are followed.

Note 1: Local codes or regulations may require different clearances.

This appliance can be installed safely in a screened porch area within the following guidelines:

Minimum porch area is 96sq. feet with one side fully open.

A minimum of two (2) walls can be screened, but must be open to outside ventilation, with a minimum screen area of 64 sq. feet, and a minimum side wall height of 78" inches.

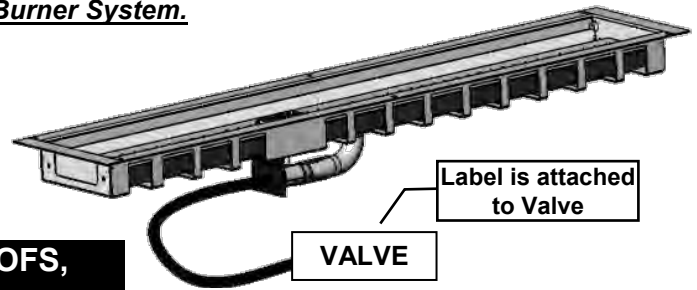
Note: There may be some odor and small amounts of soot associated with burning the fireplace in a screened porch. Ensuring good cross draft ventilation and routine maintenance of the fireplace will maximize comfort and cleanliness.

Outdoor Burners Basic Models and Applications

The Outdoor Burners (OB24, OB36, OB48, OB72, and OB96) are the basic component of the *Barbara Jean Series*. These burners are a Complete Certified and Listed Burner System.

They consist of: -Burner
-Valve Control (Manual or Millivolt)
-Label

These burners can be placed into *Custom Enclosures* which meet the specifications stated in the manual.



Burners for Custom Applications and Optional OFS, OFT, and OFP Installations

LISTED BURNER	MAP Manual-LP	MAN Manual-NG	MVP Millivolt-LP	MVN Millivolt-NG
OB24-	✓ c/w NG Orifice	✓	Conversion Kit Required	✓
OB36-	✓ c/w NG Orifice	✓	Conversion Kit Required	✓
OB48-	✓ c/w NG Orifice	✓	Conversion Kit Required	✓
OB72-	N/A	N/A	Conversion Kit Required	✓
OB96-	N/A	N/A	Conversion Kit Required	✓

Burner systems may be connected together in series (i.e. OB36MAP & OB48MAP). See *Custom Enclosures* section.

ALL LP MANUAL (MAP) VALVE SYSTEMS ARE SHIPPED WITH AN ACCOMPANYING ORIFICE FOR NG CONVERSION.

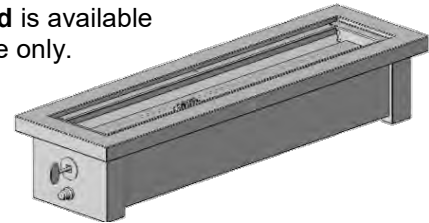
ALL MILLIVOLT VALVE SYSTEMS ARE SHIPPED AS NG SYSTEMS (MVN) AND REQUIRE A CONVERSION KIT FOR LP CONVERSION.

The following Approved Accessories can also be ordered:

Outdoor Fire Stand (OFS) Approved Accessory (Burner is Included)

LISTED BURNER	OFS Fire Stand	MAP Manual-LP	MAN Manual-NG
OB24-	OFS24-	✓	✓
OB36-	OFS36-	✓	✓
OB48-	OFS48-	✓	✓

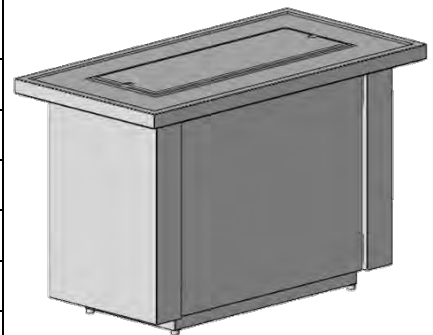
Outdoor Fire Stand is available with a Manual Valve only.



Outdoor Fire Tables (OLTN / OLTW) Approved Accessory (Burner is ordered separately)

LISTED BURNER	OFT Outdoor Fire Table	MAP Manual-LP	MAN Manual-NG	MVP Millivolt-LP	MVN Millivolt-NG
OB24-	OLTN24	✓	✓	Conversion Kit Required	✓
OB24-	OLTW24	✓	✓	Conversion Kit Required	✓
OB36-	OLTN36	✓	✓	Conversion Kit Required	✓
OB36-	OLTW36	✓	✓	Conversion Kit Required	✓
OB48-	OLTN48	✓	✓	Conversion Kit Required	✓
OB48-	OLTW48	✓	✓	Conversion Kit Required	✓

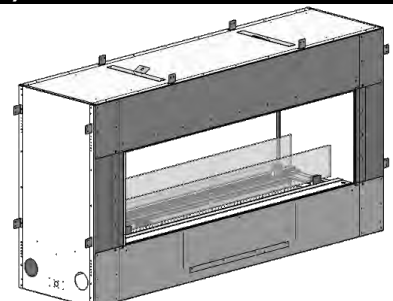
Outdoor Fire Table



Outdoor Fireplace (OFP) Approved Accessory (Burner is included)

LISTED BURNER	OFP Outdoor Fireplace	MVP Millivolt-LP	MVN Millivolt-NG
OB36-	OFP4336 S1 or S2	Conversion Kit Required	✓
OB48-	OFP5548 S1 or S2	Conversion Kit Required	✓
OB72-	OFP7972 S1 or S2	Conversion Kit Required	✓

Outdoor Fireplace



-Burners-

Burner Systems for Custom Applications, OB / OFS / OLTN / OLTW / OFP Models

Burner System c/w Valve	Valve System	Stocked Burner Conversion Kit shown	Burner (OB) Dimensions for Custom Applications (Add 1/8" per side for tolerance)	Outdoor Fire Stand (OFS)	Outdoor Fire Table (OLTN or OLTW)	Outdoor Fireplace (OFP)
OB24MAP	Dante Manual	LP Burner (c/w NG Orifice)	7-1/2" wide x 26" long x 2" tall	OFS24MAP	OLTN24 OLTW24	N/A
OB24MAN	Dante Manual	NG Burner For LP order 24OB-CKLP5 or 24OB-CKLP10	7-1/2" wide x 26" long x 2" tall	OFS24MAN	OLTN24 OLTW24	N/A
OB24MVN	SIT Millivolt	NG Burner For LP order 24OB-CKLP	7-1/2" wide x 26" long x 2" tall	N/A	OLTN24 OLTW24	N/A
OB36MAP	Dante Manual	LP Burner (c/w NG Orifice)	7-1/2" wide x 38" long x 2" tall	OFS36MAP	OLTN36 OLTW36	N/A
OB36MAN	Dante Manual	NG Burner For LP order 36-48OB-CKLP5 or 36-48OB-CKLP10	7-1/2" wide x 38" long x 2" tall	OFS36MAN	OLTN36 OLTW36	N/A
OB36MVN	SIT Millivolt	NG Burner For LP order 36OBCKLP	7-1/2" wide x 38" long x 2" tall	N/A	OLTN36 OLTW36	OFP4336S1 OFP4336S2
OB48MAP	Dante Manual	LP Burner (c/w NG Orifice)	7-1/2" wide x 50" long x 2" tall	OFS48MAP	OLTN48 OLTW48	N/A
OB48MAN	Dante Manual	NG Burner For LP order 36-48OB-CKLP5 or 36-48OB-CKLP10	7-1/2" wide x 50" long x 2" tall	OFS48MAN	OLTN48 OLTW48	N/A
OB48MVN	SIT Millivolt	NG Burner For LP order 48OB-CKLP	7-1/2" wide x 50" long x 2" tall	N/A	OLTN48 OLTW48	OFP5548S1 OFP5548S2
OB72MVN	SIT Millivolt	NG Burner For LP order 72OB-CKLP	7-1/2" wide x 74" long x 2" tall	N/A	N/A	OFP7972S1 OFP7972S2
OB96MVN	SIT Millivolt	NG Burner For LP order 96OB-CKLP	7-1/2" wide x 98" long x 2" tall	N/A	N/A	N/A

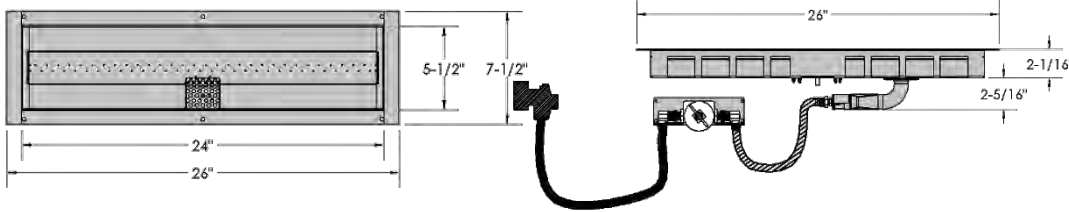
Burner systems may be connected together in series (i.e. OB36MAP & OB48MAP). See **Custom Enclosures** section.

- **LP MANUAL (MAP) VALVE SYSTEMS** ARE SHIPPED WITH ACCOMPANYING ORIFICE FOR NG CONVERSION.
- **MILLIVOLT SYSTEMS** ARE SHIPPED AS NG SYSTEMS (MVN) AND REQUIRE A CONVERSION KIT FOR LP CONVERSION.

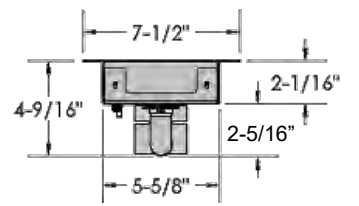
Certified Burners with Label

Dimensions OB24 / OB36 / OB48 / OB72 / OB96 (Outdoor Burners)

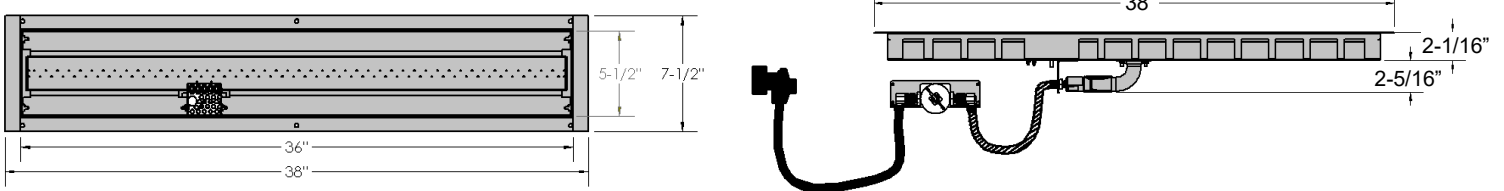
OB24 BURNER



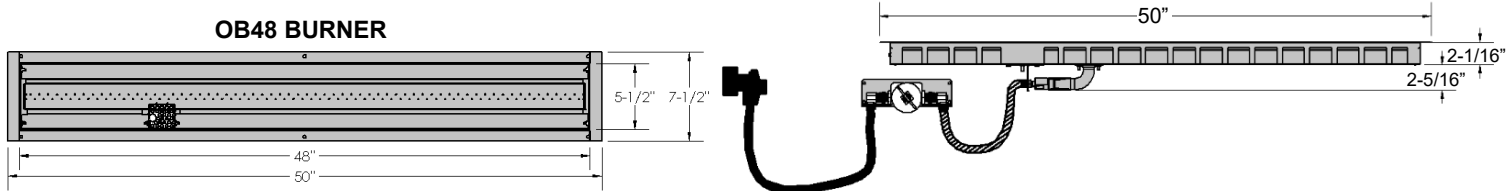
END VIEW- ALL BURNERS



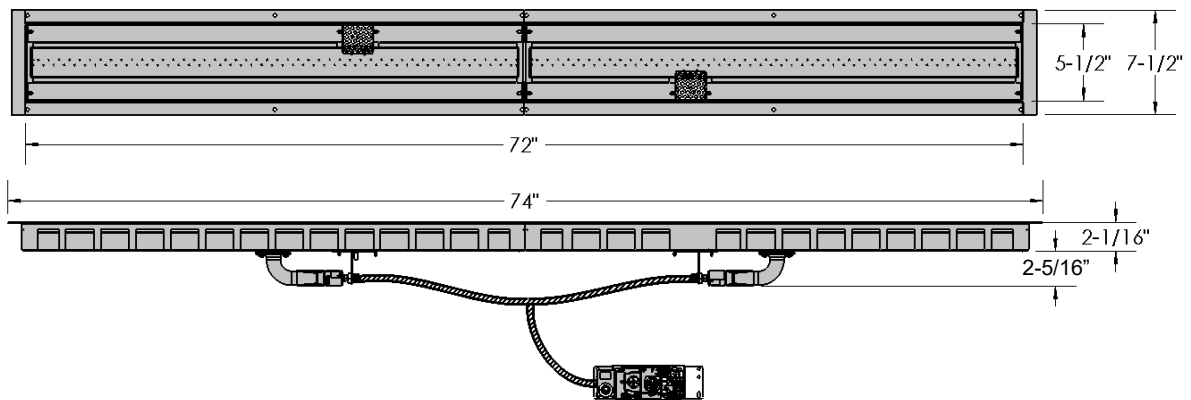
OB36 BURNER



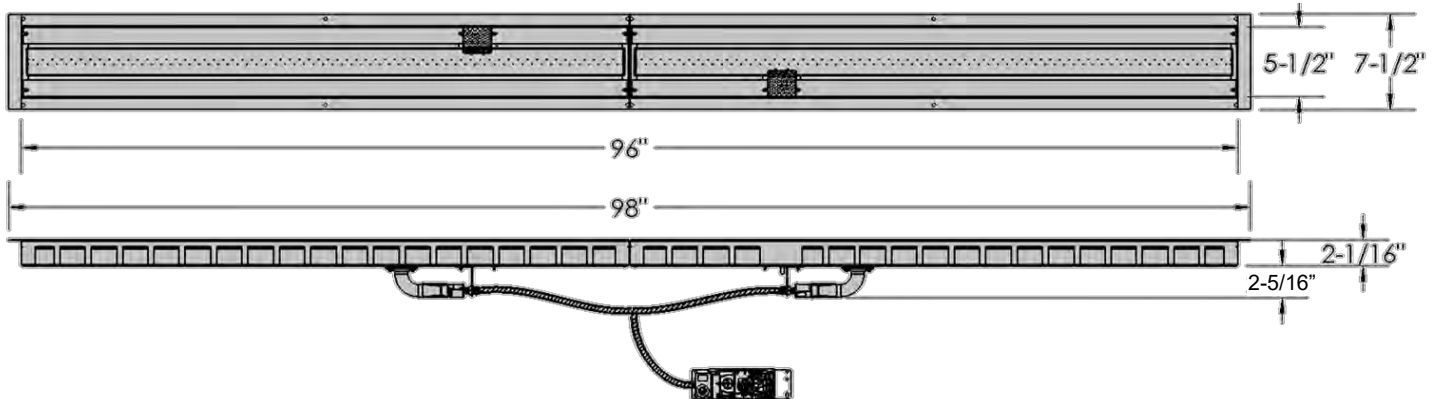
OB48 BURNER



OB72 BURNER



OB96 BURNER



OB Burners – Unpacking and Setup – Manual Valve Systems

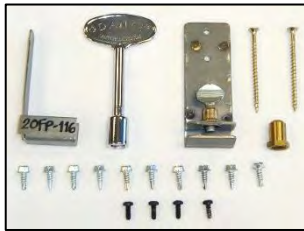


Parts List: OB24 / OB36 / OB48 MAP/MAN

- [1] Burner, c/w [1] Pilot Shield, [2] Ends, [3] Filler Strips
- [1] Manual Valve (c/w Regulator & 5ft Hose for LP Systems)
- [1] Push Button Igniter c/w wire and Sparker
- [1] Igniter Mount Plate
- [1] Valve Key
- [1] Key Way Installation Tool
- [1] Brass Orifice for NG Conversion (LP Systems)
- [1] Tank Retainer (LP Systems)
- Hardware Bag:** [10] 1/2" DT Screws, [4] #6 Black Screws, [2] #10 Woodscrews
- [3] Filler Strips (See Below)

Qty [4] 1/2" DT Screws to attach Valve

Igniter Mount Plate



FILLER STRIPS: 24OB – 23-9/16"
36OB – 35-9/16"
48OB – 47-9/16"

Long Flange Up

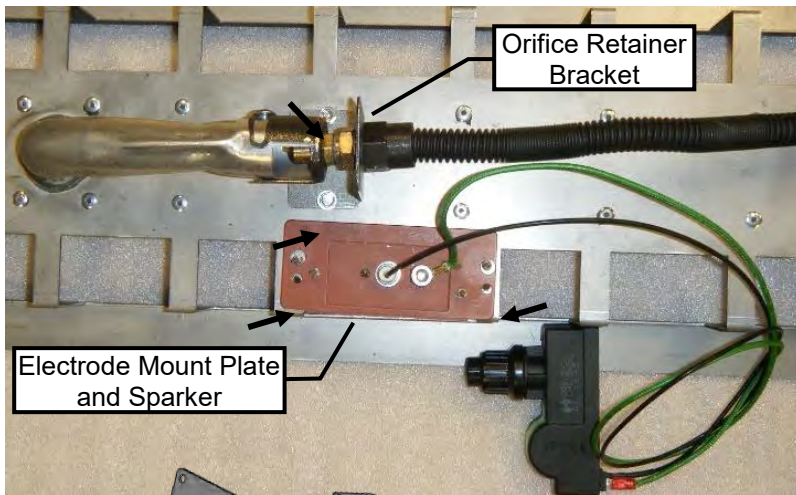
Short Flange Down



24OB – 10-5/8"
36OB – 10-5/8"
48OB – 10-5/8"

24OB – 10-5/8"
36OB – 22-5/8"
48OB – 34-5/8"

STEP 1: Insert Burner Orifice into mixing sleeve and attach Orifice Retainer Bracket with [2] 1/2" DT Screws. Then insert Electrode Mount Plate and Sparker into Burner and install with [2] 1/2" DT Screws.



Orifice Retainer Bracket

Electrode Mount Plate and Sparker

STEP 2: Install Burner with attached Valve System into structure.

For Outdoor Fire Tables (OFT) refer to **OFT Burner Installation Instructions**.

For Outdoor Fireplaces (OFF) refer to **OFF Burner Installation Instructions**.

Refer to **Custom Enclosures** Section for Custom Enclosures.

NOTE: Filler Strips must be installed before media is placed into burner.

STEP 3: Assemble Igniter, add battery (not included) and attach to valve bracket with [2] DT Screws.

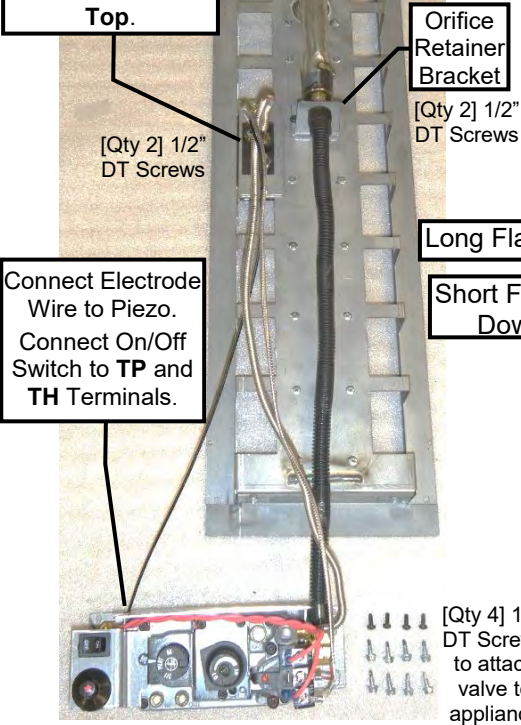
NG Conversion Orifices
(Included with MAP Burners)
OB24MAP - #40
OB36MAP - #31
OB48MAP - #30

Assemble Igniter and attach to Valve

Air Shutter = 1/16" - NG
Air Shutter = Full Open - LP

OB Burners – Unpacking and Setup – Millivolt Valve Systems

Pilot Assembly is installed from bottom of Burner Tray – but **can be serviced from the Top.**



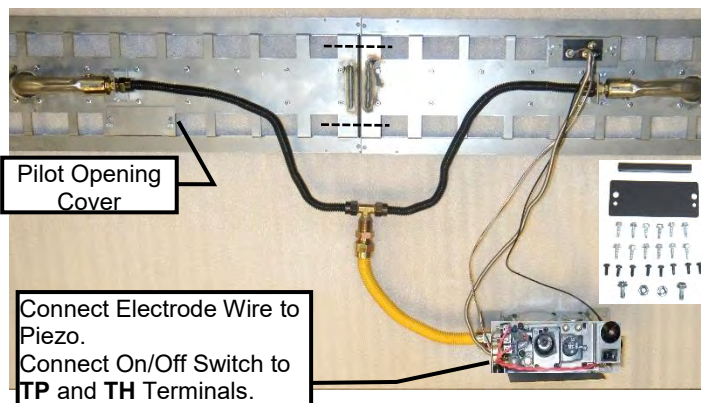
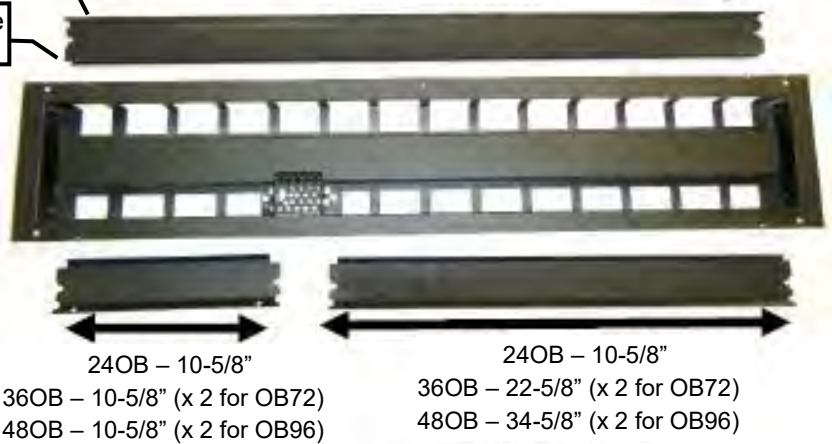
Parts List: OB24 / OB36 / OB48MVN

- [1] Burner, c/w [1] Pilot Shield, [2] Ends, [3] Filler Strips
- [1] Millivolt Valve System (c/w Orifice Assembly and Pilot Assembly)
- [1] Piezo Button Igniter c/w wire and Sparker
- [1] On/Off Rocker Switch (Installed on valve)
- [1] Hardware Bag: [8] 1/2" DT Screws, [4] #6 Black Screws
- [3] Filler Strips (See Below)

FILLER STRIPS: 24OB – 23-9/16"

36OB – 35-9/16" (x 2 for OB72)

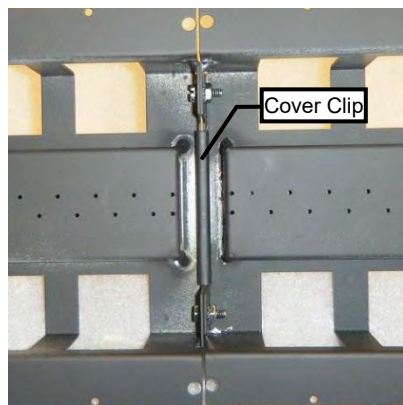
48OB – 47-9/16" (x 2 for OB96)



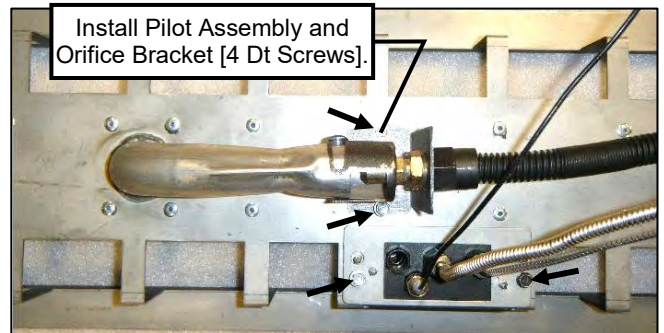
Parts List: OB72 / OB96MVN

- [2] Burners, c/w [2] Pilot Shields, [2] Ends, [6] Filler Strips
- [1] Millivolt Valve System (c/w [2] Orifice Assemblies and [1] Pilot Assembly)
- [1] Piezo Button Igniter c/w wire and Sparker
- [1] On/Off Rocker Switch (installed on valve)
- [1] Pilot Opening Cover
- [1] Hardware Bag: [12] 1/2" DT Screws, [8] #6 Black Screws, [2] 10-24 x 1/2" Bolts c/w Star Nuts
- [6] Filler Strips
- [1] Cover Clip

STEP 1 (For OB72 & OB96 only): Connect Burners using [2] 10-24 x 1/2" bolts. Set Cover Clip over joined burner ends.



STEP 2: Insert Orifice(s) into mixing sleeve(s) and install bracket(s) with [4] 1/2" DT Screws. Then insert Pilot Assembly into one Burner and attach with [2] 1/2" DT Screws. Attach Pilot Opening Cover in the other Burner with [2] 1/2" DT Screws.
Air Shutter = 1/16" - NG
Air Shutter = Full Open - LP



STEP 3: Install Burner with attached Valve System into structure.

For Outdoor Fire Tables (OFT) refer to **OFT Burner Installation Instructions** page.
For Outdoor Fireplaces (OFP) refer to **OFP Burner Installation Instructions** page.
For Custom Enclosures refer to **Custom Enclosures** Section.

NOTE: Filler Strips must be installed before media is placed into burner.

-Custom Enclosures-

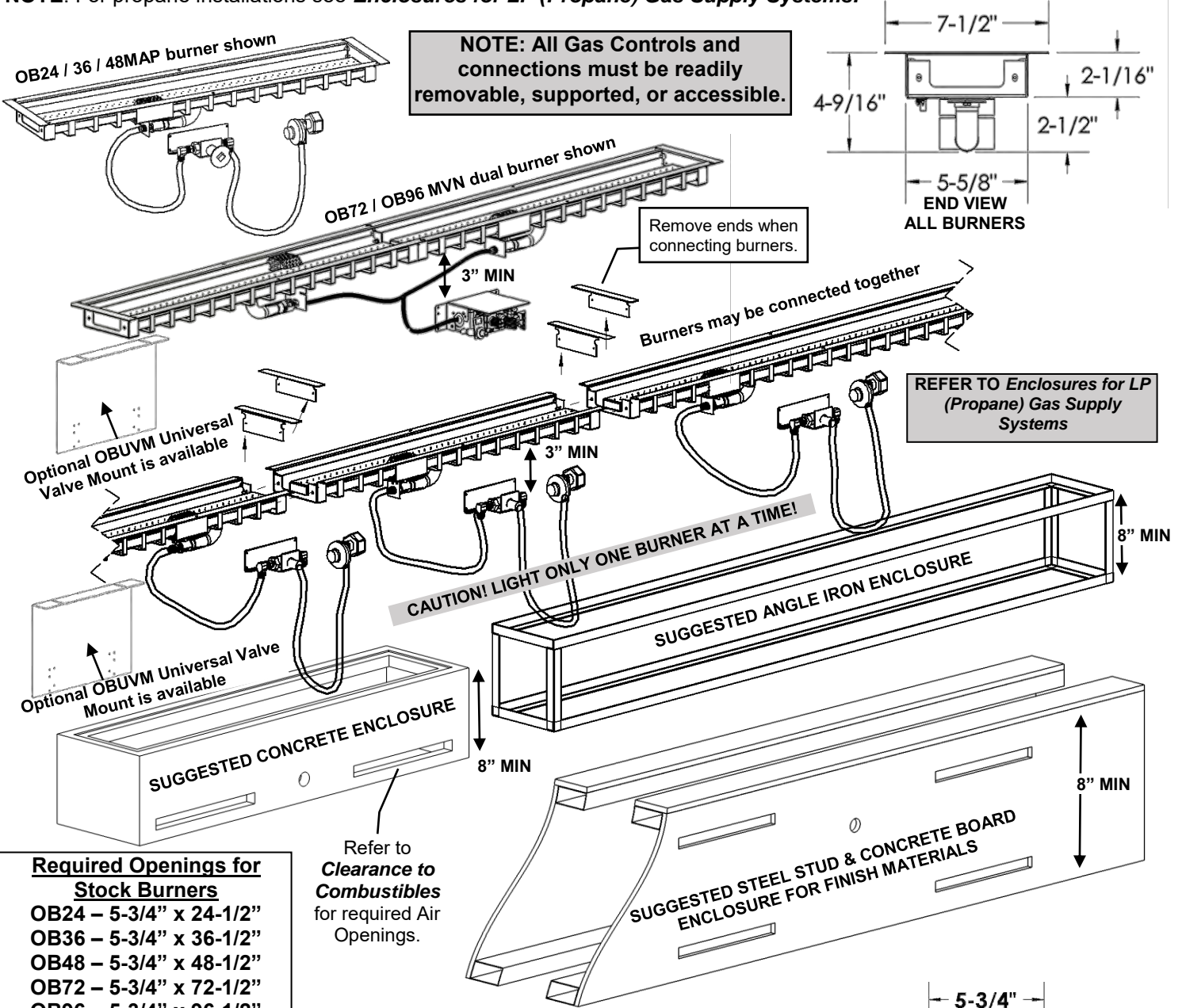
OB24 / 36 / 48 / 72 / 96

(Must be non-combustible)

Multiple burners can be connected together in series. **ENCLOSURES MUST BE NON-COMBUSTIBLE.** Enclosures shown are suggestions only. Refer to **Clearance to Combustibles** section of manual.

NOTE: all manual valve systems are shipped as LP systems (MAP) with accompanying orifice for NG conversion. All millivolt valve systems are shipped as NG systems (MVN) and require a conversion kit for LP conversion.

NOTE: For propane installations see **Enclosures for LP (Propane) Gas Supply Systems.**

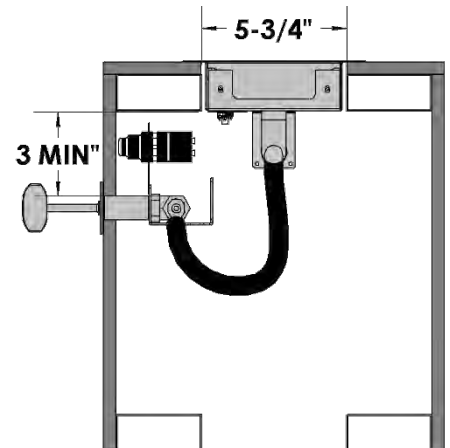
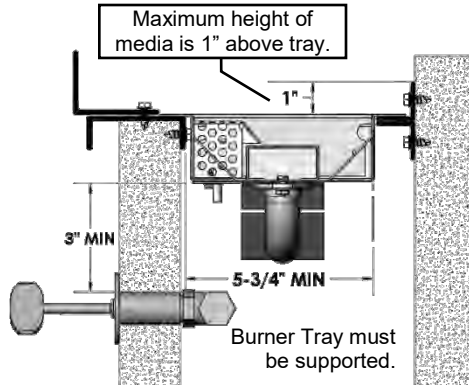


Required Openings for Stock Burners

- OB24 – 5-3/4" x 24-1/2"
- OB36 – 5-3/4" x 36-1/2"
- OB48 – 5-3/4" x 48-1/2"
- OB72 – 5-3/4" x 72-1/2"
- OB96 – 5-3/4" x 96-1/2"

Burners may be connected together in any combination. When connecting burners together, add lengths of burners (24", 36", 48", 72", 96") plus 1/2" for total opening length (e.g. 24" + 72" + 24" + 1/2" = 120-1/2").

NOTE: Flame height will be noticeably higher on **OB48** burners. This can be manually adjusted.

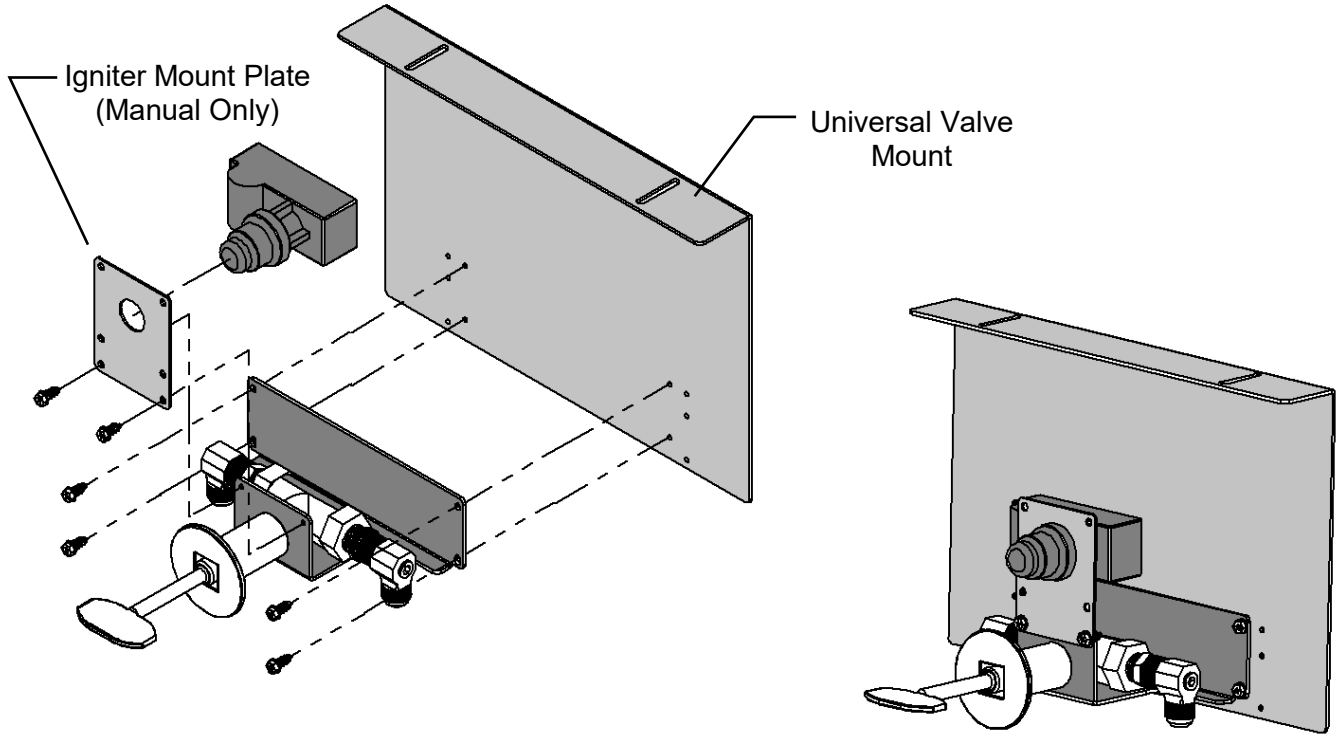


OBUVM – Universal Valve Mount -OB24 / OB36 / OB48 / OB72 / OB96-

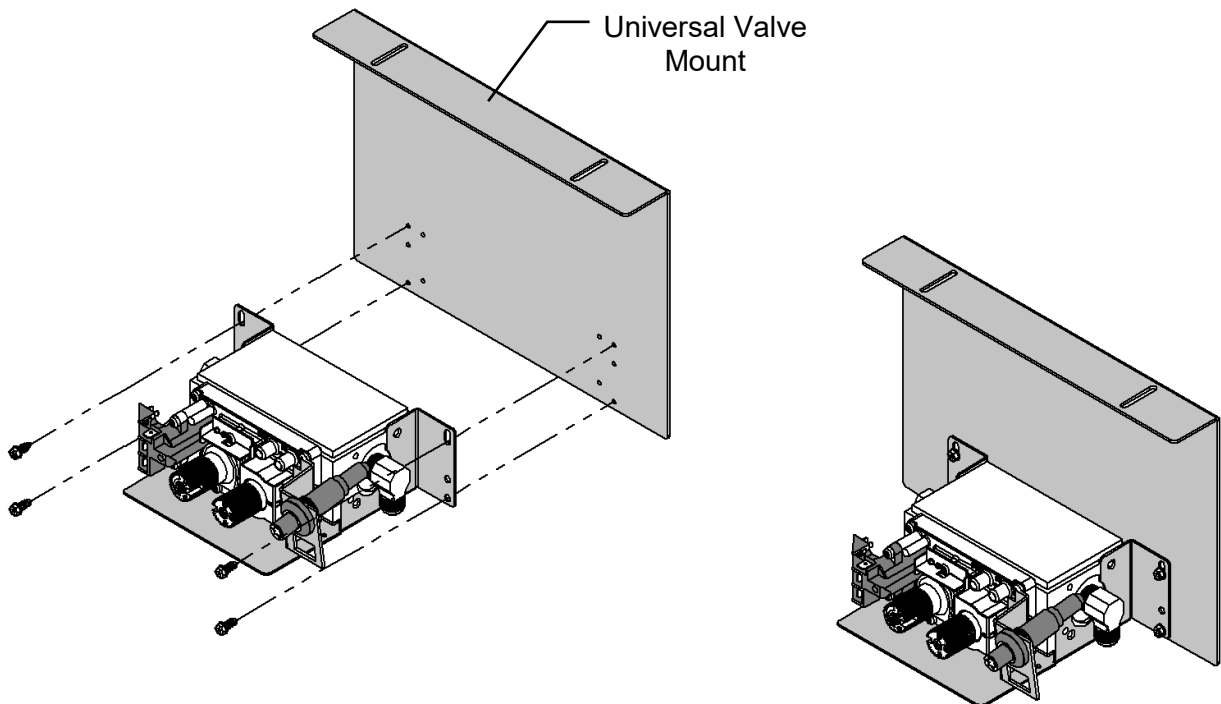
OBUVM Universal Valve Mount can be used to mount either the millivolt or manual valve in a custom enclosure.

Parts Included: [Qty 6] DT Screws, Universal Valve Mount

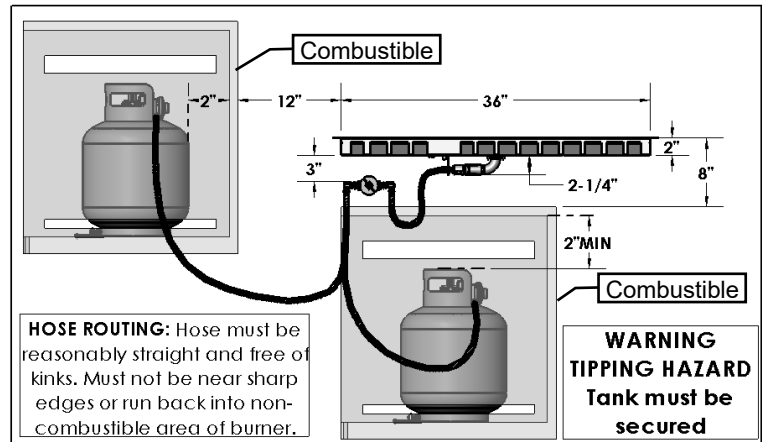
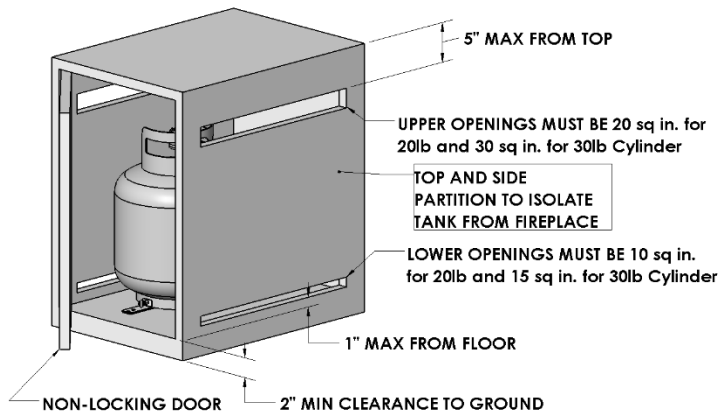
Manual Valve Systems:



Millivolt Valve Systems:



Enclosures for LP (Propane) Gas Supply Systems



If you build an enclosure for an LP gas cylinder you must follow these specifications. You must also follow local codes.

An enclosure for an LP-gas cylinder shall be ventilated by openings at both the upper and lower levels of the enclosure. This shall be accompanied by one of the following:

- a. One side of the enclosure shall be completely open; or
- b. For an enclosure having four sides, a top, and a bottom:
 1. At least two ventilation openings shall be provided in the sidewalls of the enclosure, located within 5 in (217 mm) of the top of the enclosure, equally sized, spaced at a minimum of 90 degrees (1.57 rad), and unobstructed. The opening(s) shall have a total free area of not less than 1 square inch per pound (14.2 cm²/kg) of stored fuel capacity.
 2. Ventilation opening(s) shall be provided at floor level of the enclosure and shall have a total free area of not less than 1/2 square inches per pound (7.1 cm²/kg) of stored fuel capacity. If ventilation openings at floor level are in a sidewall, there shall be at least two openings. The bottom of the openings shall be 1 in (25.4 mm) or less from the floor level and the upper edge no more than 5 in (127 mm) above the floor level. The openings shall be equally sized, spaced at a minimum of 90 degrees (1.57 rad), and unobstructed.
 3. Every opening shall have minimum dimensions so as to permit the entrance of a 1/8 in (3.2 mm) diameter rod.
 4. Ventilation openings in sidewalls shall not communicate directly with other enclosures of the appliance.

The cylinder valve shall be readily accessible for hand operation. A door on the enclosure to gain access to the cylinder valves is acceptable, provided it is non-locking and can be opened without the use of tools. Designs using a cover to gain access to the cylinder and cylinder valve shall be provided with handles or equivalent at a minimum of 180 degrees apart to facilitate lifting of the cover.

The enclosure for the LP-gas cylinder shall isolate the cylinder from the burner compartment to provide:

- a. Shielding from radiation;

- b. A flame barrier; and
- c. Protection from foreign material.

There shall be a minimum clearance of 2 in (50.8 mm) between the floor of the non-disposable LP-gas cylinder enclosure and the ground.

The design of the fireplace shall be such that:

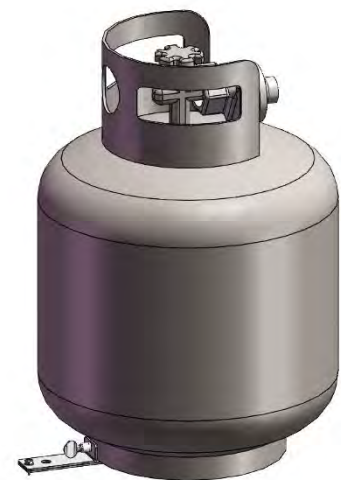
- a. A non-disposable LP-gas cylinder can be connected, disconnected, and the connections inspected and tested outside the cylinder enclosure; and
- b. Those connections which could be disturbed when installing the cylinder in the enclosure can be leak tested inside the enclosure.

Be certain to mount or set the LP-gas cylinder on a flat stable surface and retain it to prevent it from tipping. Purge the gas supply line of any trapped air prior to the first firing of the unit.

WARNING: During the initial purging and subsequent lightings, NEVER allow gas valve to remain in "OPEN" position without first placing a burning match on the top of the burner.

Test fire the unit after referring to the SAFETY INFORMATION and LIGHTING INSTRUCTIONS.

If LP-Gas outdoor fire pits are used continuously after a couple of hours, you could see the possibility of the flame decreasing in size. If this happens, turn off the control valve and the tank valve and wait a couple of hours before lighting again or switch propane tanks. The propane tank is freezing up due to the volume of gas being taken out of the tank.



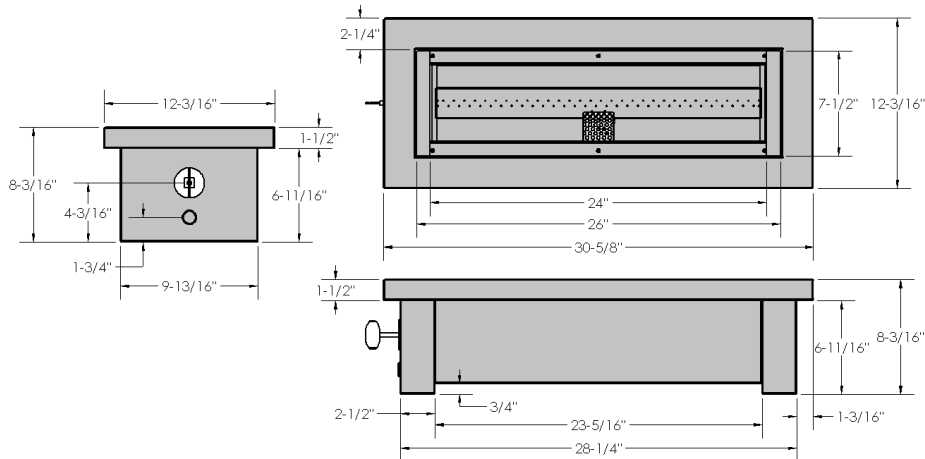
LP cylinder with retention device attached.

Fire Stands – Approved Accessory

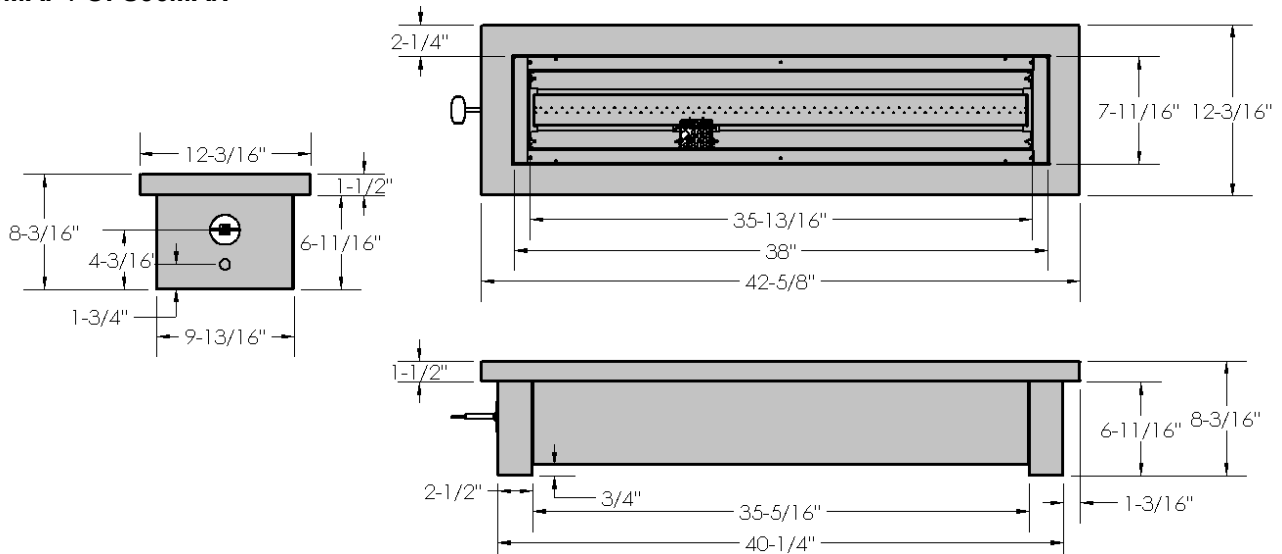
OFS Series Dimensions (Outdoor Fire Stand)

NOTE: OFS24 / 36 / 48 can be placed into a non-combustible custom enclosure provided air openings are provided as specified in *Locating Your Appliance – Minimum Clearances to Combustibles- Burners / Fire Stands / Tables* section, and Valve and Igniter must be accessible.

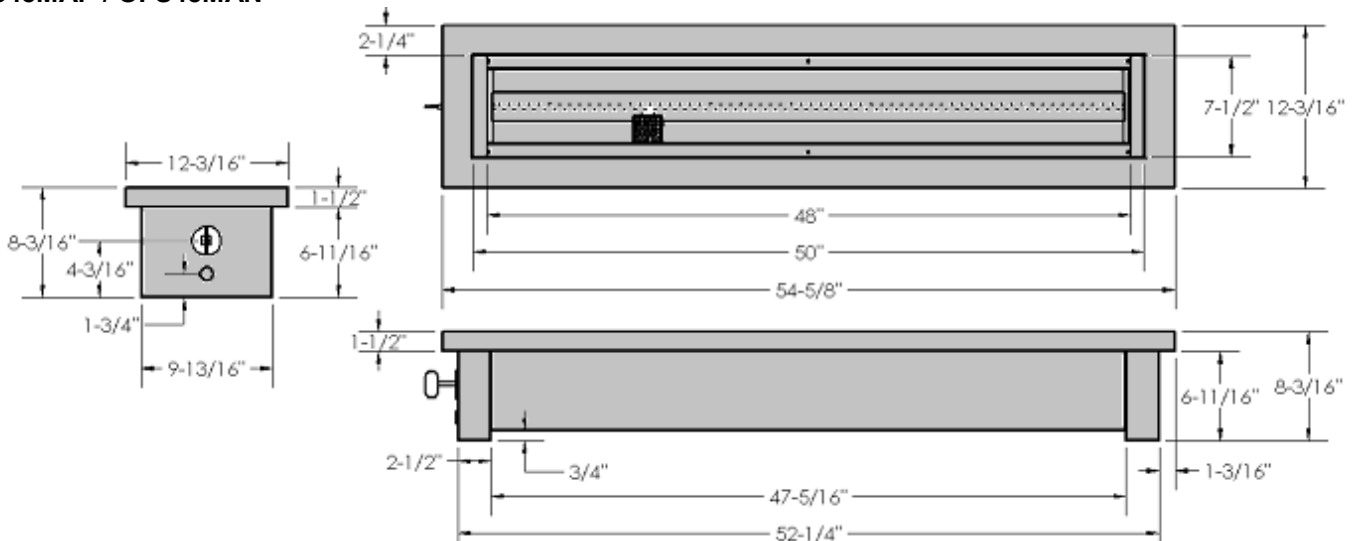
OFS24MAP / OFS24MAN



OFS36MAP / OFS36MAN



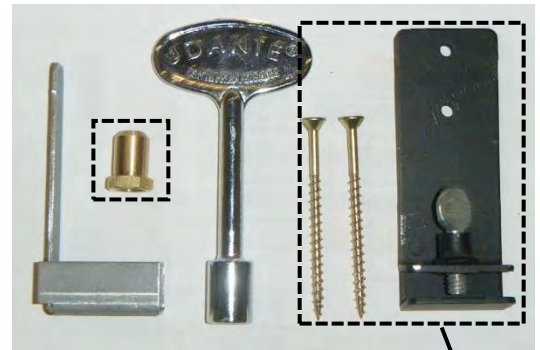
OFS48MAP / OFS48MAN



OFS Outdoor Fire Stands – Unpacking and Setup

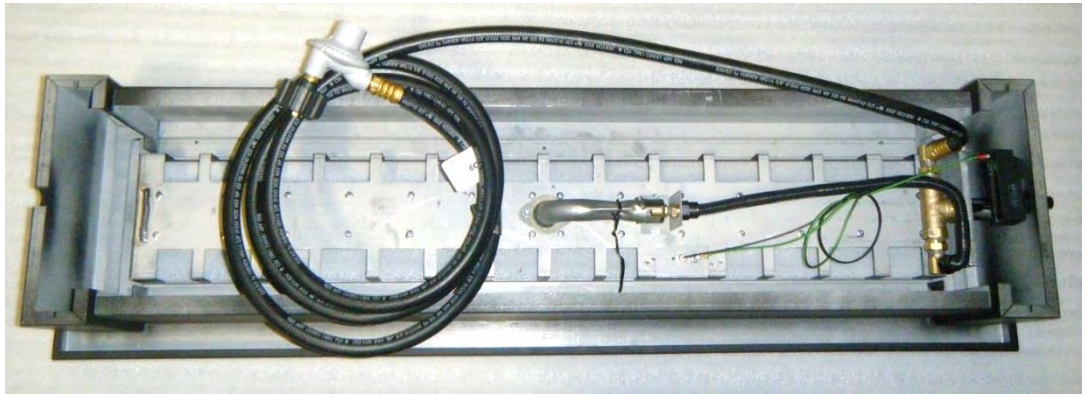
Parts List: OFS24 / OFS36 / OFS48 – MAP/MAN

- [1] OFS Outdoor Fire Stand c/w Burner, Valve System and 10ft LP Hose & Regulator (Installed)
- [3ea] Filler Strips
- [1] Push Button Igniter (AAA Battery not included) c/w Wire and Sparker (Installed)
- [1] Valve Key
- [1] Key Way Installation Tool
- [1] Brass Orifice for NG Gas Conversion (LP Systems)
- [1] Tank Retainer, [2ea] Wood Screws (LP Systems)

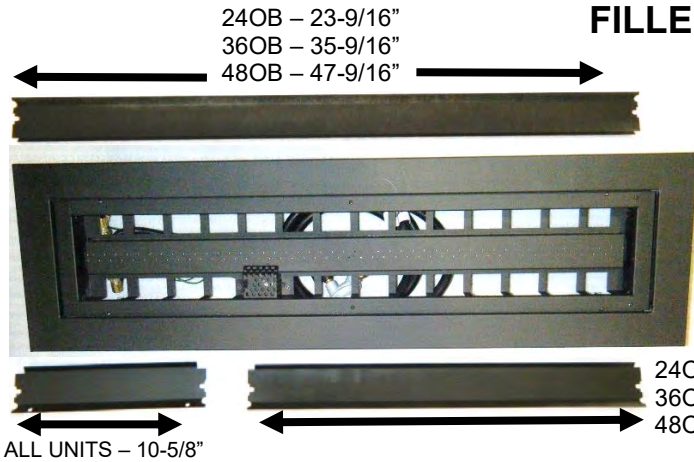


INCLUDED WITH MAP (PROPANE) BURNER SYSTEMS ONLY

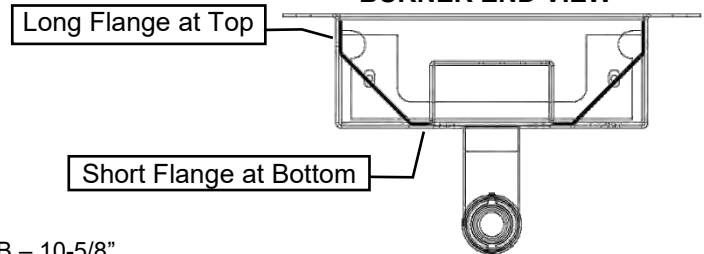
OFS Bottom View (MAP System Shown)



FILLER STRIPS:



BURNER END VIEW

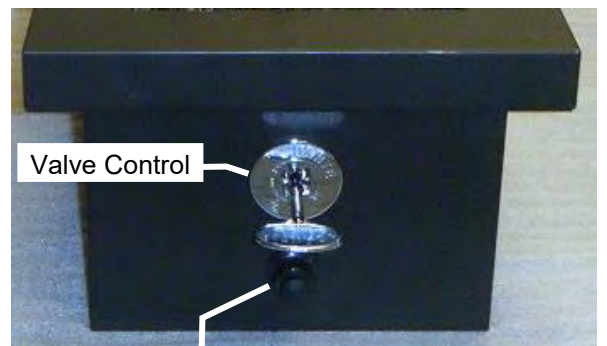


OFS24 Shown – Ready for Media Placement.



See Media Section of Manual for Options.

END VIEW – Outdoor Fire Stand



Push Button Igniter – Unscrew and insert AAA Battery here.

Fire Tables –Approved Accessory

OLTN24 and OLTW24 Dimensions (Outdoor Fire Table) – OB24WG Wind Guard is required.

Refer to *Locating Your Appliance –Minimum Clearances to Combustibles- Burners / Fire Stands / Tables* section for safe placement of this appliance.

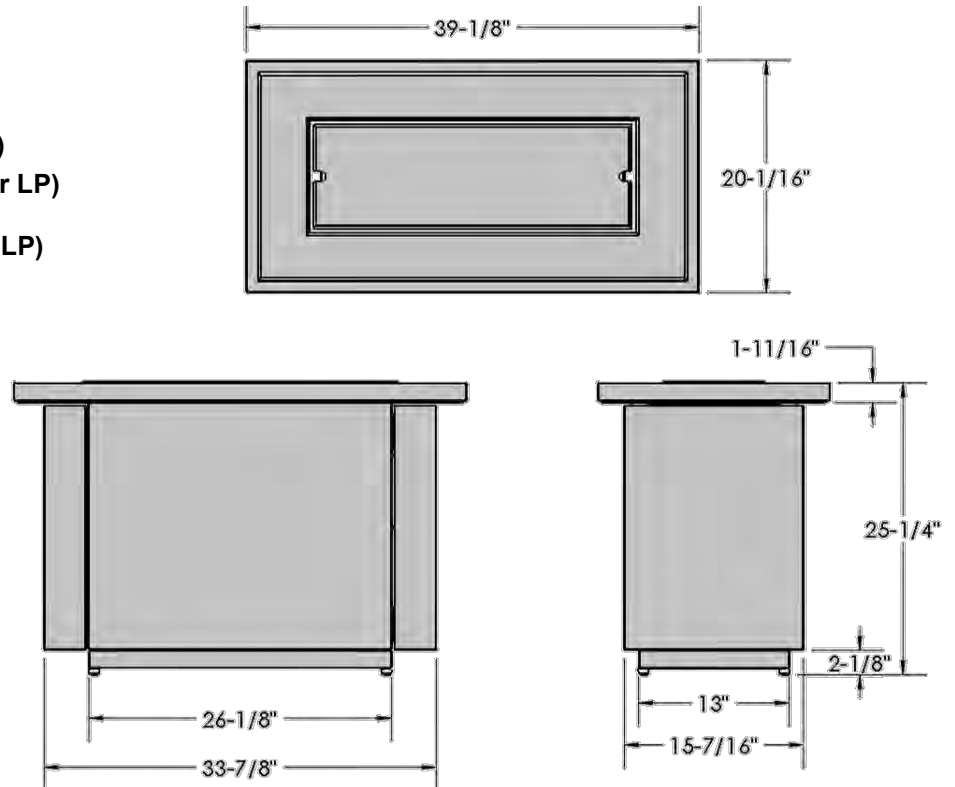
OLTN24

BURNER OPTIONS:

OB24MAP (c/w #40 Orifice for NG)

OB24MAN (Order 24OB-CKLP5 for LP)

OB24MVN (Order 24OB-CKLP for LP)



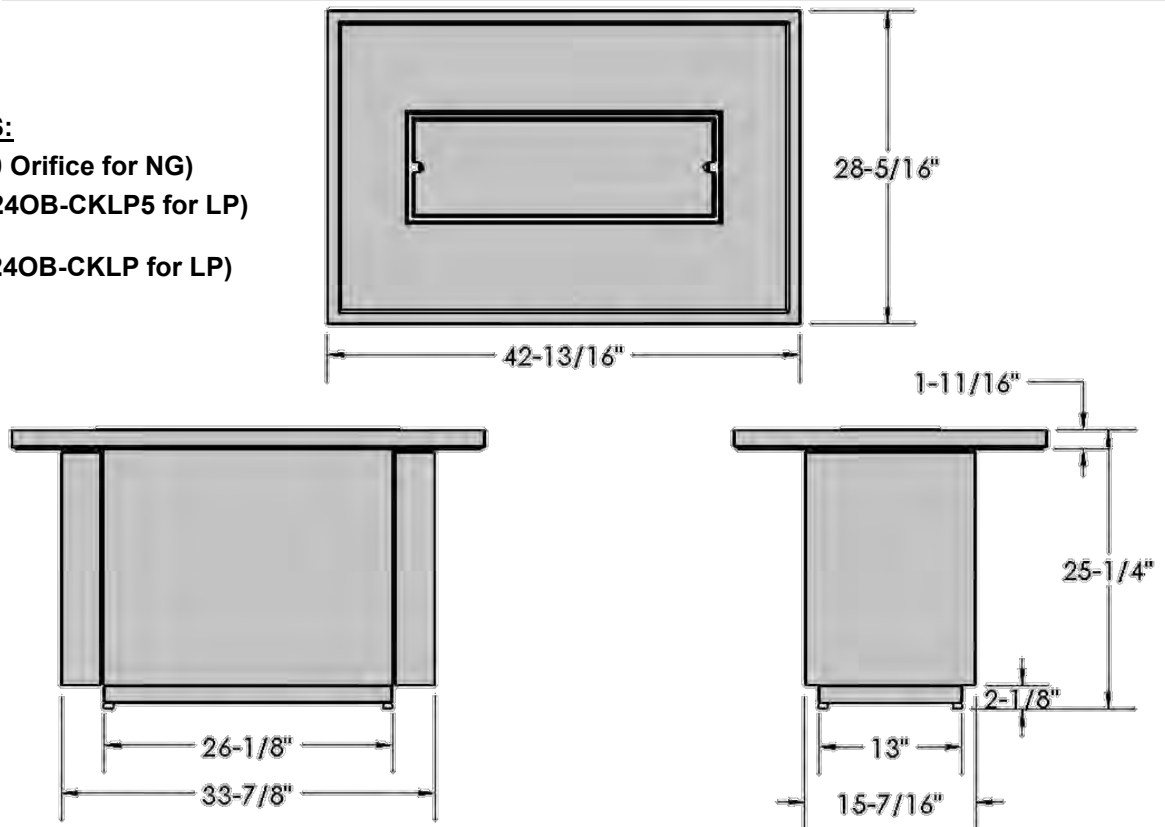
OLTW24

BURNER OPTIONS:

OB24MAP (c/w #40 Orifice for NG)

OB24MAN (Order 24OB-CKLP5 for LP)

OB24MVN (Order 24OB-CKLP for LP)



Fire Tables –Approved Accessory

OLTN36 and OLTW36 Dimensions (Outdoor Fire Table) – OB36WG Wind Guard is required.

Refer to *Locating Your Appliance –Minimum Clearances to Combustibles- Burners / Fire Stands / Tables* section for safe placement of this appliance.

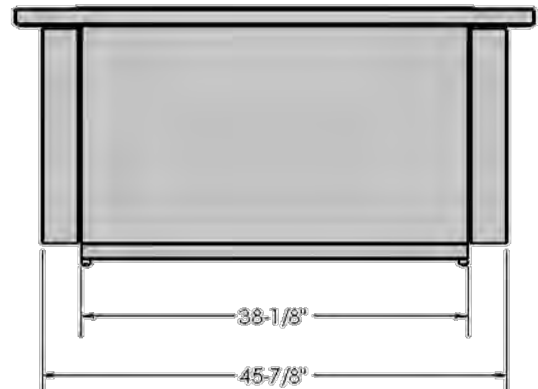
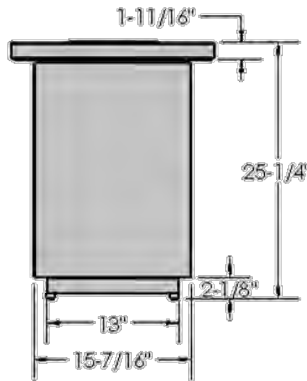
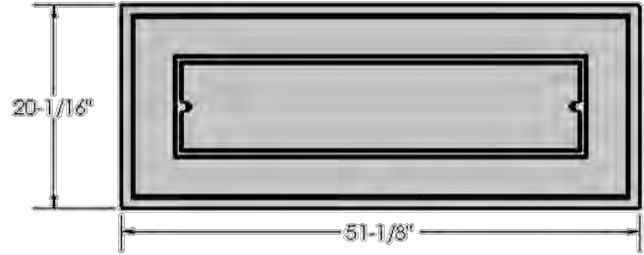
OLTN36

BURNER OPTIONS:

OB36MAP (c/w #31 Orifice for NG)

OB36MAN (Order 36-48OB-CKLP5 for LP)

OB36MVN (Order 36OB-CKLP for LP)



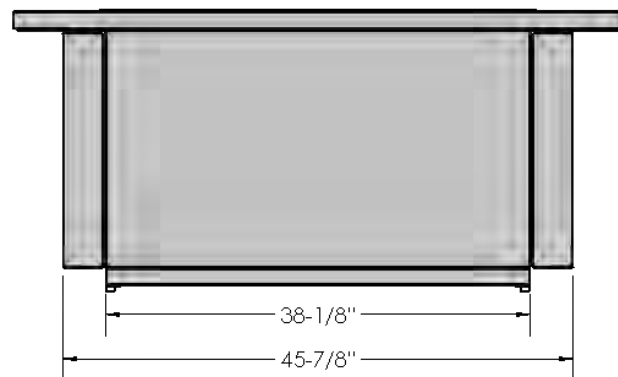
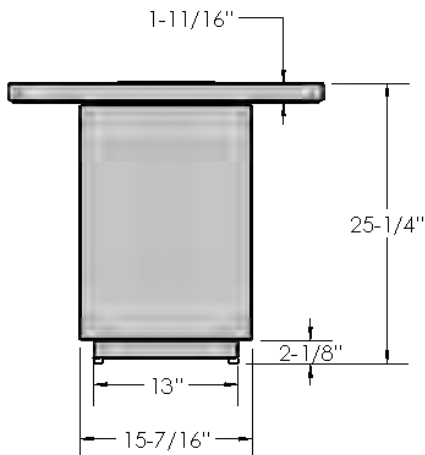
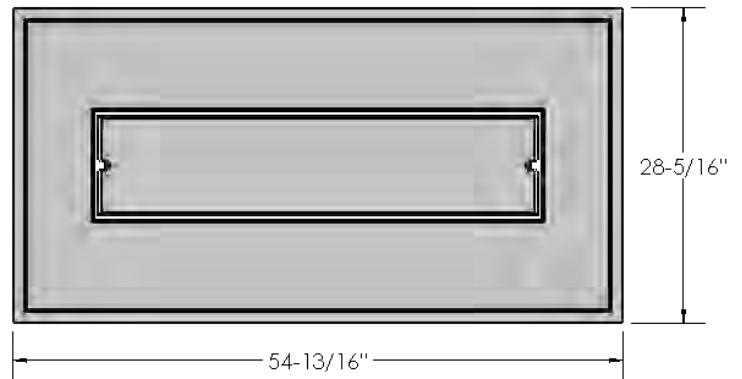
OLTW36

BURNER OPTIONS:

OB36MAP (c/w #31 Orifice for NG)

OB36MAN (Order 36-48OB-CKLP5 for LP)

OB36MVN (Order 36OB-CKLP for LP)



Fire Tables –Approved Accessory

OLTN48 and OLTW48 Dimensions (Outdoor Fire Table) – OB48WG Wind Guard is required.

Refer to *Locating Your Appliance –Minimum Clearances to Combustibles- Burners / Fire Stands / Tables* section for safe placement of this appliance.

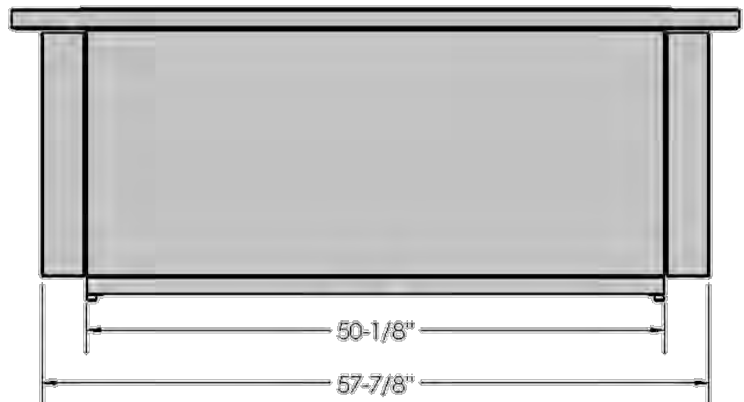
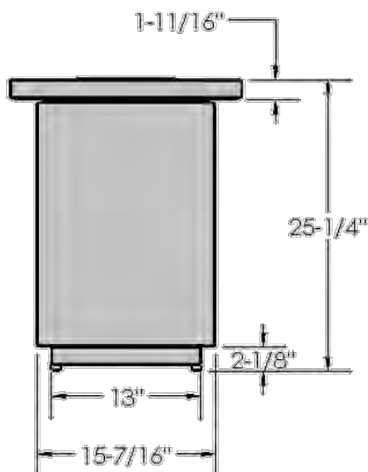
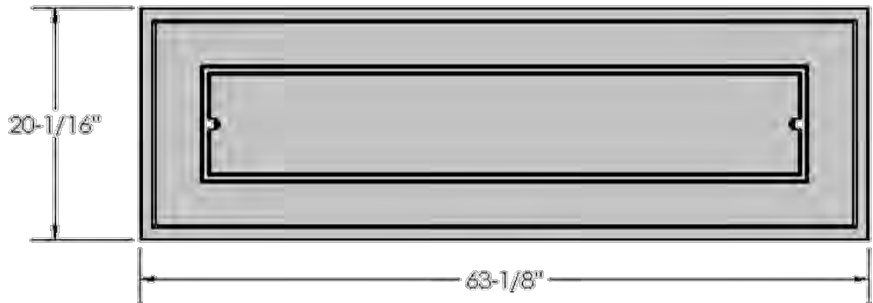
OLTN48

BURNER OPTIONS:

OB48MAP (c/w #30 Orifice for NG)

OB48MAN (Order 36-48OB-CKLP5 for LP)

OB48MVN (Order 48OB-CKLP for LP)



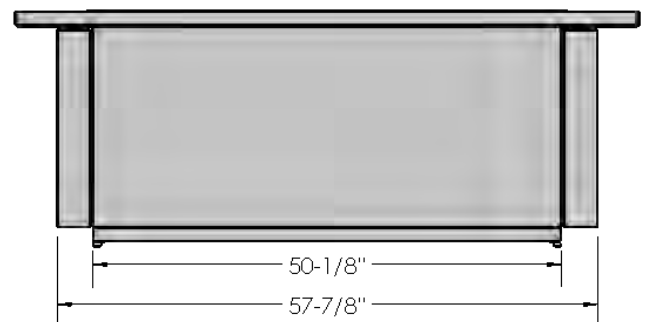
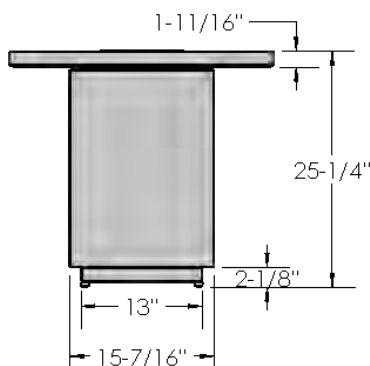
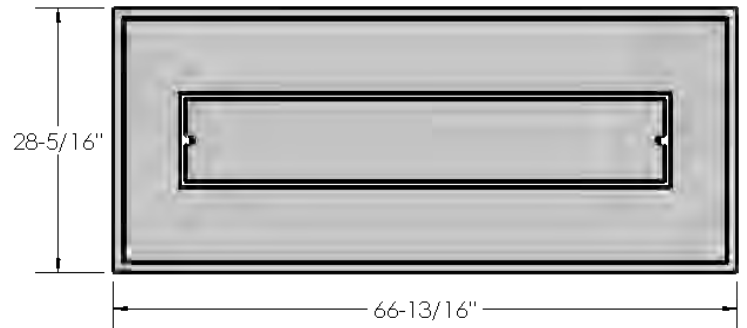
OLTW48

BURNER OPTIONS:

OB48MAP (c/w #30 Orifice for NG)

OB48MAN (Order 36-48OB-CKLP5 for LP)

OB48MVN (Order 48OB-CKLP for LP)

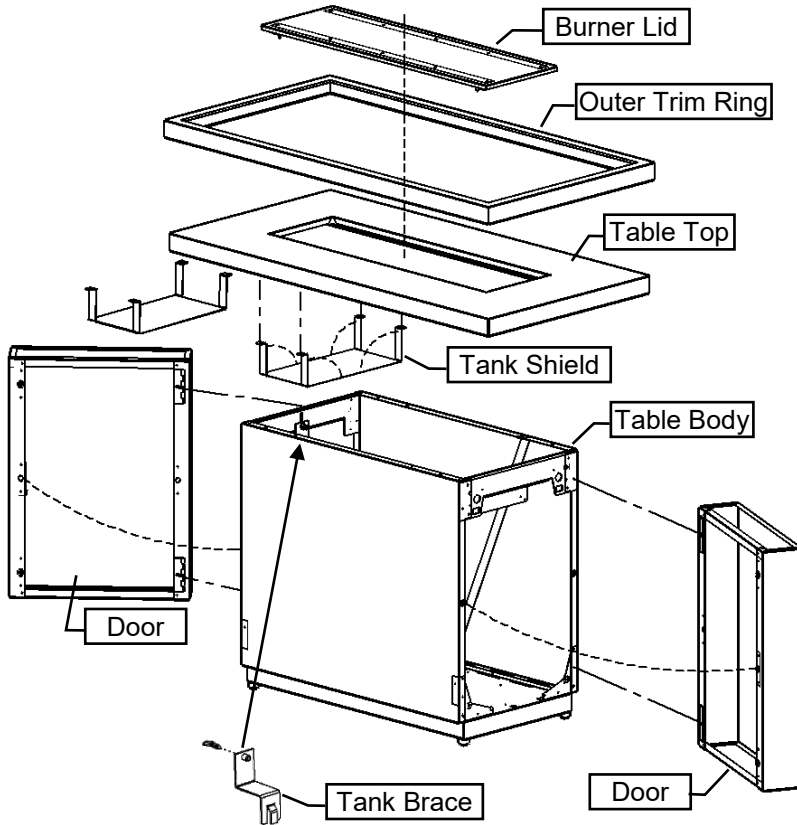


Fire Tables -Assembly-

OUTDOOR FIRE TABLES: OLTN24, OLTW24, OLTN36, OLTW36, OLTN48, OLTW48

Tools Required: 1/4" Hex Driver c/w 4" Extension or 1/4" Hex Screwdriver

NOTE: Two people are required to lift this assembly.



Parts List:

BOX 1:

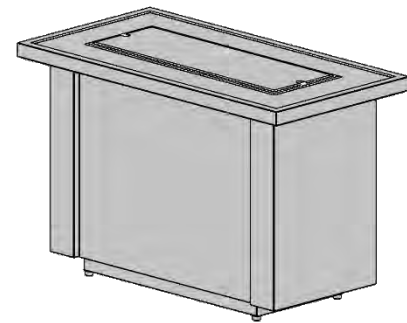
- [1ea.] Burner Lid
- [1ea.] Outer Trim Ring
- [1ea.] Table Top
- [1ea.] Tank Shield, [2ea.] for 36" & 48"

BOX 2:

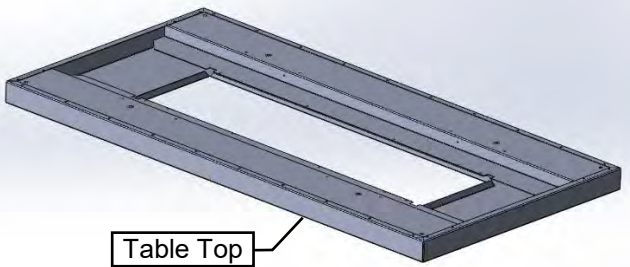
- [1 ea.] Table Body
- [2 ea.] Door
- [1 ea.] Tank Brace

Hardware:

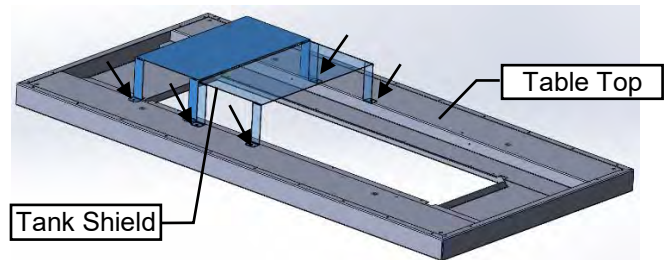
- [8 ea.] DT Screws, [12ea.] for 36" & 48"
- [4 ea.] Bolts 8-32 x 1", [6ea.] for 36" & 48"



Step One: Lay Table Top upside down on a flat non-abrasive surface.



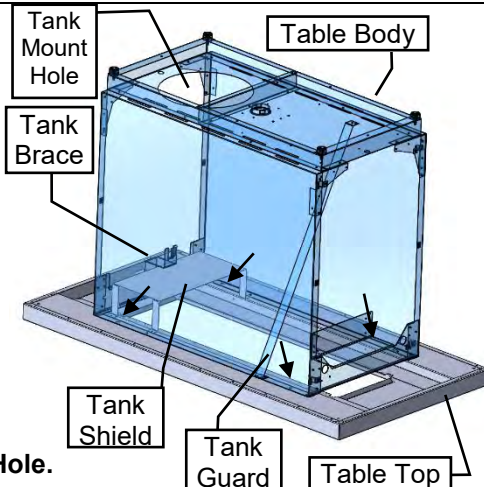
Step Two: Form Tank Shield into shape and attach to one end of Table Top with [4] DT Screws. **NOTE: There will be two Tank Shields for 36" and 48" models.**



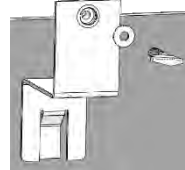
Step Three:

Carefully place Table Body onto Table Top and attach with [4 or 6] bolts.

NOTE: Tank Brace & Tank Shield must be on the same side as the Tank Mount Hole.

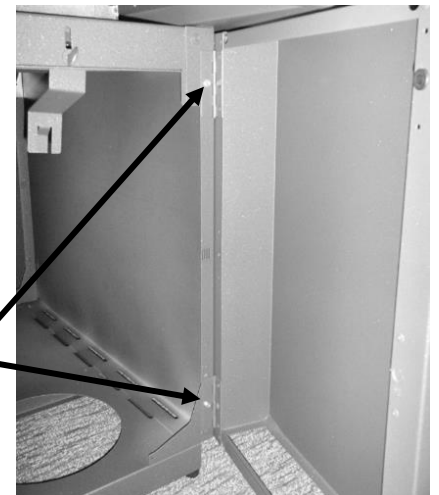


Step Four: Install Tank Brace with Washer and Thumbscrew.



Carefully lift and place Fire Table upright. Install Doors using [2] DT Screws each.

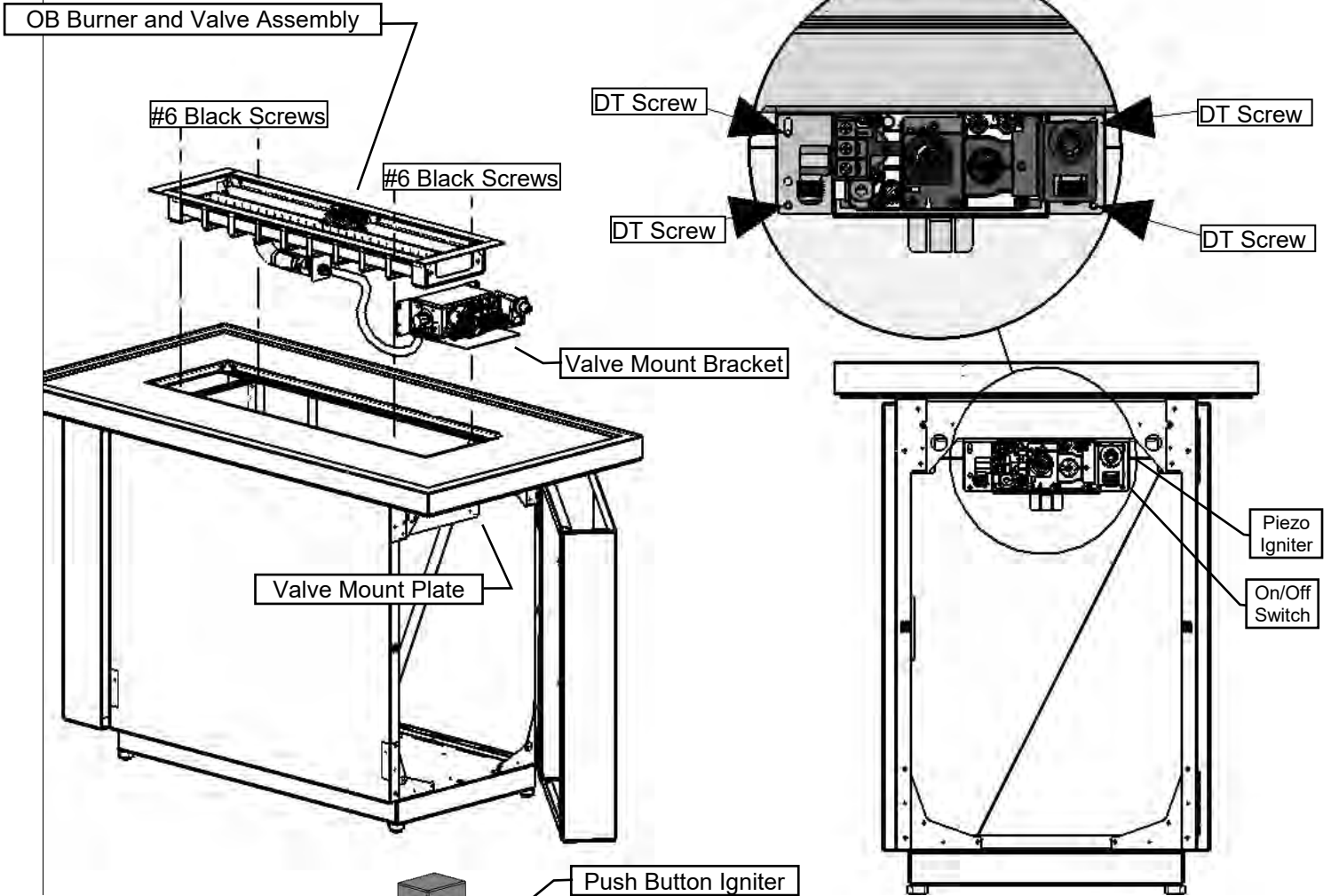
NOTE: Doors may be installed on either left or right side.



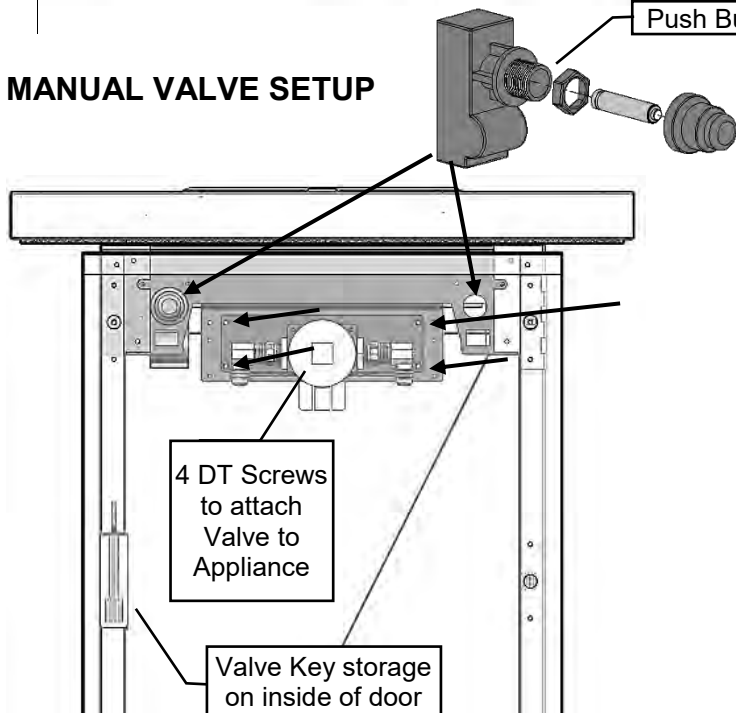
OLTN and OLTW Burner Installation

Step Five: Prepare OB Burner for Installation: *Refer to OB Burners – Unpacking and Setup* for instructions.

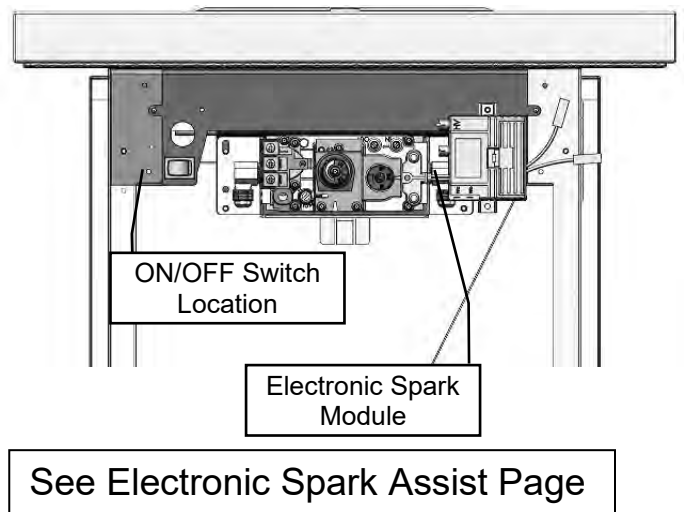
Place Burner and Valve assembly into opening in table top. Attach **Valve Mount Bracket** on valve to **Mount Plate** on table.



MANUAL VALVE SETUP

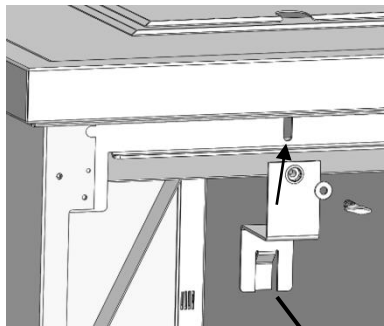


OPTIONAL ELECTRONIC SPARK ASSIST



20lb Cylinder Installation - Fire Table - Custom Installations

Fire Tables -20LB Cylinder In Unit-



Tank Brace

Installation of 20lb Cylinder into Fire Tables:

- Remove Top Clamp.
- Connect 20lb cylinder to regulator.
- Place 20lb cylinder into Fire Table as shown.
- Secure 20lb cylinder with Tank Brace as shown.



Foot Ring Drops into Round Hole



Replace Tank Brace. Slide over Protective Collar of 20lb cylinder and tighten.

⚠ Only a 20LB LP Cylinder may be used inside the Fire Table Enclosure.

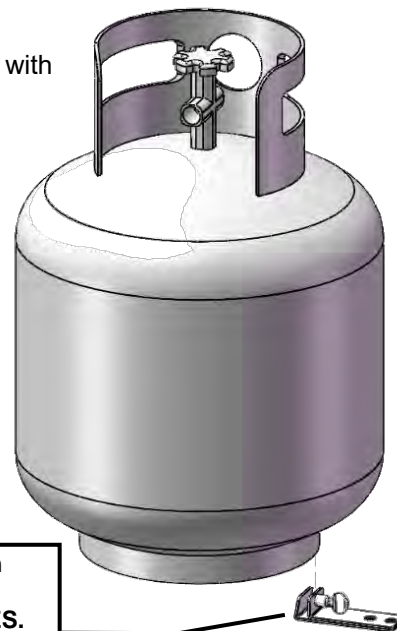
NOTE: Cylinders acceptable for use inside this appliance must be compatible with the retention means shown here.

- The LP gas supply cylinder used with LP models must be constructed and marked in accordance with the specifications for LP-gas cylinders of the U.S. Department of Transportation (DOT) *Specifications for LP-Gas Cylinders, or the Standard for Cylinders, Spheres and Tubes for Transportation of Dangerous Goods and Commission, CAN/CSA-B339*, as applicable.
- The LP gas supply cylinder used with LP models must be provided with a listed overfilling prevention device.
- The pressure regulator and hose assembly supplied with LP models (PN# **27FP-900FF**) must be used. Replacement pressure regulators and hose assemblies must be those specified in this manual.
- Always check for gas leaks with a soap and water solution. **DO NOT USE OPEN FLAME FOR LEAK TESTING.**
- When an LP model is not in use, the LP-gas must be turned off at the supply cylinder.

CUSTOM INSTALLATIONS

TANK RETAINER - Included with all MAP Burners and LP Conversion Kits

1. Connect foot ring of 20lb Cylinder to Tank Retainer with thumbscrew.
2. Fasten Tank Retainer to mounting surface.
3. Concrete anchor required for concrete surface (not supplied).

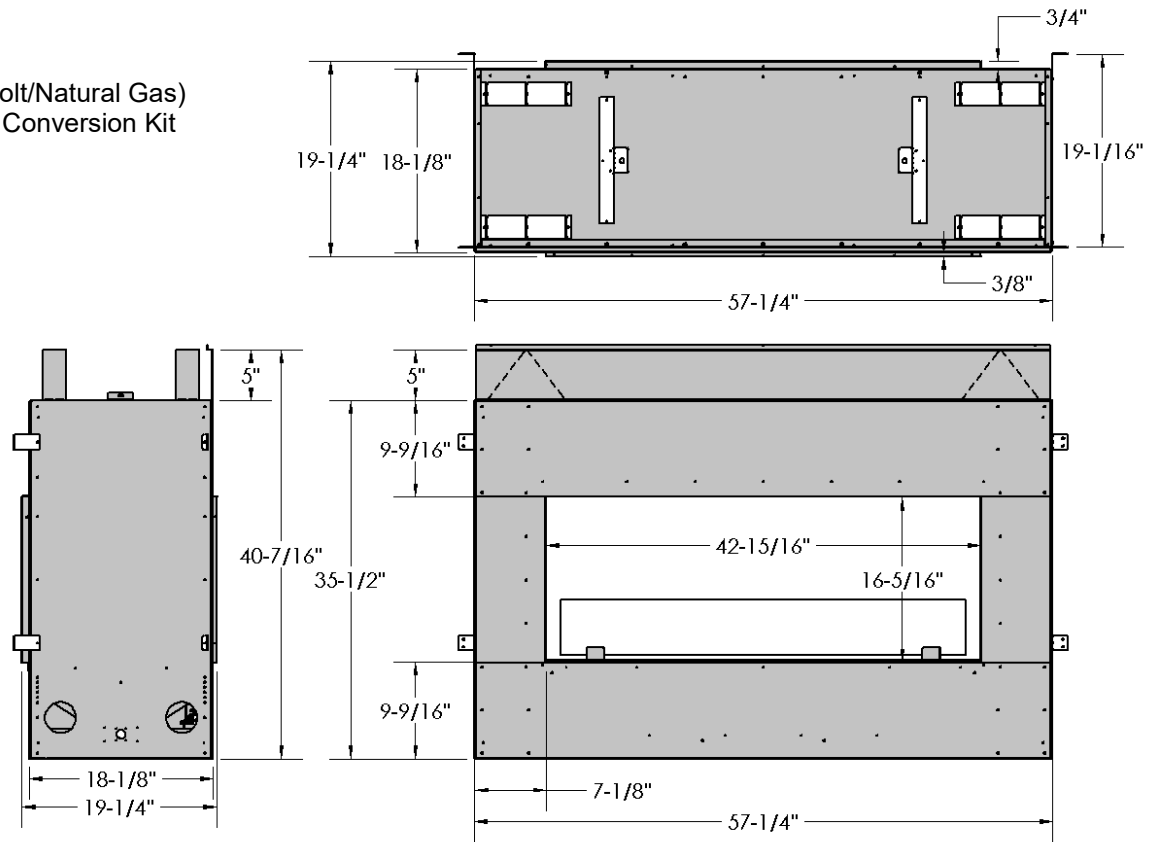


Tank Retainer for Custom Installations. NOT USED ON FIRE TABLES.

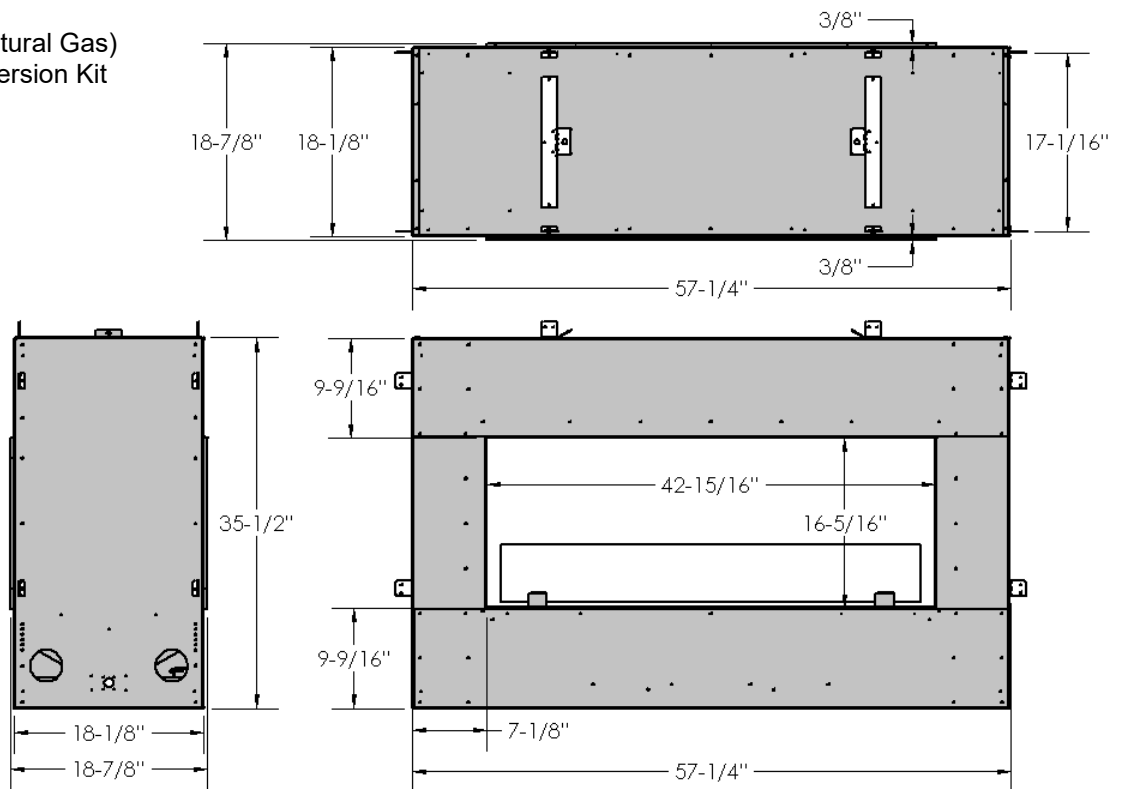
Outdoor Fireplaces

OFP4336S1 and OFP4336S2 Dimensions (Outdoor Fire Place)

OFP4336S1 (Millivolt/Natural Gas)
Convert to LP with Conversion Kit
36OB-CKLP



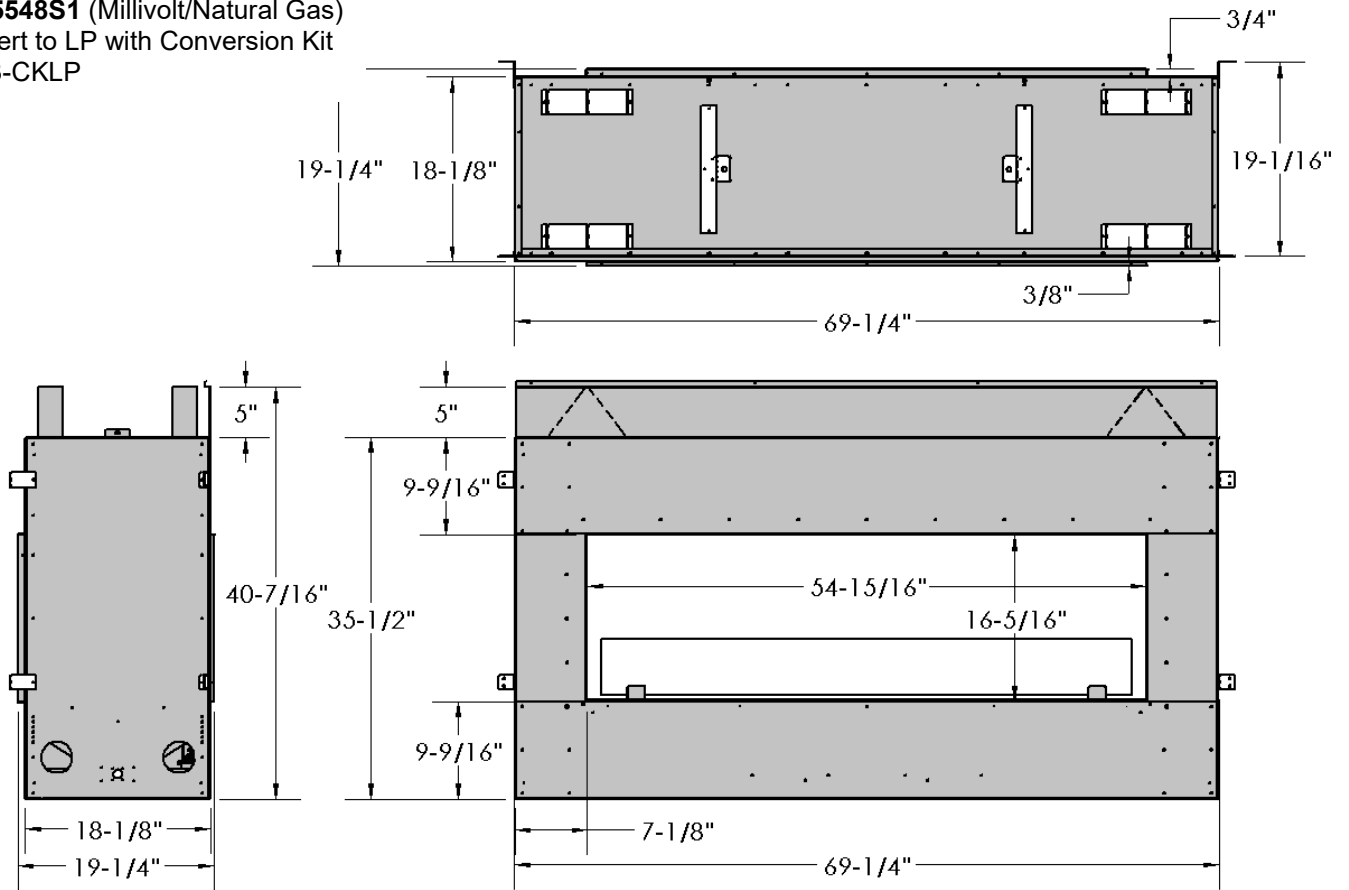
OFP4336S2 (Millivolt/Natural Gas)
Convert to LP with Conversion Kit
36OB-CKLP



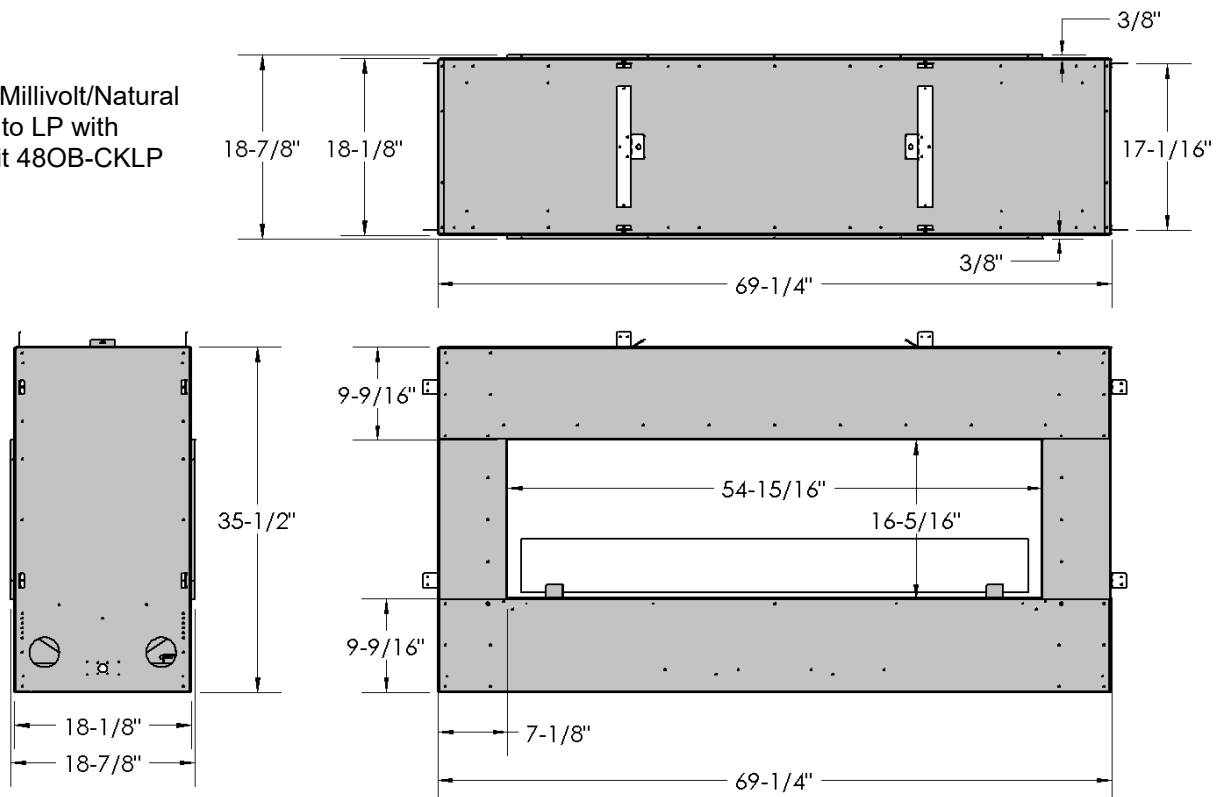
Outdoor Fireplaces

OFP5548S1 and OFP5548S2 Dimensions (Outdoor Fire Place)

OFP5548S1 (Millivolt/Natural Gas)
Convert to LP with Conversion Kit
48OB-CKLP



OFP5548S2 (Millivolt/Natural Gas)
Convert to LP with Conversion Kit 48OB-CKLP

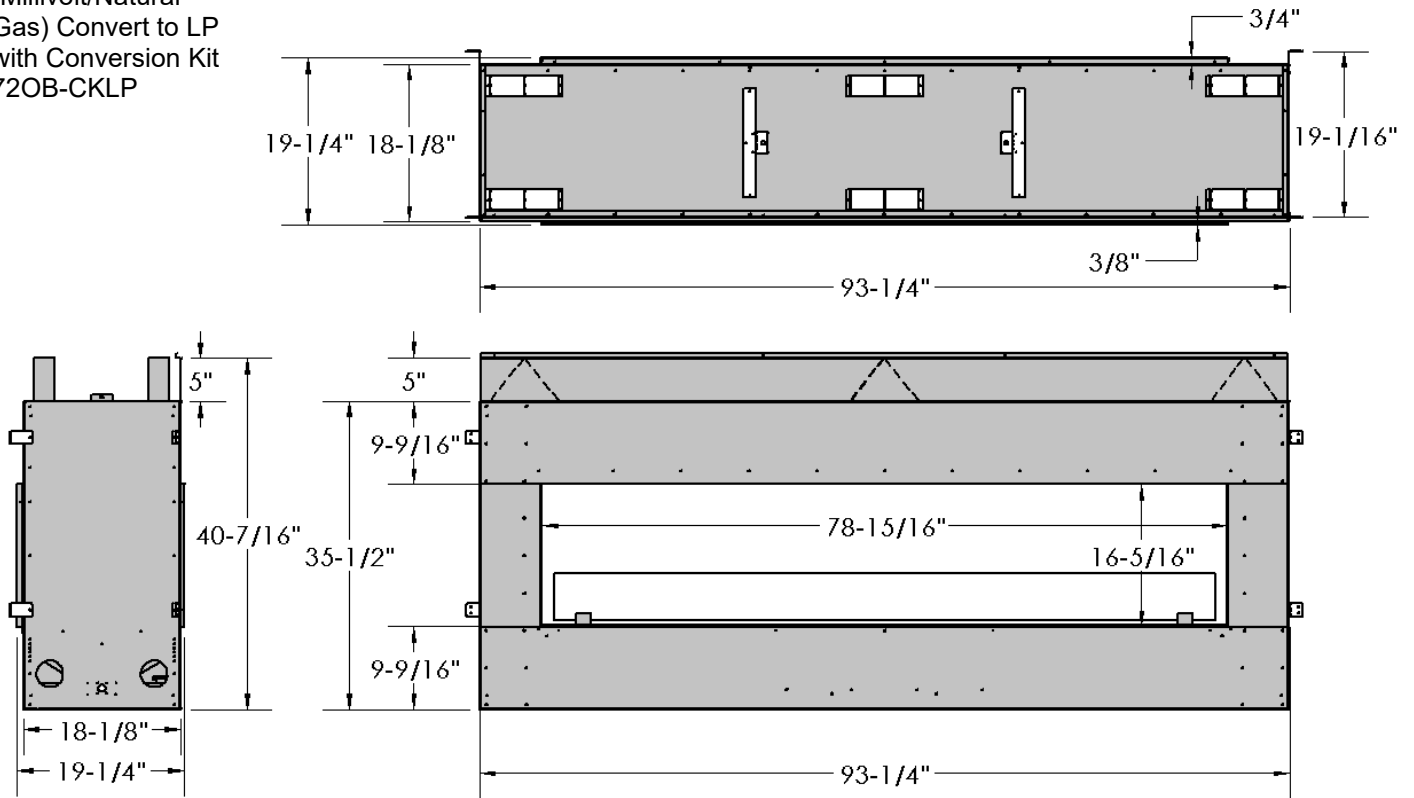


Outdoor Fireplaces

OFP7972S1 and OFP7972S2 Dimensions (Outdoor Fire Place)

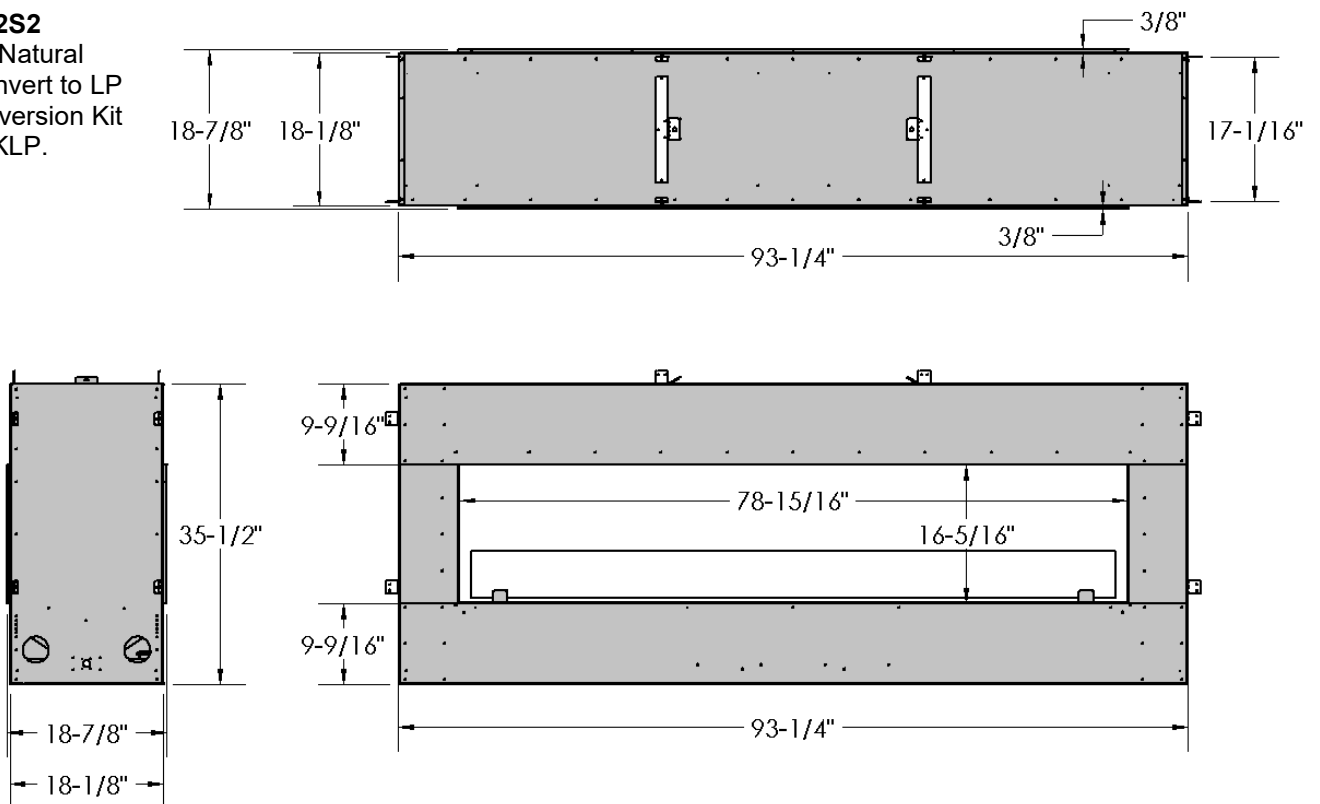
OFP7972S1

(Millivolt/Natural Gas) Convert to LP with Conversion Kit 72OB-CKLP



OFP7972S2

(Millivolt/Natural Gas) Convert to LP with Conversion Kit 72OB-CKLP.



Outdoor Fireplaces – Handling Unit – OFP4336 / OFP5548 / OFP7972

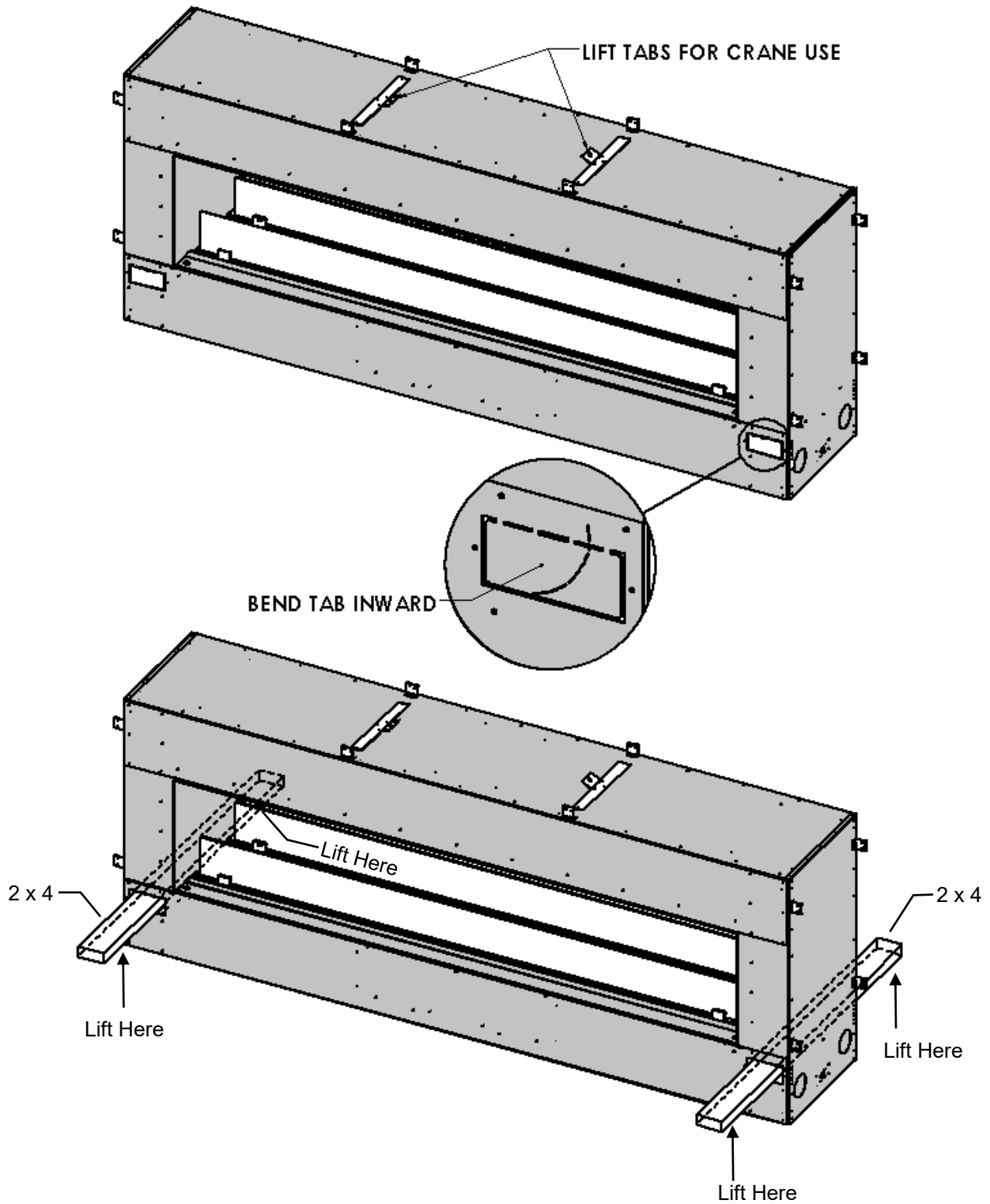
⚠ CAUTION: UNIT IS EXTREMELY HEAVY

Ensure that fireplace is properly supported when handling.

Tab cutouts on the faces of the appliance can be used to assist with handling and locating fireplace.

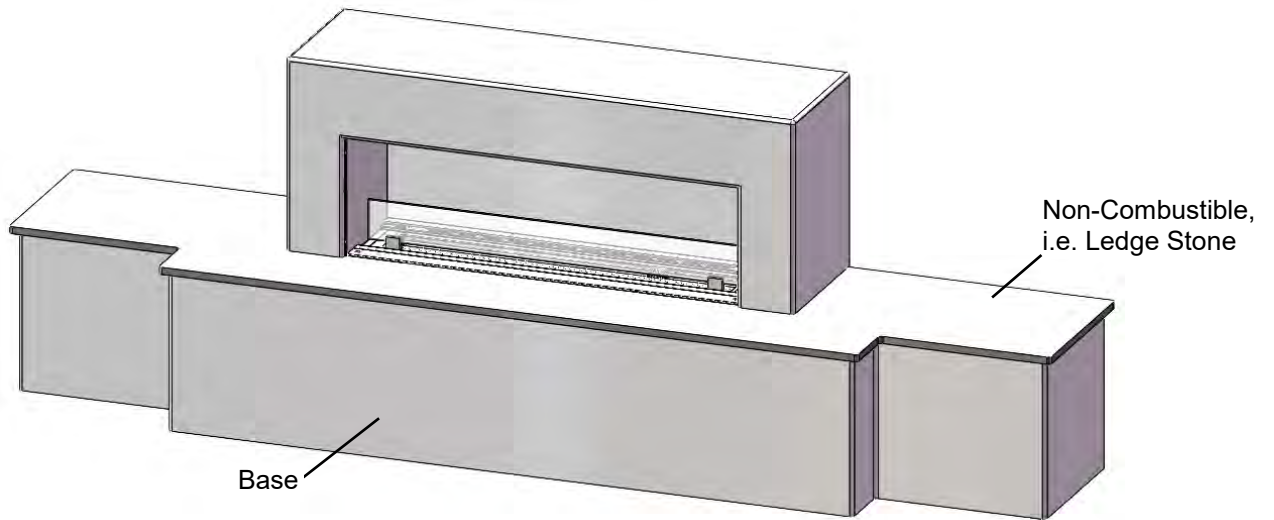
Cutouts are for Hand use or 2 x 4 use.

Lift Tabs are for crane use.

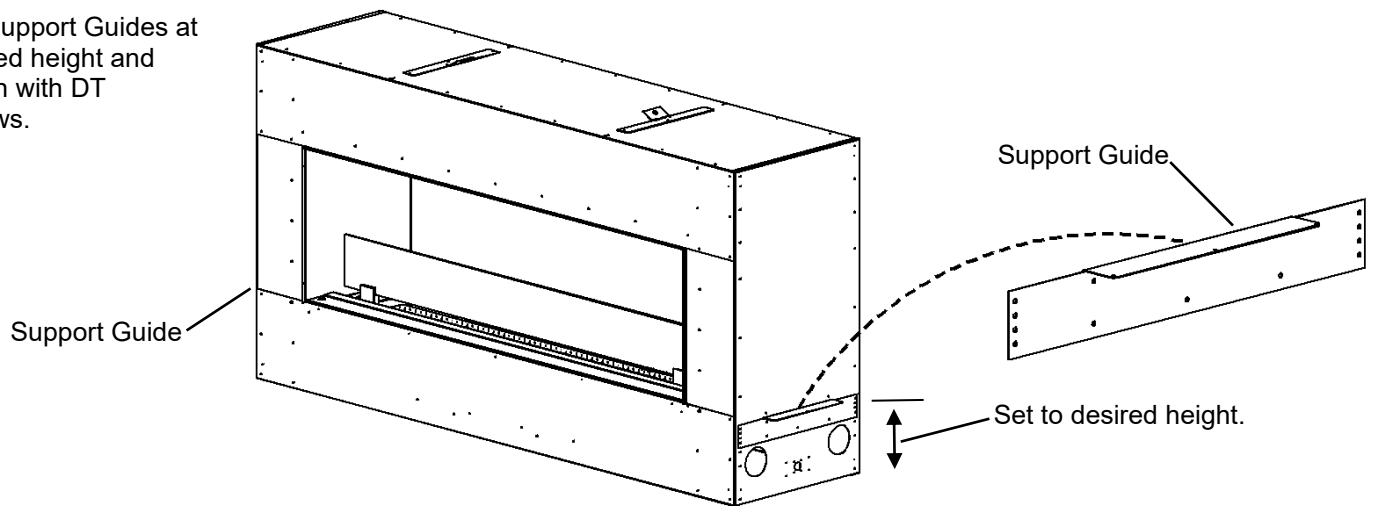


OFP4336 / 5548 / 7972 S1 or S2 – Adjustable Support Guide -Hearth Flush With Fireplace Opening-

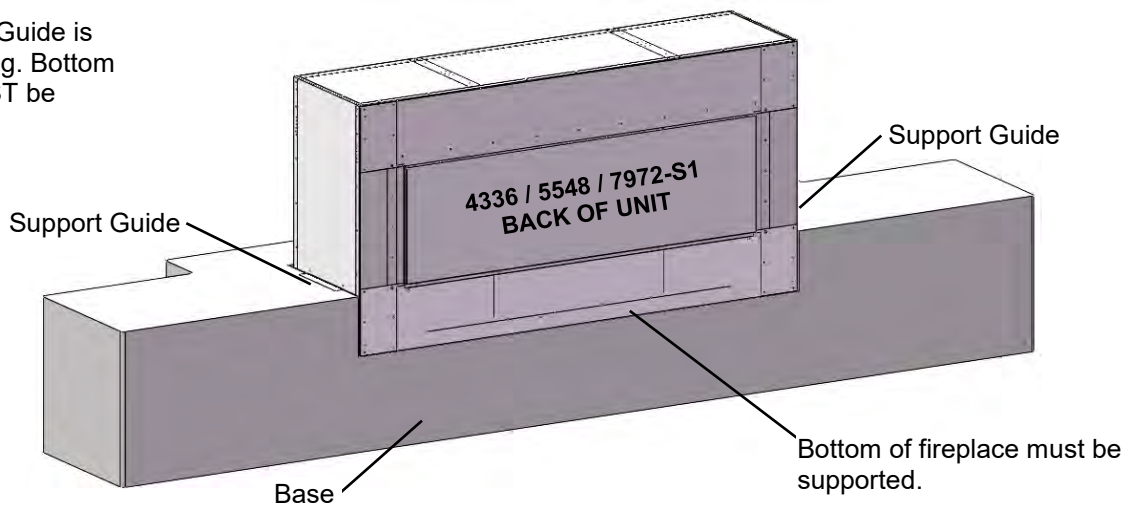
Adjustable Support Guides on the sides of the fireplace can be used to assist installation.



Set Support Guides at desired height and attach with DT Screws.



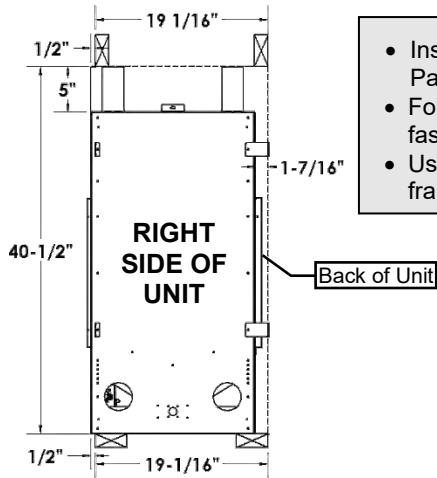
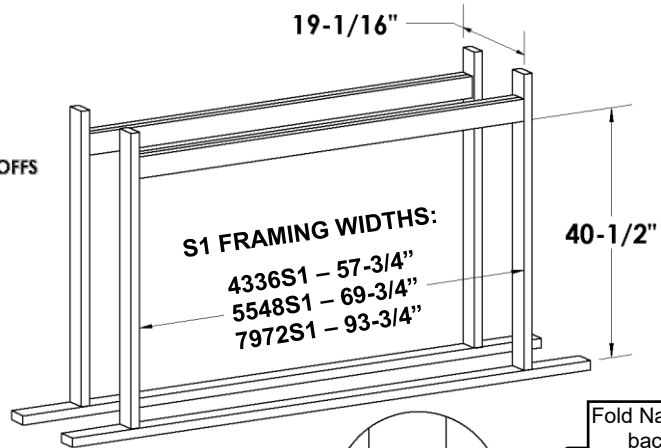
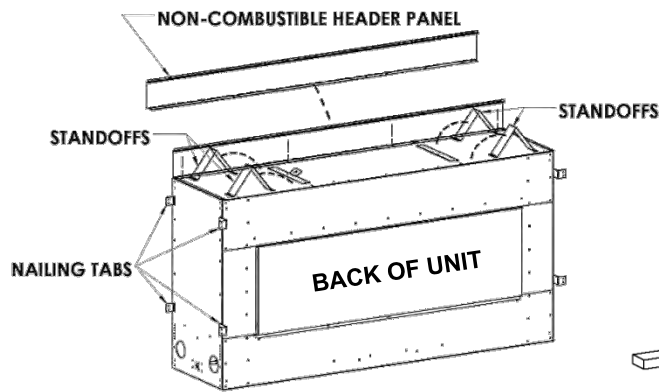
NOTE: Support Guide is NOT load bearing. Bottom of fireplace MUST be supported.



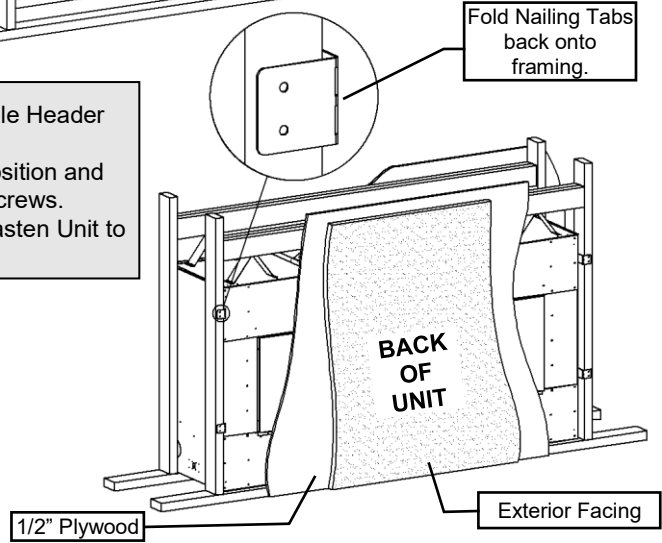
Outdoor Fireplaces

OPTIONAL FRAMING: OFP4336 / OFP5548 / OFP7972 (S1 & S2)

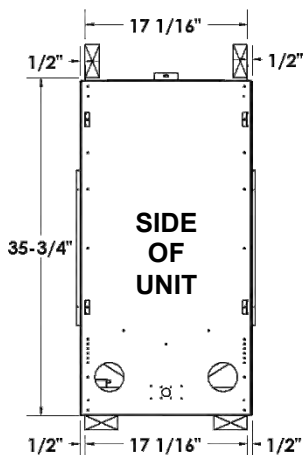
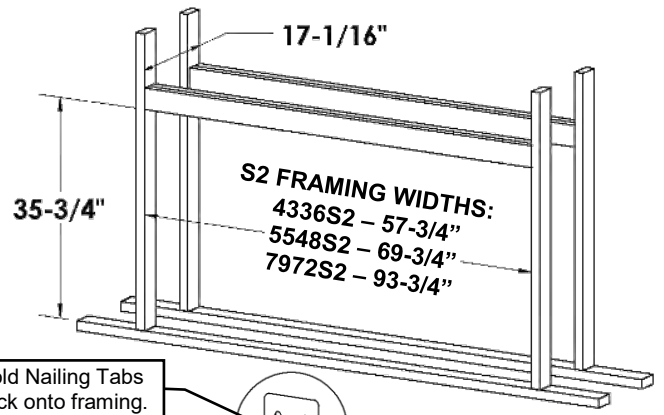
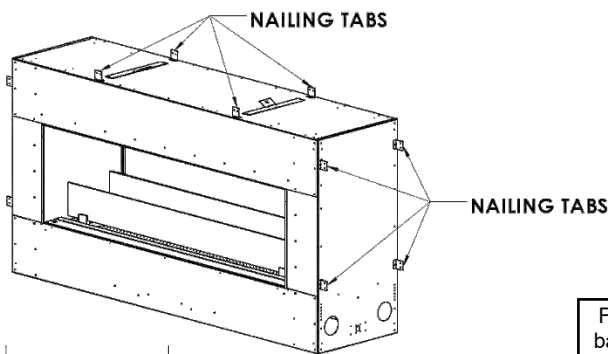
4336 / 5548 / 7972-S1 Single Sided Framing



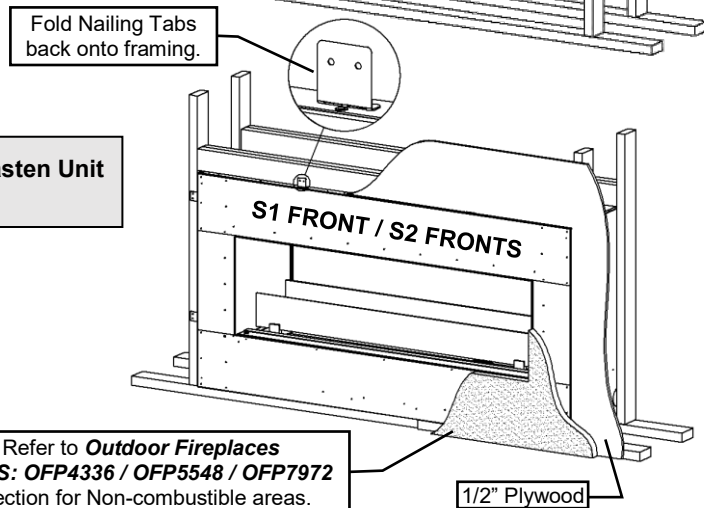
- Install Non-combustible Header Panel.
- Fold Standoffs into position and fasten in place with Screws.
- Use Nailing Tabs to fasten Unit to framing.



4336 / 5548 / 7972-S2 See Through Framing



- Use Nailing Tabs to fasten Unit to framing.

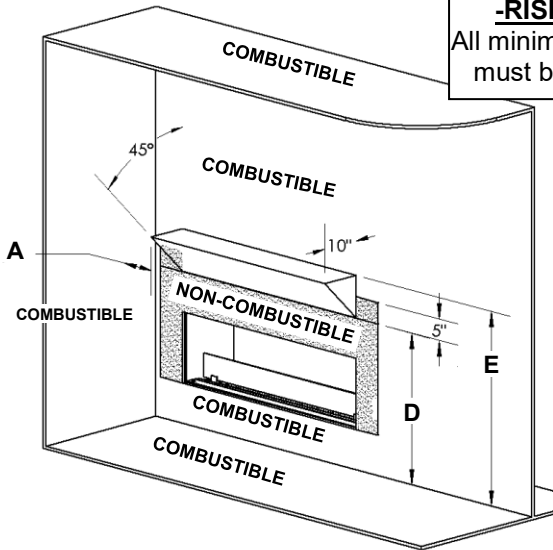


Facing – Refer to *Outdoor Fireplaces CLEARANCES: OFP4336 / OFP5548 / OFP7972 (S1 & S2) section* for Non-combustible areas.

Outdoor Fireplaces CLEARANCES: OFP4336 / OFP5548 / OFP7972 (S1 & S2)

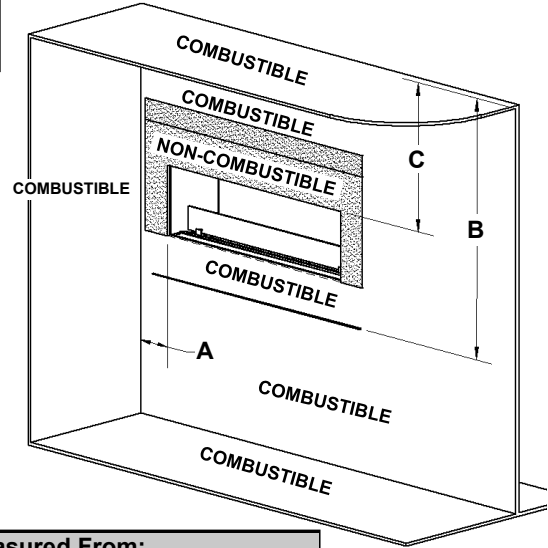
The sides and top of the front face of these appliances must be covered with non-combustible materials only.

FLOOR INSTALLATION

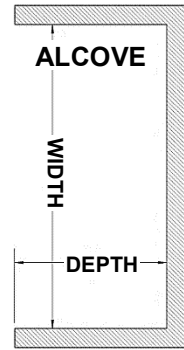


WARNING
-RISK OF FIRE-
All minimum clearances must be adhered to.

ELEVATED INSTALLATION

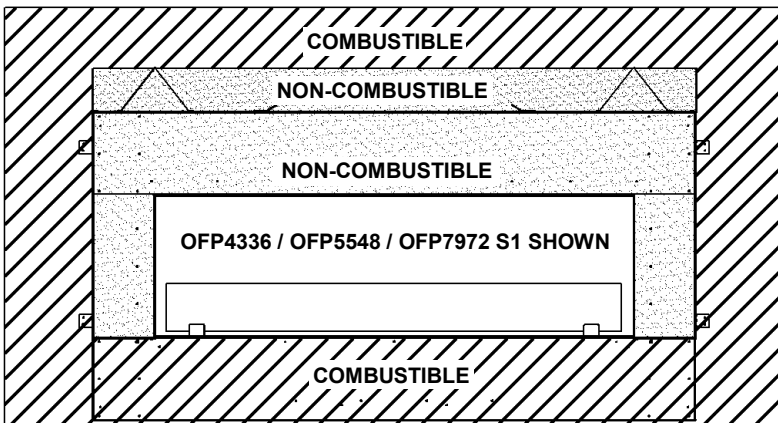


Clearance	Dimension	Measured From:
A: Side wall	8-1/2"	Side of fireplace opening
B: Ceiling	61"	Bottom of Unit
C: Ceiling	35"	Top of fireplace opening
D: Mantel Height- Bottom	35-1/2"	Bottom of Unit
E: Mantel Height- at 10" Depth	45-1/2"	Bottom of Unit
Combustibles In Front of Unit	36"	Face or Facing of Fireplace
Top, Sides and Back of Appliance	0"	Standoffs
ALCOVE		
Alcove Depth- All Units	36"	Face or Facing of Fireplace
Alcove Width- OFP4336S1 & S2	60" = Fireplace Opening (43") plus Side wall Dim A (8-1/2") x 2	
Alcove Width- OFP5548S1 & S2	72" = Fireplace Opening (55") plus Side wall Dim A (8-1/2") x 2	
Alcove Width- OFP7972S1 & S2	96" = Fireplace Opening (79") plus Side wall Dim A (8-1/2") x 2	

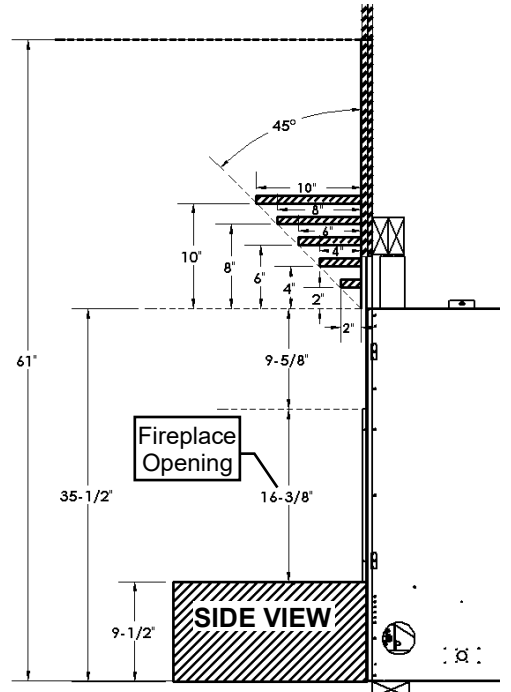


Sides and Top of Front Faces of OFP4336 / OFP5548 / OFP7972 S1 and S2 Fireplaces can be covered by Non-combustible materials only (i.e. brick, stone, tile, concrete board, etc.).

Mantel Dimensions are from front face or Non-Combustible Facing Materials covering fireplace.



WARNING
Combustible Objects on Non-Combustible Mantel
Combustible objects must not be placed on a Non-combustible Mantel unless the mantel meets the dimensional requirements for a Combustible Mantel. Determine whether your mantel conforms to the requirements of a Combustible Mantel.

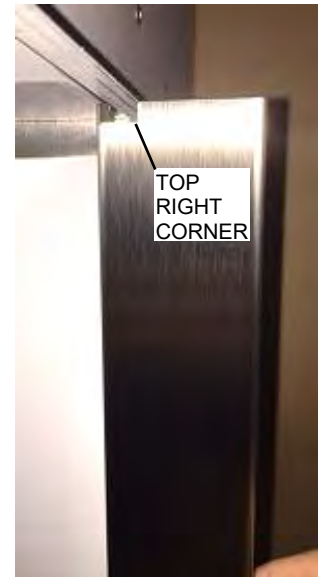
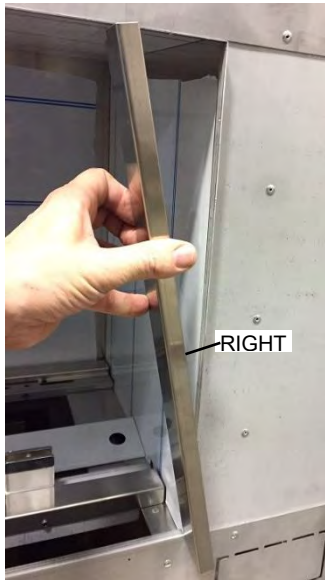
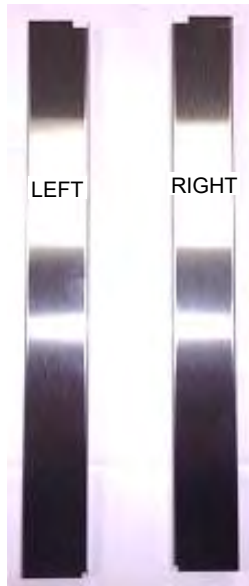
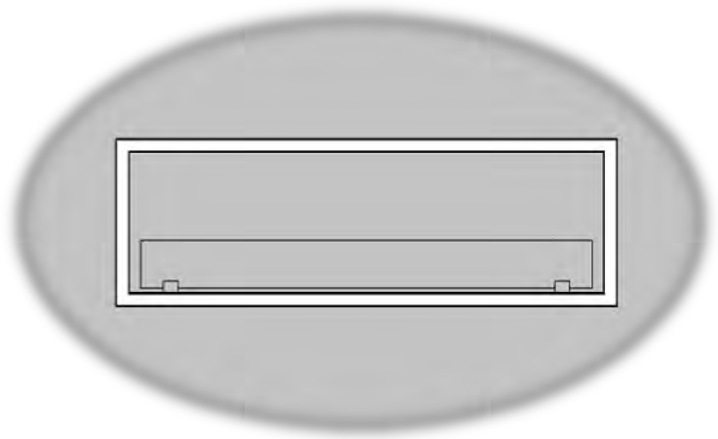
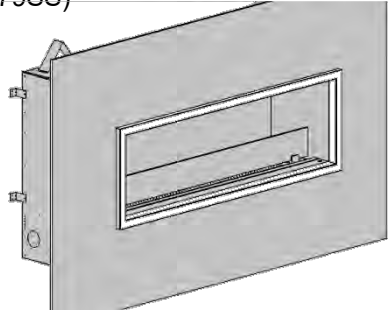


Surround Installation

OFP43SS / OFP55SS / OFP79SS

Parts List:

- Surround Frame [1 pc]
- Side Filler Panels [2 pc] (1LH & 1RH)
- Stainless Steel Screws ([2] for OFP43SS, [3] for OFP55SS & OFP79SS)

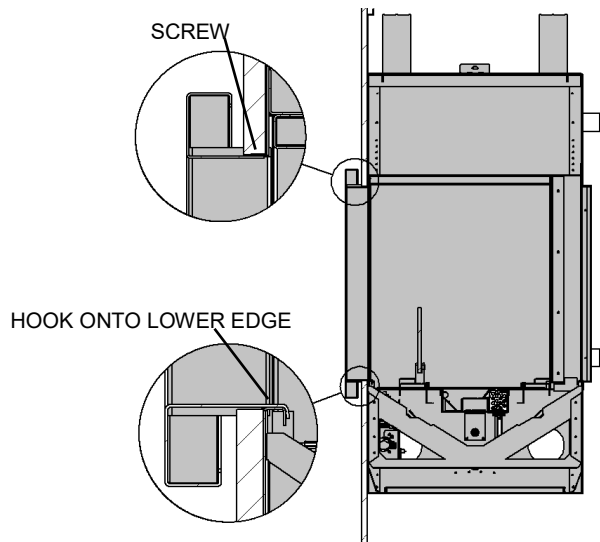


STEP 1: Place bottom of Side Filler into gap at corner of opening.

STEP 2: Push Side Filler into place. Repeat procedure for other side.



STEP 3: Hook Surround Frame onto Lower Edge of fireplace opening.

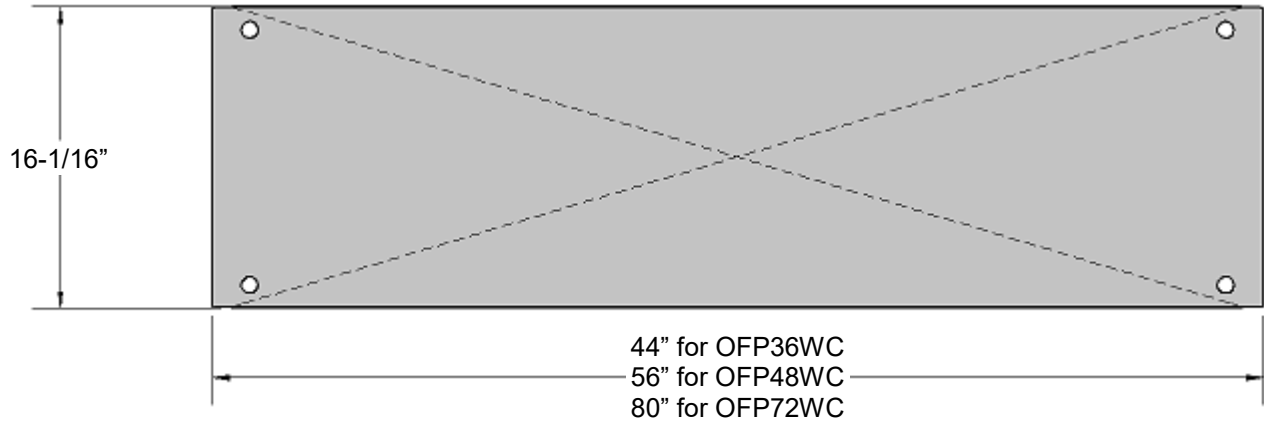


STEP 4: Push Surround Frame into place and attach with screws into top lip of opening.

Weather Cover Installation

OFP43WC / OFP55WC / OFP79WC

PARTS LIST: 1 Weather Cover



-WEATHER COVER CAN BE USED WITH OR WITHOUT SURROUND-



STEP 1: Insert left side of Weather Cover into fireplace opening.



STEP 2: Insert right side of Weather Cover into fireplace opening. Slide to the right until gap is closed.



Weather Cover is installed.

⚠ WARNING

PILOT KNOB MUST BE TURNED TO THE "OFF" POSITION BEFORE INSTALLING WEATHER COVER.

SERIOUS DAMAGE CAN BE CAUSED TO THE APPLIANCE AND PROPERTY IF PILOT IS LEFT ON AND THE MAIN BURNER IS TURNED ON WHEN WEATHER COVER IS INSTALLED.

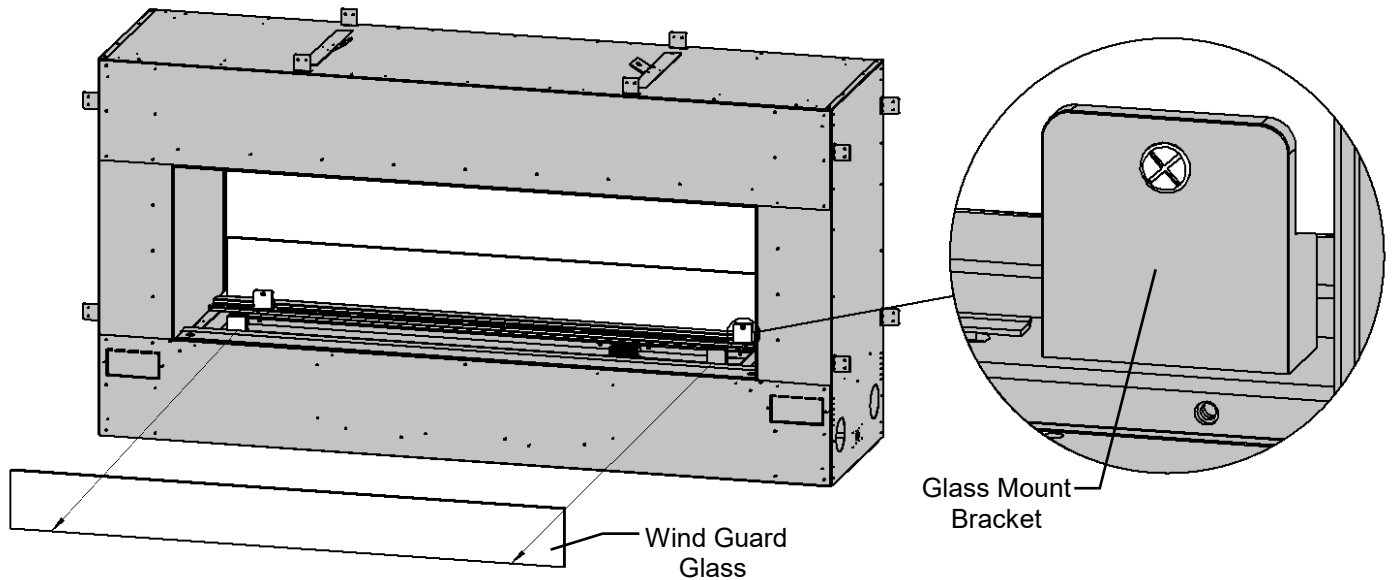
ANY DAMAGE CAUSED AS A RESULT OF THE PILOT OR MAIN BURNER BEING LEFT ON WHEN A WEATHER COVER IS INSTALLED WILL NOT BE COVERED UNDER WARRANTY.

OFP4336 / OFP5548 / OFP7972 Wind Guard Glass Installation

Wind Guard Glass must be installed for safety and in order for unit to function properly.

Step one: Place Wind Guard Glass into Glass Mount Brackets.

Step two: Center Wind Guard Glass in appliance and tighten screws in Glass Mount Brackets. **Do NOT over tighten.**



Stainless Steel Parts And Accessories

NOTE: The protective wrap on stainless steel parts is best removed at room temperature. A hair dryer may be helpful.



Cleaning Stainless Steel

Stainless steel tends to oxidize or stain in the presence of chlorides and sulfides, particularly in coastal areas and other harsh environments, such as the warm, highly humid atmosphere around pools and hot tubs. These stains could be perceived as rust, but can be easily removed or prevented. To provide stain prevention and removal, wash all stainless steel surfaces every 3-4 weeks or as often as required with fresh water and/or stainless steel cleaner.

Notes on Cleaning Stainless Steel Surfaces: Do not use abrasive cleaners or steel wool on any painted, or stainless steel parts. Doing so will scratch the finish. Exterior surfaces should be cleaned with warm soapy water. Use a stainless steel or a non-abrasive cleaner. Always wipe in the direction of the grain.

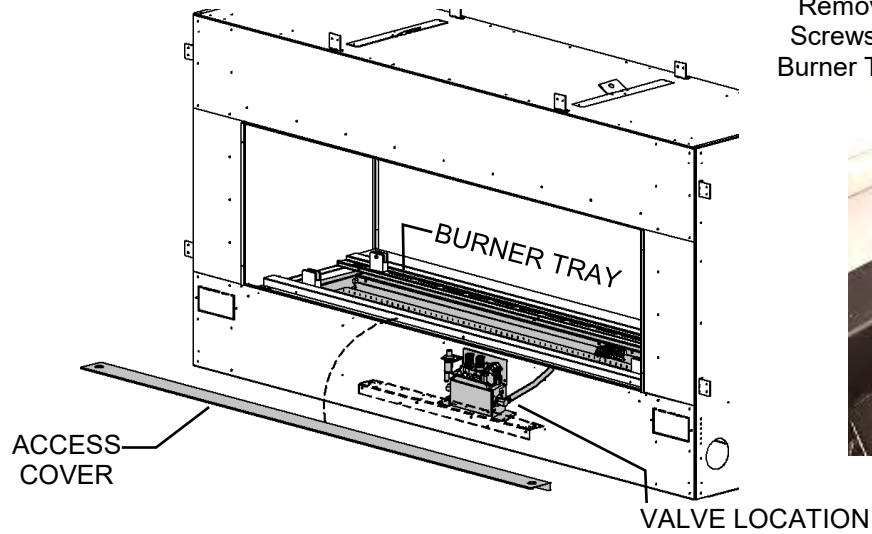
Over time, stainless steel parts discolor when heated, usually to a golden or brown hue. This discoloration is normal and does not affect the performance of the appliance.

OFP4336 / OFP5548 / OFP7972 -Burner Removal / Installation

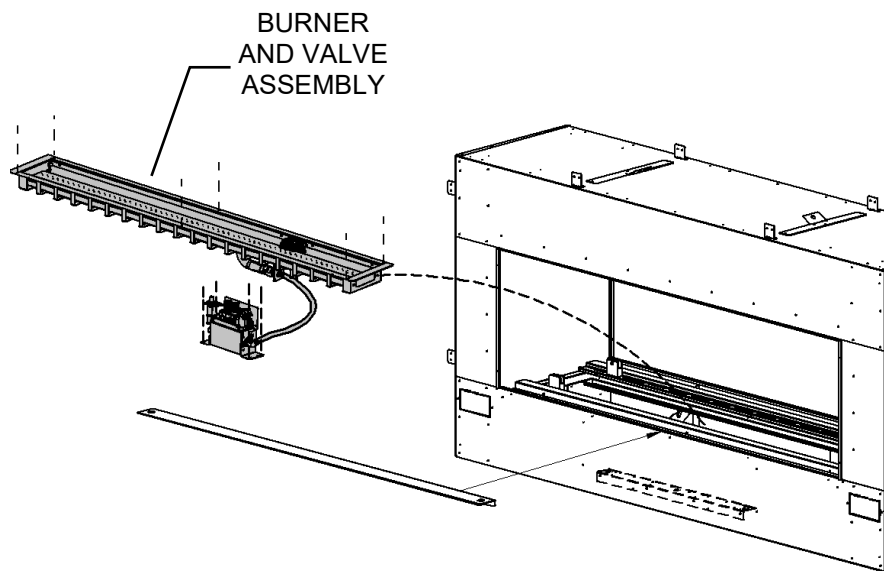
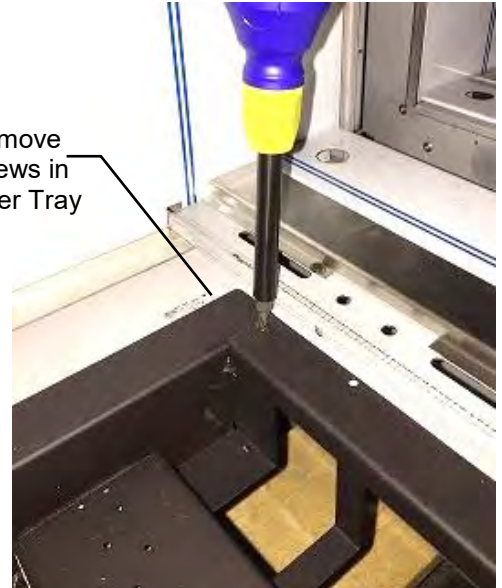
⚠ THE FOLLOWING MUST BE PERFORMED BY QUALIFIED INSTALLERS ONLY.

To remove burner:

1. Disconnect gas supply. **Caution: only a qualified person should do this.**
2. Remove Access Cover.
3. Remove Screws in Burner Tray and Valve Bracket.



Remove
Screws in
Burner Tray



Remove
Screws from
Valve
Bracket

TO INSTALL BURNER, REVERSE ABOVE STEPS.

Glass Media for Outdoor Burners

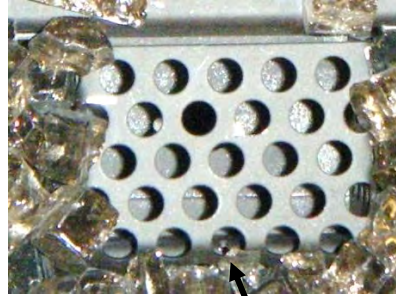
Choose Glass Media - 5 lbs. per Foot of Burner (i.e.: 24" burner = 10lbs)

Product Number	Description
MQG5ZG	Glass Media - ZIRCON Glacier Ice - 5 lbs.
MQG5A	Glass Media - 1/2" Cobalt Blue - 5 lbs.
MQG5B	Glass Media - 1/2" Black - 5 lbs.
MQG5C	Glass Media - 1/2" Bronze - 5 lbs.
MQG5W	Glass Media - 1/2" White - 5lbs.

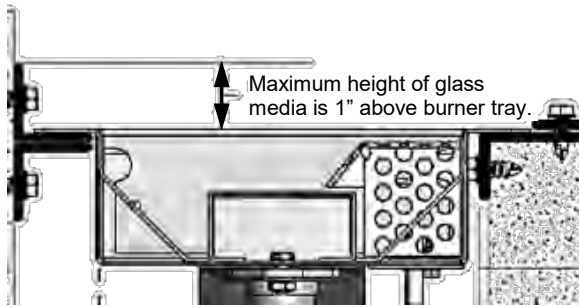
Use of any other glass can alter the performance of the unit and is not covered under warranty.
 Discoloration of glass media may occur if placed on the burner, this is not covered under warranty.

Spread glass evenly in burner tray.

Pilot Shield must not be covered, as a delayed ignition can occur (See photo below).



Pilot Area Must Not Be Covered.



SIDE VIEW



Optional Media Accessories

MQRBD3 – Driftwood Log Set – 5 piece



Place Logs Randomly as shown. Do not cover Pilot.

MQRBD4 – Driftwood Log Set – 3 piece



Place Logs Randomly as shown. Do not cover Pilot.

MQROCK2 – Rock Set, Contemporary Collection – Natural

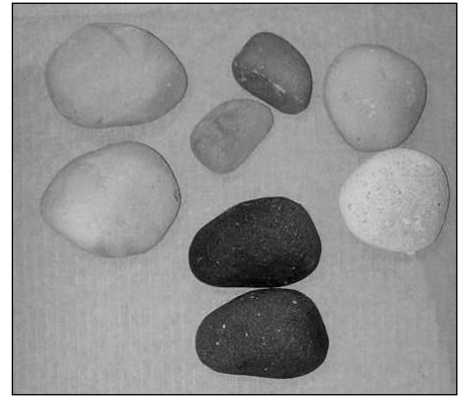
MQROCK3 – Rock Set, Contemporary Collection – Multi-Colored

MQSTONE – Decorative Stones – 80 Piece Set

MQSTONE10 – Decorative Stones – 10 Piece Set

Place Rocks and Stones randomly. Do not cover Pilot.

Not all Rocks or Stones will be used on all models.



RBCB1 – Canonballs – Assorted Size and colors- 14 pieces



Place Canonballs randomly. Do not cover Pilot. Not all Canonballs will be used on all models.

Wind Guards

Fire Tables / Fire Stands / Custom Applications

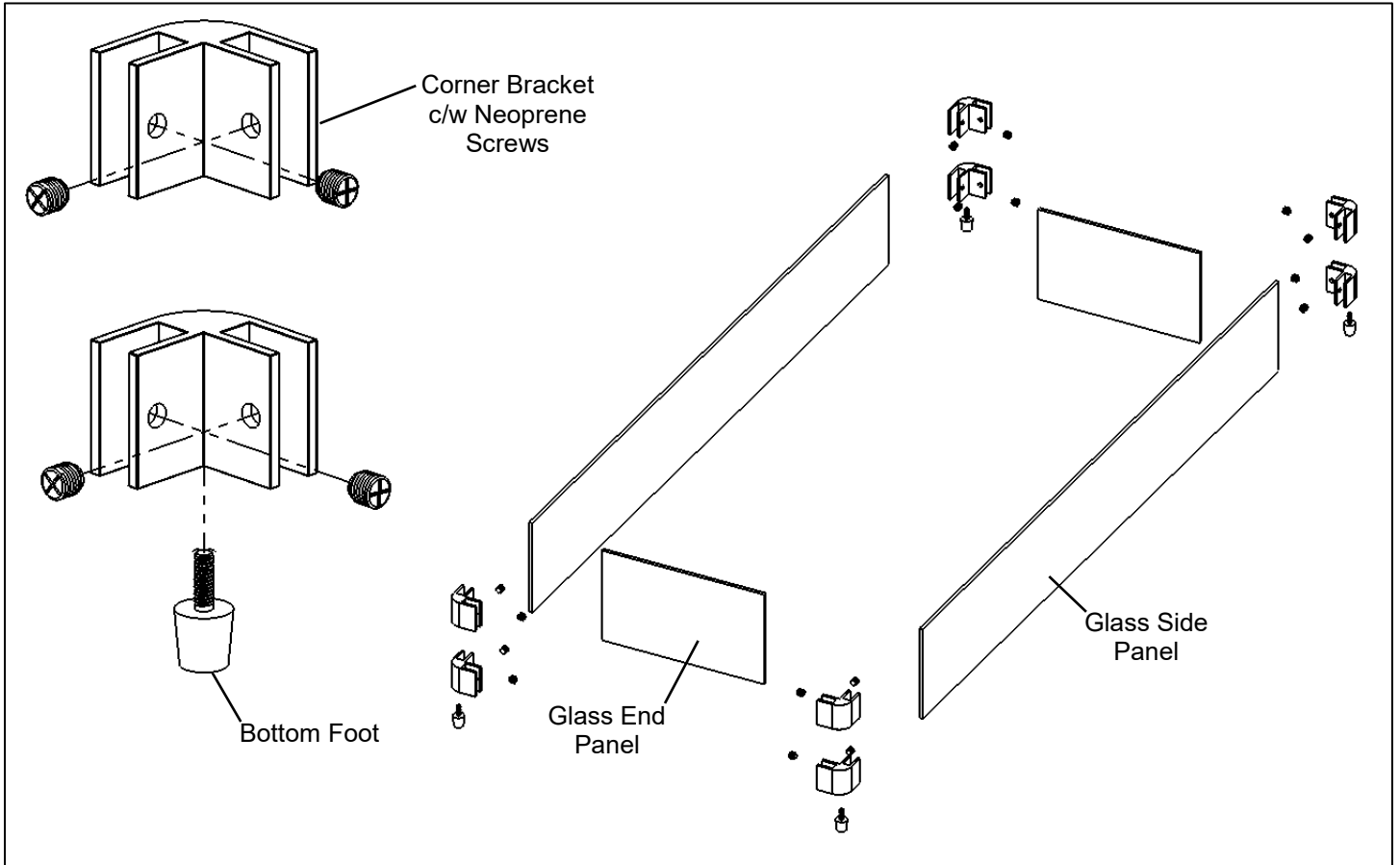
A Wind Guard is **Required** for Outdoor Fire Tables, and recommended for Outdoor Burners and Fire Stands.

Parts List: [4] Bottom Feet, [8] Corner Brackets c/w neoprene tipped screws, [2] Glass End Panels, [2] Glass Side Panels

O24WG – 24” Wind Guard
O36WG – 36” Wind Guard

O48WG – 48” Wind Guard

O72WG – 72” Wind Guard
O96WG - 96” Wind Guard



Wind can greatly affect flame performance. If used in windy conditions a wind guard is recommended.

NOTE: Painted finishes damaged or discolored by heat are not covered under warranty.

Burner System Maintenance

It is recommended to annually inspect and clean the Burner System to prevent malfunction and / or sooting. This operation should be performed by your dealer or a qualified technician.

-CAUTION-

Before servicing the burner system ensure that the gas supply is turned OFF and disconnect all electrical connections to the appliance. Allow the appliance to cool to room temperature. Note that the pilot assembly may be hot in an intermittent or standing-pilot system—even if the main burner was never on. Exercise caution when working within the area.

-ALL WORK SHOULD BE PERFORMED BY A QUALIFIED AND CERTIFIED TECHNICIAN-

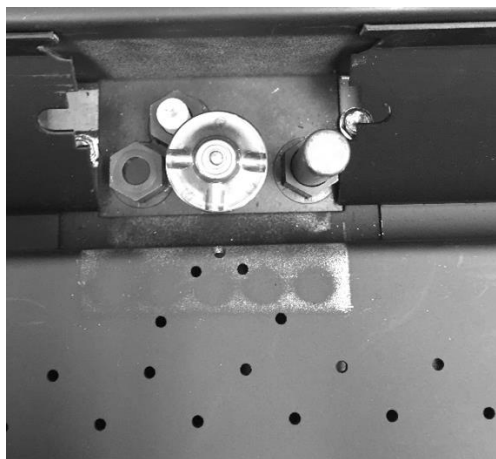
This appliance is not intended for use in temperatures below freezing.

Monthly Flame Inspection

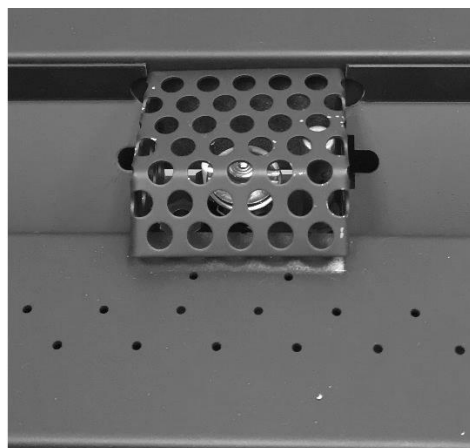


It is recommended to turn on the unit at least once a month and inspect the flame pattern to ensure there are no problems with the burner tube (Flame should appear similar to the above picture).

The pilot flame should also be inspected monthly to ensure proper operation.



Pilot Must Maintain This Relationship With Burner.



Pilot Area Must Not Be Covered.

*Pilot Shield should be visually inspected monthly for signs of deterioration due to flame exposure. Replace if necessary.

The appliance should be inspected before initial use and inspected and cleaned at least annually by a qualified field service person.

Tampering is DANGEROUS and voids all warranties. Any component that is found to be faulty, must be replaced with an approved component.

To obtain proper operation, it is imperative that the burner flame characteristics are steady, not lifting or floating. Check the burner flame patterns with **Burner System Maintenance** Section.

Periodically remove media and examine the burner. If dirty, clean with a soft brush. Also examine the area around the burner air shutter. Any dirt or lint in this area should be removed. This will ensure long life and trouble free operation. Replace media (rocks, logs, glass, etc.) as shown in manual. When the appliance is put back in service, check the burner flame patterns with **Burner System Maintenance** Section.

Periodically check the hose connecting the LP-gas cylinder to ensure it is not damaged in any way.

FOR SAFE INSTALLATION AND OPERATION NOTE THE FOLLOWING:

The Burner/Log Assembly has been engineered and permanently adjusted for proper flame control.

Label all wires prior to disconnection when servicing controls. Wiring errors can cause improper and dangerous operation. Verify proper operation after servicing.

Cylinders must be stored outdoors in a well ventilated area out of the reach of children. Disconnected cylinders must have threaded valve plugs tightly installed and must not be stored in a building, garage or any other enclosed area.

Storage of this appliance indoors is permissible only if it has been disconnected from its fuel supply (natural gas line or LP gas cylinder).

The LP gas cylinder supply system must be arranged for vapor withdraws.

The LP gas cylinder used must include a collar to protect the cylinder valve.

When an LP model is not in use, the LP gas must be turned off at the supply cylinder.

The appliance and its individual shut off valve must be disconnected from the gas supply piping system during any pressure testing of the system at test pressures in excess of ½ psi (3.5 kPa).

The appliance must be isolated from the gas supply piping system by closing its individual manual shutoff valve during any pressure testing of the gas supply piping system at test pressures equal to or less than ½ psi (3.5 kPa).

CLEANING

It is recommended to annually inspect and clean the unit to prevent malfunction and / or sooting. This operation should be performed by your dealer or a qualified technician.

Carefully remove media (log set, Rocks, Glass, etc.). Gloves are recommended.

Warning: Turn off Unit and allow to cool before cleaning. Only a qualified service technician should service and repair appliance.

- Do not use cleaning fluids to clean logs.
- Use a soft bristle brush or a vacuum with brush attachment.
- Vacuum loose particles and dust from burner and valve
- Inspect Burner Plate, Pilot, Valve, and Mixing Sleeve for spider webs or other blockages.
- Replace media. Refer to the appropriate page in this manual for proper placement of contents, such as logs.

Safety Information and Manual Lighting Instructions

FOR YOUR SAFETY READ BEFORE LIGHTING

⚠WARNING: If you do not follow these instructions exactly, a fire or explosion may result causing property damage, personal injury or loss of life.

- A. This appliance must be lit by hand. When lighting, follow these instructions exactly.
- B. Before LIGHTING, smell all around the appliance area for gas. Be sure to smell next to the floor, because some gas is heavier than air and will settle on the floor.
- C. Use only your hand to turn the gas control knob or valve. Never use tools. If the valve will not turn by hand, don't try to repair it, call a qualified service technician. Force or attempted repair may result in a fire or explosion.
- D. Do not use this appliance if any part has been underwater. Immediately call a qualified service technician to inspect the appliance, and to replace any part which has been underwater.

WHAT TO DO IF YOU SMELL GAS

- Do not try to light any appliance.
- Do not touch any electric switch; do not use any phone in your building.
- Immediately call your gas supplier from a neighbor's phone. Follow the gas supplier's instructions.
- If you cannot reach your gas supplier, call the fire department.

Manual Lighting Instructions

1. STOP! Read the safety information above.
2. Remove the top cover.
3. Find the manual gas control valve.
4. Place a burning match on top of burner in the middle where ports are present. DO NOT HOLD THE MATCH IN HAND. For Natural Gas unit turn on the on/off valve slowly at the unit. For LP unit turn the valve on the LP tank counterclockwise all the way and then turn on the on/off valve slowly at the unit.
5. If the burner does not light before the match goes out, immediately turn the gas to off.
6. Wait at least five (5) minutes to clear out any gas. If you have unsuccessfully tried to light the burner, wait longer. Then smell for gas, including near the floor. If you smell gas, STOP! Follow "B" in the safety information above. If you don't smell gas, repeat step 4.

Push Button Ignition (if equipped)

1. STOP! Read the safety information above.
2. Remove the top cover.
3. Find the manual gas control valve and push button igniter.
4. Push and hold the button on the igniter and ensure sparking is occurring at the probes inside the burner tray.
5. Turn ON gas supply and manual key valve.
6. Gas should ignite within 10 seconds or less. If the burner does not light turn the gas to off.
7. Wait at least five (5) minutes to clear out any gas. Then smell for gas, including near the floor. If you smell gas, STOP!
8. If you don't smell gas, repeat step 4.

To Turn Off Gas Appliance

1. Turn the on/off valve to the off position at the unit for natural gas unit. For LP unit, turn the on/off valve to the off position at the unit and then turn the valve on the LP tank to the off position clockwise.
2. Replace the top cover.

Millivolt System, Lighting, and Burner Control

FOR YOUR SAFETY READ BEFORE LIGHTING

WARNING: If you do not follow these instructions exactly, a fire or explosion may result causing property damage, personal injury or loss of life.

BEFORE LIGHTING

- | | |
|--------------------------------------------------------------------------------------------------------------------------------------------------------------------------------------------------------------------------------------------------------------------------------------------|----------------------------------------------------------------------------------------------------------------------------------------------------------------------------------------------------------------------------------------------------------------------------------------------------------------------------------------------------------------------------------------------------------------------------------------------------------------------------------------------------------------------------------------------------------------------------------------------------------------------------------------------------------------------------------------------------------------|
| <p>A This appliance has a pilot which must be lighted by hand. When lighting the pilot, follow these instructions exactly.</p> <p>B Smell all around the appliance area for gas. Be sure to smell next to the floor because some gas is heavier than air and will settle on the floor.</p> | <ul style="list-style-type: none"> • Immediately call your gas supplier from a neighbour's phone. Follow the gas supplier's instructions. • If you cannot reach your gas supplier, call the fire department. <p>C Use only your hand to push or turn the gas control knob. Never use tools. If the knob will not push in or turn by hand, don't try to repair it. Call a qualified technician. Force or attempted repair may result in a fire or explosion.</p> <p>D Do not use the appliance if any part has been under water. Immediately call a qualified service technician to inspect the appliance and to replace any part of the control system which has been under water.</p> |
|--------------------------------------------------------------------------------------------------------------------------------------------------------------------------------------------------------------------------------------------------------------------------------------------|----------------------------------------------------------------------------------------------------------------------------------------------------------------------------------------------------------------------------------------------------------------------------------------------------------------------------------------------------------------------------------------------------------------------------------------------------------------------------------------------------------------------------------------------------------------------------------------------------------------------------------------------------------------------------------------------------------------|

WHAT TO DO IF YOU SMELL GAS

- Do not try to light an appliance.
- Do not touch any electrical switch; do not use any phone in your building.

LIGHTING INSTRUCTIONS

- | | |
|------------------------------------------------------------------------------------------------------------------------------------------------------------------------------------------------------------------------------------------------------------------------------------------------------------------------------------------------------------------------------------------------------------------------------------------------------------------------------------------------------------------------------------------------------------------------------------------------------------------------------------------------------------------------------------------------------------------------------------------------------------------------------------------------------------------------------------------------------------------------------------------------------------------------------------------------------------------------------------------------------------------------------------------------------------------------------------------------------------------------------------|-----------------------------------------------------------------------------------------------------------------------------------------------------------------------------------------------------------------------------------------------------------------------------------------------------------------------------------------------------------------------------------------------------------------------------------------------------------------------------------------------------------------------------------------------------------------------------------------------------------------------------------------------------------------------------------------------------------------------------------------------------------------------------------------------------------------------------------------------------------------------------------------------------------------------------------------------------------------------------------------------------------------------------------------------------------------------------------------------------------------------------------------------------------------------------------------------------------------------------------------------------------------------------------------------------------------|
| <ol style="list-style-type: none"> 1. Stop! Read the safety information above this label. 2. Set the thermostat to lowest setting. 3. Turn off all electrical power to the appliance. 4. Locate valve under the burner assembly. 5. If the control knob is not already in the off position, i.e. the word "OFF" in the 9 o'clock position, then push in the gas control knob slightly and turn ⤵ clockwise to "OFF". NOTE: Knob cannot be turned from "PILOT" to "OFF" unless knob is pushed in slightly. Do not use force. 6. Wait five [5] minutes to clear out any gas. If you then smell gas. STOP! Follow "B" in the safety information above on this label. If you don't smell gas then go to the next step. 7. Now push in the control knob slightly and turn ⤵ counter-clockwise to the "PILOT" position. 8. Push in the control knob all the way and hold it. With the other hand push in the red igniter button until you hear a click. Now observe closely the pilot burner located on the rear center-left hand side of the main burner. | <p>If a flame has appeared then continue to depress the control knob for 20 seconds. If the flame did not appear then continue to depress the red igniter button every 5 seconds until a flame is established. NOTE: If after 30 seconds a flame has not yet been established then turn the control knob back to the off position and repeat steps 5, 6 & 7.</p> <ol style="list-style-type: none"> 9. Once the pilot has been established hold the control knob in the depressed position for approximately 25 seconds before releasing. If the flame goes out then repeat steps 7 and 8. <ul style="list-style-type: none"> • If the knob does not pop up when released, stop and immediately call your service technician or gas supplier. • If the pilot will not stay lit after several tries, turn the gas control to "OFF" and call your service technician. 10. Now turn the control knob to the "ON" position. The burner will not light unless the wall switch thermostat or remote control is turned "ON" or in the case of the thermostat there is a call for heat. 11. Close the access door and turn all electrical power back to the appliance. 12. The pilot must be turned off when the unit is not in use. |
|------------------------------------------------------------------------------------------------------------------------------------------------------------------------------------------------------------------------------------------------------------------------------------------------------------------------------------------------------------------------------------------------------------------------------------------------------------------------------------------------------------------------------------------------------------------------------------------------------------------------------------------------------------------------------------------------------------------------------------------------------------------------------------------------------------------------------------------------------------------------------------------------------------------------------------------------------------------------------------------------------------------------------------------------------------------------------------------------------------------------------------|-----------------------------------------------------------------------------------------------------------------------------------------------------------------------------------------------------------------------------------------------------------------------------------------------------------------------------------------------------------------------------------------------------------------------------------------------------------------------------------------------------------------------------------------------------------------------------------------------------------------------------------------------------------------------------------------------------------------------------------------------------------------------------------------------------------------------------------------------------------------------------------------------------------------------------------------------------------------------------------------------------------------------------------------------------------------------------------------------------------------------------------------------------------------------------------------------------------------------------------------------------------------------------------------------------------------|

TO TURN OFF THE APPLIANCE

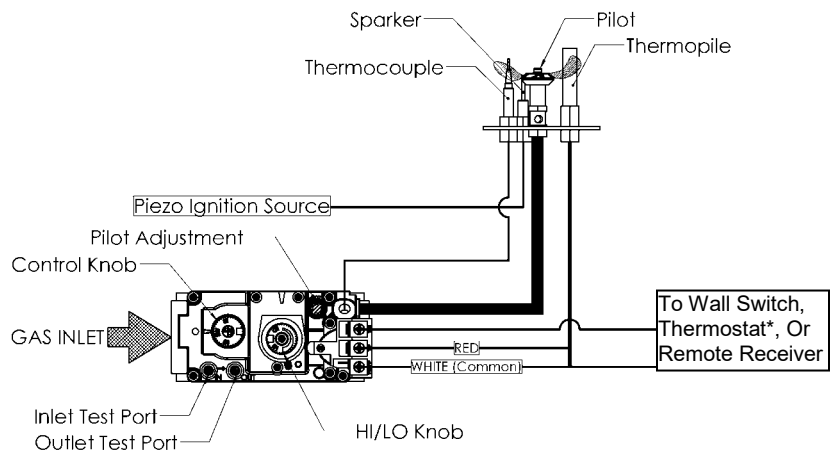
- | | |
|------------------------------------------------------------------------------------------------------------------------------------------------------------------------------------------------------------------------------|------------------------------------------------------------------------------------------------------------------------------------------------------------------------------------------------|
| <ol style="list-style-type: none"> 1. Set the thermostat to lowest setting. 2. Turn off all electric power to the appliance if service is to be performed. 3. Open the control access door. | <ol style="list-style-type: none"> 4. Push in the gas control knob slightly and turn ⤵ clockwise to the "OFF" position. Do not force. 5. Replace control access panel. |
|------------------------------------------------------------------------------------------------------------------------------------------------------------------------------------------------------------------------------|------------------------------------------------------------------------------------------------------------------------------------------------------------------------------------------------|

NOTE: Only one on/off device (manual on/off, remote control, or hard wired thermostat) should be connected to the appliance at any one time, this is most important when installing an insert or stove as the on/off rocker switch is installed at the factory.

Recommended Maximum Lead Length (Double Wire)
When Using Wall Switch or Thermostat

Wire Size	Max. Length
14ga	100ft [30.4m]
16ga	64ft [19.5m]
18ga	40ft [12.1m]
20ga	25ft [7.6m]
22ga	15ft [4.5m]

CAUTION: DO NOT WIRE 120V POWER TO MILLIVOLT SWITCHES OR THERMOSTAT.

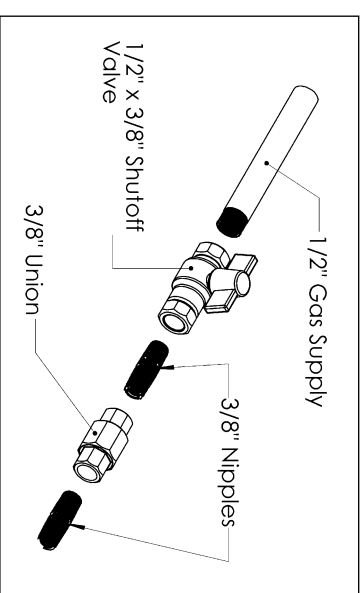


*In the U.S.A. Thermostats are not permitted for Vented Gas Fireplaces (ANSI Z21.50b-2009 -Decorative).

Gas Line Installation and Specifications

This gas appliance should be installed by a qualified installer in accordance with local building codes and with current CAN/CGA - B149.1 or .2 installation codes for Gas Burning appliances and equipment in Canada and the National Fuel Gas Code ANSI Z223 in the U.S.A.

1. The gas pipeline can be brought in through either the left side or the bottom of the appliance. A knockout is provided at either location to allow for the gas pipe installation and testing of any gas connection.
 2. The gas control inlet is 3/8" NPT. Typical installation layout for rigid pipe is shown at right.
 3. When using copper or flex connector, use only approved fittings. Always provide a union so that gas line can be easily disconnected for burner or fan servicing. See gas specification for pressure details and ratings.
 4. When a vertical section of gas pipe is required for the installation, a condensation trap is needed. See CAN/CGA-B149.1 or .2 for code details.
 5. For natural gas, a minimum of 3/8" iron pipe with gas minimum pressure of 4.5" w.c. must be used for supply from the gas meter. Consult with the local gas utility if any questions arise concerning pipe sizes.
 6. Ports are accessible for test gauge connection both on the inlet and outlet of the gas valve.
 7. Turn the gas supply ON and check for leaks. **DO NOT USE OPEN FLAME FOR THIS PURPOSE.** Use an approved leak testing solution.
 8. The appliance and its individual shutoff valve must be disconnected from the gas supply piping system during any pressure testing of that system at test pressures in excess of 1/2psig [3.5 KPa].
 9. The appliance must be isolated from the gas supply piping system by closing its individual shutoff valve during any pressure testing of the gas supply piping system at test pressures equal to or less than 1/2psig [3.5 KPa].
- Note: The gas line connection may be made of 1/2" rigid pipe, 1/2" copper pipe or an approved flex connector. Since some municipalities have additional local codes, it is always best to consult your local authorities and the current CAN/CGA - B149.1 or .2 installation code in Canada or the National Fuel Gas code ANSI Z223.1 in the U.S.A.



IMPORTANT: Always check for gas leaks with a soap and water solution. **DO NOT USE OPEN FLAME FOR LEAK TESTING.**

		MAP / MAN -MANUAL VALVE (DANTE)						MVN / MVP -MILLIVOLT VALVE								
Models →	OB24MAN	OB24MAP	OB36MAN	OB36MAP	OB48MAN	OB48MAP	OB24MVN	OB24MVP	OB36MVN	OB36MVP	OB48MVN	OB48MVP	OB72MVN	OB72MVP	OB96MVN	OB96MVP
	Natural Gas	Propane	Natural Gas	Propane	Natural Gas	Propane	Natural Gas	Propane	Natural Gas	Propane	Natural Gas	Propane	Natural Gas	Propane	Natural Gas	Propane
Gas Control	Dante Adjustable															
Max / Min (Btu)	40,000	40,000	60,000	60,000	63,500	60,000	27,500Lo 40,000Hi	31,500Lo 40,000Hi	39,000Lo 60,000Hi	48,000Lo 60,000Hi	54,000Lo 80,000Hi	61,000Lo 80,000Hi	83,000Lo 120,000Hi	91,000Lo 115,000Hi	110,000Lo 156,000Hi	125,000Lo 157,000Hi
Orifice Size (0-4500ft)	#40	#50	#31	#43	#30	#43	#31	#49	#25	#43	#14	#37	#19 [Zeal]	#43 [Zeal]	#10 [Zeal]	#37 [Zeal]
Air Shutter	1/16" Open	Fully Open	1/16" Open	Fully Open	1/16" Open	Fully Open	1/16" Open	Fully Open	1/16" Open	Fully Open	1/16" Open	Fully Open	1/16" Open	Fully Open	1/16" Open	Fully Open
Gas Inlet Size	Dante, 3/8" NPT						S.I.T. 820 Nova, 3/8" NPT						S.I.T. 820 Nova, 1/2" NPT			
Gas Supply Pressure	Minimum		Normal		Maximum		Minimum		Normal		Normal		Maximum			
Natural Gas	7" (Unregulated)		7" (Unregulated)		7" (Unregulated)		5.5"		7"		7"		10"			
Liquid Propane	1 1/2" Hose Regulator		1 1/2" Hose Regulator		1 1/2" Hose Regulator		1 1/2"		1 1/2"		1 1/2"		13"			
Manifold Pressure High	N/A		N/A		N/A		3.5" w.c. [0.87KPa] NG		3.5" w.c. [0.87KPa] NG		10" w.c. [2.61KPa] LP		10" w.c. [2.61KPa] LP			
Manifold Pressure Low	N/A		N/A		N/A		1.6" w.c. [0.40KPa]		1.6" w.c. [0.40KPa]		6.3" w.c. [1.57KPa]		6.3" w.c. [1.57KPa]			

For the state of Massachusetts a T-handle gas shut-off valve must be used on a gas appliance. This T-handle gas shut-off valve must be listed and approved by the state of Massachusetts. This is in reference to the state of Massachusetts state code CMR238.

LP Cylinder Requirements

NOTE: Cylinders acceptable for use inside this appliance must be compatible with the retention means shown here.

The LP gas supply cylinder used with LP models must be constructed and marked in accordance with the specifications for LP-gas cylinders of the U.S. Department of Transportation (DOT) *Specifications for LP-Gas Cylinders, or the Standard for Cylinders, Spheres and Tubes for Transportation of Dangerous Goods and Commission, CAN/CSA-B339*, as applicable.

The LP gas supply cylinder used with LP models must be provided with a listed overfilling prevention device.

The pressure regulator and hose assembly supplied with LP models (PN# **27FP-900FF** or **24OFS-P120**) must be used. Replacement pressure regulators and hose assemblies must be those specified in this manual.

Always check for gas leaks with a soap and water solution. **DO NOT USE OPEN FLAME FOR LEAK TESTING.**

When an LP model is not in use, the LP-gas must be turned off at the supply cylinder.

At altitudes above 4500ft appliances should be derated 4% every 1000ft. However, check with local gas supplier as fuel supply may already be adjusted.

Refer to **Burner System Maintenance** for proper pilot orientation. Refer to **Burner System Maintenance** for pilot and main burner flame appearance.

Refer to **Gas Line Installation and Specifications** for leak testing procedures.

Refer to **Gas Line Installation and Specifications** for manifold pressures.

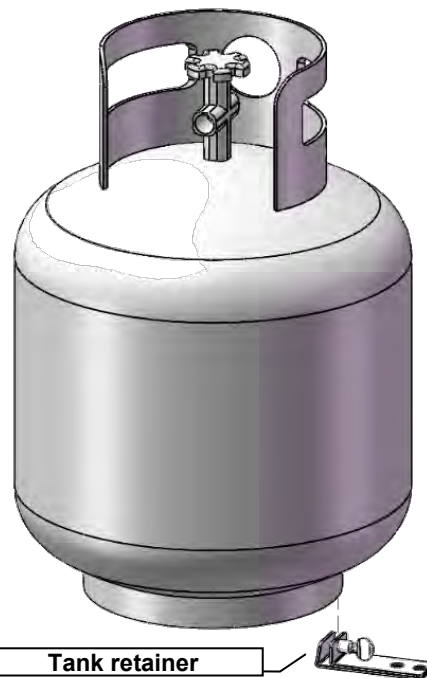
Refer to **Gas Line Installation and Specifications** for gas inlet pressures.

Refer to **Gas Line Installation and Specifications** for input rates.

Refer to **Lighting Instructions** for normal sequence of the ignition system.

TANK RETAINER - Included with all MAP Burners and LP Conversion Kits

1. Connect foot ring of LP Tank to Tank Retainer with thumbscrew.
2. Fasten Tank retainer to mounting surface with lag screw.
3. Concrete anchor required for concrete surface (not supplied).



LP Conversion Kits for Millivolt and Manual Systems

Kit Number	Description	Pilot Orifice	Burner Orifice Brass (1000-255)	Brass Nipple	Air Shutter	Hi/Lo Regulator (if applicable)
24OB-CKLP	LP Conversion For OB24 -Millivolt-	1001-P167SI #30 (977.167)	#49	1000-253 Closed	Fully Open	1001-P202si (0.907.202)
36OB-CKLP	LP Conversion For OB36 -Millivolt-	1001-P167SI #30 (977.167)	#43	1000-253 Closed	Fully Open	1001-P202si (0.907.202)
48OB-CKLP	LP Conversion For OB48 -Millivolt-	1001-P167SI #30 (977.167)	#37	1000-253 Closed	Fully Open	1001-P202si (0.907.202)
72OB-CKLP	LP Conversion For OB72 -Millivolt-	1001-P167SI #30 (977.167)	#43 [Qty 2]	1000-253 Closed	Fully Open	1001-P202si (0.907.202)
96OB-CKLP	LP Conversion For OB96 -Millivolt-	1001-P167SI #30 (977.167)	#37 [Qty 2]	1000-253 Closed	Fully Open	1001-P202si (0.907.202)
24OB-CKLP5 c/w 5' hose	LP Conversion For OB24 -Dante Manual-	N/A	#50	1000-253 Closed	Fully Open	27FP-900FF (5ft Hose & Regulator)
24OB-CKLP10 c/w 10' hose	LP Conversion For OB24 -Dante Manual-	N/A	#50	1000-253 Closed	Fully Open	24OFS-P210 (10ft Hose & Regulator)
36-48OB-CKLP5 c/w 5' hose	LP Conversion For OB36 -Dante Manual-	N/A	#43	1000-253 Closed	Fully Open	27FP-900FF (5ft Hose & Regulator)
36-48OB-CKLP10 c/w 10' hose	LP Conversion For OB36 -Dante Manual-	N/A	#43	1000-253 Closed	Fully Open	24OFS-P210 (10ft Hose & Regulator)

All LP Conversion Kits include a Tank retainer. This Bracket is NOT USED on Outdoor Fire Tables.

Gas Conversion – PART A - MANUAL SYSTEMS –

NOTE: CONVERSION SHOULD BE COMPLETED BEFORE BURNER IS INSTALLED.

Caution- the gas supply shall be shut off prior to disconnecting the electrical power, before proceeding with the conversion.

TO CONVERT MAP SYSTEMS TO MAN:

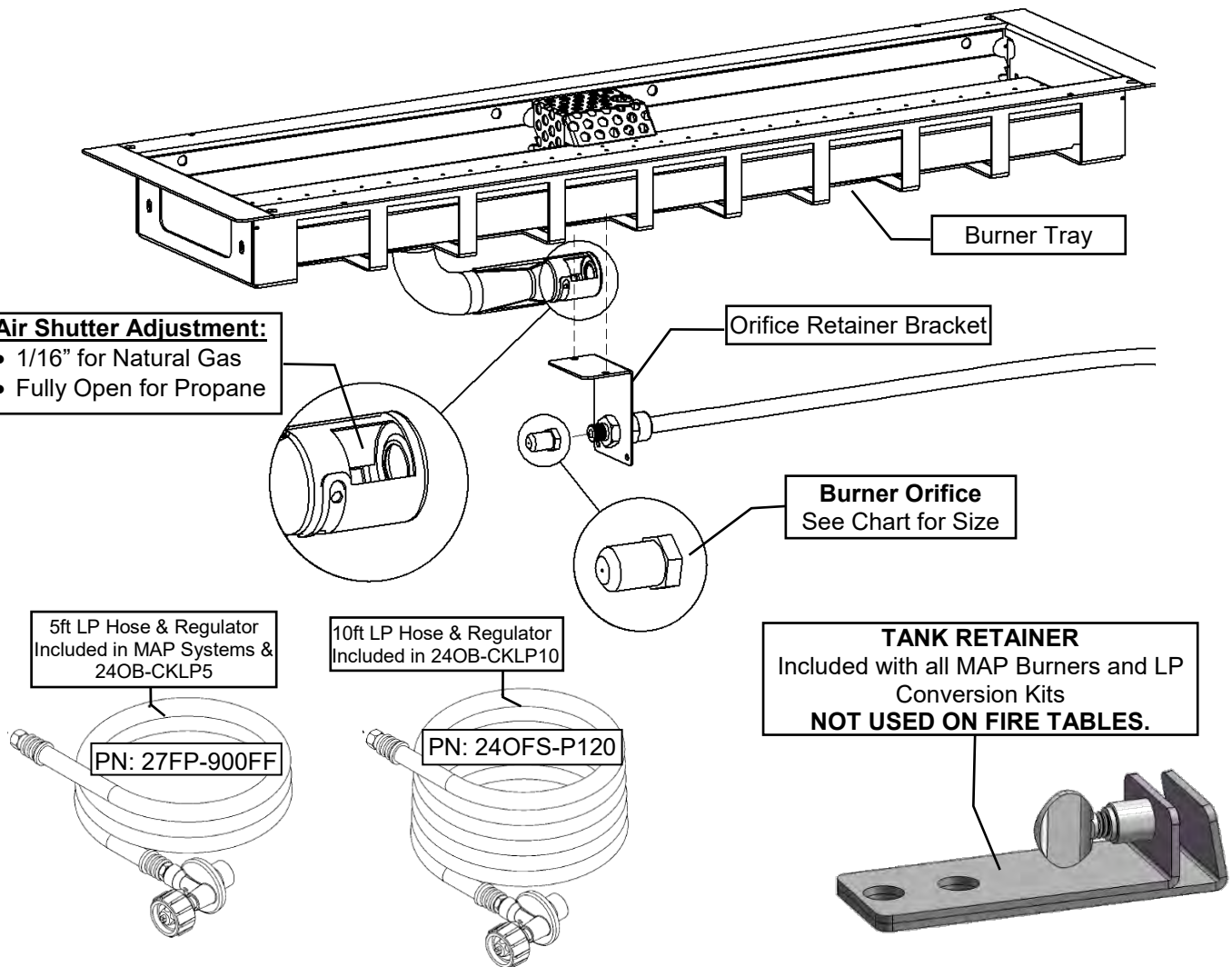
1. Remove [2] screws from Orifice Retainer Bracket.
2. Remove Burner Orifice from Air Shutter. Using a 1/2" wrench, disconnect Burner Orifice from brass fitting and replace with supplied NG Burner Orifice.
3. Set Air Shutter Adjustment to 1/16".
4. Re-insert new Burner Orifice into Air Shutter.
5. Re-attach Orifice Retainer Bracket to Burner Tray.
6. Disconnect LP Hose and Regulator from Valve Assembly.

TO CONVERT MAN SYSTEMS TO MAP:

1. Remove [2] screws from Orifice Retainer Bracket.
2. Remove Burner Orifice from Air Shutter. Using a 1/2" wrench, disconnect Burner Orifice from brass fitting and replace with supplied LP Burner Orifice.
3. Set Air Shutter Adjustment **Fully Open**.
4. Re-insert new Burner Orifice into Air Shutter.
5. Re-attach Orifice Retainer Bracket to Burner Tray.
6. Connect LP Hose and Regulator to Valve Assembly.

Air Shutter Adjustment:

- 1/16" for Natural Gas
- Fully Open for Propane



WARNING

This conversion kit shall be installed by a qualified service agency in accordance with the manufacturer's instructions and all applicable codes and requirements of the Authority Having jurisdiction. If the information on in these instructions is not followed exactly, a fire, explosion or production of carbon monoxide may result causing property damage, personal injury or loss of life.

The qualified service agency is responsible for the proper installation of this kit. The installation is not proper and complete until the operation of the converted appliance is checked as specified in the manufacturer's instructions supplied with the kit.

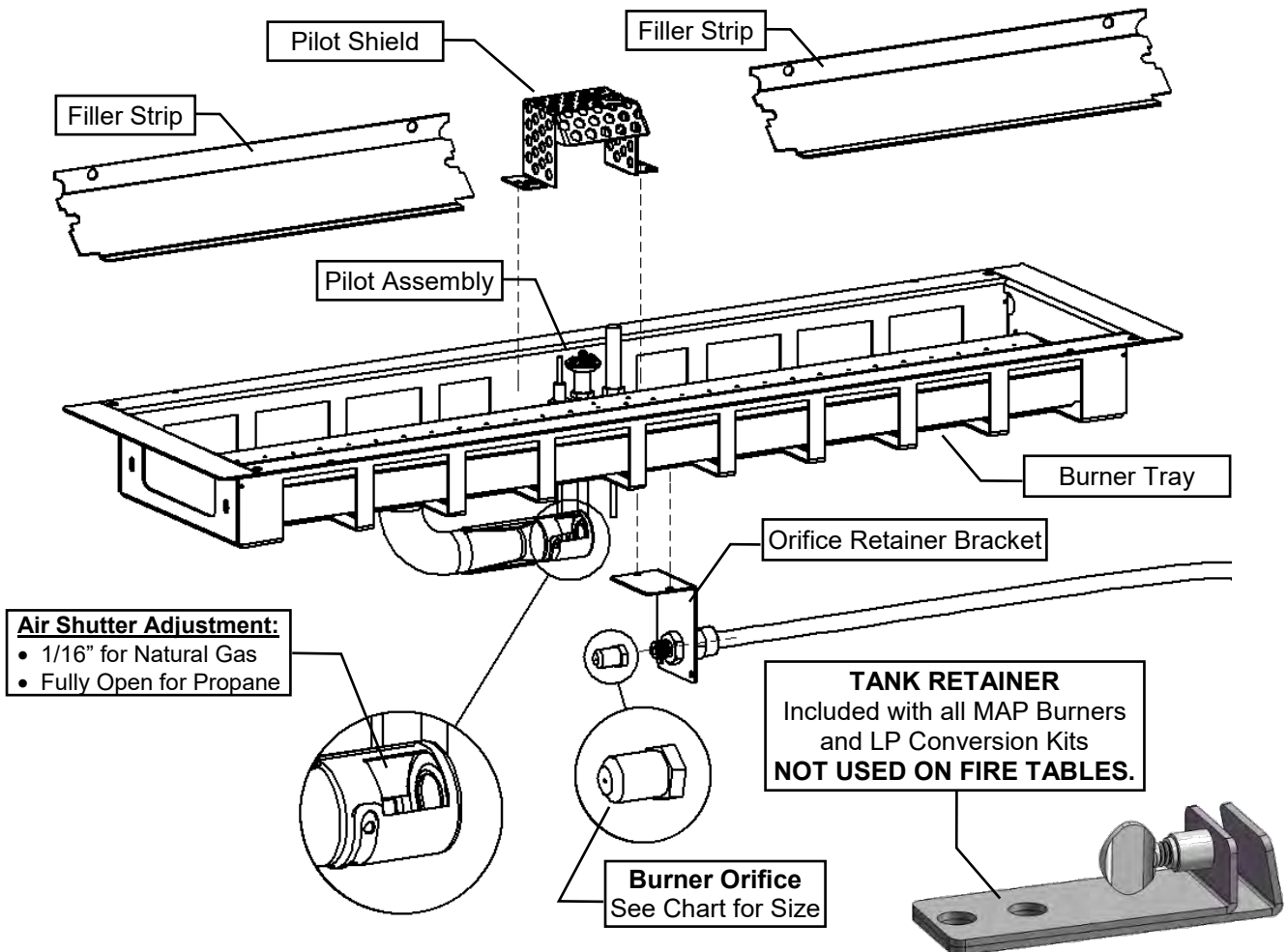
Gas Conversion –PART A - MILLIVOLT SYSTEMS -

NOTE: CONVERSION SHOULD BE COMPLETED BEFORE BURNER IS INSTALLED.

Caution- the gas supply shall be shut off prior to disconnecting the electrical power, before proceeding with the conversion.

TO CONVERT MILLIVOLT GAS SYSTEMS:

1. Remove [2] screws from Orifice Retainer Bracket.
2. Remove Burner Orifice from Air Shutter. Using a 1/2" wrench, disconnect Burner Orifice from brass fitting and replace with appropriate Burner Orifice.
3. Set Air Shutter Adjustment to **Fully Open for LP**, and **1/16"** for **NG**.
4. Re-insert new Burner Orifice into Air Shutter.
5. Re-attach Orifice Retainer Bracket to Burner Tray.
6. Remove Filler Strips and Pilot Shield to access Pilot Assembly.
7. Install new Pilot Orifice and Hi/Lo Valve Regulator by following instructions supplied with Conversion Kit (also see Parts B & C of Conversion Kit Instructions).



WARNING

This conversion kit shall be installed by a qualified service agency in accordance with the manufacturer's instructions and all applicable codes and requirements of the Authority Having jurisdiction. If the information on in these instructions is not followed exactly, a fire, explosion or production of carbon monoxide may result causing property damage, personal injury or loss of life.

The qualified service agency is responsible for the proper installation of this kit. The installation is not proper and complete until the operation of the converted appliance is checked as specified in the manufacturer's instructions supplied with the kit.

Gas Conversion for Top Convertible Pilot (Series 019065X) – PART B

Instructions for converting SIT 190 series pilot burner injection from NG to LPG and from LPG to NG only. This information should be considered as supplemental to the Appliance Manufacturer's Instructions.

⚠ WARNING: The installation of this conversion kit must only be undertaken by a qualified and certified gas appliance installer.

1. Shut off the gas supply to the appliance.
2. Allow the pilot burner to cool to room temperature.
WARNING: Touching a hot pilot burner can result in injury.
3. The pilot hood is held in place by spring pressure. Remove the hood by pulling it directly up from the pilot bracket (a).
4. Insert a 5/32" or 4mm Allen wrench into the hexagonal key-way of the injector (b), and rotate it ⤵ counter-clockwise until it is free of the injector journal (c).
5. Verify that the new injector is proper for the application. The injector size is stamped on the side of the injector near the top. LPG injectors have a groove machined around their circumference near the top, while NG injectors do not have a groove (e). Refer to the Appliance Manufacturers instruction sheet for the proper injector size.
6. Insert the Allen wrench into the end of the injector. Then, insert into injector journal, and rotate the injector clockwise until a torque of 9 in-lbs is achieved.
7. Replace the pilot hood by aligning the tab on the base of the hood with the slot in the side of the pilot journal, and push the hood down, directly onto the pilot bracket (d). The hood must sit squarely on the bracket for proper operation. Check to insure that the hood is properly seated onto the pilot bracket.



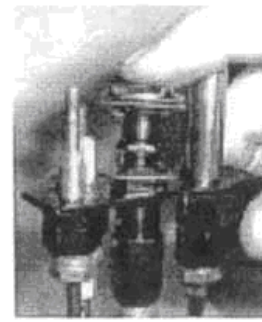
(a)



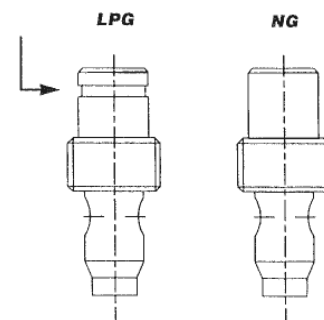
(b)



(c)



(d)



(e)



⚠ WARNING: This conversion kit must only be applied as part of a conversion kit supplied by the appliance Manufacturer for the specific appliance, and type of gas being converted.

INSTALLER NOTICE: These instructions must be left with appliance.

installation instructions

7.252.136

820 NOVA mV

Modulating Conversion Kit

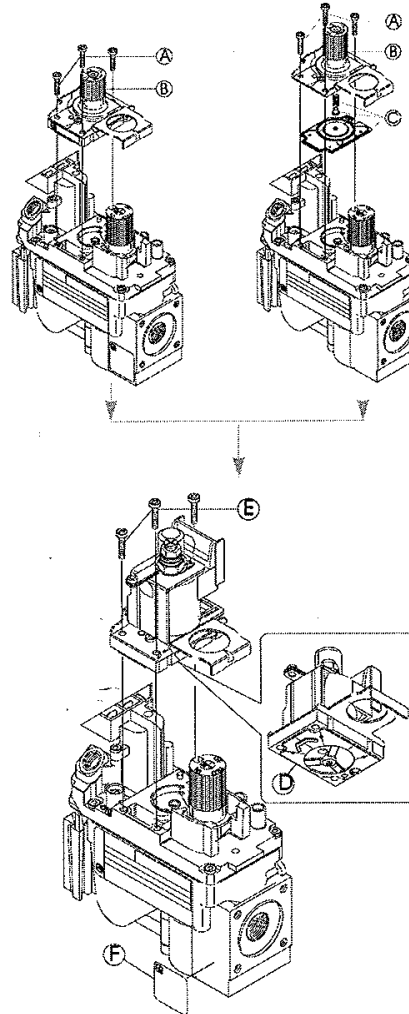


WARNING!

The installation of this conversion kit must only be undertaken by a qualified and certified gas appliance installer.

MODULATING PRESSURE REGULATOR CONVERSION KIT INSTALLATION OR REPLACEMENT INSTRUCTIONS.

- 1 Turn control knob to the OFF position, and shut off the gas supply to the valve.
- 2 Using a Torx T20, or slotted screwdriver, remove and discard the three pressure regulator mounting screws (A), pressure regulator tower (B), and the spring and diaphragm assembly (C).
(If applicable)
- 3 Insure that the rubber gasket (D) is properly positioned and install the new modulating pressure regulator assembly to the valve using the new screws (E) supplied with the kit. Tighten screws securely.
(Reference torque = 25 In.Lb.)
- 4 Install the enclosed identification label (F) to the valve body where it can be easily seen.
- 5 Apply gas to system and re-light appliance according to manufacturers instructions.
- 6 With the main burner "ON", test the new pressure regulator assembly for leaks using a soap solution.
- 7 Relight the main burner in both the HI and LO positions, and verify proper burner ignition and operation.



WARNING!

This modulating conversion kit must ONLY be applied as part of a conversion kit supplied by the APPLIANCE MANUFACTURER for the specific appliance, and type of gas, being converted.

INSTALLER NOTICE. These instructions must be left with appliance.



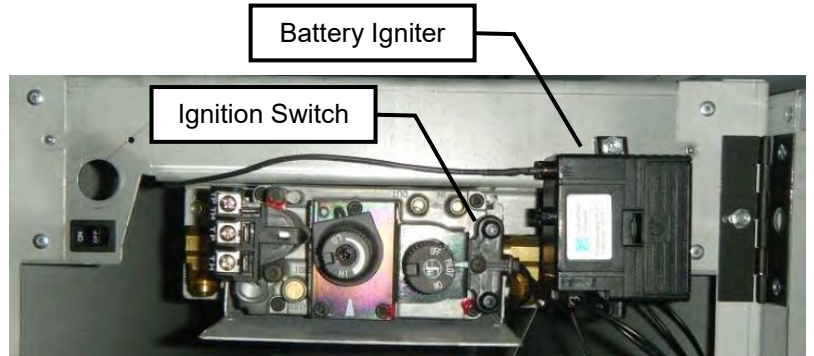
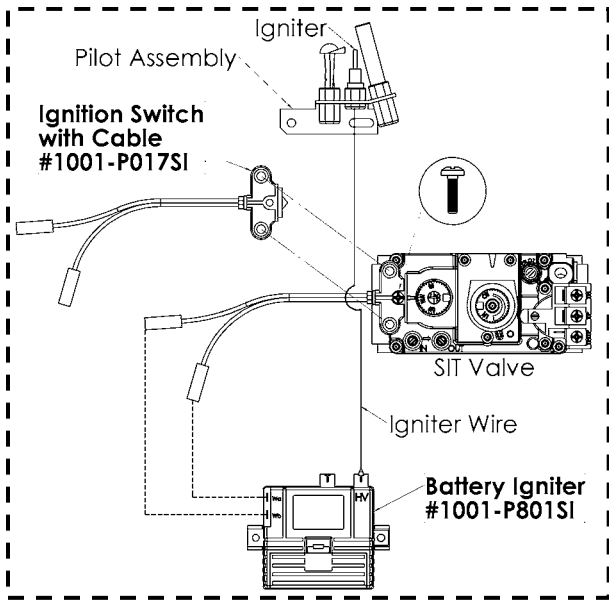
SIT Group

Optional Electronic Spark Assist

MVN / MVP Valve Systems

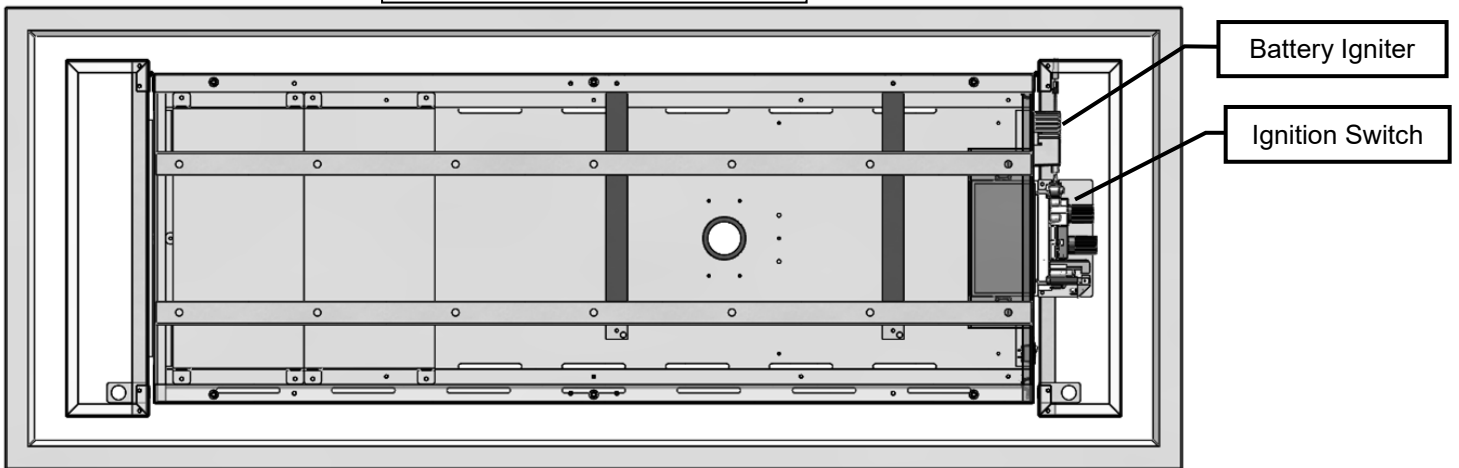
(Part Number OFP42SA)

A Battery powered module is available to assist in lighting the pilot burner. See below for installation.

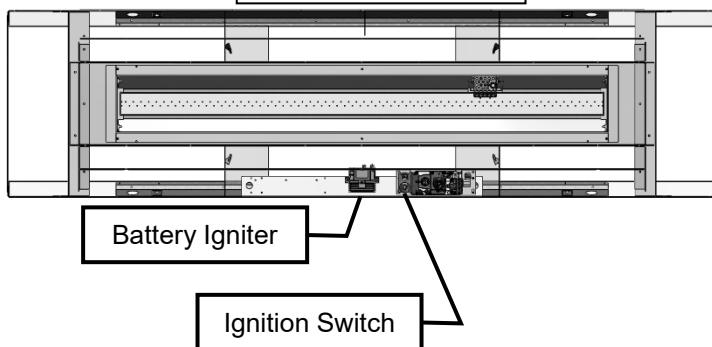


OLTN / OLTW

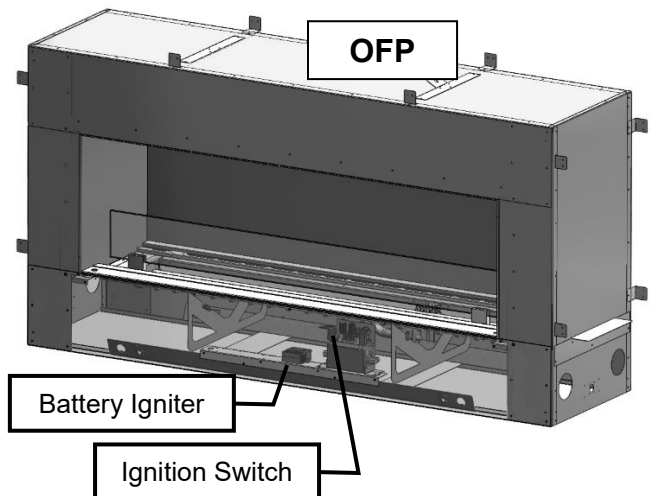
OLTN / OLTW – Top View



OFP – Top View



OFP



Outdoor Burners - Troubleshooting the Gas Control System

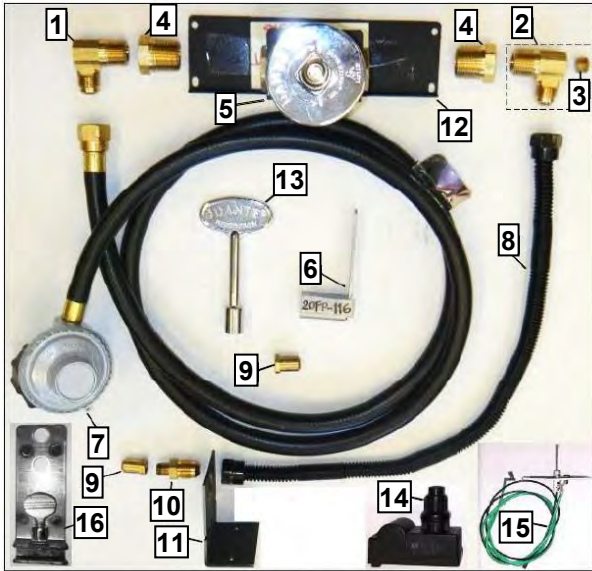
NOTE: Before troubleshooting the gas control system, be sure external gas shut off is in the "ON" position.

Problem	Possible Causes	Corrective Action
Spark igniter will not light	Defective or misaligned electrode at pilot.	Check for spark at electrode and pilot: if no spark and electrode wire is properly connected, replace igniter.
	Defective igniter (push-button)	Using a match, light pilot, If pilot lights, turn off pilot and push the red button again. If pilot will not light, check gap at electrode and pilot- gap should be 1/8" to 1/4" to have a strong spark.
Pilot will not light	Safety Switch is Depressed.	Clear any obstructions and make sure Lever Arm is not bent or damaged.
Pilot will not stay lit after carefully following lighting instructions.	Defective Valve Magnet	Turn valve knob "ON", place wall switch "ON". Millivolt meter should read greater than 100mv. If the reading is okay and the burner does not come on, replace the gas valve.
Pilot burning, no gas to burner, Valve knob "ON", Wall Switch "ON"	Wall Switch or wires defective	Check wall switch and wires for proper connections. Jumper wire across terminals at wall switch. If burner comes on, replace defective wall switch. If okay, jumper wire across wall switch wires at valve. If burner comes on, wires are faulty or connections are bad.
	Generator may not be generating sufficient voltage	Check generator with millivolt meter. Take reading at generator terminals of gas valve. Should read 325 millivolts minimum while holding valve knob depressed in pilot position and wall switch "OFF". Replace faulty generator if reading is below specified minimum.
	Plugged burner orifice	Check burner orifice for stoppage and remove.
	Defective automatic valve operator	Remove all switch wires from gas valve. Install jumper wires from TPTH and TH terminals of gas valve. Turn valve "ON". If main burner does not light, replace valve.
Frequent Pilot outage problem	Pilot flame may be too low or blowing (high) causing the pilot safety to drop out	Clean and/or adjust pilot flame for maximum flame impingement on generator.
	Windy Conditions	-Move appliance to a less windy area if possible -Use when conditions are less windy -Install a wind guard
Burners burn with yellow flame, accompanied by the smell of gas.	Possible spider web or other debris.	Thoroughly clean burner venturi.

Burners

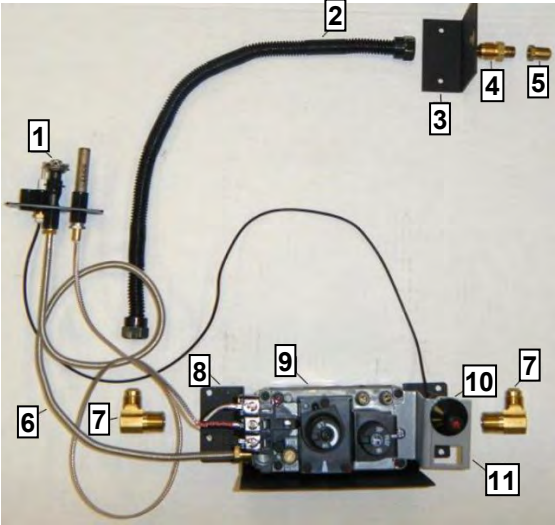
Outdoor Burners –Plumbing Parts

OB24MAP / OB36MAP / OB48MAP



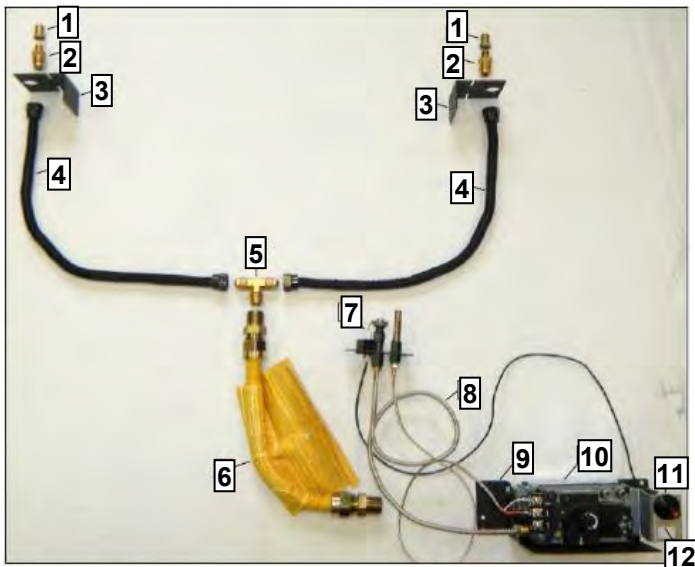
Part	Description
1.	3632HB-P496C Brass Elbow, 3/8" Tube to 3/8"NPT
2.	3632HB-P496C-M Brass Elbow, 3/8" Tube to 3/8"NPT, tapped, with Manometer Plug (30FPB-P118A) inserted
3.	30FPB-P118A Brass Manometer Plug, 1/8" NPT
4.	24L-P110DC Brass Bushing, 1/2" NPT x 3/8"FPT
5.	27FP-CPBVS 90° Ball Valve c/w Key Way Assembly (Dante)
6.	20FP-116 Key Way Installation Tool
7.	27FP-900FF LP Reg & 5ft Hose (I4T60GRQC)
8.	42MCV-P16FF 3/8" Stainless Steel Flex Connector -16" Long
9.	1000-225 Brass Orifice, NG or LP (Specify size)
10.	27FP-P904FF 3/8" Tube OD x 1/8"MPT
11.	24OB-102 Orifice Retainer Bracket
12.	24OB-105 Ball Valve Bracket
13.	30FPB-KEY Ball Valve Key
14.	24OB-P152 Push Button Igniter (Battery not included)
15.	24OB-107A Electrode Wire Assembly (c/w Mount Plate)
16.	24OB-121A Tank Retainer

OB24MVN / OB36MVN / OB48MVN



Part	Description
1.	1001-P714SI Pilot Assembly (c/w Mount Plate)
2.	42MCV-P16FF 3/8" Stainless Steel Flex Connector -16" Long
3.	24OB-102 Orifice Retainer Bracket
4.	27FP-P904FF 3/8" Tube OD x 1/8"MPT
5.	1000-225 Brass Orifice, NG or LP (Specify size). Refer to Chart in Manual
6.	26IDV-P324A Pilot Tube with Fittings
7.	3632HB-P496C (x2) Brass Elbow, 3/8" Tube to 3/8"NPT
8.	24OB-109 Valve Bracket
9.	1001-P640si Millivolt Valve NG –Hi/Lo
10.	1000-214 Piezo Igniter
11.	36HB-115 Piezo Bracket

OB72MVN / OB96MVN



Part	Description
1.	1000-225 Brass Orifice, NG or LP (Specify size). Refer to Chart in Manual
2.	27FP-P904FF 3/8" Tube OD x 1/8"MPT
3.	24OB-102 Orifice Retainer Bracket
4.	42MCV-P16FF 3/8" Stainless Steel Flex Connector -16" Long
5.	24L-P456C Brass Tee, 3/8" Tube OD x 3/8" MPT
6.	24L-P1212 1/2" Yellow Flex (c/w Connectors) – 12" Long
7.	1001-P714SI Pilot Assembly (c/w Mount Plate)
8.	26IDV-P324 Pilot Tube with Fittings
9.	24OB-109 Valve Bracket
10.	1001-P658si Millivolt Valve, 1/2" Hi Output
11.	1000-214 Piezo Igniter
12.	36HB-115 Piezo Bracket

Barbara Jean Series- Parts List

Listed for Canada and USA

NUMBER DESCRIPTION

BURNERS c/w Valve

OB24MAP	Linear Burner 24" - Manual Valve Propane* - 40,000 BTU
OB24MAN	Linear Burner 24" - Manual Valve Natural Gas - 40,000 BTU
OB24MVN	Linear Burner 24" - Millivolt Valve Natural Gas** - 40,000 BTU
OB36MAP	Linear Burner 36" - Manual Valve Propane* - 60,000 BTU
OB36MAN	Linear Burner 36" - Manual Valve Natural Gas - 60,000 BTU
OB36MVN	Linear Burner 36" - Millivolt Valve Natural Gas** - 60,000 BTU
OB48MAP	Linear Burner 48" - Manual Valve Propane* - 60,000 BTU
OB48MAN	Linear Burner 48" - Manual Valve Natural Gas - 63,500 BTU
OB48MVN	Linear Burner 48" - Millivolt Valve Natural Gas** - 80,000 BTU
OB72MVN	Linear Burner 72" - Millivolt Valve Natural Gas** - 120,000 BTU
OB96MVN	Linear Burner 96" - Millivolt Valve Natural Gas** - 156,000 BTU

*LP Manual (MAP) valve systems are shipped with an accompanying orifice for NG conversion.

**Millivolt valve systems are shipped as NG systems (MVN) and require a Conversion Kit for LP conversion.

CONVERSION KITS

24OB-CKLP	LP Conversion Kit for OB24-MVN c/w #49 Burner Orifice, Pilot Orifice, Regulator
36OB-CKLP	LP Conversion Kit for OB36-MVN c/w #43 Burner Orifice, Pilot Orifice, Regulator
48OB-CKLP	LP Conversion Kit for OB48-MVN c/w #37 Burner Orifice, Pilot Orifice, Regulator
72OB-CKLP	LP Conversion Kit for OB72-MVN c/w (Qty 2) #43 Burner Orifices, Pilot Orifice, Regulator
96OB-CKLP	LP Conversion Kit for OB96-MVN c/w (Qty 2) #37 Burner Orifices, Pilot Orifice, Regulator
24OB-CKLP5	LP Conversion Kit for OB24-MAN c/w #50 Orifice, Tank Retainer Bracket, 5' Hose & Regulator
24OB-CKLP10	LP Conversion Kit for OB24-MAN c/w #50 Orifice, Tank Retainer Bracket, 10' Hose & Regulator
36-48OB-CKLP5	LP Conversion Kit for OB36-MAN, OB48MAN c/w #43 Orifice, Tank Retainer Bracket, 5' Hose & Regulator
36-48OB-CKLP10	LP Conversion Kit for OB36-MAN, OB48MAN c/w #43 Orifice, Tank Retainer Bracket, 10' Hose & Regulator

GLASS MEDIA

5 lbs. per Foot of Burner (i.e.: 24" burner = 10lbs)

MQG5ZG	Glass Media - ZIRCON Glacier Ice - 5 lbs
MQG5A	Glass Media - 1/2" Cobalt Blue - 5 lbs

MQG5B	Glass Media - 1/2" Black - 5 lbs
MQG5C	Glass Media - 1/2" Bronze - 5 lbs
MQG5W	Glass Media - 1/2" White - 5lbs

ROCKS AND LOGS

MQRBD3	Drift Wood - Log Set - 5 pcs.
MQRBD4	Drift Wood - Log Set 3 pcs.
MQROCK2	Rock Set - Contemporary Collection - Natural
MQROCK3	Rock Set - Contemporary Collection - Multi-Colored
MQSTONE	Decorative Stones - 80 pc. Set
MQSTONE10	Decorative Stones - 10 pc. Set
RBCB1	Cannonballs - Assorted size and colors x 14

OPTIONAL ACCESSORIES

OFF42SA	Spark Assist - (AA Battery not included)
GFRC	Remote Control Millivolt - On/Off
OBUVM	Universal Valve Bracket Mount (for Custom Applications)

BURNER REPLACEMENT PARTS

24OB-100A	Replacement Burner – No Valve
36OB-100A	Replacement Burner– No Valve
48OB-100A	Replacement Burner– No Valve
24OB-FSK	Filler Strip Kit (3 Pcs.)
36OB-FSK	Filler Strip Kit (3 Pcs.)
48OB-FSK	Filler Strip Kit (3 Pcs.)
72OB-FSK	Filler Strip Kit (6 Pcs.)
96OB-FSK	Filler Strip Kit (6 Pcs.)
24OB-258	Pilot Shield

OUTDOOR FIRE STANDS

OFS24MAP	Fire Stand with Linear Burner 24" - Manual Valve Propane - 40,000 BTU
OFS24MAN	Fire Stand with Linear Burner 24" - Manual Valve Natural Gas - 40,000 BTU
OFS36MAP	Fire Stand with Linear Burner 36" - Manual Valve Propane - 60,000 BTU
OFS36MAN	Fire Stand with Linear Burner 36" - Manual Valve Natural Gas - 60,000 BTU
OFS48MAP	Fire Stand with Linear Burner 48" - Manual Valve Propane - 60,000 BTU
OFS48MAN	Fire Stand with Linear Burner 48" - Manual Valve Natural Gas - 60,000 BTU
OFS24MAP-BL	Fire Stand with Linear Burner 24" - (as above) Powder Coat Black Top
OFS24MAN-BL	Fire Stand with Linear Burner 24" - (as above) Powder Coat Black Top
OFS36MAP-BL	Fire Stand with Linear Burner 36" - (as above) Powder Coat Black Top
OFS36MAN-BL	Fire Stand with Linear Burner 36" - (as above) Powder Coat Black Top
OFS48MAP-BL	Fire Stand with Linear Burner 48" - (as above) Powder Coat Black Top
OFS48MAN-BL	Fire Stand with Linear Burner 48" - (as above) Powder Coat Black Top

OUTDOOR FIRE TABLES**TABLE BODIES**

OLT24BG	Outdoor Fire Table - Body (use 24" Burner) - Black with Gray End Doors
OLT24BB	Outdoor Fire Table - Body (use 24" Burner) - Black with Brown End Doors
OLT36BG	Outdoor Fire Table - Body (use 36" Burner) - Black with Gray End Doors
OLT36BB	Outdoor Fire Table - Body (use 36" Burner) - Black with Brown End Doors
OLT48BG	Outdoor Fire Table - Body (use 48" Burner) - Black with Gray End Doors
OLT48BB	Outdoor Fire Table - Body (use 48" Burner) - Black with Brown End Doors

TABLE TOPS

OLT24TNG	Table Top - Narrow - Black with Grey Trim - 39 1/8" L x 20 1/16" W
OLT24TNB	Table Top - Narrow - Black with Brown Trim - 39 1/8" L x 20 1/16" W
OLT24TWG	Table Top - Wide - Black with Grey Trim - 42 13/16" L x 28 5/16 W
OLT24TWB	Table Top - Wide - Black with Brown Trim - 42 13/16" L x 28 5/16 W
OLT36TNG	Table Top - Narrow - Black with Gray Trim - 51 1/8" L x 20 1/16 W
LT36TNB	Table Top - Narrow - Black with Brown Trim - 51 1/8" L x 20 1/16 W
OLT36TWG	Table Top - Wide - Black with Gray Trim - 54 13/16" L x 28 5/16 W
OLT36TWB	Table Top - Wide - Black with Brown Trim - 54 13/16" L x 28 5/16 W
OLT48TNG	Table Top - Narrow - Black with Gray Trim - 63 1/8" L x 20 1/16 W
OLT48TNB	Table Top - Narrow - Black with Brown Trim - 63 1/8" L x 20 1/16 W
OLT48TWG	Table Top - Wide - Black with Gray Trim - 66 13/16" L x 28 5/16 W
OLT48TWB	Table Top - Wide - Black with Brown Trim - 66 13/16" L x 28 5/16 W

WIND GUARDS -4 SIDED-

A Wind Guard is **Required** for Outdoor Fire Tables, and recommended for Outdoor Burners and Fire Stands.

OB24WG	Wind Guard for 24" Burners- c/w Tempered Glass [4pcs], Corner Brackets [8pcs], and Rubber Feet [4pcs]
OB36WG	Wind Guard for 36" Burners- c/w Tempered Glass [4pcs], Corner Brackets [8pcs], and Rubber Feet [4pcs]
OB48WG	Wind Guard for 48" Burners- c/w Tempered Glass [4pcs], Corner Brackets [8pcs], and Rubber Feet [4pcs]
OB72WG	Wind Guard for 72" Burners- c/w Tempered Glass [4pcs], Corner Brackets [8pcs], and Rubber Feet [4pcs]
OB96WG	Wind Guard for 96" Burners- c/w Tempered Glass [4pcs], Corner Brackets [8pcs], and Rubber Feet [4pcs]

REPLACEMENT GLASS AND BRACKETS

24G-101	Glass Panel- 5-1/2"H x 9-5/8"W
24G-102	Glass Panel- 5-1/2"H x 28-3/16"W
36G-101	Glass Panel- 5-1/2"H x 40-3/16"W
48G-101	Glass Panel- 5-1/2"H x 52-3/16"W
72G-101	Glass Panel- 5-1/2"H x 76-3/16"W
96G-101	Glass Panel- 5-1/2"H x 100-3/16"W
24G-P202	Glass Corner Bracket- c/w neoprene glass mount screws
24G-P205	Bottom Button- Rubber base for Glass Corner Bracket (24G-P202)
72G-P202	Glass Mount Bracket- c/w neoprene glass mount screws. For OFP series fireplaces.

OUTDOOR FIREPLACES

OFP4336S1	Outdoor Linear Fireplace - 36" Burner - Millivolt Natural Gas - Single Side
OFP4336S2	Outdoor Linear Fireplace - 36" Burner - Millivolt Natural Gas - See Through
OFP5548S1	Outdoor Linear Fireplace - 48" Burner - Millivolt Natural Gas - Single Side
OFP5548S2	Outdoor Linear Fireplace - 48" Burner - Millivolt Natural Gas - See Through
OFP7972S1	Outdoor Linear Fireplace - 72" Burner - Millivolt Natural Gas - Single Side
OFP7972S2	Outdoor Linear Fireplace - 72" Burner - Millivolt Natural Gas - See Through

OPTIONAL SURROUNDS

OFP43SS	Stainless Steel Surround for OFP54336S1 (1 required) or OFP4336S2 (2 required)
OFP55SS	Stainless Steel Surround for OFP5548S1 (1 required) or OFP5548S2 (2 required)
OFP79SS	Stainless Steel Surround for OFP7972S1 (1 required) or OFP7972S2 (2 required)

OPTIONAL WEATHER COVERS

OFP43WC	Stainless Steel Weather Cover for OFP54336S1 (1 required) or OFP4336S2 (2 required)
OFP55WC	Stainless Steel Weather Cover for OFP5548S1 (1 required) or OFP5548S2 (2 required)
OFP79WC	Stainless Steel Weather Cover for OFP7972S1 (1 required) or OFP7972S2 (2 required)

MISCELLANEOUS ITEMS

27FP-900FF	LP Regulator & 5ft Hose (I4T60GRQC)
24OFS-P120	LP Regulator & 10ft Hose (I6C120FS6GRQC)

LIMITED WARRANTY



Save this certificate. It gives you specific legal rights, and you may also have other rights which may vary from one province or state to another.

In the event your unit needs servicing contact your dealer or contractor who installed or services your unit. When requesting service, please have the model and serial number from each unit readily available. If your dealer needs assistance, the distributor is available for support and we, in turn support the distributor's efforts.

Fill in the installation date and model and serial numbers of the unit in the space provided below and retain this limited warranty for your files.

GENERAL TERMS

This limited warranty applies only while the unit remains at the site of the original installation and only if the unit is installed inside the continental United States, Alaska, Hawaii and Canada. The warranty applies only if the unit is installed and operated in accordance with the printed instructions and in compliance with applicable installation, building codes and good trade practices.

The burner is warranted against defects for five years. All other components such as gas valves, thermocouples, igniters, lights and media are warranted against defects for one year.

This limited warranty further does not cover any scratches, dents, painted finishes, corrosion or discoloring by heat, abrasive and chemical cleaners, nor chipping on porcelain powder coated parts.

During the first year after installation, we will provide a replacement for any component part of your unit found to be defective in materials or workmanship. The part to be replaced must be returned to our distributor in exchange for the replacement part.

In lieu of providing a replacement part, we may, at our option, provide the distributor's component purchase price from us or a credit equal to the distributor's component purchase price from us toward the purchase of any new unit which we distribute. If a credit is given in lieu of a replacement part, the rating plate from the unit being replaced must be submitted on a warranty claim and the unit being replaced must be made available to our distributor for disposition.

In establishing the date of installation for any purpose including determination of the starting date for the term of this limited warranty, reasonable proof of the original installation date must be presented*, otherwise the effective date will be based upon the date of manufacture plus thirty (30) days.

Any labor, material, freight and/or handling charges associated with any repair or replacement pursuant to this limited warranty will be your responsibility. In this warranty the word "installation" means original installation.

We will not be responsible for and you the user will pay for: (a) damages caused by accident, abuse, negligence, misuse, riot, fire, flood, or Acts of God (b) damages caused by operating the unit where there is a corrosive atmosphere containing chlorine, fluorine, or any other damaging chemicals (other than in a normal residential environment) (c) damages caused by any unauthorized alteration or repair of the unit affecting its stability or performance (d) damages caused by improper matching or application of the unit or the unit's components (e) damages caused by failing to provide proper maintenance and service to the unit (f) any expenses incurred for erecting disconnecting or dismantling the unit (g) parts or supplies used in connection with service or maintenance (h) damage repairs, inoperation or inefficiency resulting from faulty installation or application (i) electricity or fuel costs or any increase in electricity or fuel cost whatsoever including additional or unusual use of supplemental electric heat.

We shall not be liable for any incidental, consequential, or special damages or expenses in connection with any use or failure of this unit. We have not made and do not make any representation or warranty of fitness for a particular use or purpose and there is no implied condition of fitness for a particular use or purpose. We make no express warranties except as stated in this limited warranty. No one is authorized to change this limited warranty or to create for us any other obligation or liability in connections with this unit. Any implied warranties shall last for one year after the original installation. Some states and provinces do not allow the exclusion or limitation of incidental or consequential damages or do not allow limitations on how long an implied Warranty or condition lasts so the above limitations or exclusions may not apply to you. The provisions of this limited warranty are in additions to and not a modification of or subtraction from any statutory warranties and other rights and remedies provided by law.

Model No.: _____ Serial No.: _____

Date Installed: _____

*You must retain the original records that can establish the installation date of your unit.